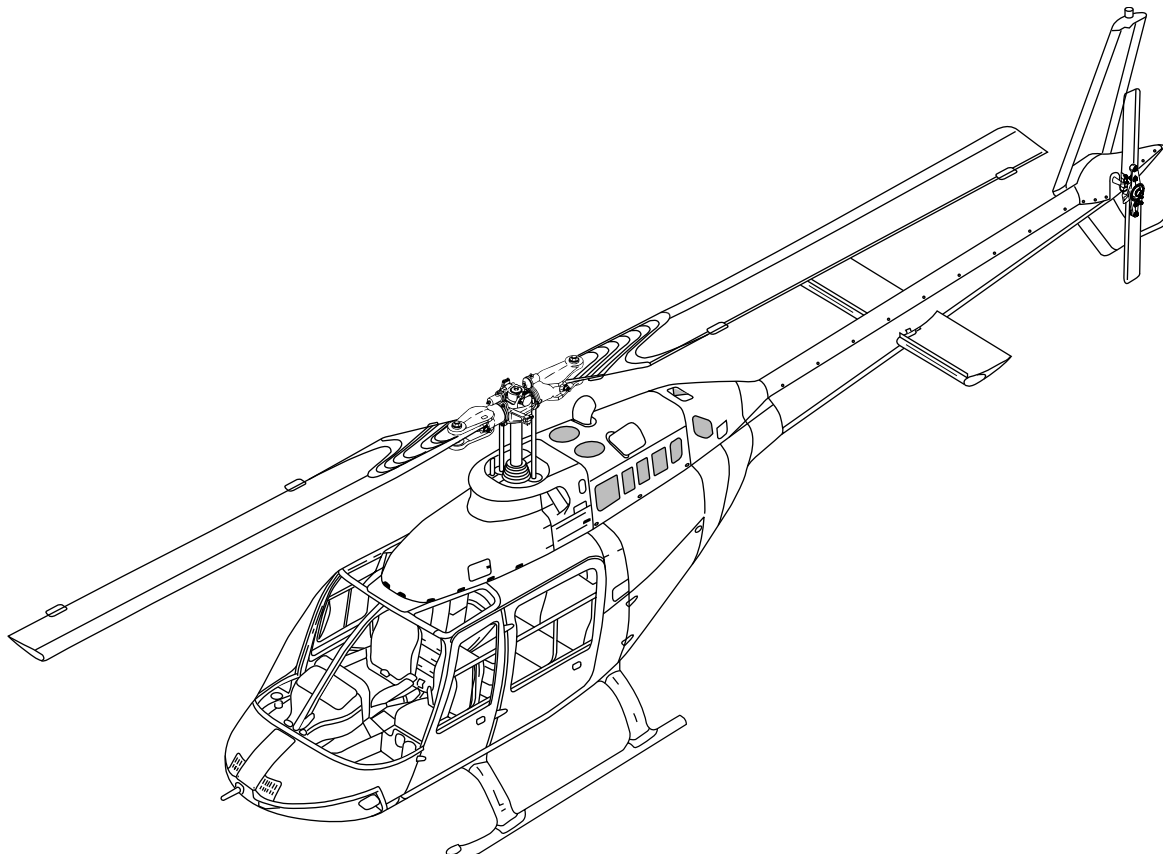


BHT-206A/B-SERIES-MM-8

Bell
MODEL **206A/B** SERIES



MAINTENANCE MANUAL

VOLUME 8

FLIGHT CONTROLS

NOTICE

The instructions set forth in this manual, as supplemented or modified by [Alert Service Bulletins \(ASB\)](#) or other directions issued by Bell Helicopter Textron Inc. and [Airworthiness Directives \(AD\)](#) issued by the applicable regulatory agencies, shall be strictly followed. This manual covers 206A, 206B, and 206B3 helicopters SN 4 through and including current production. TH-57/TH-67 helicopters are covered along with the use of manual supplements. 206B1 helicopters are not covered by this manual.

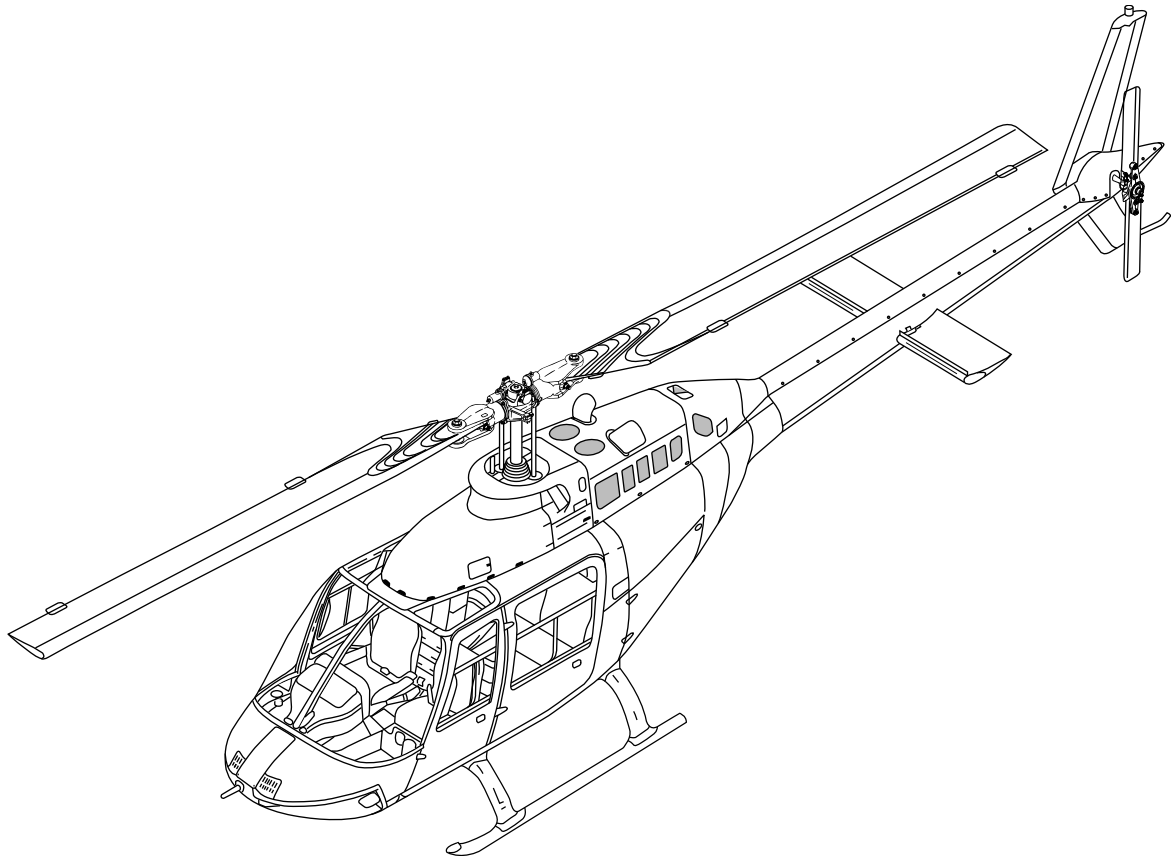
FOR MODELS 206A, 206B, AND 206B3 HELICOPTERS

Bell helicopter

A Textron Company

POST OFFICE BOX 482 • FORT WORTH, TEXAS 76101

Bell
MODEL **206A/B** SERIES



MAINTENANCE MANUAL

VOLUME 8

FLIGHT CONTROLS

NOTICE

The instructions set forth in this manual, as supplemented or modified by [Alert Service Bulletins \(ASB\)](#) or other directions issued by Bell Helicopter Textron Inc. and [Airworthiness Directives \(AD\)](#) issued by the applicable regulatory agencies, shall be strictly followed. This manual covers 206A, 206B, and 206B3 helicopters SN 4 through and including current production. TH-57/TH-67 helicopters are covered along with the use of manual supplements. 206B1 helicopters are not covered by this manual.

FOR MODELS 206A, 206B, AND 206B3 HELICOPTERS

COPYRIGHT NOTICE
COPYRIGHT 2010
BELL © HELICOPTER TEXTRON INC.
AND BELL HELICOPTER TEXTRON
CANADA LTD.
ALL RIGHTS RESERVED

Bell helicopter

A Textron Company

POST OFFICE BOX 482 • FORT WORTH, TEXAS 76101

7 JANUARY 1998
REVISION 8 — 30 JUNE 2010

PROPRIETARY RIGHTS NOTICE

These data are proprietary to Bell Helicopter Textron Inc. Disclosure, reproduction, or use of these data for any purpose other than helicopter operation or maintenance is forbidden without prior written authorization from Bell Helicopter Textron Inc.

DESTINATION CONTROL STATEMENT

These commodities, technology, or software were exported from the United States in accordance with the Export Administration Regulations (EAR). Diversion contrary to U.S. law prohibited. The data contained in this manual are classified as ECCN EAR99.

Additional copies of this publication may be obtained by contacting:
Commercial Publication Distribution Center
Bell Helicopter Textron Inc.
P. O. Box 482
Fort Worth, Texas 76101-0482