

CHAPTER 6 — DIMENSIONS AND CHARTS

CONTENTS — MAINTENANCE PROCEDURES

Paragraph Number	Title	Chapter/Section Number	Page Number
6-1	Dimensions and charts	6-00-00	3
6-2	Principal dimensions	6-00-00	3
6-3	Station diagram	6-00-00	3

FIGURES

Figure Number	Title	Page Number
6-1	Principal dimensions	4
6-2	Station diagram	6

DIMENSIONS AND CHARTS

6-1. DIMENSIONS AND CHARTS.

Principal dimensions and station locations of the helicopter are included in this chapter. Metric dimensions and station locations are included for reference.

6-2. PRINCIPAL DIMENSIONS.

Figure 6-1 illustrates the principal dimensions of the helicopter and includes a three view general arrangement drawing.

6-3. STATION DIAGRAM.

Figure 6-2 illustrates the principal fuselage stations (STA), butt lines (BL), waterlines (WL), centerlines (CL), and boom stations (BS) of the helicopter.

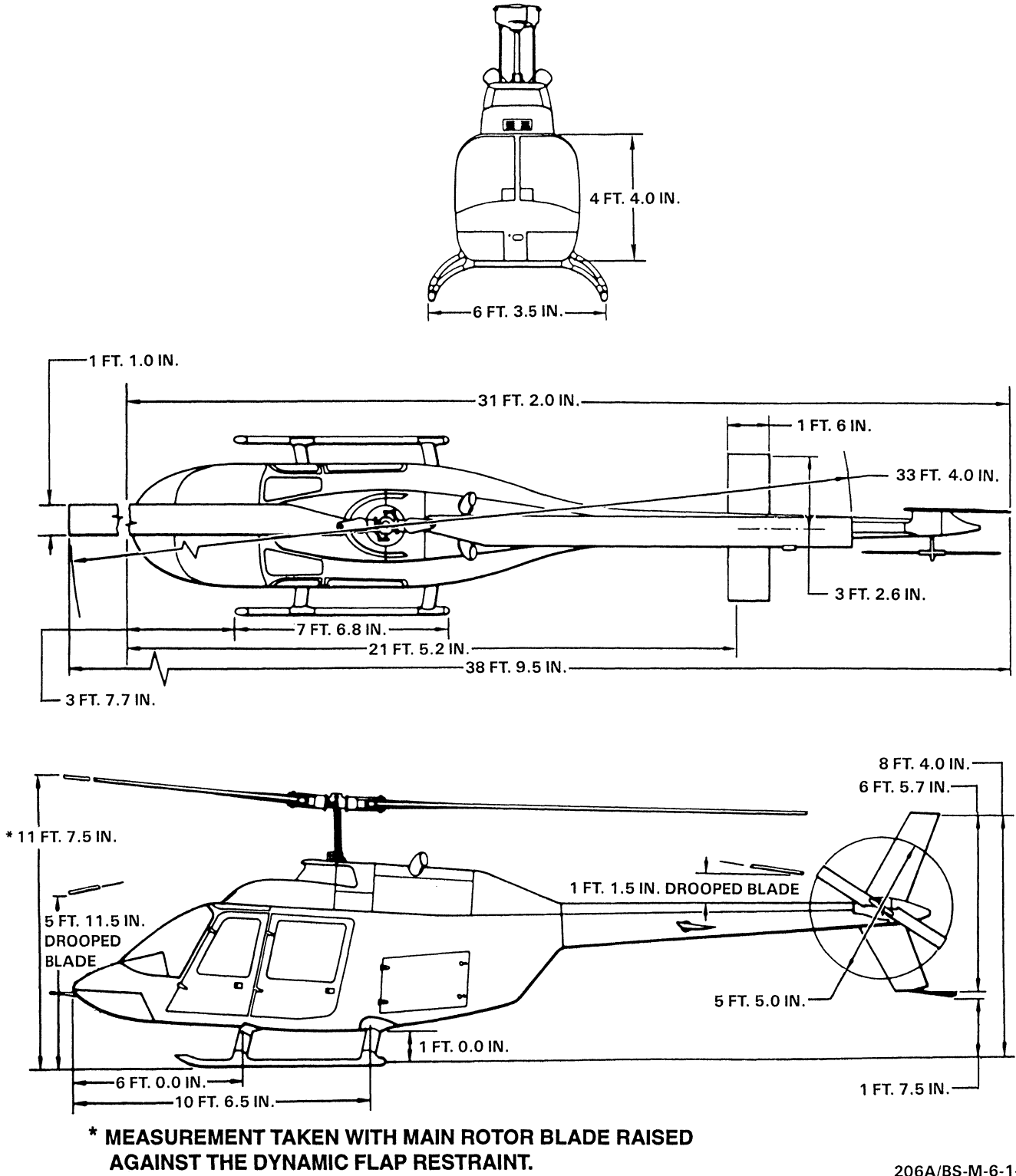
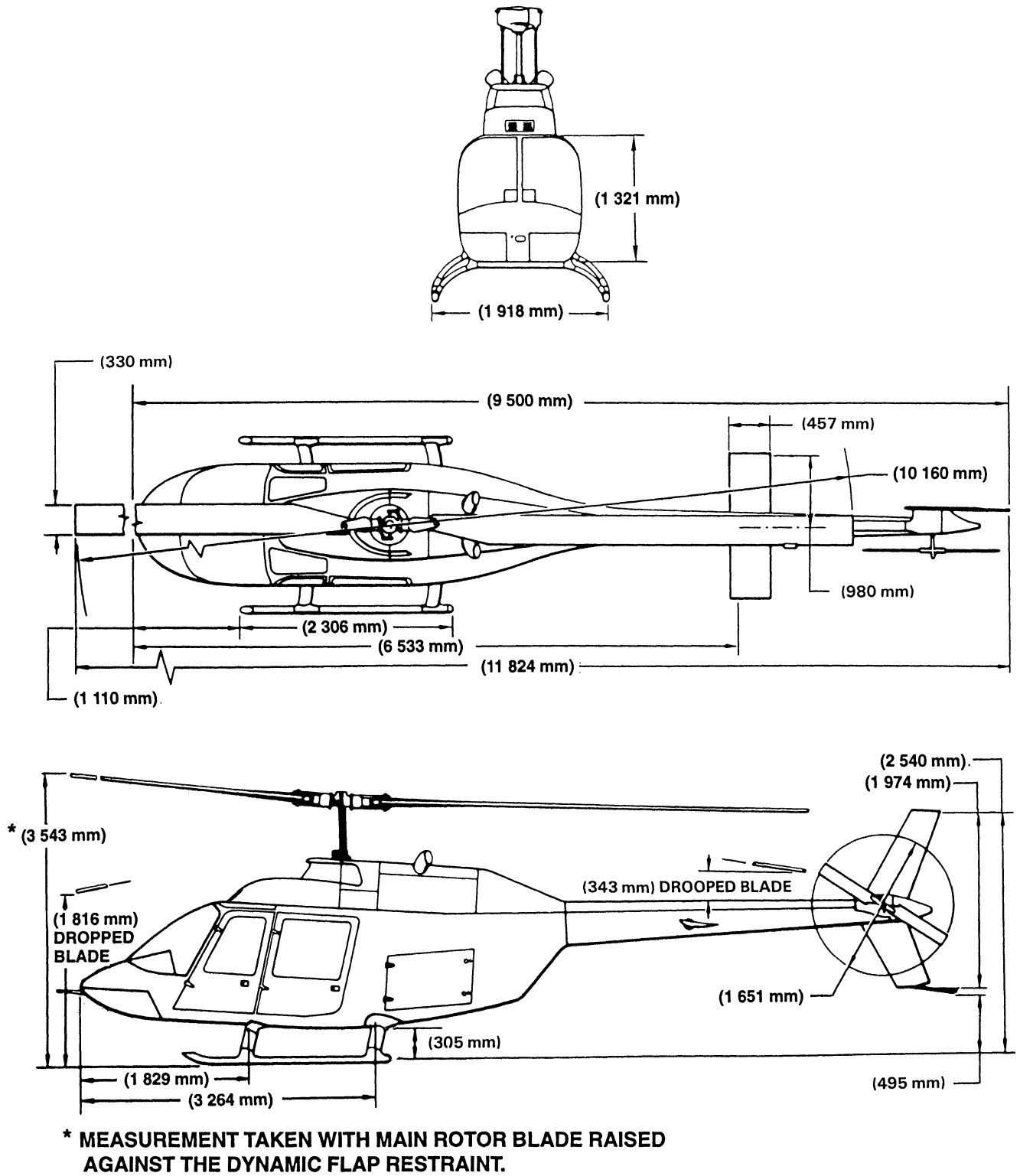


Figure 6-1. Principal dimensions — English (Sheet 1 of 2)



206A/BS-M-6-1-2

Figure 6-1. Principal dimensions — Metric (Sheet 2)

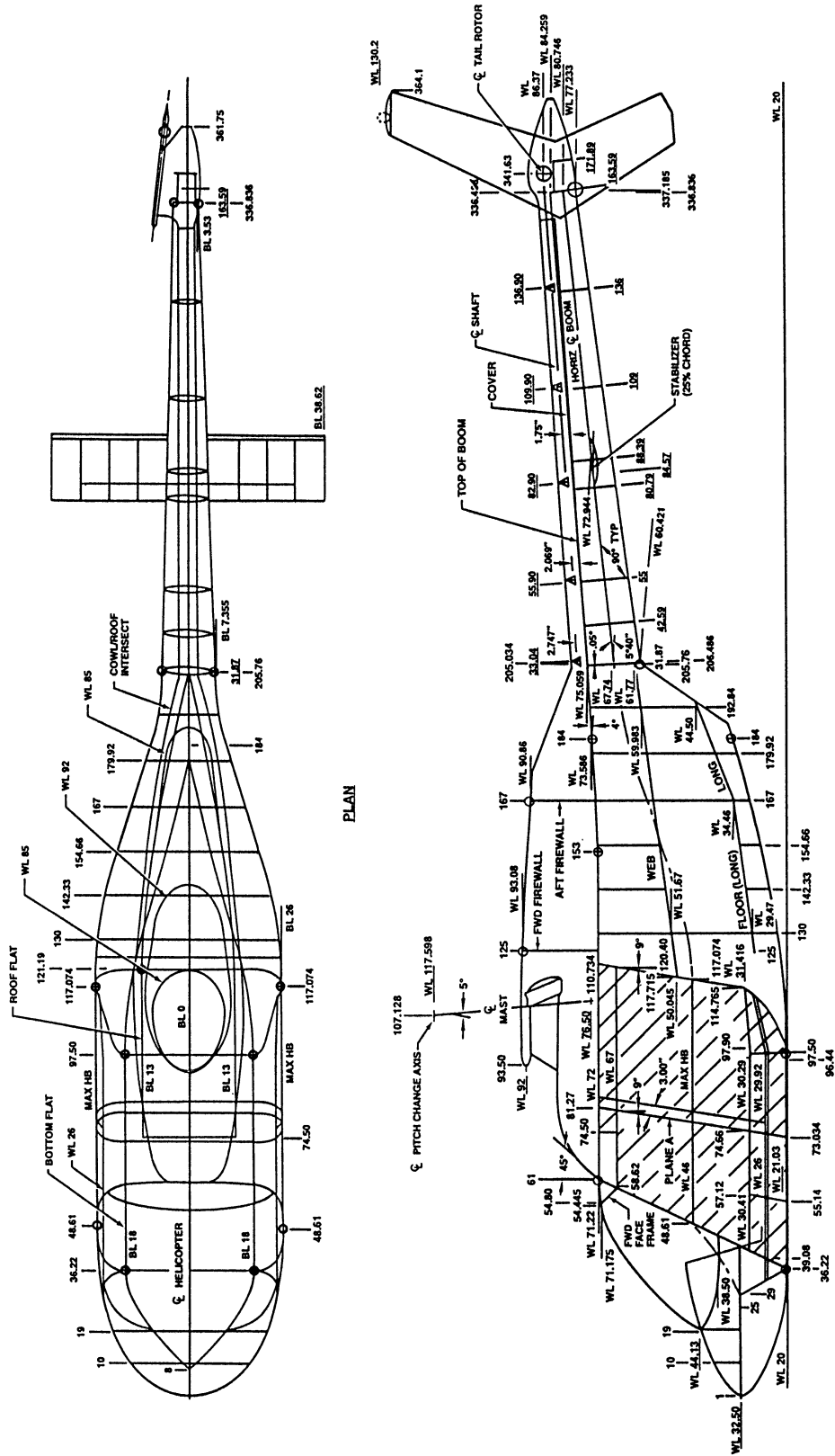
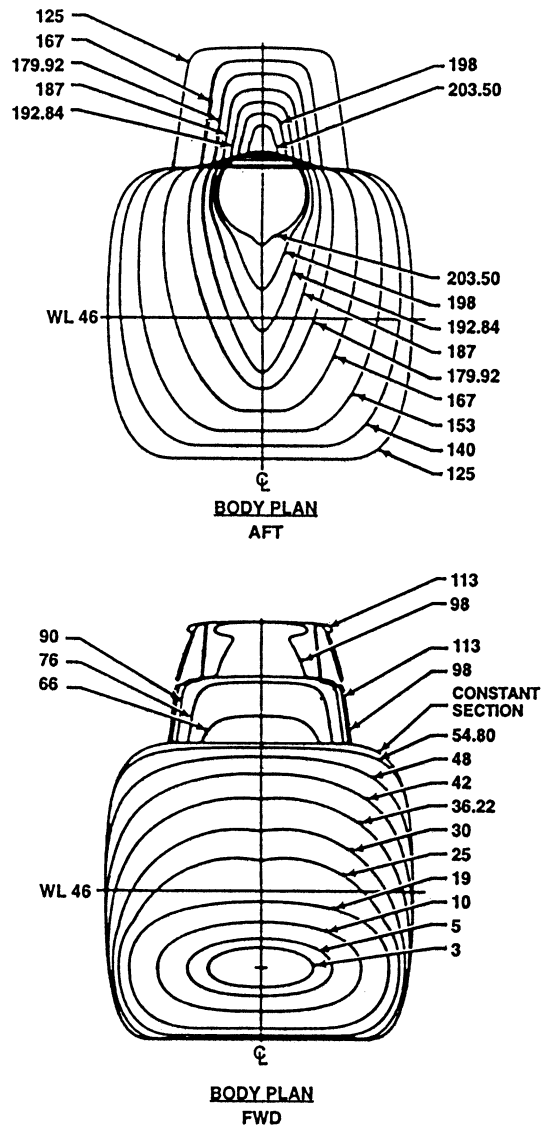


Figure 6-2. Station diagram (Sheet 1 of 2)

206A/BS-M-6-2-1



206A/BS-M-6-2-2

Figure 6-2. Station diagram (Sheet 2)

