

CHAPTER 9 — TOWING

TABLE OF CONTENTS

Paragraph Number	Title	Chapter/Section Number	Page Number
TOWING			
9-1	Towing	9-00-00	3
9-2	Towing Procedures.....	9-00-00	3

FIGURES

Figure Number	Title	Page Number
9-1	Towing	4

TOWING

9-1. TOWING

The helicopter can be equipped for towing by attaching two ground handling wheels (4, [Figure 9-1](#)) to landing gear skid tubes (3). A standard tow bar (1) may be attached to tow rings (2) provided on forward end of each landing gear skid tube.

9-2. TOWING PROCEDURES

SPECIAL TOOLS REQUIRED

NUMBER	NOMENCLATURE
T101808-101 or equivalent	Tow Bar
206-050-127	Ground Handling Wheel Assembly

- Secure main rotor blades ([Chapter 10](#)).
- Attach tow bar (1) to skid gear tow rings (2) and to towing vehicle. If helicopter is moved by hand, do not push on any part of airframe that could result in damage to helicopter, i.e., vertical fin, elevator, etc.
- Install and extend ground handling wheels (4) ([Chapter 32](#)).



DO NOT USE TAIL ROTOR TO HANDLE HELICOPTER.



WHEN TOWING HELICOPTER OBSERVE OBSTRUCTIONS TO PREVENT DAMAGE TO ROTOR BLADES AND OTHER HELICOPTER PARTS.

- Clear departure area of auxiliary support equipment, i.e., workstands, power units, etc.



TOWING HELICOPTER ON GROUND, UNPREPARED SURFACES, OR ACROSS HANGAR DOOR TRACKS AT EXCESSIVE SPEED MAY CAUSE A PERMANENT DEFLECTION IN AFT CROSSTUBE.

NOTE

To guide helicopter and balance it on ground handling wheels during towing, position one person at tail skid.

On helicopters S/N 4 through 413, a receptacle grip is provided on the right side of vertical fin.

- Tow or push slowly, balancing helicopter with tail skid (5).

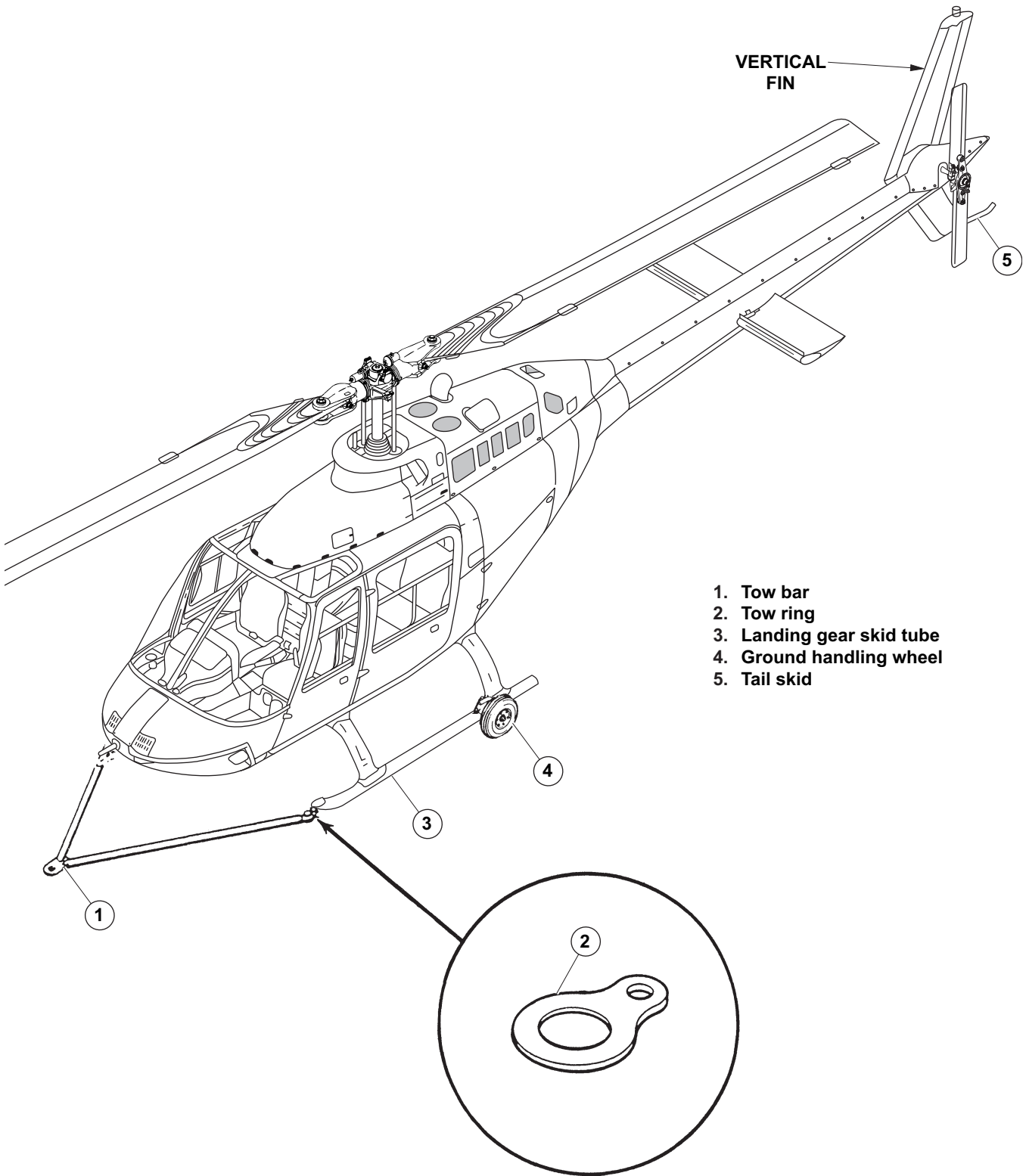


ENSURE THAT FEET ARE CLEAR OF LANDING GEAR SKID TUBE PRIOR TO LOWERING HELICOPTER.



GRASP GROUND HANDLING WHEEL BAR FIRMLY PRIOR TO REMOVING PIN. DO NOT LEAVE HELICOPTER UNATTENDED WITH GROUND HANDLING WHEELS IN EXTENDED POSITION.

- Remove pin on ground handling wheels (4), slowly lower helicopter, and remove ground handling wheels.
- Remove tow bar (1).
- Remove main rotor tie-down from main rotor ([Chapter 10](#)).



206AB_MM_09_0001

Figure 9-1. Towing