

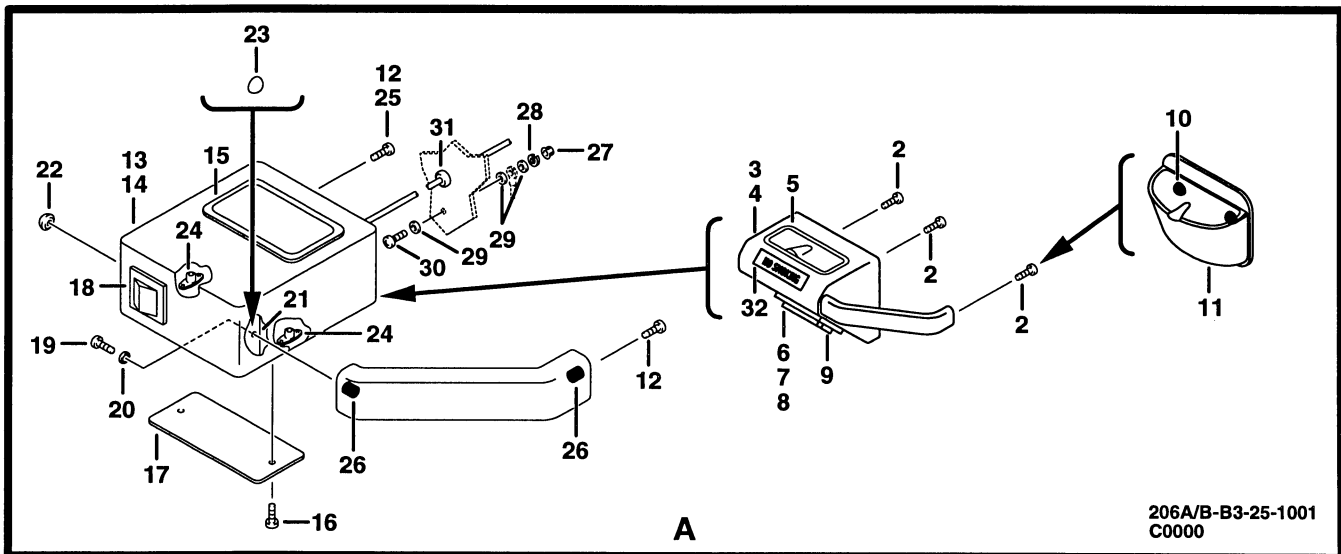
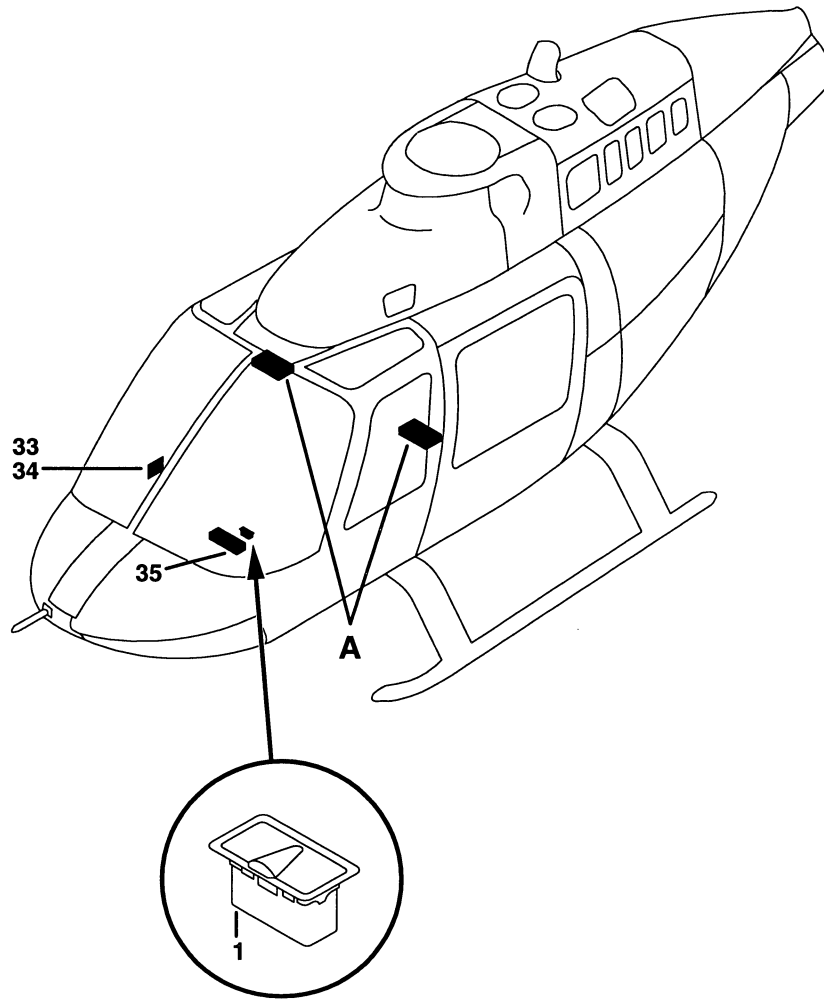
## CONTENTS - IPB

Figure Number	Figure Title	Chapter/Section Number	Page Number
25-1	Ash tray installation;interior instl, custom, utility;trim instl, custom, utility;case instl, air worthiness and regis.....	25-99-00	4
25-2	Crew seat cushion, basic (S/N 4 thru 660, 672-SUB) .....	25-99-00	8
25-3	Interior installation, utility, vinyl; seat installation, crew and passenger utility; seating kit (S/N 4 thru SUB) .....	25-99-00	12
25-4	Seat cushions, crew and passenger, custom (S/N 4 thru 3566) .....	25-99-00	18
25-5	Seat cushions, delux and custom deluxe (S/N 3567 thru SUB) .....	25-99-00	22
25-6	Interior installation, basic, trim (S/N 4 thru 660, 672 thru 3566) .....	25-99-00	26
25-7	Interior installation, utility, trim, crew (S/N 4 thru 3566) .....	25-99-00	30
25-8	Interior installation, utility trim, passenger (S/N 4 thru 3566) .....	25-99-00	34
25-9	Interior installation; trim installation, utility (S/N 4 thru 3566) .....	25-99-00	38
25-10	Interior installation, custom (S/N 4 thru 1163).....	25-99-00	44
25-11	Interior installation, custom (S/N 4 thru 1163).....	25-99-00	52
25-12	Interior installation, custom (S/N 4 thru 1163).....	25-99-00	56
25-13	Interior installation (S/N 4 thru 3566) .....	25-99-00	60
25-14	Trim installation, custom, cabin interior; carpet installation, cabin interior, custom (S/N 1164 thru 3566) .....	25-99-00	62
25-15	Trim installation, custom, cabin interior; carpet installation, cabin interior, custom (S/N 1164 thru 3566) .....	25-99-00	66
25-16	Seat installation, crew and passenger (S/N 1164 thru 3566) .....	25-99-00	72
25-17	Trim installation (S/N 3567 thru SUB) .....	25-99-00	80
25-18	Trim installation (S/N 3567 thru SUB) .....	25-99-00	84
25-19	Carpet installation, cabin interior, deluxe (S/N 1164 thru 3566) .....	25-99-00	88
25-20	Seat kit, deluxe; carpet kit, cabin interior, deluxe ...	25-99-00	90
25-21	Standard trim kit .....	25-99-00	94
25-22	Carpet installation, utility; carpet installation, cabin interior (S/N 1164 thru 3566) .....	25-99-00	96
25-23	Seat belt installation, crew and passenger (S/N 4 thru 3121) .....	25-99-00	100
25-24	Shoulder harness and inertia reel installation (S/N 4 thru 3566) .....	25-99-00	104
25-25	Support adapter, inertia reel, equipment kit.....	25-99-00	106



CONTENTS - IPB

<b>Figure Number</b>	<b>Figure Title</b>	<b>Chapter/Section Number</b>	<b>Page Number</b>
25-26	Restraint installation, crew and passenger; headrest installation, crew (S/N 3122 thru 3566) .....	25-99-00	108
25-27	Restraint installation, crew and passenger (S/N 3567 thru SUB) .....	25-99-00	112
25-28	Soundproofing blanket kit.....	25-99-00	116
25-29	Soundproofing installation .....	25-99-00	122



206A/B-B3-25-1001  
C0000

Figure 25-1. Ash tray installation;interior instl, custom, utility;trim instl, custom, utility;case instl, air worthiness and regis

(1) INDEX NUMBER	(2) PART NUMBER	(3) ITEM NAME	(4) UNIT PER ASSY	(5) A V A I L	(6) U O C
		<b>FIGURE: 25-1. Ash tray installation;interior instl, custom, utility;trim instl, custom, utility;case instl, air worthiness and regis</b>			
	206-070-622-001	ASH TRAY INSTL . . . . .	1		
	206-070-755-001	ASH TRAY INSTL . . . . .	1		
1	S1050	.ASHTRAY . . . . .	1		A
1	S17-AR-RT-CC	.ASH TRAY (REPLACED BY 10-008-1) . . . . .	1		E
1	10-008-1	.ASH TRAY (REPLACES S17-AR-RT-CC) . . . . .	1		E
	206-070-795-001	INTERIOR INSTL, CUSTOM, VINYL (SEE FIG. . . . . 4, 10, 11, 12 FOR BALANCE OF BREAKDOWN)	1		
	206-070-795-003	INTERIOR INSTL, CUSTOM, VINYL (SEE FIG. . . . . 4, 10, 11, 12 FOR BALANCE OF BREAKDOWN)	1		
	206-070-795-005	INTERIOR INSTL, CUSTOM, VINYL (SEE FIG. . . . . 4, 10, 11, 12 FOR BALANCE OF BREAKDOWN)	1		
	206-070-795-007	INTERIOR INSTL, CUSTOM, VINYL (SEE FIG. . . . . 4, 10, 11, 12 FOR BALANCE OF BREAKDOWN)	1		
	206-070-795-009	INTERIOR INSTL, UTILITY, VINYL (SEE FIG. 3, 7, 8, 9 . . FOR BALANCE OF BREAKDOWN)	1		
	206-070-795-011	INTERIOR INSTL, UTILITY, VINYL (SEE FIG. 3, 7, 8, 9 . . FOR BALANCE OF BREAKDOWN)	1		D
	206-070-795-013	INTERIOR INSTL, BASIC, VINYL (SEE FIG. 2, 6, 13 FOR . BALANCE OF BREAKDOWN)	1		
	206-072-500-001	TRIM INSTL, UTILITY (SEE FIG. 7, 8, 9 FOR BALANCE . . . OF BREAKDOWN)	1		
	206-072-500-003	TRIM INSTL, UTILITY (SEE FIG. 7, 8, 9 FOR BALANCE . . . OF BREAKDOWN)	1		
	206-072-500-005	TRIM INSTL, UTILITY (SEE FIG. 7, 8, 9 FOR BALANCE . . . OF BREAKDOWN)	1		
	206-072-500-103	TRIM INSTL, UTILITY (SEE FIG. 7, 8, 9 FOR BALANCE . . . OF BREAKDOWN)	1		
	206-072-501-001	TRIM INSTL, CUSTOM (SEE FIG. 14, 15 FOR BALANCE OF . . BREAKDOWN)	1		
	206-072-501-005	TRIM INSTL, CUSTOM (SEE FIG. 14, 15 FOR BALANCE OF . . BREAKDOWN) (REPLACED BY 206-072-501-105)	1		
	206-072-501-105	TRIM INSTL, CUSTOM (SEE FIG. 14, 15 FOR BALANCE OF . . BREAKDOWN) (REPLACES 206-072-501-005)	1		
	206-072-501-103	TRIM INSTL, CUSTOM (SEE FIG. 14, 15 FOR BALANCE OF . . BREAKDOWN)	1		
2	AN520-10R8	.SCREW (REPLACED BY MS35207-263) . . . . .	6		D
2	MS35207-263	.SCREW (REPLACES AN520-10R8) . . . . .	6		D
2	MS35207-261	.SCREW . . . . .	6		K
3	206-070-727-001	.ASH TRAY ASSY, LH (REPLACED BY 206-070-063-101) . .	1		G
4	206-070-727-002	.ASH TRAY ASSY, RH (REPLACED BY 206-070-063-102) . .	1		G
5	52540	..ASH TRAY (REPLACED BY 56102) . . . . .	1		G
5	56102	..ASH TRAY (REPLACES 52540) . . . . .	1		G
6	10-0097-2	..COURTESY LIGHT WITH SWITCH, LH . . . . .	1		G
7	10-0097-1	..COURTESY LIGHT WITH SWITCH, RH . . . . .	1		G
8	1864	...LAMP . . . . .	1		G
9	8914K56	...SWITCH . . . . .	1		G
	206-070-756-001	.ASH TRAY INSTL, PASSENGER, LH . . . . .	1		
	206-070-756-003	.ASH TRAY INSTL, PASSENGER, LH . . . . .	1		

(1) INDEX NUMBER	(2) PART NUMBER	(3) ITEM NAME	(4) UNIT PER ASSY	(5) A V A I L	(6) U O C
		<b>FIGURE: 25-1. Ash tray installation;interior instl, custom, utility;trim instl, custom, utility;case instl, air worthiness and regis (Cont'd)</b>			
	206-070-756-002	.ASH TRAY INSTL, PASSNEGER, RH . . . . .	1		
	206-070-756-004	.ASH TRAY INSTL, PASSENGER, RH . . . . .	1		
10	AN520-10R8	..SCREW (REPLACED BY MS35207-263) . . . . .	2		H
10	MS35207-263	..SCREW (REPLACES AN520-10R8) . . . . .	2		H
11	S-18-AR-RT-CP	..ASH TRAY . . . . .	1		L
12	MS35207-261	..SCREW . . . . .	4		H
13	206-070-063-101	.ASH TRAY ASSY, CUSTOM TRIM, LH (REPLACES . . . . . 206-070-727-001)	1		G
13	206-070-063-103	.ASH TRAY ASSY, CUSTOM TRIM, LH . . . . .	1		L
14	206-070-063-102	.ASH TRAY ASSY, CUSTOM TRIM, RH (REPLACES . . . . . 206-070-727-002)	1		G
14	206-070-063-104	.ASH TRAY ASSY, CUSTOM TRIM, RH . . . . .	1		L
15	3130-4	..ASHTRAY . . . . .	1		H
16	MS35214-25	..SCREW . . . . .	2		G
17	15-0432-1	..LIGHT PANEL (REFERENCE DESIGNATOR I13, I14) . . . . .	1		G
18	SC2CXN191-96	..SWITCH (REFERENCE DESIGNATOR S30, S31) . . . . .	1		G
	206-070-062-101	..HOUSING ASSY, LH . . . . .	1		G
	206-070-062-109	..HOUSING ASSY, LH . . . . .	1		L
	206-070-062-102	..HOUSING ASSY, RH . . . . .	1		G
	206-070-062-110	..HOUSING ASSY, RH . . . . .	1		L
19	MS35207-261	..SCREW . . . . .	1		G
20	MS35333-73	..WASHER . . . . .	1		G
21	20-042-12-12	..RADIUS BLOCK . . . . .	1		G
22	100-046S24A2	..PLUG BUTTON . . . . .	1		G
23	100-046S24A2	..PLUG BUTTON . . . . .	1		L
24	MS21075L06	..NUTPLATE (REPLACED BY MS21075L06N) . . . . .	2		G
24	MS21075L06N	..NUTPLATE (REPLACES MS21075L06) . . . . .	2		G
	206-070-062-103	..BODY ASSY, LH . . . . .	1		
	206-070-062-104	..BODY ASSY, RH . . . . .	1		
	206-070-062-105	..BASE . . . . .	1		
25	80-021-3	.... INSERT . . . . .	2		
	206-070-062-107	..HANDLE ASSY . . . . .	1		G
26	80-021-3	.... INSERT . . . . .	2		
	206-075-734-101	..ELECTRICAL INSTL, ASH TRAY . . . . .	1		
	206-075-734-103	..ELECTRICAL INSTL, ASH TRAY . . . . .	1		
	206-075-734-109	..ELECTRICAL INSTL, ASH TRAY . . . . .	1		
27	MS21042L08	..NUT . . . . .	2		L
28	MS35338-42	..WASHER . . . . .	2		L
29	AN960D8L	..WASHER . . . . .	6		L
30	MS27039-0807	..SCREW . . . . .	2		L
31	MS35489-4	..GROMMET . . . . .	2		L
32	206-070-612-001	..DECAL (NO SMOKING) . . . . .	2		C
	206-070-625-001	CASE INSTL, AIR WORTHINESS AND REGISTRATION . . . . . CERTIFICATE	1		
	206-070-625-003	CASE INSTL, AIR WORTHINESS AND REGISTRATION . . . . . CERTIFICATE	1		
33	AN960-4	..WASHER . . . . .	4		B
33	AN960JD4L	..WASHER . . . . .	4		F

(1) INDEX NUMBER	(2) PART NUMBER	(3) ITEM NAME	(4) UNIT PER ASSY	(5) A V A I L	(6) U O C																																				
34	047-739-367-1	<p><b>FIGURE: 25-1. Ash tray installation;interior instl, custom, utility;trim instl, custom, utility;case instl, air worthiness and regis (Cont'd)</b></p> <p>.CASE INSTL, CERTIFICATE OF REGISTRATION . . . . .</p>	1																																						
35	70500	FIRST AID KIT (REPLACED BY 1431311-1) . . . . .	1		J																																				
35	1431311-1	FIRST AID KIT (REPLACES 70500) . . . . .	1		J																																				
<p style="text-align: center;">USABLE ON CODES</p> <table border="0"> <thead> <tr> <th style="text-align: left;">CODE</th> <th style="text-align: left;">MODEL</th> <th style="text-align: left;">SERIAL NUMBER</th> </tr> </thead> <tbody> <tr><td>A</td><td>206A</td><td>4-103</td></tr> <tr><td>B</td><td>206A</td><td>4-153</td></tr> <tr><td>C</td><td>206A</td><td>414-583</td></tr> <tr><td>D</td><td>206A</td><td>414-715</td></tr> <tr><td>E</td><td>206A/B/BIII</td><td>104-SUB</td></tr> <tr><td>F</td><td>206A/B/BIII</td><td>154-SUB</td></tr> <tr><td>G</td><td>206A/B/BIII</td><td>4-715,1164-3121</td></tr> <tr><td>H</td><td>206A/B/BIII</td><td>414-715,1164-3566</td></tr> <tr><td>J</td><td>206A/B/BIII</td><td>414-SUB</td></tr> <tr><td>K</td><td>206B/BIII</td><td>1164-3121</td></tr> <tr><td>L</td><td>206BIII</td><td>3122-3566</td></tr> </tbody> </table>						CODE	MODEL	SERIAL NUMBER	A	206A	4-103	B	206A	4-153	C	206A	414-583	D	206A	414-715	E	206A/B/BIII	104-SUB	F	206A/B/BIII	154-SUB	G	206A/B/BIII	4-715,1164-3121	H	206A/B/BIII	414-715,1164-3566	J	206A/B/BIII	414-SUB	K	206B/BIII	1164-3121	L	206BIII	3122-3566
CODE	MODEL	SERIAL NUMBER																																							
A	206A	4-103																																							
B	206A	4-153																																							
C	206A	414-583																																							
D	206A	414-715																																							
E	206A/B/BIII	104-SUB																																							
F	206A/B/BIII	154-SUB																																							
G	206A/B/BIII	4-715,1164-3121																																							
H	206A/B/BIII	414-715,1164-3566																																							
J	206A/B/BIII	414-SUB																																							
K	206B/BIII	1164-3121																																							
L	206BIII	3122-3566																																							
<p>1) UNLESS A USABLE ON PART NUMBER IS LISTED IN THE ITEM NAME COLUMN; NO CODE INDICATES THE PART APPLIES TO ALL SERIAL NUMBERS.</p> <p>2) IF THE SERIAL NUMBER IS BLANK THE PART APPLIES TO ALL SERIAL NUMBERS FOR THAT MODEL.</p>																																									

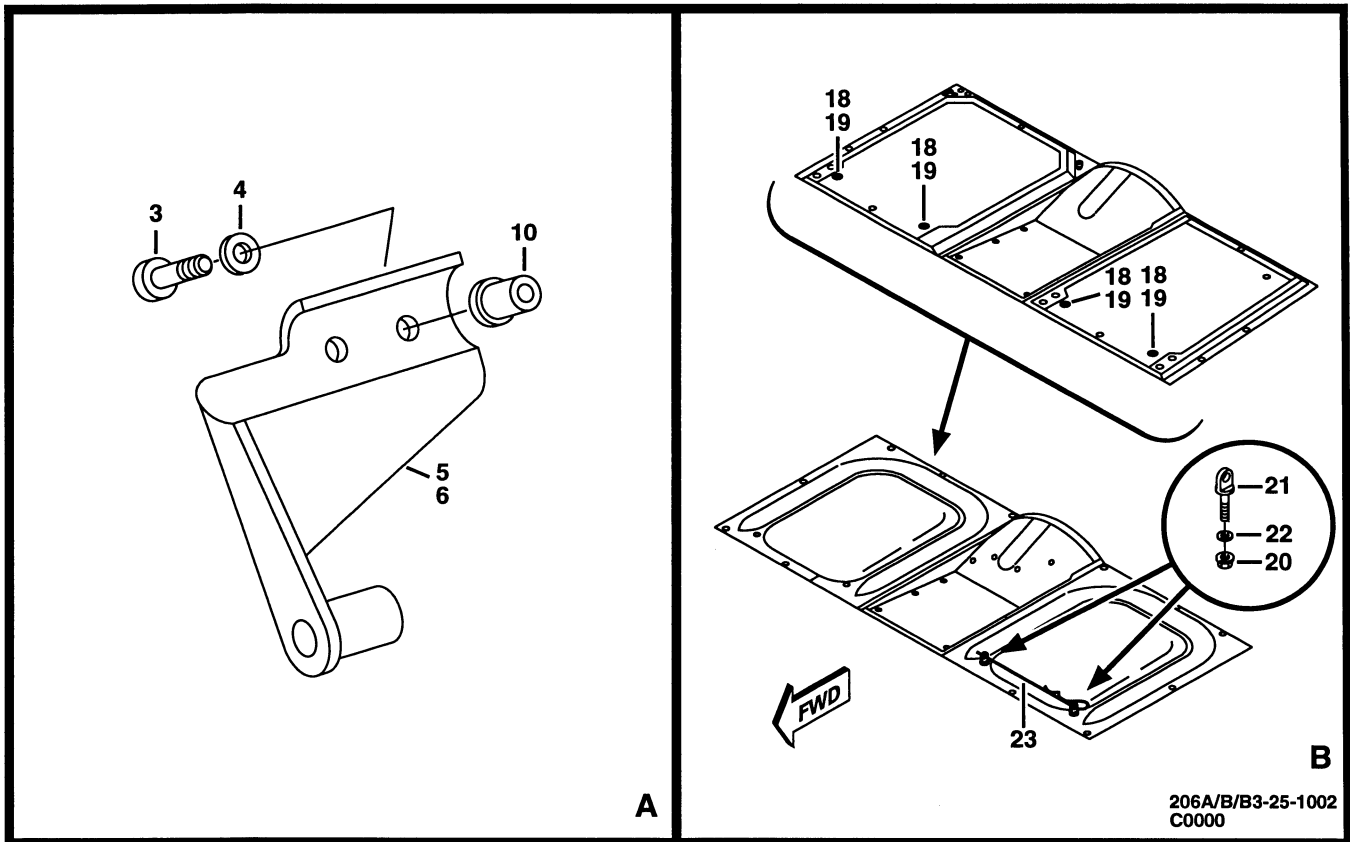
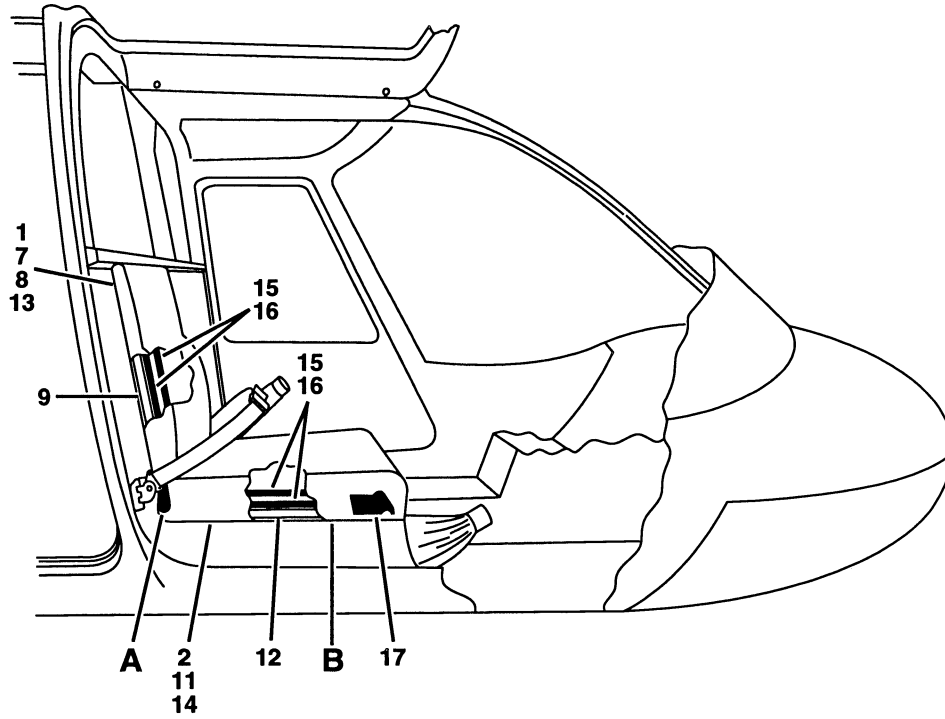


Figure 25-2. Crew seat cushion, basic (S/N 4 thru 660, 672-SUB)



(1) INDEX NUMBER	(2) PART NUMBER	(3) ITEM NAME	(4) UNIT PER ASSY	(5) A V A I L	(6) U O C
		<b>FIGURE: 25-2. Crew seat cushion, basic (S/N 4 thru 660, 672-SUB)</b>			
	206-070-795-013	INTERIOR INSTL, BASIC (SEE FIG. 1,6,13 FOR . . . . . BALANCE OF BREAKDOWN)	1		
1	206-705-103-101	ECONOMY SEAT, VINYL . . . . .	1		
	206-070-728-013	.CUSHION ASSY, CREW SEAT BACK (NOTE 1) . . . . . (ALTERNATE PART)	1		A
1	206-070-728-017	.CUSHION ASSY, CREW SEAT BACK (NOTE 1) . . . . .	1		A
2	206-070-729-009	.CUSHION ASSY, CREW SEAT BOTTOM (NOTE 1) . . . . .	1		A
	206-072-216-101	.SEAT ASSY . . . . .	1		C
3	MS35274-63	..SCREW . . . . .	4		
4	AN960XC10L	..WASHER . . . . .	8		
5	206-072-215-101	..SUPPORT, LH . . . . .	1		
6	206-072-215-102	..SUPPORT, RH . . . . .	1		
7	206-072-216-105	..SEAT ASSY, CREW SEAT BACK (NOTE 1) . . . . .	1		
8	206-072-216-113	...CUSHION ASSY . . . . .	1		
9	206-072-213-101	...FRAME ASSY . . . . .	1		
10	NAS1329C3K80	....RIVNUT, BLIND . . . . .	4		
11	206-072-216-103	..SEAT ASSY, CREW SEAT BOTTOM (NOTE 1) (REPLACED . . BY 206-072-334-103)	1		
11	206-072-334-103	..SEAT ASSY, CREW SEAT BOTTOM (NOTE 1) (REPLACES . . 206-072-216-103)	1		
12	206-072-212-101	..FRAME ASSY (REPLACED BY 206-072-212-103) . . . . .	1		
12	206-072-212-103	..FRAME ASSY (REPLACES 206-072-212-101) . . . . .	1		
13	206-072-247-001	.COVER, CREW SEAT BACK (NOTE 1) . . . . .	1		C
14	206-072-246-001	.COVER, CREW SEAT BOTTOM (NOTE 1) . . . . .	1		C
15	50-029-8B	PILE . . . . .	4		
16	50-029-7B	HOOK . . . . .	4		
17	206-072-295-101	CLIP (POST TB 206-87-125) . . . . .	2		C
18	P196D10-1	PLUG (REPLACED BY 80-013-P3D1-9) . . . . .	2		B
18	80-013-P3D1-9	PLUG (REPLACES P196D10-1) . . . . .	2		B
19	S196F1032-08	SLEEVE (REPLACED BY 80-013S3F08-9) . . . . .	2		B
19	80-013S3F08-9	SLEEVE (REPLACES S196F1032-08) . . . . .	2		B
20	MS21042L3	NUT . . . . .	2		C
21	AN42B-5A	EYEBOLT . . . . .	2		C
22	AN960JD10	WASHER . . . . .	6		C
	206-072-244-101	RESTRAINT INSTL, CREW AND PASSENGER (SEE FIG. . . . . 3, 5, 27 FOR BALANCE OF BREAKDOWN)	1		
	206-072-244-103	RESTRAINT INSTL, CREW AND PASSENGER (SEE FIG. . . . . 3, 5, 27 FOR BALANCE OF BREAKDOWN)	1		
	206-072-244-105	RESTRAINT INSTL, CREW AND PASSENGER (SEE FIG. . . . . 3, 5, 27 FOR BALANCE OF BREAKDOWN)	1		
23	206-072-221-101	.PIN . . . . .	2		C
		NOTE 1: WHEN ORDERING SPECIFY HELICOPTER MODEL AND SERIAL NUMBER			



(1) INDEX NUMBER	(2) PART NUMBER	(3) ITEM NAME	(4) UNIT PER ASSY	(5) A V A I L	(6) U O C												
		<p><b>FIGURE: 25-2. Crew seat cushion, basic (S/N 4 thru 660, 672-SUB) (Cont'd)</b></p> <p style="text-align: center;">USABLE ON CODES</p> <table border="0" style="margin-left: auto; margin-right: auto;"> <thead> <tr> <th style="text-align: left;">CODE</th> <th style="text-align: left;">MODEL</th> <th style="text-align: left;">SERIAL NUMBER</th> </tr> </thead> <tbody> <tr> <td>A</td> <td>206A/B/BIII</td> <td>4-660, 672-3566</td> </tr> <tr> <td>B</td> <td>206A/B/BIII</td> <td>104-3566</td> </tr> <tr> <td>C</td> <td>206BIII</td> <td>3567-SUB</td> </tr> </tbody> </table> <p>1) UNLESS A USABLE ON PART NUMBER IS LISTED IN THE ITEM NAME COLUMN; NO CODE INDICATES THE PART APPLIES TO ALL SERIAL NUMBERS.</p> <p>2) IF THE SERIAL NUMBER IS BLANK THE PART APPLIES TO ALL SERIAL NUMBERS FOR THAT MODEL.</p>	CODE	MODEL	SERIAL NUMBER	A	206A/B/BIII	4-660, 672-3566	B	206A/B/BIII	104-3566	C	206BIII	3567-SUB			
CODE	MODEL	SERIAL NUMBER															
A	206A/B/BIII	4-660, 672-3566															
B	206A/B/BIII	104-3566															
C	206BIII	3567-SUB															

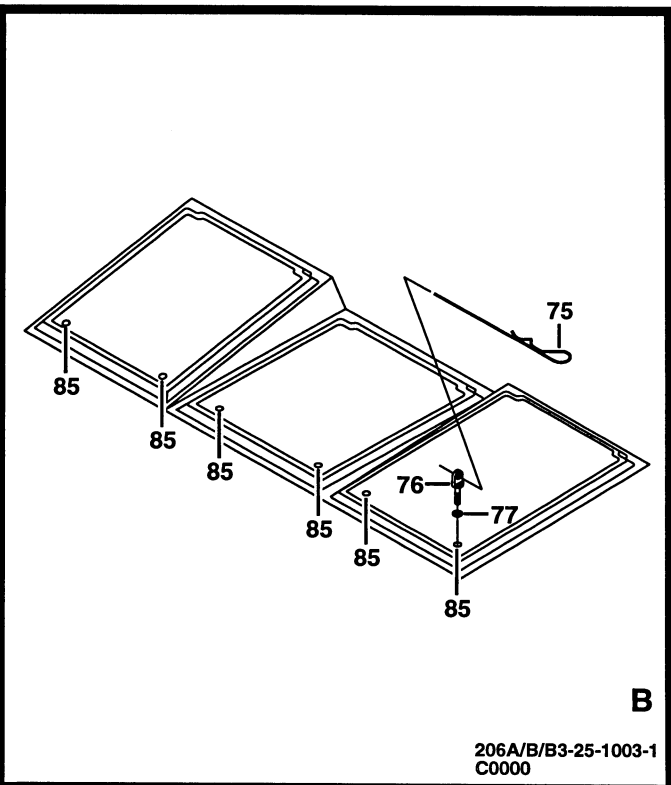
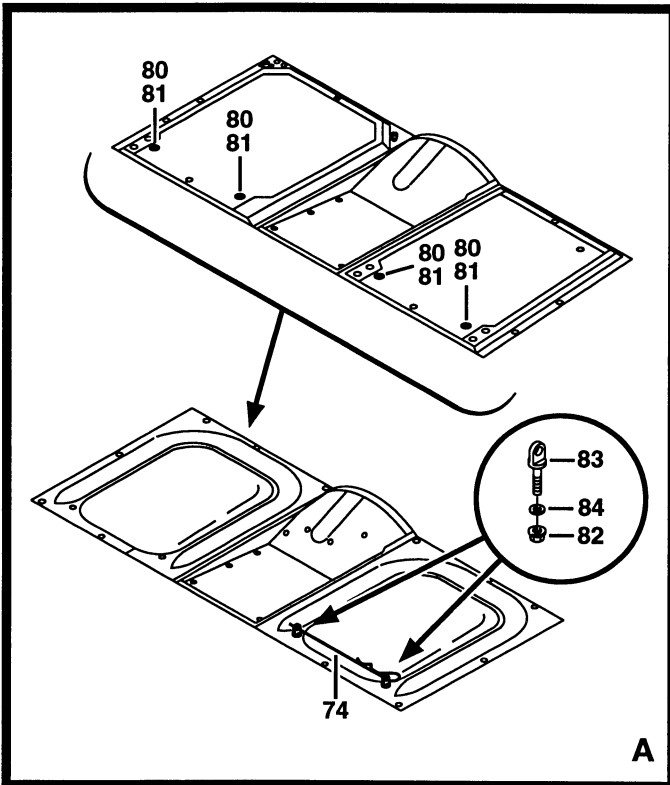
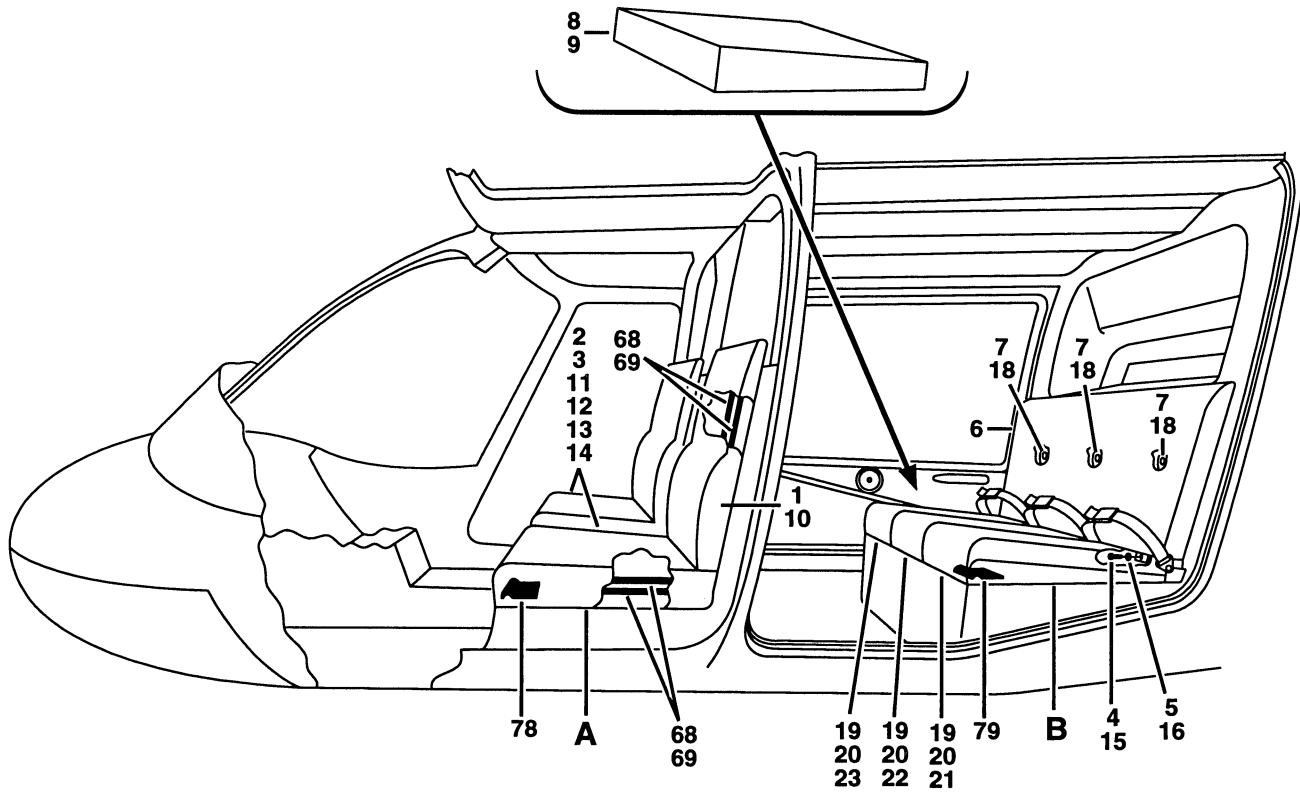


Figure 25-3. Interior installation, utility, vinyl; seat installation, crew and passenger utility; seating kit (S/N 4 thru SUB) (Sheet 1 of 2)

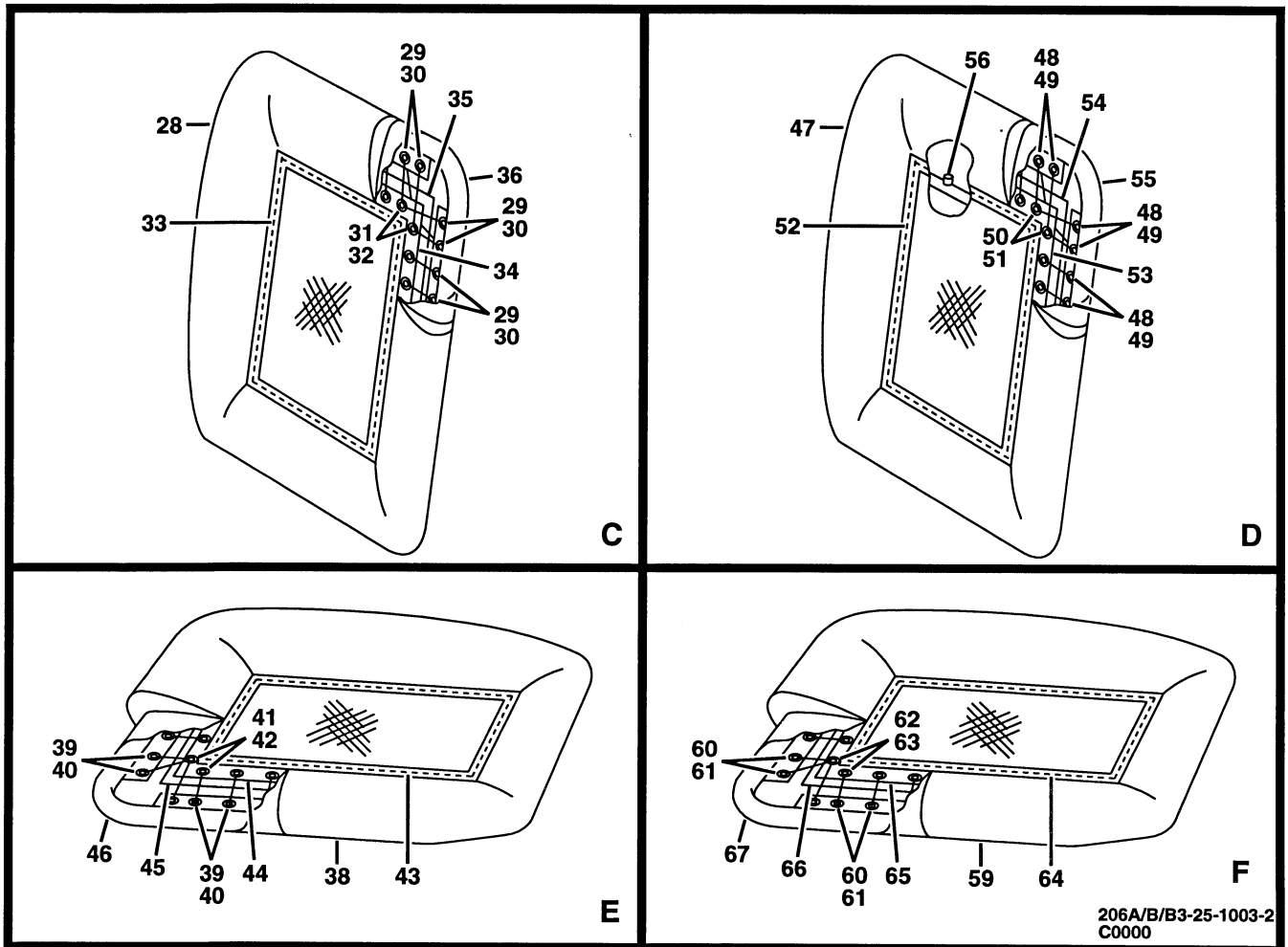
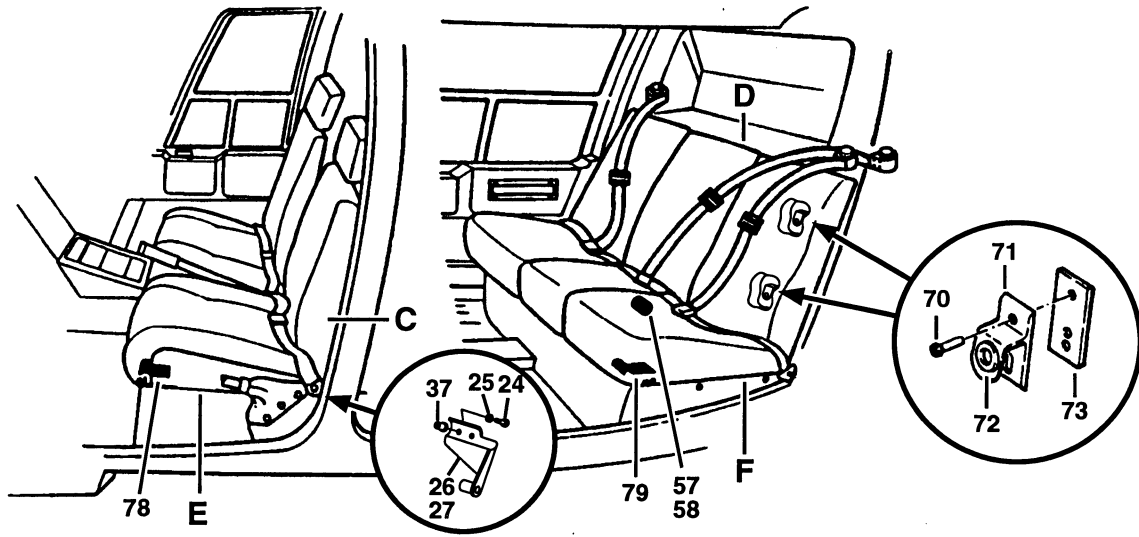


Figure 25-3. Interior installation, utility, vinyl; seat installation, crew and passenger utility; seating kit (S/N 4 thru SUB) (Sheet 2)

(1) INDEX NUMBER	(2) PART NUMBER	(3) ITEM NAME	(4) UNIT PER ASSY	(5) A V A I L	(6) U O C
		<b>FIGURE: 25-3. Interior installation, utility, vinyl; seat installation, crew and passenger utility; seating kit (S/N 4 thru SUB)</b>			
	206-070-795-009	INTERIOR INSTL, UTILITY, VINYL (SEE FIG. 1,7,8,9 . . . FOR BALANCE OF BREAKDOWN)	1		
	206-070-795-011	INTERIOR INSTL, UTILITY, VINYL (SEE FIG. 1,7,8,9 . . . FOR BALANCE OF BREAKDOWN)	1		
1	206-070-728-017	.CUSHION ASSY, CREW SEAT BACK (NOTE 1) . . . . .	2		B
2	AN227-10B	.STUD . . . . .	4		B
3	206-070-729-009	.CUSHION ASSY, CREW SEAT BOTTOM (NOTE 1) . . . . .	2		B
4	AN52010R6	.SCREW . . . . .	2		B
5	AN960PD10	.WASHER (REPLACED BY AN960JD10) . . . . .	2		B
5	AN960JD10	.WASHER (REPLACES AN960PD10) . . . . .	2		B
6	206-070-797-021	.CUSHION ASSY, PASSENGER SEAT BACK (NOTE 1) . . . . .	1		B
7	205-030-016-003	.PIVOT . . . . .	3		B
8	AN227-10B	.STUD . . . . .	6		B
9	206-070-731-009	.CUSHION ASSY, PASSENGER SEAT BOTTOM, BENCH . . . . . (NOTE 1)	1		B
	206-072-355-001	SEAT INSTL, CREW AND PASSENGER, UTILITY (SEE FIG. . . 7,16 FOR BALANCE OF BREAKDOWN)	1		
10	206-072-351-001	.CUSHION ASSY, CREW SEAT BACK (NOTE 1) . . . . .	2		D
11	MS27039-1-12	.SCREW . . . . .	4		D
12	AN960PD10	.WASHER (REPLACED BY AN960JD10) . . . . .	8		D
12	AN960JD10	.WASHER (REPLACES AN960PD10) . . . . .	8		D
13	206-070-739-087	.CUSHION ASSY, CREW SEAT BOTTOM (NOTE 1) . . . . .	2		D
	206-070-738-001	..FRAME ASSY . . . . .	1		
14	NAS1329S08K75	...RIVNUT, BLIND . . . . .	4		
15	MS35207-261	.SCREW . . . . .	2		D
16	AN960PD10	.WASHER (REPLACED BY AN960JD10) . . . . .	2		D
16	AN960JD10	.WASHER (REPLACES AN960PD10) . . . . .	2		D
17	206-070-797-037	.CUSHION ASSY, PASSENGER SEAT BACK (NOTE 1) . . . . .	1		D
18	205-030-016-003	.PIVOT . . . . .	3		D
19	MS27039-1-07	.SCREW . . . . .	6		D
20	AN960PD10	.WASHER (REPLACED BY AN960JD10) . . . . .	12		D
20	AN960JD10	.WASHER (REPLACES AN960PD10) . . . . .	12		D
21	206-070-740-165	.CUSHION ASSY, PASSENGER SEAT BOTTOM, LH (NOTE 1) . . . . .	1		D
22	206-070-740-169	.CUSHION ASSY, PASSENGER SEAT BOTTOM, CTR (NOTE . . 1)	1		D
23	206-070-740-167	.CUSHION ASSY, PASSENGER SEAT BOTTOM, RH (NOTE 1) . . . . .	1		D
	206-705-011-101	SEATING KIT, UTILITY . . . . .	1		
24	MS35215-57	.SCREW . . . . .	8		G
25	AN960XC10L	.WASHER . . . . .	8		G
26	206-072-215-101	.SUPPORT, LH . . . . .	2		G
27	206-072-215-102	.SUPPORT, RH . . . . .	2		G
28	206-072-282-101	.CUSHION ASSY, CREW SEAT BACK (NOTE 1) . . . . .	2		G
29	MS20230GB20	..GROMMET (REPLACED BY MS20230B20) . . . . .	57		
29	MS20230B20	..GROMMET (REPLACES MS20230GB20) . . . . .	57		
30	MS20230WB20	..GROMMET (REPLACED BY MS20230B20) . . . . .	57		
30	MS20230B20	..GROMMET (REPLACES MS20230WB20) . . . . .	57		
31	MS20230GB10	..GROMMET . . . . .	12		
32	MS20230WB10	..WASHER . . . . .	12		

(1) INDEX NUMBER	(2) PART NUMBER	(3) ITEM NAME	(4) UNIT PER ASSY	(5) A V A I L	(6) U O C
<b>FIGURE: 25-3. Interior installation, utility, vinyl; seat installation, crew and passenger utility; seating kit (S/N 4 thru SUB) (Cont'd)</b>					
33	S69-751	..THREAD . . . . .	1		
34	50-029-8B	..PILE . . . . .	1		
35	50-029-7B	..HOOK . . . . .	1		
37	NAS1329A3K80	...RIVNUT, BLIND . . . . .	4		
36	206-072-213-101	..FRAME ASSY . . . . .	1		
38	206-072-280-101	.CUSHION ASSY, CREW SEAT BOTTOM (NOTE 1) . . . . .	2		G
39	MS20230GB20	..GROMMET (REPLACED BY MS20230B20) . . . . .	68		
39	MS20230B20	..GROMMET (REPLACES MS20230GB20) . . . . .	68		
40	MS20230WB20	..GROMMET (REPLACED BY MS20230B20) . . . . .	68		
40	MS20230B20	..GROMMET (REPLACES MS20230WB20) . . . . .	68		
41	MS20230GB10	..GROMMET . . . . .	12		
42	MS20230WB10	..WASHER . . . . .	12		
43	S69-751	..THREAD . . . . .	1		
44	50-029-8B	..PILE . . . . .	1		
45	50-029-7B	..HOOK . . . . .	1		
46	206-072-212-101	..FRAME ASSY (REPLACED BY 206-072-212-103) . . . . .	1		
46	206-072-212-103	..FRAME ASSY (REPLACES 206-072-212-101) . . . . .	1		
47	206-072-289-101	.CUSHION ASSY, PASSENGER SEAT BACK (NOTE 1) . . . . .	3		G
48	MS20230GB20	..GROMMET (REPLACED BY MS20230B20) . . . . .	64		
48	MS20230B20	..GROMMET (REPLACES MS20230GB20) . . . . .	64		
49	MS20230WB20	..GROMMET (REPLACED BY MS20230B20) . . . . .	64		
49	MS20230B20	..GROMMET (REPLACES MS20230WB20) . . . . .	64		
50	MS20230GB10	..GROMMET . . . . .	12		
51	MS20230WB10	..WASHER . . . . .	12		
52	S69-751	..THREAD . . . . .	1		
53	50-029-8B	..PILE . . . . .	1		
54	50-029-7B	..HOOK . . . . .	1		
55	206-072-218-101	..FRAME ASSY . . . . .	1		
56	NAS42DD4-16A	...SPACER . . . . .	2		
57	50-029-8A050P	.PILE (MAKE FROM 50-029-8AP) . . . . .	1		G
57	50-029-8AP	.PILE . . . . .	1		G
58	50-029-7A050P	.HOOK (MAKE FROM 50-029-7AP) . . . . .	1		G
58	50-029-7AP	.HOOK . . . . .	1		G
59	206-072-284-101	.CUSHION ASSY, PASSENGER SEAT BOTTOM (NOTE 1) . . . . .	3		G
60	MS20230GB20	..GROMMET (REPLACED BY MS20230B20) . . . . .	60		
60	MS20230B20	..GROMMET (REPLACES MS20230GB20) . . . . .	60		
61	MS20230WB20	..GROMMET (REPLACED BY MS20230B20) . . . . .	60		
61	MS20230B20	..GROMMET (REPLACES MS20230WB20) . . . . .	60		
62	MS20230GB10	..GROMMET . . . . .	12		
63	MS20230WB10	..WASHER . . . . .	12		
64	S69-751	..THREAD . . . . .	1		
65	50-029-8B	..PILE . . . . .	1		
66	50-029-7B	..HOOK . . . . .	1		
67	206-072-217-101	..FRAME ASSY (REPLACED BY 206-072-217-105) . . . . .	1		
67	206-072-217-105	..FRAME ASSY (REPLACES 206-072-217-101) . . . . .	1		
68	50-029-8B	PILE . . . . .	8		B
69	50-029-7B	HOOK . . . . .	8		B

(1) INDEX NUMBER	(2) PART NUMBER	(3) ITEM NAME	(4) UNIT PER ASSY	(5) A V A I L	(6) U O C
		<b>FIGURE: 25-3. Interior installation, utility, vinyl; seat installation, crew and passenger utility; seating kit (S/N 4 thru SUB) (Cont'd)</b>			
	206-072-244-101	RESTRAINT INSTL, CREW AND PASSENGER (SEE FIG. . . . . 2, 5, 27 FOR BALANCE OF BREAKDOWN)	REF		
	206-072-244-103	RESTRAINT INSTL, CREW AND PASSENGER (SEE FIG. . . . . 2, 5, 27 FOR BALANCE OF BREAKDOWN)	REF		
	206-072-244-105	RESTRAINT INSTL, CREW AND PASSENGER (SEE FIG. . . . . 2, 5, 27 FOR BALANCE OF BREAKDOWN)	REF		
70	AN525-832-6	.SCREW (REPLACED BY AN525-832R6) . . . . .	24		
70	AN525-832R6	.SCREW (REPLACES AN525-832-6) . . . . .	24		
71	206-072-208-101	.SUPPORT ASSY (REPLACED BY 206-072-208-103) . . . . .	12		E
71	206-072-208-103	.SUPPORT ASSY (REPLACES 206-072-208-101) . . . . . (REPLACED BY 206-072-208-105)	12		F
71	206-072-208-105	.SUPPORT ASSY (REPLACES 206-072-208-103) . . . . .	12		G
72	60-004-2	.GROMMET . . . . .	1		
73	206-705-202-111	.SHIM . . . . .	12		G
74	206-072-221-101	.PIN . . . . .	2		G
75	206-072-221-103	.PIN . . . . .	3		G
76	206-070-941-003	.EYEBOLT . . . . .	6		G
77	AN960PD10	.WASHER (REPLACED BY AN960JD10) . . . . .	6		G
77	AN960JD10	.WASHER (REPLACES AN960PD10) . . . . .	6		G
78	206-072-295-101	CLIP (POST TB 206-87-125) . . . . .	4		G
79	206-072-295-103	CLIP (POST TB 206-87-125) . . . . .	6		G
80	P196D10-1	PLUG (REPLACED BY 80-013-P3D1-9) . . . . .	2		D
80	80-013-P3D1-9	PLUG (REPLACES P196D10-1) . . . . .	2		D
81	S196F1032-08	SLEEVE (REPLACED BY 80-013S3F08-9) . . . . .	2		D
81	80-013S3F08-9	SLEEVE (REPLACES S196F1032-08) . . . . .	2		D
82	MS21042L3	NUT . . . . .	2		G
83	AN42B-5A	EYEBOLT . . . . .	2		G
84	AN960JD10	WASHER . . . . .	6		G
85	80-004-2-8	INSERT . . . . .	2		C
85	80-004-2-8	INSERT . . . . .	6		G
		NOTE 1: WHEN ORDERING SPECIFY HELICOPTER MODEL AND SERIAL NUMBER			



(1) INDEX NUMBER	(2) PART NUMBER	(3) ITEM NAME	(4) UNIT PER ASSY	(5) A V A I L	(6) U O C																								
		<p><b>FIGURE: 25-3. Interior installation, utility, vinyl; seat installation, crew and passenger utility; seating kit (S/N 4 thru SUB) (Cont'd)</b></p> <p style="text-align: center;">USABLE ON CODES</p> <table border="0" style="margin-left: auto; margin-right: auto;"> <thead> <tr> <th style="text-align: left;">CODE</th> <th style="text-align: left;">MODEL</th> <th style="text-align: left;">SERIAL NUMBER</th> </tr> </thead> <tbody> <tr> <td>A</td> <td>206A</td> <td>4-103</td> </tr> <tr> <td>B</td> <td>206A/B</td> <td>4-1163</td> </tr> <tr> <td>C</td> <td>206A/B/BIII</td> <td>104-3566</td> </tr> <tr> <td>D</td> <td>206BIII</td> <td>2212-3566</td> </tr> <tr> <td>E</td> <td>206BIII</td> <td>3567-3816</td> </tr> <tr> <td>F</td> <td>206BIII</td> <td>3567-4359</td> </tr> <tr> <td>G</td> <td>206BIII</td> <td>3567-SUB</td> </tr> </tbody> </table> <p>1) UNLESS A USABLE ON PART NUMBER IS LISTED IN THE ITEM NAME COLUMN; NO CODE INDICATES THE PART APPLIES TO ALL SERIAL NUMBERS.</p> <p>2) IF THE SERIAL NUMBER IS BLANK THE PART APPLIES TO ALL SERIAL NUMBERS FOR THAT MODEL.</p>	CODE	MODEL	SERIAL NUMBER	A	206A	4-103	B	206A/B	4-1163	C	206A/B/BIII	104-3566	D	206BIII	2212-3566	E	206BIII	3567-3816	F	206BIII	3567-4359	G	206BIII	3567-SUB			
CODE	MODEL	SERIAL NUMBER																											
A	206A	4-103																											
B	206A/B	4-1163																											
C	206A/B/BIII	104-3566																											
D	206BIII	2212-3566																											
E	206BIII	3567-3816																											
F	206BIII	3567-4359																											
G	206BIII	3567-SUB																											



(1) INDEX NUMBER	(2) PART NUMBER	(3) ITEM NAME	(4) UNIT PER ASSY	(5) A V A I L	(6) U O C
		<b>FIGURE: 25-4. Seat cushions, crew and passenger, custom (S/N 4 thru 3566)</b>			
	206-070-795-001	INTERIOR INSTL, CUSTOM (SEE FIG. 1,10,11,12 FOR BALANCE OF BREAKDOWN)	REF		
	206-070-795-003	INTERIOR INSTL, CUSTOM (SEE FIG. 1,10,11,12 FOR BALANCE OF BREAKDOWN)	REF		
	206-070-795-005	INTERIOR INSTL, CUSTOM (SEE FIG. 1,10,11,12 FOR BALANCE OF BREAKDOWN)	REF		
	206-070-795-007	INTERIOR INSTL, CUSTOM (SEE FIG. 1,10,11,12 FOR BALANCE OF BREAKDOWN)	REF		
1	206-070-728-021	.CUSHION ASSY, CREW SEAT BACK (NOTE 1)	2		A
2	AN52010R6	.SCREW	4		A
3	AN960PD10	.WASHER (REPLACED BY AN960JD10)	4		A
3	AN960JD10	.WASHER (REPLACES AN960PD10)	4		A
4	206-070-739-013	.CUSHION ASSY, CREW SEAT BOTTOM (NOTE 1)	2		A
	206-070-738-001	..FRAME ASSY	1		
5	NAS1329S08K75	...RIVNUT, BLIND	4		
6	AN52010R6	.SCREW	2		A
7	AN960PD10	.WASHER (REPLACED BY AN960JD10)	2		A
7	AN960JD10	.WASHER (REPLACES AN960PD10)	2		A
8	206-070-797-013	.CUSHION ASSY, PASSENGER SEAT BACK (NOTE 1)	1		A
9	205-030-016-003	.PIVOT	3		A
10	AN52010R6	.SCREW	6		A
11	AN960PD10	.WASHER (REPLACED BY AN960JD10)	6		A
11	AN960JD10	.WASHER (REPLACES AN960PD10)	6		A
12	206-070-740-031	.CUSHION ASSY, PASSENGER SEAT BOTTOM, LH (NOTE 1)	1		A
13	206-070-740-035	.CUSHION ASSY, PASSENGER SEAT BOTTOM, CENTER (NOTE 1)	1		A
14	206-070-740-033	.CUSHION ASSY, PASSENGER SEAT BOTTOM, RH (NOTE 1)	1		A
	206-072-355-003	SEAT INSTL, CREW AND PASSENGER (SEE FIG. 16 FOR BALANCE OF BREAKDOWN)	1		
15	206-072-351-001	.CUSHION ASSY, CREW SEAT BACK (NOTE 1)	2		C
16	MS27039-1-12	.SCREW	4		C
17	AN960PD10	.WASHER (REPLACED BY AN960JD10)	8		C
17	AN960JD10	.WASHER (REPLACES AN960PD10)	8		C
18	206-070-739-087	.CUSHION ASSY, CREW SEAT BOTTOM (NOTE 1)	2		C
	206-070-738-001	..FRAME ASSY	1		
19	NAS1329S08K75	...RIVNUT, BLIND	4		
20	MS35207-261	.SCREW	2		C
21	AN960PD10	.WASHER (REPLACED BY AN960JD10)	2		C
21	AN960JD10	.WASHER (REPLACES AN960PD10)	2		C
22	206-070-797-037	.CUSHION ASSY, PASSENGER SEAT BACK (NOTE 1)	1		C
23	205-030-016-003	.PIVOT	3		C
24	MS27039-1-07	.SCREW	6		C
25	AN960PD10	.WASHER (REPLACED BY AN960JD10)	12		C
25	AN960JD10	.WASHER (REPLACES AN960PD10)	12		C
26	206-070-740-165	.CUSHION ASSY, PASSENGER SEAT BOTTOM, LH (NOTE 1)	1		C
27	206-070-740-169	.CUSHION ASSY, PASSENGER SEAT BOTTOM, CENTER (NOTE 1)	1		C
28	206-070-740-167	.CUSHION ASSY, PASSENGER SEAT BOTTOM, RH (NOTE 1)	1		C
29	P196D10-1	PLUG (REPLACED BY 80-013-P3D1-9)	2		B



(1) INDEX NUMBER	(2) PART NUMBER	(3) ITEM NAME	(4) UNIT PER ASSY	(5) A V A I L	(6) U O C
		<b>FIGURE: 25-4. Seat cushions, crew and passenger, custom (S/N 4 thru 3566) (Cont'd)</b>			
29	80-013-P3D1-9	PLUG (REPLACES P196D10-1) . . . . .	2		B
30	S196F1032-08	SLEEVE (REPLACED BY 80-013S3F08-9) . . . . .	2		B
30	80-013S3F08-9	SLEEVE (REPLACES S196F1032-08) . . . . .	2		B
31	80-004-2-8	INSERT . . . . .	2		B
32	206-072-295-101	CLIP (POST TB 206-87-125) . . . . .	4		
33	206-072-295-103	CLIP (POST TB 206-87-125) . . . . .	6		
		NOTE 1: WHEN ORDERING SPECIFY HELICOPTER MODEL AND SERIAL NUMBER			
		USABLE ON CODES			
		CODE            MODEL            SERIAL NUMBER			
		A            206A/B            4-1163			
		B            206A/B/BIII      104-3566			
		C            206B/BIII        1164-3566			
		1) UNLESS A USABLE ON PART NUMBER IS LISTED IN THE ITEM NAME COLUMN; NO CODE INDICATES THE PART APPLIES TO ALL SERIAL NUMBERS.			
		2) IF THE SERIAL NUMBER IS BLANK THE PART APPLIES TO ALL SERIAL NUMBERS FOR THAT MODEL.			

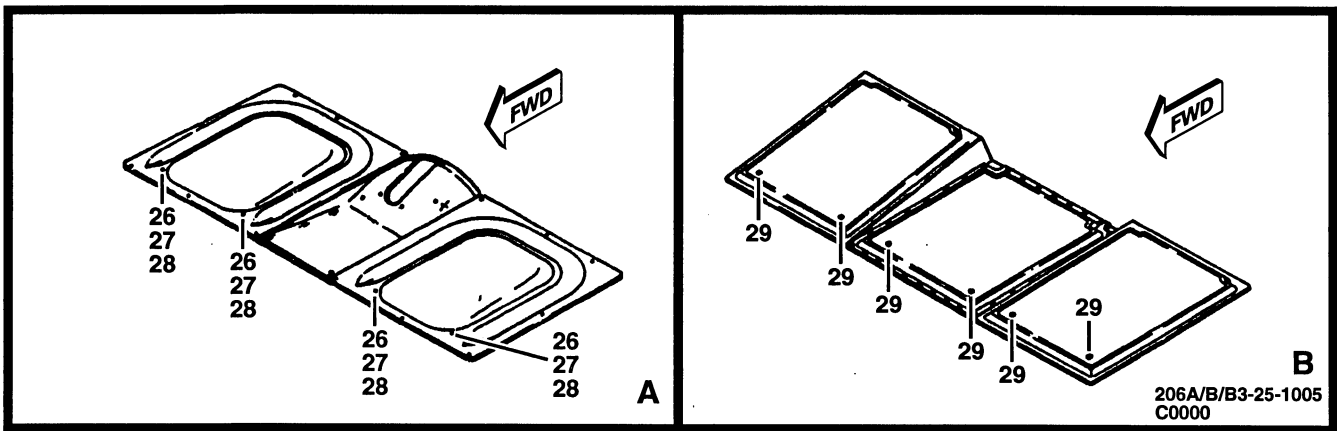
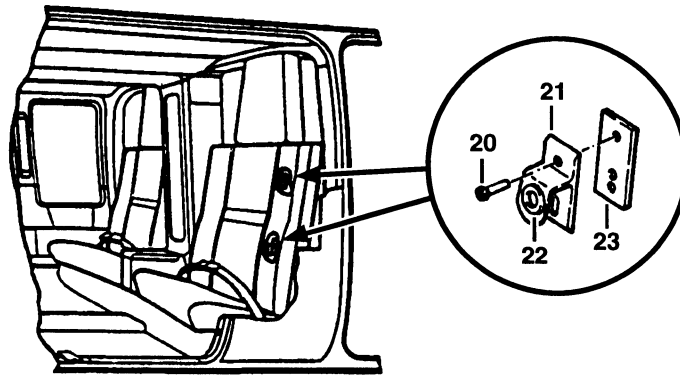
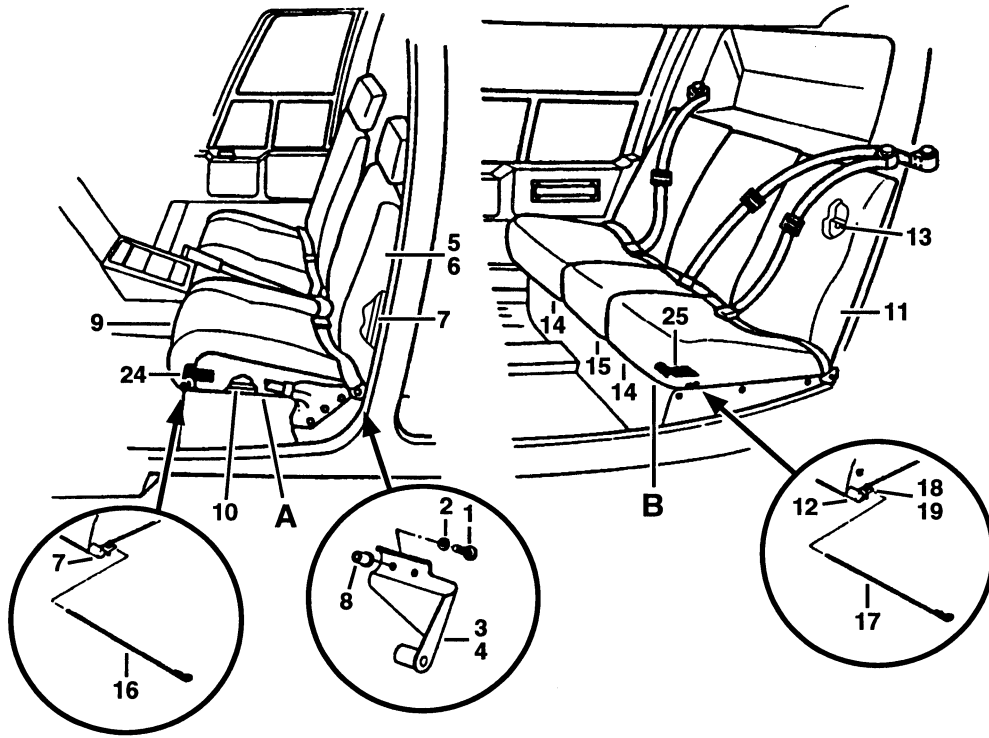


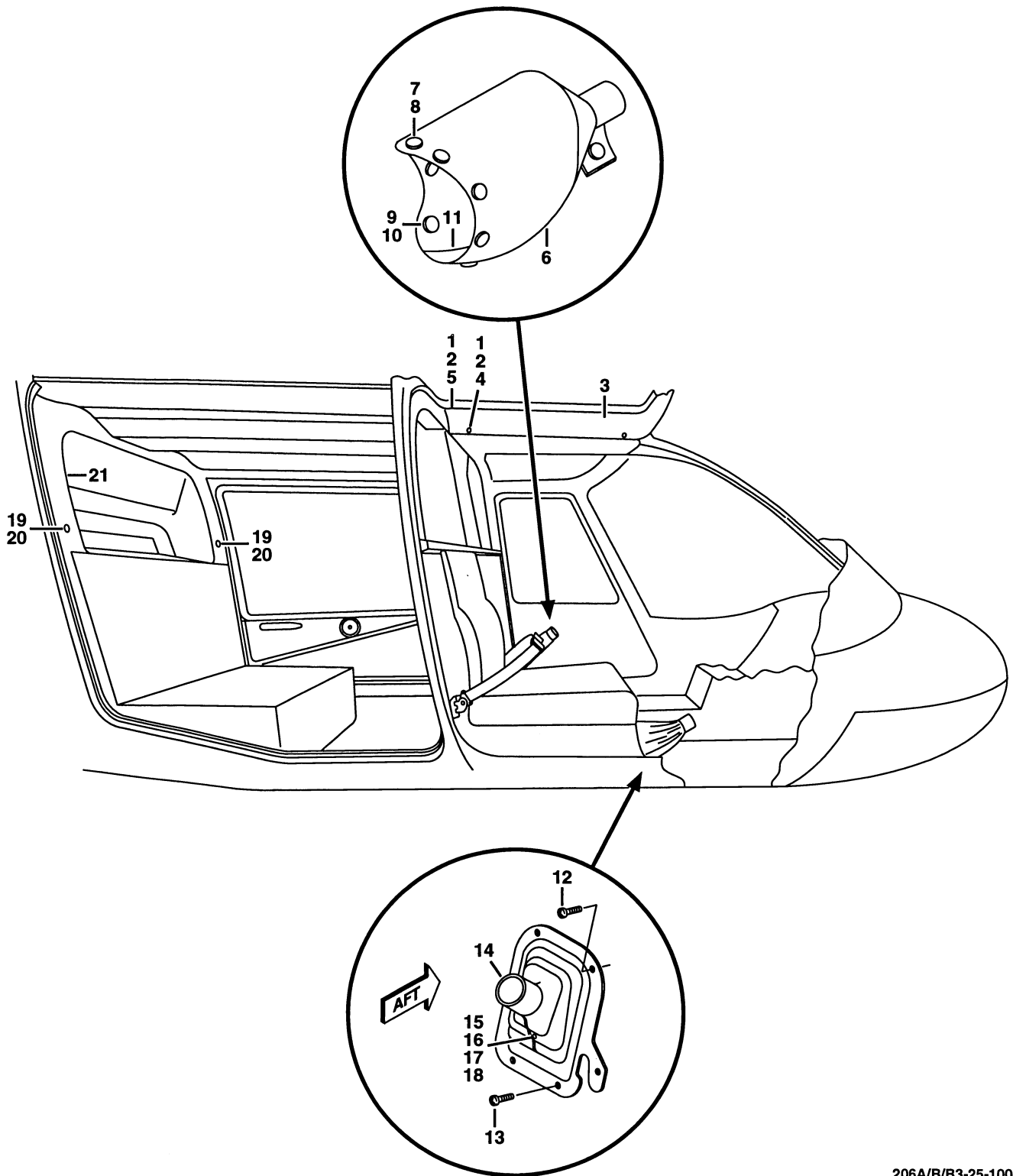
Figure 25-5. Seat cushions, deluxe and custom deluxe (S/N 3567 thru SUB)

(1) INDEX NUMBER	(2) PART NUMBER	(3) ITEM NAME	(4) UNIT PER ASSY	(5) A V A I L	(6) U O C
		<b>FIGURE: 25-5. Seat cushions, delux and custom deluxe (S/ N 3567 thru SUB)</b>			
	206-705-716-101	SEAT KIT, DELUXE (SEE FIG. 20 FOR BALANCE OF . . . . . BREAKDOWN)	1		B
	206-705-716-103	SEAT KIT, DELUXE (SEE FIG. 20 FOR BALANCE OF . . . . . BREAKDOWN)	1		E
	206-705-717-101	SEAT KIT, CUSTOM DELUXE (SEE FIG. 20 FOR BALANCE . . OF BREAKDOWN)	1		B
	206-705-717-103	SEAT KIT, CUSTOM DELUXE (SEE FIG. 20 FOR BALANCE . . OF BREAKDOWN)	1		E
	206-706-508-101	COMFORT SEAT KIT (SEE SI BHT-206-SI-126 FOR . . . . . SERIAL NUMBER EFFECTIVITY)	1		D
	206-072-216-101	.SEAT ASSY . . . . .	2		D
1	MS35274-63	..SCREW . . . . .	4		
2	AN960XC10L	..WASHER . . . . .	4		
3	206-072-215-101	..SUPPORT, LH . . . . .	1		
4	206-072-215-102	..SUPPORT, RH . . . . .	1		
5	206-072-216-105	..SEAT ASSY, CREW SEAT BACK (NOTE 1) . . . . .	1		
6	206-072-216-113	...CUSHION ASSY (NOTE 1) . . . . .	1		
7	206-072-213-101	...FRAME ASSY . . . . .	1		
8	NAS1329C3K80	...RIVNUT, BLIND . . . . .	4		
9	206-072-216-103	..SEAT ASSY, CREW SEAT BOTTOM (PRE SI 206-SI-126) . (NOTE 1) (REPLACED BY 206-072-334-103)	1		
9	206-072-334-103	..SEAT ASSY, CREW SEAT BOTTOM (POST SI . . . . . 206-SI-126) (NOTE 1)	1		
10	206-072-212-101	...FRAME ASSY (USBL ON 206-072-216-103) . . . . . (REPLACED BY 206-072-212-103)	1		
10	206-072-212-103	...FRAME ASSY (USBL ON 206-072-216-103) . . . . . (REPLACES 206-072-212-101)	1		
10	206-072-333-101	...FRAME ASSY (USBL ON 206-072-334-103) . . . . .	1		
11	206-072-220-107	.CUSHION ASSY, PASSENGER SEAT BACK, DELUXE (NOTE . . 1)	3		
11	206-072-220-101	.CUSHION ASSY, PASSENGER SEAT BACK, CUSTOM . . . . . DELUXE (NOTE 1)	3		
12	206-072-218-101	..FRAME ASSY . . . . .	1		
13	NAS42DD4-16A	...SPACER . . . . .	2		
14	206-072-219-101	.CUSHION ASSY, PASSENGER SEAT BOTTOM, LH/RH . . . . . (NOTE 1)	2		
15	206-072-219-105	.CUSHION ASSY, PASSENGER SEAT BOTTOM, CENTER . . . . . (NOTE 1)	1		
	206-072-244-101	RESTRAINT INSTL, CREW AND PASSENGER (SEE FIG. . . . . 2, 3, 27 FOR BALANCE OF BREAKDOWN)	REF		
	206-072-244-103	RESTRAINT INSTL, CREW AND PASSENGER (SEE FIG. . . . . 2, 3, 27 FOR BALANCE OF BREAKDOWN)	REF		
	206-072-244-105	RESTRAINT INSTL, CREW AND PASSENGER (SEE FIG. . . . . 2, 3, 27 FOR BALANCE OF BREAKDOWN)	REF		
16	206-072-221-101	.PIN . . . . .	2		
17	206-072-221-103	.PIN . . . . .	3		
18	206-070-941-003	.EYEBOLT . . . . .	6		
19	AN960PD10	.WASHER (REPLACED BY AN960JD10) . . . . .	6		
19	AN960JD10	.WASHER (REPLACES AN960PD10) . . . . .	6		





(1) INDEX NUMBER	(2) PART NUMBER	(3) ITEM NAME	(4) UNIT PER ASSY	(5) A V A I L	(6) U O C
		<b>FIGURE: 25-5. Seat cushions, delux and custom deluxe (S/ N 3567 thru SUB) (Cont'd)</b>			
20	AN525-832R6	.SCREW . . . . .	24		
21	206-072-208-101	.SUPPORT ASSY (REPLACED BY 206-072-208-103) . . . . .	12		A
21	206-072-208-103	.SUPPORT ASSY (REPLACES 206-072-208-101) . . . . . (REPLACED BY 206-072-208-105)	12		B
21	206-072-208-105	.SUPPORT ASSY (REPLACES 206-072-208-103) . . . . .	12		D
22	60-004-2	.GROMMET . . . . .	1		
23	206-705-202-111	.SHIM . . . . .	12		
24	206-072-295-101	CLIP . . . . .	4		
25	206-072-295-103	CLIP . . . . .	6		
26	MS21042L3	NUT . . . . .	2		
27	AN42B-5A	EYEBOLT . . . . .	2		
28	AN960JD10	WASHER . . . . .	6		
29	80-004-2-8	INSERT . . . . .	6		
		NOTE 1: WHEN ORDERING SPECIFY HELICOPTER MODEL AND SERIAL NUMBER			
		USABLE ON CODES			
		CODE            MODEL            SERIAL NUMBER			
		A                206BIII            3567-3816			
		B                206BIII            3567-4168			
		C                206BIII            3567-4322			
		D                206BIII            3567-SUB			
		E                206BIII            4169-SUB			
		1) UNLESS A USABLE ON PART NUMBER IS LISTED IN THE ITEM NAME COLUMN; NO CODE INDICATES THE PART APPLIES TO ALL SERIAL NUMBERS.			
		2) IF THE SERIAL NUMBER IS BLANK THE PART APPLIES TO ALL SERIAL NUMBERS FOR THAT MODEL.			



206A/B/B3-25-1006  
C0000

Figure 25-6. Interior installation, basic, trim (S/N 4 thru 660, 672 thru 3566)

(1) INDEX NUMBER	(2) PART NUMBER	(3) ITEM NAME	(4) UNIT PER ASSY	(5) A V A I L	(6) U O C
		<b>FIGURE: 25-6. Interior installation, basic, trim (S/N 4 thru 660, 672 thru 3566)</b>			
	206-070-795-013	INTERIOR INSTL, BASIC, TRIM (SEE FIG. 1,2,13 FOR . . . BALANCE OF BREAKDOWN)	REF		
1	120-079-6-8	.SCREW (NOTE 1) . . . . .	6		A
1	120-079-6-10	.SCREW (NOTE 1) . . . . .	6		A
2	NAS390S6P	.WASHER . . . . .	6		A
		(ALTERNATE PART)			
2	140-017-6BC	.WASHER . . . . .	6		A
3	206-070-778-003	.PANEL (NOTE 2) (REPLACED BY 206-070-778-005) . . . . .	1		A
3	206-070-778-005	.PANEL (NOTE 2) (REPLACES 206-070-778-003) . . . . .	1		A
4	C60207AA-020	.FASTENER . . . . .	4		A
5	C60184AA-020	.FASTENER . . . . .	2		A
6	206-001-017-021	.BOOT ASSY (REPLACED BY 206-001-017-025) . . . . .	1		A
6	206-001-017-025	.BOOT ASSY (REPLACES 206-001-017-021) . . . . .	1		A
7	MS27981-1B	..BUTTON . . . . .	10		
8	AN227-12B	..SOCKET . . . . .	10		
9	AN227-13B	..STUD (REPLACED BY MS27981-4B) . . . . .	2		
9	MS27981-4B	..STUD (REPLACES AN227-13B) . . . . .	2		
10	AN227-14B	..EYELET (REPLACED BY MS27981-5B) . . . . .	2		
10	MS27981-5B	..EYELET (REPLACES AN227-14B) . . . . .	2		
11	AN229-1BL30-1	..FASTENER . . . . .	1		
12	AN525-832R7	.SCREW . . . . .	8		A
13	AN525-832R12	.SCREW . . . . .	4		A
14	206-001-361-033	.BOOT ASSY (REPLACED BY 206-001-361-039) . . . . .	2		A
14	206-001-361-039	.BOOT ASSY (REPLACES 206-001-361-033) . . . . .	2		A
15	AN227-11B	..BUTTON (REPLACED BY MS27981-1B) . . . . .	2		
15	MS27981-1B	..BUTTON (REPLACES AN227-11B) . . . . .	2		
16	AN227-12B	..SOCKET . . . . .	2		
17	AN227-13B	..STUD (REPLACED BY MS27981-4B) . . . . .	2		
17	MS27981-4B	..STUD (REPLACES AN227-13B) . . . . .	2		
18	AN227-14B	..EYELET (REPLACED BY MS27981-5B) . . . . .	2		
18	MS27981-5B	..EYELET (REPLACES AN227-14B) . . . . .	2		
19	NAS388-10-8P	.SCREW . . . . .	4		A
20	140-017-10SP	.WASHER . . . . .	4		A
21	206-070-769-001	.HAT BIN (NOTE 2) . . . . .	1		A
		NOTE 1: LENGTH TO BE DETERMINED UPON INSTALLATION			
		NOTE 2: WHEN ORDERING SPECIFY HELICOPTER SERIAL NUMBER			



(1) INDEX NUMBER	(2) PART NUMBER	(3) ITEM NAME	(4) UNIT PER ASSY	(5) A V A I L	(6) U O C						
		<p><b>FIGURE: 25-6. Interior installation, basic, trim (S/N 4 thru 660, 672 thru 3566) (Cont'd)</b></p> <p style="text-align: center;">USABLE ON CODES</p> <table border="0" style="margin-left: auto; margin-right: auto;"> <tr> <td style="padding-right: 20px;">CODE</td> <td style="padding-right: 20px;">MODEL</td> <td>SERIAL NUMBER</td> </tr> <tr> <td>A</td> <td>206A/B/BIII</td> <td>4-660, 672-3566</td> </tr> </table> <p>1) UNLESS A USABLE ON PART NUMBER IS LISTED IN THE ITEM NAME COLUMN; NO CODE INDICATES THE PART APPLIES TO ALL SERIAL NUMBERS.</p> <p>2) IF THE SERIAL NUMBER IS BLANK THE PART APPLIES TO ALL SERIAL NUMBERS FOR THAT MODEL.</p>	CODE	MODEL	SERIAL NUMBER	A	206A/B/BIII	4-660, 672-3566			
CODE	MODEL	SERIAL NUMBER									
A	206A/B/BIII	4-660, 672-3566									

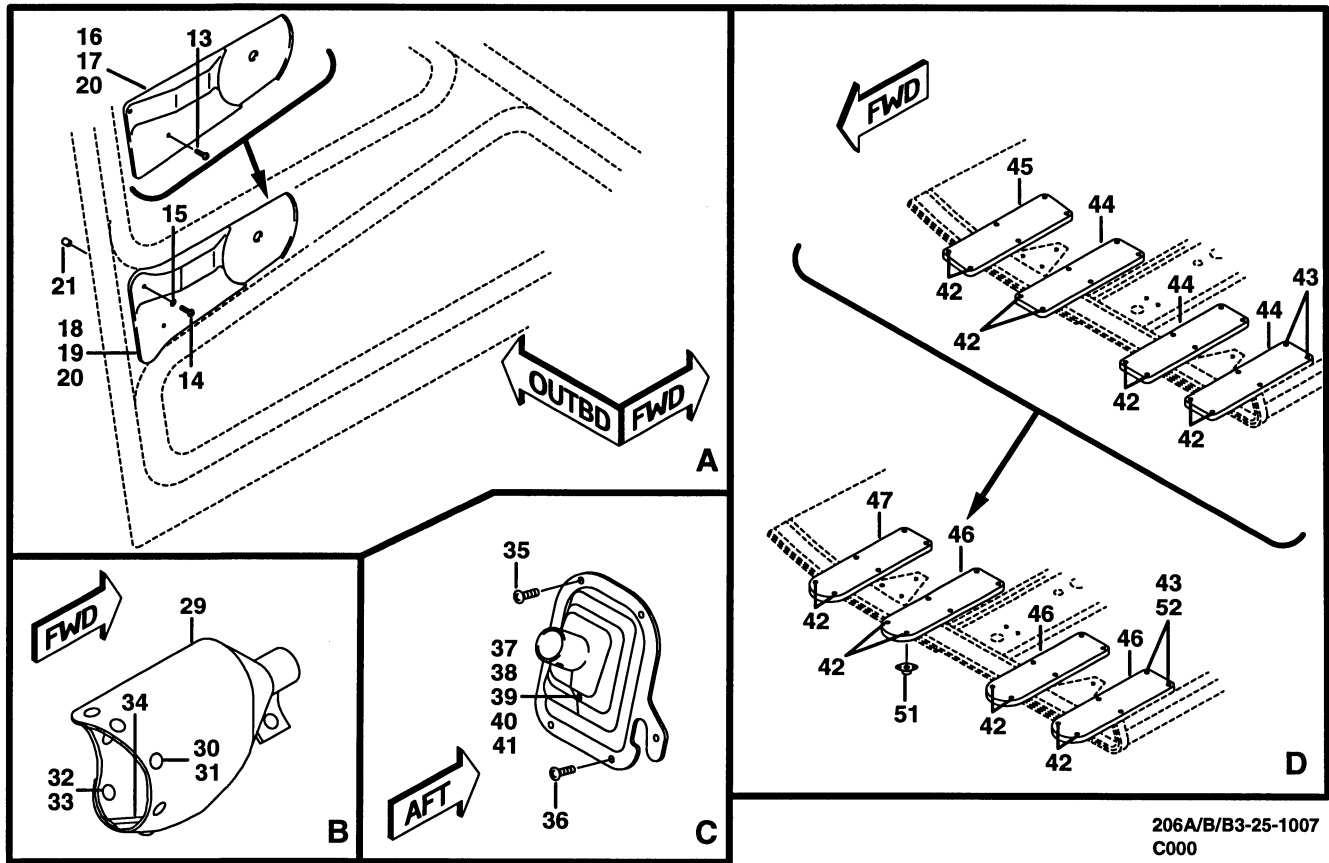
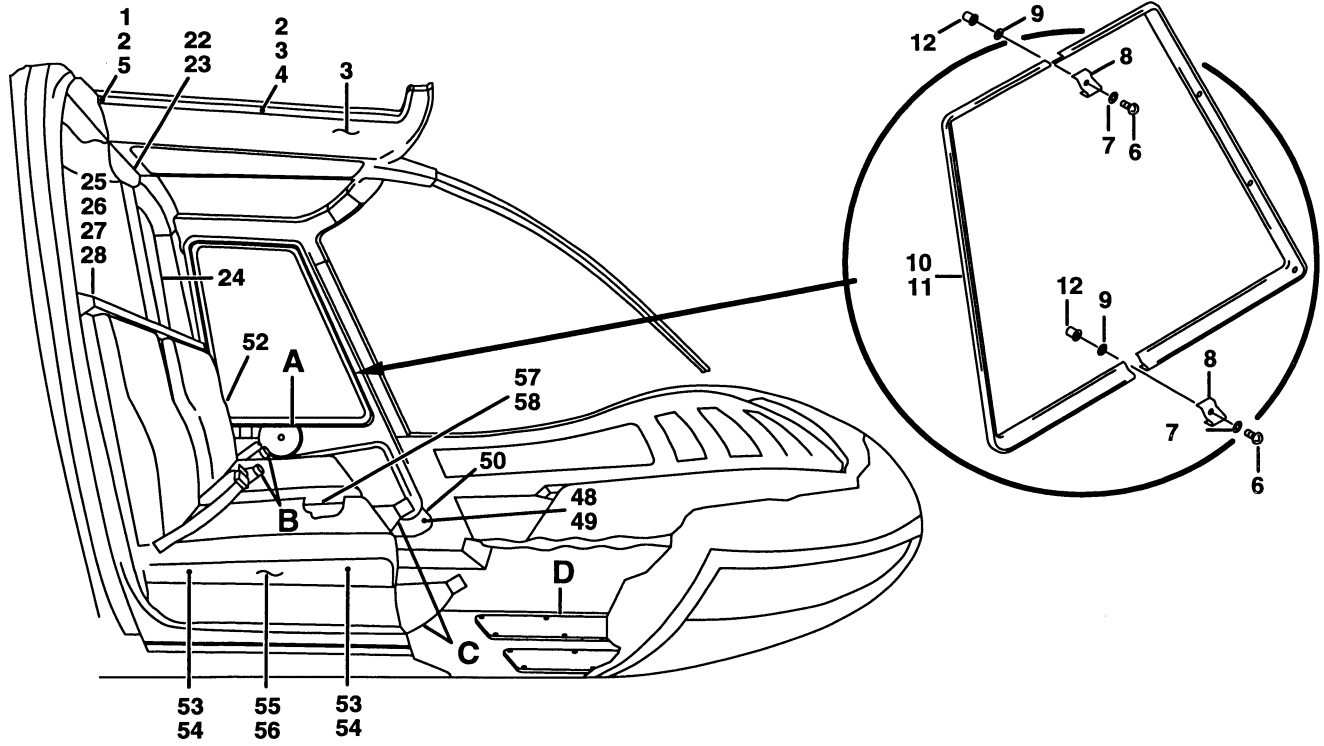


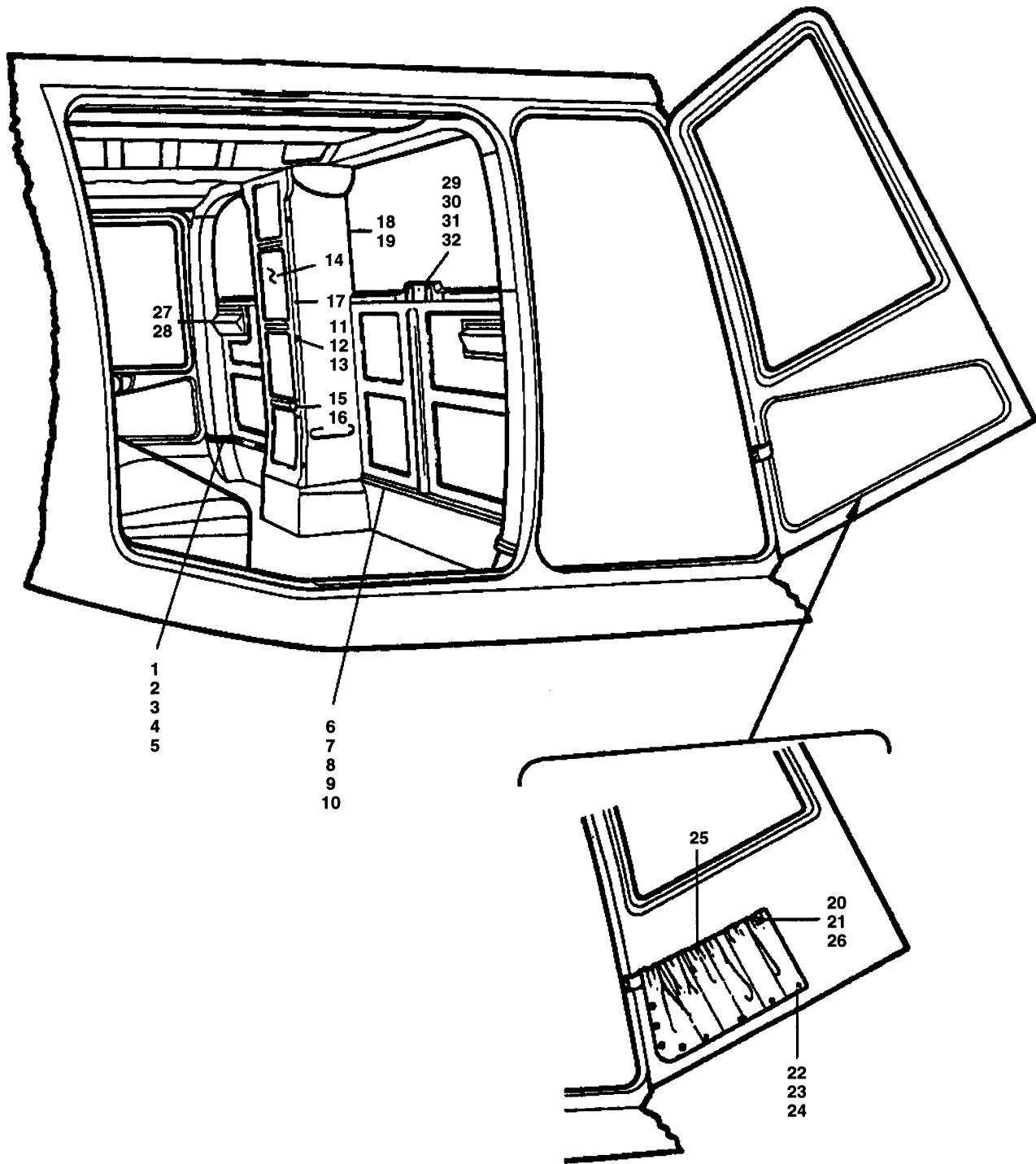
Figure 25-7. Interior installation, utility, trim, crew (S/N 4 thru 3566)

(1) INDEX NUMBER	(2) PART NUMBER	(3) ITEM NAME	(4) UNIT PER ASSY	(5) A V A I L	(6) U O C
		<b>FIGURE: 25-7. Interior installation, utility, trim, crew (S/N 4 thru 3566)</b>			
	206-070-795-009	INTERIOR INSTL, UTILITY, TRIM (SEE FIG. 1,3,8,9 . . . FOR BALANCE OF BREAKDOWN)	REF		
	206-070-795-011	INTERIOR INSTL, UTILITY, TRIM (SEE FIG. 1,3,8,9 . . . FOR BALANCE OF BREAKDOWN)	REF		
	206-072-500-001	TRIM INSTL, UTILITY (SEE FIG. 1,8,9 FOR BALANCE . . . OF BREAKDOWN)	REF		
	206-072-500-003	TRIM INSTL, UTILITY (SEE FIG. 1,8,9 FOR BALANCE . . . OF BREAKDOWN)	REF		
	206-072-500-005	TRIM INSTL, UTILITY (SEE FIG. 1,8,9 FOR BALANCE . . . OF BREAKDOWN)	REF		
	206-072-500-103	TRIM INSTL, UTILITY (SEE FIG. 1,8,9 FOR BALANCE . . . OF BREAKDOWN)	REF		
1	120-079-6-8	.SCREW (NOTE 1) . . . . .	4		
1	120-079-6-10	.SCREW (NOTE 1) . . . . .	4		
2	NAS390S6P	.WASHER . . . . .	4		
		(ALTERNATE PART)			
2	140-017-6BC	.WASHER . . . . .	4		
3	206-070-778-001	.PANEL, CENTER, FWD OVERHEAD (NOTE 2) . . . . .	1		F
3	206-070-778-003	.PANEL, CENTER, FWD OVERHEAD (NOTE 2) (REPLACED . . BY 206-070-778-005)	1		C
3	206-070-778-005	.PANEL, CENTER, FWD OVERHEAD (NOTE 2) (REPLACES . . 206-070-778-003)	1		C
4	C60207AA020	.FASTENER . . . . .	4		
5	C60184AA020	.FASTENER . . . . .	2		
6	120-079-6-10P	.SCREW . . . . .	20		
7	140-017-6SP	.WASHER (REPLACED BY 140-017-6SC) . . . . .	20		
7	140-017-6SC	.WASHER (REPLACES 140-017-6SP) . . . . .	20		
8	206-070-780-101	.TRIM, WINDOW, CREW DOOR (NOTE 2) . . . . .	4		
9	140-005-4-6-8	.WASHER . . . . .	20		
10	206-070-780-061	.TRIM, WINDOW, CREW DOOR, LH (NOTE 2) . . . . .	1		
11	206-070-780-062	.TRIM, WINDOW, CREW DOOR, RH (NOTE 2) . . . . .	1		
12	NAS1329A06-75	.RIVNUT, BLIND . . . . .	20		
13	MS27039-0807	.SCREW . . . . .	4		
14	120-079-8-12	.SCREW . . . . .	4		
15	140-017-8SC	.WASHER . . . . .	4		
16	206-070-784-015	.PANEL ASSY, CREW DOOR, LH (NOTE 2) (REPLACED BY . . 206-070-784-019)	1		CDE
17	206-070-784-016	.PANEL ASSY, CREW DOOR, RH (NOTE 2) (REPLACED BY . . 206-070-784-020)	1		CDE
18	206-070-784-019	.PANEL ASSY, CREW DOOR, LH (NOTE 2) (REPLACES . . . . 206-070-784-015)	1		
19	206-070-784-020	.PANEL ASSY, CREW DOOR, RH (NOTE 2) (REPLACES . . . . 206-070-784-016)	1		
20	4408,3.00WIDE	..TAPE . . . . .	1		
21	NAS43DD3-8	.SPACER . . . . .	4		CDE
21	NAS43DD3-12	.SPACER . . . . .	4		GJ
22	206-070-789-001	.TRIM ASSY, CENTER POST, UPPER (NOTE 2) . . . . .	1		
23	4408,3.00WIDE	..TAPE . . . . .	1		
24	206-070-762-001	.PANEL TRIM, CENTER POST, FWD (NOTE 2) . . . . .	1		

(1) INDEX NUMBER	(2) PART NUMBER	(3) ITEM NAME	(4) UNIT PER ASSY	(5) A V A I L	(6) U O C
		<b>FIGURE: 25-7. Interior installation, utility, trim, crew (S/N 4 thru 3566) (Cont'd)</b>			
25	NAS388-6-8SP	.SCREW . . . . .	2		
26	140-017-6SP	.WASHER (REPLACED BY 140-017-6SC) . . . . .	2		
26	140-017-6SC	.WASHER (REPLACES 140-017-6SP) . . . . .	2		
27	206-070-798-001	.TRIM ASSY, CREW SEAT (NOTE 2) . . . . .	1		CF
27	206-070-798-101	.TRIM ASSY, CREW SEAT (NOTE 2) . . . . .	1		J
28	NAS1329A06-75	.RIVNUT, BLIND . . . . .	2		
29	206-001-017-025	.BOOT ASSY, COLLECTIVE . . . . .	1		
30	AN227-11B	..BUTTON (REPLACED BY MS27981-1B) . . . . .	10		
30	MS27981-1B	..BUTTON (REPLACES AN227-11B) . . . . .	10		
31	AN227-12B	..SOCKET . . . . .	10		
32	AN227-13B	..STUD (REPLACED BY MS27981-4B) . . . . .	2		
32	MS27981-4B	..STUD (REPLACES AN227-13B) . . . . .	2		
33	AN227-14B	..EYELET (REPLACED BY MS27981-5B) . . . . .	2		
33	MS27981-5B	..EYELET (REPLACES AN227-14B) . . . . .	2		
34	AN229-1BL30-1	..FASTENER . . . . .	1		
35	AN525-832R7	.SCREW . . . . .	8		C
35	MS27039-0807	.SCREW . . . . .	8		F
36	AN525-832R12	.SCREW . . . . .	4		C
36	MS27039-0812	.SCREW . . . . .	4		F
37	206-001-361-033	.BOOT ASSY, CYCLIC (REPLACED BY 206-001-361-039) . . . . .	2		C
37	206-001-361-039	.BOOT ASSY, CYCLIC (REPLACES 206-001-361-033) . . . . .	2		
38	AN227-11B	..BUTTON (REPLACED BY MS27981-1B) . . . . .	2		
38	MS27981-1B	..BUTTON (REPLACES AN227-11B) . . . . .	2		
39	AN227-12B	..SOCKET . . . . .	2		
40	AN227-13B	..STUD (REPLACED BY MS27981-4B) . . . . .	2		
40	MS27981-4B	..STUD (REPLACES AN227-13B) . . . . .	2		
41	AN227-14B	..EYELET (REPLACED BY MS27981-5B) . . . . .	2		
41	MS27981-5B	..EYELET (REPLACES AN227-14B) . . . . .	2		
42	AN509-10R8	.SCREW (REPLACED BY MS24694S50) . . . . .	16		C
42	MS24694S50	.SCREW (REPLACES AN509-10R8) . . . . .	16		C
43	AN509-10R13	.SCREW (REPLACED BY MS24694S55) . . . . .	8		C
43	MS24694S55	.SCREW (REPLACES AN509-10R13) . . . . .	8		C
44	206-070-726-001	.HEEL REST ASSY . . . . .	3		A
45	206-070-726-003	.HEEL REST ASSY . . . . .	1		A
46	206-070-589-001	.HEEL REST ASSY . . . . .	3		B
47	206-070-589-003	.HEEL REST ASSY . . . . .	1		B
	206-070-725-007	.SCUFF PLATE INSTL . . . . .	1		
	206-070-725-008	.SCUFF PLATE INSTL . . . . .	1		
48	AN520-10R18	..SCREW . . . . .	3		C
49	AN960C10L	..WASHER . . . . .	3		C
50	206-070-725-005	..SCUFF PLATE, FRONT, LH . . . . .	1		C
50	206-070-725-006	..SCUFF PLATE, FRONT, RH . . . . .	1		C
51	NAS698A3	NUTPLATE (REPLACED BY MS21073L3) . . . . .	8		A
51	MS21073L3	NUTPLATE (REPLACES NAS698A3) . . . . .	8		A
51	NAS697A3	NUTPLATE (REPLACED BY MS21069L3) . . . . .	8		CF
51	MS21069L3	NUTPLATE (REPLACES NAS697A3) . . . . .	8		CF
52	80-005-2-8	INSERT . . . . .	16		
	206-072-355-001	SEAT INSTL, CREW AND PASSENGER, UTILITY (SEE FIG. . . . . 3, 16 FOR BALANCE OF BREAKDOWN)	REF		



(1) INDEX NUMBER	(2) PART NUMBER	(3) ITEM NAME	(4) UNIT PER ASSY	(5) A V A I L	(6) U O C
		<b>FIGURE: 25-7. Interior installation, utility, trim, crew (S/N 4 thru 3566) (Cont'd)</b>			
53	120-079-8-12	.SCREW . . . . .	8		H
54	140-017-8SC	.WASHER . . . . .	8		H
55	206-070-794-153	.SKIRT ASSY, CREW SEAT, OUTBOARD, LH (NOTE 2) . . . .	1		H
56	206-070-794-154	.SKIRT ASSY, CREW SEAT, OUTBOARD, RH (NOTE 2) . . . .	1		H
57	206-070-794-155	.SKIRT ASSY, CREW SEAT, INBOARD, LH (NOTE 2) . . . . .	1		H
58	206-070-794-156	.SKIRT ASSY, CREW SEAT, INBOARD, RH (NOTE 2) . . . . .	1		H
		NOTE 1: LENGTH TO BE DETERMINED UPON INSTALLATION			
		NOTE 2: WHEN ORDERING SPECIFY HELICOPTER SERIAL NUMBER			
		USABLE ON CODES			
		CODE            MODEL            SERIAL NUMBER			
		A            206A            4-448			
		B            206A/B            449-1163			
		C            206A/B            4-1163			
		D            206B            1164-1413			
		E            206B            1414-1750			
		F            206B/BIII            1164-3566			
		G            206B/BIII            1751-3121			
		H            206BIII            2212-3566			
		J            206BIII            3122-3566			
		1) UNLESS A USABLE ON PART NUMBER IS LISTED IN THE ITEM NAME COLUMN; NO CODE INDICATES THE PART APPLIES TO ALL SERIAL NUMBERS.			
		2) IF THE SERIAL NUMBER IS BLANK THE PART APPLIES TO ALL SERIAL NUMBERS FOR THAT MODEL.			



206A/B/B3-25-1008  
C0000

Figure 25-8. Interior installation, utility trim, passenger (S/N 4 thru 3566)

(1) INDEX NUMBER	(2) PART NUMBER	(3) ITEM NAME	(4) UNIT PER ASSY	(5) A V A I L	(6) U O C
		<b>FIGURE: 25-8. Interior installation, utility trim, passenger (S/N 4 thru 3566)</b>			
	206-070-795-009	INTERIOR INSTL, UTILITY, TRIM (SEE FIG. 1,3,7,9 . . . FOR BALANCE OF BREAKDOWN)	REF	0	
	206-070-795-011	INTERIOR INSTL, UTILITY, TRIM (SEE FIG. 1,3,7,9 . . . FOR BALANCE OF BREAKDOWN)	REF	0	
	206-072-500-001	TRIM INSTL, UTILITY (SEE FIG. 1,7,9 FOR BALANCE . . . OF BREAKDOWN)	REF	0	
	206-072-500-003	TRIM INSTL, UTILITY (SEE FIG. 1,7,9 FOR BALANCE . . . OF BREAKDOWN)	REF	0	
	206-072-500-005	TRIM INSTL, UTILITY (SEE FIG. 1,7,9 FOR BALANCE . . . OF BREAKDOWN)	REF	0	
	206-072-500-103	TRIM INSTL, UTILITY (SEE FIG. 1,7,9 FOR BALANCE . . . OF BREAKDOWN)	REF	0	
1	NAS1329A06-75	.RIVNUT, BLIND . . . . .	4	1	A
2	140-017-6SP	.WASHER (REPLACED BY 140-017-6SC) . . . . .	4	1	A
2	140-017-6SC	.WASHER (REPLACES 140-017-6SP) . . . . .	4	1	A
3	NAS388-6-16P	.SCREW (REPLACED BY 120-079-6-16) . . . . .	4	1	A
3	120-079-6-16	.SCREW (REPLACES NAS388-6-16P) . . . . .	4	1	A
4	206-070-791-001	.MOLDING, CARPET TRIM, BHD (NOTE 1) (USBL ON . . . . . 206-070-795-009)	1		A
4	206-070-791-009	.MOLDING, CARPET TRIM, BHD (NOTE 1) (USBL ON . . . . . 206-070-795-011)	1	1	A
5	206-070-791-002	.MOLDING, CARPET TRIM, BHD (NOTE 1) (USBL ON . . . . . 206-070-795-009)	1		A
5	206-070-791-010	.MOLDING, CARPET TRIM, BHD (NOTE 1) (USBL ON . . . . . 206-070-795-011)	1	1	A
6	NAS1329A06-75	.RIVNUT, BLIND . . . . .	4	1	A
7	140-017-6SP	.WASHER (REPLACED BY 140-017-6SC) . . . . .	4	1	A
7	140-017-6SC	.WASHER (REPLACES 140-017-6SP) . . . . .	4	1	A
8	NAS388-6-16P	.SCREW (REPLACED BY 120-079-6-16) . . . . .	4	1	A
8	120-079-6-16	.SCREW (REPLACES NAS388-6-16P) . . . . .	4	1	A
9	206-070-791-011	.MOLDING, CARPET TRIM, BHD (NOTE 1) (USBL ON . . . . . 206-070-795-009)	1		A
9	206-070-791-019	.MOLDING, CARPET TRIM, BHD (NOTE 1) (USBL ON . . . . . 206-070-795-011)	1	1	A
10	206-070-791-012	.MOLDING, CARPET TRIM, BHD (NOTE 1) (USBL ON . . . . . 206-070-795-009)	1		A
10	206-070-791-020	.MOLDING, CARPET TRIM, BHD (NOTE 1) (USBL ON . . . . . 206-070-795-011)	1	1	A
11	NAS388-6-16P	.SCREW (REPLACED BY 120-079-6-16) . . . . .	6	1	
11	120-079-6-16	.SCREW (REPLACES NAS388-6-16P) . . . . .	6	1	
12	140-017-6SP	.WASHER (REPLACED BY 140-017-6SC) . . . . .	6	1	
12	140-017-6SC	.WASHER (REPLACES 140-017-6SP) . . . . .	6	1	
13	NAS697A06	.NUTPLATE . . . . .	6	1	
14	206-070-786-001	.PANEL ASSY, TRIM, BACK, CENTER POST (NOTE 1) . . . . . (REPLACED BY 206-070-786-101)	1	1	
14	206-070-786-101	.PANEL ASSY, TRIM, BACK, CENTER POST (NOTE 1) . . . . . (REPLACES 206-070-786-001)	1	1	
15	50-029-7B036T	..HOOK (MAKE FROM 50-029-7BT) (USBL ON . . . . . 206-070-786-101)	3	1	



(1) INDEX NUMBER	(2) PART NUMBER	(3) ITEM NAME	(4) UNIT PER ASSY	(5) A V A I L	(6) U O C
<b>FIGURE: 25-8. Interior installation, utility trim, passenger (S/N 4 thru 3566) (Cont'd)</b>					
15	50-029-7BT	..HOOK (USBL ON 206-070-786-101) . . . . .	3	1	
16	50-029-8B036T	..PILE (MAKE FROM 50-029-8BT) (USBL ON . . . . . 206-070-786-101)	3	1	
16	50-029-8BT	..PILE (USBL ON 206-070-786-101) . . . . .	3	1	
17	206-070-786-003	..PANEL . . . . .	1	1	
18	206-070-763-001	..PANEL ASSY, TRIM, SIDE, LH, CENTER POST (NOTE 1) . .	1	1	
19	206-070-763-002	..PANEL ASSY, TRIM, SIDE, RH, CENTER POST (NOTE 1) . .	1	1	
	206-070-792-001	..POCKET INSTL, MAP AND DATA (NOTE 1) (USBL ON . . . . . 206-070-795-009)	1	0	
	206-070-792-009	..POCKET INSTL, MAP AND DATA (NOTE 1) (USBL ON . . . . . 206-070-795-011)	1	0	
20	NAS679A3	..NUT (REPLACED BY MS21042L3) . . . . .	1	1	A
20	MS21042L3	..NUT (REPLACES NAS679A3) . . . . .	1	1	A
21	AN520-10R6	..SCREW (REPLACED BY MS35207-261) . . . . .	1	1	A
21	MS35207-261	..SCREW (REPLACES AN520-10R6) . . . . .	1	1	A
22	NAS1329A06K75	..RIVNUT, BLIND . . . . .	8	1	A
23	AN960PD6	..WASHER (REPLACED BY AN960JD6) . . . . .	8	1	A
23	AN960JD6	..WASHER (REPLACES AN960PD6) . . . . .	8	1	A
24	AN520-6R6	..SCREW (REPLACED BY MS35207-228) . . . . .	8	1	A
24	MS35207-228	..SCREW (REPLACES AN520-6R6) . . . . .	8	1	A
25	206-070-796-001	..POCKET ASSY, MAP AND DATA (NOTE 1) . . . . .	1	1	A
25	206-070-796-009	..POCKET ASSY, MAP AND DATA (NOTE 1) . . . . .	1		A
26	MS20230B10	..GROMMET . . . . .	1	1	A
	206-070-756-001	..ASH TRAY INSTL, PASSENGER, LH . . . . .	1	0	
	206-070-756-002	..ASH TRAY INSTL, PASSENGER, RH . . . . .	1	0	
	206-070-756-003	..ASH TRAY INSTL, PASSENGER, LH . . . . .	1	0	
	206-070-756-004	..ASH TRAY INSTL, PASSENGER, RH . . . . .	1	0	
27	MS35207-263	..SCREW . . . . .	2	1	
28	S-18-AR-RT-CP	..ASH TRAY . . . . .	1	6	
29	120-079-6-8	..SCREW . . . . .	6		B
30	140-017-6BC	..WASHER . . . . .	6		B
31	NAS1329A06-75	..RIVNUT, BLIND . . . . .	6		B
32	206-072-849-101	..PANEL, INERTIA REEL SUPPORT CLOSEOUT . . . . .	2		B
NOTE 1: WHEN ORDERING SPECIFY HELICOPTER SERIAL NUMBER					
USABLE ON CODES					
	CODE	MODEL	SERIAL NUMBER		
	A	206A/B	4-1163		
	B	206BIII	3122-3566		
1) UNLESS A USABLE ON PART NUMBER IS LISTED IN THE ITEM NAME COLUMN; NO CODE INDICATES THE PART APPLIES TO ALL SERIAL NUMBERS.					
2) IF THE SERIAL NUMBER IS BLANK THE PART APPLIES TO ALL SERIAL NUMBERS FOR THAT MODEL.					

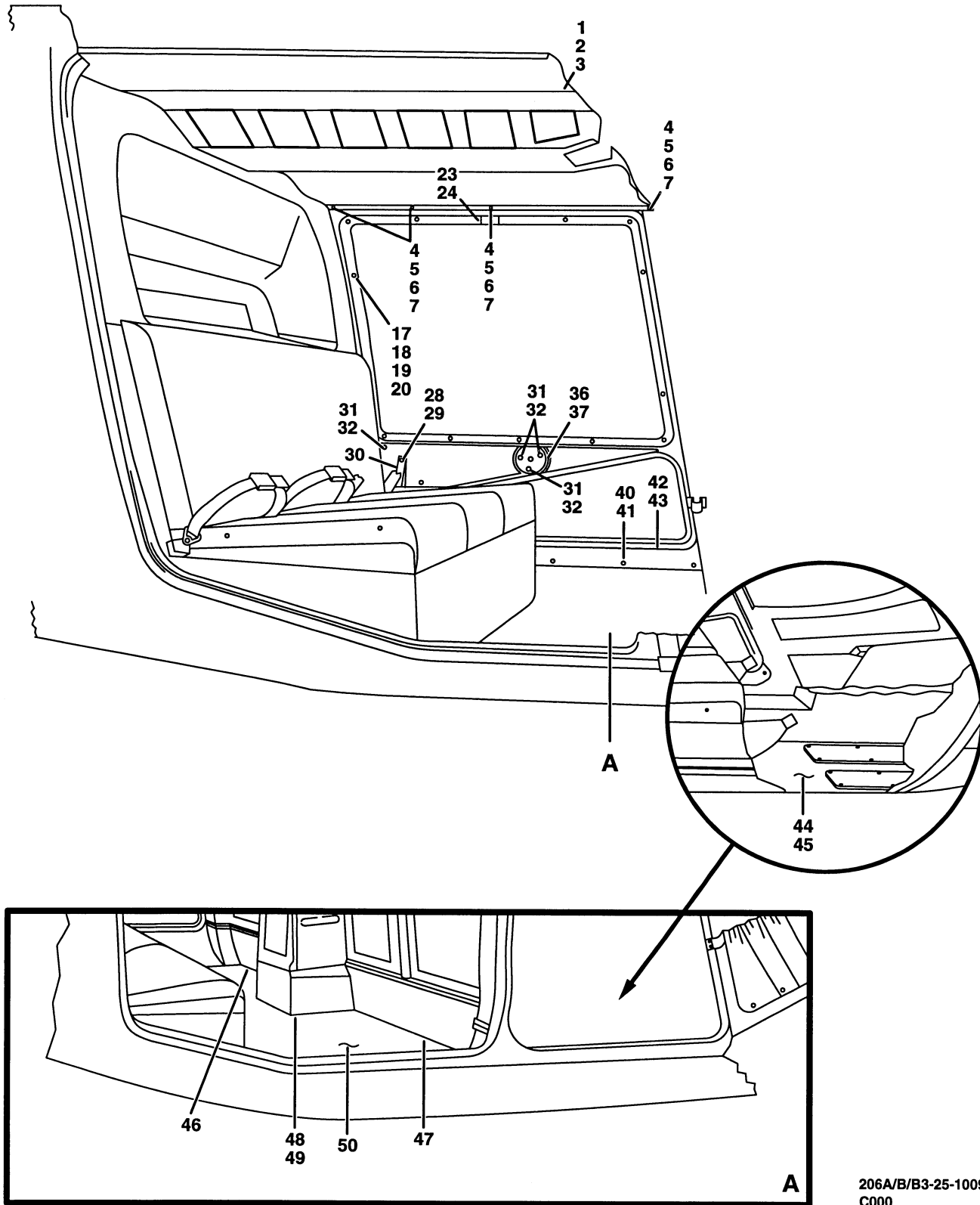
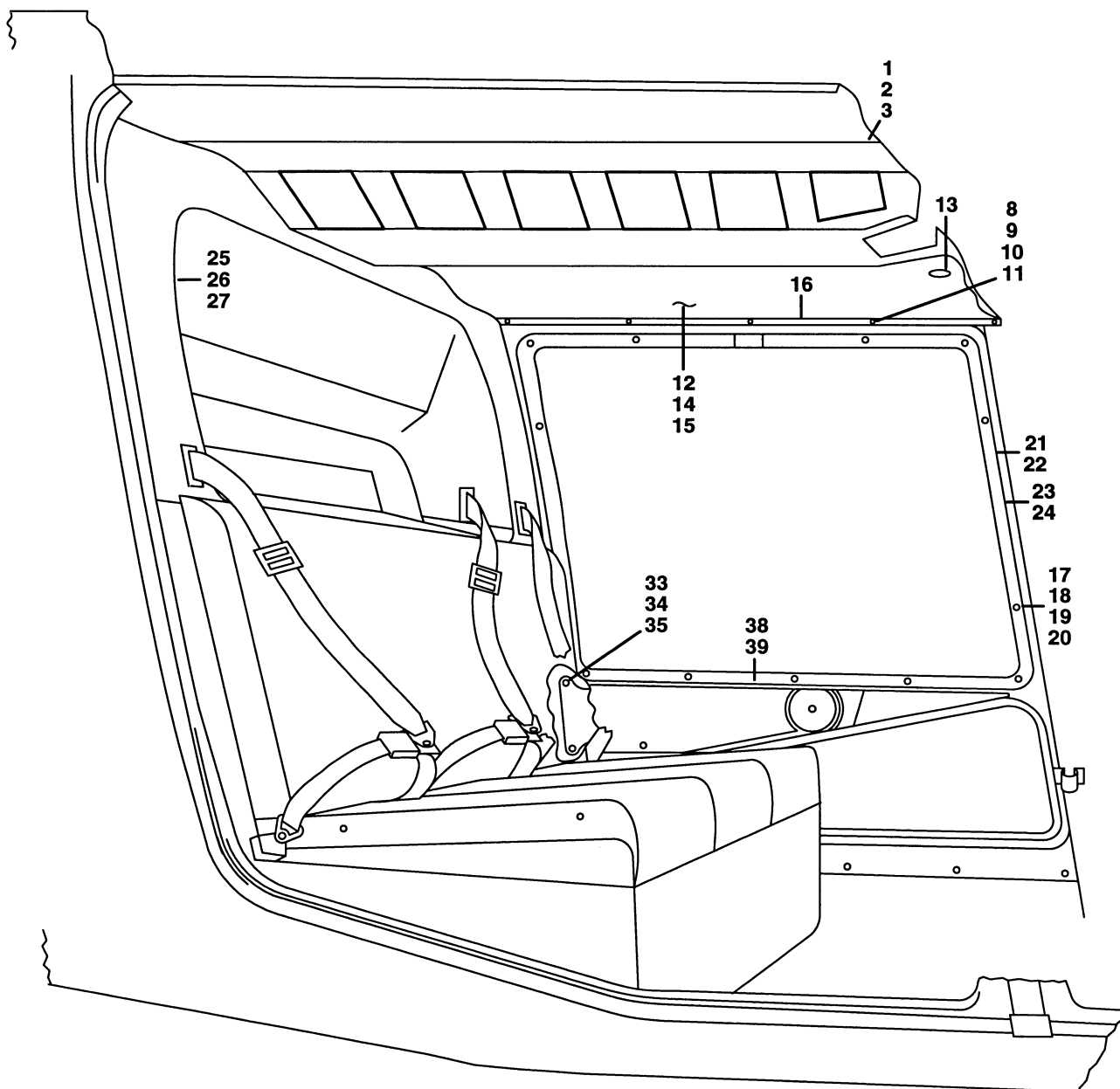


Figure 25-9. Interior installation; trim installation, utility (S/N 4 thru 3566) (Sheet 1 of 2)



206A/B/B3-25-1009-2  
C000

Figure 25-9. Interior installation; trim installation, utility (S/N 4 thru 3566) (Sheet 2)

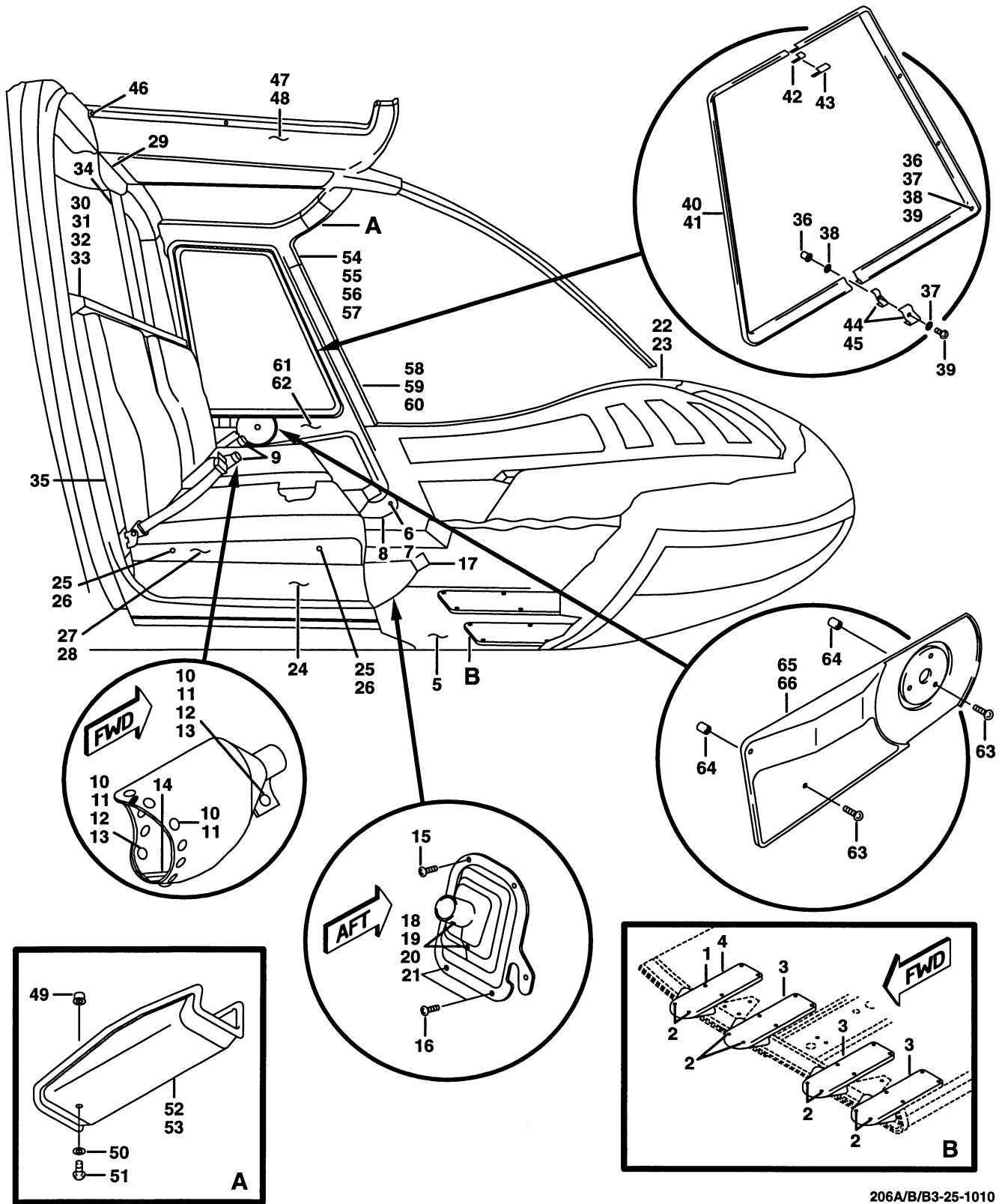
(1) INDEX NUMBER	(2) PART NUMBER	(3) ITEM NAME	(4) UNIT PER ASSY	(5) A V A I L	(6) U O C
		<b>FIGURE: 25-9. Interior installation; trim installation, utility (S/N 4 thru 3566)</b>			
	206-070-795-009	INTERIOR INSTL, VINYL (MOD BY 206-961-224-001) . . . (SEE FIG. 1, 3, 7, 8 FOR BALANCE OF BREAKDOWN)	REF		
	206-070-795-011	INTERIOR INSTL, VINYL (MOD BY 206-961-224-001) . . . (SEE FIG. 1, 3, 7, 8 FOR BALANCE OF BREAKDOWN)	REF		
	206-072-500-001	TRIM INSTL, UTILITY (SEE FIG. 1, 7, 8 FOR BALANCE . . . OF BREAKDOWN)	REF		
	206-072-500-003	TRIM INSTL, UTILITY (SEE FIG. 1, 7, 8 FOR BALANCE . . . OF BREAKDOWN)	REF		
	206-072-500-005	TRIM INSTL, UTILITY (SEE FIG. 1, 7, 8 FOR BALANCE . . . OF BREAKDOWN)	REF		
	206-072-500-103	TRIM INSTL, UTILITY (SEE FIG. 1, 7, 8 FOR BALANCE . . . OF BREAKDOWN)	REF		
1	206-070-768-001	.HEADLINER, AFT CENTER PANEL (REPLACED BY . . . . . 206-070-768-011)	1		B
1	206-070-768-011	.HEADLINER, AFT CENTER PANEL (REPLACES . . . . . 206-070-768-001)	1		
2	V12-1-100	..TAPE (USBL ON 206-070-768-001) . . . . .	1		B
3	50-029-8A360T	..PILE, VELCRO (MAKE FROM 50-029-8AT) (USBL ON . . . 206-070-768-011)	2		
3	50-029-8AT	..PILE, VELCRO (USBL ON 206-070-768-011) . . . . .	2		
4	AN520-10R22	.SCREW . . . . .	8		B
4	MS35207-269	.SCREW . . . . .	8		J
5	AN960PD10L	.WASHER (REPLACED BY AN960JD10L) . . . . .	8		
5	AN960JD10L	.WASHER (REPLACES AN960PD10L) . . . . .	8		
6	AN960PD10	.WASHER (REPLACED BY AN960JD10) . . . . .	8		
6	AN960JD10	.WASHER (REPLACES AN960PD10) . . . . .	8		
7	NAS43DD3-64	.SPACER . . . . .	8		
8	MS35207-269	.SCREW . . . . .	2		K
9	AN960PD10L	.WASHER (REPLACED BY AN960JD10L) . . . . .	2		K
9	AN960JD10L	.WASHER (REPLACES AN960PD10L) . . . . .	2		K
10	AN960PD10	.WASHER (REPLACED BY AN960JD10) . . . . .	2		K
10	AN960JD10	.WASHER (REPLACES AN960PD10) . . . . .	2		K
11	NAS43DD3-64	.SPACER . . . . .	2		K
12	206-070-767-001	.HEADLINER ASSY, AFT SIDE PANEL, LH . . . . .	1		A
12	206-070-767-005	.HEADLINER ASSY, AFT SIDE PANEL, LH . . . . .	1		F
12	206-070-767-011	.HEADLINER ASSY, AFT SIDE PANEL, LH . . . . .	1		K
13	XS-48175	..PLUG BUTTON . . . . .	1		FK
14	206-070-767-002	.HEADLINER ASSY, AFT SIDE PANEL, RH . . . . .	1		C
14	206-070-767-012	.HEADLINER ASSY, AFT SIDE PANEL, RH . . . . .	1		K
15	V12-2-100	..TAPE . . . . .	1		
16	927024-75-13-36	.EXTRUSION, J . . . . .	2		
17	NAS1329A06-75	.RIVNUT, BLIND . . . . .	28		
18	140-017-6SP	.WASHER (REPLACED BY 140-017-6SC) . . . . .	28		
18	140-017-6SC	.WASHER (REPLACES 140-017-6SP) . . . . .	28		
19	140-005-6-6-8	.WASHER . . . . .	28		B
19	140-005-4-6-8	.WASHER . . . . .	28		J
20	120-079-6-16	.SCREW . . . . .	28		B
20	NAS388-6-10P	.SCREW . . . . .	28		J
21	206-070-781-001	.TRIM, WINDOW, PASSENGER DOOR, LH (NOTE 1) . . . . .	1		B



(1) INDEX NUMBER	(2) PART NUMBER	(3) ITEM NAME	(4) UNIT PER ASSY	(5) A V A I L	(6) U O C
		<b>FIGURE: 25-9. Interior installation; trim installation, utility (S/N 4 thru 3566) (Cont'd)</b>			
21	206-070-781-009	.TRIM, WINDOW, PASSENGER DOOR, LH (NOTE 1) . . . . .	1		B
21	206-070-781-031	.TRIM, WINDOW, PASSENGER DOOR, LH (NOTE 1) . . . . . (REPLACED BY 206-070-781-037)	1		G
21	206-070-781-037	.TRIM, WINDOW, PASSENGER DOOR, LH (NOTE 1) . . . . . (REPLACES 206-070-781-031)	1		J
22	206-070-781-002	.TRIM, WINDOW, PASSENGER DOOR, RH (NOTE 1) . . . . .	1		B
22	206-070-781-010	.TRIM, WINDOW, PASSENGER DOOR, RH (NOTE 1) . . . . .	1		B
22	206-070-781-032	.TRIM, WINDOW, PASSENGER DOOR, RH (NOTE 1) . . . . . (REPLACED BY 206-070-781-038)	1		G
22	206-070-781-038	.TRIM, WINDOW, PASSENGER DOOR, RH (NOTE 1) . . . . . (REPLACES 206-070-781-032)	1		J
23	206-070-781-011	.TRIM, WINDOW, PASSENGER DOOR, LONG (NOTE 1) . . . . .	2		B
23	206-070-781-019	.TRIM, WINDOW, PASSENGER DOOR, LONG (NOTE 1) . . . . .	2		B
23	206-070-781-033	.TRIM, WINDOW, PASSENGER DOOR, LONG (NOTE 1) . . . . .	2		J
24	206-070-781-021	.TRIM, WINDOW, PASSENGER DOOR, RH, SHORT (NOTE 1) . . . . .	2		B
24	206-070-781-029	.TRIM, WINDOW, PASSENGER DOOR, RH, SHORT (NOTE 1) . . . . .	2		B
24	206-070-781-035	.TRIM, WINDOW, PASSENGER DOOR, SHORT (NOTE 1) . . . . .	2		J
25	NAS388-10-8P	.SCREW . . . . .	4		
26	140-017-10SP	.WASHER . . . . .	4		
27	206-070-769-001	.HAT BIN ASSY, PASSENGER SEAT, BHD (REPLACED BY . . . 206-070-994-103)	1		E
27	206-070-994-103	.HAT BIN ASSY, PASSENGER SEAT, BHD (REPLACES . . . . . 206-070-769-001)	1		E
27	206-070-994-101	.HAT BIN ASSY, PASSENGER SEAT, BHD . . . . .	1		M
28	120-079-8-14	.SCREW . . . . .	2		B
29	140-017-8SC	.WASHER . . . . .	2		B
30	206-070-779-001	.STRAP ASSY, DOOR PULL . . . . .	2		D
31	AN525-8R7	.SCREW . . . . .	8		B
31	MS27039-0807	.SCREW . . . . .	8		J
32	NAS43DD3-8	.SPACER . . . . .	8		
33	120-079-8-12	.SCREW . . . . .	2		J
34	140-017-8SC	.WASHER . . . . .	2		J
35	NAS43DD3-12	.SPACER . . . . .	2		J
36	206-070-785-001	.PANEL ASSY, TRIM, PASSENGER DOOR, LH (NOTE 1) . . . . .	1		B
36	206-070-785-003	.PANEL ASSY, TRIM, PASSENGER DOOR, LH (NOTE 1) . . . . .	1		B
37	206-070-785-002	.PANEL ASSY, TRIM, PASSENGER DOOR, RH (NOTE 1) . . . . .	1		B
37	206-070-785-004	.PANEL ASSY, TRIM, PASSENGER DOOR, RH (NOTE 1) . . . . .	1		B
38	206-070-785-015	.PANEL ASSY, TRIM, PASSENGER DOOR, LH (REPLACED . . . BY 206-070-785-019)	1		G
38	206-070-785-019	.PANEL ASSY, TRIM, PASSENGER DOOR, LH (REPLACES . . . 206-070-785-015)	1		L
39	206-070-785-016	.PANEL ASSY, TRIM, PASSENGER DOOR, RH (REPLACED . . . BY 206-070-785-020)	1		G
39	206-070-785-020	.PANEL ASSY, TRIM, PASSENGER DOOR, RH (REPLACES . . . 206-070-785-016)	1		L
	206-070-725-009	.SCUFF PLATE INSTL, REAR, LH . . . . .	1		
	206-070-725-010	.SCUFF PLATE INSTL, REAR, RH . . . . .	1		
40	AN520-10R8	.SCREW (REPLACED BY MS35207-263) . . . . .	4		B
40	MS35207-263	.SCREW (REPLACES AN520-10R8) . . . . .	4		B

(1) INDEX NUMBER	(2) PART NUMBER	(3) ITEM NAME	(4) UNIT PER ASSY	(5) A V A I L	(6) U O C
		<b>FIGURE: 25-9. Interior installation; trim installation, utility (S/N 4 thru 3566) (Cont'd)</b>			
41	AN960C10L	..WASHER . . . . .	4		B
42	206-070-725-003	..SCUFF PLATE, LH . . . . .	1		B
43	206-070-725-004	..SCUFF PLATE, RH . . . . .	1		B
44	206-070-772-001	.CARPET ASSY, LH (NOTE 1) . . . . .	1		B
44	206-070-772-003	.CARPET ASSY, LH (NOTE 1) (REPLACED BY . . . . . 206-070-772-017)	1		B
44	206-070-772-017	.CARPET ASSY, LH (NOTE 1) (REPLACES . . . . . 206-070-772-003)	1		B
45	206-070-772-002	.CARPET ASSY, RH (NOTE 1) . . . . .	1		B
45	206-070-772-004	.CARPET ASSY, RH (NOTE 1) (REPLACED BY . . . . . 206-070-772-018)	1		B
45	206-070-772-018	.CARPET ASSY, RH (NOTE 1) (REPLACES . . . . . 206-070-772-004)	1		B
46	206-070-775-001	.CARPET ASSY, LH (NOTE 1) . . . . .	1		B
46	206-070-775-003	.CARPET ASSY, LH (NOTE 1) . . . . .	1		B
47	206-070-775-002	.CARPET ASSY, RH (NOTE 1) . . . . .	1		B
47	206-070-775-004	.CARPET ASSY, RH (NOTE 1) . . . . .	1		B
48	206-070-790-009	.COVER, CARPET TRIM, STA.73.0 BOX BEAM (NOTE 1) . .	1		B
48	206-070-790-011	.PANEL ASSY, CARPET TRIM, STA.73.0 BOX BEAM (NOTE 1)	1		B
49	206-070-790-025	..SHELL . . . . .	1		
50	206-070-774-009	.CARPET ASSY (NOTE 1) . . . . .	1		B
50	206-070-774-011	.CARPET ASSY (NOTE 1) . . . . .	1		B
50	206-070-774-027	.CARPET ASSY (NOTE 1) . . . . .	1		B
50	206-070-774-029	.CARPET ASSY (NOTE 1) . . . . .	1		B
	206-070-724-003	.SEAT BELT INSTL (SEE FIG. 23 FOR BREAKDOWN) . . . . . (USBL ON 206-070-795-009)	1		
	206-070-724-007	.SEAT BELT INSTL (SEE FIG. 23 FOR BREAKDOWN) . . . . . (USBL ON 206-070-795-011)	1		
	206-070-724-013	.SEAT BELT INSTL (SEE FIG. 23 FOR BREAKDOWN) . . . . . (USBL ON 206-072-500-001,-003 AND -005)	1		
		NOTE 1: WHEN ORDERING SPECIFY HELICOPTER SERIAL NUMBER			

(1) INDEX NUMBER	(2) PART NUMBER	(3) ITEM NAME	(4) UNIT PER ASSY	(5) A V A I L	(6) U O C																																							
		<p><b>FIGURE: 25-9. Interior installation; trim installation, utility (S/N 4 thru 3566) (Cont'd)</b></p> <p style="text-align: center;">USABLE ON CODES</p> <table border="0" style="width: 100%;"> <thead> <tr> <th style="text-align: left;">CODE</th> <th style="text-align: left;">MODEL</th> <th style="text-align: left;">SERIAL NUMBER</th> </tr> </thead> <tbody> <tr><td>A</td><td>206A</td><td>4-583</td></tr> <tr><td>B</td><td>206A/B</td><td>4-1163</td></tr> <tr><td>C</td><td>206A/B</td><td>4-1413</td></tr> <tr><td>D</td><td>206A/B</td><td>4-1750</td></tr> <tr><td>E</td><td>206A/B/BIII</td><td>4-3121</td></tr> <tr><td>F</td><td>206A/B</td><td>584-1413</td></tr> <tr><td>G</td><td>206B</td><td>1164-1750</td></tr> <tr><td>H</td><td>206B/BIII</td><td>1164-3121</td></tr> <tr><td>J</td><td>206B/BIII</td><td>1164-3566</td></tr> <tr><td>K</td><td>206B/BIII</td><td>1414-3566</td></tr> <tr><td>L</td><td>206B/BIII</td><td>1751-3566</td></tr> <tr><td>M</td><td>206BIII</td><td>3122-3566</td></tr> </tbody> </table> <p>1) UNLESS A USABLE ON PART NUMBER IS LISTED IN THE ITEM NAME COLUMN; NO CODE INDICATES THE PART APPLIES TO ALL SERIAL NUMBERS.</p> <p>2) IF THE SERIAL NUMBER IS BLANK THE PART APPLIES TO ALL SERIAL NUMBERS FOR THAT MODEL.</p>	CODE	MODEL	SERIAL NUMBER	A	206A	4-583	B	206A/B	4-1163	C	206A/B	4-1413	D	206A/B	4-1750	E	206A/B/BIII	4-3121	F	206A/B	584-1413	G	206B	1164-1750	H	206B/BIII	1164-3121	J	206B/BIII	1164-3566	K	206B/BIII	1414-3566	L	206B/BIII	1751-3566	M	206BIII	3122-3566			
CODE	MODEL	SERIAL NUMBER																																										
A	206A	4-583																																										
B	206A/B	4-1163																																										
C	206A/B	4-1413																																										
D	206A/B	4-1750																																										
E	206A/B/BIII	4-3121																																										
F	206A/B	584-1413																																										
G	206B	1164-1750																																										
H	206B/BIII	1164-3121																																										
J	206B/BIII	1164-3566																																										
K	206B/BIII	1414-3566																																										
L	206B/BIII	1751-3566																																										
M	206BIII	3122-3566																																										



206A/B/B3-25-1010  
C000

Figure 25-10. Interior installation, custom (S/N 4 thru 1163)

(1) INDEX NUMBER	(2) PART NUMBER	(3) ITEM NAME	(4) UNIT PER ASSY	(5) A V A I L	(6) U O C
		<b>FIGURE: 25-10. Interior installation, custom (S/N 4 thru 1163)</b>			
	206-070-795-001	INTERIOR INSTL, CUSTOM VINYL (SEE FIG. 1,4,11,12 . . . FOR BALANCE OF BREAKDOWN)	1		
	206-070-795-003	INTERIOR INSTL, CUSTOM VINYL (SEE FIG. 1,4,11,12 . . . FOR BALANCE OF BREAKDOWN)	1		
	206-070-795-005	INTERIOR INSTL, CUSTOM VINYL (SEE FIG. 1,4,11,12 . . . FOR BALANCE OF BREAKDOWN)	1		
	206-070-795-007	INTERIOR INSTL, CUSTOM VINYL (SEE FIG. 1,4,11,12 . . . FOR BALANCE OF BREAKDOWN)	1		
1	AN509-10R10	.SCREW (REPLACED BY MS24694S52) . . . . .	16		
1	MS24694S52	.SCREW (REPLACES AN509-10R10) . . . . .	16		
2	AN509-10R15	.SCREW (REPLACED BY MS24694S57) . . . . .	8		
2	MS24694S57	.SCREW (REPLACES AN509-10R15) . . . . .	8		
3	206-070-726-001	.HEEL REST ASSY . . . . .	3		A
3	206-070-589-001	.HEEL REST ASSY . . . . .	3		B
4	206-070-726-003	.HEEL REST ASSY . . . . .	1		A
4	206-070-589-003	.HEEL REST ASSY . . . . .	1		B
5	206-070-771-001	.CARPET ASSY, CREW (NOTE 1) (USBL ON . . . . . 206-070-795-001) (REPLACED BY 206-070-771-025)	1		
5	206-070-771-025	.CARPET ASSY, CREW (NOTE 1) (USBL ON . . . . . 206-070-795-001) (REPLACES 206-070-771-001)	1		
5	206-070-771-002	.CARPET ASSY, CREW (NOTE 1) (USBL ON . . . . . 206-070-795-001) (REPLACED BY 206-070-771-026)	1		
5	206-070-771-026	.CARPET ASSY, CREW (NOTE 1) (USBL ON . . . . . 206-070-795-001) (REPLACES 206-070-771-002)	1		
5	206-070-771-003	.CARPET ASSY, CREW (NOTE 1) (USBL ON . . . . . 206-070-795-003) (REPLACED BY 206-070-771-027)	1		
5	206-070-771-027	.CARPET ASSY, CREW (NOTE 1) (USBL ON . . . . . 206-070-795-003) (REPLACES 206-070-771-003)	1		
5	206-070-771-004	.CARPET ASSY, CREW (NOTE 1) (USBL ON . . . . . 206-070-795-003) (REPLACED BY 206-070-771-028)	1		
5	206-070-771-028	.CARPET ASSY, CREW (NOTE 1) (USBL ON . . . . . 206-070-795-003) (REPLACES 206-070-771-004)	1		
5	206-070-771-005	.CARPET ASSY, CREW (NOTE 1) (USBL ON . . . . . 206-070-795-005) (REPLACED BY 206-070-771-029)	1		
5	206-070-771-029	.CARPET ASSY, CREW (NOTE 1) (USBL ON . . . . . 206-070-795-005) (REPLACES 206-070-771-005)	1		
5	206-070-771-006	.CARPET ASSY, CREW (NOTE 1) (USBL ON . . . . . 206-070-795-005) (REPLACED BY 206-070-771-030)	1		
5	206-070-771-030	.CARPET ASSY, CREW (NOTE 1) (USBL ON . . . . . 206-070-795-005) (REPLACES 206-070-771-006)	1		
5	206-070-771-007	.CARPET ASSY, CREW (NOTE 1) (USBL ON . . . . . 206-070-795-007) (REPLACED BY 206-070-771-031)	1		
5	206-070-771-031	.CARPET ASSY, CREW (NOTE 1) (USBL ON . . . . . 206-070-795-007) (REPLACES 206-070-771-007)	1		
5	206-070-771-008	.CARPET ASSY, CREW (NOTE 1) (USBL ON . . . . . 206-070-795-007) (REPLACED BY 206-070-771-032)	1		
5	206-070-771-032	.CARPET ASSY, CREW (NOTE 1) (USBL ON . . . . . 206-070-795-007) (REPLACES 206-070-771-008)	1		
	206-070-725-007	.SCUFF PLATE INSTL, LH FRONT . . . . .	1		

(1) INDEX NUMBER	(2) PART NUMBER	(3) ITEM NAME	(4) UNIT PER ASSY	(5) A V A I L	(6) U O C
		<b>FIGURE: 25-10. Interior installation, custom (S/N 4 thru 1163) (Cont'd)</b>			
	206-070-725-008	.SCUFF PLATE INSTL, RH FRONT . . . . .	1		
6	AN520-10R8	..SCREW (REPLACED BY MS35207-263) . . . . .	3		
6	MS35207-263	..SCREW (REPLACES AN520-10R8) . . . . .	3		
7	AN960C10L	..WASHER . . . . .	3		
8	206-070-725-005	..SCUFF PLATE, LH FRONT . . . . .	1		
8	206-070-725-006	..SCUFF PLATE, RH FRONT . . . . .	1		
9	206-001-017-005	.BOOT ASSY, COLLECTIVE (NOTE 1) (USBL ON . . . . . 206-070-795-001) (REPLACED BY 206-001-017-025)	2		
9	206-001-017-009	.BOOT ASSY, COLLECTIVE (NOTE 1) (USBL ON . . . . . 206-070-795-003) (REPLACED BY 206-001-017-025)	2		
9	206-001-017-013	.BOOT ASSY, COLLECTIVE (NOTE 1) (USBL ON . . . . . 206-070-795-005) (REPLACED BY 206-001-017-025)	2		
9	206-001-017-017	.BOOT ASSY, COLLECTIVE (NOTE 1) (USBL ON . . . . . 206-070-795-007) (REPLACED BY 206-001-017-025)	2		
9	206-001-017-025	.BOOT ASSY, COLLECTIVE (NOTE 1) (REPLACES . . . . . 206-001-017-005, -009, -013 AND -017)	2		
10	AN227-11B	..BUTTON (REPLACED BY MS27981-1B) . . . . .	10		
10	MS27981-1B	..BUTTON (REPLACES AN227-11B) . . . . .	10		
11	AN227-12B	..SOCKET . . . . .	10		
12	AN227-13B	..STUD (REPLACED BY MS27981-4B) . . . . .	2		
12	MS27981-4B	..STUD (REPLACES AN227-13B) . . . . .	2		
13	AN227-14B	..EYELET (REPLACED BY MS27981-5B) . . . . .	2		
13	MS27981-5B	..EYELET (REPLACES AN227-14B) . . . . .	2		
14	AN229-18L30-1	..FASTENER . . . . .	1		
15	AN525-832R7	..SCREW . . . . .	8		
16	AN525-832R12	..SCREW . . . . .	4		
17	206-001-361-009	.BOOT ASSY, CYCLIC (NOTE 1) (USBL ON . . . . . 206-070-795-001) (REPLACED BY 206-001-361-039)	2		
17	206-001-361-015	.BOOT ASSY, CYCLIC (NOTE 1) (USBL ON . . . . . 206-070-795-003) (REPLACED BY 206-001-361-039)	2		
17	206-001-361-021	.BOOT ASSY, CYCLIC (NOTE 1) (USBL ON . . . . . 206-070-795-005) (REPLACED BY 206-001-361-039)	2		
17	206-001-361-027	.BOOT ASSY, CYCLIC (NOTE 1) (USBL ON . . . . . 206-070-795-007) (REPLACED BY 206-001-361-039)	2		
17	206-001-361-039	.BOOT ASSY, CYCLIC (NOTE 1) (REPLACES . . . . . 206-001-361-009, -015, -021 AND -027)	2		
18	AN227-11B	..BUTTON (REPLACED BY MS27981-1B) . . . . .	2		
18	MS27981-1B	..BUTTON (REPLACES AN227-11B) . . . . .	2		
19	AN227-12B	..SOCKET . . . . .	2		
20	AN227-13B	..STUD (REPLACED BY MS27981-4B) . . . . .	2		
20	MS27981-4B	..STUD (REPLACES AN227-13B) . . . . .	2		
21	AN227-14B	..EYELET (REPLACED BY MS27981-5B) . . . . .	2		
21	MS27981-5B	..EYELET (REPLACES AN227-14B) . . . . .	2		
22	206-070-757-001	.PANEL ASSY (NOTE 1) (USBL ON 206-070-795-001) . . .	1		
22	206-070-757-003	.PANEL ASSY (NOTE 1) (USBL ON 206-070-795-003) . . .	1		
22	206-070-757-005	.PANEL ASSY (NOTE 1) (USBL ON 206-070-795-005) . . .	1		
22	206-070-757-007	.PANEL ASSY (NOTE 1) (USBL ON 206-070-795-007) . . .	1		
23	206-070-757-002	.PANEL ASSY (NOTE 1) (USBL ON 206-070-795-001) . . .	1		
23	206-070-757-004	.PANEL ASSY (NOTE 1) (USBL ON 206-070-795-003) . . .	1		

(1) INDEX NUMBER	(2) PART NUMBER	(3) ITEM NAME	(4) UNIT PER ASSY	(5) A V A I L	(6) U O C
		<b>FIGURE: 25-10. Interior installation, custom (S/N 4 thru 1163) (Cont'd)</b>			
23	206-070-757-006	.PANEL ASSY (NOTE 1) (USBL ON 206-070-795-005) . . .	1		
23	206-070-757-008	.PANEL ASSY (NOTE 1) (USBL ON 206-070-795-007) . . .	1		
	206-070-724-003	.SEAT BELT INSTL (SEE FIG. 23 FOR BREAKDOWN) . . . . . (USBL ON 206-070-795-001) (REPLACED BY 206-070-724-013)	1		
	206-070-724-005	.SEAT BELT INSTL (SEE FIG. 23 FOR BREAKDOWN) . . . . . (USBL ON 206-070-795-003) (REPLACED BY 206-070-724-013)	1		
	206-070-724-007	.SEAT BELT INSTL (SEE FIG. 23 FOR BREAKDOWN) . . . . . (USBL ON 206-070-795-005) (REPLACED BY 206-070-724-013)	1		
	206-070-724-009	.SEAT BELT INSTL (SEE FIG. 23 FOR BREAKDOWN) . . . . . (USBL ON 206-070-795-007) (REPLACED BY 206-070-724-013)	1		
	206-070-724-013	.SEAT BELT INSTL (SEE FIG. 23 FOR BREAKDOWN) . . . . . (REPLACES 206-070-724-003, -005, -007 AND -009)	1		
24	206-070-773-001	.CARPET ASSY, CREW COMPARTMENT BHD (NOTE 1) . . . . . (USBL ON 206-070-795-001)	1		
24	206-070-773-003	.CARPET ASSY, CREW COMPARTMENT BHD (NOTE 1) . . . . . (USBL ON 206-070-795-003)	1		
24	206-070-773-005	.CARPET ASSY, CREW COMPARTMENT BHD (NOTE 1) . . . . . (USBL ON 206-070-795-005)	1		
24	206-070-773-007	.CARPET ASSY, CREW COMPARTMENT BHD (NOTE 1) . . . . . (USBL ON 206-070-795-007)	1		
25	NAS388-8-12P	.SCREW (REPLACED BY 120-079-8-12) . . . . .	8		
25	120-079-8-12	.SCREW (REPLACES NAS388-8-12P) . . . . .	8		
26	140-017-8SP	.WASHER (REPLACED BY 140-017-8SC) . . . . .	8		
26	140-017-8SC	.WASHER (REPLACES 140-017-8SP) . . . . .	8		
27	206-070-794-003	.SKIRT ASSY, OUTBD (NOTE 1) (USBL ON . . . . . 206-070-795-001)	1		
27	206-070-794-009	.SKIRT ASSY, OUTBD (NOTE 1) (USBL ON . . . . . 206-070-795-003)	1		
27	206-070-794-015	.SKIRT ASSY, OUTBD (NOTE 1) (USBL ON . . . . . 206-070-795-005)	1		
27	206-070-794-021	.SKIRT ASSY, OUTBD (NOTE 1) (USBL ON . . . . . 206-070-795-007)	1		
27	206-070-794-004	.SKIRT ASSY, OUTBD (NOTE 1) (USBL ON . . . . . 206-070-795-001)	1		
27	206-070-794-010	.SKIRT ASSY, OUTBD (NOTE 1) (USBL ON . . . . . 206-070-795-003)	1		
27	206-070-794-016	.SKIRT ASSY, OUTBD (NOTE 1) (USBL ON . . . . . 206-070-795-005)	1		
27	206-070-794-022	.SKIRT ASSY, OUTBD (NOTE 1) (USBL ON . . . . . 206-070-795-007)	1		
28	206-070-794-005	.SKIRT ASSY, INBD (NOTE 1) (USBL ON . . . . . 206-070-795-001)	1		
28	206-070-794-011	.SKIRT ASSY, INBD (NOTE 1) (USBL ON . . . . . 206-070-795-003)	1		

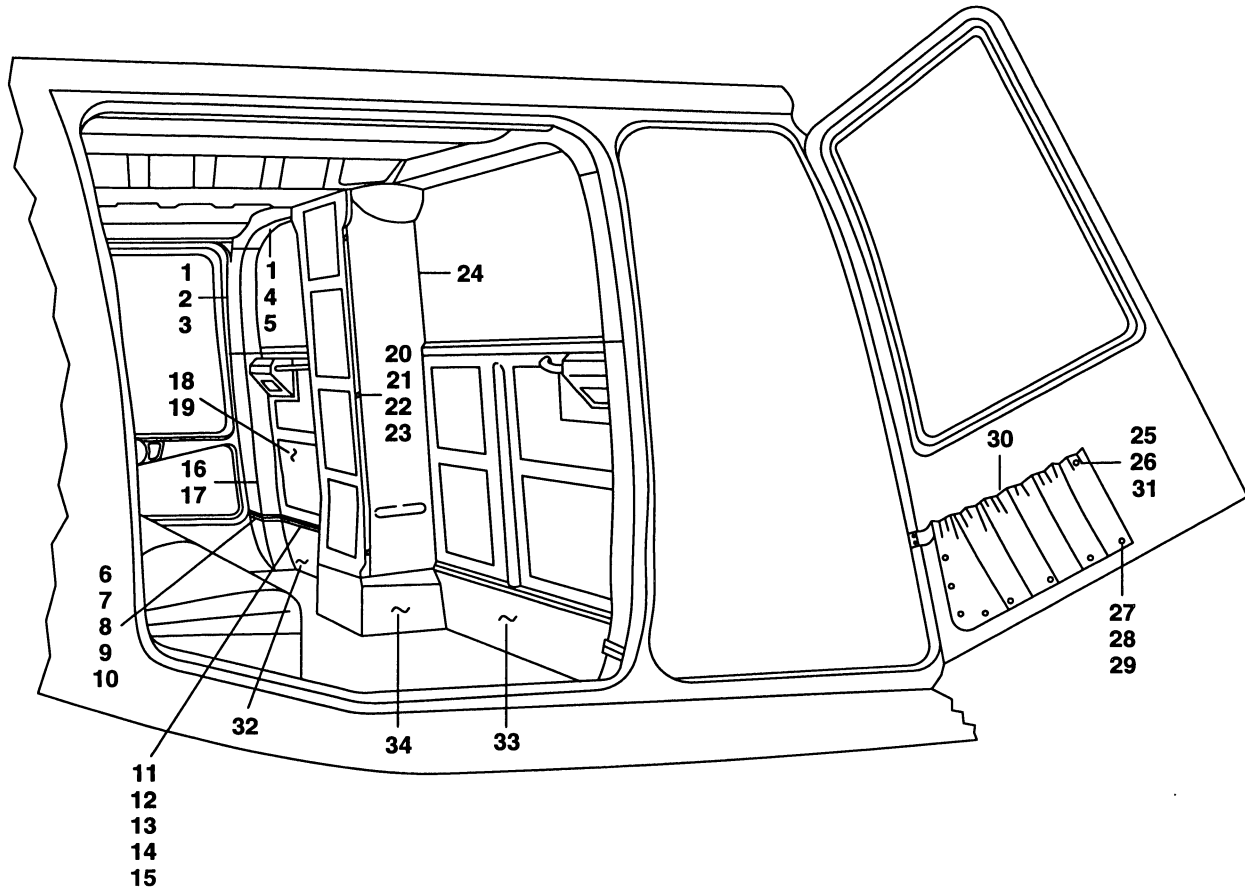
(1) INDEX NUMBER	(2) PART NUMBER	(3) ITEM NAME	(4) UNIT PER ASSY	(5) A V A I L	(6) U O C
<b>FIGURE: 25-10. Interior installation, custom (S/N 4 thru 1163) (Cont'd)</b>					
28	206-070-794-017	.SKIRT ASSY, INBD (NOTE 1) (USBL ON . . . . . 206-070-795-005)	1		
28	206-070-794-023	.SKIRT ASSY, INBD (NOTE 1) (USBL ON . . . . . 206-070-795-007)	1		
28	206-070-794-006	.SKIRT ASSY, INBD (NOTE 1) (USBL ON . . . . . 206-070-795-001)	1		
28	206-070-794-012	.SKIRT ASSY, INBD (NOTE 1) (USBL ON . . . . . 206-070-795-003)	1		
28	206-070-794-018	.SKIRT ASSY, INBD (NOTE 1) (USBL ON . . . . . 206-070-795-005)	1		
28	206-070-794-024	.SKIRT ASSY, INBD (NOTE 1) (USBL ON . . . . . 206-070-795-007)	1		
29	206-070-789-003	.TRIM ASSY, UPPER CENTER POST . . . . .	1		
30	NAS1329A06-75	.RIVNUT, BLIND . . . . .	2		
31	140-017-6SP	.WASHER (REPLACED BY 140-017-6SC) . . . . .	2		
31	140-017-6SC	.WASHER (REPLACES 140-017-6SP) . . . . .	2		
32	NAS388-6-8SP	.SCREW . . . . .	2		
33	206-070-798-001	.TRIM ASSY . . . . .	1		
34	206-070-762-001	.PANEL TRIM, FWD, CENTER POST . . . . .	1		
35	206-070-764-001	.PANEL ASSY, TRIM, CREW SEAT BACK, CUSTOM (NOTE . . 1) (USBL ON 206-070-795-001)	1		
35	206-070-764-003	.PANEL ASSY, TRIM, CREW SEAT BACK, CUSTOM (NOTE . . 1) (USBL ON 206-070-795-003)	1		
35	206-070-764-005	.PANEL ASSY, TRIM, CREW SEAT BACK, CUSTOM (NOTE . . 1) (USBL ON 206-070-795-005)	1		
35	206-070-764-007	.PANEL ASSY, TRIM, CREW SEAT BACK, CUSTOM (NOTE . . 1) (USBL ON 206-070-795-007)	1		
36	NAS1329A06-75	.RIVNUT, BLIND . . . . .	20		
37	140-017-6SP	.WASHER (REPLACED BY 140-017-6SC) . . . . .	20		
37	140-017-6SC	.WASHER (REPLACES 140-017-6SP) . . . . .	20		
38	140-005-6-6-8	.WASHER . . . . .	20		
39	NAS388-6-16P	.SCREW (REPLACED BY 120-079-6-16) . . . . .	20		
39	120-079-6-16	.SCREW (REPLACES NAS388-6-16P) . . . . .	20		
40	206-070-780-001	.TRIM, WINDOW, CREW DOOR, LH (NOTE 1) (USBL ON . . . 206-070-795-001)	1		
40	206-070-780-003	.TRIM, WINDOW, CREW DOOR, LH (NOTE 1) (USBL ON . . . 206-070-795-003)	1		
40	206-070-780-005	.TRIM, WINDOW, CREW DOOR, LH (NOTE 1) (USBL ON . . . 206-070-795-005)	1		
40	206-070-780-007	.TRIM, WINDOW, CREW DOOR, LH (NOTE 1) (USBL ON . . . 206-070-795-007)	1		
41	206-070-780-002	.TRIM, WINDOW, CREW DOOR, RH (NOTE 1) (USBL ON . . . 206-070-795-001)	1		
41	206-070-780-004	.TRIM, WINDOW, CREW DOOR, RH (NOTE 1) (USBL ON . . . 206-070-795-003)	1		
41	206-070-780-006	.TRIM, WINDOW, CREW DOOR, RH (NOTE 1) (USBL ON . . . 206-070-795-005)	1		
41	206-070-780-008	.TRIM, WINDOW, CREW DOOR, RH (NOTE 1) (USBL ON . . . 206-070-795-007)	1		



(1) INDEX NUMBER	(2) PART NUMBER	(3) ITEM NAME	(4) UNIT PER ASSY	(5) A V A I L	(6) U O C
		<b>FIGURE: 25-10. Interior installation, custom (S/N 4 thru 1163) (Cont'd)</b>			
42	206-070-780-011	.TRIM, WINDOW, CREW DOOR, LH (NOTE 1) (USBL ON . . . 206-070-795-001)	2		
42	206-070-780-013	.TRIM, WINDOW, CREW DOOR, LH (NOTE 1) (USBL ON . . . 206-070-795-003)	2		
42	206-070-780-015	.TRIM, WINDOW, CREW DOOR, LH (NOTE 1) (USBL ON . . . 206-070-795-005)	2		
42	206-070-780-017	.TRIM, WINDOW, CREW DOOR, LH (NOTE 1) (USBL ON . . . 206-070-795-007)	2		
43	206-070-780-021	.TRIM, WINDOW, CREW DOOR, RH (NOTE 1) (USBL ON . . . 206-070-795-001)	2		
43	206-070-780-023	.TRIM, WINDOW, CREW DOOR, RH (NOTE 1) (USBL ON . . . 206-070-795-003)	2		
43	206-070-780-025	.TRIM, WINDOW, CREW DOOR, RH (NOTE 1) (USBL ON . . . 206-070-795-005)	2		
43	206-070-780-027	.TRIM, WINDOW, CREW DOOR, RH (NOTE 1) (USBL ON . . . 206-070-795-007)	2		
44	206-070-780-031	.TRIM, WINDOW, CREW DOOR, LH (NOTE 1) (USBL ON . . . 206-070-795-001)	1		
44	206-070-780-033	.TRIM, WINDOW, CREW DOOR, LH (NOTE 1) (USBL ON . . . 206-070-795-003)	1		
44	206-070-780-035	.TRIM, WINDOW, CREW DOOR, LH (NOTE 1) (USBL ON . . . 206-070-795-005)	1		
44	206-070-780-037	.TRIM, WINDOW, CREW DOOR, LH (NOTE 1) (USBL ON . . . 206-070-795-007)	1		
44	206-070-780-041	.TRIM, WINDOW, CREW DOOR, LH (NOTE 1) (USBL ON . . . 206-070-795-001)	1		
44	206-070-780-043	.TRIM, WINDOW, CREW DOOR, LH (NOTE 1) (USBL ON . . . 206-070-795-003)	1		
44	206-070-780-045	.TRIM, WINDOW, CREW DOOR, LH (NOTE 1) (USBL ON . . . 206-070-795-005)	1		
44	206-070-780-047	.TRIM, WINDOW, CREW DOOR, LH (NOTE 1) (USBL ON . . . 206-070-795-007)	1		
45	206-070-780-032	.TRIM, WINDOW, CREW DOOR, RH (NOTE 1) (USBL ON . . . 206-070-795-001)	1		
45	206-070-780-034	.TRIM, WINDOW, CREW DOOR, RH (NOTE 1) (USBL ON . . . 206-070-795-003)	1		
45	206-070-780-036	.TRIM, WINDOW, CREW DOOR, RH (NOTE 1) (USBL ON . . . 206-070-795-005)	1		
45	206-070-780-038	.TRIM, WINDOW, CREW DOOR, RH (NOTE 1) (USBL ON . . . 206-070-795-007)	1		
45	206-070-780-042	.TRIM, WINDOW, CREW DOOR, RH (NOTE 1) (USBL ON . . . 206-070-795-001)	1		
45	206-070-780-044	.TRIM, WINDOW, CREW DOOR, RH (NOTE 1) (USBL ON . . . 206-070-795-003)	1		
45	206-070-780-046	.TRIM, WINDOW, CREW DOOR, RH (NOTE 1) (USBL ON . . . 206-070-795-005)	1		
45	206-070-780-048	.TRIM, WINDOW, CREW DOOR, RH (NOTE 1) (USBL ON . . . 206-070-795-007)	1		
46	C60184AA-020	.FASTENER . . . . .	2		

(1) INDEX NUMBER	(2) PART NUMBER	(3) ITEM NAME	(4) UNIT PER ASSY	(5) A V A I L	(6) U O C
<b>FIGURE: 25-10. Interior installation, custom (S/N 4 thru 1163) (Cont'd)</b>					
47	C60207AA-020	.FASTENER . . . . .	4		
48	206-070-778-001	.PANEL, FWD OVERHEAD CENTER (REPLACED BY . . . . . 206-070-778-005)	1		
48	206-070-778-005	.PANEL, FWD OVERHEAD CENTER (REPLACES . . . . . 206-070-778-001)	1		
49	NAS1329A06-75	.RIVNUT, BLIND . . . . .	4		
50	140-017-6SP	.WASHER (REPLACED BY 140-017-6SC) . . . . .	4		
50	140-017-6SC	.WASHER (REPLACES 140-017-6SP) . . . . .	4		
51	NAS388-6-12P	.SCREW . . . . .	4		
52	206-070-760-001	.TRIM, FWD CABIN FRAME, LH, CUSTOM . . . . .	1		
53	206-070-760-002	.TRIM, FWD CABIN FRAME, RH, CUSTOM . . . . .	1		
54	206-070-759-001	.TRIM, CREW DOOR FRAME, UPPER, LH . . . . .	1		
55	206-070-759-003	.TRIM . . . . .	1		
56	206-070-759-002	.TRIM, CREW DOOR FRAME, UPPER, RH . . . . .	1		
57	206-070-759-004	.TRIM . . . . .	1		
58	C60207AA-020	.FASTENER . . . . .	8		
59	206-070-758-001	.TRIM, FWD DOOR POST, LH . . . . .	1		
60	206-070-758-002	.TRIM, FWD DOOR POST, RH . . . . .	1		
61	206-070-782-001	.PANEL ASSY, TRIM, CREW DOOR, LOWER, CUSTOM, LH . . . (NOTE 1) (USBL ON 206-070-795-001)	1		
61	206-070-782-003	.PANEL ASSY, TRIM, CREW DOOR, LOWER, CUSTOM, LH . . . (NOTE 1) (USBL ON 206-070-795-003)	1		
61	206-070-782-005	.PANEL ASSY, TRIM, CREW DOOR, LOWER, CUSTOM, LH . . . (NOTE 1) (USBL ON 206-070-795-005)	1		
61	206-070-782-007	.PANEL ASSY, TRIM, CREW DOOR, LOWER, CUSTOM, LH . . . (NOTE 1) (USBL ON 206-070-795-007)	1		
62	206-070-782-002	.PANEL ASSY, TRIM, CREW DOOR, LOWER, CUSTOM, RH . . . (NOTE 1) (USBL ON 206-070-795-001)	1		
62	206-070-782-004	.PANEL ASSY, TRIM, CREW DOOR, LOWER, CUSTOM, RH . . . (NOTE 1) (USBL ON 206-070-795-003)	1		
62	206-070-782-006	.PANEL ASSY, TRIM, CREW DOOR, LOWER, CUSTOM, RH . . . (NOTE 1) (USBL ON 206-070-795-005)	1		
62	206-070-782-008	.PANEL ASSY, TRIM, CREW DOOR, LOWER, CUSTOM, RH . . . (NOTE 1) (USBL ON 206-070-795-007)	1		
63	AN525-832R7	.SCREW . . . . .	4		
64	NAS43DD3-8	.SPACER . . . . .	4		
65	206-070-784-005	.PANEL ASSY, TRIM, CREW DOOR, LH . . . . .	1		
66	206-070-784-006	.PANEL ASSY, TRIM, CREW DOOR, RH . . . . .	1		
NOTE 1: WHEN ORDERING SPECIFY HELICOPTER SERIAL NUMBER					

(1) INDEX NUMBER	(2) PART NUMBER	(3) ITEM NAME	(4) UNIT PER ASSY	(5) A V A I L	(6) U O C									
		<p><b>FIGURE: 25-10. Interior installation, custom (S/N 4 thru 1163) (Cont'd)</b></p> <p style="text-align: center;">USABLE ON CODES</p> <table border="0" style="margin-left: auto; margin-right: auto;"> <thead> <tr> <th style="text-align: left;">CODE</th> <th style="text-align: left;">MODEL</th> <th style="text-align: left;">SERIAL NUMBER</th> </tr> </thead> <tbody> <tr> <td>A</td> <td>206A</td> <td>4-448</td> </tr> <tr> <td>B</td> <td>206A</td> <td>449-1163</td> </tr> </tbody> </table> <p>1) UNLESS A USABLE ON PART NUMBER IS LISTED IN THE ITEM NAME COLUMN; NO CODE INDICATES THE PART APPLIES TO ALL SERIAL NUMBERS .</p> <p>2) IF THE SERIAL NUMBER IS BLANK THE PART APPLIES TO ALL SERIAL NUMBERS FOR THAT MODEL .</p>	CODE	MODEL	SERIAL NUMBER	A	206A	4-448	B	206A	449-1163			
CODE	MODEL	SERIAL NUMBER												
A	206A	4-448												
B	206A	449-1163												



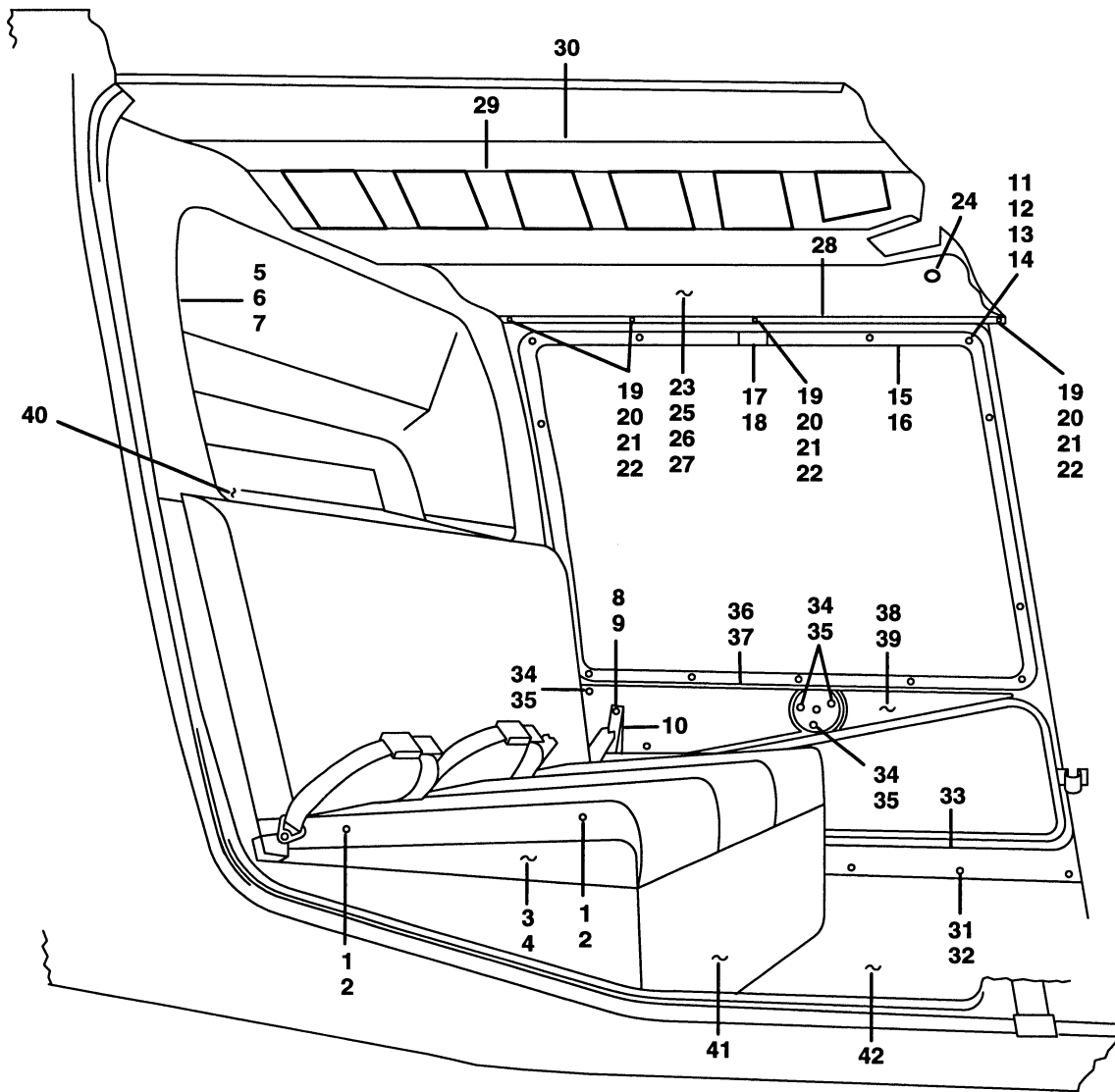
206A/B/B3-25-1011  
C0000

Figure 25-11. Interior installation, custom (S/N 4 thru 1163)

(1) INDEX NUMBER	(2) PART NUMBER	(3) ITEM NAME	(4) UNIT PER ASSY	(5) A V A I L	(6) U O C
		<b>FIGURE: 25-11. Interior installation, custom (S/N 4 thru 1163)</b>			
	206-070-795-001	INTERIOR INSTL, CUSTOM VINYL (SEE FIG. 1,4,10,12 . . . FOR BALANCE OF BREAKDOWN)	REF		
	206-070-795-003	INTERIOR INSTL, CUSTOM VINYL (SEE FIG. 1,4,10,12 . . . FOR BALANCE OF BREAKDOWN)	REF		
	206-070-795-005	INTERIOR INSTL, CUSTOM VINYL (SEE FIG. 1,4,10,12 . . . FOR BALANCE OF BREAKDOWN)	REF		
	206-070-795-007	INTERIOR INSTL, CUSTOM VINYL (SEE FIG. 1,4,10,12 . . . FOR BALANCE OF BREAKDOWN)	REF		
1	C60207AA-020	.FASTENER . . . . .	8		
2	206-070-761-001	.TRIM, CENTER SECTION, BHD RING, LH . . . . .	1		
3	206-070-761-002	.TRIM, CENTER SECTION, BHD RING, RH . . . . .	1		
4	206-070-766-001	.TRIM ASSY, BHD, UPPER RING, LH . . . . .	1		
5	206-070-766-002	.TRIM ASSY, BHD, UPPER RING, RH . . . . .	1		
6	NAS1329A06-75	.RIVNUT, BLIND . . . . .	4		
7	140-017-6SP	.WASHER (REPLACED BY 140-017-6SC) . . . . .	4		
7	140-017-6SC	.WASHER (REPLACES 140-017-6SP) . . . . .	4		
8	NAS388-6-16P	.SCREW (REPLACED BY 120-079-6-16) . . . . .	4		
8	120-079-6-16	.SCREW (REPLACES NAS388-6-16P) . . . . .	4		
9	206-070-791-001	.MOLDING, CARPET TRIM, BHD, LH (NOTE 1) (USBL ON . . . 206-070-795-001)	1		
9	206-070-791-003	.MOLDING, CARPET TRIM, BHD, LH (NOTE 1) (USBL ON . . . 206-070-795-003)	1		
9	206-070-791-005	.MOLDING, CARPET TRIM, BHD, LH (NOTE 1) (USBL ON . . . 206-070-795-005)	1		
9	206-070-791-007	.MOLDING, CARPET TRIM, BHD, LH (NOTE 1) (USBL ON . . . 206-070-795-007)	1		
10	206-070-791-002	.MOLDING, CARPET TRIM, BHD, RH (NOTE 1) (USBL ON . . . 206-070-795-001)	1		
10	206-070-791-004	.MOLDING, CARPET TRIM, BHD, RH (NOTE 1) (USBL ON . . . 206-070-795-003)	1		
10	206-070-791-006	.MOLDING, CARPET TRIM, BHD, RH (NOTE 1) (USBL ON . . . 206-070-795-005)	1		
10	206-070-791-008	.MOLDING, CARPET TRIM, BHD, RH (NOTE 1) (USBL ON . . . 206-070-795-007)	1		
11	NAS1329A06-75	.RIVNUT, BLIND . . . . .	4		
12	140-017-6SP	.WASHER (REPLACED BY 140-017-6SC) . . . . .	4		
12	140-017-6SC	.WASHER (REPLACES 140-017-6SP) . . . . .	4		
13	NAS388-6-16P	.SCREW (REPLACED BY 120-079-6-16) . . . . .	4		
13	120-079-6-16	.SCREW (REPLACES NAS388-6-16P) . . . . .	4		
14	206-070-791-011	.MOLDING, CARPET TRIM, BHD, LH (NOTE 1) (USBL ON . . . 206-070-795-001)	1		
14	206-070-791-013	.MOLDING, CARPET TRIM, BHD, LH (NOTE 1) (USBL ON . . . 206-070-795-003)	1		
14	206-070-791-015	.MOLDING, CARPET TRIM, BHD, LH (NOTE 1) (USBL ON . . . 206-070-795-005)	1		
14	206-070-791-017	.MOLDING, CARPET TRIM, BHD, LH (NOTE 1) (USBL ON . . . 206-070-795-007)	1		
15	206-070-791-012	.MOLDING, CARPET TRIM, BHD, RH (NOTE 1) (USBL ON . . . 206-070-795-001)	1		

(1) INDEX NUMBER	(2) PART NUMBER	(3) ITEM NAME	(4) UNIT PER ASSY	(5) A V A I L	(6) U O C
		<b>FIGURE: 25-11. Interior installation, custom (S/N 4 thru 1163) (Cont'd)</b>			
15	206-070-791-014	.MOLDING, CARPET TRIM, BHD, RH (NOTE 1) (USBL ON 206-070-795-003)	1		
15	206-070-791-016	.MOLDING, CARPET TRIM, BHD, RH (NOTE 1) (USBL ON 206-070-795-005)	1		
15	206-070-791-018	.MOLDING, CARPET TRIM, BHD, RH (NOTE 1) (USBL ON 206-070-795-007)	1		
16	206-070-765-001	.TRIM ASSY, BOTTOM SECTION, BHD RING, LH (NOTE 1) (USBL ON 206-070-795-001)	1		
16	206-070-765-003	.TRIM ASSY, BOTTOM SECTION, BHD RING, LH (NOTE 1) (USBL ON 206-070-795-003)	1		
16	206-070-765-005	.TRIM ASSY, BOTTOM SECTION, BHD RING, LH (NOTE 1) (USBL ON 206-070-795-005)	1		
16	206-070-765-007	.TRIM ASSY, BOTTOM SECTION, BHD RING, LH (NOTE 1) (USBL ON 206-070-795-007)	1		
17	206-070-765-002	.TRIM ASSY, BOTTOM SECTION, BHD RING, RH (NOTE 1) (USBL ON 206-070-795-001)	1		
17	206-070-765-004	.TRIM ASSY, BOTTOM SECTION, BHD RING, RH (NOTE 1) (USBL ON 206-070-795-003)	1		
17	206-070-765-006	.TRIM ASSY, BOTTOM SECTION, BHD RING, RH (NOTE 1) (USBL ON 206-070-795-005)	1		
17	206-070-765-008	.TRIM ASSY, BOTTOM SECTION, BHD RING, RH (NOTE 1) (USBL ON 206-070-795-007)	1		
18	206-070-770-001	.PANEL ASSY, TRIM, CREW SEAT BACK, LH (NOTE 1) (USBL ON 206-070-795-001)	1		
18	206-070-770-003	.PANEL ASSY, TRIM, CREW SEAT BACK, LH (NOTE 1) (USBL ON 206-070-795-003)	1		
18	206-070-770-005	.PANEL ASSY, TRIM, CREW SEAT BACK, LH (NOTE 1) (USBL ON 206-070-795-005)	1		
18	206-070-770-007	.PANEL ASSY, TRIM, CREW SEAT BACK, LH (NOTE 1) (USBL ON 206-070-795-007)	1		
19	206-070-770-002	.PANEL ASSY, TRIM, CREW SEAT BACK, RH (NOTE 1) (USBL ON 206-070-795-001)	1		
19	206-070-770-004	.PANEL ASSY, TRIM, CREW SEAT BACK, RH (NOTE 1) (USBL ON 206-070-795-003)	1		
19	206-070-770-006	.PANEL ASSY, TRIM, CREW SEAT BACK, RH (NOTE 1) (USBL ON 206-070-795-005)	1		
19	206-070-770-008	.PANEL ASSY, TRIM, CREW SEAT BACK, RH (NOTE 1) (USBL ON 206-070-795-007)	1		
20	NAS388-6-16P	.SCREW (REPLACED BY 120-079-6-16)	6		
20	120-079-6-16	.SCREW (REPLACES NAS388-6-16P)	6		
21	140-017-6SP	.WASHER (REPLACED BY 140-017-6SC)	6		
21	140-017-6SC	.WASHER (REPLACES 140-017-6SP)	6		
22	NAS697A06	.NUTPLATE	6		
23	206-070-786-001	.PANEL ASSY, TRIM, BACK, CENTER POST	1		
24	206-070-763-001	.PANEL ASSY, TRIM, SIDE, CENTER POST	1		
24	206-070-763-002	.PANEL ASSY, TRIM, SIDE, CENTER POST	1		
	206-070-792-001	.POCKET INSTL, MAP AND DATA (NOTE 1) (USBL ON 206-070-795-001)	1		

(1) INDEX NUMBER	(2) PART NUMBER	(3) ITEM NAME	(4) UNIT PER ASSY	(5) A V A I L	(6) U O C
		<b>FIGURE: 25-11. Interior installation, custom (S/N 4 thru 1163) (Cont'd)</b>			
	206-070-792-003	.POCKET INSTL, MAP AND DATA (NOTE 1) (USBL ON . . . . 206-070-795-003)	1		
	206-070-792-005	.POCKET INSTL, MAP AND DATA (NOTE 1) (USBL ON . . . . 206-070-795-005)	1		
	206-070-792-007	.POCKET INSTL, MAP AND DATA (NOTE 1) (USBL ON . . . . 206-070-795-007)	1		
25	NAS679A3	..NUT (REPLACED BY MS21042L3) . . . . .	1		
25	MS21042L3	..NUT (REPLACES NAS679A3) . . . . .	1		
26	AN520-10R6	..SCREW (REPLACED BY MS35207-261) . . . . .	1		
26	MS35207-261	..SCREW (REPLACES AN520-10R6) . . . . .	1		
27	NAS1329A06K75	..RIVNUT, BLIND . . . . .	8		
28	AN960PD6	..WASHER (REPLACED BY AN960JD6) . . . . .	8		
28	AN960JD6	..WASHER (REPLACES AN960PD6) . . . . .	8		
29	AN5206R6	..SCREW . . . . .	8		
30	206-070-796-001	..POCKET ASSY, MAP AND DATA (USBL ON . . . . . 206-070-792-001)	1		
30	206-070-796-003	..POCKET ASSY, MAP AND DATA (USBL ON . . . . . 206-070-792-003)	1		
30	206-070-796-005	..POCKET ASSY, MAP AND DATA (USBL ON . . . . . 206-070-792-005)	1		
30	206-070-796-007	..POCKET ASSY, MAP AND DATA (USBL ON . . . . . 206-070-792-007)	1		
31	MS20230B10	...GROMMET . . . . .	1		
32	206-070-776-001	.CARPET ASSY, LH (NOTE 1) (USBL ON . . . . . 206-070-795-001)	1		
32	206-070-776-003	.CARPET ASSY, LH (NOTE 1) (USBL ON . . . . . 206-070-795-003)	1		
32	206-070-776-005	.CARPET ASSY, LH (NOTE 1) (USBL ON . . . . . 206-070-795-005)	1		
32	206-070-776-007	.CARPET ASSY, LH (NOTE 1) (USBL ON . . . . . 206-070-795-007)	1		
33	206-070-776-002	.CARPET ASSY, RH (NOTE 1) (USBL ON . . . . . 206-070-795-001)	1		
33	206-070-776-004	.CARPET ASSY, RH (NOTE 1) (USBL ON . . . . . 206-070-795-003)	1		
33	206-070-776-006	.CARPET ASSY, RH (NOTE 1) (USBL ON . . . . . 206-070-795-005)	1		
33	206-070-776-008	.CARPET ASSY, RH (NOTE 1) (USBL ON . . . . . 206-070-795-007)	1		
34	206-070-790-001	.COVER, CARPET TRIM, STA 73.0 BOX BEAM (NOTE 1) . . . (USBL ON 206-070-795-001)	1		
34	206-070-790-003	.COVER, CARPET TRIM, STA 73.0 BOX BEAM (NOTE 1) . . . (USBL ON 206-070-795-003)	1		
34	206-070-790-005	.COVER, CARPET TRIM, STA 73.0 BOX BEAM (NOTE 1) . . . (USBL ON 206-070-795-005)	1		
34	206-070-790-007	.COVER, CARPET TRIM, STA 73.0 BOX BEAM (NOTE 1) . . . (USBL ON 206-070-795-007)	1		
		NOTE 1: WHEN ORDERING SPECIFY HELICOPTER MODEL AND SERIAL NUMBER			



206A/B/B3-25-1012  
C0000

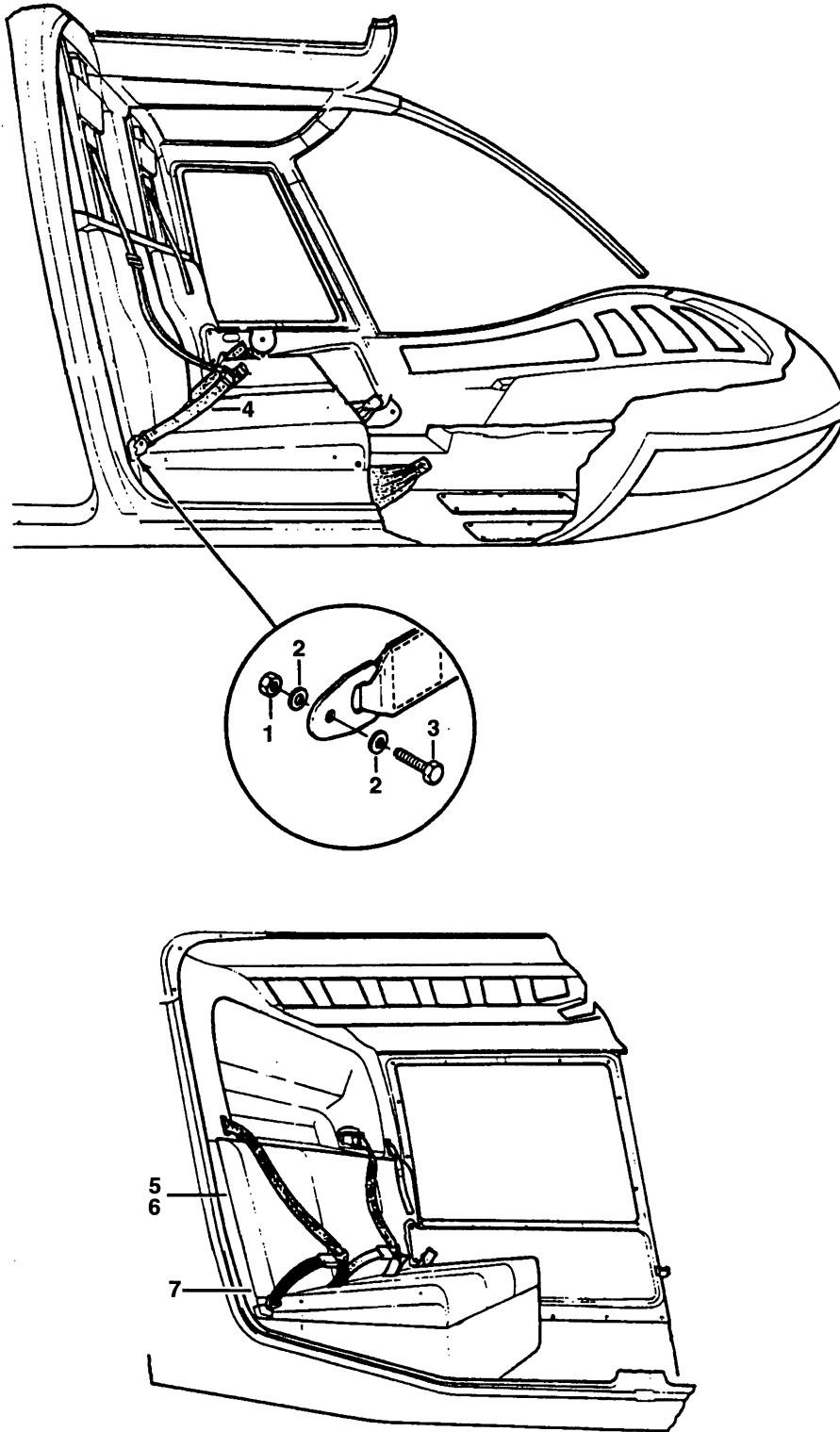
Figure 25-12. Interior installation, custom (S/N 4 thru 1163)



(1) INDEX NUMBER	(2) PART NUMBER	(3) ITEM NAME	(4) UNIT PER ASSY	(5) A V A I L	(6) U O C
		<b>FIGURE: 25-12. Interior installation, custom (S/N 4 thru 1163)</b>			
	206-070-795-001	INTERIOR INSTL, CUSTOM VINYL (SEE FIG. 1,4,10,11 . . . FOR BALANCE OF BREAKDOWN)	REF		
	206-070-795-003	INTERIOR INSTL, CUSTOM VINYL (SEE FIG. 1,4,10,11 . . . FOR BALANCE OF BREAKDOWN)	REF		
	206-070-795-005	INTERIOR INSTL, CUSTOM VINYL (SEE FIG. 1,4,10,11 . . . FOR BALANCE OF BREAKDOWN)	REF		
	206-070-795-007	INTERIOR INSTL, CUSTOM VINYL (SEE FIG. 1,4,10,11 . . . FOR BALANCE OF BREAKDOWN)	REF		
1	NAS388-8-12P	.SCREW (REPLACED BY 120-079-8-12) . . . . .	4		
1	120-079-8-12	.SCREW (REPLACES NAS388-8-12P) . . . . .	4		
2	140-017-8SP	.WASHER (REPLACED BY 140-017-8SC) . . . . .	4		
2	140-017-8SC	.WASHER (REPLACES 140-017-8SP) . . . . .	4		
3	206-070-794-019	.SKIRT ASSY, PASSENGER SEAT (NOTE 1) . . . . .	1		
4	206-070-794-020	.SKIRT ASSY, PASSENGER SEAT (NOTE 1) . . . . .	1		
5	NAS388-10-8P	.SCREW . . . . .	4		
6	140-017-10SP	.WASHER . . . . .	4		
7	206-070-769-001	.HAT BIN ASSY, PASSENGER SEAT (REPLACED BY . . . . . 206-070-994-103)	1		
7	206-070-994-103	.HAT BIN ASSY, PASSENGER SEAT (REPLACES . . . . . 206-070-769-001)	1		
8	120-079-8-14	.SCREW . . . . .	2		
9	140-017-8SC	.WASHER . . . . .	2		
10	206-070-779-001	.STRAP ASSY, DOOR PULL . . . . .	2		
11	NAS1329A06-75	.RIVNUT, BLIND . . . . .	28		
12	140-017-6SP	.WASHER (REPLACED BY 140-017-6SC) . . . . .	28		
12	140-017-6SC	.WASHER (REPLACES 140-017-6SP) . . . . .	28		
13	NAS388-6-16P	.SCREW (REPLACED BY 120-079-6-16) . . . . .	28		
13	120-079-6-16	.SCREW (REPLACES NAS388-6-16P) . . . . .	28		
14	140-005-6-6-8	.WASHER . . . . .	28		
15	206-070-781-007	.TRIM, WINDOW, PASSENGER DOOR, LH (NOTE 1) . . . . .	1		
16	206-070-781-008	.TRIM, WINDOW, PASSENGER DOOR, RH (NOTE 1) . . . . .	1		
17	206-070-781-017	.TRIM, WINDOW, PASSENGER DOOR (NOTE 1) . . . . .	2		
18	206-070-781-035	.TRIM, WINDOW, PASSENGER DOOR (NOTE 1) . . . . .	2		
19	AN520-10R22	.SCREW . . . . .	8		
20	AN960PD10L	.WASHER (REPLACED BY AN960JD10L) . . . . .	8		
20	AN960JD10L	.WASHER (REPLACES AN960PD10L) . . . . .	8		
21	AN960PD10	.WASHER (REPLACED BY AN960JD10) . . . . .	8		
21	AN960JD10	.WASHER (REPLACES AN960PD10) . . . . .	8		
22	NAS43DD3-64	.SPACER . . . . .	8		
23	206-070-767-001	.HEADLINER ASSY, AFT SIDE PANEL, LH . . . . .	1		A
23	206-070-767-005	.HEADLINER ASSY, AFT SIDE PANEL, LH (REPLACED BY . . . 206-070-767-011)	1		B
23	206-070-767-011	.HEADLINER ASSY, AFT SIDE PANEL, LH (REPLACES . . . . . 206-070-767-005)	1		B
24	XS-48175	.PLUG BUTTON . . . . .	1		B
25	V12-2-100	.TAPE . . . . .	1		
26	206-070-767-002	.HEADLINER ASSY, AFT SIDE PANEL, RH (REPLACED BY . . . 206-070-767-012)	1		



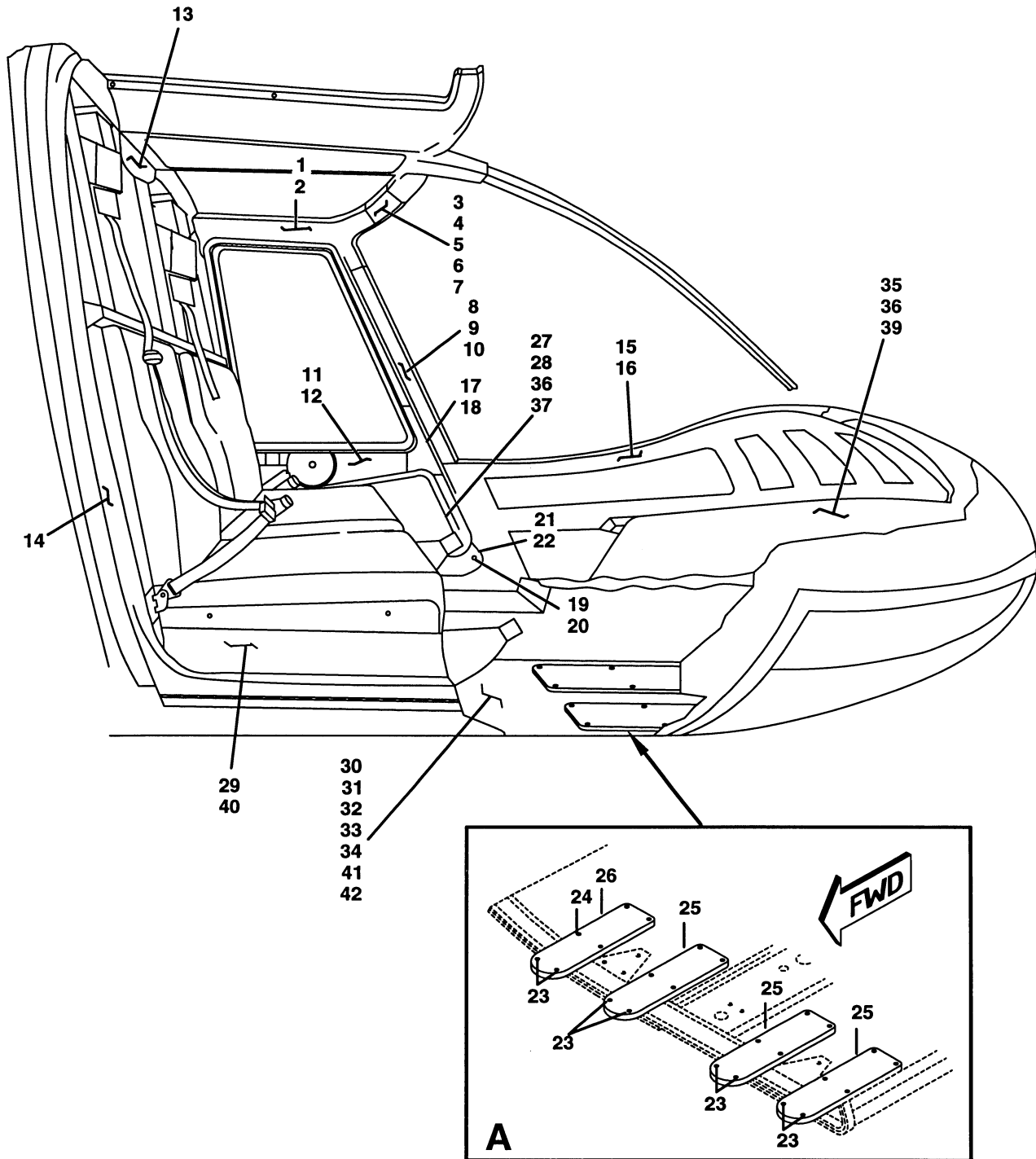
(1) INDEX NUMBER	(2) PART NUMBER	(3) ITEM NAME	(4) UNIT PER ASSY	(5) A V A I L	(6) U O C
		<b>FIGURE: 25-12. Interior installation, custom (S/N 4 thru 1163) (Cont'd)</b>			
26	206-070-767-012	.HEADLINER ASSY, AFT SIDE PANEL, RH (REPLACES . . . . 206-070-767-002)	1		
27	V12-2-100	..TAPE . . . . .	1		
28	927024-75-13	.EXTRUSION, J . . . . .	2		
29	206-070-768-001	.HEADLINER ASSY, AFT CENTER PANEL (REPLACED BY . . . 206-070-768-011)	1		
29	206-070-768-011	.HEADLINER ASSY, AFT CENTER PANEL (REPLACES . . . . . 206-070-768-001)	1		
30	V12-1-100	..TAPE . . . . .	1		
	206-070-725-009	.SCUFF PLATE INSTL, REAR, LH . . . . .	1		
	206-070-725-010	.SCUFF PLATE INSTL, REAR, RH . . . . .	1		
31	AN520-10R8	..SCREW (REPLACED BY MS35207-263) . . . . .	4		
31	MS35207-263	..SCREW (REPLACES AN520-10R8) . . . . .	4		
32	AN960C10L	..WASHER . . . . .	4		
33	206-070-725-003	..SCUFF PLATE (USBL ON 206-070-725-009) . . . . .	1		
33	206-070-725-004	..SCUFF PLATE (USBL ON 206-070-725-010) . . . . .	1		
34	AN525-8R7	.SCREW . . . . .	8		
35	NAS43DD3-8	.SPACER . . . . .	8		
36	206-070-785-005	.PANEL ASSY, TRIM, PASSENGER DOOR, LH (NOTE 1) . . . .	1		
37	206-070-785-006	.PANEL ASSY, TRIM, PASSENGER DOOR, RH (NOTE 1) . . . .	1		
38	206-070-783-003	.PANEL ASSY, TRIM, PASSENGER DOOR, LH (NOTE 1) . . . .	1		
39	206-070-783-004	.PANEL ASSY, TRIM, PASSENGER DOOR, RH (NOTE 1) . . . .	1		
40	206-070-787-027	.CARPET ASSY (NOTE 1) . . . . .	1		
41	206-070-777-003	.CARPET ASSY (NOTE 1) . . . . .	1		
42	206-070-774-003	.CARPET ASSY (NOTE 1) . . . . .	1		
		NOTE 1: WHEN ORDERING SPECIFY HELICOPTER SERIAL NUMBER			
		USABLE ON CODES			
		CODE            MODEL            SERIAL NUMBER			
		A                206A             4-583			
		B                206A/B          584-1163			
		1) UNLESS A USABLE ON PART NUMBER IS LISTED IN THE ITEM NAME COLUMN; NO CODE INDICATES THE PART APPLIES TO ALL SERIAL NUMBERS.			
		2) IF THE SERIAL NUMBER IS BLANK THE PART APPLIES TO ALL SERIAL NUMBERS FOR THAT MODEL.			



206ABB3-25-1013  
C0000

Figure 25-13. Interior installation (S/N 4 thru 3566)

(1) INDEX NUMBER	(2) PART NUMBER	(3) ITEM NAME	(4) UNIT PER ASSY	(5) A V A I L	(6) U O C
		<b>FIGURE: 25-13. Interior installation (S/N 4 thru 3566)</b>			
	206-070-795-013	INTERIOR INSTL (SEE FIG 1, 2, 6 FOR BALANCE OF . . . . . BREAKDOWN)	REF		
	206-070-724-011	.SEAT BELT INSTL . . . . .	1		
	206-070-724-015	.SEAT BELT INSTL . . . . .	1		
1	22K1-048	..NUT (REPLACED BY 90-003-4) . . . . .	2		
1	90-003-4	..NUT (REPLACES 22K1-048) . . . . .	2		
2	AN960C416L	..WASHER . . . . .	4		
3	AN174-5A	..BOLT . . . . .	2		
4	FDC-2700-150-2	..SEAT BELT (USBL ON 206-070-724-011) . . . . .	1		
4	FDC-2700-150-5	..SEAT BELT (USBL ON 206-070-724-015) . . . . .	1		
5	AN520-10R6	.SCREW (REPLACED BY MS35207-261) . . . . .	2		
5	MS35207-261	.SCREW (REPLACES AN520-10R6) . . . . .	2		
6	AN960PD10	.WASHER (REPLACED BY AN960JD10) . . . . .	2		
6	AN960JD10	.WASHER (REPLACES AN960PD10) . . . . .	2		
7	205-030-016-003	.PIVOT . . . . .	3		



206A/B/B3-25-1014  
C0000

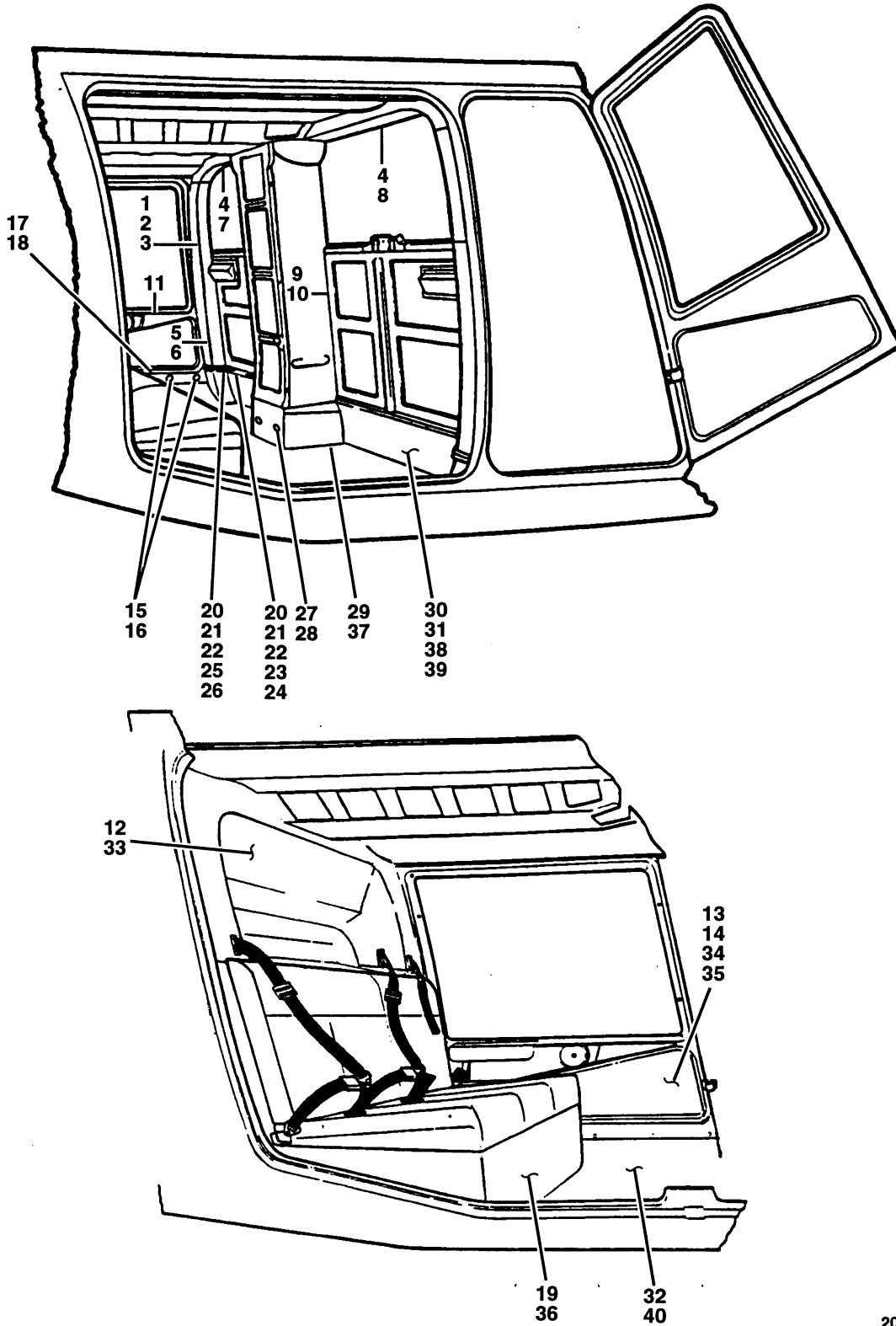
Figure 25-14. Trim installation, custom, cabin interior; carpet installation, cabin interior, custom (S/N 1164 thru 3566)

(1) INDEX NUMBER	(2) PART NUMBER	(3) ITEM NAME	(4) UNIT PER ASSY	(5) A V A I L	(6) U O C
		<b>FIGURE: 25-14. Trim installation, custom, cabin interior; carpet installation, cabin interior, custom (S/N 1164 thru 3566)</b>			
	206-072-501-001	TRIM INSTL, CUSTOM, CABIN INTERIOR (SEE FIG. 1,15 . FOR BALANCE OF BREAKDOWN)	1		
	206-072-501-005	TRIM INSTL, CUSTOM, CABIN INTERIOR (SEE FIG. 1,15 . FOR BALANCE OF BREAKDOWN)	1		
	206-072-501-105	TRIM INSTL, CUSTOM, CABIN INTERIOR (NOTE 2) (SEE . FIG. 1,15 FOR BALANCE OF BREAKDOWN)	1		
	206-072-501-103	TRIM INSTL, CUSTOM, CABIN INTERIOR (SEE FIG. 1,15 . FOR BALANCE OF BREAKDOWN)	1		
1	206-070-759-001	.TRIM, DOOR FRAME, PILOT, LH . . . . .	1		
2	206-070-759-002	.TRIM, DOOR FRAME, PILOT, RH . . . . .	1		
3	NAS1329A06-75	.RIVNUT, BLIND . . . . .	4		
4	140-017-6SP	.WASHER (REPLACED BY 140-017-6SC) . . . . .	4		
4	140-017-6SC	.WASHER (REPLACES 140-017-6SP) . . . . .	4		
5	NAS388-6-12P	.SCREW . . . . .	4		
6	206-070-760-001	.TRIM, CABIN FRAME, FORWARD, LH (REPLACED BY . . . . . 206-070-760-009)	1		
6	206-070-760-009	.TRIM, CABIN FRAME, FORWARD, LH (REPLACES . . . . . 206-070-760-001)	1		
7	206-070-760-002	.TRIM, CABIN FRAME, FORWARD, RH (REPLACED BY . . . . . 206-070-760-010)	1		
7	206-070-760-010	.TRIM, CABIN FRAME, FORWARD, RH (REPLACES . . . . . 206-070-760-002)	1		
8	C60207AA-020	.FASTENER . . . . .	8		
9	206-070-758-001	.TRIM, DOOR POST, FORWARD, LH . . . . .	1		
10	206-070-758-002	.TRIM, DOOR POST, FORWARD, RH . . . . .	1		
11	206-072-522-001	.TRIM, CUSTOM, CREW DOOR, LH . . . . .	1		
12	206-072-522-002	.TRIM, CUSTOM, CREW DOOR, RH . . . . .	1		
13	206-070-789-007	.TRIM . . . . .	1		
14	206-070-764-017	.PANEL ASSY, SEAT BACK, CREW . . . . .	1		
15	206-070-757-017	.PANEL ASSY, UPPER NOSE, LH . . . . .	1		B
16	206-070-757-018	.PANEL ASSY, UPPER NOSE, RH . . . . .	1		B
	206-072-503-003	CARPET INSTL, CABIN INTERIOR (SEE FIG. 15 FOR . . . . . BALANCE OF BREAKDOWN)	1		
	206-072-503-005	CARPET INSTL, CABIN INTERIOR (SEE FIG. 15 FOR . . . . . BALANCE OF BREAKDOWN)	1		
	206-072-503-007	CARPET INSTL, CABIN INTERIOR (SEE FIG. 15 FOR . . . . . BALANCE OF BREAKDOWN)	1		
	206-072-503-009	CARPET INSTL, CABIN INTERIOR (SEE FIG. 15 FOR . . . . . BALANCE OF BREAKDOWN)	1		
	206-072-385-005	CARPET INSTL, CABIN INTERIOR, CUSTOM (SEE FIG. 15 . FOR BALANCE OF BREAKDOWN)	1		
	206-072-385-009	CARPET INSTL, CABIN INTERIOR, CUSTOM (NOTE 2) . . . . . (SEE FIG. 15 FOR BALANCE OF BREAKDOWN)	1		
17	206-072-405-101	.PANEL, TRIM, NOSE, LH . . . . .	1		C
18	206-072-405-102	.PANEL, TRIM, NOSE, RH . . . . .	1		C
	206-070-725-007	.SCUFF PLATE INSTL, LH . . . . .	1		
	206-070-725-008	.SCUFF PLATE INSTL, RH . . . . .	1		
19	AN520-10R8	..SCREW (REPLACED BY MS35207-263) . . . . .	3		

(1) INDEX NUMBER	(2) PART NUMBER	(3) ITEM NAME	(4) UNIT PER ASSY	(5) A V A I L	(6) U O C
		<b>FIGURE: 25-14. Trim installation, custom, cabin interior; carpet installation, cabin interior, custom (S/N 1164 thru 3566) (Cont'd)</b>			
19	MS35207-263	..SCREW (REPLACES AN520-10R8) . . . . .	3		
20	AN960-C10L	..WASHER (REPLACED BY AN960C10L) . . . . .	3		
20	AN960C10L	..WASHER (REPLACES AN960-C10L) . . . . .	3		
21	206-070-725-005	..SCUFF PLATE . . . . .	1		
22	206-070-725-006	..SCUFF PLATE . . . . .	1		
23	MS24964S57	.SCREW . . . . .	8		
24	MS24964S52	.SCREW . . . . .	16		
25	206-070-589-001	.HEEL REST ASSY, LH . . . . .	3		
26	206-070-589-003	.HEEL REST ASSY, RH . . . . .	1		
27	206-072-525-001	.PANEL ASSY, CARPET, CREW DOOR (USBL ON 206-072-503-003) . . . . .	1		A
27	206-072-525-005	.PANEL ASSY, CARPET, CREW DOOR (USBL ON 206-072-503-005) . . . . .	1		A
27	206-072-525-009	.PANEL ASSY, CARPET, CREW DOOR (USBL ON 206-072-503-007) . . . . .	1		A
27	206-072-525-013	.PANEL ASSY, CARPET, CREW DOOR (USBL ON 206-072-503-009) . . . . .	1		A
28	206-072-525-049	.PANEL ASSY, CARPET, CREW DOOR (USBL ON 206-072-503-003) . . . . .	1		A
28	206-072-525-051	.PANEL ASSY, CARPET, CREW DOOR (USBL ON 206-072-503-005) . . . . .	1		A
28	206-072-525-053	.PANEL ASSY, CARPET, CREW DOOR (USBL ON 206-072-503-007) . . . . .	1		A
28	206-072-525-055	.PANEL ASSY, CARPET, CREW DOOR (USBL ON 206-072-503-009) . . . . .	1		A
29	206-070-773-043	.CARPET ASSY, CREW COMPARTMENT BHD (USBL ON 206-072-503-003) . . . . .	1		A
29	206-070-773-073	.CARPET ASSY, CREW COMPARTMENT BHD (USBL ON 206-072-503-007) . . . . .	1		A
29	206-070-773-075	.CARPET ASSY, CREW COMPARTMENT BHD (USBL ON 206-072-503-005) . . . . .	1		A
29	206-070-773-089	.CARPET ASSY, CREW COMPARTMENT BHD (USBL ON 206-072-503-009) . . . . .	1		A
30	NAS1329A06-75	.RIVNUT, BLIND . . . . .	4		
31	140-017-6SP	.WASHER (REPLACED BY 140-017-6SC) . . . . .	4		
31	140-017-6SC	.WASHER (REPLACES 140-017-6SP) . . . . .	4		
32	NAS388-6-12P	.SCREW . . . . .	4		A
32	120-079-6-12	.SCREW . . . . .	4		
33	206-070-771-027	.CARPET ASSY, CREW, LH (USBL ON 206-072-503-003) . .	1		A
33	206-070-771-041	.CARPET ASSY, CREW, LH (USBL ON 206-072-503-007) . .	1		A
33	206-070-771-043	.CARPET ASSY, CREW, LH (USBL ON 206-072-503-005) . .	1		A
33	206-070-771-051	.CARPET ASSY, CREW, LH (USBL ON 206-072-503-009) . .	1		A
34	206-070-771-028	.CARPET ASSY, CREW, RH (USBL ON 206-072-503-003) . .	1		A
34	206-070-771-042	.CARPET ASSY, CREW, RH (USBL ON 206-072-503-007) . .	1		A
34	206-070-771-044	.CARPET ASSY, CREW, RH (USBL ON 206-072-503-005) . .	1		A
34	206-070-771-052	.CARPET ASSY, CREW, RH (USBL ON 206-072-503-009) . .	1		A
35	50-029-11AT	.HOOK . . . . .	1		D
	206-072-380-005	.CARPET SET, CUSTOM . . . . .	1		B







206ABB3-25-1015  
C0000

Figure 25-15. Trim installation, custom, cabin interior; carpet installation, cabin interior, custom (S/N 1164 thru 3566)

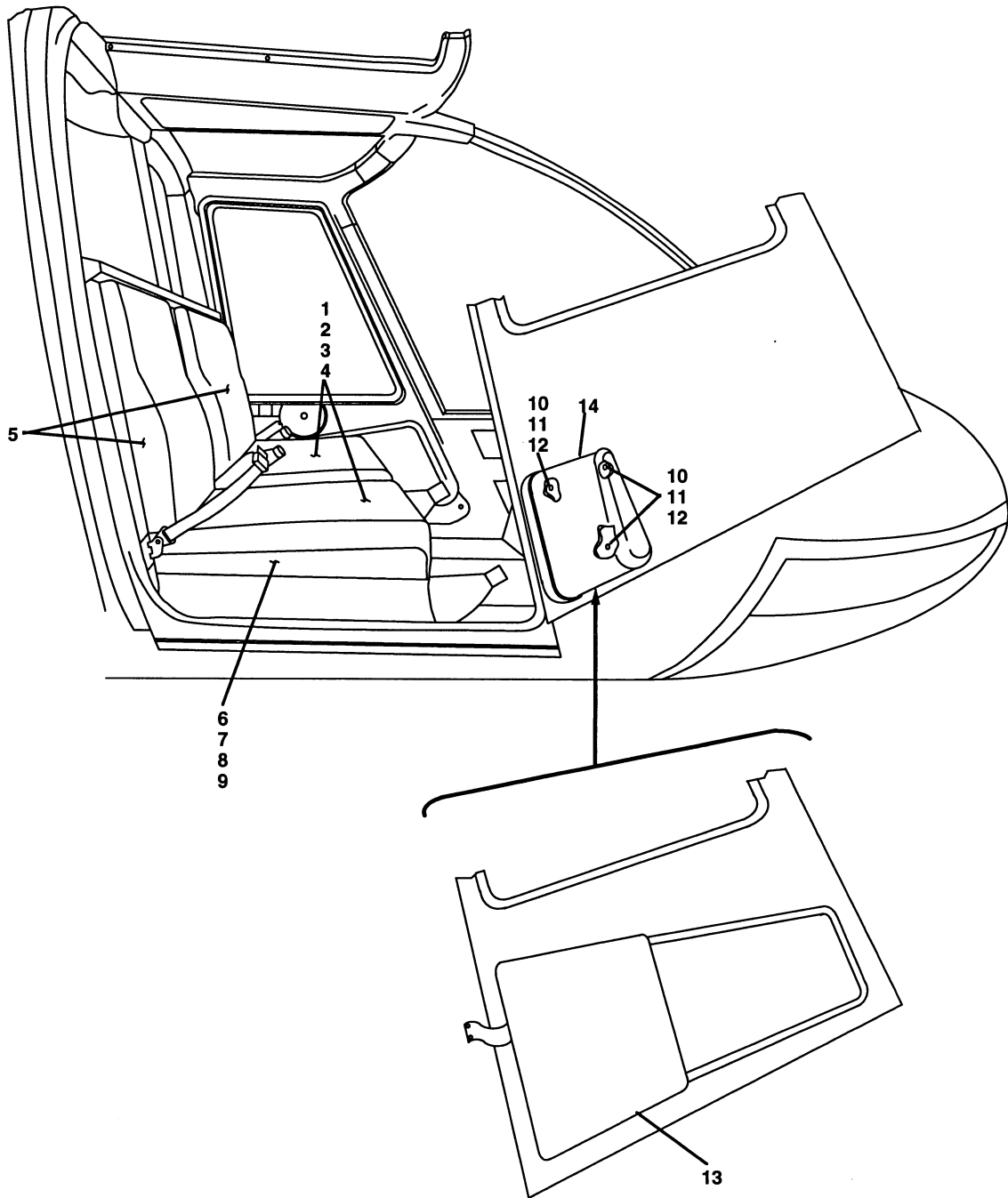
(1) INDEX NUMBER	(2) PART NUMBER	(3) ITEM NAME	(4) UNIT PER ASSY	(5) A V A I L	(6) U O C
		<b>FIGURE: 25-15. Trim installation, custom, cabin interior; carpet installation, cabin interior, custom (S/N 1164 thru 3566)</b>			
	206-072-501-001	TRIM INSTL, CUSTOM, CABIN INTERIOR (SEE FIG. 1,14 . FOR BALANCE OF BREAKDOWN)	REF		
	206-072-501-005	TRIM INSTL, CUSTOM, CABIN INTERIOR (SEE FIG. 1,14 . FOR BALANCE OF BREAKDOWN)	REF		
	206-072-501-105	TRIM INSTL, CUSTOM, CABIN INTERIOR (NOTE 1) (SEE . FIG. 1,14 FOR BALANCE OF BREAKDOWN)	REF		
	206-072-501-103	TRIM INSTL, CUSTOM, CABIN INTERIOR (SEE FIG. 1,14 . FOR BALANCE OF BREAKDOWN)	REF		
1	C60207AA-020	.FASTENER . . . . .	6		
2	206-070-761-001	.TRIM, RING, CENTER BULKHEAD, LH . . . . .	1		
3	206-070-761-002	.TRIM, RING, CENTER BULKHEAD, RH . . . . .	1		
4	C60207AA-020	.FASTENER . . . . .	2		
5	206-070-765-025	.TRIM ASSY, RING, LOWER BULKHEAD, LH . . . . .	1		
6	206-070-765-026	.TRIM ASSY, RING, LOWER BULKHEAD, RH . . . . .	1		
7	206-070-766-001	.TRIM ASSY, RING, UPPER BULKHEAD, LH (USBL ON . . . . 206-072-501-001, -005 AND -105)	1		B
7	206-070-873-101	.TRIM ASSY, RING, UPPER BULKHEAD, LH (USBL ON . . . . 206-072-501-103)	1		D
8	206-070-766-002	.TRIM ASSY, RING, UPPER BULKHEAD, RH (USBL ON . . . . 206-072-501-001, -005 AND -105)	1		B
8	206-070-873-102	.TRIM ASSY, RING, UPPER BULKHEAD, RH (USBL ON . . . . 206-072-501-103)	1		D
9	206-070-770-017	.PANEL, SEAT BACK, CREW, LH (USBL ON . . . . . 206-072-501-001, -005 AND -105)	1		B
9	206-070-874-101	.PANEL, SEAT BACK, CREW, LH (USBL ON . . . . . 206-072-501-103)	1		D
10	206-070-770-018	.PANEL, SEAT BACK, CREW, RH (USBL ON . . . . . 206-072-501-001, -005 AND -105)	1		B
10	206-070-874-102	.PANEL, SEAT BACK, CREW, RH (USBL ON . . . . . 206-072-501-103)	1		D
11	206-072-524-001	.TRIM ASSY, PASSENGER DOOR, CUSTOM, LH (USBL ON . . . 206-072-501-001) (REPLACED BY 206-072-524-101)	1		A
11	206-072-524-101	.TRIM ASSY, PASSENGER DOOR, CUSTOM, LH (USBL ON . . . 206-072-501-001) (REPLACES 206-072-524-001)	1		A
11	206-072-524-007	.TRIM ASSY, PASSENGER DOOR, CUSTOM, LH (USBL ON . . . 206-072-501-005,105 AND -103) (REPLACED BY 206-072-524-103)	1		C
11	206-072-524-103	.TRIM ASSY, PASSENGER DOOR, CUSTOM, LH (USBL ON . . . 206-072-501-005, -105 AND -103) (REPLACES 206-072-524-007)	1		C
11	206-072-524-002	.TRIM ASSY, PASSENGER DOOR, CUSTOM, RH (USBL ON . . . 206-072-501-001) (REPLACED BY 206-072-524-102)	1		A
11	206-072-524-102	.TRIM ASSY, PASSENGER DOOR, CUSTOM, RH (USBL ON . . . 206-072-501-001) (REPLACES 206-072-524-002)	1		A
11	206-072-524-008	.TRIM ASSY, PASSENGER DOOR, CUSTOM, RH (USBL ON . . . 206-072-501-005, -105 AND -103) (REPLACED BY 206-072-524-104)	1		C

(1) INDEX NUMBER	(2) PART NUMBER	(3) ITEM NAME	(4) UNIT PER ASSY	(5) A V A I L	(6) U O C
		<b>FIGURE: 25-15. Trim installation, custom, cabin interior; carpet installation, cabin interior, custom (S/N 1164 thru 3566) (Cont'd)</b>			
11	206-072-524-104	.TRIM ASSY, PASSENGER DOOR, CUSTOM, RH (USBL ON . . . 206-072-501-005, -105 AND -103) (REPLACES 206-072-524-008)	1		C
	206-072-503-003	CARPET INSTL, CABIN INTERIOR, CUSTOM (SEE FIG. 14 . FOR BALANCE OF BREAKDOWN)	1		
	206-072-503-005	CARPET INSTL, CABIN INTERIOR, CUSTOM (SEE FIG. 14 . FOR BALANCE OF BREAKDOWN)	1		
	206-072-503-007	CARPET INSTL, CABIN INTERIOR, CUSTOM (SEE FIG. 14 . FOR BALANCE OF BREAKDOWN)	1		
	206-072-503-009	CARPET INSTL, CABIN INTERIOR, CUSTOM (SEE FIG. 14 . FOR BALANCE OF BREAKDOWN)	1		
	206-072-385-005	CARPET INSTL, CABIN INTERIOR, CUSTOM (SEE FIG. 14 . FOR BALANCE OF BREAKDOWN)	1		
	206-072-385-009	CARPET INSTL, CABIN INTERIOR, CUSTOM (NOTE 1) . . . . (SEE FIG. 14 FOR BALANCE OF BREAKDOWN)	1		
12	206-070-787-027	.CARPET ASSY, HAT BIN (USBL ON 206-072-503-003) . .	1		A
12	206-070-787-041	.CARPET ASSY, HAT BIN (USBL ON 206-072-503-007) . .	1		A
12	206-070-787-043	.CARPET ASSY, HAT BIN (USBL ON 206-072-503-005) . .	1		A
12	206-070-787-049	.CARPET ASSY, HAT BIN (USBL ON 206-072-503-009) . .	1		A
13	206-072-526-001	.CARPET ASSY, PASSENGER DOOR, LH (USBL ON . . . . . 206-072-503-003)	1		A
13	206-072-526-003	.CARPET ASSY, PASSENGER DOOR, LH (USBL ON . . . . . 206-072-503-005)	1		A
13	206-072-526-005	.CARPET ASSY, PASSENGER DOOR, LH (USBL ON . . . . . 206-072-503-007)	1		A
13	206-072-526-007	.CARPET ASSY, PASSENGER DOOR, LH (USBL ON . . . . . 206-072-503-009)	1		A
14	206-072-526-002	.CARPET ASSY, PASSENGER DOOR, RH (USBL ON . . . . . 206-072-503-003)	1		A
14	206-072-526-004	.CARPET ASSY, PASSENGER DOOR, RH (USBL ON . . . . . 206-072-503-005)	1		A
14	206-072-526-006	.CARPET ASSY, PASSENGER DOOR, RH (USBL ON . . . . . 206-072-503-007)	1		A
14	206-072-526-008	.CARPET ASSY, PASSENGER DOOR, RH (USBL ON . . . . . 206-072-503-009)	1		A
	206-070-725-009	.SCUFF PLATE INSTL, LH . . . . .	1		
	206-070-725-010	.SCUFF PLATE INSTL, RH . . . . .	1		
15	AN520-10R8	..SCREW (REPLACED BY MS35207-263) . . . . .	4		
15	MS35207-263	..SCREW (REPLACES AN520-10R8) . . . . .	4		
16	AN960-C10L	..WASHER (REPLACED BY AN960C10L) . . . . .	4		
16	AN960C10L	..WASHER (REPLACES AN960-C10L) . . . . .	4		
17	206-070-725-003	..SCUFF PLATE, LH . . . . .	1		
18	206-070-725-004	..SCUFF PLATE, RH . . . . .	1		
19	206-070-777-035	.CARPET ASSY, PASSENGER COMPARTMENT BHD (USBL ON . . 206-072-503-003)	1		A
19	206-070-777-049	.CARPET ASSY, PASSENGER COMPARTMENT BHD (USBL ON . . 206-072-503-007)	1		A

(1) INDEX NUMBER	(2) PART NUMBER	(3) ITEM NAME	(4) UNIT PER ASSY	(5) A V A I L	(6) U O C
		<b>FIGURE: 25-15. Trim installation, custom, cabin interior; carpet installation, cabin interior, custom (S/N 1164 thru 3566) (Cont'd)</b>			
19	206-070-777-051	.CARPET ASSY, PASSENGER COMPARTMENT BHD (USBL ON . . . 206-072-503-005)	1		A
19	206-070-777-057	.CARPET ASSY, PASSENGER COMPARTMENT BHD (USBL ON . . . 206-072-503-009)	1		A
20	NAS1329A06-75	.RIVNUT, BLIND . . . . .	10		
21	140-017-6SP	.WASHER (REPLACED BY 140-017-6SC) . . . . .	10		
21	140-017-6SC	.WASHER (REPLACES 140-017-6SP) . . . . .	10		
22	NAS388-6-20P	.SCREW . . . . .	10		A
22	120-079-6-20	.SCREW . . . . .	10		
23	206-070-791-023	.MOLDING, CARPET TRIM, INNER, LH . . . . .	1		
24	206-070-791-024	.MOLDING, CARPET TRIM, INNER, RH . . . . .	1		
25	206-070-791-021	.MOLDING, CARPET TRIM, OUTER, LH . . . . .	1		
26	206-070-791-022	.MOLDING, CARPET TRIM, OUTER, RH . . . . .	1		
27	120-079-6-12	.SCREW . . . . .	2		
28	140-017-6SP	.WASHER (REPLACED BY 140-017-6SC) . . . . .	2		
28	140-017-6SC	.WASHER (REPLACES 140-017-6SP) . . . . .	2		
29	206-070-790-031	.PANEL ASSY (USBL ON 206-072-503-003) . . . . .	1		A
29	206-070-790-045	.PANEL ASSY (USBL ON 206-072-503-007) . . . . .	1		A
29	206-070-790-047	.PANEL ASSY (USBL ON 206-072-503-005) . . . . .	1		A
29	206-070-790-057	.PANEL ASSY (USBL ON 206-072-503-009) . . . . .	1		A
29	206-070-790-025	.SHELL, CENTER POST TRIM (USBL ON . . . . . 206-072-385-005 AND -009)	1		
30	206-070-776-011	.CARPET ASSY, PASSENGER COMPARTMENT, FWD (USBL . . . ON 206-072-503-003)	1		A
30	206-070-776-017	.CARPET ASSY, PASSENGER COMPARTMENT, FWD (USBL . . . ON 206-072-503-007)	1		A
30	206-070-776-019	.CARPET ASSY, PASSENGER COMPARTMENT, FWD (USBL . . . ON 206-072-503-005)	1		A
30	206-070-776-023	.CARPET ASSY, PASSENGER COMPARTMENT, FWD (USBL . . . ON 206-072-503-009)	1		A
31	206-070-776-012	.CARPET ASSY, PASSENGER COMPARTMENT, FWD (USBL . . . ON 206-072-503-003)	1		A
31	206-070-776-018	.CARPET ASSY, PASSENGER COMPARTMENT, FWD (USBL . . . ON 206-072-503-007)	1		A
31	206-070-776-020	.CARPET ASSY, PASSENGER COMPARTMENT, FWD (USBL . . . ON 206-072-503-005)	1		A
31	206-070-776-024	.CARPET ASSY, PASSENGER COMPARTMENT, FWD (USBL . . . ON 206-072-503-009)	1		A
32	206-070-774-033	.CARPET ASSY, PASSENGER COMPARTMENT FLOOR (USBL . . . ON 206-072-503-003)	1		A
32	206-070-774-039	.CARPET ASSY, PASSENGER COMPARTMENT FLOOR (USBL . . . ON 206-072-503-007)	1		A
32	206-070-774-041	.CARPET ASSY, PASSENGER COMPARTMENT FLOOR (USBL . . . ON 206-072-503-005)	1		A
32	206-070-774-045	.CARPET ASSY, PASSENGER COMPARTMENT FLOOR (USBL . . . ON 206-072-503-009)	1		A
	206-072-380-005	.CARPET SET, CUSTOM . . . . .	1		B
	206-072-380-009	.CARPET SET, CUSTOM . . . . .	1		D



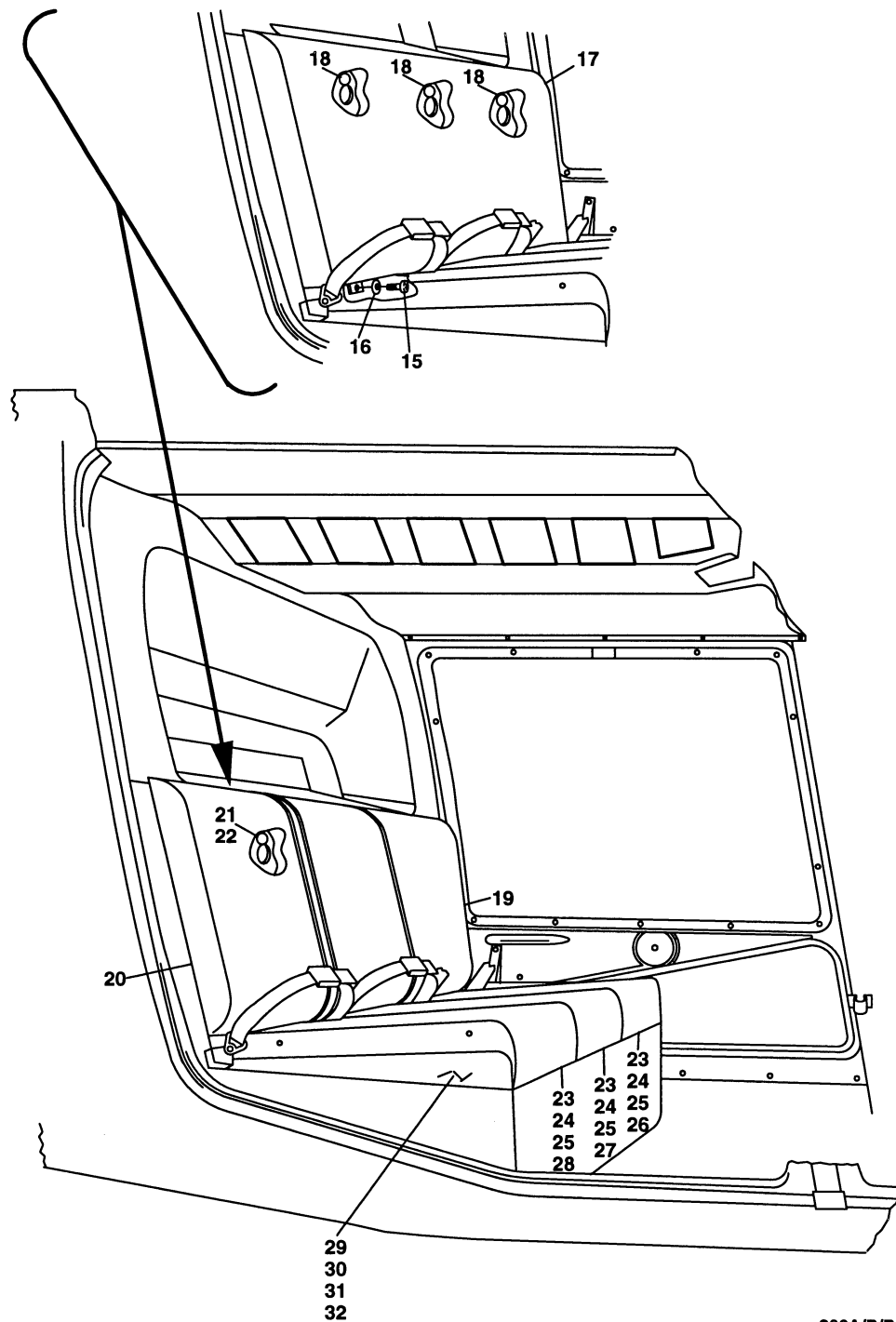
(1) INDEX NUMBER	(2) PART NUMBER	(3) ITEM NAME	(4) UNIT PER ASSY	(5) A V A I L	(6) U O C															
		<p><b>FIGURE: 25-15. Trim installation, custom, cabin interior; carpet installation, cabin interior, custom (S/N 1164 thru 3566) (Cont'd)</b></p> <p>..CARPET ASSY, HAT BIN . . . . . 1</p> <p>..CARPET ASSY, PASSENGER DOOR, LH . . . . . 1</p> <p>..CARPET ASSY, PASSENGER DOOR, RH . . . . . 1</p> <p>..CARPET ASSY, PASSENGER SEAT BASE . . . . . 1</p> <p>..CARPET, CENTER POST BASE . . . . . 1</p> <p>..CARPET ASSY, CREW SEAT BACK BHD, LH . . . . . 1</p> <p>..CARPET ASSY, CREW SEAT BACK BHD, RH . . . . . 1</p> <p>..CARPET ASSY, PASSENGER FLOOR . . . . . 1</p> <p>NOTE 1: THE 206-072-385-009 CARPET INSTALLATION MUST BE INSTALLED CONCURRENTLY WITH THE 206-072-501-105 TRIM INSTALLATION</p> <p style="text-align: center;">USABLE ON CODES</p> <table border="0" style="margin-left: auto; margin-right: auto;"> <thead> <tr> <th>CODE</th> <th>MODEL</th> <th>SERIAL NUMBER</th> </tr> </thead> <tbody> <tr> <td>A</td> <td>206B/BIII</td> <td>1164-2211</td> </tr> <tr> <td>B</td> <td>206B/BIII</td> <td>1164-3121</td> </tr> <tr> <td>C</td> <td>206B/BIII</td> <td>2212-3566</td> </tr> <tr> <td>D</td> <td>206BIII</td> <td>3122-3566</td> </tr> </tbody> </table> <p>1) UNLESS A USABLE ON PART NUMBER IS LISTED IN THE ITEM NAME COLUMN; NO CODE INDICATES THE PART APPLIES TO ALL SERIAL NUMBERS.</p> <p>2) IF THE SERIAL NUMBER IS BLANK THE PART APPLIES TO ALL SERIAL NUMBERS FOR THAT MODEL.</p>	CODE	MODEL	SERIAL NUMBER	A	206B/BIII	1164-2211	B	206B/BIII	1164-3121	C	206B/BIII	2212-3566	D	206BIII	3122-3566			
CODE	MODEL	SERIAL NUMBER																		
A	206B/BIII	1164-2211																		
B	206B/BIII	1164-3121																		
C	206B/BIII	2212-3566																		
D	206BIII	3122-3566																		



206A/B/B3-25-1016-1  
C0000

Figure 25-16. Seat installation, crew and passenger (S/N 1164 thru 3566) (Sheet 1 of 2)





206A/B/B3-25-1016-2  
C0000

Figure 25-16. Seat installation, crew and passenger (S/N 1164 thru 3566) (Sheet 2)

(1) INDEX NUMBER	(2) PART NUMBER	(3) ITEM NAME	(4) UNIT PER ASSY	(5) A V A I L	(6) U O C
		<b>FIGURE: 25-16. Seat installation, crew and passenger (S/N 1164 thru 3566)</b>			
	206-072-502-001	SEAT INSTL, CREW AND PASSENGER (MOD BY . . . . . 206-961-224-001)	1		
	206-072-502-003	SEAT INSTL, CREW AND PASSENGER (MOD BY . . . . . 206-961-224-001)	1		
	206-072-502-005	SEAT INSTL, CREW AND PASSENGER (MOD BY . . . . . 206-961-224-001)	1		
	206-072-502-007	SEAT INSTL, CREW AND PASSENGER (MOD BY . . . . . 206-961-224-001)	1		
	206-072-502-009	SEAT INSTL, CREW AND PASSENGER (MOD BY . . . . . 206-961-224-001)	1		
	206-072-502-011	SEAT INSTL, CREW AND PASSENGER (MOD BY . . . . . 206-961-224-001)	1		
	206-072-502-013	SEAT INSTL, CREW AND PASSENGER (MOD BY . . . . . 206-961-224-001)	1		
	206-072-355-001	SEAT INSTL, CREW AND PASSENGER (MOD BY . . . . . 206-961-224-001) (SEE FIG. 3, 7 FOR BALANCE OF BREAKDOWN)	1		
	206-072-355-003	SEAT INSTL, CREW AND PASSENGER (MOD BY . . . . . 206-961-224-001) (SEE FIG. 4 FOR BALANCE OF BREAKDOWN)	1		
1	MS35207-261	.SCREW . . . . .	4		A
1	MS27039-1-12	.SCREW . . . . .	4		
2	AN960PD10	.WASHER (REPLACED BY AN960JD10) . . . . .	4		A
2	AN960JD10	.WASHER (REPLACES AN960PD10) . . . . .	4		A
3	AN960PD10	.WASHER (REPLACED BY AN960JD10) . . . . .	8		
3	AN960JD10	.WASHER (REPLACES AN960PD10) . . . . .	8		
4	206-070-739-035	.CUSHION ASSY, CREW, SEAT BOTTOM (USBL ON . . . . . 206-072-502-001)	2		A
4	206-070-739-041	.CUSHION ASSY, CREW, SEAT BOTTOM (USBL ON . . . . . 206-072-502-003)	2		A
4	206-070-739-047	.CUSHION ASSY, CREW, SEAT BOTTOM (USBL ON . . . . . 206-072-502-005)	2		A
4	206-070-739-053	.CUSHION ASSY, CREW, SEAT BOTTOM (USBL ON . . . . . 206-072-502-007)	2		A
4	206-070-739-059	.CUSHION ASSY, CREW, SEAT BOTTOM (USBL ON . . . . . 206-072-502-009)	2		A
4	206-070-739-065	.CUSHION ASSY, CREW, SEAT BOTTOM (USBL ON . . . . . 206-072-502-011)	2		A
4	206-070-739-071	.CUSHION ASSY, CREW, SEAT BOTTOM (USBL ON . . . . . 206-072-502-013)	2		A
4	206-070-739-087	.CUSHION ASSY, CREW, SEAT BOTTOM (USBL ON . . . . . 206-072-355-001 AND -003)	2		
5	206-070-728-017	.CUSHION ASSY, CREW, SEAT BACK (USBL ON . . . . . 206-072-502-001)	2		A
5	206-070-728-023	.CUSHION ASSY, CREW, SEAT BACK (USBL ON . . . . . 206-072-502-003)	2		A
5	206-070-728-025	.CUSHION ASSY, CREW, SEAT BACK (USBL ON . . . . . 206-072-502-005)	2		A

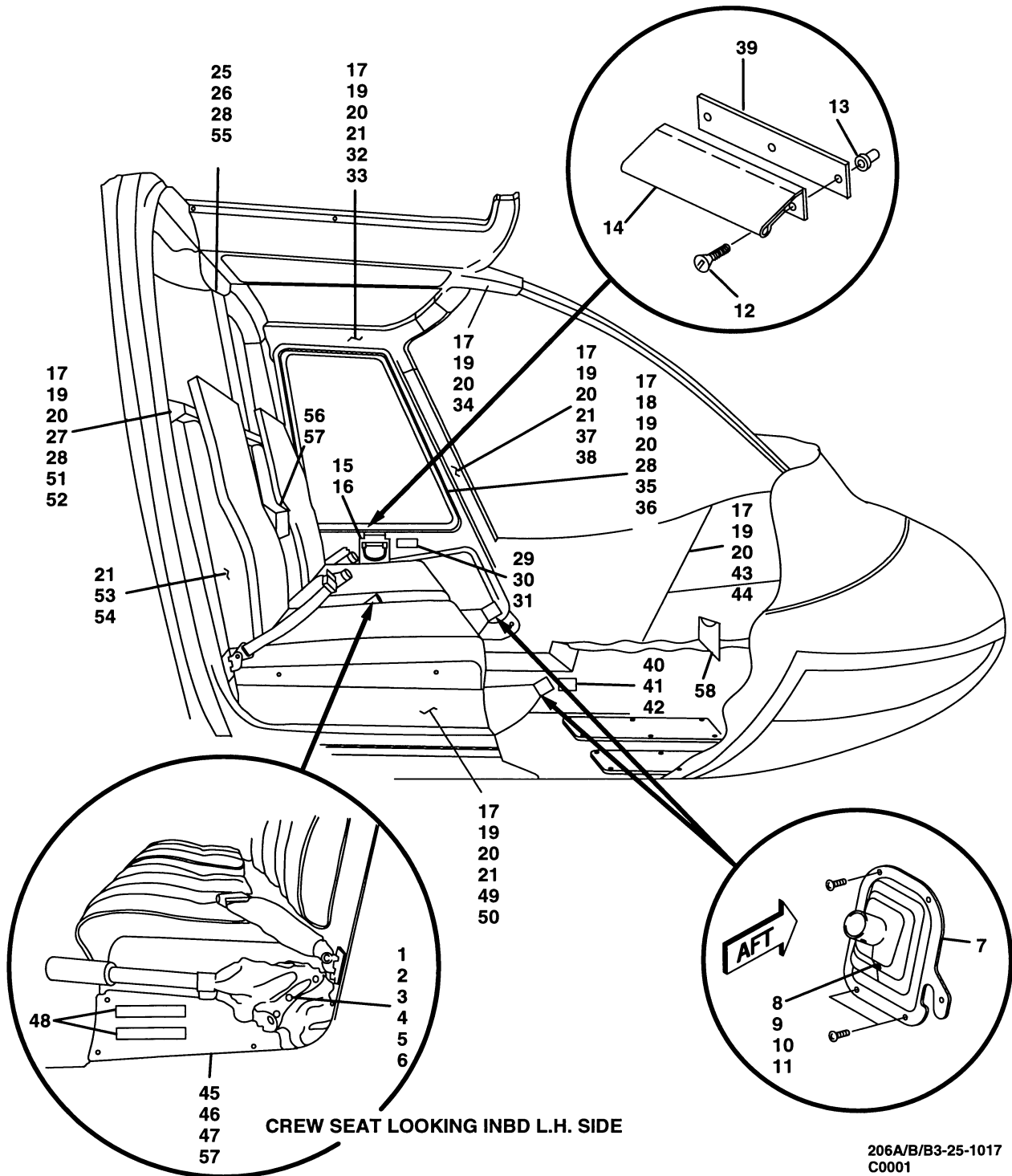
(1) INDEX NUMBER	(2) PART NUMBER	(3) ITEM NAME	(4) UNIT PER ASSY	(5) A V A I L	(6) U O C
		<b>FIGURE: 25-16. Seat installation, crew and passenger (S/N 1164 thru 3566) (Cont'd)</b>			
5	206-070-728-027	.CUSHION ASSY, CREW, SEAT BACK (USBL ON 206-072-502-007)	2		A
5	206-070-728-029	.CUSHION ASSY, CREW, SEAT BACK (USBL ON 206-072-502-009)	2		A
5	206-070-728-031	.CUSHION ASSY, CREW, SEAT BACK (USBL ON 206-072-502-011)	2		A
5	206-070-728-033	.CUSHION ASSY, CREW, SEAT BACK (USBL ON 206-072-502-013)	2		A
5	206-072-351-001	.CUSHION ASSY, CREW, SEAT BACK (USBL ON 206-072-355-001 AND -003)	2		
6	NAS388-8-12P	.SCREW (REPLACED BY 120-079-8-12)	8		
6	120-079-8-12	.SCREW (REPLACES NAS388-8-12P)	8		
7	140-017-8SP	.WASHER (REPLACED BY 140-017-8SC)	8		
7	140-017-8SC	.WASHER (REPLACES 140-017-8SP)	8		
8	206-070-794-069	.SKIRT ASSY, LH (USBL ON 206-072-502-001)	1		A
8	206-070-794-071	.SKIRT ASSY, LH (USBL ON 206-072-502-001)	1		A
8	206-070-794-075	.SKIRT ASSY, LH (USBL ON 206-072-502-003)	1		A
8	206-070-794-077	.SKIRT ASSY, LH (USBL ON 206-072-502-003)	1		A
8	206-070-794-081	.SKIRT ASSY, LH (USBL ON 206-072-502-005)	1		A
8	206-070-794-083	.SKIRT ASSY, LH (USBL ON 206-072-502-005)	1		A
8	206-070-794-087	.SKIRT ASSY, LH (USBL ON 206-072-502-007)	1		A
8	206-070-794-089	.SKIRT ASSY, LH (USBL ON 206-072-502-007)	1		A
8	206-070-794-093	.SKIRT ASSY, LH (USBL ON 206-072-502-009)	1		A
8	206-070-794-095	.SKIRT ASSY, LH (USBL ON 206-072-502-009)	1		A
8	206-070-794-099	.SKIRT ASSY, LH (USBL ON 206-072-502-011)	1		A
8	206-070-794-101	.SKIRT ASSY, LH (USBL ON 206-072-502-011)	1		A
8	206-070-794-105	.SKIRT ASSY, LH (USBL ON 206-072-502-013)	1		A
8	206-070-794-107	.SKIRT ASSY, LH (USBL ON 206-072-502-013)	1		A
8	206-070-794-153	.SKIRT ASSY, LH (USBL ON 206-072-355-001 AND -003)	1		
8	206-070-794-155	.SKIRT ASSY, LH (USBL ON 206-072-355-001 AND -003)	1		
9	206-070-794-070	.SKIRT ASSY, RH (USBL ON 206-072-502-001)	1		A
9	206-070-794-072	.SKIRT ASSY, RH (USBL ON 206-072-502-001)	1		A
9	206-070-794-076	.SKIRT ASSY, RH (USBL ON 206-072-502-003)	1		A
9	206-070-794-078	.SKIRT ASSY, RH (USBL ON 206-072-502-003)	1		A
9	206-070-794-082	.SKIRT ASSY, RH (USBL ON 206-072-502-005)	1		A
9	206-070-794-084	.SKIRT ASSY, RH (USBL ON 206-072-502-005)	1		A
9	206-070-794-088	.SKIRT ASSY, RH (USBL ON 206-072-502-007)	1		A
9	206-070-794-090	.SKIRT ASSY, RH (USBL ON 206-072-502-007)	1		A
9	206-070-794-094	.SKIRT ASSY, RH (USBL ON 206-072-502-009)	1		A
9	206-070-794-096	.SKIRT ASSY, RH (USBL ON 206-072-502-009)	1		A
9	206-070-794-100	.SKIRT ASSY, RH (USBL ON 206-072-502-011)	1		A
9	206-070-794-102	.SKIRT ASSY, RH (USBL ON 206-072-502-011)	1		A
9	206-070-794-106	.SKIRT ASSY, RH (USBL ON 206-072-502-013)	1		A
9	206-070-794-108	.SKIRT ASSY, RH (USBL ON 206-072-502-013)	1		A
9	206-070-794-154	.SKIRT ASSY, RH (USBL ON 206-072-355-001 AND -003)	1		

(1) INDEX NUMBER	(2) PART NUMBER	(3) ITEM NAME	(4) UNIT PER ASSY	(5) A V A I L	(6) U O C
		<b>FIGURE: 25-16. Seat installation, crew and passenger (S/N 1164 thru 3566) (Cont'd)</b>			
9	206-070-794-156	.SKIRT ASSY, RH (USBL ON 206-072-355-001 AND . . . . . -003)	1		
10	90-003-20	.NUT . . . . .	3		
11	AN960PD8	.WASHER (REPLACED BY AN960JD8) . . . . .	6		
11	AN960JD8	.WASHER (REPLACES AN960PD8) . . . . .	6		
12	AN525-832-7	.SCREW . . . . .	3		
13	206-072-111-001	.POCKET ASSY, MAP, CREW DOOR, RH (USBL ON . . . . . 206-072-502-001)	1		A
13	206-072-111-003	.POCKET ASSY, MAP, CREW DOOR, RH (USBL ON . . . . . 206-072-502-003)	1		A
13	206-072-111-005	.POCKET ASSY, MAP, CREW DOOR, RH (USBL ON . . . . . 206-072-502-005)	1		A
13	206-072-111-007	.POCKET ASSY, MAP, CREW DOOR, RH (USBL ON . . . . . 206-072-502-007)	1		A
13	206-072-111-009	.POCKET ASSY, MAP, CREW DOOR, RH (USBL ON . . . . . 206-072-502-009)	1		A
13	206-072-111-011	.POCKET ASSY, MAP, CREW DOOR, RH (USBL ON . . . . . 206-072-502-011)	1		A
13	206-072-111-013	.POCKET ASSY, MAP, CREW DOOR, RH (USBL ON . . . . . 206-072-502-013)	1		A
14	206-072-352-001	.MAP POCKET ASSY, PILOT'S (USBL ON . . . . . 206-072-355-001 AND -003)	1		
15	MS35207-261	.SCREW . . . . .	2		
16	AN960PD10	.WASHER (REPLACED BY AN960JD10) . . . . .	2		
16	AN960JD10	.WASHER (REPLACES AN960PD10) . . . . .	2		
17	206-070-797-021	.CUSHION ASSY, PASSENGER, SEAT BACK (PRE MOD . . . . . 206-961-224-001) (USBL ON 206-072-502-001)	1		A
17	206-070-797-025	.CUSHION ASSY, PASSENGER, SEAT BACK (PRE MOD . . . . . 206-961-224-001) (USBL ON 206-072-502-003)	1		A
17	206-070-797-027	.CUSHION ASSY, PASSENGER, SEAT BACK (PRE MOD . . . . . 206-961-224-001) (USBL ON 206-072-502-005)	1		A
17	206-070-797-029	.CUSHION ASSY, PASSENGER, SEAT BACK (PRE MOD . . . . . 206-961-224-001) (USBL ON 206-072-502-007)	1		A
17	206-070-797-031	.CUSHION ASSY, PASSENGER, SEAT BACK (PRE MOD . . . . . 206-961-224-001) (USBL ON 206-072-502-009)	1		A
17	206-070-797-033	.CUSHION ASSY, PASSENGER, SEAT BACK (PRE MOD . . . . . 206-961-224-001) (USBL ON 206-072-502-011)	1		A
17	206-070-797-035	.CUSHION ASSY, PASSENGER, SEAT BACK (PRE MOD . . . . . 206-961-224-001) (USBL ON 206-072-502-013)	1		A
17	206-070-797-037	.CUSHION ASSY, PASSENGER, SEAT BACK (PRE MOD . . . . . 206-961-224-001) (USBL ON 206-072-355-001 AND -003)	1		
18	205-030-016-003	.PIVOT . . . . .	3		
19	206-961-224-033	.CUSHION, PASSENGER, SEAT BACK, LONG SIDE (POST . . MOD 206-961-224-001) (USBL ON 206-072-502-001)	1		A
19	206-961-224-041	.CUSHION, PASSENGER, SEAT BACK, LONG SIDE (POST . . MOD 206-961-224-001) (USBL ON 206-072-502-003)	1		A
19	206-961-224-045	.CUSHION, PASSENGER, SEAT BACK, LONG SIDE (POST . . MOD 206-961-224-001) (USBL ON 206-072-502-005)	1		A

(1) INDEX NUMBER	(2) PART NUMBER	(3) ITEM NAME	(4) UNIT PER ASSY	(5) A V A I L	(6) U O C
		<b>FIGURE: 25-16. Seat installation, crew and passenger (S/N 1164 thru 3566) (Cont'd)</b>			
19	206-961-224-049	.CUSHION, PASSENGER, SEAT BACK, LONG SIDE (POST . . MOD 206-961-224-001) (USBL ON 206-072-502-007)	1		A
19	206-961-224-053	.CUSHION, PASSENGER, SEAT BACK, LONG SIDE (POST . . MOD 206-961-224-001) (USBL ON 206-072-502-009)	1		A
19	206-961-224-057	.CUSHION, PASSENGER, SEAT BACK, LONG SIDE (POST . . MOD 206-961-224-001) (USBL ON 206-072-502-011)	1		A
19	206-961-224-061	.CUSHION, PASSENGER, SEAT BACK, LONG SIDE (POST . . MOD 206-961-224-001) (USBL ON 206-072-502-013)	1		A
19	206-070-797-041	.CUSHION, PASSENGER, SEAT BACK, LONG SIDE (POST . . MOD 206-961-224-001) (USBL ON 206-072-355-001 AND -003)	1		
20	206-961-224-031	.CUSHION, PASSENGER, SEAT BACK, SHORT SIDE (POST . MOD 206-961-224-001) (USBL ON 206-072-502-001)	1		A
20	206-961-224-039	.CUSHION, PASSENGER, SEAT BACK, SHORT SIDE (POST . MOD 206-961-224-001) (USBL ON 206-072-502-003)	1		A
20	206-961-224-043	.CUSHION, PASSENGER, SEAT BACK, SHORT SIDE (POST . MOD 206-961-224-001) (USBL ON 206-072-502-005)	1		A
20	206-961-224-047	.CUSHION, PASSENGER, SEAT BACK, SHORT SIDE (POST . MOD 206-961-224-001) (USBL ON 206-072-502-007)	1		A
20	206-961-224-051	.CUSHION, PASSENGER, SEAT BACK, SHORT SIDE (POST . MOD 206-961-224-001) (USBL ON 206-072-502-009)	1		A
20	206-961-224-055	.CUSHION, PASSENGER, SEAT BACK, SHORT SIDE (POST . MOD 206-961-224-001) (USBL ON 206-072-502-011)	1		A
20	206-961-224-059	.CUSHION, PASSENGER, SEAT BACK, SHORT SIDE (POST . MOD 206-961-224-001) (USBL ON 206-072-502-013)	1		A
20	206-070-797-049	.CUSHION, PASSENGER, SEAT BACK, SHORT SIDE (POST . MOD 206-961-224-001) (USBL ON 206-072-355-001 AND -003)	1		
21	205-030-016-003	.PIVOT (POST MOD 206-961-224-001) . . . . .	1		
22	80-004-2-6	.INSERT (POST MOD 206-961-224-001) . . . . .	1		
23	MS35207-261	.SCREW . . . . .	6		A
23	MS27039-1-07	.SCREW . . . . .	6		
24	AN960PD10	.WASHER (REPLACED BY AN960JD10) . . . . .	6		A
24	AN960JD10	.WASHER (REPLACES AN960PD10) . . . . .	6		A
25	AN960PD10	.WASHER (REPLACED BY AN960JD10) . . . . .	12		
25	AN960JD10	.WASHER (REPLACES AN960PD10) . . . . .	12		
26	206-070-740-071	.CUSHION ASSY, PASSENGER, SEAT BOTTOM, LH (USBL . . ON 206-072-502-001)	1		A
26	206-070-740-077	.CUSHION ASSY, PASSENGER, SEAT BOTTOM, LH (USBL . . ON 206-072-502-003)	1		A
26	206-070-740-083	.CUSHION ASSY, PASSENGER, SEAT BOTTOM, LH (USBL . . ON 206-072-502-005)	1		A
26	206-070-740-089	.CUSHION ASSY, PASSENGER, SEAT BOTTOM, LH (USBL . . ON 206-072-502-007)	1		A
26	206-070-740-095	.CUSHION ASSY, PASSENGER, SEAT BOTTOM, LH (USBL . . ON 206-072-502-009)	1		A
26	206-070-740-101	.CUSHION ASSY, PASSENGER, SEAT BOTTOM, LH (USBL . . ON 206-072-502-011)	1		A

(1) INDEX NUMBER	(2) PART NUMBER	(3) ITEM NAME	(4) UNIT PER ASSY	(5) A V A I L	(6) U O C
		<b>FIGURE: 25-16. Seat installation, crew and passenger (S/N 1164 thru 3566) (Cont'd)</b>			
26	206-070-740-107	.CUSHION ASSY, PASSENGER, SEAT BOTTOM, LH (USBL . . ON 206-072-502-013)	1		A
26	206-070-740-165	.CUSHION ASSY, PASSENGER, SEAT BOTTOM, LH (USBL . . ON 206-072-355-001 AND -003)	1		
27	206-070-740-075	.CUSHION ASSY, PASSENGER, SEAT BOTTOM, CTR (USBL . . ON 206-072-502-001)	1		A
27	206-070-740-081	.CUSHION ASSY, PASSENGER, SEAT BOTTOM, CTR (USBL . . ON 206-072-502-003)	1		A
27	206-070-740-087	.CUSHION ASSY, PASSENGER, SEAT BOTTOM, CTR (USBL . . ON 206-072-502-005)	1		A
27	206-070-740-093	.CUSHION ASSY, PASSENGER, SEAT BOTTOM, CTR (USBL . . ON 206-072-502-007)	1		A
27	206-070-740-099	.CUSHION ASSY, PASSENGER, SEAT BOTTOM, CTR (USBL . . ON 206-072-502-009)	1		A
27	206-070-740-105	.CUSHION ASSY, PASSENGER, SEAT BOTTOM, CTR (USBL . . ON 206-072-502-011)	1		A
27	206-070-740-111	.CUSHION ASSY, PASSENGER, SEAT BOTTOM, CTR (USBL . . ON 206-072-502-013)	1		A
27	206-070-740-169	.CUSHION ASSY, PASSENGER, SEAT BOTTOM, CTR (USBL . . ON 206-072-355-001 AND -003)	1		
28	206-070-740-073	.CUSHION ASSY, PASSENGER, SEAT BOTTOM, RH (USBL . . ON 206-072-502-001)	1		A
28	206-070-740-079	.CUSHION ASSY, PASSENGER, SEAT BOTTOM, RH (USBL . . ON 206-072-502-003)	1		A
28	206-070-740-085	.CUSHION ASSY, PASSENGER, SEAT BOTTOM, RH (USBL . . ON 206-072-502-005)	1		A
28	206-070-740-091	.CUSHION ASSY, PASSENGER, SEAT BOTTOM, RH (USBL . . ON 206-072-502-007)	1		A
28	206-070-740-097	.CUSHION ASSY, PASSENGER, SEAT BOTTOM, RH (USBL . . ON 206-072-502-009)	1		A
28	206-070-740-103	.CUSHION ASSY, PASSENGER, SEAT BOTTOM, RH (USBL . . ON 206-072-502-011)	1		A
28	206-070-740-109	.CUSHION ASSY, PASSENGER, SEAT BOTTOM, RH (USBL . . ON 206-072-502-013)	1		A
28	206-070-740-167	.CUSHION ASSY, PASSENGER, SEAT BOTTOM, RH (USBL . . ON 206-072-355-001 AND -003)	1		
29	NAS388-8-12P	.SCREW (REPLACED BY 120-079-8-12) . . . . .	4		
29	120-079-8-12	.SCREW (REPLACES NAS388-8-12P) . . . . .	4		
30	140-017-8SP	.WASHER (REPLACED BY 140-017-8SC) . . . . .	4		
30	140-017-8SC	.WASHER (REPLACES 140-017-8SP) . . . . .	4		
31	206-070-794-067	.SKIRT ASSY, PASSENGER SEAT, LH (USBL ON . . . . . 206-072-502-001)	1		A
31	206-070-794-073	.SKIRT ASSY, PASSENGER SEAT, LH (USBL ON . . . . . 206-072-502-003)	1		A
31	206-070-794-079	.SKIRT ASSY, PASSENGER SEAT, LH (USBL ON . . . . . 206-072-502-005)	1		A
31	206-070-794-085	.SKIRT ASSY, PASSENGER SEAT, LH (USBL ON . . . . . 206-072-502-007)	1		A

(1) INDEX NUMBER	(2) PART NUMBER	(3) ITEM NAME	(4) UNIT PER ASSY	(5) A V A I L	(6) U O C						
<b>FIGURE: 25-16. Seat installation, crew and passenger (S/N 1164 thru 3566) (Cont'd)</b>											
31	206-070-794-091	.SKIRT ASSY, PASSENGER SEAT, LH (USBL ON . . . . . 206-072-502-009)	1		A						
31	206-070-794-097	.SKIRT ASSY, PASSENGER SEAT, LH (USBL ON . . . . . 206-072-502-011)	1		A						
31	206-070-794-103	.SKIRT ASSY, PASSENGER SEAT, LH (USBL ON . . . . . 206-072-502-013)	1		A						
31	206-070-794-151	.SKIRT ASSY, PASSENGER SEAT, LH (USBL ON . . . . . 206-072-355-001 AND -003)	1								
32	206-070-794-068	.SKIRT ASSY, PASSENGER SEAT, RH (USBL ON . . . . . 206-072-502-001)	1		A						
32	206-070-794-074	.SKIRT ASSY, PASSENGER SEAT, RH (USBL ON . . . . . 206-072-502-003)	1		A						
32	206-070-794-080	.SKIRT ASSY, PASSENGER SEAT, RH (USBL ON . . . . . 206-072-502-005)	1		A						
32	206-070-794-086	.SKIRT ASSY, PASSENGER SEAT, RH (USBL ON . . . . . 206-072-502-007)	1		A						
32	206-070-794-092	.SKIRT ASSY, PASSENGER SEAT, RH (USBL ON . . . . . 206-072-502-009)	1		A						
32	206-070-794-098	.SKIRT ASSY, PASSENGER SEAT, RH (USBL ON . . . . . 206-072-502-011)	1		A						
32	206-070-794-104	.SKIRT ASSY, PASSENGER SEAT, RH (USBL ON . . . . . 206-072-502-013)	1		A						
32	206-070-794-152	.SKIRT ASSY, PASSENGER SEAT, RH (USBL ON . . . . . 206-072-355-001 AND -003)	1								
<p>USABLE ON CODES</p> <table border="0"> <tr> <td>CODE</td> <td>MODEL</td> <td>SERIAL NUMBER</td> </tr> <tr> <td>A</td> <td>206B/BIII</td> <td>1164-2211</td> </tr> </table>						CODE	MODEL	SERIAL NUMBER	A	206B/BIII	1164-2211
CODE	MODEL	SERIAL NUMBER									
A	206B/BIII	1164-2211									
<p>1) UNLESS A USABLE ON PART NUMBER IS LISTED IN THE ITEM NAME COLUMN; NO CODE INDICATES THE PART APPLIES TO ALL SERIAL NUMBERS.</p> <p>2) IF THE SERIAL NUMBER IS BLANK THE PART APPLIES TO ALL SERIAL NUMBERS FOR THAT MODEL.</p>											



206A/B/B3-25-1017  
C0001

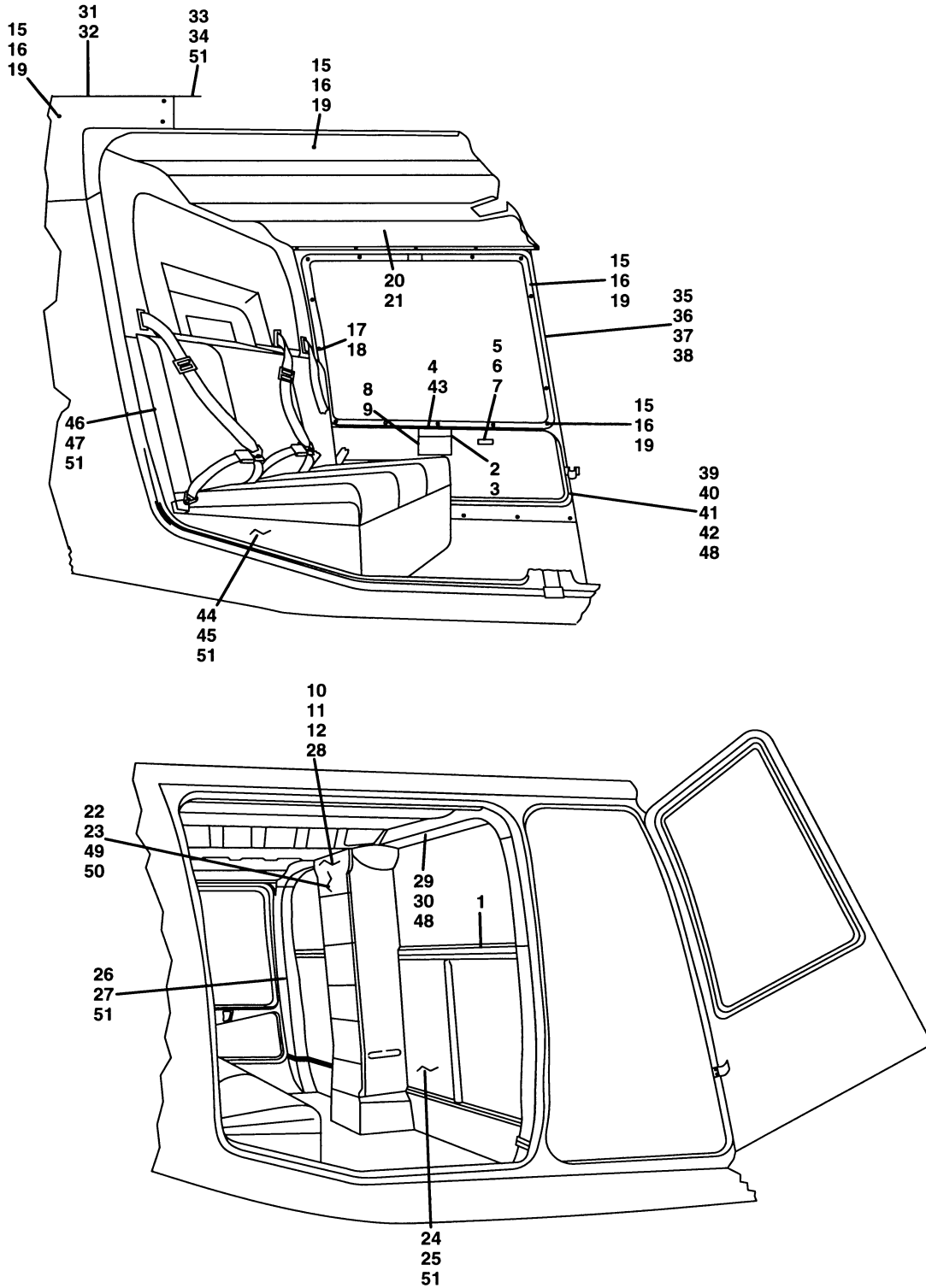
Figure 25-17. Trim installation (S/N 3567 thru SUB)



(1) INDEX NUMBER	(2) PART NUMBER	(3) ITEM NAME	(4) UNIT PER ASSY	(5) A V A I L	(6) U O C
		<b>FIGURE: 25-17. Trim installation (S/N 3567 thru SUB)</b>			
	206-072-150-103	TRIM INSTL (SEE FIG. 18 FOR BALANCE OF BREAKDOWN) . .	1		
1	206-001-214-101	.BOOT ASSY, COLLECTIVE STICK, PILOTS . . . . .	1	1	
2	AN229-1BL30-I	.FASTENER . . . . .	1		
3	MS27980-1B	.BUTTON . . . . .	10	1	
4	MS27980-6B	.SOCKET . . . . .	10	1	
5	MS27980-7B	.STUD . . . . .	2	1	
6	MS27980-8B	.EYELET . . . . .	2	1	
7	206-001-361-045	.BOOT ASSY, CYCLIC, STICK . . . . .	1	1	
8	AN227-11B	.BUTTON (REPLACED BY MS27981-1B) . . . . .	2		
8	MS27981-1B	.BUTTON (REPLACES AN227-11B) . . . . .	2	1	
9	AN227-12B	.SOCKET . . . . .	2	1	
10	AN227-13B	.STUD (REPLACED BY MS27981-4B) . . . . .	2		
10	MS27981-4B	.STUD (REPLACES AN227-13B) . . . . .	2	1	
11	AN227-14B	.EYELET (REPLACED BY MS27981-5B) . . . . .	2		
11	MS27981-5B	.EYELET (REPLACES AN227-14B) . . . . .	2	1	
12	AN525-832R8	.SCREW . . . . .	6	1	
13	NAS1329A08K75	.RIVNUT, BLIND . . . . .	6	1	
14	206-072-245-101	.DOOR HANDLE . . . . .	2	1	
15	206-072-173-101	.PLATE, DOOR HANDLE, LH . . . . .	1	1	
16	206-072-173-102	.PLATE, DOOR HANDLE, RH . . . . .	1	1	
17	120-079-6-8	.SCREW . . . . .	50	1	
18	120-079-6-12	.SCREW . . . . .	4	1	
19	NAS390S6P	.WASHER . . . . .	46	1	
20	NAS1329A06-75	.RIVNUT, BLIND . . . . .	56	1	
21	4408	.CHAFING TAPE . . . . .	4		
22	DELETED	. . . . .			
23	DELETED	. . . . .			
24	DELETED	. . . . .			
25	120-079-6-10	.SCREW . . . . .	2	1	
26	NAS390S6P	.WASHER . . . . .	2	1	
27	NAS1149D0332J	.WASHER . . . . .	2		
28	MS35489-1	.GROMMET . . . . .	8	1	
29	140-017-6BC	.WASHER . . . . .	8	1	
30	100-100-1	.BEZEL . . . . .	2	1	
31	100-100-5	.BEZEL . . . . .	2	1	
	206-072-150-101	.TRIM SET (SEE FIG. 18 FOR BALANCE OF BREAKDOWN) . .	1		A
	206-072-150-109	.TRIM SET (SEE FIG. 18 FOR BALANCE OF BREAKDOWN) . .	1		B
	206-072-150-111	.TRIM SET (SEE FIG. 18 FOR BALANCE OF BREAKDOWN) . .	1		D
	206-072-150-113	.TRIM SET (SEE FIG. 18 FOR BALANCE OF BREAKDOWN) . .	1		E
32	206-072-140-101	.PANEL, CREW DOOR FRAME, LH . . . . .	1	1	
33	206-072-140-102	.PANEL, CREW DOOR FRAME, RH . . . . .	1	1	
34	206-072-142-101	.PANEL, CREW CENTER HEADLINER (USBL ON . . . . .	1	1	A
	206-072-150-101)				
34	206-072-330-101	.PANEL, CREW CENTER HEADLINER (USBL ON . . . . .	1		BDE
	206-072-150-109, -111 AND -113)				
35	206-072-122-105	.PANEL ASSY, CREW DOOR, LH (USBL ON . . . . .	1	1	A
	206-072-150-101) (REPLACED BY				
	206-072-122-107)				

(1) INDEX NUMBER	(2) PART NUMBER	(3) ITEM NAME	(4) UNIT PER ASSY	(5) A V A I L	(6) U O C
		<b>FIGURE: 25-17. Trim installation (S/N 3567 thru SUB) (Cont'd)</b>			
35	206-072-122-107	..PANEL ASSY, CREW DOOR, LH (USBL ON . . . . . 206-072-150-101 AND -109) (REPLACES 206-072-122-105)	1		B
35	206-072-122-109	..PANEL ASSY, CREW DOOR, LH (USBL ON . . . . . 206-072-150-111 AND -113)	1		DE
36	206-072-122-106	..PANEL ASSY, CREW DOOR, RH (USBL ON . . . . . 206-072-150-101) (REPLACED BY 206-072-122-108)	1	1	A
36	206-072-122-108	..PANEL ASSY, CREW DOOR, RH (USBL ON . . . . . 206-072-150-101 AND -109) (REPLACES 206-072-122-106)	1		AB
36	206-072-122-110	..PANEL ASSY, CREW DOOR, RH (USBL ON . . . . . 206-072-150-111 AND -113)	1		DE
37	206-072-143-101	..PANEL, CREW DOOR POST, LH . . . . .	1	1	
38	206-072-143-102	..PANEL, CREW DOOR POST, RH . . . . .	1	1	
39	206-072-291-101	..SPACER . . . . .	2	1	
40	206-072-181-101	..POCKET ASSY, MAP . . . . .	1	1	
41	50-029-7BT	..HOOK . . . . .	1	1	
42	50-029-8B	..PILE . . . . .	1	1	
43	206-072-141-105	..PANEL, NOSE, LH . . . . .	1	1	
44	206-072-158-105	..PANEL, NOSE, RH . . . . .	1	1	
45	206-072-163-103	..PANEL ASSY, PILOT'S COLLECTIVE CLOSEOUT . . . . .	1	1	
46	MS27980-7B	..STUD . . . . .	8	1	
47	MS27980-8B	..EYELET . . . . .	8	1	
48	50-029-8AT	..PILE . . . . .	1	1	
49	206-072-161-107	..PANEL, CREW CARPET CLOSEOUT, LH . . . . .	1	1	
50	206-072-161-105	..PANEL, CREW CARPET CLOSEOUT, RH . . . . .	1	1	
51	206-072-164-101	..PANEL ASSY, CROSSTUBE CLOSEOUT, LH (USBL ON . . . . . 206-072-150-101, -109 AND -111)	1	1	ABCD
51	206-072-164-103	..PANEL ASSY, CROSSTUBE CLOSEOUT, LH (USBL ON . . . . . 206-072-150-113)	1		E
52	206-072-164-102	..PANEL ASSY, CROSSTUBE CLOSEOUT, RH (USBL ON . . . . . 206-072-150-101, -109 AND -111)	1	1	ABCD
52	206-072-164-104	..PANEL ASSY . . . . . (USBL ON 206-072-150-113)	1		E
53	206-072-167-101	..PANEL, CREW SEAT BACK CLOSEOUT, LH . . . . .	1	1	
54	206-072-168-101	..PANEL, CREW SEAT BACK CLOSEOUT, RH . . . . .	1	1	
55	206-072-192-103	..PANEL, FIRE EXTINGUISHER . . . . .	1	1	
56	206-072-172-101	..PANEL ASSY, CENTER POST MAP POCKET . . . . .	1	1	
57	50-029-7AT	..HOOK . . . . .	2	1	
58	AN5800-1	..HOLDER ASSY . . . . .	1	1	

(1) INDEX NUMBER	(2) PART NUMBER	(3) ITEM NAME	(4) UNIT PER ASSY	(5) A V A I L	(6) U O C																		
		<p><b>FIGURE: 25-17. Trim installation (S/N 3567 thru SUB) (Cont'd)</b></p> <p style="text-align: center;">USABLE ON CODES</p> <table border="0" style="margin-left: auto; margin-right: auto;"> <thead> <tr> <th style="text-align: left;">CODE</th> <th style="text-align: left;">MODEL</th> <th style="text-align: left;">SERIAL NUMBER</th> </tr> </thead> <tbody> <tr> <td>A</td> <td>206BIII</td> <td>3567-4359</td> </tr> <tr> <td>B</td> <td>206BIII</td> <td>4360-4399</td> </tr> <tr> <td>C</td> <td>206BIII</td> <td>4360-SUB</td> </tr> <tr> <td>D</td> <td>206BIII</td> <td>4400-4429</td> </tr> <tr> <td>E</td> <td>206BIII</td> <td>4430-SUB</td> </tr> </tbody> </table> <p>1) UNLESS A USABLE ON PART NUMBER IS LISTED IN THE ITEM NAME COLUMN; NO CODE INDICATES THE PART APPLIES TO ALL SERIAL NUMBERS.</p> <p>2) IF THE SERIAL NUMBER IS BLANK THE PART APPLIES TO ALL SERIAL NUMBERS FOR THAT MODEL.</p>	CODE	MODEL	SERIAL NUMBER	A	206BIII	3567-4359	B	206BIII	4360-4399	C	206BIII	4360-SUB	D	206BIII	4400-4429	E	206BIII	4430-SUB			
CODE	MODEL	SERIAL NUMBER																					
A	206BIII	3567-4359																					
B	206BIII	4360-4399																					
C	206BIII	4360-SUB																					
D	206BIII	4400-4429																					
E	206BIII	4430-SUB																					



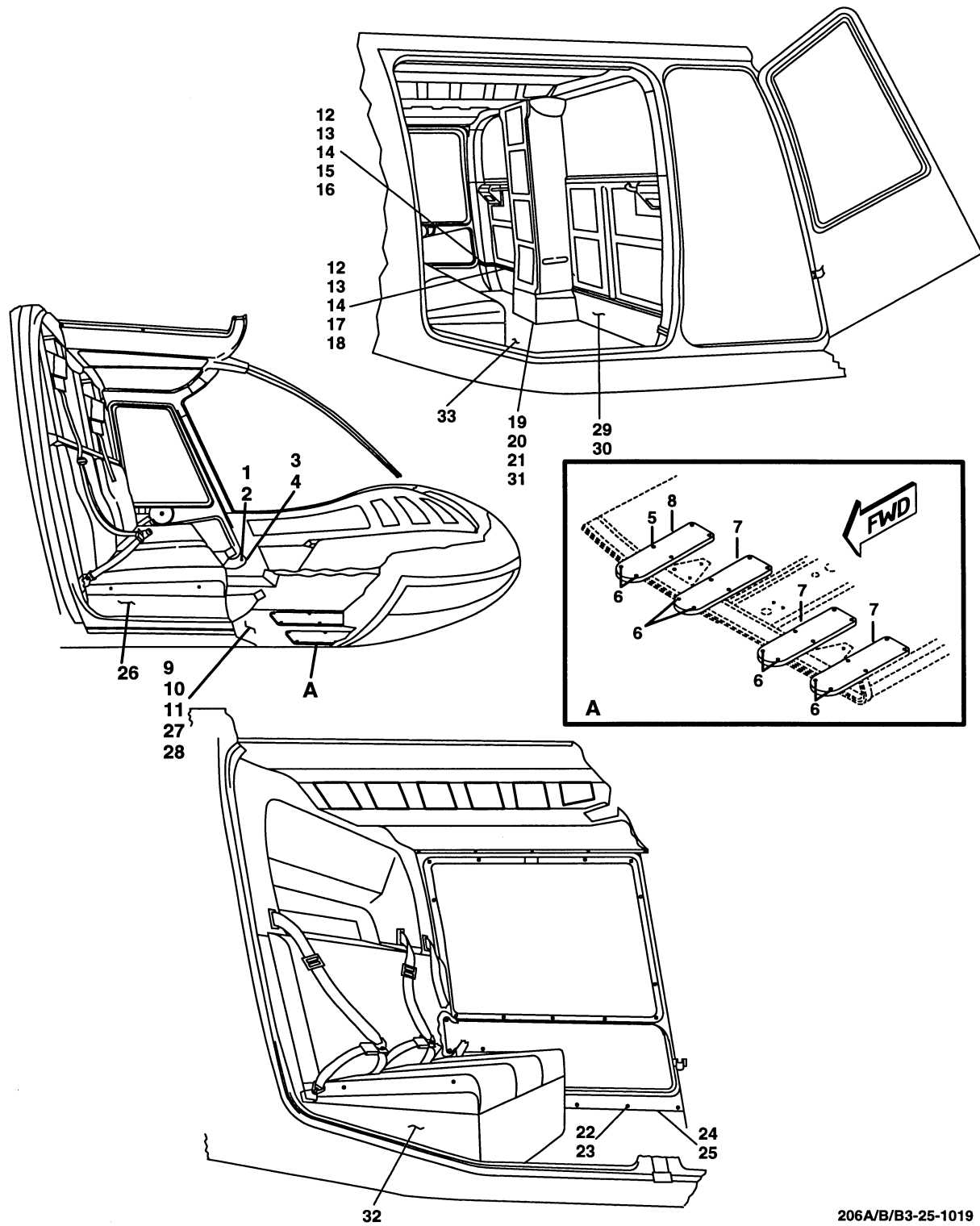
206A/B/B3-25-1018  
C0001

Figure 25-18. Trim installation (S/N 3567 thru SUB)

(1) INDEX NUMBER	(2) PART NUMBER	(3) ITEM NAME	(4) UNIT PER ASSY	(5) A V A I L	(6) U O C
		<b>FIGURE: 25-18. Trim installation (S/N 3567 thru SUB)</b>			
		TRIM INSTL (SEE FIG. 17 FOR BALANCE OF BREAKDOWN) . .	REF		
1	206-072-150-103	.ASHTRAY . . . . .	2	1	
2	65A2206	.SCREW . . . . .	6	1	
3	AN525-832R8	.RIVNUT, BLIND . . . . .	6	1	
4	NAS1329A08-75	.DOOR HANDLE . . . . .	2	1	
5	206-072-245-101	.WASHER . . . . .	4	1	
6	140-017-6BC	.BEZEL . . . . .	2	1	
7	100-100-1	.BEZEL . . . . .	2	1	
8	100-100-5	.PLATE, DOOR HANDLE, LH . . . . .	1	1	
9	206-072-173-101	.PLATE, DOOR HANDLE, RH . . . . .	1	1	
10	206-072-173-102	.SCREW . . . . .	6	1	
11	120-079-6-6	.WASHER . . . . .	6	1	
12	NAS390S6P	.GROMMET . . . . .	6	1	
13	MS35489-1	. . . . .			
14	DELETED	. . . . .			
15	DELETED	. . . . .			
16	120-079-6-8	.SCREW . . . . .	34	1	
17	NAS390S6P	.WASHER . . . . .	34	1	
18	120-079-6-12	.SCREW . . . . .	4	1	
19	NAS390S8P	.WASHER . . . . .	4	1	
20	NAS1329A06-75	.RIVNUT, BLIND . . . . .	38	1	
21	206-072-261-101	.INSERT ASSY, LH . . . . .	1	1	
22	206-072-261-102	.INSERT ASSY, RH . . . . .	1	1	
23	50-029-11BT	.HOOK . . . . .	1	1	B
	50-029-12AT	.PILE . . . . .	1	1	B
	206-072-150-101	.TRIM SET (SEE FIG. 17 FOR BALANCE OF BREAKDOWN) . .	REF		A
	206-072-150-109	.TRIM SET (SEE FIG. 17 FOR BALANCE OF BREAKDOWN) . .	REF		C
	206-072-150-111	.TRIM SET (SEE FIG. 17 FOR BALANCE OF BREAKDOWN) . .	REF		D
	206-072-150-113	.TRIM SET (SEE FIG. 17 FOR BALANCE OF BREAKDOWN) . .	REF		E
24	206-072-120-103	. . PANEL ASSY, CREW SEAT BACK, LH . . . . .	1	1	
25	206-072-120-104	. . PANEL ASSY, CREW SEAT BACK, RH . . . . .	1	1	
26	206-072-139-101	. . PANEL ASSY, CENTER ROLLOVER, LH . . . . .	1	1	
27	206-072-139-102	. . PANEL ASSY, CENTER ROLLOVER, RH . . . . .	1	1	
28	206-072-116-103	. . PANEL ASSY, CENTER POST, AFT . . . . .	1	1	
29	206-072-166-103	. . PANEL ASSY, INERTIA REEL SUPPORT, LH . . . . .	1	1	
30	206-072-166-104	. . PANEL ASSY, INERTIA REEL SUPPORT, RH . . . . .	1	1	
31	206-072-165-105	. . PANEL ASSY, PASSENGER HEADLINER, OUTBOARD, LH . .	1	1	
32	206-072-165-106	. . PANEL ASSY, PASSENGER HEADLINER, OUTBOARD, RH . .	1	1	
33	206-072-165-107	. . PANEL, PASSENGER HEADLINER, OUTBOARD, LH . . . . .	1	1	
34	206-072-165-108	. . PANEL, PASSENGER HEADLINER, OUTBOARD, RH . . . . .	1	1	
35	206-072-113-107	. . PANEL ASSY, PASSENGER DOOR, LH . . . . .	1		
36	927024-75-13	. . . EXTRUSION . . . . .	1	1	
37	4408	. . . CHAFING TAPE . . . . .	1		
38	50-029-8AT	. . . PILE . . . . .	1	1	
39	206-072-113-108	. . PANEL ASSY, PASSENGER DOOR, RH . . . . .	1		
40	927024-75-13	. . . EXTRUSION . . . . .	1	1	
41	4408	. . . CHAFING TAPE . . . . .	1		
42	50-029-8AT	. . . PILE . . . . .	1	1	
43	206-072-291-101	. . SPACER . . . . .	2	1	
44	206-072-162-101	. . PANEL, PASSENGER CARPET CLOSEOUT, LH . . . . .	1	1	
45	206-072-162-102	. . PANEL, PASSENGER CARPET CLOSEOUT, RH . . . . .	1	1	



(1) INDEX NUMBER	(2) PART NUMBER	(3) ITEM NAME	(4) UNIT PER ASSY	(5) A V A I L	(6) U O C
		<b>FIGURE: 25-18. Trim installation (S/N 3567 thru SUB) (Cont'd)</b>			
46	206-072-169-101	.. PANEL, PASSENGER SEAT BACK CLOSEOUT, LH . . . . .	1	1	
47	206-072-169-103	.. PANEL, PASSENGER SEAT BACK CLOSEOUT, RH . . . . .	1	1	
48	50-029-7AT	.HOOK . . . . .	1	1	
49	50-029-7A	.HOOK . . . . .	1	1	
50	50-029-8A	.PILE . . . . .	1	1	
51	4408	.CHAFING TAPE . . . . .	1		
		USABLE ON CODES			
		CODE      MODEL                      SERIAL NUMBER			
		A      206BIII                      3567-4359			
		B      206BIII                      4360-SUB			
		C      206BIII                      4360-4399			
		D      206BIII                      4400-4429			
		E      206BIII                      4430-SUB			
		1) UNLESS A USABLE ON PART NUMBER IS LISTED IN THE ITEM NAME COLUMN; NO CODE INDICATES THE PART APPLIES TO ALL SERIAL NUMBERS.			
		2) IF THE SERIAL NUMBER IS BLANK THE PART APPLIES TO ALL SERIAL NUMBERS FOR THAT MODEL.			

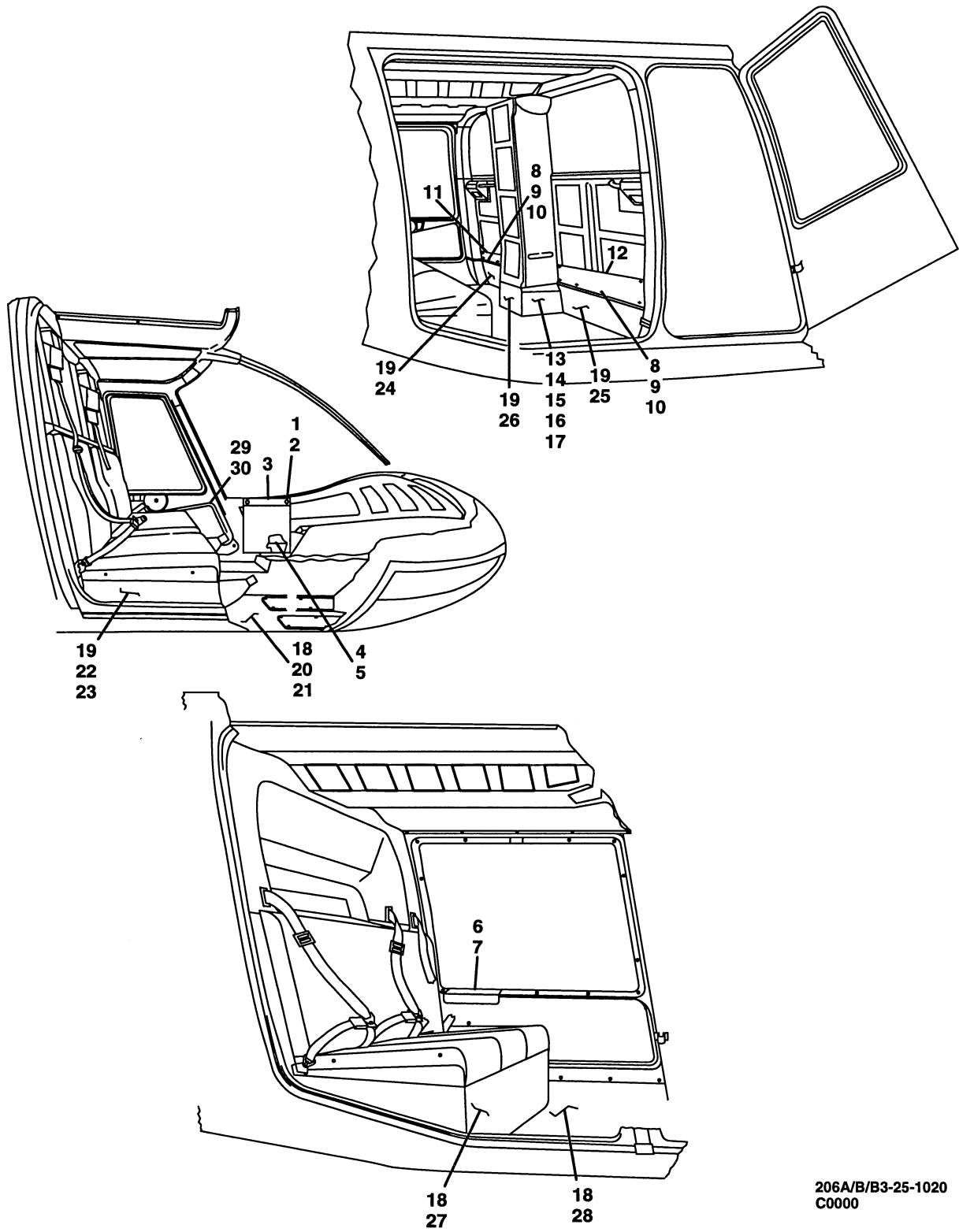


206A/B/B3-25-1019  
C0000

Figure 25-19. Carpet installation, cabin interior, deluxe (S/N 1164 thru 3566)



(1) INDEX NUMBER	(2) PART NUMBER	(3) ITEM NAME	(4) UNIT PER ASSY	(5) A V A I L	(6) U O C
		<b>FIGURE: 25-19. Carpet installation, cabin interior, deluxe (S/N 1164 thru 3566)</b>			
	206-072-385-003	CARPET INSTL, CABIN INTERIOR, DELUXE . . . . .	1		
	206-070-725-007	.SCUFF PLATE INSTL, LH . . . . .	1		
	206-070-725-008	.SCUFF PLATE INSTL, RH . . . . .	1		
1	AN520-10R8	..SCREW (REPLACED BY MS35207-263) . . . . .	3		
1	MS35207-263	..SCREW (REPLACES AN520-10R8) . . . . .	3		
2	AN960-C10L	..WASHER (REPLACED BY AN960C10L) . . . . .	3		
2	AN960C10L	..WASHER (REPLACES AN960-C10L) . . . . .	3		
3	206-070-725-005	..SCUFF PLATE . . . . .	1		
4	206-070-725-006	..SCUFF PLATE . . . . .	1		
5	MS24964S52	..SCREW . . . . .	16		
6	MS24964S57	..SCREW . . . . .	8		
7	206-070-589-001	.HEEL REST ASSY . . . . .	3		
8	206-070-589-003	.HEEL REST ASSY . . . . .	1		
9	NAS1329A06-75	.RIVNUT, BLIND . . . . .	4		
10	140-017-6SP	.WASHER (REPLACED BY 140-017-6SC) . . . . .	4		
10	140-017-6SC	.WASHER (REPLACES 140-017-6SP) . . . . .	4		
11	120-079-6-12	..SCREW . . . . .	4		
12	NAS1329A06-75	.RIVNUT, BLIND . . . . .	10		
13	140-017-6SP	.WASHER (REPLACED BY 140-017-6SC) . . . . .	10		
13	140-017-6SC	.WASHER (REPLACES 140-017-6SP) . . . . .	10		
14	120-079-6-16	..SCREW . . . . .	10		
15	206-070-791-021	.MOLDING, CARPET TRIM, BHD 73.0 REAR, OUTER, LH . . .	1		
16	206-070-791-022	.MOLDING, CARPET TRIM, BHD 73.0 REAR, OUTER, RH . . .	1		
17	206-070-791-023	.MOLDING, CARPET TRIM, BHD 73.0 REAR, INNER, LH . . .	1		
18	206-070-791-024	.MOLDING, CARPET TRIM, BHD 73.0 REAR, INNER, RH . . .	1		
19	120-079-6-12	..SCREW . . . . .	2		
20	140-017-6SP	.WASHER (REPLACED BY 140-017-6SC) . . . . .	2		
20	140-017-6SC	.WASHER (REPLACES 140-017-6SP) . . . . .	2		
21	206-070-790-025	.SHELL, CENTER POST . . . . .	1		
	206-070-725-009	.SCUFF PLATE INSTL, LH . . . . .	1		
	206-070-725-010	.SCUFF PLATE INSTL, RH . . . . .	1		
22	AN520-10R8	..SCREW (REPLACED BY MS35207-263) . . . . .	4		
22	MS35207-263	..SCREW (REPLACES AN520-10R8) . . . . .	4		
23	AN960-C10L	..WASHER (REPLACED BY AN960C10L) . . . . .	4		
23	AN960C10L	..WASHER (REPLACES AN960-C10L) . . . . .	4		
24	206-070-725-003	..SCUFF PLATE, LH . . . . .	1		
25	206-070-725-004	..SCUFF PLATE, RH . . . . .	1		
	206-072-380-003	.CARPET SET . . . . .	1		
26	206-072-393-001	..CARPET ASSY, CREW SEAT BASE . . . . .	1		
27	206-072-387-001	..CARPET ASSY, COPILOT FLOOR, LH . . . . .	1		
28	206-072-388-001	..CARPET ASSY, PILOT FLOOR, RH . . . . .	1		
29	206-072-391-001	..CARPET ASSY, CREW SEAT BACK BHD, LH . . . . .	1		
30	206-072-392-001	..CARPET ASSY, CREW SEAT BACK BHD, RH . . . . .	1		
31	206-072-390-001	..CARPET, CENTER POST BASE . . . . .	1		
32	206-072-394-001	.CARPET ASSY, PASSENGER SEAT BASE . . . . .	1		
33	206-072-389-001	.CARPET ASSY, PASSENGER COMPARTMENT FLOOR . . . . .	1		



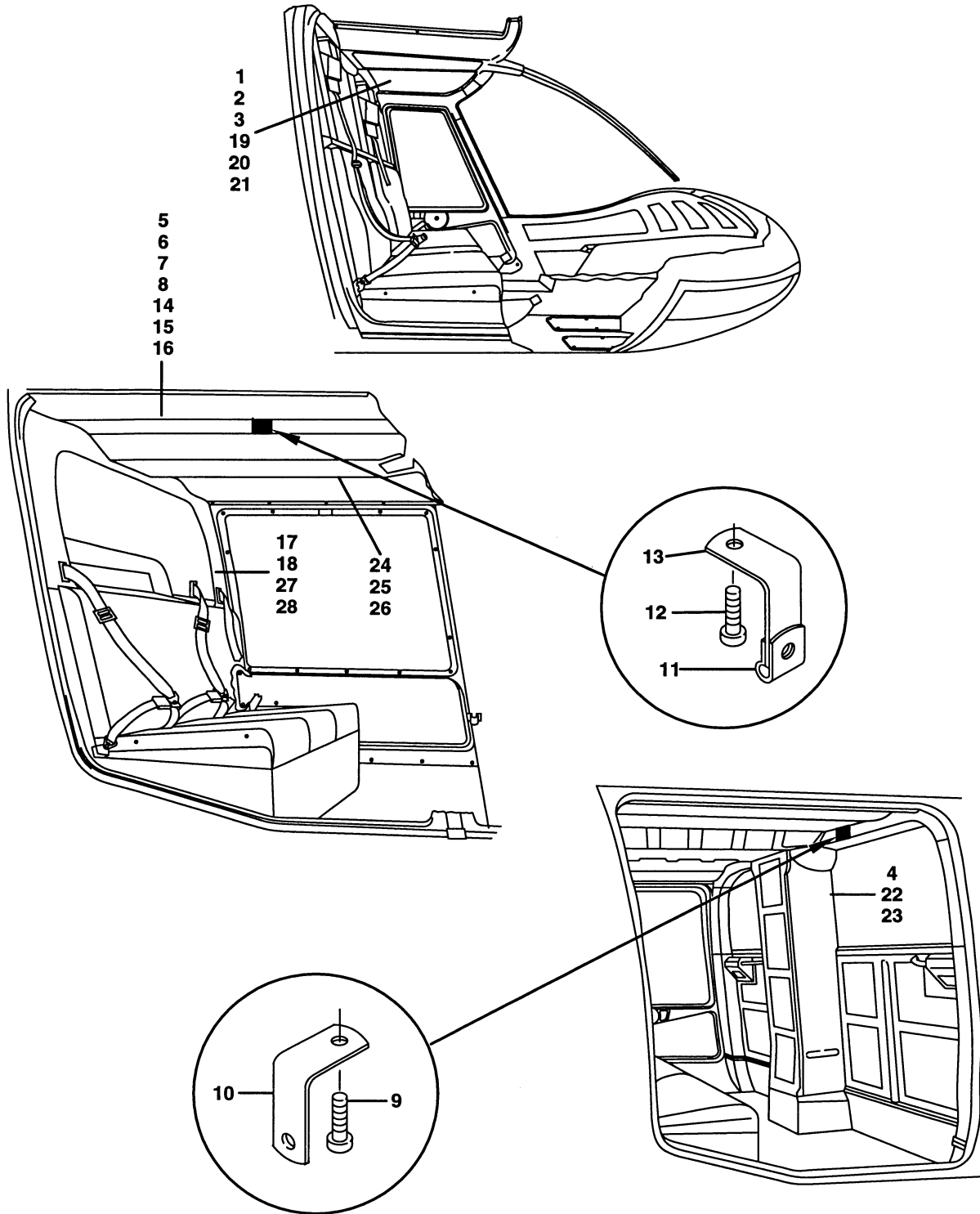
206A/B/B3-25-1020  
C0000

Figure 25-20. Seat kit, deluxe; carpet kit, cabin interior, deluxe

(1) INDEX NUMBER	(2) PART NUMBER	(3) ITEM NAME	(4) UNIT PER ASSY	(5) A V A I L	(6) U O C
		<b>FIGURE: 25-20. Seat kit, deluxe; carpet kit, cabin interior, deluxe</b>			
	206-705-716-101	SEAT KIT, DELUXE (SEE FIG. 5 FOR BALANCE OF . . . . . BREAKDOWN)	REF		A
	206-705-716-103	SEAT KIT, DELUXE (SEE FIG. 5 FOR BALANCE OF . . . . . BREAKDOWN)	REF		A
	206-705-717-101	SEAT KIT, CUSTOM DELUXE (SEE FIG. 5 FOR BALANCE OF . . . . . BREAKDOWN)	REF		A
	206-705-717-103	SEAT KIT, CUSTOM DELUXE (SEE FIG. 5 FOR BALANCE OF . . . . . BREAKDOWN)	REF		A
1	120-079-10-12	.SCREW (USBL ON 206-705-716-103 AND . . . . . 206-705-717-103)	2		
2	140-017-10SC	.WASHER (USBL ON 206-705-716-103 AND . . . . . 206-705-717-103)	2		
3	206-372-001-101	.POCKET ASSEMBLY (USBL ON 206-705-716-103 AND . . . . . 206-705-717-103)	1		
4	50-029-7BT	.HOOK (USBL ON 206-705-716-103 AND . . . . . 206-705-717-103)	1		
5	50-029-8BT	.PILE (USBL ON 206-705-716-103 AND . . . . . 206-705-717-103)	1		
6	206-072-182-101	.ARMREST ASSY, LH . . . . .	1		
7	206-072-182-102	.ARMREST ASSY, RH . . . . .	1		
8	NAS1329A06K75	.RIVNUT, BLIND (USBL ON 206-705-717-101 AND . . . . . -103)	12		
9	140-017-6BB	.WASHER (USBL ON 206-705-717-101 AND -103) . . . . .	12		
10	120-079-68B	.SCREW (USBL ON 206-705-717-101 AND -103) . . . . .	12		
11	206-072-183-101	.POCKET ASSY, PASSENGER, LH (USBL ON . . . . . 206-705-717-101 AND -103)	1		
12	206-072-183-102	.POCKET ASSY, PASSENGER, RH (USBL ON . . . . . 206-705-717-101 AND -103)	1		
	206-705-300-001	CARPET KIT, CABIN INTERIOR, DELUXE . . . . .	1		A
	206-705-300-115	CARPET KIT, CABIN INTERIOR, CUSTOM DELUXE . . . . .	1		A
	206-705-300-003	CARPET KIT, CABIN INTERIOR, DELUXE . . . . .	1		A
	206-705-300-315	CARPET KIT, CABIN INTERIOR, CUSTOM DELUXE . . . . .	1		A
13	120-079-6-12	.SCREW (USBL ON 206-705-300-001, -115 AND -315) . . . . . (ALTERNATE PART)	4		
14	50-029-9	.HOOK (USBL ON 206-705-300-001, -115 AND -315) . . . . .	2		
15	140-017-6SP	.WASHER (REPLACED BY 140-017-6SC) (USBL ON . . . . . 206-705-300-001, -115 AND -315)	4		
15	140-017-6SC	.WASHER (REPLACES 140-017-6SP) (USBL ON . . . . . 206-705-300-001, -115 AND -315) (ALTERNATE PART)	4		
16	50-029-10	.PILE (USBL ON 206-705-300-001, -115 AND -315) . . . . .	2		
17	206-072-185-115	.PANEL ASSY, PASSENGER CARPET (USBL ON . . . . . 206-705-300-001, -115 AND -315)	1		
18	50-029-11AP	.HOOK (USBL ON 206-705-300-001, -115 AND -315) . . . . .	3		
19	50-029-11BT	.HOOK . . . . .	5		
	206-072-886-001	.CARPET SET, DELUXE (USBL ON 206-705-300-001) . . . . .	1		
20	206-072-303-001	. . . CARPET ASSY, CO-PILOT FLOOR . . . . .	1		
21	206-072-304-001	. . . CARPET ASSY, PILOT FLOOR . . . . .	1		
22	206-072-305-001	. . . CARPET ASSY, CO-PILOT BHD . . . . .	1		



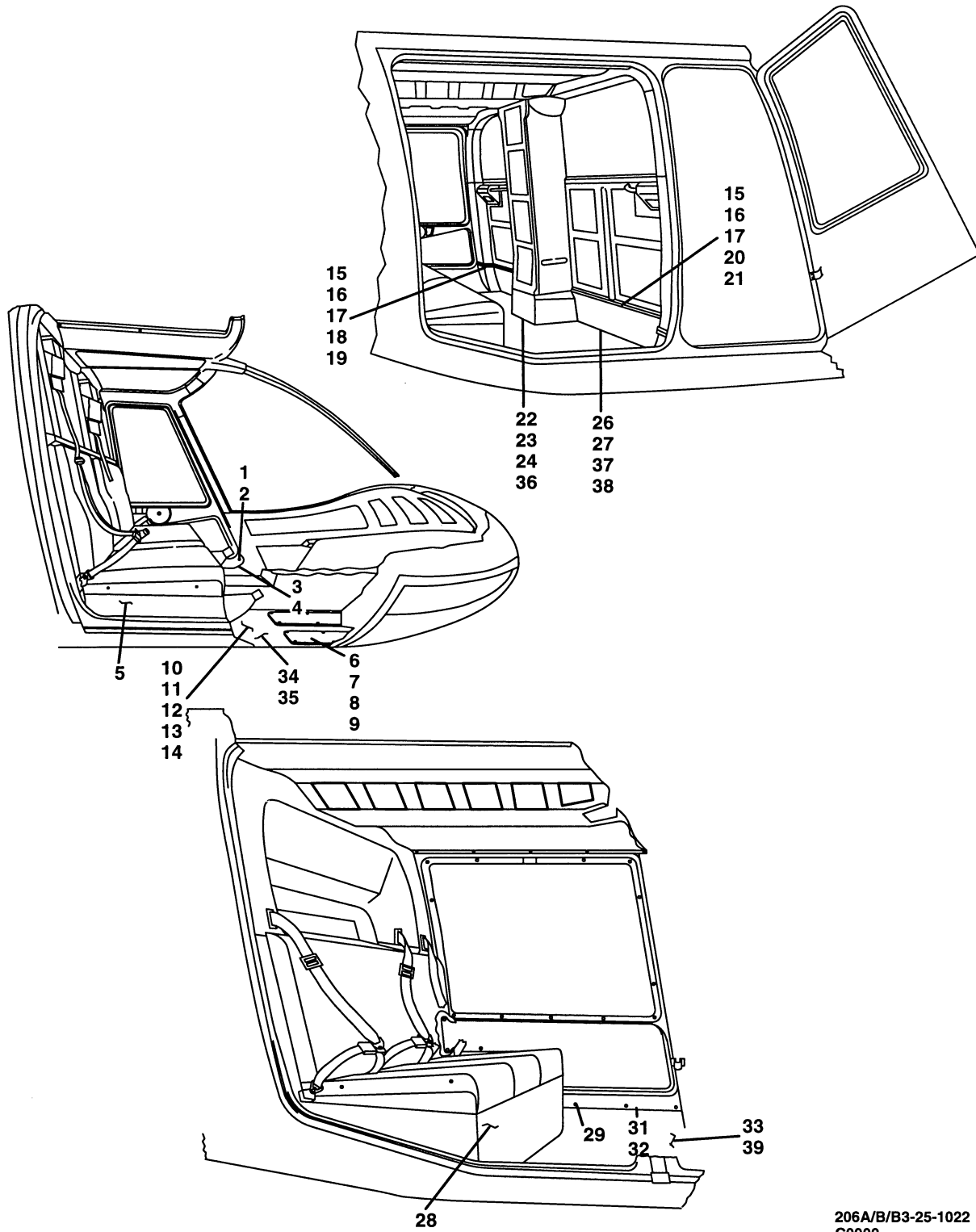
(1) INDEX NUMBER	(2) PART NUMBER	(3) ITEM NAME	(4) UNIT PER ASSY	(5) A V A I L	(6) U O C
		<b>FIGURE: 25-20. Seat kit, deluxe; carpet kit, cabin interior, deluxe (Cont'd)</b>			
23	206-072-306-001	..CARPET ASSY, PILOT BHD . . . . .	1		
24	206-072-311-001	..CARPET ASSY, CREW SEAT BACK, LH . . . . .	1		
25	206-072-312-001	..CARPET ASSY, CREW SEAT BACK, RH . . . . .	1		
26	206-072-302-001	..CARPET ASSY, CREW SEAT BACK, CENTER . . . . .	1		
27	206-072-300-001	..CARPET ASSY, PASSENGER SEAT BASE . . . . .	1		
28	206-072-301-001	..CARPET ASSY, PASSENGER FLOOR . . . . .	1		
	206-072-886-003	.CARPET SET, CUSTOM DELUXE (USBL ON . . . . . 206-705-300-003)	1		
29	206-072-307-001	..CARPET, CO-PILOT DOOR . . . . .	1		
30	206-072-308-001	..CARPET, PILOT DOOR . . . . .	1		
		USABLE ON CODES			
		CODE            MODEL            SERIAL NUMBER			
		A                206BIII			
		1) UNLESS A USABLE ON PART NUMBER IS LISTED IN THE ITEM NAME COLUMN; NO CODE INDICATES THE PART APPLIES TO ALL SERIAL NUMBERS.			
		2) IF THE SERIAL NUMBER IS BLANK THE PART APPLIES TO ALL SERIAL NUMBERS FOR THAT MODEL.			



206A/B/B3-25-1021  
C0000

Figure 25-21. Standard trim kit

(1) INDEX NUMBER	(2) PART NUMBER	(3) ITEM NAME	(4) UNIT PER ASSY	(5) A V A I L	(6) U O C
		<b>FIGURE: 25-21. Standard trim kit</b>			
	206-705-105-101	STANDARD TRIM KIT . . . . .	1		A
1	NAS1329A06K75	.RIVNUT, BLIND . . . . .	6		
2	NAS390B6P	.WASHER . . . . .	6		
3	120-079-6-6	.SCREW . . . . .	6		
4	AN525-832R6	.SCREW . . . . .	8		
5	NAS1329A06K75	.RIVNUT, BLIND . . . . .	2		
6	MS35489-1	.GROMMET . . . . .	4		
7	NAS390B6P	.WASHER . . . . .	6		
8	120-079-6-6	.SCREW . . . . .	4		
9	AN525-832R6	.SCREW . . . . .	2		
10	MS9592-174	.BRACKET . . . . .	2		
11	SL210-06-1	.CLIPNUT . . . . .	2		
12	AN525-832R6	.SCREW . . . . .	2		
13	MS9592-174	.BRACKET . . . . .	2		
14	AN525-832R10	.SCREW . . . . .	4		
15	120-079-6-8	.SCREW . . . . .	2		
16	AN970-3	.WASHER . . . . .	4		
17	120-079-10-10	.SCREW . . . . .	4		
18	140-017-10BC	.WASHER . . . . .	4		
	206-705-105-103	.TRIM SET . . . . .	1		
19	206-072-123-105	..PANEL ASSY, HEADLINER, CREW, LH . . . . .	1		
20	206-072-123-107	..PANEL ASSY, HEADLINER, CREW, RH . . . . .	1		
21	206-072-170-101	...GRILL . . . . .	1		
22	206-072-115-101	..PANEL, SIDE, CENTER POST, LH . . . . .	1		
23	206-072-115-102	..PANEL, SIDE, CENTER POST, RH . . . . .	1		
24	206-072-114-107	..PANEL ASSY, HEADLINER, PASSENGER . . . . .	1		
25	206-073-540-101	...GASKET . . . . .	2		
26	50-029-8AT	...PILE . . . . .	1		
27	206-072-112-101	..PANEL ASSY, HATBIN . . . . .	1		
28	222-020-709-103	...GUIDE . . . . .	3		
		USABLE ON CODES			
		CODE            MODEL            SERIAL NUMBER			
		A                206BIII			
		1) UNLESS A USABLE ON PART NUMBER IS LISTED IN THE ITEM NAME COLUMN; NO CODE INDICATES THE PART APPLIES TO ALL SERIAL NUMBERS.			
		2) IF THE SERIAL NUMBER IS BLANK THE PART APPLIES TO ALL SERIAL NUMBERS FOR THAT MODEL.			



206A/B/B3-25-1022  
C0000

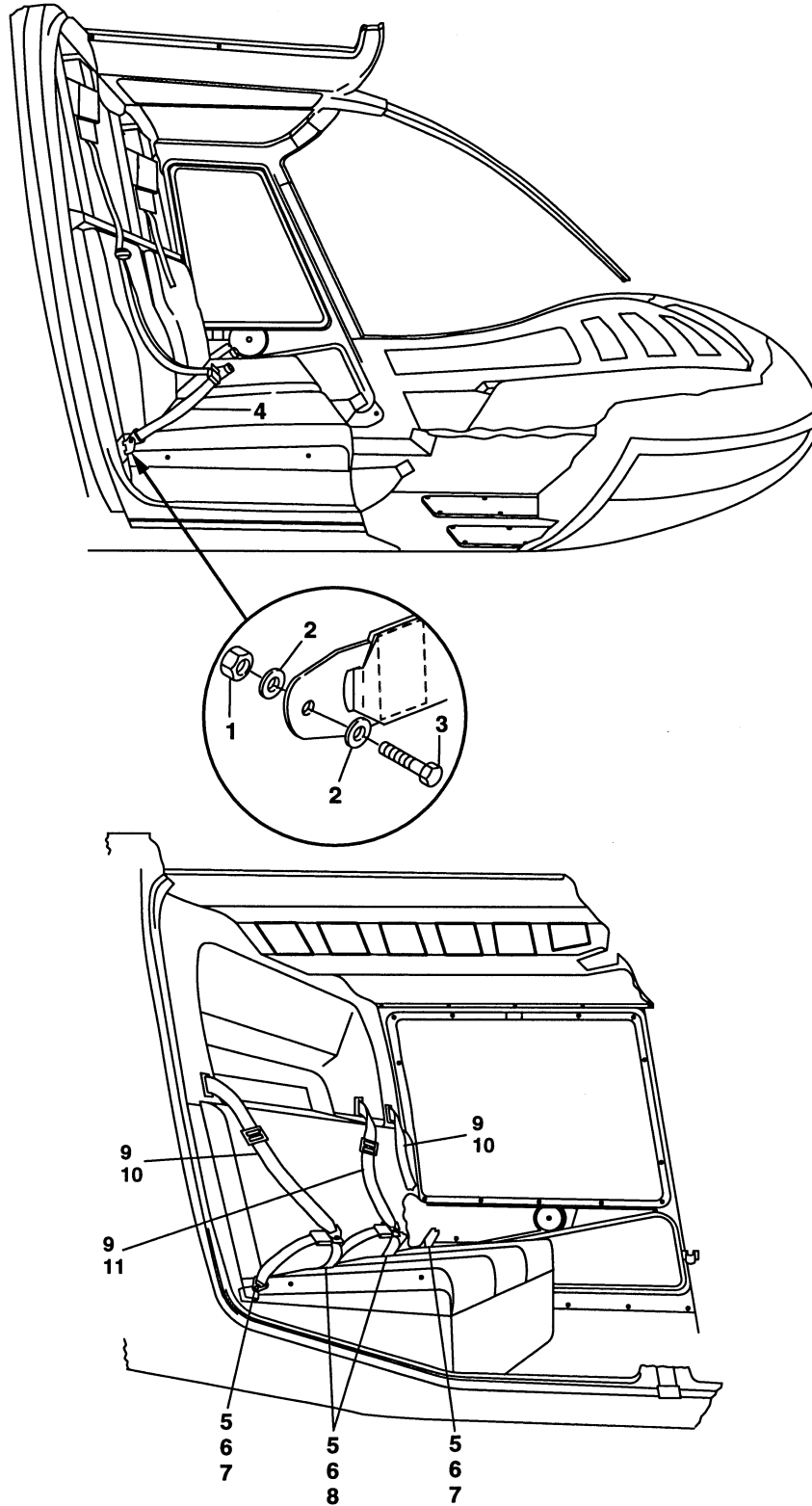
Figure 25-22. Carpet installation, utility; carpet installation, cabin interior (S/N 1164 thru 3566)



(1) INDEX NUMBER	(2) PART NUMBER	(3) ITEM NAME	(4) UNIT PER ASSY	(5) A V A I L	(6) U O C
		<b>FIGURE: 25-22. Carpet installation, utility; carpet installation, cabin interior (S/N 1164 thru 3566)</b>			
	206-072-503-001	CARPET INSTL, UTILITY . . . . .	1		
	206-072-503-011	CARPET INSTL, UTILITY . . . . .	1		
	206-072-503-013	CARPET INSTL, UTILITY . . . . .	1		
	206-072-385-001	CARPET INSTL, CABIN INTERIOR . . . . .	1		
	206-070-725-007	.SCUFF PLATE INSTL, LH . . . . .	1	0	
	206-070-725-008	.SCUFF PLATE INSTL, RH . . . . .	1	0	
1	AN520-10R8	..SCREW (REPLACED BY MS35207-263) . . . . .	3		
1	MS35207-263	..SCREW (REPLACES AN520-10R8) . . . . .	3	1	
2	AN960-C10L	..WASHER (REPLACED BY AN960C10L) . . . . .	3		
2	AN960C10L	..WASHER (REPLACES AN960-C10L) (REPLACED BY . . . . . NAS1149C0332R)	3		
2	NAS1149C0332R	..WASHER (REPLACES AN960C10L) . . . . .	3	1	
3	206-070-725-005	..SCUFF PLATE . . . . .	1	1	
4	206-070-725-006	..SCUFF PLATE . . . . .	1	1	
5	206-070-773-099	.CARPET ASSY, CREW COMPARTMENT, BHD (USBL ON . . . . . 206-072-503-011)	1		B
5	206-070-772-003	.CARPET ASSY, CREW COMPARTMENT, BHD (USBL ON . . . . . 206-072-503-013)	1		B
5	206-070-772-004	.CARPET ASSY, CREW COMPARTMENT, BHD (USBL ON . . . . . 206-072-503-013)	1		B
6	MS24694S57	.SCREW (REPLACED BY MS24694-S57) . . . . .	8	1	
6	MS24694-S57	.SCREW (REPLACES MS24694S57) . . . . .	8		
7	MS24694S52	.SCREW (REPLACED BY MS24694-S52) . . . . .	16		
7	MS24694-S52	.SCREW (REPLACES MS24694S52) . . . . .	16	1	
8	206-070-589-003	.HEEL REST ASSY . . . . .	1	1	
9	206-070-589-001	.HEEL REST ASSY . . . . .	3	1	
10	NAS1329A06-75	.RIVNUT, BLIND . . . . .	4	1	
11	140-017-6SP	.WASHER (REPLACED BY 140-017-6SC) . . . . .	4		
11	140-017-6SC	.WASHER (REPLACES 140-017-6SP) . . . . .	4	1	
12	NAS388-6-12P	.SCREW (USBL ON 206-072-503-001 AND -011) . . . . . (REPLACED BY 120-079-6-12)	4		AB
12	120-079-6-12	.SCREW (USBL ON 206-072-503-001 AND -011) . . . . . (REPLACES NAS388-6-12P)	4	1	AB
13	206-070-771-049	.CARPET ASSY, CREW (USBL ON 206-072-503-001 AND . . -011)	1		AB
14	206-070-771-050	.CARPET ASSY, CREW (USBL ON 206-072-503-001 AND . . -011)	1		AB
15	NAS1329A06-75	.RIVNUT, BLIND . . . . .	8	1	
16	140-017-6SP	.WASHER (REPLACED BY 140-017-6SC) . . . . .	8		
16	140-017-6SC	.WASHER (REPLACES 140-017-6SP) . . . . .	8	1	
17	NAS388-6-16P	.SCREW (USBL ON 206-072-503-001 AND -013) . . . . .	8	0	AB
18	206-070-791-021	.MOLDING, CARPET TRIM, OUTER, LH . . . . .	1		
19	206-070-791-022	.MOLDING, CARPET TRIM, OUTER, RH . . . . .	1		
20	206-070-791-023	.MOLDING, CARPET TRIM, INNER, LH . . . . .	1		
21	206-070-791-024	.MOLDING, CARPET TRIM, INNER, RH . . . . .	1		
22	NAS388-6-12P	.SCREW (USBL ON 206-072-503-001, -011 AND -013) . . (REPLACED BY 120-079-6-12)	2		AB



(1) INDEX NUMBER	(2) PART NUMBER	(3) ITEM NAME	(4) UNIT PER ASSY	(5) A V A I L	(6) U O C
		<b>FIGURE: 25-22. Carpet installation, utility; carpet installation, cabin interior (S/N 1164 thru 3566) (Cont'd)</b>			
22	120-079-6-12	.SCREW (USBL ON 206-072-503-001, -011 AND -013) . . . (REPLACES NAS388-6-12P)	2	1	AB
23	140-017-6SP	.WASHER (REPLACED BY 140-017-6SC) . . . . .	2		
23	140-017-6SC	.WASHER (REPLACES 140-017-6SP) . . . . .	2	1	
24	206-070-790-053	.PANEL ASSY (USBL ON 206-072-503-001 AND -011) . . .	1		AB
24	206-070-790-011	.PANEL ASSY (USBL ON 206-072-503-013) . . . . .	1		B
25	DELETED	. . . . .			
26	206-070-776-021	.CARPET ASSY, PASSENGER COMPARTMENT, FWD, LH . . . . (USBL ON 206-072-503-001 AND -011)	1		AB
26	206-070-775-003	.CARPET ASSY, PASSENGER COMPARTMENT, FWD, LH . . . . (USBL ON 206-072-503-013)	1		B
27	206-070-776-022	.CARPET ASSY, PASSENGER COMPARTMENT, FWD, RH . . . . (USBL ON 206-072-503-001 AND -011)	1		AB
27	206-070-775-004	.CARPET ASSY, PASSENGER COMPARTMENT, FWD, RH . . . . (USBL ON 206-072-503-013)	1		B
28	206-070-777-065	.CARPET ASSY, PASSENGER COMPARTMENT, BHD (USBL . . . . ON 206-072-503-011)	1		B
	206-070-725-009	.SCUFF PLATE INSTL, LH . . . . .	1	0	
	206-070-725-010	.SCUFF PLATE INSTL, RH . . . . .	1	0	
29	AN525-10R8	.SCREW (REPLACES BY 120-220-3P8) . . . . .	4	1	
29	120-220-3P8	.SCREW (REPLACES AN525-10R8) . . . . .	4		
30	DELETED	. . . . .			
31	206-070-725-003	.SCUFF PLATE . . . . .	1	1	
32	206-070-725-004	.SCUFF PLATE . . . . .	1	1	
33	206-070-774-043	.CARPET ASSY, PASSENGER COMPARTMENT, FLOOR (USBL . . ON 206-072-503-001 AND -011)	1		AB
33	206-070-774-011	.CARPET ASSY, PASSENGER COMPARTMENT, FLOOR (USBL . . ON 206-072-503-013)	1		B
	206-072-380-001	.CARPET SET, UTILITY (USBL ON 206-072-385-001) . . .	1		
34	206-072-387-001	.CARPET ASSY, COPILOT FLOOR, LH . . . . .	1		
35	206-072-388-001	.CARPET ASSY, PILOT FLOOR, RH . . . . .	1		
36	206-072-390-001	.CARPET, CENTER POST BASE . . . . .	1		
37	206-072-391-001	.CARPET ASSY, CREW SEAT BACK BHD, LH . . . . .	1		
38	206-072-392-001	.CARPET ASSY, CREW SEAT BACK BHD, RH . . . . .	1		
39	206-072-389-001	.CARPET ASSY, PASSENGER FLOOR . . . . .	1		
		USABLE ON CODES			
		CODE    MODEL                    SERIAL NUMBER			
		A    206B                    1164-1251			
		B    206B                    1414-2211			
		1) UNLESS A USABLE ON PART NUMBER IS LISTED IN THE ITEM NAME COLUMN; NO CODE INDICATES THE PART APPLIES TO ALL SERIAL NUMBERS.			
		2) IF THE SERIAL NUMBER IS BLANK THE PART APPLIES TO ALL SERIAL NUMBERS FOR THAT MODEL.			



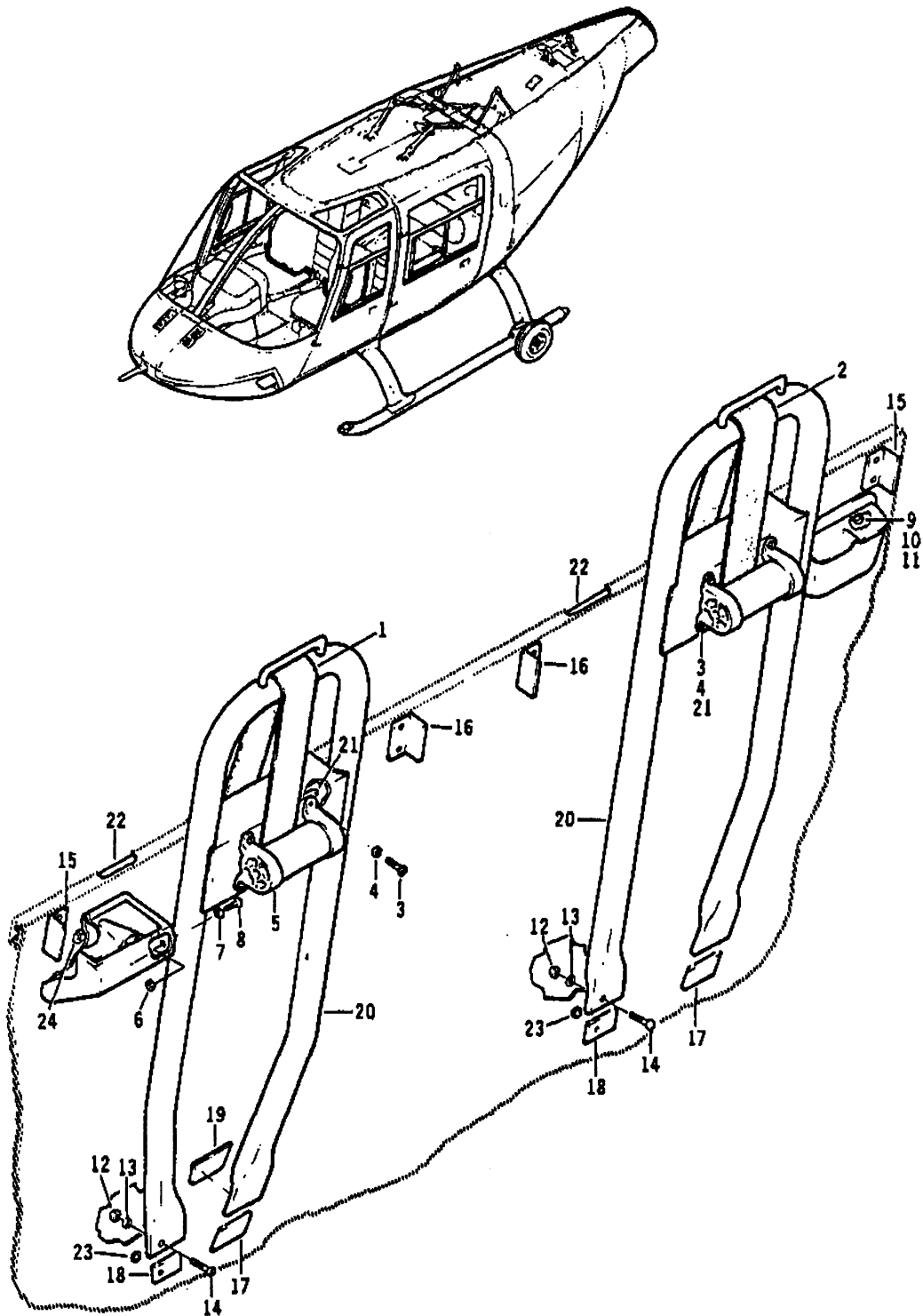
206A/B/B3-25-1023  
C0000

Figure 25-23. Seat belt installation, crew and passenger (S/N 4 thru 3121)

(1) INDEX NUMBER	(2) PART NUMBER	(3) ITEM NAME	(4) UNIT PER ASSY	(5) A V A I L	(6) U O C
		<b>FIGURE: 25-23. Seat belt installation, crew and passenger (S/N 4 thru 3121)</b>			
	206-070-724-003	SEAT BELT INSTL, CREW AND PASSENGER (SEE FIG. 9, . . . 10 FOR NHA)	REF		
	206-070-724-005	SEAT BELT INSTL, CREW AND PASSENGER (SEE FIG. 10 . . . FOR NHA)	REF		
	206-070-724-007	SEAT BELT INSTL, CREW AND PASSENGER (SEE FIG. 9, . . . 10 FOR NHA)	REF		
	206-070-724-009	SEAT BELT INSTL, CREW AND PASSENGER (SEE FIG. 10 . . . FOR NHA)	REF		
	206-070-724-013	SEAT BELT INSTL, CREW AND PASSENGER (SEE FIG. 9, . . . 10 FOR NHA)	REF		
1	22K1-048	.NUT (REPLACED BY 90-003-4) . . . . .	4		
1	90-003-4	.NUT (REPLACES 22K1-048) . . . . .	4		
2	AN960C416L	.WASHER . . . . .	8		
3	AN174-5A	.BOLT . . . . .	4		
4	FDC-2700-150	.SEAT BELT, CREW (USBL ON 206-070-724-003) . . . . .	2		A
4	FDC-2700-150-3	.SEAT BELT, CREW (USBL ON 206-070-724-005) . . . . .	2		A
4	FDC-2700-150-2	.SEAT BELT, CREW (USBL ON 206-070-724-007) . . . . .	2		A
4	FDC-2700-150-4	.SEAT BELT, CREW (USBL ON 206-070-724-009) . . . . .	2		A
4	FDC-2700-150-5	.SEAT BELT, CREW (USBL ON 206-070-724-013) . . . . .	2		B
5	NAS679A4	.NUT (PRE TB 206-93-144) (REPLACED BY MS21042L4) . . . . .	4		
5	MS21042L4	.NUT (PRE TB 206-93-144) (REPLACES NAS679A4) . . . . .	4		
5	90-003-4	.NUT (POST TB 206-93-144) . . . . .	4		
6	AN960C416L	.WASHER (PRE TB 206-93-144) . . . . .	8		
6	AN960C416	.WASHER (POST TB 206-93-144) . . . . .	8		
7	AN174-7A	.BOLT (PRE TB 206-93-144) . . . . .	2		
7	NAS6204-9	.BOLT (POST TB 206-93-144) . . . . .	2		
8	AN174-11A	.BOLT (PRE TB 206-93-144) . . . . .	2		
8	NAS6204-7	.BOLT (POST TB 206-93-144) . . . . .	2		
9	FDC-2700-150	.SEAT BELT, PASSENGER (PRE TB 206-93-144) (USBL . . . ON 206-070-724-003)	3		A
9	FDC-2700-150-3	.SEAT BELT, PASSENGER (PRE TB 206-93-144) (USBL . . . ON 206-070-724-005)	3		A
9	FDC-2700-150-2	.SEAT BELT, PASSENGER (PRE TB 206-93-144) (USBL . . . ON 206-070-724-007)	3		A
9	FDC-2700-150-4	.SEAT BELT, PASSENGER (PRE TB 206-93-144) (USBL . . . ON 206-070-724-009)	3		A
9	FDC-2700-150-5	.SEAT BELT, PASSENGER (PRE TB 206-93-144) (USBL . . . ON 206-070-724-013)	3		B
10	206-072-841-111	.RESTRAINT ASSY, PASSENGER (POST TB 206-93-144) . . .	2		
11	206-072-841-115	.RESTRAINT ASSY, PASSENGER (POST TB 206-93-144) . . .	1		



(1) INDEX NUMBER	(2) PART NUMBER	(3) ITEM NAME	(4) UNIT PER ASSY	(5) A V A I L	(6) U O C									
		<p><b>FIGURE: 25-23. Seat belt installation, crew and passenger (S/N 4 thru 3121) (Cont'd)</b></p> <p style="text-align: center;">USABLE ON CODES</p> <table border="0" style="margin-left: auto; margin-right: auto;"> <thead> <tr> <th style="text-align: left;">CODE</th> <th style="text-align: left;">MODEL</th> <th style="text-align: left;">SERIAL NUMBER</th> </tr> </thead> <tbody> <tr> <td>A</td> <td>206A/B</td> <td>4-1163</td> </tr> <tr> <td>B</td> <td>206B/BIII</td> <td>1164-3121</td> </tr> </tbody> </table> <p>1) UNLESS A USABLE ON PART NUMBER IS LISTED IN THE ITEM NAME COLUMN; NO CODE INDICATES THE PART APPLIES TO ALL SERIAL NUMBERS .</p> <p>2) IF THE SERIAL NUMBER IS BLANK THE PART APPLIES TO ALL SERIAL NUMBERS FOR THAT MODEL .</p>	CODE	MODEL	SERIAL NUMBER	A	206A/B	4-1163	B	206B/BIII	1164-3121			
CODE	MODEL	SERIAL NUMBER												
A	206A/B	4-1163												
B	206B/BIII	1164-3121												



206A/B/B3-25-1024  
C0000

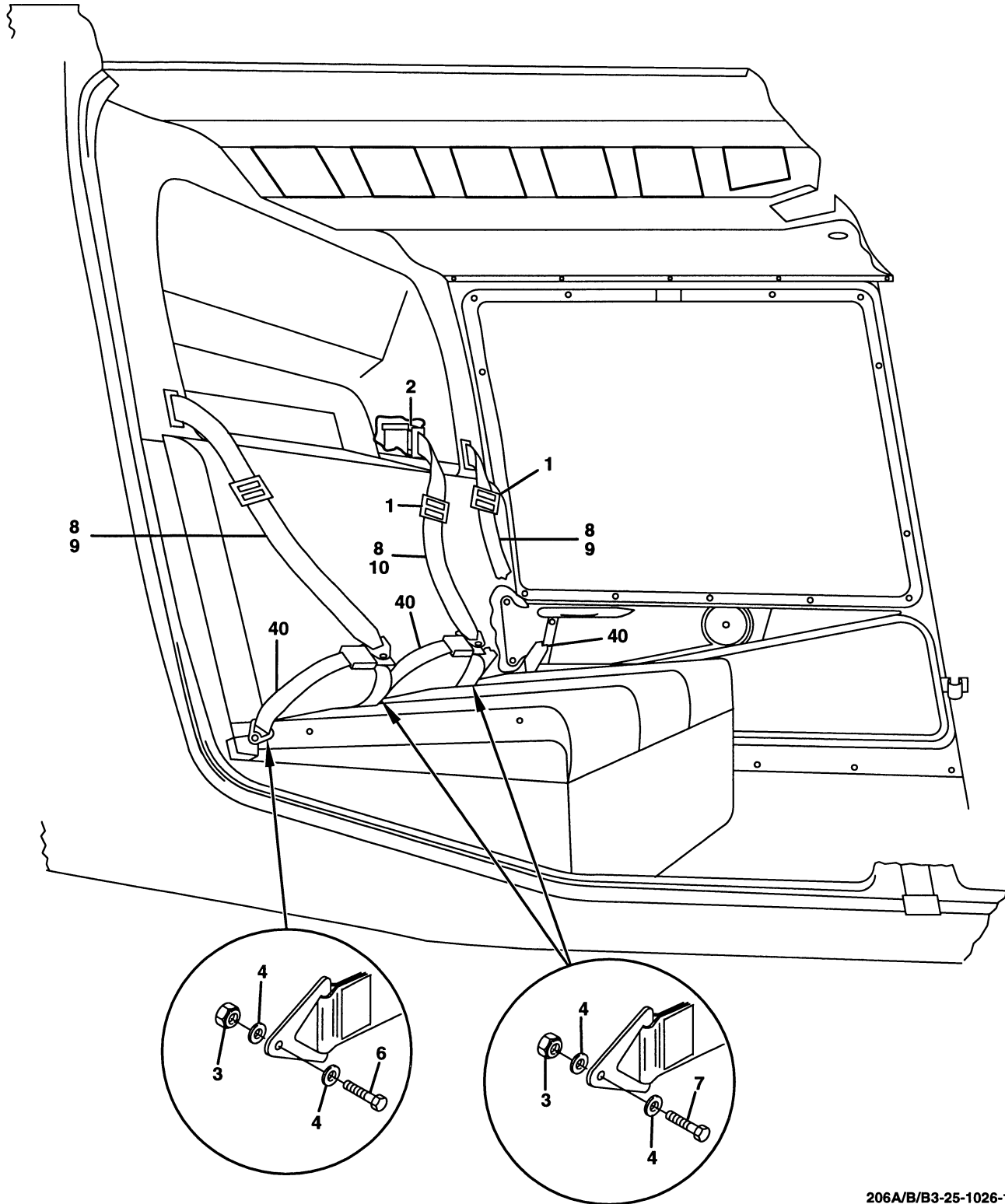
Figure 25-24. Shoulder harness and inertia reel installation (S/N 4 thru 3566)



(1) INDEX NUMBER	(2) PART NUMBER	(3) ITEM NAME	(4) UNIT PER ASSY	(5) A V A I L	(6) U O C
		<b>FIGURE: 25-24. Shoulder harness and inertia reel installation (S/N 4 thru 3566)</b>			
	206-706-119-001	SHOULDER HARNESS AND INERTIA REEL INSTALLATION . . . (NOTE 1)	1		
1	1101021-2	.LAP BELT ASSY . . . . .	1		
2	1101021-4	.LAP BELT ASSY . . . . .	1		
3	MS27039-1-08	.SCREW . . . . .	8		
4	AN960PD10L	.WASHER (REPLACED BY AN960JD10L) . . . . .	8		
4	AN960JD10L	.WASHER (REPLACES AN960PD10L) . . . . .	8		
5	0108144-1	.SAFETY HARNESS AND REEL ASSY . . . . .	2		
6	NAS679A08	.NUT (REPLACED BY MS21042L08) . . . . .	2		
6	MS21042L08	.NUT (REPLACES NAS679A08) . . . . .	2		
7	NAS391-8P	.WASHER . . . . .	2		
8	NAS387-832-7P	.SCREW . . . . .	2		
9	NAS679A3	.NUT (REPLACED BY MS21042L3) . . . . .	4		
9	MS21042L3	.NUT (REPLACES NAS679A3) . . . . .	4		
10	AN960PD10L	.WASHER (REPLACED BY AN960JD10L) . . . . .	4		
10	AN960JD10L	.WASHER (REPLACES AN960PD10L) . . . . .	4		
11	MS27039-1-05	.SCREW . . . . .	4		
12	NAS679A06	.NUT (REPLACED BY MS21042L06) . . . . .	2		
12	MS21042L06	.NUT (REPLACES NAS679A06) . . . . .	2		
13	NAS391-6P	.WASHER . . . . .	2		
14	NAS387-632-5P	.SCREW . . . . .	2		
	206-031-214-001	.SUPPORT INSTL, CREW INERTIA REELS, LH . . . . .	1		
	206-031-214-003	.SUPPORT INSTL, CREW INERTIA REELS, RH . . . . .	1		
15	206-031-214-021	..CLIP, LH . . . . .	1		
15	206-031-214-022	..CLIP, RH . . . . .	1		
16	206-031-214-023	..CLIP, LH . . . . .	1		
16	206-031-214-024	..CLIP, RH . . . . .	1		
17	206-031-214-025	..FILLER . . . . .	1		
18	206-031-214-029	..FILLER, LH . . . . .	1		
18	206-031-214-027	..FILLER, RH . . . . .	1		
19	206-031-214-019	..FILLER (USBL ON 206-031-214-003) . . . . .	1		
20	206-031-214-007	..SUPPORT ASSY, LH . . . . .	1		
20	206-031-214-005	..SUPPORT ASSY, RH . . . . .	1		
21	NAS697A3	..NUTPLATE (REPLACED BY MS21069L3) . . . . .	4		
21	MS21069L3	..NUTPLATE (REPLACES NAS697A3) . . . . .	4		
22	206-031-214-031	..STIFFENER, LH . . . . .	1		
22	206-031-214-033	..STIFFENER, RH . . . . .	1		
23	NAS1329A06-75	.RIVNUT, BLIND . . . . .	2		
24	AN960PD10	.WASHER (REPLACED BY AN960JD10) . . . . .	4		
24	AN960JD10	.WASHER (REPLACES AN960PD10) . . . . .	4		
		NOTE 1: WHEN 206-706-119-001 AND 206-706-314-001 ARE INSTALLED ON THE SAME SHIP 206-706-128-001 MUST ALSO BE INSTALLED.			

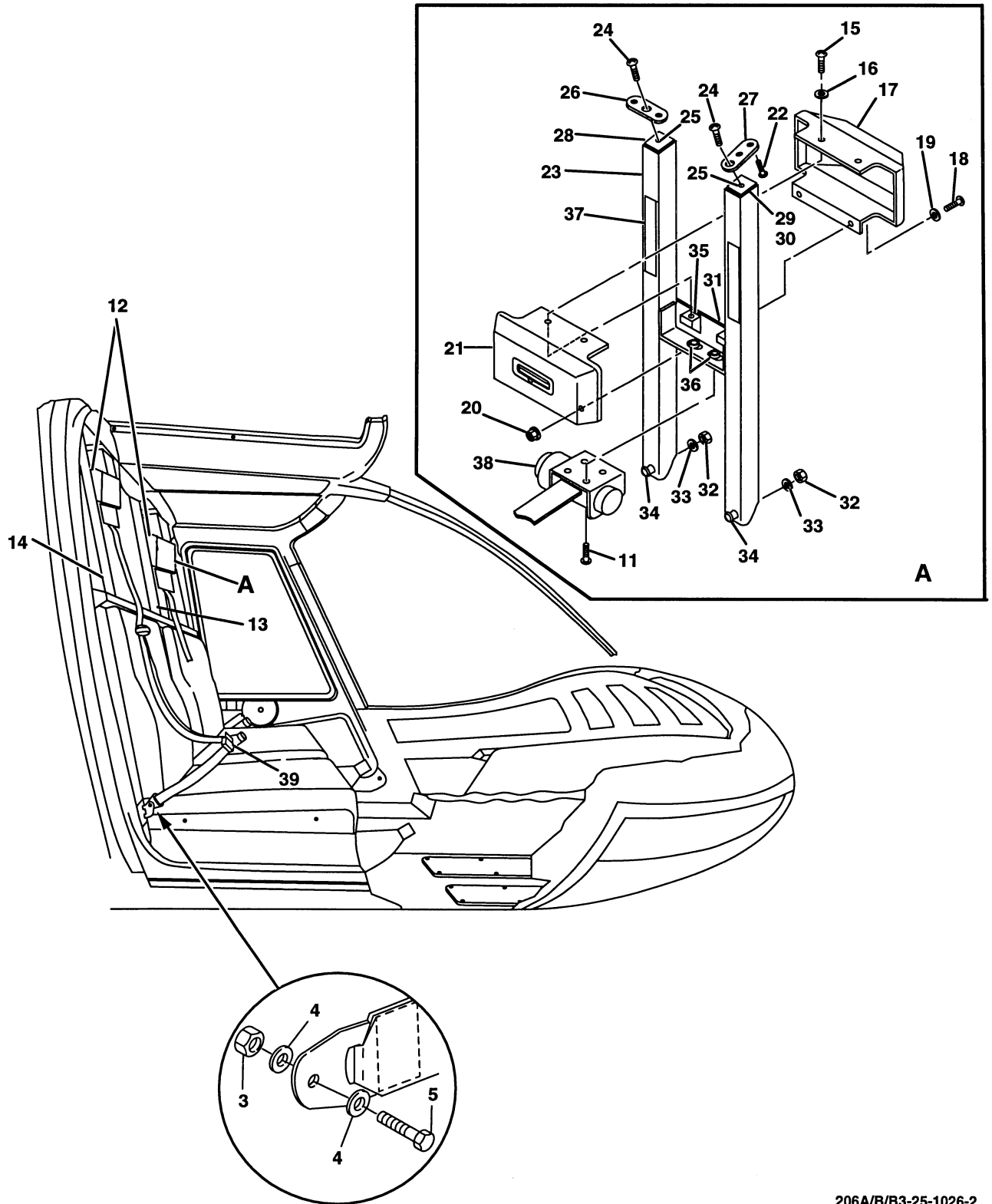


(1) INDEX NUMBER	(2) PART NUMBER	(3) ITEM NAME	(4) UNIT PER ASSY	(5) A V A I L	(6) U O C
		<b>FIGURE: 25-25. Support adapter, inertia reel, equipment kit</b>			
	206-706-128-001	SUPPORT ADAPTER, INERTIA REEL, EQUIPMENT KIT . . . . (NOTE 1)	1		
1	206-706-128-025	.SHOCK PAD . . . . .	1		
2	206-706-128-023	.DOUBLER . . . . .	1		
3	MS20392-2C77	.PIN (REPLACED BY MS20392-2S77) . . . . .	1		
3	MS20392-2S77	.PIN (REPLACES MS20392-2C77) . . . . .	1		
4	AN960PD10L	.WASHER (REPLACED BY AN960JD10L) . . . . .	4		
4	AN960JD10L	.WASHER (REPLACES AN960PD10L) . . . . .	4		
5	MS20392-2S71	.PIN (REPLACED BY MS20392-2S71) . . . . .	1		
5	MS20392-2C71	.PIN (REPLACES MS20392-2S71) . . . . .	1		
6	AN960PD10L	.WASHER (REPLACED BY AN960JD10L) . . . . .	4		
6	AN960JD10L	.WASHER (REPLACES AN960PD10L) . . . . .	4		
7	MS21042L3	.NUT . . . . .	2		
8	AN960PD10L	.WASHER (REPLACED BY AN960JD10L) . . . . .	4		
8	AN960JD10L	.WASHER (REPLACES AN960PD10L) . . . . .	4		
9	MS27039-1-19	.SCREW . . . . .	2		
10	MS21042L3	.NUT . . . . .	2		
11	AN960PD10L	.WASHER (REPLACED BY AN960JD10L) . . . . .	4		
11	AN960JD10L	.WASHER (REPLACES AN960PD10L) . . . . .	4		
12	MS27039-1-11	.SCREW . . . . .	2		
13	206-706-128-033	.HINGE . . . . .	2		
14	206-706-128-035	.HINGE . . . . .	1		
15	206-706-128-037	.HINGE . . . . .	1		
16	206-031-247-001	.HINGE . . . . .	1		
17	206-031-247-003	.HINGE . . . . .	1		
18	HL34-8-3-12	.PIN, HI-LOC . . . . .	1		
19	30-017-8	.COLLAR . . . . .	1		
20	206-706-128-021	.HOOK . . . . .	1		
21	206-706-128-015	.SPACER . . . . .	1		
22	206-706-128-019	.SHIM . . . . .	1		
23	MS20253P2-200	.PIN . . . . .	1		
24	206-706-128-027	.HINGE . . . . .	1		
25	206-706-128-029	.HINGE . . . . .	1		
26	206-706-128-013	.SUPPORT . . . . .	1		
27	206-706-128-011	.SHIM . . . . .	1		
28	206-706-128-039	.SPACER . . . . .	1		
29	206-706-128-017	.SUPPORT . . . . .	1		
30	206-031-256-001	.FILLER BLOCK . . . . .	2		
31	206-031-257-001	.SPACER . . . . .	1		
32	206-031-258-001	.SPACER . . . . .	1		
33	206-706-128-041	.SUPPORT . . . . .	1		
34	206-706-128-043	.DOUBLER . . . . .	1		
		NOTE 1: 206-706-128-001 MUST BE INSTALLED WHEN 206-706-119 AND 206-706-314 ARE INSTALLED ON THE SAME SHIP.			



206A/B/B3-25-1026-1  
C0000

Figure 25-26. Restraint installation, crew and passenger; headrest installation, crew (S/N 3122 thru 3566) (Sheet 1 of 2)

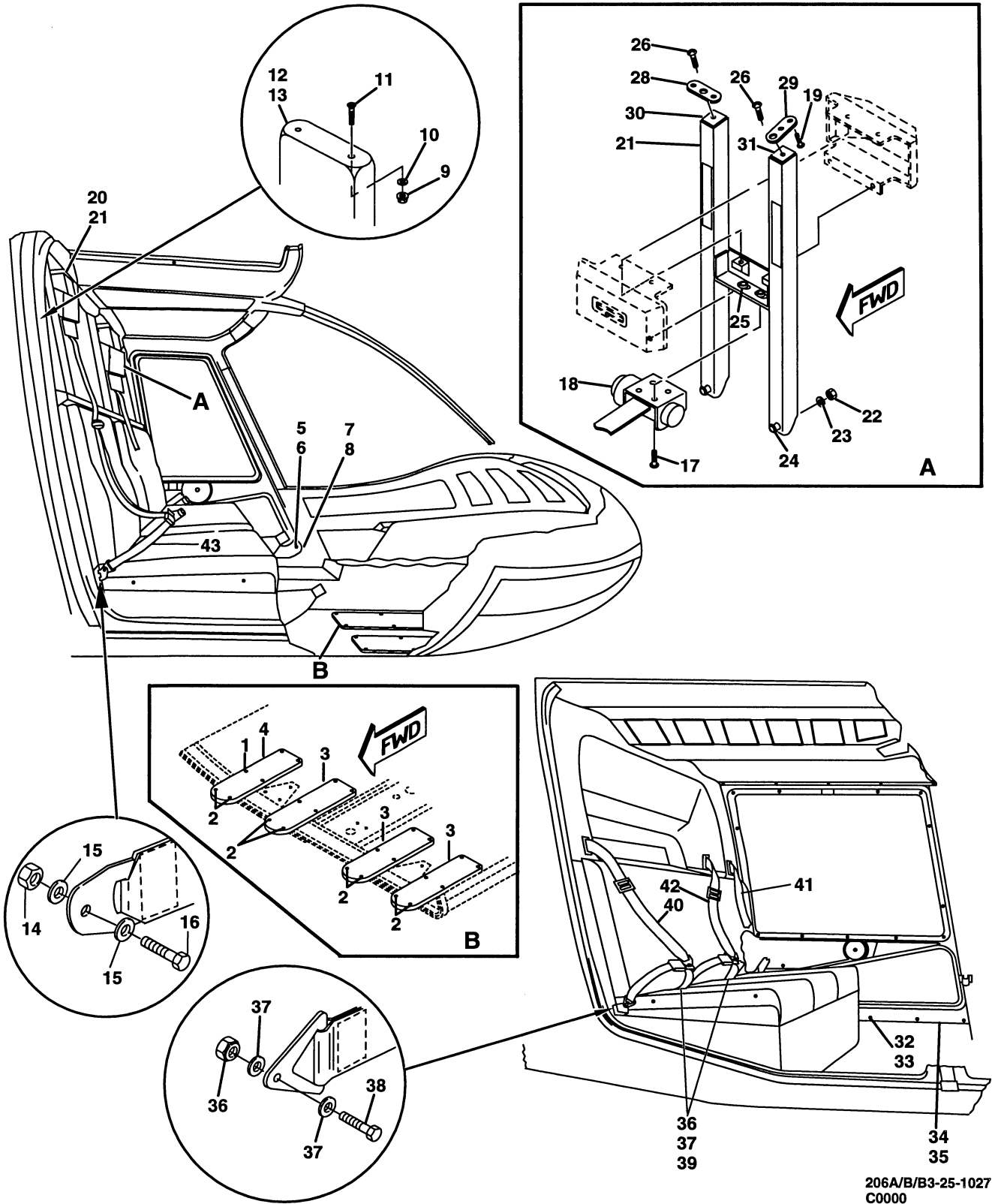


206A/B/B3-25-1026-2  
C0000

Figure 25-26. Restraint installation, crew and passenger; headrest installation, crew (S/N 3122 thru 3566) (Sheet 2)

(1) INDEX NUMBER	(2) PART NUMBER	(3) ITEM NAME	(4) UNIT PER ASSY	(5) A V A I L	(6) C O O
		<b>FIGURE: 25-26. Restraint installation, crew and passenger; headrest installation, crew (S/N 3122 thru 3566)</b>			
	206-072-845-101	RESTRAINT INSTL, CREW AND PASSENGER . . . . .	1		
1	D7LZ-6560286-A	.CLIP . . . . .	3		
2	MS24694-S52	.SCREW . . . . .	12		
3	90-003-4	.NUT . . . . .	8		
4	AN960C416	.WASHER . . . . .	16		
5	AN174-6A	.BOLT . . . . .	4		
6	AN174-6A	.BOLT (PRE TB 206-93-144) . . . . .	2		
6	NAS6204-7	.BOLT (POST TB 206-93-144) . . . . .	2		
7	AN174-7A	.BOLT (PRE TB 206-93-144) . . . . .	2		
7	NAS6204-9	.BOLT (POST TB 206-93-144) . . . . .	2		
8	206-072-841-101	.RESTRAINT ASSY, PASSENGER SEAT (PRE TB . . . . . 206-82-67) (PRE TB 206-93-144)	3		
9	206-072-841-111	.RESTRAINT ASSY, PASSENGER SEAT (POST TB . . . . . 206-93-144)	2		
10	206-072-841-115	.RESTRAINT ASSY, PASSENGER SEAT (POST TB . . . . . 206-93-144)	1		
	206-072-870-101	.RESTRAINT SYS AND HEADREST INSTL, CREW . . . . .	1		
11	MS24694S52	..SCREW (REPLACED BY MS24694-S52) . . . . .	8		
11	MS24694-S52	..SCREW (REPLACES MS24694S52) . . . . .	8		
12	206-072-381-101	..CUSHION ASSY, HEADREST . . . . .	2		
13	206-072-870-103	..RESTRAINT SYS ASSY, COPILOT . . . . .	1		
14	206-072-870-105	..RESTRAINT SYS ASSY, PILOT . . . . .	1		
15	120-079-8-5	...SCREW . . . . .	2		
16	140-017-8SC	...WASHER . . . . .	2		
17	206-072-864-107	...COVER ASSY, INERTIA REEL, CREW . . . . .	1		
18	120-079-8-7	...SCREW . . . . .	2		
19	140-017-8SC	...WASHER . . . . .	2		
20	SL210-08-1	...CLIPNUT . . . . .	2		
21	222-020-709-105	...GUIDE . . . . .	1		
22	MS24694S52	...SCREW (REPLACED BY MS24694-S52) . . . . .	4		
22	MS24694-S52	...SCREW (REPLACES MS24694S52) . . . . .	4		
23	206-072-871-101	...SUPPORT ASSY, INERTIA REEL, COPILOT (USBL ON . . . . . 206-072-870-103)	1		
23	206-072-871-103	...SUPPORT ASSY, INERTIA REEL, PILOT (USBL ON . . . . . 206-072-870-105)	1		
24	MS24694-S50	....SCREW . . . . .	2		
25	MS21209F1-20L	....INSERT . . . . .	2		
26	206-072-860-103	....PLATE . . . . .	1		
27	206-072-860-101	....PLATE . . . . .	1		
28	206-072-862-103	....PLUG . . . . .	1		
29	206-072-862-105	....PLUG (USBL ON 206-072-871-101) . . . . .	1		
30	206-072-862-106	....PLUG (USBL ON 206-072-871-103) . . . . .	1		
31	206-072-871-119	....ANGLE . . . . .	1		
32	MS21042L3	....NUT . . . . .	2		
33	AN960PD10L	....WASHER (REPLACED BY AN960JD10L) . . . . .	2		
33	AN960JD10L	....WASHER (REPLACES AN960PD10L) . . . . .	2		
34	206-072-861-103	....STUD . . . . .	2		
35	NAS1033A08	....NUTPLATE . . . . .	2		

(1) INDEX NUMBER	(2) PART NUMBER	(3) ITEM NAME	(4) UNIT PER ASSY	(5) A V A I L	(6) U O C
		<b>FIGURE: 25-26. Restraint installation, crew and passenger; headrest installation, crew (S/N 3122 thru 3566) (Cont'd)</b>			
36	MS21075L3	....NUTPLATE .....	4		
37	50-029-4A04T	....PILE (MAKE FROM 50-029-4AT) .....	2		
37	50-029-4AT	....PILE .....	2		
38	222-320-823-109	...RESTRAINT (REPLACED BY 222-320-823-113) .....	1		
38	222-320-823-113	...RESTRAINT (REPLACES 222-320-823-109) .....	1		
39	502898	PLUG (POST ASB 206-91-62) .....	4		
	206-703-003-107	SERVICE KIT, RESTRAINT SYSTEM, CREW AND PASSENGER (POST TB 206-82-67)	3		
40	501719-411	.LAP BELT ASSY .....	1		



206A/B/B3-25-1027  
C0000

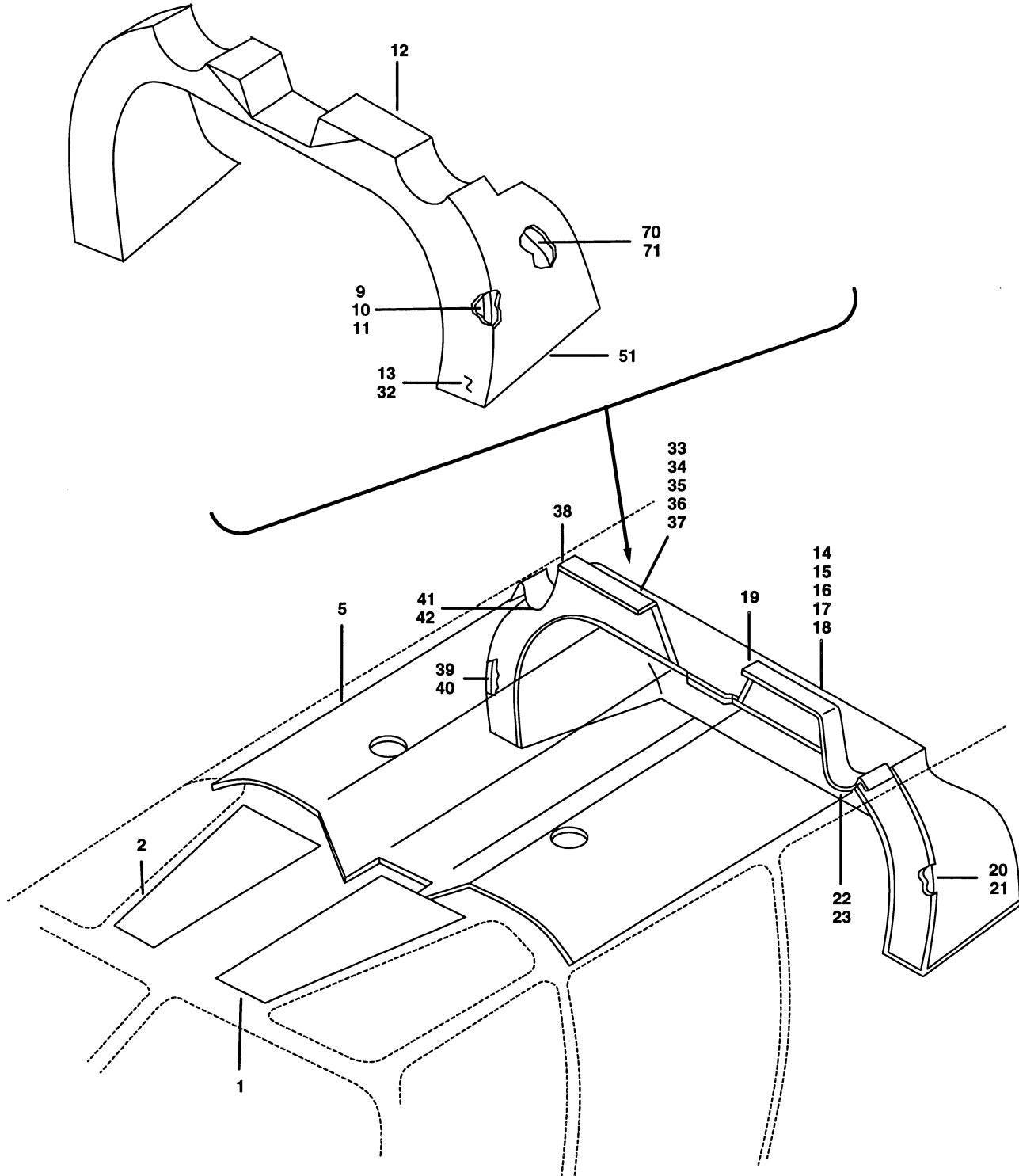
Figure 25-27. Restraint installation, crew and passenger (S/N 3567 thru SUB)



(1) INDEX NUMBER	(2) PART NUMBER	(3) ITEM NAME	(4) UNIT PER ASSY	(5) A V A I L	(6) U O C
		<b>FIGURE: 25-27. Restraint installation, crew and passenger (S/N 3567 thru SUB)</b>			
	206-072-244-101	RESTRAINT INSTL, CREW AND PASSENGER (SEE FIG. . . . . 2, 3, 5 FOR BALANCE OF BREAKDOWN)	1		
	206-072-244-103	RESTRAINT INSTL, CREW AND PASSENGER (SEE FIG. . . . . 2, 3, 5 FOR BALANCE OF BREAKDOWN)	1		
	206-072-244-105	RESTRAINT INSTL, CREW AND PASSENGER (SEE FIG. . . . . 2, 3, 5 FOR BALANCE OF BREAKDOWN)	1		
1	MS24694-S52	.SCREW . . . . .	16		
2	MS24694-S57	.SCREW . . . . .	8		
3	206-070-589-001	.HEEL REST ASSY . . . . .	3		
4	206-070-589-003	.HEEL REST ASSY . . . . .	1		
	206-070-725-101	.SCUFF PLATE INSTL, LH . . . . .	1		
	206-070-725-102	.SCUFF PLATE INSTL, RH . . . . .	1		
5	AN520-10R8	..SCREW (REPLACED BY MS35207-263) . . . . .	4		
5	MS35207-263	..SCREW (REPLACES AN520-10R8) . . . . .	4		
6	AN960-C10L	..WASHER (REPLACED BY AN960C10L) . . . . .	4		
6	AN960C10L	..WASHER (REPLACES AN960-C10L) . . . . .	4		
7	206-070-725-103	..SCUFF PLATE, LH . . . . .	1		
8	206-070-725-104	..SCUFF PLATE, RH . . . . .	1		
9	SL210-06-2	.CLIPNUT (REPLACED BY NAS1329A06-75) . . . . .	4		
9	NAS1329A06-75	.RIVNUT, BLIND (REPLACES SL210-06-2) . . . . .	4		
10	140-017-6BC	.WASHER . . . . .	4		
11	120-079-6-8	.SCREW . . . . .	4		
12	206-072-889-101	.COVER . . . . .	2		
13	206-072-891-101	.CUSHION ASSY . . . . .	2		
14	90-003-4	.NUT . . . . .	4		
15	AN960C416	.WASHER . . . . .	8		
16	NAS6204-6	.BOLT . . . . .	4		
17	MS24694S51	.SCREW (REPLACED BY MS24694-S51) . . . . .	8		
17	MS24694-S51	.SCREW (REPLACES MS24694S51) . . . . .	8		
18	222-320-823-111	.RESTRAINT SYSTEM ASSY, CREW SEAT (USBL ON . . . . . 206-072-244-101 AND -103) (REPLACED BY 222-320-823-119)	2		B
18	222-320-823-119	.RESTRAINT SYSTEM ASSY, CREW SEAT (USBL ON . . . . . 206-072-244-101 AND -103) (REPLACES 222-320-823-111)	2		B
18	222-320-823-125	.RESTRAINT SYSTEM ASSY, CREW SEAT (USBL ON . . . . . 206-072-244-105)	2		C
19	MS24694S52	.SCREW (REPLACED BY MS24694-S52) . . . . .	8		
19	MS24694-S52	.SCREW (REPLACES MS24694S52) . . . . .	8		
20	206-072-871-107	.SUPPORT ASSY, INERTIA REEL, LH . . . . .	1		
21	206-072-871-109	.SUPPORT ASSY, INERTIA REEL, RH . . . . .	1		
22	MS21042L3	..NUT . . . . .	2		
23	AN960PD10L	..WASHER (REPLACED BY AN960JD10L) . . . . .	2		
23	AN960JD10L	..WASHER (REPLACES AN960PD10L) . . . . .	2		
24	206-072-861-103	..STUD . . . . .	2		
25	MS21075L3	..NUTPLATE . . . . .	4		
26	MS24694S50	..SCREW (REPLACED BY MS24694-S50) . . . . .	2		
26	MS24694-S50	..SCREW (REPLACES MS24694S50) . . . . .	2		
27	MS21209F1-20L	..INSERT . . . . .	2		



(1) INDEX NUMBER	(2) PART NUMBER	(3) ITEM NAME	(4) UNIT PER ASSY	(5) A V A I L	(6) U O C
<b>FIGURE: 25-27. Restraint installation, crew and passenger (S/N 3567 thru SUB) (Cont'd)</b>					
28	206-072-860-103	..PLATE . . . . .	1		
29	206-072-860-101	..PLATE . . . . .	1		
30	206-072-862-103	..PLUG . . . . .	1		
31	206-072-862-105	..PLUG (USBL ON 206-072-871-107) . . . . .	1		
31	206-072-862-106	..PLUG (USBL ON 206-072-871-109) . . . . .	1		
	206-070-725-009	.SCUFF PLATE INSTL, LH . . . . .	1		
	206-070-725-010	.SCUFF PLATE INSTL, RH . . . . .	1		
32	AN520-10R8	..SCREW (REPLACED BY MS35207-263) . . . . .	4		
32	MS35207-263	..SCREW (REPLACES AN520-10R8) . . . . .	4		
33	AN960-C10L	..WASHER (REPLACED BY AN960C10L) . . . . .	4		
33	AN960C10L	..WASHER (REPLACES AN960-C10L) . . . . .	4		
34	206-070-725-003	..SCUFF PLATE, LH . . . . .	1		
35	206-070-725-004	..SCUFF PLATE, RH . . . . .	1		
36	90-003-4	.NUT . . . . .	4		
37	AN960C416	.WASHER . . . . .	8		
38	NAS6204-7	.BOLT . . . . .	2		
39	NAS6204-9	.BOLT . . . . .	2		
40	206-072-841-101	.RESTRAINT ASSY, PASSENGER SEATS (USBL ON 206-072-244-101) (REPLACED BY 206-072-841-105)	3		A
40	206-072-841-105	.RESTRAINT ASSY, PASSENGER SEATS (USBL ON 206-072-244-101 AND -103) (REPLACES 206-072-841-101) (REPLACED BY 206-072-841-111 AND -115)	3		B
41	206-072-841-111	.RESTRAINT ASSY, PASSENGER SEATS (REPLACES 206-072-841-101 AND -105)	2		
42	206-072-841-115	.RESTRAINT ASSY, PASSENGER SEATS (REPLACES 206-072-841-101 AND -105)	1		
43	502898	PLUG (POST TB 206-91-62) . . . . .	4		
USABLE ON CODES					
	CODE	MODEL	SERIAL NUMBER		
	A	206BIII	3567-3650		
	B	206BIII	3567-4199		
	C	206BIII	4200-SUB		
<p>1) UNLESS A USABLE ON PART NUMBER IS LISTED IN THE ITEM NAME COLUMN; NO CODE INDICATES THE PART APPLIES TO ALL SERIAL NUMBERS.</p> <p>2) IF THE SERIAL NUMBER IS BLANK THE PART APPLIES TO ALL SERIAL NUMBERS FOR THAT MODEL.</p>					



206A/B/B3-25-1028-1  
C0000

Figure 25-28. Soundproofing blanket kit (Sheet 1 of 2)

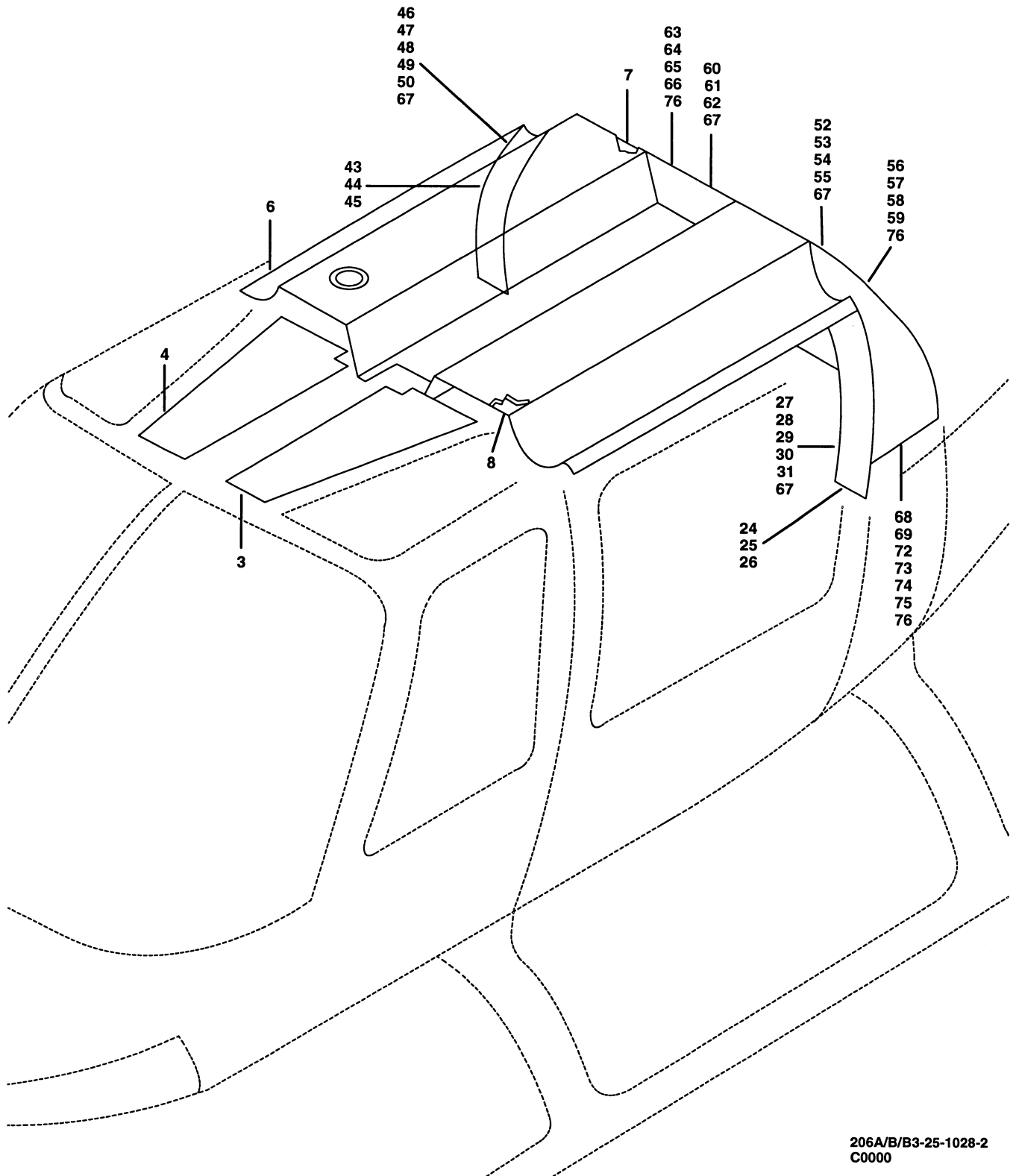


Figure 25-28. Soundproofing blanket kit (Sheet 2)

206A/B/B3-25-1028-2  
C0000

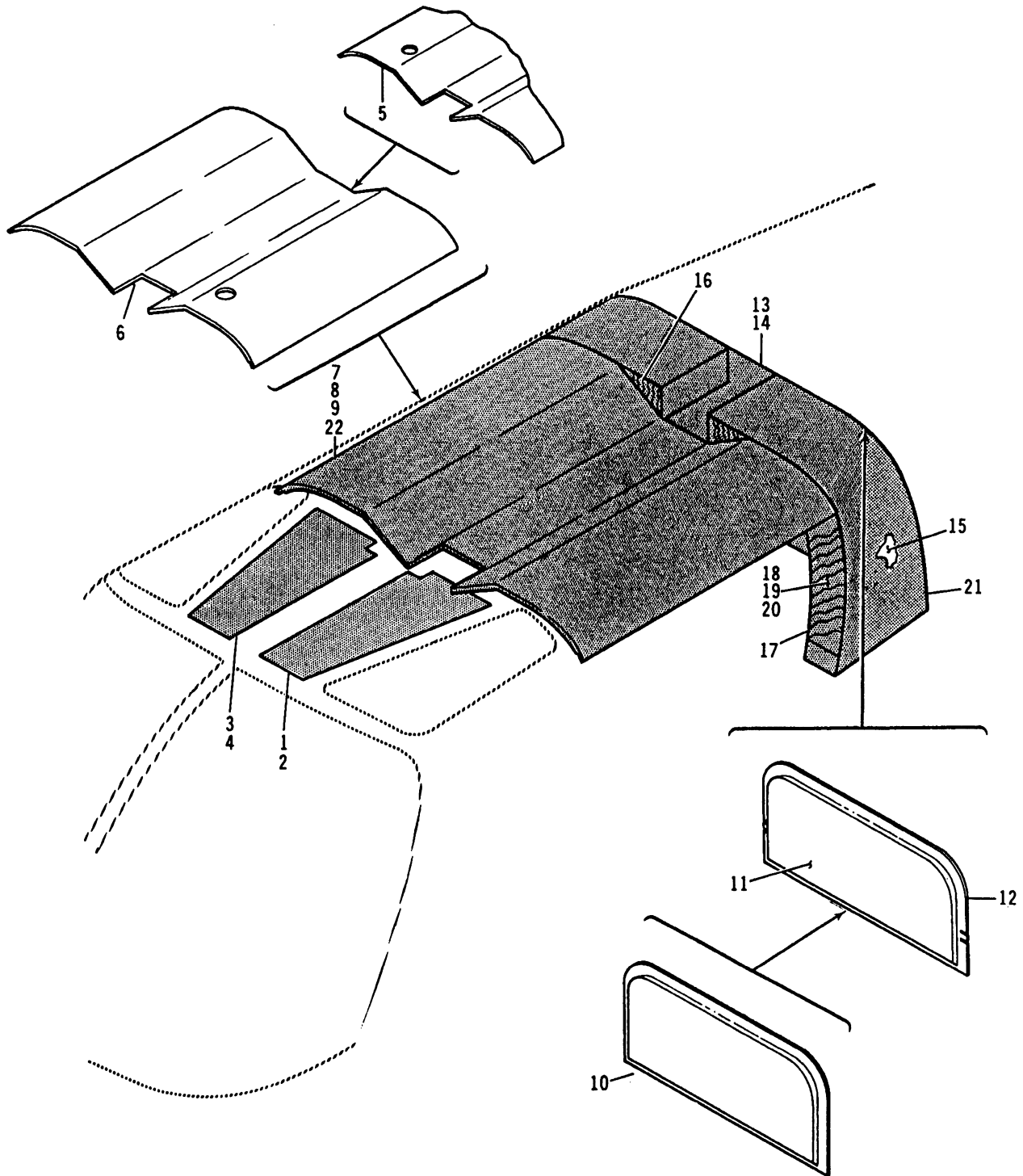
(1) INDEX NUMBER	(2) PART NUMBER	(3) ITEM NAME	(4) UNIT PER ASSY	(5) A V A I L	(6) U O C
		<b>FIGURE: 25-28. Soundproofing blanket kit</b>			
	206-706-039-003	SOUNDPROOFING BLANKET KIT . . . . .	1		A
	206-706-039-101	SOUNDPROOFING BLANKET KIT . . . . .	1		B
	206-706-039-103	SOUNDPROOFING BLANKET KIT . . . . .	1		C
	206-706-039-105	SOUNDPROOFING BLANKET KIT . . . . .	1		C
1	206-070-023-001	.BLANKET ASSY, SOUNDPROOF, FWD OVERHEAD, LH . . . . . (USBL ON 206-706-039-003) (REPLACED BY 206-070-023-101)	1		
1	206-070-023-101	.BLANKET ASSY, SOUNDPROOF, FWD OVERHEAD, LH . . . . . (USBL ON 206-706-039-003 AND -101) (REPLACES 206-070-023-001)	1		
2	206-070-023-001	.BLANKET ASSY, SOUNDPROOF, FWD OVERHEAD, RH . . . . . (USBL ON 206-706-039-003) (REPLACED BY 206-070-023-101)	1		
2	206-070-023-101	.BLANKET ASSY, SOUNDPROOF, FWD OVERHEAD, RH . . . . . (USBL ON 206-706-039-003 AND -101) (REPLACES 206-070-023-001)	1		
3	206-072-262-104	.BLANKET ASSY, CREW ROOF, LH (USBL ON . . . . . 206-706-039-103)	1		
4	206-072-262-103	.BLANKET ASSY, CREW ROOF, RH (USBL ON . . . . . 206-706-039-103)	1		
5	206-070-021-001	.BLANKET ASSY, SOUNDPROOF, UPPER BEAM, CABIN . . . . . ROOF (USBL ON 206-706-039-003) (REPLACED BY 206-070-021-101)	1		
5	206-070-021-101	.BLANKET ASSY, SOUNDPROOF, UPPER BEAM, CABIN . . . . . ROOF (USBL ON 206-706-039-003 AND -101) (REPLACES 206-070-021-001)	1		
6	206-072-263-103	.BLANKET ASSY, PASSENGER ROOF (USBL ON . . . . . 206-706-039-103)	1		
7	50-029-11AT	..HOOK . . . . .	1		
8	50-029-12AT	..PILE . . . . .	1		
9	NAS1329A3K80	.RIVNUT, BLIND (NOTE 1) (USBL ON 206-706-039-003 . . AND -101)	2		
10	140-017-10SC	.WASHER (NOTE 1) (USBL ON 206-706-039-003 AND . . . . . -101)	2		
11	120-079-10-16	.SCREW (NOTE 1) (USBL ON 206-706-039-003 AND . . . . . -101)	2		
12	206-070-019-001	.BLANKET ASSY, SOUNDPROOF, AFT CABIN CLOSURE . . . . . (NOTE 1) (USBL ON 206-706-039-003)	1		
13	206-070-019-003	.BLANKET ASSY, SOUNDPROOF, AFT CABIN CLOSURE, LH . . . . . (NOTE 1) (USBL ON 206-706-039-003) (REPLACED BY 206-072-568-003 AND -115)	1		
14	206-072-568-003	.BLANKET ASSY, SOUNDPROOFING, AFT CABIN CLOSURE, . . . . . LH (NOTE 1) (REPLACES 206-070-019-003) (REPLACED BY 206-072-568-115)	1		
14	206-072-568-103	.BLANKET ASSY, SOUNDPROOFING, AFT CABIN CLOSURE, . . . . . LH (USBL ON 206-706-039-101)	1		
15	50-029-7C	..HOOK . . . . .	1		
16	50-029-8C	..PILE . . . . .	1		
17	50-029-11C	..HOOK . . . . .	1		
18	50-029-12C	..PILE . . . . .	1		

(1) INDEX NUMBER	(2) PART NUMBER	(3) ITEM NAME	(4) UNIT PER ASSY	(5) A V A I L	(6) U O C
		<b>FIGURE: 25-28. Soundproofing blanket kit (Cont'd)</b>			
19	206-072-568-115	.BLANKET ASSY, SOUNDPROOFING, AFT CABIN CLOSURE, LH (NOTE 1) (REPLACES 206-070-019-003 AND 206-072-568-003)	1		
20	50-029-7C	..HOOK	1		
21	50-029-8C	..PILE	1		
22	50-029-11C	..HOOK	1		
23	50-029-12C	..PILE	1		
24	206-072-267-101	.BLANKET ASSY, HATBOX BULKHEAD, LH (USBL ON 206-706-039-103)	1		
25	50-029-7AT	..HOOK	1		
26	50-029-8AT	..PILE	1		
27	206-072-634-101	.BLANKET ASSY, SOUNDPROOFING, AFT CABIN CLOSURE, LH (USBL ON 206-706-039-105)	1		
28	50-029-11C	..HOOK	1		
29	50-029-12C	..PILE	1		
30	50-029-7C	..HOOK	1		
31	50-029-8C	..PILE	1		
32	206-070-019-004	.BLANKET ASSY, SOUNDPROOF, AFT CABIN CLOSURE, RH (NOTE 1) (USBL ON 206-706-039-003) (REPLACED BY 206-072-568-004 AND -116)	1		
33	206-072-568-004	.BLANKET ASSY, SOUNDPROOFING, AFT CABIN CLOSURE, RH (NOTE 1) (REPLACES 206-070-019-004) (REPLACED BY 206-072-568-116)	1		
33	206-072-568-104	.BLANKET ASSY, SOUNDPROOFING, AFT CABIN CLOSURE, RH (USBL ON 206-706-039-101)	1		
34	50-029-7C	..HOOK	1		
35	50-029-8C	..PILE	1		
36	50-029-11C	..HOOK	1		
37	50-029-12C	..PILE	1		
38	206-072-568-116	.BLANKET ASSY, SOUNDPROOFING, AFT CABIN CLOSURE, RH (NOTE 1) (REPLACES 206-070-019-004 AND 206-072-568-004)	1		
39	50-029-7C	..HOOK	1		
40	50-029-8C	..PILE	1		
41	50-029-11C	..HOOK	1		
42	50-029-12C	..PILE	1		
43	206-072-267-103	.BLANKET ASSY, HATBOX BULKHEAD, RH (USBL ON 206-706-039-103)	1		
44	50-029-7AT	..HOOK	1		
45	50-029-8AT	..PILE	1		
46	206-072-634-103	.BLANKET ASSY, SOUNDPROOFING, AFT CABIN CLOSURE, RH (USBL ON 206-706-039-105)	1		
47	50-029-11C	..HOOK	1		
48	50-029-12C	..PILE	1		
49	50-029-7C	..HOOK	1		
50	50-029-8C	..PILE	1		
51	206-070-020-001	.BLANKET ASSY, SOUNDPROOF, HATBOX AREA, LH (USBL ON 206-706-039-003) (REPLACED BY 206-070-020-101)	1		

(1) INDEX NUMBER	(2) PART NUMBER	(3) ITEM NAME	(4) UNIT PER ASSY	(5) A V A I L	(6) U O C
<b>FIGURE: 25-28. Soundproofing blanket kit (Cont'd)</b>					
51	206-070-020-101	.BLANKET ASSY, SOUNDPROOF, HATBOX AREA, LH . . . . . (REPLACES 206-070-020-001)	1		
52	206-070-020-103	.BLANKET ASSY, SOUNDPROOF, HATBOX AREA, LH (USBL . . ON 206-706-039-101)	1		
53	206-072-266-101	.BLANKET ASSY, HATBOX ROLLOVER, LH (USBL ON . . . . . 206-706-039-103) (REPLACED BY 206-072-266-105)	1		
54	50-029-7AT	..HOOK . . . . .	1		
55	50-029-8AT	..PILE . . . . .	1		
56	206-072-266-105	.BLANKET ASSY, HATBOX ROLLOVER, LH (USBL ON . . . . . 206-706-039-103 AND -105) (REPLACES 206-072-266-101)	1		
57	50-029-11AT	..HOOK . . . . .	1		
58	50-029-12AT	..PILE . . . . .	1		
59	50-029-8AT	..PILE . . . . .	1		
60	206-072-266-103	.BLANKET ASSY, HATBOX ROLLOVER, RH (USBL ON . . . . . 206-706-039-103) (REPLACED BY 206-072-266-107)	1		
61	50-029-7AT	..HOOK . . . . .	1		
62	50-029-8AT	..PILE . . . . .	1		
63	206-072-266-107	.BLANKET ASSY, HATBOX ROLLOVER, RH (USBL ON . . . . . 206-706-039-103 AND-105) (REPLACES 206-072-266-103)	1		
64	50-029-11AT	..HOOK . . . . .	1		
65	50-029-12AT	..PILE . . . . .	1		
66	50-029-8AT	..PILE . . . . .	1		
67	50-029-7AT	.HOOK (REPLACED BY 50-029-11AT) . . . . .	4		
67	50-029-11AT	.HOOK (REPLACES 50-029-7AT) . . . . .	4		
68	NAS43DD3-8N	.SPACER (USBL ON 206-706-039-105) . . . . .	2		
69	MS27980-17B	.STUD (USBL ON 206-706-039-105) . . . . .	2		
70	206-072-265-101	.BLANKET ASSY, HATBOX (USBL ON 206-706-039-103) . . (REPLACED BY 206-072-265-103)	1		
71	50-029-8AT	..PILE . . . . .	1		
72	206-072-265-103	.BLANKET ASSY, HATBOX (USBL ON 206-706-039-103 . . . AND -105) (REPLACES 206-072-265-101)	1		
73	50-029-12AT	..PILE . . . . .	1		
74	MS27980-1B	..BUTTON . . . . .	2		
75	MS27980-6B	..SOCKET . . . . .	2		
76	50-029-11A	.HOOK (REPLACED BY 50-029-11AT) . . . . .	4		
76	50-029-11AT	.HOOK (REPLACES 50-029-11A) . . . . .	4		
NOTE 1: 206-072-568-003, -004, -115 AND -116 BLANKET ASSEMBLIES REPLACE 206-070-019-001, -003, -004 BLANKET ASSEMBLIES, NAS1329A3K80 NUT, 140-017-10SC WASHER AND 120-079-10-16 SCREW AS A UNIT.					



(1) INDEX NUMBER	(2) PART NUMBER	(3) ITEM NAME	(4) UNIT PER ASSY	(5) A V A I L	(6) U O C												
		<p><b>FIGURE: 25-28. Soundproofing blanket kit (Cont'd)</b></p> <p style="text-align: center;">USABLE ON CODES</p> <table border="0" style="margin-left: auto; margin-right: auto;"> <tr> <td style="padding-right: 20px;">CODE</td> <td style="padding-right: 20px;">MODEL</td> <td>SERIAL NUMBER</td> </tr> <tr> <td>A</td> <td>A, B, BIII</td> <td></td> </tr> <tr> <td>B</td> <td>B, BIII</td> <td></td> </tr> <tr> <td>C</td> <td>BIII</td> <td></td> </tr> </table> <p>1) UNLESS A USABLE ON PART NUMBER IS LISTED IN THE ITEM NAME COLUMN; NO CODE INDICATES THE PART APPLIES TO ALL SERIAL NUMBERS.</p> <p>2) IF THE SERIAL NUMBER IS BLANK THE PART APPLIES TO ALL SERIAL NUMBERS FOR THAT MODEL.</p>	CODE	MODEL	SERIAL NUMBER	A	A, B, BIII		B	B, BIII		C	BIII				
CODE	MODEL	SERIAL NUMBER															
A	A, B, BIII																
B	B, BIII																
C	BIII																



206A/B/B3-25-1029  
C0000

Figure 25-29. Soundproofing installation

(1) INDEX NUMBER	(2) PART NUMBER	(3) ITEM NAME	(4) UNIT PER ASSY	(5) A V A I L	(6) U O C
		<b>FIGURE: 25-29. Soundproofing installation</b>			
	206-070-186-001	SOUNDPROOFING INSTL . . . . .	1		
	206-070-186-101	SOUNDPROOFING INSTL . . . . .	1		
	206-070-186-105	SOUNDPROOFING INSTL . . . . .	1		
	206-070-186-107	SOUNDPROOFING INSTL . . . . .	1		
1	206-072-262-101	.BLANKET ASSY, CREW ROOF, LH (USBL ON 206-070-186-105 AND -107)	1		G
2	50-029-8AT	..PILE . . . . .	1		
3	206-072-262-102	.BLANKET ASSY, CREW ROOF, RH (USBL ON 206-070-186-105 AND -107)	1		G
4	50-029-8AT	..PILE . . . . .	1		
5	206-070-187-003	.BLANKET ASSY, SOUNDPROOF, UPPER BEAM, CABIN ROOF (USBL ON 206-070-186-001 AND -101)	1		AE
6	206-070-187-005	.BLANKET ASSY, SOUNDPROOF, UPPER BEAM, CABIN ROOF (USBL ON 206-070-186-001 AND -101)	1		D
7	206-072-263-101	.BLANKET ASSY, PASSENGER ROOF (USBL ON 206-070-186-105 AND -107)	1		G
8	50-029-11AT	..HOOK . . . . .	1		
9	50-029-12AT	..PILE . . . . .	1		
10	206-070-188-003	.BLANKET ASSY, SOUNDPROOF, HATBOX AREA (USBL ON 206-070-186-001) (REPLACED BY 206-070-188-103)	1		B
11	206-070-188-103	.BLANKET ASSY, SOUNDPROOF, HATBOX AREA (USBL ON 206-070-186-001 AND -101) (REPLACES 206-070-188-003)	1		C
12	50-029-8A	..PILE . . . . .	1		
13	206-072-264-101	.BLANKET ASSY, HATBOX AREA (USBL ON 206-070-186-105 AND -107)	1		G
14	50-029-8AT	..PILE . . . . .	1		
15	206-070-186-003	.LINER (USBL ON 206-070-186-001) . . . . .	1		B
15	206-070-186-103	.LINER (USBL ON 206-070-186-101) . . . . .	1		F
16	206-070-186-007	.FILLER (USBL ON 206-070-186-001 AND -101) . . . . .	1		C
17	206-072-290-123	.SEALER SET (USBL ON 206-070-186-105 AND -107) . . .	1		G
18	222-025-026-101	.PAD ASSY, SOUNDPROOFING (USBL ON 206-070-186-107)	10		H
19	222-025-026-103	.PAD ASSY, SOUNDPROOFING (USBL ON 206-070-186-107)	10		H
20	222-025-026-105	.PAD ASSY, SOUNDPROOFING (USBL ON 206-070-186-107)	10		H
21	50-029-7AT	.HOOK . . . . .	16		F
21	50-029-7BN	.HOOK (REPLACED BY 50-029-7BP) . . . . .	16		G
21	50-029-7BP	.HOOK (REPLACES 50-029-7BN) . . . . .	16		G
22	50-029-11BN	.HOOK (REPLACED BY 50-029-11BP) . . . . .	16		G
22	50-029-11BP	.HOOK (REPLACES 50-029-11BN) . . . . .	16		G

(1) INDEX NUMBER	(2) PART NUMBER	(3) ITEM NAME	(4) UNIT PER ASSY	(5) A V A I L	(6) U O C																											
		<p><b>FIGURE: 25-29. Soundproofing installation (Cont'd)</b></p> <p style="text-align: center;">USABLE ON CODES</p> <table border="0" style="margin-left: auto; margin-right: auto;"> <thead> <tr> <th style="text-align: left;">CODE</th> <th style="text-align: left;">MODEL</th> <th style="text-align: left;">SERIAL NUMBER</th> </tr> </thead> <tbody> <tr> <td>A</td> <td>206A</td> <td>54-583</td> </tr> <tr> <td>B</td> <td>206A/B/BIII</td> <td>54-3121</td> </tr> <tr> <td>C</td> <td>206A/B/BIII</td> <td>54-3566</td> </tr> <tr> <td>D</td> <td>206A/B/BIII</td> <td>584-3566</td> </tr> <tr> <td>E</td> <td>206B/BIII</td> <td>661-3566</td> </tr> <tr> <td>F</td> <td>206BIII</td> <td>3122-3566</td> </tr> <tr> <td>G</td> <td>206BIII</td> <td>3567-SUB</td> </tr> <tr> <td>H</td> <td>206BIII</td> <td>3927-SUB</td> </tr> </tbody> </table> <p>1) UNLESS A USABLE ON PART NUMBER IS LISTED IN THE ITEM NAME COLUMN; NO CODE INDICATES THE PART APPLIES TO ALL SERIAL NUMBERS.</p> <p>2) IF THE SERIAL NUMBER IS BLANK THE PART APPLIES TO ALL SERIAL NUMBERS FOR THAT MODEL.</p>	CODE	MODEL	SERIAL NUMBER	A	206A	54-583	B	206A/B/BIII	54-3121	C	206A/B/BIII	54-3566	D	206A/B/BIII	584-3566	E	206B/BIII	661-3566	F	206BIII	3122-3566	G	206BIII	3567-SUB	H	206BIII	3927-SUB			
CODE	MODEL	SERIAL NUMBER																														
A	206A	54-583																														
B	206A/B/BIII	54-3121																														
C	206A/B/BIII	54-3566																														
D	206A/B/BIII	584-3566																														
E	206B/BIII	661-3566																														
F	206BIII	3122-3566																														
G	206BIII	3567-SUB																														
H	206BIII	3927-SUB																														