

CONTENTS - IPB

Figure Number	Figure Title	Chapter/Section Number	Page Number
28-1	Fuel system installation (4 thru 253)	28-99-00	2
28-2	Fuel system installation (254 thru 2123)	28-99-00	8
28-3	Fuel system installation (2123 thru 3566)	28-99-00	14
28-4	Fuel system installation (3567 thru sub)	28-99-00	20
28-5	Fuel filter kit	28-99-00	26
28-6	Fuel system installation (3387-SUB)	28-99-00	34

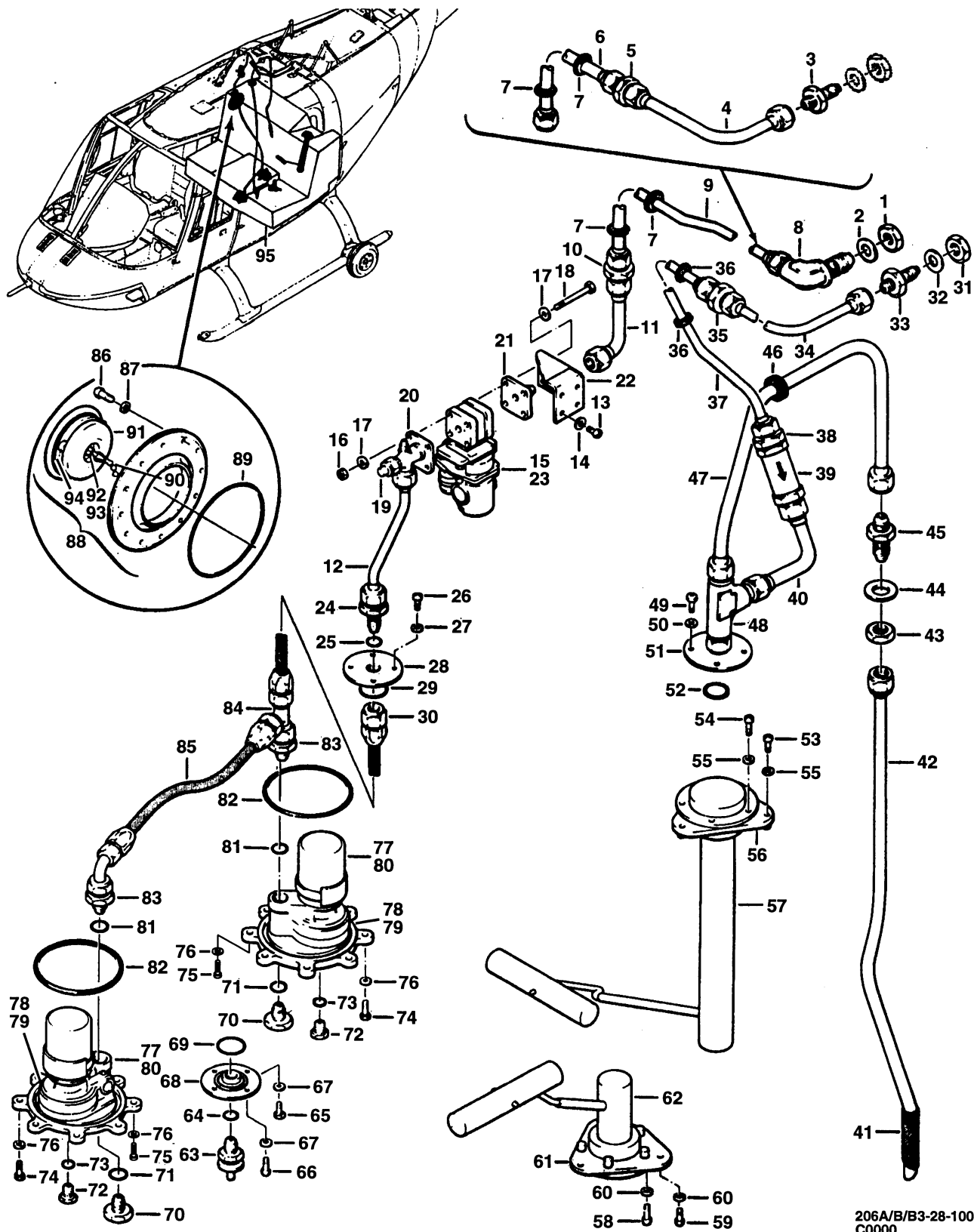


Figure 28-1. Fuel system installation (4 thru 253)

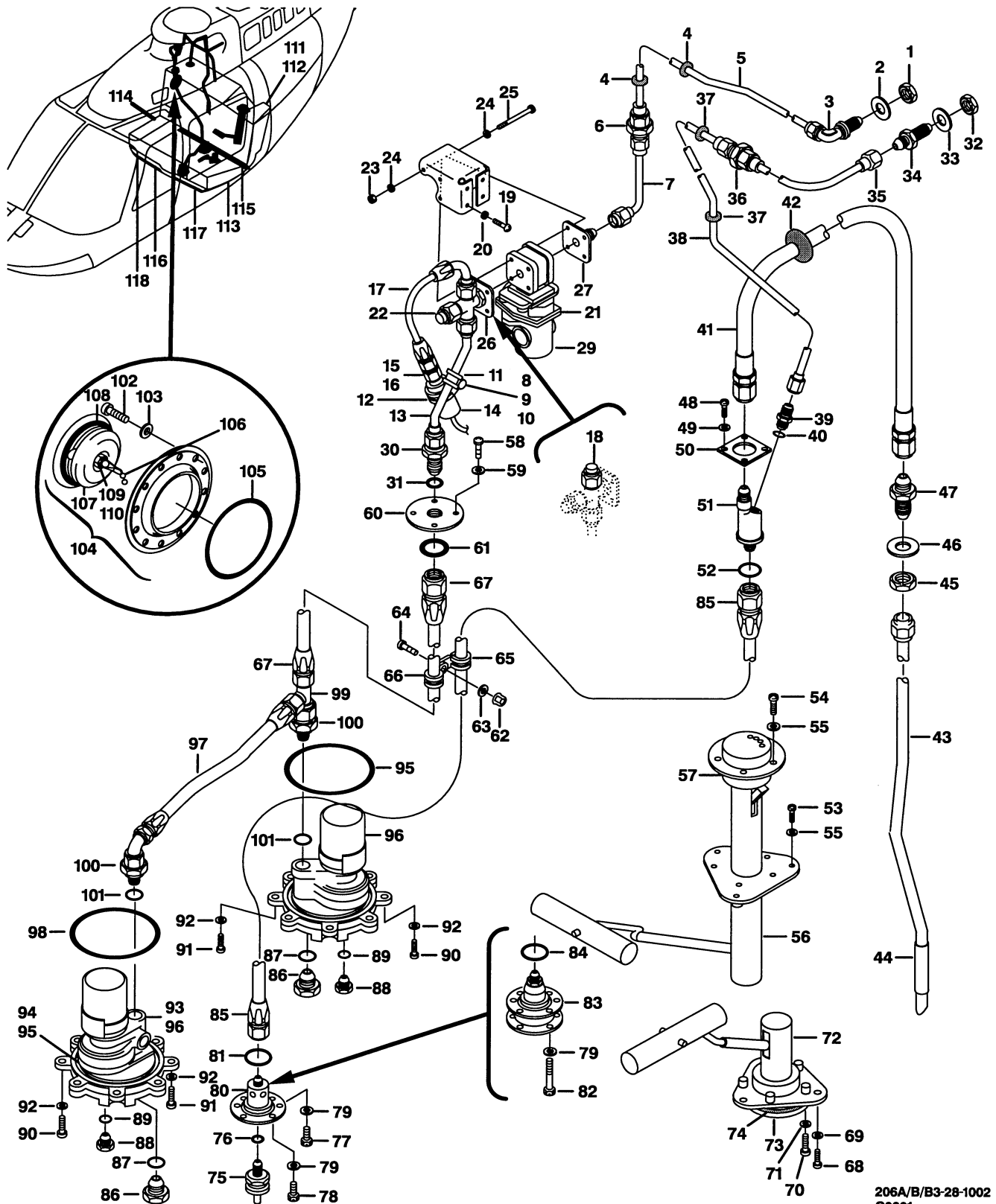
(1) INDEX NUMBER	(2) PART NUMBER	(3) ITEM NAME	(4) UNIT PER ASSY	(5) A V A I L	(6) U O C
		FIGURE: 28-1. Fuel system installation (4 thru 253)			
	206-061-600-001	FUEL SYSTEM INSTL	1		
	206-061-600-007	FUEL SYSTEM INSTL	1		
	206-061-600-009	FUEL SYSTEM INSTL	1		
1	AN924-6	.NUT	1	1	
2	AN960C916L	.WASHER (REPLACED BY NAS1149C0932R)	1	1	
2	NAS1149C0932R	.WASHER (REPLACES AN960C916L)	1		
3	AN832-6C	.UNION (REPLACED BY AN832-6J)	1		C
3	AN832-6J	.UNION (REPLACES AN832-6C)	1	1	C
4	206-061-640-001	.TUBE ASSY (REPLACED BY 206-061-687-001)	1	0	C
4	206-061-687-001	.TUBE ASSY (REPLACES 206-061-640-001)	1	6	C
5	AN815-6D	.UNION	1	1	C
6	206-061-639-001	.TUBE ASSY, FUEL, UNION TO UNION (REPLACED BY 206-061-686-001)	1	0	C
6	206-061-686-001	.TUBE ASSY, FUEL, UNION TO UNION (REPLACES 206-061-639-001)	1	6	C
7	MS35489-16	.GROMMET	2	1	C
7	MS35489-12	.GROMMET	2	1	F
8	AN833-6	.ELBOW	1		F
9	206-061-650-001	.TUBE ASSY, BLKHD TO ELBOW (REPLACED BY 206-061-685-001)	1	0	F
9	206-061-685-001	.TUBE ASSY, BLKHD TO ELBOW (REPLACES 206-061-650-001)	1	1	F
10	AN815-6D	.UNION	1	1	
11	206-061-645-001	.TUBE ASSY, VALVE TO UNION	1		
12	206-061-643-001	.TUBE ASSY, FUEL, DECK TO VALVE	1		
13	MS27039-1-07	.SCREW	4	1	
14	AN960PD10L	.WASHER (REPLACED BY AN960JD10L)	4		
14	AN960JD10L	.WASHER (REPLACES AN960PD10L) (REPLACED BY NAS1149D0332J)	4		
14	NAS1149D0332J	.WASHER (REPLACES AN960JD10L)	4		
15	206-061-622-001	.VALVE ASSY	1		C
15	206-061-622-003	.VALVE ASSY (ALTERNATE PART)	1		F
15	233375-2	.VALVE ASSY (ALTERNATE PART)	1	0	F
15	233375-4	.VALVE ASSY	1	0	F
16	MS21042-3	.NUT (REPLACED BY MS21042L3)	4		
16	MS21042L3	.NUT (REPLACES MS21042-3)	4	1	
17	AN960-10L	.WASHER (REPLACED BY NAS1149F0332P)	8		
17	NAS1149F0332P	.WASHER (REPLACES AN960-10L)	8		
18	AN3-21A	.BOLT	4	1	
19	AN929-4	.CAP	1	1	
20	206-061-623-001	.CROSS	1	1	
21	206-061-624-001	.CONNECTOR	1	1	
22	206-061-625-001	.BRACKET	1	0	C
22	206-061-653-001	.BRACKET ASSY	1	1	F
23	AV24B1139B	.VALVE	1		
24	AN832-6D	.UNION	1	1	
25	MS29512-06	.PACKING, PREFORMED	1	1	
26	MS27039-1-08	.SCREW	4	1	

(1) INDEX NUMBER	(2) PART NUMBER	(3) ITEM NAME	(4) UNIT PER ASSY	(5) A V A I L	(6) U O C
		FIGURE: 28-1. Fuel system installation (4 thru 253) (Cont'd)			
27	AN960PD10L	.WASHER (REPLACED BY AN960JD10L)	4		
27	AN960JD10L	.WASHER (REPLACES AN960PD10L) (REPLACED BY NAS1149D0332J)	4		
27	NAS1149D0332J	.WASHER (REPLACES AN960JD10L)	4		
28	206-061-613-001	.FITTING	1	1	
29	MS29513-123	.PACKING, PREFORMED	1	1	
30	70-010V000A311	.HOSE ASSY (REPLACED BY 70-061V000A311A)	1		
30	70-061V000A311A	.HOSE ASSY (REPLACES 70-010V000A311)	1		
31	AN924-3D	.NUT	1	1	
32	AN960PD616L	.WASHER (REPLACED BY AN960JD616L)	1		
32	AN960JD616L	.WASHER (REPLACES AN960PD616L) (REPLACED BY NAS1149D0616J)	1	1	
32	NAS1149D0616J	.WASHER (REPLACES AN960JD616L)	1		
33	AN832-3D	.UNION	1	1	
34	206-061-642-001	.TUBE ASSY (REPLACED BY 206-061-682-001)	1	0	
34	206-061-682-001	.TUBE ASSY (REPLACES 206-061-642-001)	1	1	
35	AN815-3D	.UNION	1	1	
36	MS35489-5	.GROMMET	2	1	C
37	206-061-641-001	.TUBE ASSY (REPLACED BY 206-061-688-001)	1	0	C
37	206-061-688-001	.TUBE ASSY (REPLACES 206-061-641-001)	1	6	C
37	206-061-673-001	.TUBE ASSY (REPLACED BY 206-061-689-001)	1	0	F
37	206-061-689-001	.TUBE ASSY (REPLACES 206-061-673-001)	1		F
38	AN919-2D	.REDUCER	1	1	
39	446-4D1-6	.VALVE	1	0	A
39	49604D1-2	.VALVE	1		D
40	206-061-633-001	.TUBE ASSY, PURGE LINE, RESTRICTOR TO TEE	1		
41	206-061-609-001	.TUBE ASSY, FUEL, VENT TO OVBD	1	6	
42	206-061-600-003	.HOSE	1		
43	AN924-8D	.NUT	1	1	
44	AN960PD1216L	.WASHER (REPLACED BY AN960JD1216L)	1		
44	AN960JD1216L	.WASHER (REPLACES AN960PD1216L) (REPLACED BY NAS1149D1216J)	1	1	
44	NAS1149D1216J	.WASHER (REPLACES AN960JD1216L)	1		
45	AN832-8D	.ADAPTER	1	1	
46	206-061-644-001	.TUBE ASSY	1	1	
47	MS35489-15	.GROMMET	1	1	
48	2581	.TEE (REPLACED BY 110-089-8D)	1		
48	110-089-8D	.TEE (REPLACES 2581)	1		
49	MS27039-1-08	.SCREW	4	1	
50	AN960PD10L	.WASHER (REPLACED BY AN960JD10L)	4		
50	AN960JD10L	.WASHER (REPLACES AN960PD10L) (REPLACED BY NAS1149D0332J)	4		
50	NAS1149D0332J	.WASHER (REPLACES AN960JD10L)	4		
51	206-061-604-001	.FITTING	1	6	
52	MS29513-123	.PACKING, PREFORMED	1	1	
53	MS27039-1-06	.SCREW	3	1	
54	MS27039-1-08	.SCREW	5	1	
55	AN960PD10L	.WASHER (REPLACED BY AN960JD10L)	8		

(1) INDEX NUMBER	(2) PART NUMBER	(3) ITEM NAME	(4) UNIT PER ASSY	(5) A V A I L	(6) U O C
		FIGURE: 28-1. Fuel system installation (4 thru 253) (Cont'd)			
55	AN960JD10L	.WASHER (REPLACES AN960PD10L) (REPLACED BY NAS1149D0332J)	8		
55	NAS1149D0332J	.WASHER (REPLACES AN960JD10L)	8		
56	EA470-3518	.TANK UNIT	1	0	B
56	EA470-3587	.TANK UNIT	1	1	E
57	EA47145	.GASKET (ALTERNATE PART)	1		
57	206-061-671-001	.GASKET	1	1	
58	MS27039-1-08	.SCREW	5	1	
59	MS27039-1-06	.SCREW	3	1	
60	AN960PD10L	.WASHER (REPLACED BY AN960JD10L)	8		
60	AN960JD10L	.WASHER (REPLACES AN960PD10L) (REPLACED BY NAS1149D0332J)	8		
60	NAS1149D0332J	.WASHER (REPLACES AN960JD10L)	8		
61	EA47145	.GASKET (ALTERNATE PART)	1		
61	206-061-671-001	.GASKET	1	1	
62	EA470B3519	.TANK UNIT	1	0	B
62	EA470B3588	.TANK UNIT	1	1	E
63	TA5216-6	.VALVE (ALTERNATE PART)	1		
63	S2836	.VALVE	1		
64	MS29512-06	.PACKING, PREFORMED	1	1	
65	AN3H4A	.BOLT	1	1	
66	MS27039-1-08	.SCREW	3	1	
67	AN960PD10L	.WASHER (REPLACED BY AN960JD10L)	4		
67	AN960JD10L	.WASHER (REPLACES AN960PD10L) (REPLACED BY NAS1149D0332J)	4		
67	NAS1149D0332J	.WASHER (REPLACES AN960JD10L)	4		
68	206-061-613-001	.FITTING	1	1	
69	MS29513-123	.PACKING, PREFORMED	1	1	
70	7G82	.SWITCH (REPLACED BY 7G547)	2		
70	7G547	.SWITCH (REPLACES 7G82) (ALTERNATE PART)	2	1	
70	R211C117-40	.SWITCH (REV LTR C) (REPLACED BY 211C117-40A)	2		
70	211C117-40A	.SWITCH (REPLACES R211C117-40)	2	6	
71	MS29512-10	.PACKING, PREFORMED	2	1	
72	AN814-4DL	.PLUG (REPLACED BY AN814-4WL)	2	1	
72	AN814-4WL	.PLUG (REPLACES AN814-4DL)	2		
73	MS29512-04	.PACKING, PREFORMED	2	1	
74	AN4-5A	.BOLT	13	1	
75	AN4-5A	.BOLT (NOTE 1)	3	1	
75	AN4H5A	.BOLT (NOTE 1)	3	1	
76	AN960PD416L	.WASHER (REPLACED BY AN960JD416L)	16		
76	AN960JD416L	.WASHER (REPLACES AN960PD416L) (REPLACED BY NAS1149D0416J)	16	1	
76	NAS1149D0416J	.WASHER (REPLACES AN960JD416L)	16	1	
77	S2861-2	.PUMP, FUEL BOOST (REPLACED BY 206-062-681-101) (ALTERNATE PARTS)	2		

(1) INDEX NUMBER	(2) PART NUMBER	(3) ITEM NAME	(4) UNIT PER ASSY	(5) A V A I L	(6) U O C
		FIGURE: 28-1. Fuel system installation (4 thru 253) (Cont'd)			
77	RG12650	.PUMP, FUEL BOOST	2	6	
77	164A136	.PUMP, FUEL BOOST	2		
77	164A176	.PUMP, FUEL BOOST (REPLACED BY 164A204)	2		
77	164A204	.PUMP, FUEL BOOST (REPLACES 164A176) (REPLACED . . . BY 206-062-673-001)	2		
77	12650D	.PUMP, FUEL BOOST	2		
77	206-062-673-001	.PUMP, FUEL BOOST (NOTE 1) (REPLACES 164A204) (REPLACED BY 206-062-681-101)	2		
77	206-062-673-003	.PUMP, FUEL BOOST (REPLACED BY 206-062-681-101) . .	2		
77	206-062-681-101	.PUMP, FUEL BOOST (REPLACES 206-062-673-003 AND . . S2861-2)	2	1	
78	102A10001-23	..PACKING, PREFORMED (USBL ON 206-062-681-101) . . . (ALTERNATE PART)	1		
78	MS29513-033	..PACKING, PREFORMED (USBL ON 206-062-681-101) . . .	1	1	
79	102A10001-11	..PACKING, PREFORMED (USBL ON 206-062-681-101) . . . (ALTERNATE PART)	2		
79	MS29513-034	..PACKING, PREFORMED (USBL ON 206-062-681-101) . . .	2	1	
80	2C27-1	..CARTRIDGE (USBL ON 206-062-681-101)	1	1	
81	MS29512-10	.PACKING, PREFORMED	2	1	
82	MS29513-243	.PACKING, PREFORMED	2	1	
83	2534-10S	.VALVE, CHECK/THERMAL (REPLACED BY P49-389)	2	0	
83	P49-389	.VALVE (REPLACES 2534-10S) (ALTERNATE PART)	2	1	
83	Z02CV10-3	.VALVE	2	6	
84	5058D6	.TEE (REPLACED BY 110-089-2D)	1		
84	110-089-2D	.REDUCER TEE (REPLACES 5058D6)	1	1	
85	70-010H000V142	.HOSE ASSY (REPLACED BY 70-010V000V142)	1		
85	70-010V000V142	.HOSE ASSY (REPLACES 70-010H000V142) (REPLACED . . . BY 70-061V000V142A)	1	0	
85	70-061V000V142A	.HOSE ASSY (REPLACES 70-010V000V142)	1		
86	MS27039-4-11	.SCREW	8	1	
87	AN960PD416L	.WASHER (REPLACED BY AN960JD416L)	8		
87	AN960JD416L	.WASHER (REPLACES AN960PD416L) (REPLACED BY NAS1149D0416J)	8	1	
87	NAS1149D0416J	.WASHER (REPLACES AN960JD416L)	8	1	
88	416-474	.CAP AND ADAPTER ASSY	1	1	
89	MS29513-243	..PACKING, PREFORMED	1	1	
90	417-20-6	..CHAIN ASSY	1	1	
91	416-50	..CAP ASSY	1	1	
92	AN310-4	..NUT	1	1	
93	MS29513-010	..PACKING, PREFORMED	1	1	
94	MS29513-232	..PACKING, PREFORMED	1	1	
95	FCR49954	.FUEL CELL (REPLACED BY 206-061-675-001)	1		
95	206-061-675-001	.FUEL CELL (REPLACES FCR49954)	1	1	
		NOTE 1: WHEN USING 206-062-673-001 PUMP USE AN4H5A BOLT (3 REQD) IN LIEU OF AN4-5A (3 REQD)			

(1) INDEX NUMBER	(2) PART NUMBER	(3) ITEM NAME	(4) UNIT PER ASSY	(5) A V A I L	(6) U O C																					
		<p>FIGURE: 28-1. Fuel system installation (4 thru 253) (Cont'd)</p> <p style="text-align: center;">USABLE ON CODES</p> <table border="0" style="margin-left: auto; margin-right: auto;"> <thead> <tr> <th style="text-align: left;">CODE</th> <th style="text-align: left;">MODEL</th> <th style="text-align: left;">SERIAL NUMBER</th> </tr> </thead> <tbody> <tr> <td>A</td> <td>206A</td> <td>4-53</td> </tr> <tr> <td>B</td> <td>206A</td> <td>4-103</td> </tr> <tr> <td>C</td> <td>206A</td> <td>4-153</td> </tr> <tr> <td>D</td> <td>206A</td> <td>54-253</td> </tr> <tr> <td>E</td> <td>206A</td> <td>104-253</td> </tr> <tr> <td>F</td> <td>206A</td> <td>154-253</td> </tr> </tbody> </table> <p>1) UNLESS A USABLE ON PART NUMBER IS LISTED IN THE ITEM NAME COLUMN; NO CODE INDICATES THE PART APPLIES TO ALL SERIAL NUMBERS.</p> <p>2) IF THE SERIAL NUMBER IS BLANK THE PART APPLIES TO ALL SERIAL NUMBERS FOR THAT MODEL.</p>	CODE	MODEL	SERIAL NUMBER	A	206A	4-53	B	206A	4-103	C	206A	4-153	D	206A	54-253	E	206A	104-253	F	206A	154-253			
CODE	MODEL	SERIAL NUMBER																								
A	206A	4-53																								
B	206A	4-103																								
C	206A	4-153																								
D	206A	54-253																								
E	206A	104-253																								
F	206A	154-253																								



206A/B/B3-28-1002
C0001

Figure 28-2. Fuel system installation (254 thru 2123)

(1) INDEX NUMBER	(2) PART NUMBER	(3) ITEM NAME	(4) UNIT PER ASSY	(5) A V A I L	(6) U O C
		FIGURE: 28-2. Fuel system installation (254 thru 2123)			
	206-061-600-011	FUEL SYSTEM INSTL	1		
	206-061-600-015	FUEL SYSTEM INSTL	1		
	206-061-600-017	FUEL SYSTEM INSTL	1		
	206-061-600-019	FUEL SYSTEM INSTL	1		
	206-061-600-021	FUEL SYSTEM INSTL	1		
	206-061-600-023	FUEL SYSTEM INSTL	1		
1	AN924-6	.NUT	1	1	
2	AN960C916L	.WASHER (REPLACED BY NAS1149C0932R)	1	1	
2	NAS1149C0932R	.WASHER (REPLACES AN960C916L)	1		
3	AN833-6	.ELBOW	1		
4	MS35489-12	.GROMMET	2	1	
5	206-061-650-001	.TUBE ASSY, BLKHD TO ELBOW (REPLACED BY 206-061-685-001)	1	0	B
5	206-061-685-001	.TUBE ASSY, BLKHD TO ELBOW (REPLACES 206-061-650-001)	1	1	EM
6	AN815-6D	.UNION	1	1	
7	206-061-645-001	.TUBE ASSY, VALVE TO UNION	1		B
7	206-061-683-001	.TUBE ASSY, VALVE TO UNION	1	1	EM
8	MS21042L3	.NUT	1	1	S
9	AN960PD10L	.WASHER (REPLACED BY AN960JD10L)	1		S
9	AN960JD10L	.WASHER (REPLACES AN960PD10L) (REPLACED BY NAS1149D0332J)	1		S
9	NAS1149D0332J	.WASHER (REPLACES AN960JD10L)	1		S
10	MS27039-1-08	.SCREW	1	1	S
11	MS21919DG6	.CLAMP (REPLACED BY MS21919WDG6)	1		S
11	MS21919WDG6	.CLAMP (REPLACES MS21919DG6)	1	1	S
12	MS21919DG16	.CLAMP (REPLACED BY MS21919WDG16)	1		S
12	MS21919WDG16	.CLAMP (REPLACES MS21919DG16)	1	1	S
13	206-061-667-001	.TUBE ASSY, FUEL, DECK TO VALVE	1	1	
14	206-061-535-007	.TRANSDUCER (REPLACED BY BSE206-30G)	1	0	S
14	BSE206-30G	.TRANSDUCER (REPLACES 206-061-535-007)	1	1	S
15	MS29512-04	.PACKING, PREFORMED	1	1	S
16	AN894D4-3	.BUSHING	1	1	S
17	70-010E000Y061	.HOSE ASSY (REPLACED BY 70-061E000Y061A)	1		S
17	70-061E000Y061A	.HOSE ASSY (REPLACES 70-010E000Y061)	1		S
18	AN929-3	.CAP	1	1	A
19	MS27039-1-07	.SCREW	4	1	
20	AN960PD10L	.WASHER (REPLACED BY AN960JD10L)	4		
20	AN960JD10L	.WASHER (REPLACES AN960PD10L) (REPLACED BY NAS1149D0332J)	4		
20	NAS1149D0332J	.WASHER (REPLACES AN960JD10L)	4		
21	206-061-622-003	.VALVE ASSY	1		A
21	AV24B1179B-1	.VALVE ASSY (ALTERNATE PARTS)	1		K
21	233375-2	.VALVE ASSY	1	0	
21	233375-4	.VALVE ASSY	1	0	
22	AN929-4	.CAP (USBL ON 206-061-622-003)	1	1	
23	MS21042L3	.NUT	4	1	
24	AN960-10L	.WASHER (REPLACED BY NAS1149F0332P)	8		
24	NAS1149F0332P	.WASHER (REPLACES AN960-10L)	8		

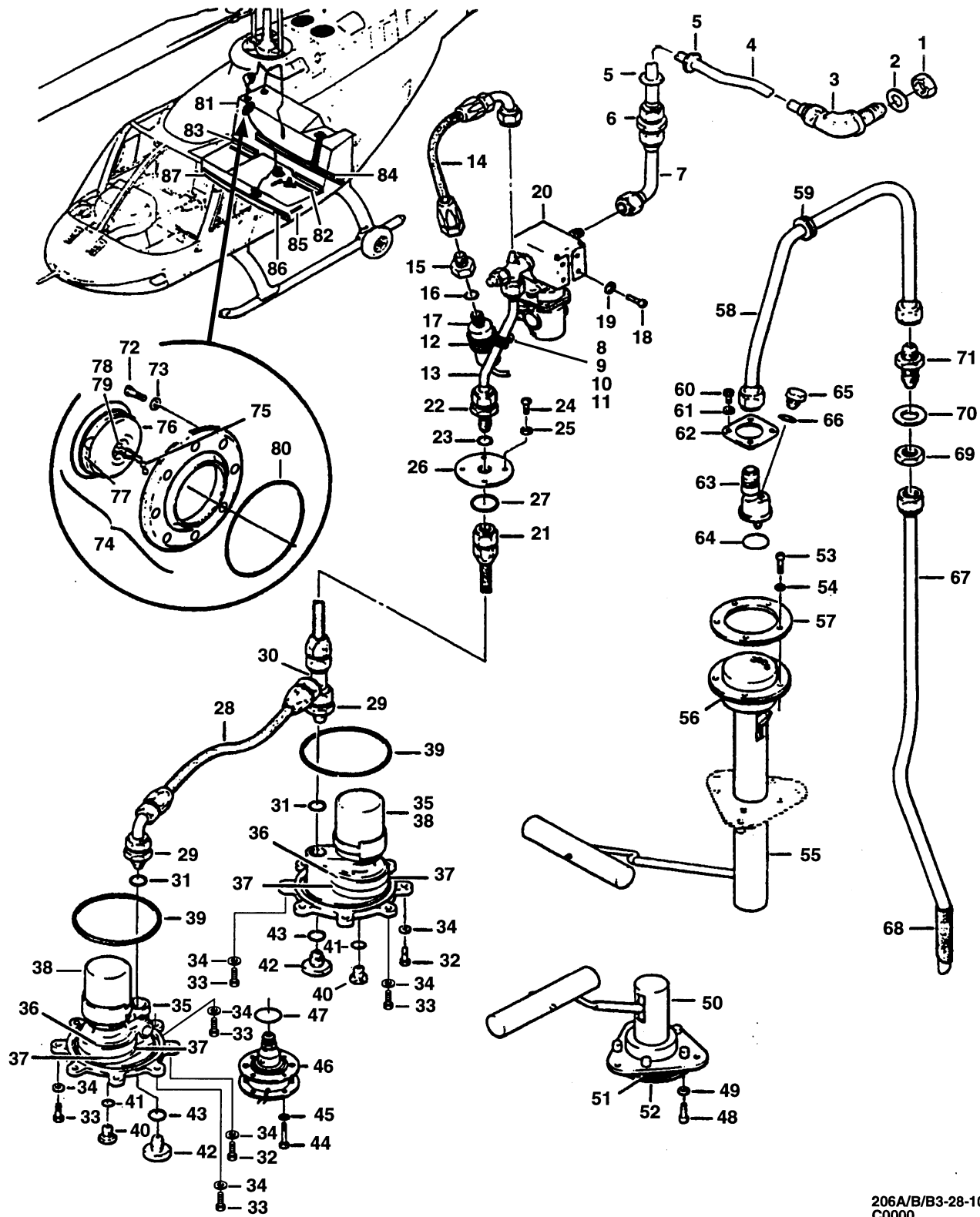
(1) INDEX NUMBER	(2) PART NUMBER	(3) ITEM NAME	(4) UNIT PER ASSY	(5) A V A I L	(6) U O C
FIGURE: 28-2. Fuel system installation (254 thru 2123) (Cont'd)					
25	AN3-21A	. . .BOLT	4	1	
26	206-061-623-001	. . .CROSS (USBL ON 206-061-622-003)	1	1	
26	125057A	. . .CROSS (USBL ON AV24B1179B)	1		
27	206-061-624-001	. . .CONNECTOR (USBL ON 206-061-622-003)	1	1	
27	40132A	. . .CONNECTOR (USBL ON AV24B1179B)	1		
28	206-061-653-001	. . .BRACKET ASSY (USBL ON 206-061-622-003)	1	1	
28	125056H	. . .BRACKET ASSY (USBL ON AV24B1179B)	1		
29	AV24B1139B	. . .VALVE (USBL ON 206-061-622-003)	1		
29	106788B151	. . .ACTUATOR ASSY (USBL ON AV24B1179B)	1		
30	AN832-6D	. . .UNION	1	1	
31	MS29512-06	. . .PACKING, PREFORMED	1	1	
32	AN924-3D	. . .NUT	1	1	
33	AN960PD616L	. . .WASHER (REPLACED BY AN960JD616L)	1		
33	AN960JD616L	. . .WASHER (REPLACES AN960PD616L) (REPLACED BY NAS1149D0616J)	1	1	
33	NAS1149D0616J	. . .WASHER (REPLACES AN960JD616L)	1		
34	AN832-3D	. . .UNION	1	1	
35	206-061-642-001	. . .TUBE ASSY, PURGE LINE, ENG TO FUEL FILTER (REPLACED BY 206-061-682-001)	1	0	B
35	206-061-682-001	. . .TUBE ASSY, PURGE LINE, ENG TO FUEL FILTER (REPLACES 206-061-642-001)	1	1	
36	AN815-3D	. . .UNION	1	1	
37	MS35489-5	. . .GROMMET	2	1	
38	206-061-649-001	. . .TUBE ASSY, PURGE LINE, ENG TO FUEL FILTER (REPLACED BY 206-061-684-001)	1	0	D
38	206-061-684-001	. . .TUBE ASSY, PURGE LINE, ENG TO FUEL FILTER (REPLACES 206-061-649-001)	1	1	
39	AN815-3D	. . .UNION	1	1	G
39	213-593	. . .FILTER	1	1	R
40	MS29512-03	. . .PACKING, PREFORMED	1	1	
41	206-061-644-001	. . .TUBE ASSY, VENT, FUEL, TANK TO UNION	1	1	
42	MS35489-15	. . .GROMMET	1	1	
43	206-061-609-001	. . .TUBE ASSY, FUEL, VENT TO OVBD	1	6	F
43	206-061-699-001	. . .TUBE ASSY, FUEL, VENT TO OVBD (REPLACED BY 206-062-672-001)	1		N
43	206-062-672-001	. . .TUBE ASSY, FUEL, VENT TO OVBD (REPLACES 206-061-699-001)	1	1	NS
44	206-061-600-003	. . .HOSE	1		
45	AN924-8D	. . .NUT	1	1	
46	AN960PD1216L	. . .WASHER (REPLACED BY AN960JD1216L)	1		
46	AN960JD1216L	. . .WASHER (REPLACES AN960PD1216L) (REPLACED BY NAS1149D1216J)	1	1	
46	NAS1149D1216J	. . .WASHER (REPLACES AN960JD1216L)	1		
47	AN832-8D	. . .ADAPTER	1	1	
48	MS27039-1-11	. . .SCREW	4	1	
49	AN960PD10L	. . .WASHER (REPLACED BY AN960JD10L)	4		
49	AN960JD10L	. . .WASHER (REPLACES AN960PD10L) (REPLACED BY NAS1149D0332J)	4		
49	NAS1149D0332J	. . .WASHER (REPLACES AN960JD10L)	4		

(1) INDEX NUMBER	(2) PART NUMBER	(3) ITEM NAME	(4) UNIT PER ASSY	(5) A V A I L	(6) U O C
FIGURE: 28-2. Fuel system installation (254 thru 2123) (Cont'd)					
50	206-061-651-001	.FLANGE	1	1	
51	206-061-652-001	.FITTING	1	1	
52	MS29513-123	.PACKING, PREFORMED	1	1	
53	MS27039-1-06	.SCREW	3	1	
54	MS27039-1-08	.SCREW	5	1	
55	AN960PD10L	.WASHER (REPLACED BY AN960JD10L)	8		
55	AN960JD10L	.WASHER (REPLACES AN960PD10L) (REPLACED BY NAS1149D0332J)	8		
55	NAS1149D0332J	.WASHER (REPLACES AN960JD10L)	8		
56	EA470-3587	.TANK UNIT	1	1	
57	EA47145	.GASKET (REPLACED BY 206-061-671-001)	1		
57	206-061-671-001	.GASKET (REPLACES EA47145)	1	1	
58	MS27039-1-08	.SCREW	4	1	
59	AN960PD10L	.WASHER (REPLACED BY AN960JD10L)	4		
59	AN960JD10L	.WASHER (REPLACES AN960PD10L) (REPLACED BY NAS1149D0332J)	4		
59	NAS1149D0332J	.WASHER (REPLACES AN960JD10L)	4		
60	206-061-613-001	.FITTING	1	1	
61	MS29513-123	.PACKING, PREFORMED	1	1	
62	NAS679C3	.NUT (REPLACED BY MS21043-3)	1	0	
62	MS21043-3	.NUT (REPLACES NAS679C3)	1	1	
63	AN960C10L	.WASHER (REPLACED BY NAS1149C0332R)	1		
63	NAS1149C0332R	.WASHER (REPLACES AN960C10L)	1	1	
64	MS27039-1-08	.SCREW	1	1	
65	MS21919DF6	.CLAMP (REPLACED BY MS21919WDF6)	1		
65	MS21919WDF6	.CLAMP (REPLACES MS21919DF6)	1	1	
66	MS21919DF9	.CLAMP (REPLACED BY MS21919WDF9)	1	0	
66	MS21919WDF9	.CLAMP (REPLACES MS21919DF9)	1		
67	70-010V000A311	.HOSE ASSY (REPLACED BY 70-061V000A311A)	1		
67	70-061V000A311A	.HOSE ASSY (REPLACES 70-010V000A311)	1		
68	MS27039-1-06	.SCREW	3	1	
69	AN960PD10L	.WASHER (REPLACED BY AN960JD10L)	3		
69	AN960JD10L	.WASHER (REPLACES AN960PD10L) (REPLACED BY NAS1149D0332J)	3		
69	NAS1149D0332J	.WASHER (REPLACES AN960JD10L)	3		
70	MS27039-1-10	.SCREW	5	1	
71	AN960-10L	.WASHER (REPLACED BY NAS1149F0332P)	5		
71	NAS1149F0332P	.WASHER (REPLACES AN960-10L)	5		
72	EA470B3588	.TANK UNIT	1	1	
73	206-061-672-001	.DOUBLER	2	1	
74	EA47145	.GASKET (REPLACED BY 206-061-671-001)	1		
74	206-061-671-001	.GASKET (REPLACES EA47145)	1	1	
75	TA5216-6	.VALVE (ALTERNATE PART)	1		C
75	S2836	.VALVE	1		C
76	MS29512-06	.PACKING, PREFORMED	1	1	C
77	AN3H4A	.BOLT	1	1	C
78	MS27039-1-08	.SCREW	3	1	C
79	AN960PD10L	.WASHER (REPLACED BY AN960JD10L)	4		

(1) INDEX NUMBER	(2) PART NUMBER	(3) ITEM NAME	(4) UNIT PER ASSY	(5) A V A I L	(6) U O C
		FIGURE: 28-2. Fuel system installation (254 thru 2123) (Cont'd)			
79	AN960JD10L	.WASHER (REPLACES AN960PD10L) (REPLACED BY NAS1149D0332J)	4		
79	NAS1149D0332J	.WASHER (REPLACES AN960JD10L)	4		
80	206-061-646-003	.FITTING	1	1	C
81	MS29513-123	.PACKING, PREFORMED	1	1	C
82	AN3H-13A	.BOLT	4		L
83	A280	.SOLENOID VALVE	1		L
		(ALTERNATE PARTS)			
83	15780	.SOLENOID VALVE	1		
83	1100-00-1	.SOLENOID VALVE	1		
83	774300-1	.SOLENOID VALVE	1		
83	200797-1	.SOLENOID VALVE (NOTE 1)	1		
83	513C3B	.SOLENOID VALVE	1		
83	6SN117	.SOLENOID VALVE	1		
83	DV1368	.SOLENOID VALVE	1		
84	MS29513-122	.PACKING, PREFORMED	1	1	
85	70-010E000D434	.HOSE ASSY (REPLACED BY 70-010S000D434)	1		
85	70-010S000D434	.HOSE ASSY (REPLACES 70-010E000D434)	1		
86	7G82	.SWITCH (REPLACED BY 7G547)	2		H
86	7G547	.SWITCH (REPLACES 7G82)	2	1	
		(ALTERNATE PART)			
86	R211C117-40	.SWITCH (REV LTR C) (REPLACED BY 211C117-40A)	2		
86	211C117-40A	.SWITCH (REPLACES R211C117-40)	2	6	
87	MS29512-10	.PACKING, PREFORMED	2	1	
88	AN814-4DL	.PLUG (REPLACED BY AN814-4WL)	2	1	
88	AN814-4WL	.PLUG (REPLACES AN814-4DL)	2		
89	MS29512-04	.PACKING, PREFORMED	2	1	
90	AN4-5A	.BOLT (USE WITH RG12650D, S2861-2, RG12650 AND 164A136)	13	1	
91	AN4-5A	.BOLT	3	1	
91	AN4H5A	.BOLT (USE WITH 206-062-681-001)	3	1	
92	AN960PD416L	.WASHER (REPLACES AN960JD416L)	16		
92	AN960JD416L	.WASHER (REPLACES AN960PD416L) (REPLACED BY NAS1149D0416J)	16	1	
92	NAS1149D0416J	.WASHER (REPLACES AN960JD416L)	16	1	
93	S2861-2	.PUMP, FUEL BOOST (REPLACED BY 206-062-681-101)	2		D
93	206-062-681-101	.PUMP (REPLACES S2861-2)	2	1	
93	RG12650D	.PUMP, FUEL BOOST	2		P
		(ALTERNATE PARTS)			
93	RG12650	.PUMP, FUEL BOOST	2	6	
93	164A136	.PUMP, FUEL BOOST	2		
93	164A176	.PUMP, FUEL BOOST (REPLACED BY 164A204)	2		
93	164A204	.PUMP, FUEL BOOST (REPLACES 164A176) (REPLACED BY 206-062-673-001)	2		
93	206-062-673-001	.PUMP, FUEL BOOST (NOTE 1) (REPLACES 164A204) (REPLACED BY 206-062-681-101)	2		
93	206-062-673-003	.PUMP, FUEL BOOST (REPLACED BY 206-062-681-101)	2		
93	206-062-681-101	.PUMP, FUEL BOOST (REPLACES 206-062-673-001 AND -003)	2	1	

(1) INDEX NUMBER	(2) PART NUMBER	(3) ITEM NAME	(4) UNIT PER ASSY	(5) A V A I L	(6) U O C
		FIGURE: 28-2. Fuel system installation (254 thru 2123) (Cont'd)			
94	102A10001-23	..PACKING, PREFORMED (USBL ON 206-062-681-101) . . . (ALTERNATE PART)	1		
94	MS29513-033	..PACKING, PREFORMED (USBL ON 206-062-681-101) . . .	1	1	
95	102A10001-11	..PACKING, PREFORMED (USBL ON 206-062-681-101) . . . (ALTERNATE PART)	2		
95	MS29513-034	..PACKING, PREFORMED (USBL ON 206-062-681-101) . . .	2	1	
96	2C27-1	..CARTRIDGE (USBL ON 206-062-681-101)	1	1	
97	70-010H000V142	.HOSE ASSY (REPLACED BY 70-010V000V142)	1		
97	70-010V000V142	.HOSE ASSY (REPLACES 70-010H000V142) (REPLACED . . . BY 70-061V000V142A)	1	0	
97	70-061V000V142A	.HOSE ASSY (REPLACES 70-010V000V142)	1		
98	MS29513-243	.PACKING, PREFORMED	2	1	
99	5058D6	.TEE (REPLACED BY 110-089-2D)	1		H
99	110-089-2D	.REDUCER TEE (REPLACES 5058D6)	1	1	
100	2534-10S	.VALVE, CHECK/THERMAL (REPLACED BY P49-389)	2	0	
100	P49-389	.VALVE (REPLACES 2534-10S) (ALTERNATE PARTS)	2	1	S
100	305780	.VALVE, CHECK/THERMAL	2		
100	Z02CV10-3	.VALVE	2	6	
101	MS29512-10	.PACKING, PREFORMED	2	1	
102	MS27039-4-11	.SCREW	8	1	
103	AN960PD416L	.WASHER (REPLACED BY AN960JD416L)	8		
103	AN960JD416L	.WASHER (REPLACES AN960PD416L) (REPLACED BY NAS1149D0416J)	8	1	
103	NAS1149D0416J	.WASHER (REPLACES AN960JD416L)	8	1	
104	416-474	.CAP AND ADAPTER ASSY	1	1	
105	MS29513-243	..PACKING, PREFORMED	1	1	
106	417-20-6	..CHAIN ASSY	1	1	
107	416-50	..CAP ASSY	1	1	
108	MS29513-232	..PACKING, PREFORMED	1	1	
109	AN310-4	..NUT	1	1	
110	MS29513-010	..PACKING, PREFORMED	1	1	
111	FCR49954	.FUEL CELL (REPLACED BY 206-061-675-001)	1		H
111	206-061-675-001	.FUEL CELL (REPLACES FCR49954) (ALTERNATE PARTS)	1	1	
111	206-061-675-003	.FUEL CELL	1		
111	206-061-675-005	.FUEL CELL	1	6	
112	206-061-636-001	.COVER INSTL	1		Q
113	206-061-698-001	..COVER	1	1	
114	206-061-698-002	..COVER	1	1	
115	206-061-636-013	..FILLER	1	1	
116	206-061-636-011	..FILLER	1	1	
117	206-031-138-001	SUPPORT INSTL, FULL CELL	1		
117	206-031-138-003	.SUPPORT ASSY, LH	1	1	
118	206-031-138-004	.SUPPORT ASSY, RH	1	1	
		NOTE 1: USE AN3H14A BOLTS ON INSTALLATION IN LIEU OF AN3H13A BOLTS.			

(1) INDEX NUMBER	(2) PART NUMBER	(3) ITEM NAME	(4) UNIT PER ASSY	(5) A V A I L	(6) U O C																																																						
		<p align="center">FIGURE: 28-2. Fuel system installation (254 thru 2123) (Cont'd)</p> <p align="center">USABLE ON CODES</p> <table border="0"> <thead> <tr> <th>CODE</th> <th>MODEL</th> <th>SERIAL NUMBER</th> </tr> </thead> <tbody> <tr><td>A</td><td>206A</td><td>254-413</td></tr> <tr><td>B</td><td>206A</td><td>254-578,581-596,600</td></tr> <tr><td>C</td><td>206A</td><td>254-583</td></tr> <tr><td>D</td><td>206A</td><td>254-715</td></tr> <tr><td>E</td><td>206A</td><td>579-580,597-599</td></tr> <tr><td>F</td><td>206A/B</td><td>254-1163</td></tr> <tr><td>G</td><td>206A/B</td><td>254-1813</td></tr> <tr><td>H</td><td>206A/B</td><td>254-1903</td></tr> <tr><td>J</td><td>206A/B</td><td>254-2123</td></tr> <tr><td>K</td><td>206A/B</td><td>414-2123</td></tr> <tr><td>L</td><td>206A/B</td><td>584-2123</td></tr> <tr><td>M</td><td>206A/B</td><td>601-2123</td></tr> <tr><td>N</td><td>206B</td><td>1164-1903</td></tr> <tr><td>P</td><td>206B</td><td>716-2123</td></tr> <tr><td>Q</td><td>206B</td><td>914-2123</td></tr> <tr><td>R</td><td>206B</td><td>1814-2123</td></tr> <tr><td>S</td><td>206B</td><td>1904-2123</td></tr> </tbody> </table> <p>1) UNLESS A USABLE ON PART NUMBER IS LISTED IN THE ITEM NAME COLUMN; NO CODE INDICATES THE PART APPLIES TO ALL SERIAL NUMBERS.</p> <p>2) IF THE SERIAL NUMBER IS BLANK THE PART APPLIES TO ALL SERIAL NUMBERS FOR THAT MODEL.</p>	CODE	MODEL	SERIAL NUMBER	A	206A	254-413	B	206A	254-578,581-596,600	C	206A	254-583	D	206A	254-715	E	206A	579-580,597-599	F	206A/B	254-1163	G	206A/B	254-1813	H	206A/B	254-1903	J	206A/B	254-2123	K	206A/B	414-2123	L	206A/B	584-2123	M	206A/B	601-2123	N	206B	1164-1903	P	206B	716-2123	Q	206B	914-2123	R	206B	1814-2123	S	206B	1904-2123			
CODE	MODEL	SERIAL NUMBER																																																									
A	206A	254-413																																																									
B	206A	254-578,581-596,600																																																									
C	206A	254-583																																																									
D	206A	254-715																																																									
E	206A	579-580,597-599																																																									
F	206A/B	254-1163																																																									
G	206A/B	254-1813																																																									
H	206A/B	254-1903																																																									
J	206A/B	254-2123																																																									
K	206A/B	414-2123																																																									
L	206A/B	584-2123																																																									
M	206A/B	601-2123																																																									
N	206B	1164-1903																																																									
P	206B	716-2123																																																									
Q	206B	914-2123																																																									
R	206B	1814-2123																																																									
S	206B	1904-2123																																																									



206A/B/B3-28-1003
C0000

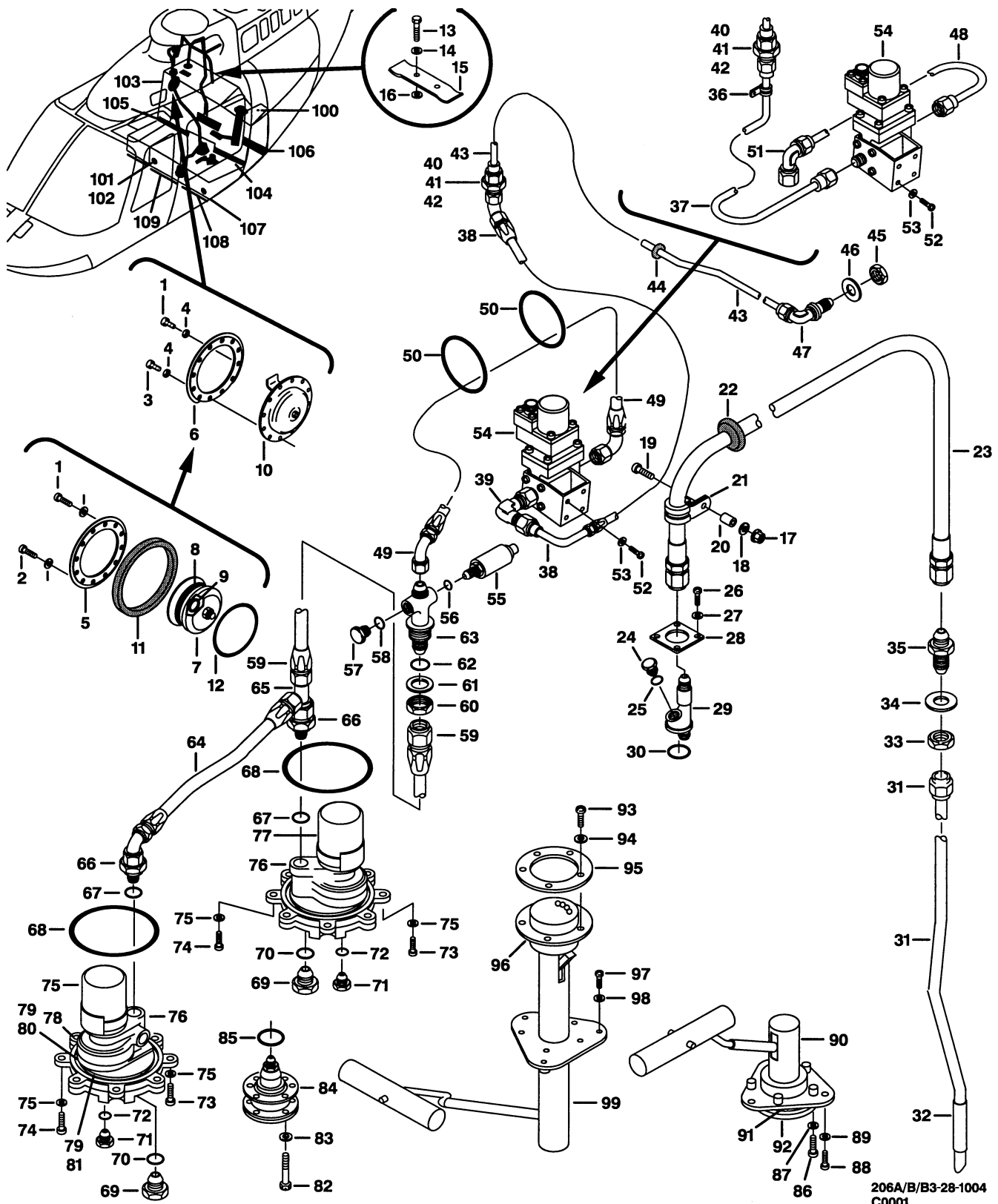
Figure 28-3. Fuel system installation (2123 thru 3566)

(1) INDEX NUMBER	(2) PART NUMBER	(3) ITEM NAME	(4) UNIT PER ASSY	(5) A V A I L	(6) U O C
		FIGURE: 28-3. Fuel system installation (2123 thru 3566)			
	206-061-600-025	FUEL SYSTEM INSTL	1		
	206-061-600-101	FUEL SYSTEM INSTL (SEE FIG. 28-6 FOR BALANCE OF . . . BREAKDOWN)	1		
1	AN924-6	.NUT	1	1	
2	AN960C916L	.WASHER (REPLACED BY NAS1149C0932R)	1	1	
2	NAS1149C0932R	.WASHER (REPLACES AN960C916L)	1		
3	AN833-6	.ELBOW	1		
4	206-061-685-001	.TUBE ASSY, BLKHD TO ELBOW	1	1	
5	MS35489-12	.GROMMET	2	1	
6	AN815-6D	.UNION	1	1	
7	206-061-683-001	.TUBE ASSY, FUEL, VALVE TO UNION	1	1	
8	MS21042L3	.NUT	1	1	
9	AN960PD10L	.WASHER (REPLACED BY AN960JD10L)	1		
9	AN960JD10L	.WASHER (REPLACES AN960PD10L) (REPLACED BY NAS1149D0332J)	1		
9	NAS1149D0332J	.WASHER (REPLACES AN960JD10L)	1		
10	MS27039-1-08	.SCREW	1	1	
11	MS21919DG6	.CLAMP (REPLACED BY MS21919WDG6)	1		
11	MS21919WDG6	.CLAMP (REPLACES MS21919DG6)	1	1	
12	MS21919DG16	.CLAMP (REPLACED BY MS21919WDG16)	1		
12	MS21919WDG16	.CLAMP (REPLACES MS21919DG16)	1	1	
13	206-061-667-001	.TUBE ASSY, FUEL, DECK TO VALVE	1	1	
14	70-010E000Y061	.HOSE ASSY (REPLACED BY 70-061E000Y061A)	1		
14	70-061E000Y061A	.HOSE ASSY (REPLACES 70-010E000Y061)	1		
15	AN894D4-3	.BUSHING	1	1	
16	MS29512-04	.PACKING, PREFORMED	1	1	
17	206-061-535-007	.TRANSDUCER (REPLACED BY BSE206-30G)	1	0	
17	BSE206-30G	.TRANSDUCER (REPLACES 206-061-535-007)	1	1	
18	MS27039-1-07	.SCREW	4	1	
19	AN960PD10L	.WASHER (REPLACED BY AN960JD10L)	4		
19	AN960JD10L	.WASHER (REPLACES AN960PD10L) (REPLACED BY NAS1149D0332J)	4		
19	NAS1149D0332J	.WASHER (REPLACES AN960JD10L)	4		
20	AV24B1265AR	.VALVE ASSY (ALTERNATE PARTS)	1	0	
20	233375-2	.VALVE ASSY	1	0	
20	233375-4	.VALVE ASSY	1	0	
20	P172-395	.VALVE ASSY	1	1	
21	70-010H000A311	.HOSE ASSY (REPLACED BY 70-010V000A311) (REPLACED BY 70-061H000A311A)	1		A
21	70-061H000A311A	.HOSE ASSY (REPLACES 70-010H000A311) (REPLACES 70-010H000A311)	1		A
21	70-010V000A311	.HOSE ASSY (REPLACES 70-010H000A311) (REPLACED . . . BY 70-061V000A311A)	1		
21	70-061V000A311A	.HOSE ASSY (REPLACES 70-010H000A311) (REPLACES . . . 70-010V000A311)	1		
22	AN832-6D	.UNION	1	1	
23	MS29512-06	.PACKING, PREFORMED	1	1	
24	MS27039-1-08	.SCREW	4	1	
25	AN960PD10L	.WASHER (REPLACED BY AN960JD10L)	4		

(1) INDEX NUMBER	(2) PART NUMBER	(3) ITEM NAME	(4) UNIT PER ASSY	(5) A V A I L	(6) U O C
		FIGURE: 28-3. Fuel system installation (2123 thru 3566) (Cont'd)			
25	AN960JD10L	.WASHER (REPLACES AN960PD10L) (REPLACED BY NAS1149D0332J)	4		
25	NAS1149D0332J	.WASHER (REPLACES AN960JD10L)	4		
26	206-061-613-001	.FITTING	1	1	
27	MS29513-123	.PACKING, PREFORMED	1	1	
28	70-010H000V142	.HOSE ASSY (REPLACED BY 70-010V000V142 AND 70-061V000V142A)	1		A
28	70-010V000V142	.HOSE ASSY (REPLACES 70-010H000V142) (REPLACED . . . BY 70-061V000V142A)	1	0	A
28	70-061V000V142A	.HOSE ASSY (REPLACES 70-010H000V142 AND 70-010V000V142)	1		
29	P49-389	.VALVE, CHECK/THERMAL (ALTERNATE PARTS)	1	1	
29	4-1475-2	.VALVE, CHECK/THERMAL	1		
29	Z02CV10-3	.VALVE, CHECK/THERMAL	1	6	
30	110-089-2D	.REDUCER TEE	1	1	
31	MS29512-10	.PACKING, PREFORMED	2	1	
32	AN4-5A	.BOLT	13	1	
33	AN4-5A	.BOLT (NOTE 1)	3	1	
33	AN4H5A	.BOLT (NOTE 1)	3	1	
34	AN960PD416L	.WASHER (REPLACED BY AN960JD416L)	16		
34	AN960JD416L	.WASHER (REPLACES AN960PD416L) (REPLACED BY NAS1149D0416J)	16	1	
34	NAS1149D0416J	.WASHER (REPLACES AN960JD416L)	16	1	
35	RG12650D	.PUMP, FUEL BOOST (ALTERNATE PARTS)	2		A
35	164A176	.PUMP, FUEL BOOST (REPLACED BY 164A204)	2		
35	164A204	.PUMP, FUEL BOOST (REPLACES 164A176) (REPLACED . . . BY 206-062-673-001)	2		
35	206-062-673-001	.PUMP, FUEL BOOST (NOTE 1) (REPLACES 164A204) (REPLACED BY 206-062-681-101)	2		
35	206-062-673-003	.PUMP, FUEL BOOST (REPLACED BY 206-062-681-101) . .	2		
35	206-062-681-101	.PUMP, FUEL BOOST (COMPLY WITH TB 206-82-60) (REPLACES 206-062-673-001 AND -003)	2	1	
36	102A10001-23	..PACKING, PREFORMED (USBL ON 206-062-681-101) . . . (ALTERNATE PART)	1		
36	MS29513-033	..PACKING, PREFORMED (USBL ON 206-062-681-101) . . .	1	1	
37	102A10001-11	..PACKING, PREFORMED (USBL ON 206-062-681-101) . . . (ALTERNATE PART)	2		
37	MS29513-034	..PACKING, PREFORMED (USBL ON 206-062-681-101) . . .	2	1	
38	2C27-1	..CARTRIDGE (USBL ON 206-062-681-101)	1	1	
39	MS29513-243	.PACKING, PREFORMED	2	1	
40	AN814-4DL	.PLUG (REPLACED BY AN814-4WL)	2	1	
40	AN814-4WL	.PLUG (REPLACES AN814-4DL)	2		
41	MS29512-04	.PACKING, PREFORMED	2	1	
42	7G547	.SWITCH (ALTERNATE PART)	2	1	A
42	R211C117-40	.SWITCH (REV LTR C) (REPLACED BY 211C117-40A)	2		
42	211C117-40A	.SWITCH (REPLACES R211C117-40)	2	6	

(1) INDEX NUMBER	(2) PART NUMBER	(3) ITEM NAME	(4) UNIT PER ASSY	(5) A V A I L	(6) U O C
FIGURE: 28-3. Fuel system installation (2123 thru 3566) (Cont'd)					
43	MS29512-10	.PACKING, PREFORMED	2	1	
44	AN3H13A	.BOLT	4	1	
45	AN960PD10L	.WASHER (REPLACED BY AN960JD10L)	4		
45	AN960JD10L	.WASHER (REPLACES AN960PD10L) (REPLACED BY NAS1149D0332J)	4		
45	NAS1149D0332J	.WASHER (REPLACES AN960JD10L)	4		
46	A280	.SOLENOID VALVE (ALTERNATE PARTS)	1		A
46	15780	.SOLENOID VALVE	1		
46	1100-00-1	.SOLENOID VALVE	1		
46	774300-1	.SOLENOID VALVE	1		
46	513C-3B	.SOLENOID VALVE	1		
46	65N117	.SOLENOID VALVE (REPLACED BY 200797-1)	1		
46	200797-1	.SOLENOID VALVE (REPLACES 65N117)	1		B
46	DV1368	.SOLENOID VALVE	1		
47	MS29513-121	.PACKING, PREFORMED	1	1	
48	MS27039-1-10	.SCREW	5	1	
49	AN960-10L	.WASHER (REPLACED BY NAS1149F0332P)	5		
49	NAS1149F0332P	.WASHER (REPLACES AN960-10L)	5		
50	EA470B3588	.TANK UNIT	1	1	
51	EA47145	.GASKET (ALTERNATE PART)	1		
51	206-061-671-001	.GASKET	1	1	
52	206-061-672-001	.DOUBLER	1	1	
53	MS27039-1-10	.SCREW	5	1	
54	AN960-10L	.WASHER (REPLACED BY NAS1149F0332P)	5		
54	NAS1149F0332P	.WASHER (REPLACES AN960-10L)	5		
55	EA470-3587	.TANK UNIT	1	1	
56	EA47145	.GASKET (ALTERNATE PART)	1		
56	206-061-671-001	.GASKET	1	1	
57	206-061-672-001	.DOUBLER	1	1	
58	206-061-644-001	.TUBE ASSY, VENT, FUEL, TANK TO UNION	1	1	
59	MS35489-15	.GROMMET	1	1	
60	MS27039-1-11	.SCREW	4	1	
61	AN960PD10L	.WASHER (REPLACED BY AN960JD10L)	4		
61	AN960JD10L	.WASHER (REPLACES AN960PD10L) (REPLACED BY NAS1149D0332J)	4		
61	NAS1149D0332J	.WASHER (REPLACES AN960JD10L)	4		
62	206-061-651-001	.FLANGE	1	1	
63	206-061-652-001	.FITTING	1	1	
64	MS29513-123	.PACKING, PREFORMED	1	1	
65	AN806-D3	.PLUG	1	1	
66	MS29512-03	.PACKING, PREFORMED	1	1	
67	206-062-672-001	.TUBE ASSY, FUEL, VENT TO OVBD	1	1	
68	206-061-600-003	.HOSE	1		
69	AN924-8D	.NUT	1	1	
70	AN960PD1216L	.WASHER (REPLACED BY AN960JD1216L)	1		

(1) INDEX NUMBER	(2) PART NUMBER	(3) ITEM NAME	(4) UNIT PER ASSY	(5) A V A I L	(6) U O C
FIGURE: 28-3. Fuel system installation (2123 thru 3566) (Cont'd)					
70	AN960JD1216L	.WASHER (REPLACES AN960PD1216L) (REPLACED BY NAS1149D1216J)	1	1	
70	NAS1149D1216J	.WASHER (REPLACES AN960JD1216L)	1		
71	AN832-8D	.ADAPTER	1	1	
72	MS27039-4-11	.SCREW	8	1	
73	AN960PD416L	.WASHER (REPLACED BY AN960JD416L)	8		
73	AN960JD416L	.WASHER (REPLACES AN960PD416L) (REPLACED BY NAS1149D0416J)	8	1	
73	NAS1149D0416J	.WASHER (REPLACES AN960JD416L)	8	1	
74	416-474	.CAP AND ADAPTER ASSY	1	1	
75	417-20-6	..CHAIN ASSY	1	1	
76	416-50	..CAP ASSY	1	1	
77	MS29513-232	...PACKING, PREFORMED	1	1	
78	AN310-4	...NUT	1	1	
79	MS29513-010	...PACKING, PREFORMED	1	1	
80	MS29513-243	.PACKING, PREFORMED	1	1	
81	FCR49954	.FUEL CELL (76 U.S. GALLONS) (REPLACED BY 206-061-675-001)	1		A
81	206-061-675-001	.FUEL CELL (76 U.S. GALLONS) (REPLACES FCR49954) . . (ALTERNATE PART)	1	1	
81	206-061-675-005	.FUEL CELL (76 U.S. GALLONS)	1	6	
	206-061-636-001	.COVER INSTL (REPLACED BY 206-061-636-003)	1		A
	206-061-636-003	.COVER INSTL (REPLACES 206-061-636-001)	1		B
82	206-061-698-001	..COVER	1	1	
83	206-061-698-002	..COVER	1	1	
84	206-061-636-013	..FILLER	1	1	
85	206-061-636-011	..FILLER	1	1	
	206-031-138-001	SUPPORT INSTL, FULL CELL	1		
86	206-031-138-003	.SUPPORT ASSY, LH	1	1	
87	206-031-138-004	.SUPPORT ASSY, RH	1	1	
NOTE 1: WHEN USING 206-062-673-001 PUMP USE AN4H5A BOLT (3 REQD) IN LIEU OF AN4-5A (3 REQD)					
USABLE ON CODES					
CODE MODEL SERIAL NUMBER					
A 206B/BIII 2123-3386					
B 206BIII 3387-3566					
1) UNLESS A USABLE ON PART NUMBER IS LISTED IN THE ITEM NAME COLUMN; NO CODE INDICATES THE PART APPLIES TO ALL SERIAL NUMBERS.					
2) IF THE SERIAL NUMBER IS BLANK THE PART APPLIES TO ALL SERIAL NUMBERS FOR THAT MODEL.					



206A/B/B3-28-1004
C0001

Figure 28-4. Fuel system installation (3567 thru sub)

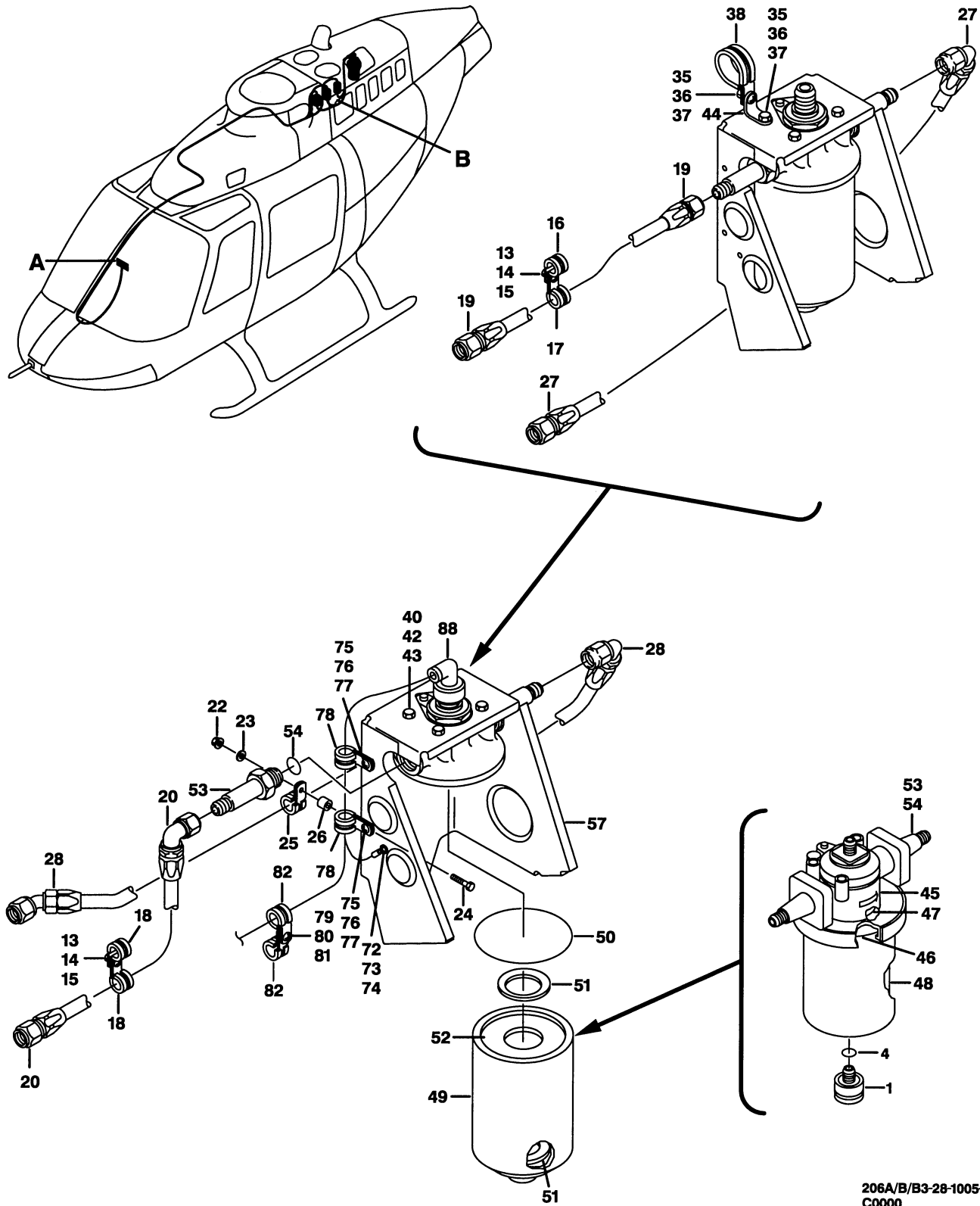
(1) INDEX NUMBER	(2) PART NUMBER	(3) ITEM NAME	(4) UNIT PER ASSY	(5) A V A I L	(6) U O C
		FIGURE: 28-4. Fuel system installation (3567 thru sub)			
	206-061-660-101	FUEL SYSTEM INSTL (SEE FIG. 6 FOR BALANCE OF BREAKDOWN)	1		
	206-061-660-105	FUEL SYSTEM INSTL (SEE FIG. 6 FOR BALANCE OF BREAKDOWN)	1		
	206-061-660-107	FUEL SYSTEM INSTL (SEE FIG. 6 FOR BALANCE OF BREAKDOWN)	1		
1	MS27039-4-13	.SCREW	10	1	
2	MS27039-4-13	.SCREW	2	1	D
3	MS27039-4-14	.SCREW	2	1	J
4	AN960JD416L	.WASHER (REPLACED BY NAS1149D0416J)	12	1	
4	NAS1149D0416J	.WASHER (REPLACES AN960JD416L)	12	1	
5	206-062-648-001	.RETAINER ASSY (NOTE 1)	1		D
6	206-062-304-101	.RETAINER (NOTE 1)	1	1	
7	206-062-660-001	.CAP AND ADAPTER (NOTE 1)	1		D
8	MS29513-232	.PACKING, PREFORMED	1	1	
9	MS29513-010	.PACKING, PREFORMED	1	1	
10	206-362-002-101	.CAP AND ADAPTER (NOTE 1)	1	1	
11	206-062-652-001	.SEAL	1	1	
12	MS29513-243	.PACKING, PREFORMED	1	1	
13	NAS6603-3	.BOLT	2	1	
14	AN960JD10L	.WASHER (REPLACED BY NAS1149D0332J)	2		
14	NAS1149D0332J	.WASHER (REPLACES AN960JD10L)	2		
15	206-061-664-101	.RETAINER	1	1	
16	AN960JD416	.WASHER (REPLACED BY NAS1149D0463J)	2		
16	NAS1149D0463J	.WASHER (REPLACES AN960JD416)	2		
17	MS21042L3	.NUT	1	1	
18	AN960JD10L	.WASHER (REPLACED BY NAS1149D0332J)	1		
18	NAS1149D0332J	.WASHER (REPLACES AN960JD10L)	1		
19	MS27039-1-18	.SCREW	1	1	C
19	MS27039-1-08	.SCREW	1	1	H
20	NAS43DD3-32N	.SPACER	1	1	
21	MS21919DGD10	.CLAMP (REPLACED BY MS21919WDG10)	1		C
21	MS21919WDG10	.CLAMP (REPLACES MS21919DGD10)	1	1	C
22	MS35489-20	.GROMMET	1	1	
23	70-061J000A244	.HOSE ASSY (REPLACED BY 70-061J000A244A)	1	1	
23	70-061J000A244A	.HOSE ASSY (REPLACES 70-061J000A244)	1		
24	AN806-D3	.PLUG	1	1	
25	MS29512-03	.PACKING, PREFORMED	1	1	
26	MS27039-1-11	.SCREW	4	1	
27	AN960JD10L	.WASHER (REPLACED BY NAS1149D0332J)	4		
27	NAS1149D0332J	.WASHER (REPLACES AN960JD10L)	4		
28	206-061-651-001	.FLANGE	1	1	
29	206-061-652-001	.FITTING	1	1	
30	MS29513-123	.PACKING, PREFORMED	1	1	
31	206-062-672-001	.TUBE ASSY, FUEL, VENT TO OVBD	1	1	
32	206-061-660-103	.HOSE	1	1	
33	AN924-8D	.NUT	1	1	
34	AN960JD1216	.WASHER (REPLACED BY NAS1149D1063J)	1	1	
34	NAS1149D1063J	.WASHER (REPLACES AN960JD1216)	1		
35	AN832-8D	.ADAPTER	1	1	

(1) INDEX NUMBER	(2) PART NUMBER	(3) ITEM NAME	(4) UNIT PER ASSY	(5) A V A I L	(6) U O C
		FIGURE: 28-4. Fuel system installation (3567 thru sub) (Cont'd)			
36	MS21919DG6	.CLAMP (REPLACED BY MS21919WDG6)	1		
36	MS21919WDG6	.CLAMP (REPLACES MS21919DG6)	1	1	
37	206-064-647-101	.TUBE ASSY, FUEL, VALVE OUTLET TO UNION (REPLACED BY 70-080H300W113 AND 110-091-7D)	1		
38	70-080H300W113	.HOSE (REPLACES 206-064-647-101) (REPLACED BY . . . 70-080H300W113A)	1	1	
38	70-080H300W113A	.HOSE (REPLACES 206-064-647-101) (REPLACES 70-080H300W113)	1		
39	110-091-7D	.ELBOW (REPLACES 206-064-647-101)	1	1	
40	AN832-6D	.UNION	1	1	
41	AN924-6D	.NUT	1	1	
42	AN960JD916L	.WASHER (REPLACED BY NAS1149D0916J)	1	1	
42	NAS1149D0916J	.WASHER (REPLACES AN960JD916L)	1		
43	206-061-452-101	.TUBE ASSY, FUEL, UNION TO ELBOW	1	0	A
43	206-062-690-101	.TUBE ASSY, FUEL, UNION TO ELBOW	1	1	G
44	MS35489-12	.GROMMET	1	1	
45	AN924-6	.NUT	1	1	
46	AN960JD916L	.WASHER (REPLACED BY NAS1149D0916J)	1	1	
46	NAS1149D0916J	.WASHER (REPLACES AN960JD916L)	1		
47	AN833-6	.ELBOW	1		
48	206-064-646-101	.TUBE ASSY, FUEL, TANK TO VALVE INLET	1	1	
49	70-080H230W153	.HOSE (REPLACED BY 70-080H230W153A)	1	1	
49	70-080H230W153A	.HOSE (REPLACES 70-080H230W153)	1		
50	MS21266-1N	.GROMMET	2	1	
51	110-091-7D	.ELBOW	1	1	
52	MS27039-1-06	.SCREW	4	1	
53	AN960JD10L	.WASHER (REPLACED BY NAS1149D0332J)	4		
53	NAS1149D0332J	.WASHER (REPLACES AN960JD10L)	4		
54	206-063-640-107	.VALVE	1	1	
		(ALTERNATE PART)			
54	206-063-640-105	.VALVE	1		
55	206-061-535-007	.TRANSDUCER (REPLACED BY BSE206-30G)	1	0	B
55	BSE206-30G	.TRANSDUCER (REPLACES 206-061-535-007)	1	1	
		(ALTERNATE PART)			
55	206-375-015-101	.TRANSDUCER	1		
56	MS29512-04	.PACKING, PREFORMED	1	1	
57	AN814-4D	.PLUG (REPLACED BY AN814-4W)	1		
57	AN814-4W	.PLUG (REPLACES AN814-4D)	1		
58	MS29512-04	.PACKING, PREFORMED	1	1	
59	70-061V000T310	.HOSE ASSY (REPLACED BY 70-061V000T310A)	1		
59	70-061V000T310A	.HOSE ASSY (REPLACES 70-061V000T310)	1		
60	AN924-12D	.NUT	1	1	
61	AN960JD1716L	.WASHER (REPLACED BY NAS1149D1716J)	1		
61	NAS1149D1716J	.WASHER (REPLACES AN960JD1716L)	1		
62	MS29512-12	.PACKING, PREFORMED	1	1	
63	206-062-665-001	.FITTING	1	1	
64	70-061V000V154	.HOSE ASSY (REPLACED BY 70-061V000V154A)	1		
64	70-061V000V154A	.HOSE ASSY (REPLACES 70-061V000V154)	1		
65	110-089-2D	.REDUCER TEE	1	1	

(1) INDEX NUMBER	(2) PART NUMBER	(3) ITEM NAME	(4) UNIT PER ASSY	(5) A V A I L	(6) U O C
FIGURE: 28-4. Fuel system installation (3567 thru sub) (Cont'd)					
66	P49-389	.VALVE (ALTERNATE PART)	2	1	
66	Z02CV10-3	.VALVE	2	6	
67	MS29512-10	.PACKING, PREFORMED	2	1	
68	MS29513-243	.PACKING, PREFORMED	2	1	
69	7G547	.SWITCH	2	1	
70	MS29512-10	.PACKING, PREFORMED	2	1	
71	AN814-4DL	.PLUG (REPLACED BY AN814-4WL)	2	1	
71	AN814-4WL	.PLUG (REPLACES AN814-4DL)	2		
72	MS29512-04	.PACKING, PREFORMED	2	1	
73	NAS6604-4	.BOLT	10	1	
74	NAS6604-4H	.BOLT (REPLACED BY NAS6604H4)	6		
74	NAS6604H4	.BOLT (REPLACES NAS6604-4H)	6	1	
75	AN960JD416L	.WASHER (REPLACED BY NAS1149D0416J)	16	1	
75	NAS1149D0416J	.WASHER (REPLACES AN960JD416L)	16	1	
76	206-062-681-101	.PUMP (COMPLY WITH TB 206-82-60)	2	1	
77	2C27-1	..CARTRIDGE (USBL ON 206-062-681-101)	1	1	
77	9A1690	..CARTRIDGE (USBL ON 206-062-681-103)	1	0	
78	102A10001-23	..PACKING, PREFORMED (USBL ON 206-062-681-101) (ALTERNATE PART)	1		
78	MS29513-033	..PACKING, PREFORMED	1	1	
79	102A10001-11	..PACKING, PREFORMED (USBL ON 206-062-681-101) (ALTERNATE PART)	2		
79	MS29513-034	..PACKING, PREFORMED	2	1	
80	MS29513-033	..PACKING, PREFORMED (USBL ON 206-062-681-103)	1	1	
81	MS29513-136	..PACKING, PREFORMED (USBL ON 206-062-681-103)	1	1	
82	NAS6203-16H	.BOLT	4	1	C
82	NAS6203-18H	.BOLT	4	1	H
83	AN960JD10L	.WASHER (REPLACED BY NAS1149D0332J)	4		
83	NAS1149D0332J	.WASHER (REPLACES AN960JD10L)	4		
84	DV-1368	.SOLENOID VALVE (ALTERNATE PART)	1	1	C
84	200797-2	.SOLENOID VALVE	1	6	
84	206-360-503-101	.SOLENOID VALVE (REPLACED BY 206-360-503-103)	1		F
84	206-360-503-103	.SOLENOID VALVE (REPLACES 206-360-503-101)	1	1	
85	MS29513-121	.PACKING, PREFORMED	1	1	C
85	MS29513-122	.PACKING, PREFORMED	1	1	H
86	MS27039-1-10	.SCREW	5	1	
87	AN960JD10L	.WASHER (REPLACED BY NAS1149D0332J)	5		
87	NAS1149D0332J	.WASHER (REPLACES AN960JD10L)	5		
88	MS27039-1-06	.SCREW	3	1	
89	AN960JD10L	.WASHER (REPLACED BY NAS1149D0332J)	3		
89	NAS1149D0332J	.WASHER (REPLACES AN960JD10L)	3		
90	EA470B-3710	.TANK UNIT (ALTERNATE PART)	1	0	
90	7740-00302	.TANK UNIT (REPLACED BY 7740-00381)	1	0	
90	7740-00381	.TANK UNIT (REPLACES 7740-00302)	1	1	
91	206-061-671-001	.GASKET (ALTERNATE PART)	1	1	

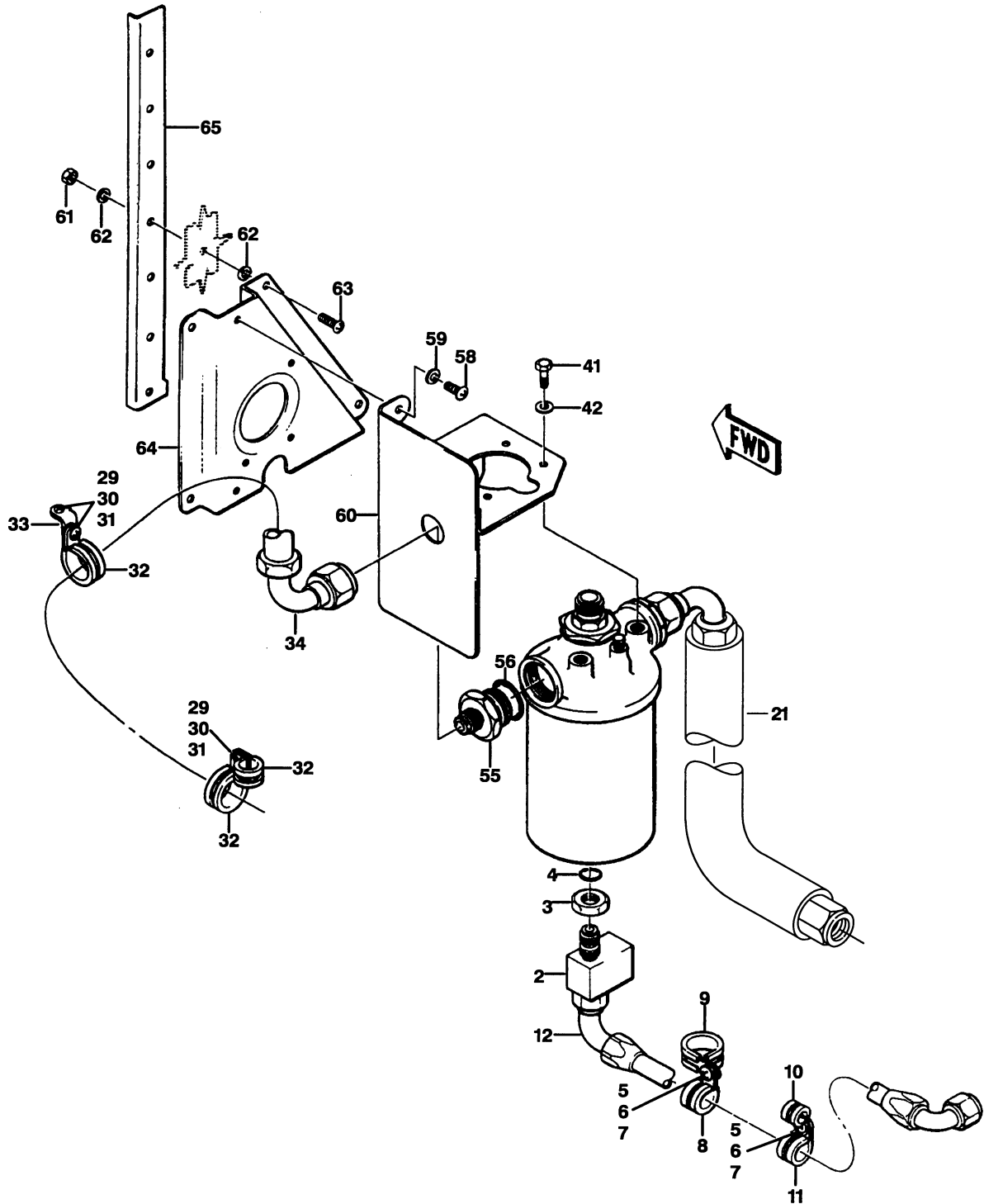
(1) INDEX NUMBER	(2) PART NUMBER	(3) ITEM NAME	(4) UNIT PER ASSY	(5) A V A I L	(6) U O C
FIGURE: 28-4. Fuel system installation (3567 thru sub) (Cont'd)					
91	EA47145	.GASKET	1		
92	206-061-672-001	.DOUBLER (NOTE 2)	1	1	
93	MS27039-1-10	.SCREW	5	1	
94	AN960JD10L	.WASHER (REPLACED BY NAS1149D0332J)	5		
94	NAS1149D0332J	.WASHER (REPLACES AN960JD10L)	5		
95	206-061-672-001	.DOUBLER (NOTE 2)	1	1	
96	206-061-671-001	.GASKET	1	1	
(ALTERNATE PART)					
96	EA47145	.GASKET	1		
97	MS27039-1-06	.SCREW	3	1	
98	AN960JD10L	.WASHER (REPLACED BY NAS1149D0332J)	3		
98	NAS1149D0332J	.WASHER (REPLACES AN960JD10L)	3		
99	EA470-3709	.TANK UNIT	1	6	
(ALTERNATE PART)					
99	7740-00303	.TANK UNIT	1	1	
100	100-046S24B1	.PLUG BUTTON	1	6	
101	MS27039-1-07	.SCREW	4	1	
102	AN960JD10L	.WASHER (REPLACED BY NAS1149D0332J)	4		
102	NAS1149D0332J	.WASHER (REPLACES AN960JD10L)	4		
103	206-061-661-101	.FUEL CELL ASSY (93 U.S. GALLONS)	1		
(ALTERNATE PART)					
103	206-061-661-103	.FUEL CELL ASSY (93 U.S. GALLONS)	1	1	
	206-061-636-101	.COVER INSTL	1		
104	206-061-698-001	..COVER, LH	1	1	E
104	206-061-698-101	..COVER, LH	1	1	K
105	206-061-698-002	..COVER, RH	1	1	E
105	206-061-698-102	..COVER, RH	1	1	K
106	206-061-636-013	..FILLER	1	1	
107	206-061-636-011	..FILLER	1	1	
	206-031-138-001	SUPPORT INSTL	1		
108	206-031-138-003	.SUPPORT ASSY, LH	1	1	
109	206-031-138-004	.SUPPORT ASSY, RH	1	1	
<p>NOTE 1: FOR SPARES REPLACEMENT OF 206-062-660-001 CAP AND ADAPTER AND 206-062-648-001 RETAINER AS A UNIT, USE 206-362-002-101 CAP AND ADAPTER AND 206-062-304-101 RETAINER AS A UNIT</p> <p>NOTE 2: OMIT P/N 206-061-672-001 DOUBLER WHEN P/N 7740-00302 IS INSTALLED.</p>					

(1) INDEX NUMBER	(2) PART NUMBER	(3) ITEM NAME	(4) UNIT PER ASSY	(5) A V A I L	(6) U O C																																	
		<p>FIGURE: 28-4. Fuel system installation (3567 thru sub) (Cont'd)</p> <p style="text-align: center;">USABLE ON CODES</p> <table border="0" style="margin-left: auto; margin-right: auto;"> <thead> <tr> <th style="text-align: left;">CODE</th> <th style="text-align: left;">MODEL</th> <th style="text-align: left;">SERIAL NUMBER</th> </tr> </thead> <tbody> <tr><td>A</td><td>206B3</td><td>3567-3784</td></tr> <tr><td>B</td><td>206B3</td><td>3567-3927</td></tr> <tr><td>C</td><td>206B3</td><td>3567-4052</td></tr> <tr><td>D</td><td>206B3</td><td>3567-4317</td></tr> <tr><td>E</td><td>206B3</td><td>3567-4453</td></tr> <tr><td>F</td><td>206B3</td><td>4053-4117</td></tr> <tr><td>G</td><td>206B3</td><td>3785-SUB</td></tr> <tr><td>H</td><td>206B3</td><td>4053-SUB</td></tr> <tr><td>J</td><td>206B3</td><td>4318-SUB</td></tr> <tr><td>K</td><td>206B3</td><td>4454-SUB</td></tr> </tbody> </table> <p>1) UNLESS A USABLE ON PART NUMBER IS LISTED IN THE ITEM NAME COLUMN; NO CODE INDICATES THE PART APPLIES TO ALL SERIAL NUMBERS.</p> <p>2) IF THE SERIAL NUMBER IS BLANK THE PART APPLIES TO ALL SERIAL NUMBERS FOR THAT MODEL.</p>	CODE	MODEL	SERIAL NUMBER	A	206B3	3567-3784	B	206B3	3567-3927	C	206B3	3567-4052	D	206B3	3567-4317	E	206B3	3567-4453	F	206B3	4053-4117	G	206B3	3785-SUB	H	206B3	4053-SUB	J	206B3	4318-SUB	K	206B3	4454-SUB			
CODE	MODEL	SERIAL NUMBER																																				
A	206B3	3567-3784																																				
B	206B3	3567-3927																																				
C	206B3	3567-4052																																				
D	206B3	3567-4317																																				
E	206B3	3567-4453																																				
F	206B3	4053-4117																																				
G	206B3	3785-SUB																																				
H	206B3	4053-SUB																																				
J	206B3	4318-SUB																																				
K	206B3	4454-SUB																																				



206A/B/B3-28-1005-1
C0000

Figure 28-5. Fuel filter kit (Sheet 1 of 3)



206A/B/B3-28-1005-2
C0000

Figure 28-5. Fuel filter kit (Sheet 2)

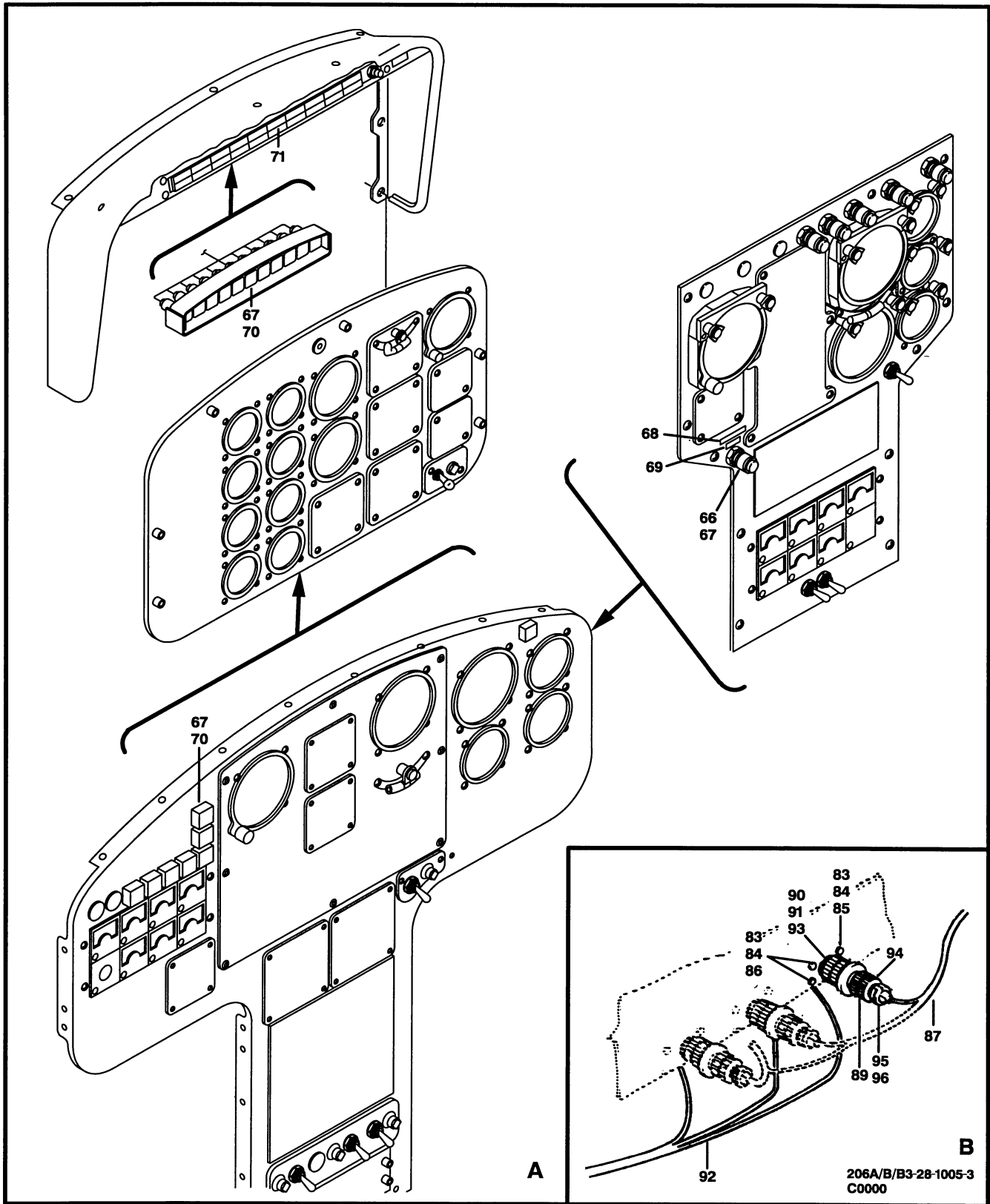


Figure 28-5. Fuel filter kit (Sheet 3)

(1) INDEX NUMBER	(2) PART NUMBER	(3) ITEM NAME	(4) UNIT PER ASSY	(5) A V A I L	(6) U O C
		FIGURE: 28-5. Fuel filter kit			
	206-706-603-001	FUEL FILTER KIT (SEE SI 206-65 FOR S/N EFF) (MOD . . .	1		
	206-706-603-003	BY 206-703-002 SEE TB 206-81-55) (NOTE 1) FUEL FILTER KIT (SEE SI 206-65 FOR S/N EFF) (MOD . . .	1	1	
		BY 206-703-002 SEE TB 206-81-55)			
1	MS29528-4	.VALVE (PRE MOD) (REPLACED BY 49F9798-52)	1	1	
1	49F9798-52	.VALVE (PRE MOD) (REPLACES MS29528-4)	1	0	
2	206-061-634-003	.DRAIN VALVE (POST MOD) (USBL ON	1	1	
		206-703-002-103)			
3	AN924-4D	.NUT (POST MOD) (USBL ON 206-703-002-103)	1	1	
4	MS29512-04	.PACKING, PREFORMED	1	1	
5	MS21042L3	.NUT (POST MOD) (USBL ON 206-703-002-105)	2	1	
6	AN960PD10	.WASHER (POST MOD) (USBL ON 206-703-002-105)	4		
		(REPLACED BY AN960JD10)			
6	AN960JD10	.WASHER (POST MOD) (USBL ON 206-703-002-105)	4		
		(REPLACES AN960PD10) (REPLACED BY			
		NAS1149D0363J)			
6	NAS1149D0363J	.WASHER (POST MOD) (USBL ON 206-703-002-105)	4		
		(REPLACES AN960JD10)			
7	MS27039-1-07	.SCREW (POST MOD) (USBL ON 206-703-002-105)	2	1	
8	MS21919DG8	.CLAMP (POST MOD) (USBL ON 206-703-002-105)	1		
		(REPLACED BY MS21919WDG8)			
8	MS21919WDG8	.CLAMP (POST MOD) (USBL ON 206-703-002-105)	1	1	
		(REPLACES MS21919DG8)			
9	MS21919DG12	.CLAMP (POST MOD) (USBL ON 206-703-002-105)	1		
		(REPLACED BY MS21919WDG12)			
9	MS21919WDG12	.CLAMP (POST MOD) (USBL ON 206-703-002-105)	1	1	
		(REPLACES MS21919DG12)			
10	MS21919DG3	.CLAMP (POST MOD) (USBL ON 206-703-002-105)	1		
		(REPLACED BY MS21919WDG3)			
10	MS21919WDG3	.CLAMP (POST MOD) (USBL ON 206-703-002-105)	1	1	
		(REPLACES MS21919DG3)			
11	MS21919DG7	.CLAMP (POST MOD) (USBL ON 206-703-002-105)	1		
		(REPLACED BY MS21919WDG7)			
11	MS21919WDG7	.CLAMP (POST MOD) (USBL ON 206-703-002-105)	1	1	
		(REPLACES MS21919DG7)			
12	AE705973-1	.HOSE ASSY (POST MOD) (USBL ON 206-703-002-105)	1	1	
13	MS21042L3	.NUT (PRE MOD)	2	1	
14	AN960PD10	.WASHER (PRE MOD) (REPLACED BY AN960JD10)	2		
14	AN960JD10	.WASHER (PRE MOD) (REPLACES AN960PD10) (REPLACED	2		
		BY NAS1149D0363J)			
14	NAS1149D0363J	.WASHER (PRE MOD) (REPLACES AN960JD10)	2		
15	MS27039-1-09	.SCREW (PRE MOD)	2	1	
16	MS21919DG8	.CLAMP (PRE MOD) (USBL ON 206-706-603-001)	1		
		(REPLACED BY MS21919WDG8)			
16	MS21919WDG8	.CLAMP (PRE MOD) (USBL ON 206-706-603-001)	1	1	
		(REPLACES MS21919DG8)			
17	MS21919DG12	.CLAMP (PRE MOD) (USBL ON 206-706-603-001)	1		
		(REPLACED BY MS21919WDG12)			
17	MS21919WDG12	.CLAMP (PRE MOD) (USBL ON 206-706-603-001)	1	1	
		(REPLACES MS21919DG12)			

(1) INDEX NUMBER	(2) PART NUMBER	(3) ITEM NAME	(4) UNIT PER ASSY	(5) A V A I L	(6) C O O C
		FIGURE: 28-5. Fuel filter kit (Cont'd)			
18	MS21919DG14	.CLAMP (PRE MOD) (USBL ON 206-706-603-003) (REPLACED BY MS21919WDG14)	2		
18	MS21919WDG14	.CLAMP (PRE MOD) (USBL ON 206-706-603-003) (REPLACES MS21919DG14)	2	1	
19	70-009H000A265	.HOSE ASSY (PRE MOD) (USBL ON 206-706-603-001) . . .	1		
20	70-009H000V320	.HOSE ASSY (PRE MOD) (USBL ON 206-706-603-003) . . . (REPLACED BY 70-009H000V320A)	1	0	
20	70-009H000V320A	.HOSE ASSY (PRE MOD) (USBL ON 206-706-603-003) . . . (REPLACES 70-009H000V320)	1		
21	70-009H300C180	.HOSE ASSY (POST MOD) (USBL ON 206-703-002-103) . . (REPLACED BY 70-009H300C180A)	1	0	
21	70-009H300C180A	.HOSE ASSY (POST MOD) (USBL ON 206-703-002-103) . . (REPLACES 70-009H300C180)	1		
22	MS21042L3	.NUT (PRE MOD) (USBL ON 206-706-603-003)	1	1	
23	AN960PD10	.WASHER (PRE MOD) (USBL ON 206-706-603-003) (REPLACED BY AN960JD10)	2		
23	AN960JD10	.WASHER (PRE MOD) (USBL ON 206-706-603-003) (REPLACES AN960PD10) (REPLACED BY NAS1149D0363J)	2		
23	NAS1149D0363J	.WASHER (PRE MOD) (USBL ON 206-706-603-003) (REPLACES AN960JD10)	2		
24	AN3-10A	.BOLT (PRE MOD) (USBL ON 206-706-603-003)	1	1	
25	MS21919DG14	.CLAMP (PRE MOD) (USBL ON 206-706-603-003) (REPLACED BY MS21919WDG14)	1		
25	MS21919WDG14	.CLAMP (PRE MOD) (USBL ON 206-706-603-003) (REPLACES MS21919DG14)	1	1	
26	NAS43DD3-40	.SPACER (PRE MOD) (USBL ON 206-706-603-003) (REPLACED BY NAS43DD3-40N)	1		
26	NAS43DD3-40N	.SPACER (PRE MOD) (USBL ON 206-706-603-003) (REPLACES NAS43DD3-40)	1	1	
27	70-009H000V200	.HOSE ASSY (PRE MOD) (USBL ON 206-706-603-001) . . .	1	0	
28	70-009H07SW204	.HOSE ASSY (PRE MOD) (USBL ON 206-706-603-003) . . .	1		
29	MS21042L3	.NUT (POST MOD) (USBL ON 206-703-002-105)	3	1	
30	AN960PD10	.WASHER (POST MOD) (USBL ON 206-703-002-105) (REPLACED BY AN960JD10)	6		
30	AN960JD10	.WASHER (POST MOD) (USBL ON 206-703-002-105) (REPLACES AN960PD10) (REPLACED BY NAS1149D0363J)	6		
30	NAS1149D0363J	.WASHER (POST MOD) (USBL ON 206-703-002-105) (REPLACES AN960JD10)	6		
31	MS27039-1-07	.SCREW (POST MOD) (USBL ON 206-703-002-105)	3	1	
32	MS21919DG13	.CLAMP (POST MOD) (USBL ON 206-703-002-105) (REPLACED BY MS21919WDG13)	3		
32	MS21919WDG13	.CLAMP (POST MOD) (USBL ON 206-703-002-105) (REPLACES MS21919DG13)	3	1	
33	20-032-1C	.BRACKET (POST MOD) (USBL ON 206-703-002-103)	1	1	
34	70-009H180C480	.HOSE ASSY (POST MOD) (USBL ON 206-703-002-105) . . (REPLACED BY 70-009H180C480A)	1		
34	70-009H180C480A	.HOSE ASSY (POST MOD) (USBL ON 206-703-002-105) . . (REPLACES 70-009H180C480)	1		

(1) INDEX NUMBER	(2) PART NUMBER	(3) ITEM NAME	(4) UNIT PER ASSY	(5) A V A I L	(6) U O C
		FIGURE: 28-5. Fuel filter kit (Cont'd)			
35	MS21042L3	.NUT (PRE MOD) (USBL ON 206-706-603-001)	1	1	
36	AN960PD10	.WASHER (PRE MOD) (USBL ON 206-706-603-001) (REPLACED BY AN960JD10)	1		
36	AN960JD10	.WASHER (PRE MOD) (USBL ON 206-706-603-001) (REPLACES AN960PD10) (REPLACED BY NAS1149D0363J)	1		
36	NAS1149D0363J	.WASHER (PRE MOD) (USBL ON 206-706-603-001) (REPLACES AN960JD10)	1		
37	MS27039-1-06	.SCREW (PRE MOD) (USBL ON 206-706-603-001)	1	1	
38	MS21919DG20	.CLAMP (PRE MOD) (USBL ON 206-706-603-001) (REPLACED BY MS21919WDG20)	1		
38	MS21919WDG20	.CLAMP (PRE MOD) (USBL ON 206-706-603-001) (REPLACES MS21919DG20)	1	1	
39	AN4H7A	.BOLT (PRE MOD) (USBL ON 206-706-603-001)	3	1	
40	NAS6204-5H	.BOLT (PRE MOD) (USBL ON 206-706-603-003)	3	1	
41	NAS6204-5H	.BOLT (POST MOD) (USBL ON 206-703-002-103)	3	1	
42	AN960PD416	.WASHER (REPLACED BY AN960JD416)	3		
42	AN960JD416	.WASHER (REPLACES AN960PD416) (REPLACED BY NAS1149D0463J)	3		
42	NAS1149D0463J	.WASHER (REPLACES AN960JD416)	3		
43	NAS43DD4-31	.SPACER (PRE MOD) (USBL ON 206-706-603-001 AND -003)	3		
44	20-032-2	.BRACKET (PRE MOD) (USBL ON 206-706-603-001)	1	1	
45	52-2889-016A	.FILTER ASSY, FUEL (REPLACED BY 306001)	1		
46	MS29513-153	..PACKING, PREFORMED	1	1	
47	NAS1593-020	..PACKING, PREFORMED	2	1	
48	52-01103-1	..ELEMENT ASSY	1	1	
49	306001	.FILTER ASSY, FUEL (REPLACES 52-2889-016A) (REPLACED BY 222-366-621-001)	1		
49	222-366-621-001	.FILTER ASSY, FUEL (REPLACES 306001) (ALTERNATE PART)	1		
49	222-366-621-003	.FILTER ASSY, FUEL (REPLACED BY 222-366-621-101)	1	0	
49	222-366-621-101	.FILTER ASSY, FUEL (REPLACES 222-366-621-003)	1	1	
50	MS29513-238	..PACKING, PREFORMED (NOTE 2)	1	1	
51	306023	..GASKET (USBL ON 306001)	2	6	
51	222-366-644-001	..SEAL (NOTE 2) (USBL ON 222-366-621-001, -003 AND -101)	2	1	
52	KD651510	..FILTER PARTS KIT (USBL ON 306001) (REPLACED BY KD651511)	1		
52	KD651511	..KIT, ELEMENT (USBL ON 306001) (REPLACES KD651510)	1	1	
52	222-366-643-001	..ELEMENT (NOTE 2) (USBL ON 222-366-621-001, -003 AND -101)	1	0	
53	306018	..FITTING (USBL ON 306001)	2		
53	222-366-652-005	..FITTING	2	1	
54	MS29512-12	..PACKING, PREFORMED (USBL ON 306001)	2	1	
55	222-366-652-003	..FITTING (POST MOD) (USBL ON 206-703-002-103)	2	1	
56	MS29512-12	..PACKING, PREFORMED	2	1	
57	206-061-681-001	.BRACKET ASSY (PRE MOD) (USBL ON 206-706-603-001)	1	1	

(1) INDEX NUMBER	(2) PART NUMBER	(3) ITEM NAME	(4) UNIT PER ASSY	(5) A V A I L	(6) U O C
		FIGURE: 28-5. Fuel filter kit (Cont'd)			
57	206-061-681-002	.BRACKET ASSY (PRE MOD) (USBL ON 206-706-603-003)	1	1	
58	MS27039-1-10	.SCREW (POST MOD) (USBL ON 206-703-002-103)	5	1	
59	AN960PD10L	.WASHER (POST MOD) (USBL ON 206-703-002-103) (REPLACED BY AN960JD10L)	5		
59	AN960JD10L	.WASHER (POST MOD) (USBL ON 206-703-002-103) (REPLACES AN960PD10L) (REPLACED BY NAS1149D0332J)	5		
59	NAS1149D0332J	.WASHER (POST MOD) (USBL ON 206-703-002-103) (REPLACES AN960JD10L)	5		
60	206-062-684-101	.BRACKET ASSY (POST MOD) (USBL ON 206-703-002-103)	1	1	
61	MS21042L3	.NUT (POST MOD) (USBL ON 206-703-002-107)	4	1	
62	AN960PD10L	.WASHER (POST MOD) (USBL ON 206-703-002-107) (REPLACED BY AN960JD10L)	8		
62	AN960JD10L	.WASHER (POST MOD) (USBL ON 206-703-002-107) (REPLACES AN960PD10L) (REPLACED BY NAS1149D0332J)	8		
62	NAS1149D0332J	.WASHER (POST MOD) (USBL ON 206-703-002-107) (REPLACES AN960JD10L)	8		
63	MS27039-1-12	.SCREW (POST MOD) (USBL ON 206-703-002-107)	4	1	
64	206-062-901-103	.SUPPORT ASSY (POST MOD) (USBL ON 206-703-002-107)	1	1	
65	206-062-901-214	.DOUBLER (POST MOD) (USBL ON 206-703-002-107)	1		
	206-075-345-001	.ELECTRICAL INSTL (USBL ON 206-706-603-001)	1		
	206-075-345-003	.ELECTRICAL INSTL (USBL ON 206-706-603-003)	1		
66	MS25041-4	..INDICATOR LIGHT	1	1	
67	MS25237-327	..LAMP (REPLACED BY M6363/8-5)	1		
67	M6363/8-5	..LAMP (REPLACES MS25237-327)	1		
68	206-075-505-001	..DECAL (A/F FUEL)	1	1	
69	206-075-505-003	..DECAL (FILTER)	1	1	
70	SW40352-10	..LIGHT	1	1	
71	25-0195-1751	..LENS	1	1	
72	NAS679A3	..NUT (REPLACED BY MS21042L3)	1		
72	MS21042L3	..NUT (REPLACES NAS679A3)	1	1	
73	AN960PD10L	..WASHER (REPLACED BY AN960JD10L)	3		
73	AN960JD10L	..WASHER (REPLACES AN960PD10L) (REPLACED BY NAS1149D0332J)	3		
73	NAS1149D0332J	..WASHER (REPLACES AN960JD10L)	3		
74	AN520-10R8	..SCREW (USBL ON 206-075-345-001) (REPLACED BY MS35207-263)	1		
74	MS35207-263	..SCREW (USBL ON 206-075-345-001) (REPLACES AN520-10R8)	1	1	
74	MS35207-263	..SCREW (USBL ON 206-075-345-003)	1	1	
75	NAS679A3	..NUT (REPLACED BY MS21042L3)	2		
75	MS21042L3	..NUT (REPLACES NAS679A3)	2	1	
76	AN960PD10L	..WASHER (REPLACED BY AN960JD10L)	2		
76	AN960JD10L	..WASHER (REPLACES AN960PD10L) (REPLACED BY NAS1149D0332J)	2		
76	NAS1149D0332J	..WASHER (REPLACES AN960JD10L)	2		

(1) INDEX NUMBER	(2) PART NUMBER	(3) ITEM NAME	(4) UNIT PER ASSY	(5) A V A I L	(6) U O C
		FIGURE: 28-5. Fuel filter kit (Cont'd)			
77	AN520-10R8	.. SCREW (USBL ON 206-075-345-001) (REPLACED BY . . . MS35207-263)	2		
77	MS35207-263	.. SCREW (USBL ON 206-075-345-001) (REPLACES AN520-10R8)	2	1	
77	MS35207-263	.. SCREW (USBL ON 206-075-345-003)	2	1	
78	MS21919H3	.. CLAMP (REPLACED BY MS21919WCH3)	2		
78	MS21919WCH3	.. CLAMP (REPLACES MS21919H3)	2	1	
79	MS21042L3	.. NUT (USBL ON 206-075-345-003)	1	1	
80	AN960PD10L	.. WASHER (USBL ON 206-075-345-003) (REPLACED BY . . AN960JD10L)	1		
80	AN960JD10L	.. WASHER (USBL ON 206-075-345-003) (REPLACES AN960PD10L) (REPLACED BY NAS1149D0332J)	1		
80	NAS1149D0332J	.. WASHER (USBL ON 206-075-345-003) (REPLACES AN960JD10L)	1		
81	MS35207-261	.. SCREW (USBL ON 206-075-345-003)	1	1	
82	MS21919DG2	.. CLAMP (USBL ON 206-075-345-003) (REPLACED BY . . . MS21919WDG2)	2		
82	MS21919WDG2	.. CLAMP (USBL ON 206-075-345-003) (REPLACES MS21919DG2)	2	1	
83	NAS679A06	.. NUT (NOTE 3) (REPLACED BY MS21042L06)	4	1	
83	MS21042L06	.. NUT (NOTE 3) (REPLACES NAS679A06)	4	1	
84	AN960PD6L	.. WASHER (NOTE 3) (REPLACED BY AN960JD6L)	4		
84	AN960JD6L	.. WASHER (NOTE 3) (REPLACES AN960PD6L) (REPLACED . BY NAS1149DN616J)	4	1	
84	NAS1149DN616J	.. WASHER (NOTE 3) (REPLACES AN960JD6L)	4	1	
85	AN500A6-8	.. SCREW (NOTE 3) (USBL ON 206-075-345-001) (REPLACED BY MS35265-30)	1		
85	MS35265-30	.. SCREW (NOTE 3) (USBL ON 206-075-345-001) (REPLACES AN500A6-8)	1	1	
86	MS35206-230	.. SCREW (NOTE 3)	3	1	
87	206-075-373-021	.. CABLE ASSY (USBL ON 206-075-345-001)	1		
87	206-075-373-025	.. CABLE ASSY (USBL ON 206-075-345-003)	1		
88	CA3108ER125-3S	.. CONNECTOR (REFERENCE DESIGNATOR P187)	1		
89	MS3106R14S-5P	.. CONNECTOR (USBL ON 206-075-373-021) (REPLACED BY 30-051R14S-5P) (REFERENCE DESIGNATOR P175)	1		
89	30-051R14S-5P	.. CONNECTOR (REPLACES MS3106R14S-5P) (REFERENCE DESIGNATOR P175)	1		
90	MS3106R14S-5P	.. CONNECTOR (USBL ON 206-075-345-003) (REPLACED . . BY 30-051R14S-5P) (REFERENCE DESIGNATOR P175)	1		
90	30-051R14S-5P	.. CONNECTOR (NOTE 4) (REPLACES MS3106R14S-5P) . . . (REPLACED BY MS3456W14S-5P) (REFERENCE DESIGNATOR P175)	1		
90	MS3456W14S-5P	.. CONNECTOR (NOTE 4) (REPLACES 30-051R14S-5P) . . . (REFERENCE DESIGNATOR P175)	1	1	
91	MS3416-14EN	.. BACKSHELL (NOTE 4) (REPLACED BY M85049/31-14W) . .	1		
91	M85049/31-14W	.. BACKSHELL (NOTE 4) (REPLACES MS3416-14EN)	1	1	
92	206-075-373-013	.. CABLE ASSY (USBL ON 206-075-345-001)	1		
92	206-075-373-027	.. CABLE ASSY (USBL ON 206-075-345-003)	1		

(1) INDEX NUMBER	(2) PART NUMBER	(3) ITEM NAME	(4) UNIT PER ASSY	(5) A V A I L	(6) U O C
		FIGURE: 28-5. Fuel filter kit (Cont'd)			
93	MS3100K14S-5S	...CONNECTOR (USBL ON 206-075-373-013) (REPLACED BY 30-049K14S-5S) (REFERENCE DESIGNATOR J175)	1		
93	30-049K14S-5S	...CONNECTOR (REPLACES MS3100K14S-5S) (REFERENCE DESIGNATOR J175)	1		
94	MS3100K14S-5S	..CONNECTOR (NOTE 5) (USBL ON 206-075-345-003) . . . (REPLACED BY MS3450KT14S-5S) (REFERENCE DESIGNATOR J175)	1		
94	MS3450KT14S-5S	..CONNECTOR (NOTE 5) (REPLACES MS3100K14S-5S) . . . (REFERENCE DESIGNATOR J175)	1	1	
95	MS3416-14EN	..BACKSHELL (NOTE 5) (REPLACED BY M85049/31-14W) . .	1		
95	M85049/31-14W	..BACKSHELL (NOTE 5) (REPLACES MS3416-14EN)	1	1	
96	MS35265-30	..SCREW (USBL ON 206-075-345-003)	1	1	
		NOTE 1: REPLACED BY 206-706-603-003 FILTER KIT FOR HELICOPTER WITH 2500-C18 ENGINE EXCEPT THOSE WITH FIRE DETECTOR KIT INSTALLED			
		NOTE 2: PART NUMBER KD651510 ELEMENT KIT MAY BE ORDERED FOR ELEMENT REPLACEMENT IN 306001 FILTER ASSY			
		NOTE 3: PART NOT REQUIRED FOR SHIP SERIAL NO. 254 THRU SUB			
		NOTE 4: MS3450KT14S-5S CONNECTOR AND MS3416-14EN BACKSHELL AS A UNIT ARE AN ALTERNATE FOR MS3100KT14S-5S			
		NOTE 5: MS3456W14S-5P CONNECTOR AND MS3416-14EN BACKSHELL AS A UNIT ARE ALTERNATES FOR 30-051R14S-5P			

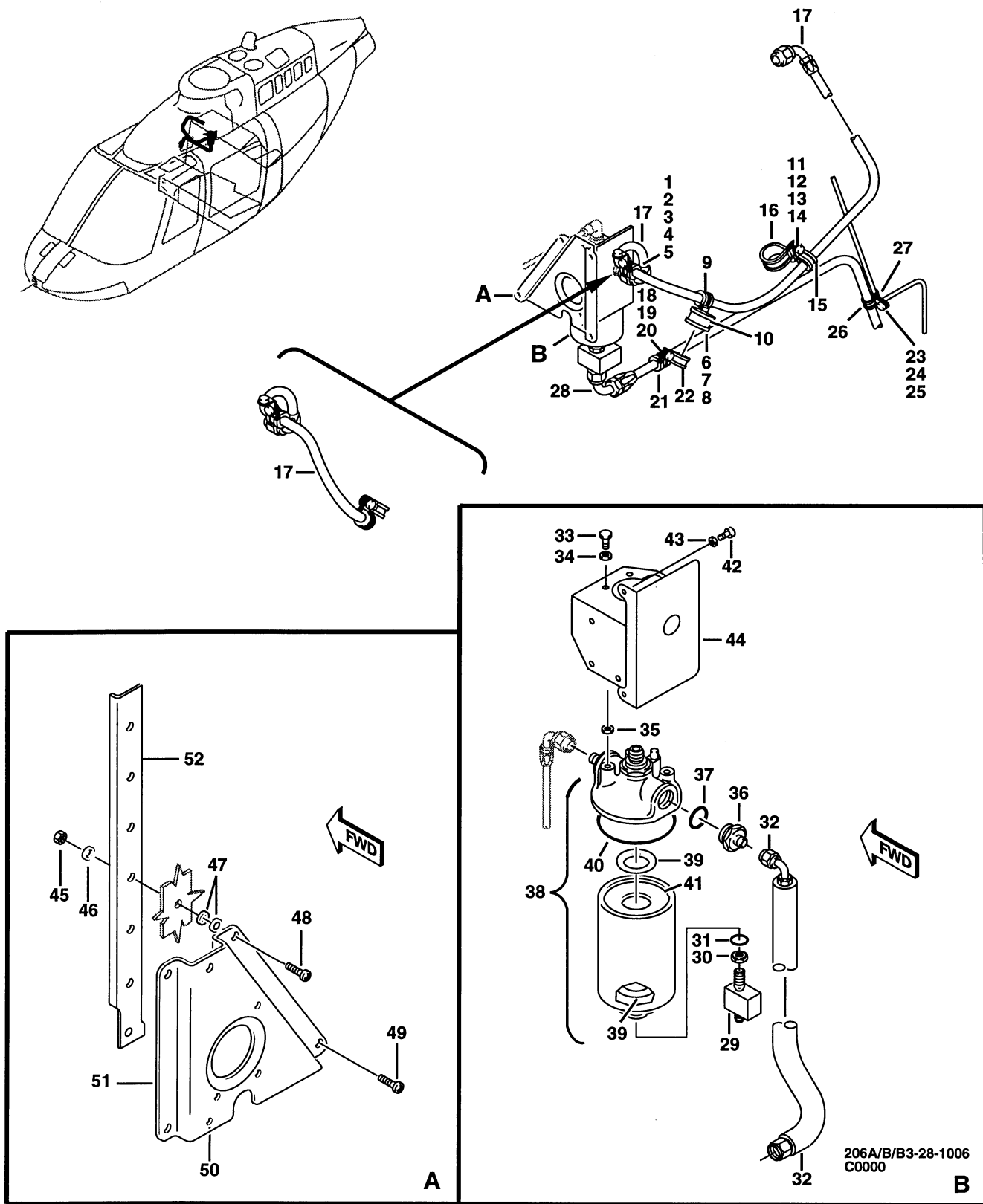


Figure 28-6. Fuel system installation (3387-SUB)

(1) INDEX NUMBER	(2) PART NUMBER	(3) ITEM NAME	(4) UNIT PER ASSY	(5) A V A I L	(6) U O C
		FIGURE: 28-6. Fuel system installation (3387-SUB)			
1	MS21042L3	NUT	2		
2	AN960PD10L	WASHER (REPLACED BY AN960JD10L)	2		
2	AN960JD10L	WASHER (REPLACES AN960PD10L)	2		
3	20-032-1C	BRACKET	1		
4	MS27039-1-07	SCREW	2		
5	MS21919DG13	CLAMP (REPLACED BY MS21919WDG13)	1		
5	MS21919WDG13	CLAMP (REPLACES MS21919DG13)	1		
6	MS21042L3	NUT	1		
7	AN960PD10L	WASHER (REPLACED BY AN960JD10L)	2		
7	AN960JD10L	WASHER (REPLACES AN960PD10L)	2		
8	MS27039-1-08	SCREW	1		
9	MS21122W-14	CLAMP	1		
10	MS21919WCH21	CLAMP	1		
11	MS21042-L3	NUT	1		
12	AN960PD10L	WASHER (REPLACED BY AN960JD10L)	2		
12	AN960JD10L	WASHER (REPLACES AN960PD10L)	2		
13	NAS43DD3-96	SPACER (REPLACED BY NAS43DD3-96N)	1		
13	NAS43DD3-96N	SPACER (REPLACES NAS43DD3-96)	1		
14	MS27039-1-34	SCREW	1		
15	MS21122W-14	CLAMP	2		
16	MS21919WCH21	CLAMP	1		
17	70-009H180C480	HOSE ASSY (REPLACED BY 70-009H180C480A)	1		
17	70-009H180C480A	HOSE ASSY (REPLACES 70-009H180C480)	1		
18	MS21042L3	NUT	1		
19	AN960PD10L	WASHER (REPLACED BY AN960JD10L)	1		
19	AN960JD10L	WASHER (REPLACES AN960PD10L)	1		
20	MS27039-1-07	SCREW	1		
21	MS21919DG7	CLAMP (REPLACED BY MS21919WDG7)	1		
21	MS21919WDG7	CLAMP (REPLACES MS21919DG7)	1		
22	MS21919DG10	CLAMP (REPLACED BY MS21919WDG10)	1		
22	MS21919WDG10	CLAMP (REPLACES MS21919DG10)	1		
23	MS21042L3	NUT	1		
24	AN960PD10L	WASHER (REPLACED BY AN960JD10L)	2		
24	AN960JD10L	WASHER (REPLACES AN960PD10L)	2		
25	MS27039-1-07	SCREW	1		
26	MS21919DG7	CLAMP (REPLACED BY MS21919WDG7)	1		
26	MS21919WDG7	CLAMP (REPLACES MS21919DG7)	1		
27	MS21919DG3	CLAMP (REPLACED BY MS21919WDG3)	1		
27	MS21919WDG3	CLAMP (REPLACES MS21919DG3)	1		
28	AE705973-1	HOSE ASSY	1		
	206-061-600-101	FUEL SYSTEM INSTL (SEE FIG. 3 FOR BALANCE OF BREAKDOWN)	REF		
	206-061-660-101	FUEL SYSTEM INSTL (SEE FIG. 4 FOR BALANCE OF BREAKDOWN)	REF		
	206-061-660-105	FUEL SYSTEM INSTL (SEE FIG. 4 FOR BALANCE OF BREAKDOWN)	REF		
	206-061-660-107	FUEL SYSTEM INSTL (SEE FIG. 4 FOR BALANCE OF BREAKDOWN)	REF		
29	206-061-634-003	.DRAIN VALVE	1		
30	AN924-4D	.NUT	1		

(1) INDEX NUMBER	(2) PART NUMBER	(3) ITEM NAME	(4) UNIT PER ASSY	(5) A V A I L	(6) U O C
FIGURE: 28-6. Fuel system installation (3387-SUB) (Cont'd)					
31	MS29512-04	.PACKING, PREFORMED	1		
32	70-009H300C180	.HOSE ASSY (REPLACED BY 70-009H300C180A)	1		
32	70-009H300C180A	.HOSE ASSY (REPLACES 70-009H300C180)	1		
33	NAS6204-5H	.BOLT (USBL ON 206-061-600-101)	3		
33	NAS6204-2H	.BOLT (USBL ON 206-061-660-101, -105 AND -107) . . .	3		
34	AN960PD416	.WASHER (REPLACED BY AN960JD416) (USBL ON 206-061-600-101)	3		
34	AN960JD416	.WASHER (REPLACES AN960PD416) (USBL ON 206-061-600-101)	3		
34	AN960JD416L	.WASHER (USBL ON 206-061-660-101, -105 AND -107) . .	3		
35	AN960JD416	.WASHER (USBL ON 206-061-660-101, -105 AND -107) . .	3		
36	222-366-652-003	.FITTING	2		
37	MS29512-12	.PACKING, PREFORMED	2		
38	222-366-621-003	.FILTER ASSY, FUEL (REPLACED BY 206-366-621-101) .	1		A
38	222-366-621-101	.FILTER ASSY, FUEL (REPLACES 206-366-621-003) . . . (ALTERNATE PART)	1		B
38	222-366-621-103	.FILTER ASSY, FUEL	1		
39	306023	..GASKET	2		
39	222-366-644-001	..SEAL (ALTERNATE PART)	2		
39	222-366-644-003	..SEAL	2		
40	MS29513-238	..PACKING, PREFORMED	1		
41	222-366-643-001	..ELEMENT	1		
41	KD651510	..FILTER PARTS KIT (REPLACED BY KD651511)	1		
41	KD651511	..KIT, ELEMENT (REPLACES KD651510)	1		
42	MS27039-1-10	.SCREW (USBL ON 206-061-600-101)	5		
42	MS27039-1-06	.SCREW (USBL ON 206-061-660-101, -105 AND -107) . .	5		
43	AN960JD10L	.WASHER	5		
44	206-062-684-101	.BRACKET ASSY	1		
45	MS21042L3	NUT	4		
46	AN960PD10	WASHER (REPLACED BY AN960JD10)	8		
46	AN960JD10	WASHER (REPLACES AN960PD10)	8		
47	AN960PD10L	WASHER (REPLACED BY AN960JD10L)	4		
47	AN960JD10L	WASHER (REPLACES AN960PD10L)	4		
48	MS27039-1-10	SCREW	2		
49	MS27039-1-11	SCREW	2		
50	MS21059L5	NUTPLATE	5		
51	206-062-901-103	SUPPORT ASSY	1		
52	206-062-901-214	DOUBLER	1		

(1) INDEX NUMBER	(2) PART NUMBER	(3) ITEM NAME	(4) UNIT PER ASSY	(5) A V A I L	(6) U O C									
		<p>FIGURE: 28-6. Fuel system installation (3387-SUB) (Cont'd)</p> <p style="text-align: center;">USABLE ON CODES</p> <table border="0" style="margin-left: auto; margin-right: auto;"> <thead> <tr> <th style="text-align: left;">CODE</th> <th style="text-align: left;">MODEL</th> <th style="text-align: left;">SERIAL NUMBER</th> </tr> </thead> <tbody> <tr> <td>A</td> <td>206B/B3</td> <td>3387-3953</td> </tr> <tr> <td>B</td> <td>206B3</td> <td>3954-SUB</td> </tr> </tbody> </table> <p>1) UNLESS A USABLE ON PART NUMBER IS LISTED IN THE ITEM NAME COLUMN; NO CODE INDICATES THE PART APPLIES TO ALL SERIAL NUMBERS.</p> <p>2) IF THE SERIAL NUMBER IS BLANK THE PART APPLIES TO ALL SERIAL NUMBERS FOR THAT MODEL.</p>	CODE	MODEL	SERIAL NUMBER	A	206B/B3	3387-3953	B	206B3	3954-SUB			
CODE	MODEL	SERIAL NUMBER												
A	206B/B3	3387-3953												
B	206B3	3954-SUB												

