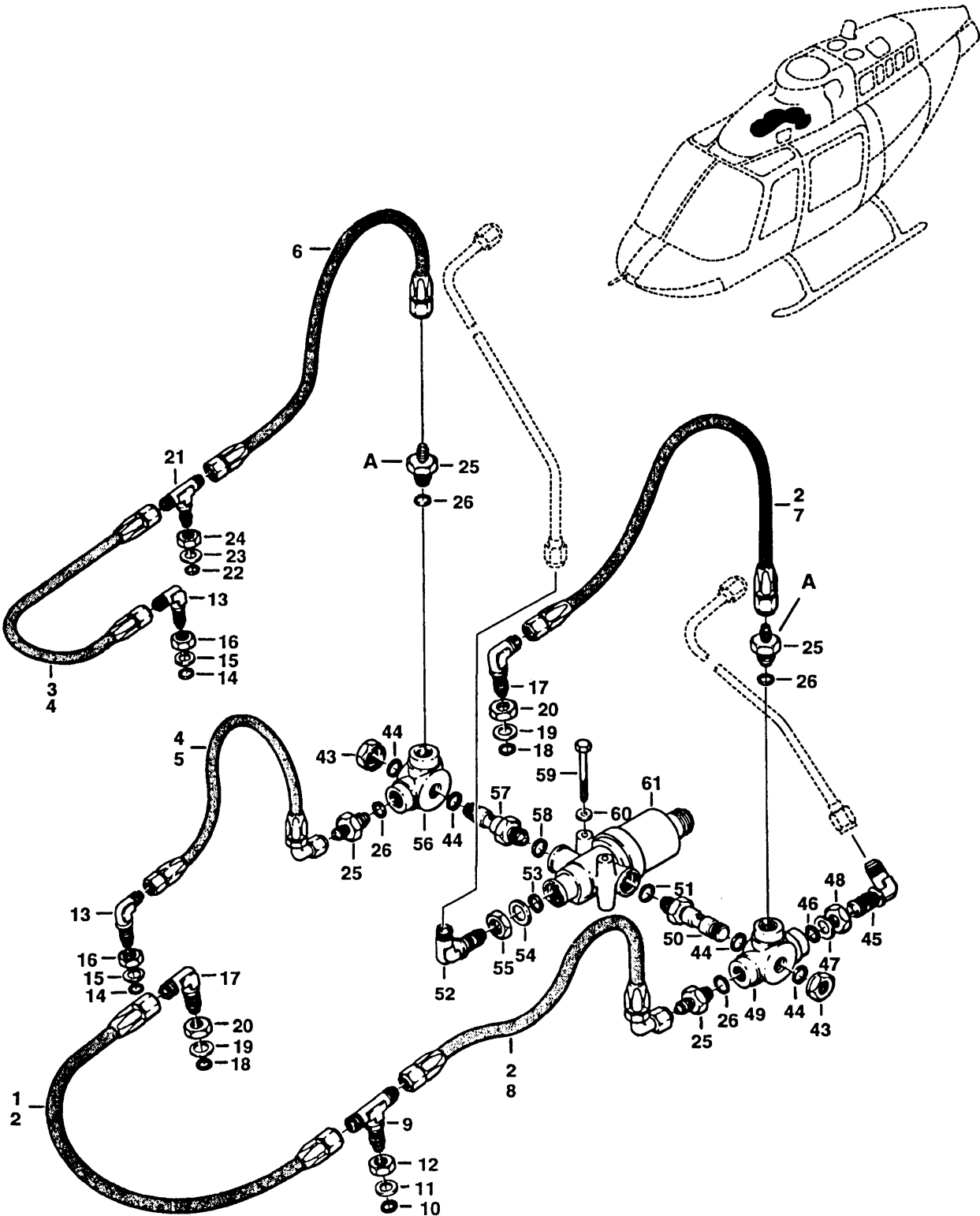


CONTENTS - IPB

Figure Number	Figure Title	Chapter/Section Number	Page Number
29-1	Hydraulic system installation	29-99-00	2
29-2	Hydraulic system installation (4 THRU 497)	29-99-00	8
29-3	Hydraulic system installation (498 THRU SUB)	29-99-00	16
29-4	Filter assembly	29-99-00	20
29-5	Pump and regulator assembly	29-99-00	22
29-6	Cylinder and support assembly, cyclic and collective	29-99-00	26
29-7	Cylinder and support assembly, cyclic and collective (PRE T.B. 206-82-78) (4 THRU 550)	29-99-00	32
29-8	Cylinder and support assembly, cyclic and collective (PRE T.B. 206-82-78) (551 THRU 2622) .	29-99-00	36
29-9	Cylinder and support assembly, cyclic and collective (POST T.B. 206-82-78, 4 THRU 2622) (2623 THRU SUB)	29-99-00	40
29-10	Cylinder and support assembly, anti-torque (4 THRU 497)	29-99-00	46



206A/B/B3-29-1001-1
C0000

Figure 29-1. Hydraulic system installation (Sheet 1 of 2)

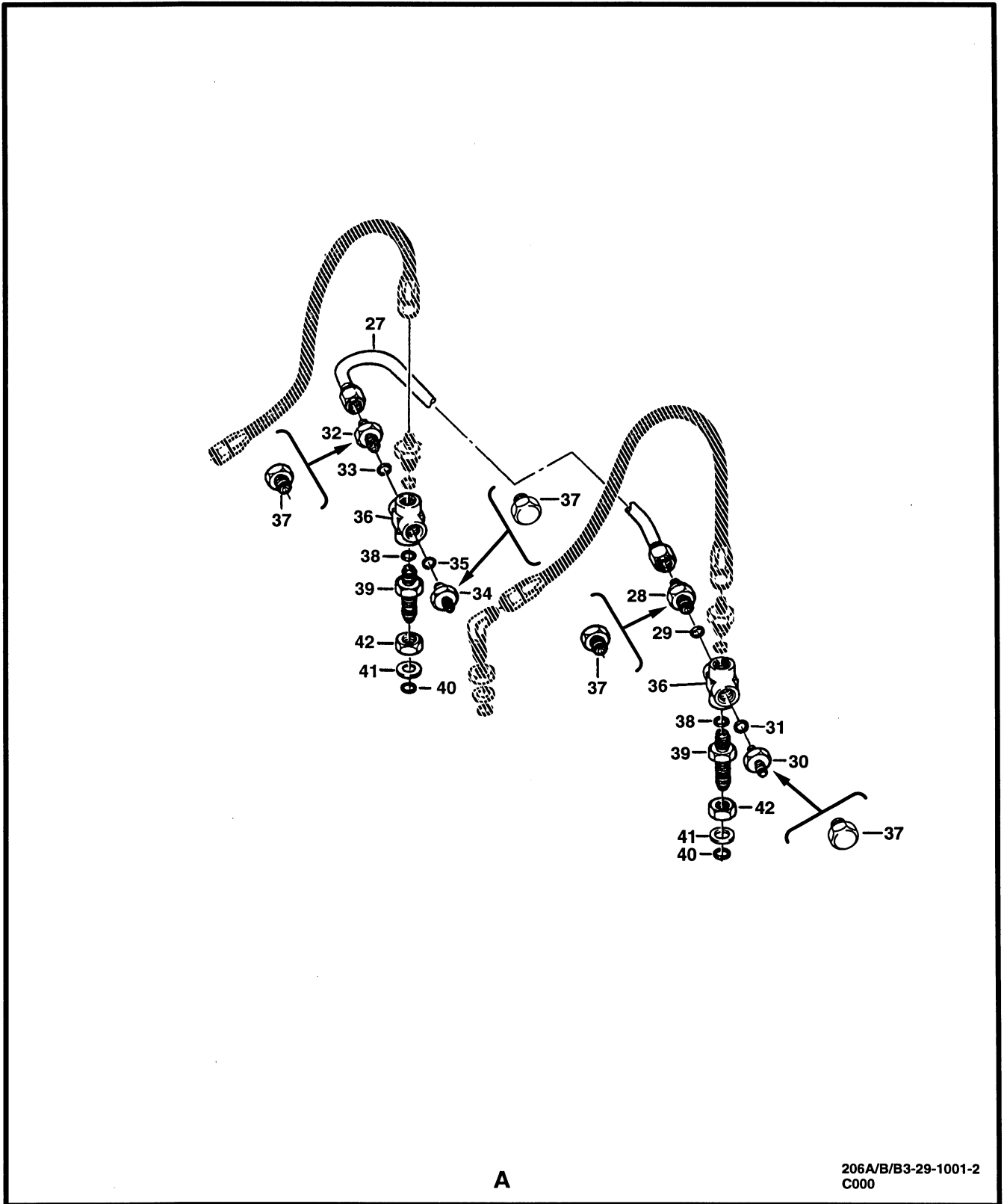
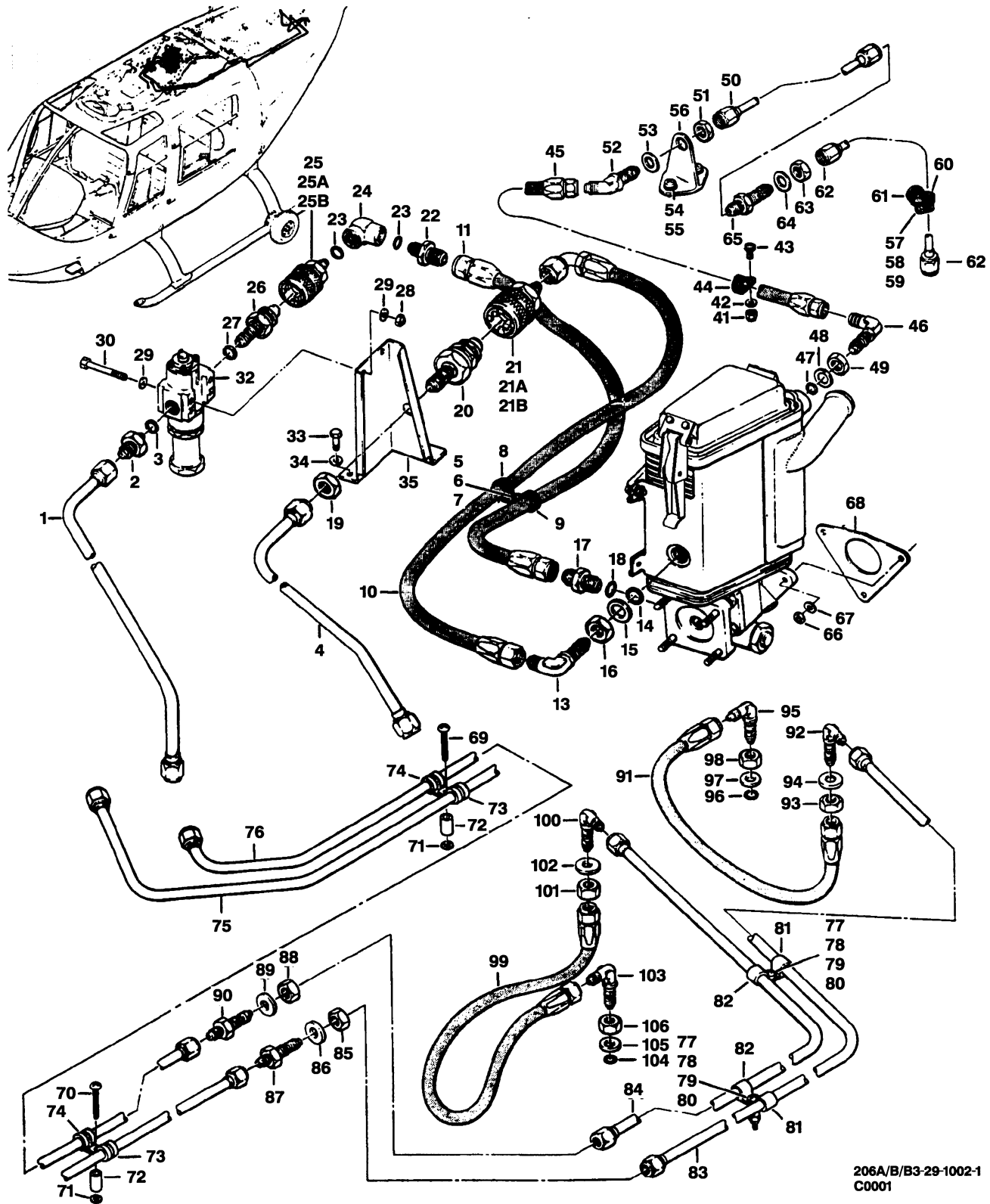


Figure 29-1. Hydraulic system installation (Sheet 2)

(1) INDEX NUMBER	(2) PART NUMBER	(3) ITEM NAME	(4) UNIT PER ASSY	(5) A V A I L	(6) U O C
		FIGURE: 29-1. Hydraulic system installation			
	206-076-008-001	HYDRAULIC SYSTEM INSTL (SEE FIG. 2 FOR BALANCE OF . . BREAKDOWN)	1		
	206-076-008-003	HYDRAULIC SYSTEM INSTL (SEE FIG. 2 FOR BALANCE OF . . BREAKDOWN)	1		
	206-076-008-005	HYDRAULIC SYSTEM INSTL (SEE FIG. 2 FOR BALANCE OF . . BREAKDOWN)	1		
	206-076-008-011	HYDRAULIC SYSTEM INSTL (SEE FIG. 2 FOR BALANCE OF . . BREAKDOWN)	1		
	206-076-008-009	HYDRAULIC SYSTEM INSTL (SEE FIG. 2 FOR BALANCE OF . . BREAKDOWN)	1		
	206-076-029-001	HYDRAULIC SYSTEM INSTL (SEE FIG. 3 FOR BALANCE OF . . BREAKDOWN)	1		
	206-076-029-003	HYDRAULIC SYSTEM INSTL (SEE FIG. 3 FOR BALANCE OF . . BREAKDOWN)	1		
	206-076-029-005	HYDRAULIC SYSTEM INSTL (SEE FIG. 3 FOR BALANCE OF . . BREAKDOWN)	1		
1	601000-5-0186	.HOSE ASSY (REPLACED BY 70-061G000D190A) (ALTERNATE PART)	1		
1	156001-5S0186	.HOSE ASSY (REPLACED BY 70-061G000D190A)	1		
1	70-061G000D190A	.HOSE ASSY (REPLACES 601000-5-0186 AND 156001-5S0186)	1	1	
2	31-032-13A	.ID TAPE (SYSTEM I PRESSURE)	3		
3	601000-4-0126	.HOSE ASSY (REPLACED BY 70-010F000D126) (ALTERNATE PART)	1	0	
3	156001-4S0126	.HOSE ASSY (REPLACED BY 70-010F000D126)	1		
3	70-010F000D126	.HOSE ASSY (REPLACES 601000-4-0126 AND 156001-4S0126) (REPLACED BY 70-061F000D126A)	1	0	
3	70-061F000D126A	.HOSE ASSY (REPLACES 601000-4-0126 AND 156001-4S0126) (REPLACES 70-010F000D126)	1	1	
4	31-032-12A	.ID TAPE (SYSTEM I PRESSURE)	3		
5	601002-4-0153	.HOSE ASSY (REPLACED BY 70-061F000Y154A) (ALTERNATE PART)	1		
5	156005-4S-0153	.HOSE ASSY (REPLACED BY 70-061F000Y154A)	1		
5	70-061F000Y154A	.HOSE ASSY (REPLACES 601002-4-0153 AND 156005-4S-0153)	1	1	
6	601000-4-0132	.HOSE ASSY (REPLACED BY 70-061F000D132A) (ALTERNATE PART)	1		C
6	156001-4S0132	.HOSE ASSY	1		C
6	70-061F000D132A	.HOSE ASSY (REPLACES 601000-4-0132)	1		
7	601000-5-0141	.HOSE ASSY (REPLACED BY 70-053G000A144A) (ALTERNATE PART)	1		C
7	156001-5S0141	.HOSE ASSY	1		C
7	70-053G000A144A	.HOSE ASSY (REPLACES 601000-5-0141)	1	1	
8	601002-5-0161	.HOSE ASSY (REPLACED BY 70-061G000Y162A) (ALTERNATE PART)	1		
8	156005-5S0161	.HOSE ASSY (REPLACED BY 70-061G000Y162A)	1		
8	70-061G000Y162A	.HOSE ASSY (REPLACES 601002-5-0161 AND 156005-5S0161)	1	1	
9	AN834-5D	.TEE	1	1	
10	MS28778-5	.PACKING, PREFORMED	1	1	

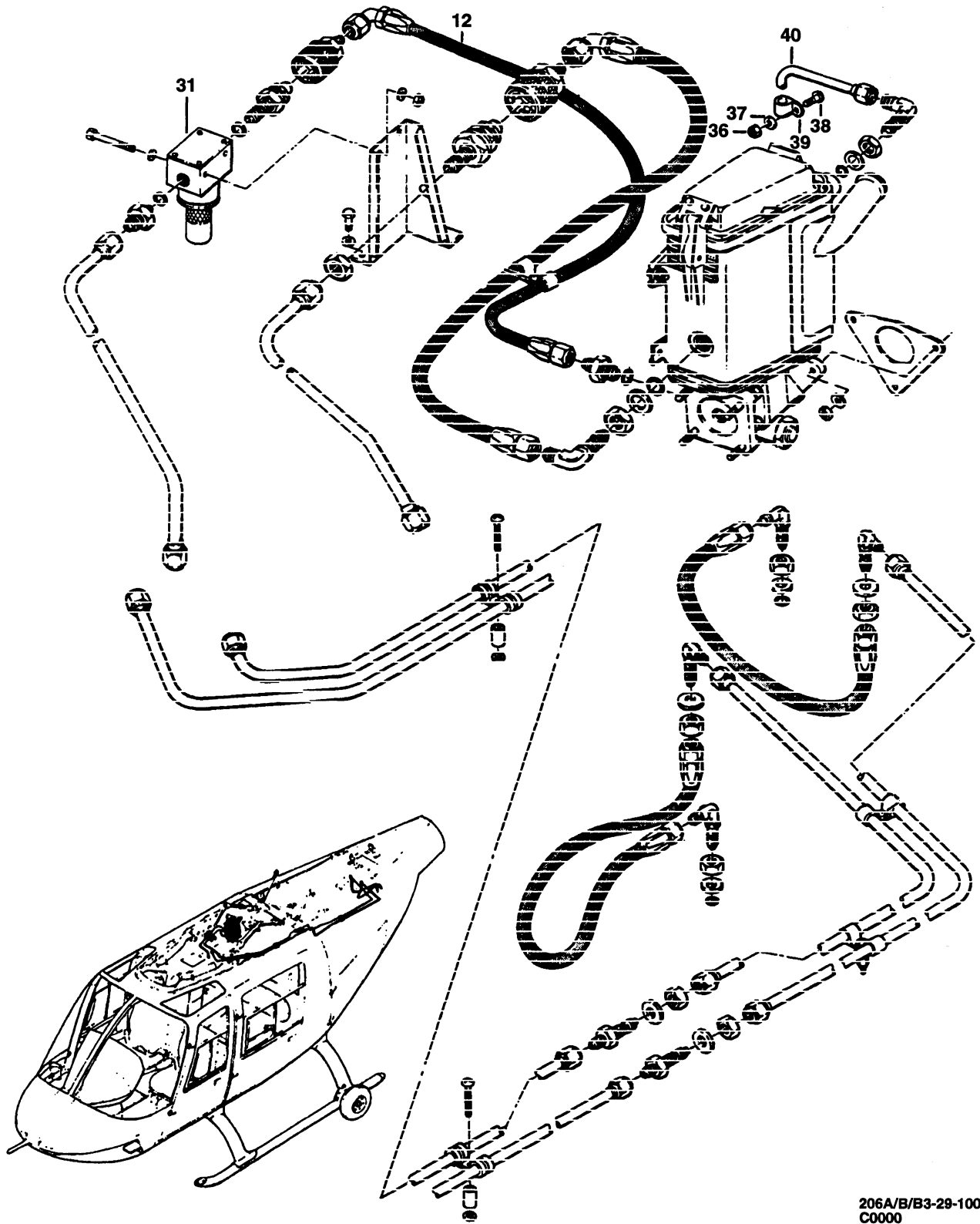
(1) INDEX NUMBER	(2) PART NUMBER	(3) ITEM NAME	(4) UNIT PER ASSY	(5) A V A I L	(6) U O C
		FIGURE: 29-1. Hydraulic system installation (Cont'd)			
11	MS28773-05	.RETAINER	1	1	
12	AN6289D5	.NUT	1	1	
13	AN833-4D	.ELBOW	2	1	
14	MS28778-4	.PACKING, PREFORMED	2	1	
15	MS28773-04	.RETAINER	2	1	
16	AN6289D4	.NUT	2	1	
17	AN833-5D	.ELBOW	2	1	
18	MS28778-5	.PACKING, PREFORMED	2	1	
19	MS28773-05	.RETAINER	2	1	
20	AN6289D5	.NUT	2	1	
21	AN834-4D	.TEE	1	1	
22	MS28778-4	.PACKING, PREFORMED	1	1	
23	MS28773-04	.RETAINER	1	1	
24	AN6289D4	.NUT	1	1	
25	AN919-6D	.REDUCER	4	1	
26	MS28778-6	.PACKING, PREFORMED	4	1	
27	206-076-283-001	.TUBE ASSY, UNION TO CHECK VALVE (REPLACED BY 206-076-389-001)	1		B
27	206-076-389-001	.TUBE ASSY, UNION TO CHECK VALVE (REPLACES 206-076-283-001)	1	1	A
28	204-076-437-003	.CHECK VALVE	1	1	A
29	MS28778-6	.PACKING, PREFORMED	1	1	
30	AN919-7D	.REDUCER	1	1	A
31	MS28778-6	.PACKING, PREFORMED	1	1	
32	AN815-6D	.UNION	1	1	A
33	MS28778-6	.PACKING, PREFORMED	1	1	
34	AN919-6D	.REDUCER	1	1	A
35	MS28778-6	.PACKING, PREFORMED	1	1	
36	AN937D6	.CROSS	2	1	C
37	AN814-6DL	.PLUG (REPLACED BY AN814-6WL)	4		D
37	AN814-6WL	.PLUG (REPLACES AN814-6DL)	4		D
38	MS28778-6	.PACKING, PREFORMED	2	1	C
39	AN832-6D	.UNION	2	1	C
40	MS28778-6	.PACKING, PREFORMED	2	1	C
41	MS28773-06	.RETAINER	2	1	C
42	AN6289D6	.NUT	2	1	C
43	MS21937-4L	.NUT (REPLACED BY MS21937W4L)	2	0	
43	MS21937W4L	.NUT (REPLACES MS21937-4L)	2		
44	MS28775-112	.PACKING, PREFORMED (REPLACED BY M83461/1-112)	4		
44	M83461/1-112	.PACKING, PREFORMED (REPLACES MS28775-112)	4		
45	AN833-6D	.ELBOW	1	1	
46	MS28778-6	.PACKING, PREFORMED	1	1	
47	MS28773-06	.RETAINER	1	1	
48	AN6289D6	.NUT	1	1	
49	MS21960-6L	.BODY	1	1	
50	MS21949-6L	.BOLT	1	1	
51	MS28778-6	.PACKING, PREFORMED	1	1	
52	AN833-6D	.ELBOW	1	1	
53	MS28778-6	.PACKING, PREFORMED	1	1	
54	MS28773-06	.RETAINER	1	1	

(1) INDEX NUMBER	(2) PART NUMBER	(3) ITEM NAME	(4) UNIT PER ASSY	(5) A V A I L	(6) U O C																					
FIGURE: 29-1. Hydraulic system installation (Cont'd)																										
55	AN6289D6	.NUT	1	1																						
56	MS21959-6L	.BODY	1	1																						
57	MS21949-6L	.BOLT	1	1																						
58	MS28778-6	.PACKING, PREFORMED	1	1																						
59	AN3-21A	.BOLT	2	1	A																					
59	AN3-22A	.BOLT	2	1	E																					
60	AN960PD10L	.WASHER (REPLACED BY AN960JD10L)	2																							
60	AN960JD10L	.WASHER (REPLACES AN960PD10L) (REPLACED BY NAS1149D0332J)	2																							
60	NAS1149D0332J	.WASHER (REPLACES AN960JD10L)	2																							
61	7-U-7467	.SOLENOID VALVE (ALTERNATE PART)	1																							
61	13068	.SOLENOID VALVE	1	1																						
<p>USABLE ON CODES</p> <table border="0"> <thead> <tr> <th>CODE</th> <th>MODEL</th> <th>SERIAL NUMBER</th> </tr> </thead> <tbody> <tr> <td>A</td> <td>206A</td> <td>4-497</td> </tr> <tr> <td>B</td> <td>206A</td> <td>4-353, 414-497</td> </tr> <tr> <td>C</td> <td>206A/B/BIII</td> <td>4-2058</td> </tr> <tr> <td>D</td> <td>206A/B/BIII</td> <td>498-2058</td> </tr> <tr> <td>E</td> <td>206A/B/BIII</td> <td>498-SUB</td> </tr> <tr> <td>F</td> <td>206BIII</td> <td>2059-SUB</td> </tr> </tbody> </table> <p>1) UNLESS A USABLE ON PART NUMBER IS LISTED IN THE ITEM NAME COLUMN; NO CODE INDICATES THE PART APPLIES TO ALL SERIAL NUMBERS.</p> <p>2) IF THE SERIAL NUMBER IS BLANK THE PART APPLIES TO ALL SERIAL NUMBERS FOR THAT MODEL.</p>						CODE	MODEL	SERIAL NUMBER	A	206A	4-497	B	206A	4-353, 414-497	C	206A/B/BIII	4-2058	D	206A/B/BIII	498-2058	E	206A/B/BIII	498-SUB	F	206BIII	2059-SUB
CODE	MODEL	SERIAL NUMBER																								
A	206A	4-497																								
B	206A	4-353, 414-497																								
C	206A/B/BIII	4-2058																								
D	206A/B/BIII	498-2058																								
E	206A/B/BIII	498-SUB																								
F	206BIII	2059-SUB																								



206A/B/B3-29-1002-1
C0001

Figure 29-2. Hydraulic system installation (4 THRU 497) (Sheet 1 of 2)



206A/B/B3-29-1002-2
C0000

Figure 29-2. Hydraulic system installation (4 THRU 497) (Sheet 2)

(1) INDEX NUMBER	(2) PART NUMBER	(3) ITEM NAME	(4) UNIT PER ASSY	(5) A V A I L	(6) U O C
		FIGURE: 29-2. Hydraulic system installation (4 THRU 497)			
	206-076-008-001	HYDRAULIC SYSTEM INSTL (SEE FIG. 1 FOR BALANCE OF . . . BREAKDOWN)	REF		
	206-076-008-003	HYDRAULIC SYSTEM INSTL (SEE FIG. 1 FOR BALANCE OF . . . BREAKDOWN)	REF		
	206-076-008-005	HYDRAULIC SYSTEM INSTL (SEE FIG. 1 FOR BALANCE OF . . . BREAKDOWN)	REF		
	206-076-008-011	HYDRAULIC SYSTEM INSTL (SEE FIG. 1 FOR BALANCE OF . . . BREAKDOWN)	REF		
	206-076-008-009	HYDRAULIC SYSTEM INSTL (SEE FIG. 1 FOR BALANCE OF . . . BREAKDOWN)	REF		
1	206-076-148-001	.TUBE ASSY, PRESSURE	1	1	
2	AN919-6D	.REDUCER	1	1	
3	MS28778-4	.PACKING, PREFORMED	1	1	
4	206-076-149-001	.TUBE ASSY, RETURN (REPLACED BY 206-076-390-001) . . .	1		K
4	206-076-390-001	.TUBE ASSY, RETURN (REPLACES 206-076-149-001) . . .	1	1	
5	AN525-10R12	.SCREW	1	1	
6	AN960PD10L	.WASHER (REPLACED BY AN960JD10L)	1		
6	AN960JD10L	.WASHER (REPLACES AN960PD10L) (REPLACED BY NAS1149D0332J)	1		
6	NAS1149D0332J	.WASHER (REPLACES AN960JD10L)	1		
7	NAS43DD3-24N	.SPACER	1	1	
8	MS21919DG9	.CLAMP (REPLACED BY MS21919WDG9)	2	0	
8	MS21919WDG9	.CLAMP (REPLACES MS21919DG9)	2	1	
9	MS25281-7	.CLAMP (REPLACED BY MS25281-R7)	1	0	A
9	MS25281-R7	.CLAMP (REPLACES MS25281-7)	1	1	A
9	MS21919DG9	.CLAMP (REPLACED BY MS21919WDG9)	1	0	D
9	MS21919WDG9	.CLAMP (REPLACES MS21919DG9)	1	1	D
10	601002-6D0202	.HOSE ASSY (REPLACED BY 70-061H000V202A) (ALTERNATE PART)	1		
10	156005-6D0202	.HOSE ASSY (REPLACED BY 70-061H000V202A)	1	1	
10	70-061H000V202A	.HOSE ASSY (REPLACES 601002-6D0202 AND 156005-6D0202)	1		
11	601000-6D0153	.HOSE ASSY (REPLACED BY 70-010H000A154 AND 70-010H000A154A)	1		D
11	156001-6D0153	.HOSE ASSY (REPLACED BY 70-010H000A154 AND 70-010H000A154A)	1		D
11	70-010H000A154	.HOSE ASSY (REPLACES 601000-6D0153 AND 156001-6D0153) (REPLACED BY 70-010H000A154A)	1		D
11	70-010H000A154A	.HOSE ASSY (REPLACES 601000-6D0153, 156001-6D0153 AND 70-010H000A154)	1		D
12	180-601497F0190	.HOSE ASSY (REPLACED BY 70-010F180E190)	1		A
12	70-010F180E190	.HOSE ASSY (REPLACES 180-601497F0190) (REPLACED . . . BY 70-010F180E190A)	1		A
12	70-010F180E190A	.HOSE ASSY (REPLACES 70-010F180E190) (ALTERNATE PART)	1		A
12	15606080190S180	.HOSE ASSY	1		A
13	AN833-6D	.ELBOW	1	1	
14	MS28778-6	.PACKING, PREFORMED	1	1	
15	MS28773-06	.RETAINER, RING	1	1	

(1) INDEX NUMBER	(2) PART NUMBER	(3) ITEM NAME	(4) UNIT PER ASSY	(5) A V A I L	(6) U O C
FIGURE: 29-2. Hydraulic system installation (4 THRU 497) (Cont'd)					
16	AN6289D6	.NUT	1	1	
17	AN815-6D	.UNION	1	1	
18	MS28778-6	.PACKING, PREFORMED	1	1	
19	AN924-6D	.NUT	1	1	
20	6005E6	.NIPPLE	1	1	
21	6000D6	.COUPLING HALF	1	1	
21A	M83461/1-112	. . PACKING, PREFORMED	1		
21B	3Y6000-6-12	. . SEAL	1	1	
22	AN919-6D	.REDUCER	1	1	D
23	MS28778-4	.PACKING, PREFORMED	1	1	D
24	AN939D4	.ELBOW	1	1	D
25	6000D4	.COUPLING HALF	1	1	
25A	M83461/1-012	. . PACKING, PREFORMED	1		
25B	3Y6000-4-12	. . SEAL	1	1	
26	6005D4	.NIPPLE	1	1	
27	MS28778-4	.PACKING, PREFORMED	1	1	
28	NAS679A3	.NUT (REPLACED BY MS21042L3)	2		
28	MS21042L3	.NUT (REPLACES NAS679A3)	2	1	
29	AN960PD10L	.WASHER (REPLACED BY AN960JD10L)	4		
29	AN960JD10L	.WASHER (REPLACES AN960PD10L) (REPLACED BY NAS1149D0332J)	4		
29	NAS1149D0332J	.WASHER (REPLACES AN960JD10L)	4		
30	AN3-15A	.BOLT	2	1	
31	2546	.FILTER ASSY (SEE FIG. 4 FOR BREAKDOWN) (REPLACED BY 11-10762, 206-076-034-001 AND -103)	1	0	C
32	11-10762	.FILTER ASSY (SEE FIG. 4 FOR BREAKDOWN) (REPLACES 2546) (REPLACED BY 206-076-034-001 AND -103)	1		
32	206-076-034-001	.FILTER ASSY (SEE FIG. 4 FOR BREAKDOWN) (REPLACES 11-10762 AND 2546) (REPLACED BY 206-076-034-103) (ALTERNATE PART)	1	6	
32	206-076-034-101	.FILTER ASSY (SEE FIG. 4 FOR BREAKDOWN) (REPLACED BY 206-076-034-103)	1		
32	206-076-034-103	.FILTER ASSY (SEE FIG. 4 FOR BREAKDOWN) (REPLACES 2546, 11-10762, 206-076-034-001 AND -101)	1	1	
33	AN3H3A	.BOLT	3	1	
34	AN960PD10L	.WASHER (REPLACED BY AN960JD10L)	3		
34	AN960JD10L	.WASHER (REPLACES AN960PD10L) (REPLACED BY NAS1149D0332J)	3		
34	NAS1149D0332J	.WASHER (REPLACES AN960JD10L)	3		
35	206-076-198-001	.SUPPORT	1	1	
36	NAS679A3	.NUT (REPLACED BY MS21042L3)	1		C
36	MS21042L3	.NUT (REPLACES NAS679A3)	1	1	C
37	AN960PD10L	.WASHER (REPLACED BY AN960JD10L)	1		C
37	AN960JD10L	.WASHER (REPLACES AN960PD10L) (REPLACED BY NAS1149D0332J)	1		C
37	NAS1149D0332J	.WASHER (REPLACES AN960JD10L)	1		C
38	AN525-10R8	.SCREW (REPLACED BY 120-220-3P8)	1	1	C
38	120-220-3P8	.SCREW (REPLACES AN525-10R8)	1		C

(1) INDEX NUMBER	(2) PART NUMBER	(3) ITEM NAME	(4) UNIT PER ASSY	(5) A V A I L	(6) U O C
FIGURE: 29-2. Hydraulic system installation (4 THRU 497) (Cont'd)					
39	MS25281-R4	.CLAMP	1	1	C
40	206-076-150-001	.TUBE ASSY, OVERFLOW DRAIN	1		A
40	206-076-010-001	.TUBE ASSY, OVERFLOW DRAIN	1	1	B
41	NAS679A3	.NUT (REPLACED BY MS21042L3)	1		G
41	MS21042L3	.NUT (REPLACES NAS679A3)	1	1	G
42	AN960PD10L	.WASHER (REPLACED BY AN960JD10L)	1		G
42	AN960JD10L	.WASHER (REPLACES AN960PD10L) (REPLACED BY NAS1149D0332J)	1		G
42	NAS1149D0332J	.WASHER (REPLACES AN960JD10L)	1		G
43	AN525-10R7	.SCREW	1	1	G
44	MS21919DG7	.CLAMP (REPLACED BY MS21919WDG7)	1		G
44	MS21919WDG7	.CLAMP (REPLACES MS21919DG7)	1	1	G
45	601000-4-0190	.HOSE ASSY (REPLACED BY 70-010F000D190) (ALTERNATE PART)	1		G
45	156001-4S0190	.HOSE ASSY (REPLACED BY 70-010F000D190)	1		G
45	70-010F000D190	.HOSE ASSY (REPLACES 601000-4-0190 AND 156001-4S0190) (REPLACED BY 70-061F000D190A)	1	0	G
45	70-061F000D190A	.HOSE ASSY (REPLACES 601000-4-0190 AND 156001-4S0190) (REPLACES 70-010F000D190)	1	1	G
46	AN833-4D	.ELBOW	1	1	G
47	MS28778-4	.PACKING, PREFORMED	1	1	G
48	MS28773-04	.RETAINER, RING	1	1	G
49	AN6289D4	.NUT	1	1	G
50	206-076-367-001	.TUBE ASSY, SCUPPER DRAIN	1	1	E
50	206-076-388-001	.TUBE ASSY, SCUPPER DRAIN	1	1	H
51	AN924-4D	.NUT	1	1	G
52	AN837-4D	.ELBOW	1	1	G
53	AN960PD716	.WASHER (REPLACED BY AN960JD716)	1		G
53	AN960JD716	.WASHER (REPLACES AN960PD716) (REPLACED BY NAS1149D0763J)	1	1	G
53	NAS1149D0763J	.WASHER (REPLACES AN960JD716)	1		G
54	MS27039-1-06	.SCREW	2	1	G
55	AN960PD10L	.WASHER (REPLACED BY AN960JD10L)	2		G
55	AN960JD10L	.WASHER (REPLACES AN960PD10L) (REPLACED BY NAS1149D0332J)	2		G
55	NAS1149D0332J	.WASHER (REPLACES AN960JD10L)	2		G
56	206-031-165-001	.SUPPORT	1	1	G
57	NAS679A3	.NUT (REPLACED BY MS21042L3)	1		G
57	MS21042L3	.NUT (REPLACES NAS679A3)	1	1	G
58	AN960PD10L	.WASHER (REPLACED BY AN960JD10L)	1		G
58	AN960JD10L	.WASHER (REPLACES AN960PD10L) (REPLACED BY NAS1149D0332J)	1		G
58	NAS1149D0332J	.WASHER (REPLACES AN960JD10L)	1		G
59	AN525-10R6	.SCREW	1	1	G
60	MS21919DG8	.CLAMP (REPLACED BY MS21919WDG8)	1		G
60	MS21919WDG8	.CLAMP (REPLACES MS21919DG8)	1	1	G
61	MS21919DG4	.CLAMP (REPLACED BY MS21919WDG4)	1		G
61	MS21919WDG4	.CLAMP (REPLACES MS21919DG4)	1	1	G
62	206-076-363-001	.TUBE ASSY, SCUPPER DRAIN	1	1	G

(1) INDEX NUMBER	(2) PART NUMBER	(3) ITEM NAME	(4) UNIT PER ASSY	(5) A V A I L	(6) U O C
FIGURE: 29-2. Hydraulic system installation (4 THRU 497) (Cont'd)					
63	AN924-4	.NUT	1	1	G
64	AN960-716	.WASHER (REPLACED BY NAS1149F0763P)	1	1	G
64	NAS1149F0763P	.WASHER (REPLACES AN960-716)	1		G
65	AN832-4	.UNION	1	1	G
66	NAS679A4	.NUT (REPLACED BY MS21042L4)	3	0	
66	MS21042L4	.NUT (REPLACES NAS679A4)	3	1	
67	NAS1197-416	.WASHER	3	1	
68	206-076-172-001	.GASKET	1	1	
	206-076-016-003	.PUMP AND REGULATOR ASSY (SEE FIG. 5 FOR BREAKDOWN)	1	0	C
	206-076-016-005	.PUMP AND REGULATOR ASSY (SEE FIG. 5 FOR BREAKDOWN)	1		F
	206-076-016-007	.PUMP AND REGULATOR ASSY (SEE FIG. 5 FOR BREAKDOWN) (REPLACED BY 206-076-016-009 AND -101)	1		J
	206-076-016-009	.PUMP AND REGULATOR ASSY (SEE FIG. 5 FOR BREAKDOWN) (REPLACES 206-076-016-007) (REPLACED BY 206-076-016-101)	1		J
	206-076-016-101	.PUMP AND REGULATOR ASSY (SEE FIG. 5 FOR BREAKDOWN) (REPLACES 206-076-016-007 AND -009)	1	0	J
69	AN525-10R18	.SCREW	1	1	
70	AN525-10R16	.SCREW	1	1	
71	AN960PD10L	.WASHER (REPLACED BY AN960JD10L)	2		
71	AN960JD10L	.WASHER (REPLACES AN960PD10L) (REPLACED BY NAS1149D0332J)	2		
71	NAS1149D0332J	.WASHER (REPLACES AN960JD10L)	2		
72	NAS43DD3-24N	.SPACER	2	1	
73	MS25281-R4	.CLAMP	2	1	
74	MS25281-5	.CLAMP	2		
75	206-076-284-001	.TUBE ASSY, REDUCER TO UNION, PRESSURE	1	1	
76	206-076-285-001	.TUBE ASSY, REDUCER TO UNION, RETURN	1	1	
77	NAS679A3	.NUT (REPLACED BY MS21042L3)	2		
77	MS21042L3	.NUT (REPLACES NAS679A3)	2	1	
78	AN960-10L	.WASHER (REPLACED BY NAS1149F0332P)	2		
78	NAS1149F0332P	.WASHER (REPLACES AN960-10L)	2		
79	AN525-10R16	.SCREW	2	1	
80	NAS43DD3-24N	.SPACER	2	1	
81	MS25281-R4	.CLAMP	2	1	
82	MS25281-5	.CLAMP	2		
83	206-076-287-001	.TUBE ASSY, ELBOW TO UNION, PRESSURE	1	1	
84	206-076-286-001	.TUBE ASSY, ELBOW TO UNION, RETURN	1	1	
85	AN924-4	.NUT	1	1	
86	AN960-716	.WASHER (REPLACED BY NAS1149F0763P)	1	1	
86	NAS1149F0763P	.WASHER (REPLACES AN960-716)	1		
87	AN832-4	.UNION	1	1	
88	AN924-5	.NUT	1	1	
89	AN960-816	.WASHER (REPLACED BY NAS1149F0863P)	1	1	
89	NAS1149F0863P	.WASHER (REPLACES AN960-816)	1		
90	AN832-5	.UNION (REPLACED BY AN832-5J)	1	1	

(1) INDEX NUMBER	(2) PART NUMBER	(3) ITEM NAME	(4) UNIT PER ASSY	(5) A V A I L	(6) U O C
FIGURE: 29-2. Hydraulic system installation (4 THRU 497) (Cont'd)					
90	AN832-5J	.UNION (REPLACES AN832-5)	1		
91	601001-4-0114	.HOSE ASSY (REPLACED BY 70-053F000X114) (ALTERNATE PARTS)	1		
91	156003-4S0114	.HOSE ASSY (REPLACED BY 70-053F000X114)	1		
91	70-053F000X114	.HOSE ASSY (REPLACES 601001-4-0114 AND 156003-4S0114) (REPLACED BY 70-053F000X114A)	1		
91	70-053F000X114A	.HOSE ASSY (REPLACES 601001-4-0114 AND 156003-4S0114) (REPLACES 70-053F000X114)	1		
92	AN833-4	.ELBOW	1	1	
93	AN924-4	.NUT	1	1	
94	AN960-716	.WASHER (REPLACED BY NAS1149F0763P)	1	1	
94	NAS1149F0763P	.WASHER (REPLACES AN960-716)	1		
95	AN833-4D	.ELBOW	1	1	
96	MS28778-4	.PACKING, PREFORMED	1	1	
97	MS28773-04	.RETAINER, RING	1	1	
98	AN6289D4	.NUT	1	1	
99	601001-5-0120	.HOSE ASSY (REPLACED BY 70-053G000T120) (ALTERNATE PARTS)	1		
99	156003-5S0120	.HOSE ASSY (REPLACED BY 70-053G000T120)	1		
99	70-053G000T120	.HOSE ASSY (REPLACES 601001-5-0120 AND 156003-5S0120) (REPLACED BY 70-053G000T120A)	1		
99	70-053G000T120A	.HOSE ASSY (REPLACES 601001-5-0120 AND 156003-5S0120) (REPLACES 70-053G000T120)	1		
100	AN833-5	.ELBOW (REPLACED BY AN833-5J)	1		
100	AN833-5J	.ELBOW (REPLACES AN833-5)	1		
101	AN924-5	.NUT	1	1	
102	AN960-816	.WASHER (REPLACED BY NAS1149F0863P)	1	1	
102	NAS1149F0863P	.WASHER (REPLACES AN960-816)	1		
103	AN833-5D	.ELBOW	1	1	
104	MS28778-5	.PACKING, PREFORMED	1	1	
105	MS28773-05	.RETAINER, RING	1	1	
106	AN6289D5	.NUT	1	1	

(1) INDEX NUMBER	(2) PART NUMBER	(3) ITEM NAME	(4) UNIT PER ASSY	(5) A V A I L	(6) U O C																																	
		<p>FIGURE: 29-2. Hydraulic system installation (4 THRU 497) (Cont'd)</p> <p style="text-align: center;">USABLE ON CODES</p> <table border="0" style="margin-left: auto; margin-right: auto;"> <thead> <tr> <th style="text-align: left;">CODE</th> <th style="text-align: left;">MODEL</th> <th style="text-align: left;">SERIAL NUMBER</th> </tr> </thead> <tbody> <tr><td>A</td><td>206A</td><td>4-53</td></tr> <tr><td>B</td><td>206A</td><td>54-153</td></tr> <tr><td>C</td><td>206A</td><td>4-153</td></tr> <tr><td>D</td><td>206A</td><td>54-497</td></tr> <tr><td>E</td><td>206A</td><td>154-381</td></tr> <tr><td>F</td><td>206A</td><td>154-413</td></tr> <tr><td>G</td><td>206A</td><td>154-497</td></tr> <tr><td>H</td><td>206A</td><td>382-497</td></tr> <tr><td>J</td><td>206A</td><td>414-497</td></tr> <tr><td>K</td><td>206A</td><td>4-353, 414-497</td></tr> </tbody> </table> <p>1) UNLESS A USABLE ON PART NUMBER IS LISTED IN THE ITEM NAME COLUMN; NO CODE INDICATES THE PART APPLIES TO ALL SERIAL NUMBERS.</p> <p>2) IF THE SERIAL NUMBER IS BLANK THE PART APPLIES TO ALL SERIAL NUMBERS FOR THAT MODEL.</p>	CODE	MODEL	SERIAL NUMBER	A	206A	4-53	B	206A	54-153	C	206A	4-153	D	206A	54-497	E	206A	154-381	F	206A	154-413	G	206A	154-497	H	206A	382-497	J	206A	414-497	K	206A	4-353, 414-497			
CODE	MODEL	SERIAL NUMBER																																				
A	206A	4-53																																				
B	206A	54-153																																				
C	206A	4-153																																				
D	206A	54-497																																				
E	206A	154-381																																				
F	206A	154-413																																				
G	206A	154-497																																				
H	206A	382-497																																				
J	206A	414-497																																				
K	206A	4-353, 414-497																																				

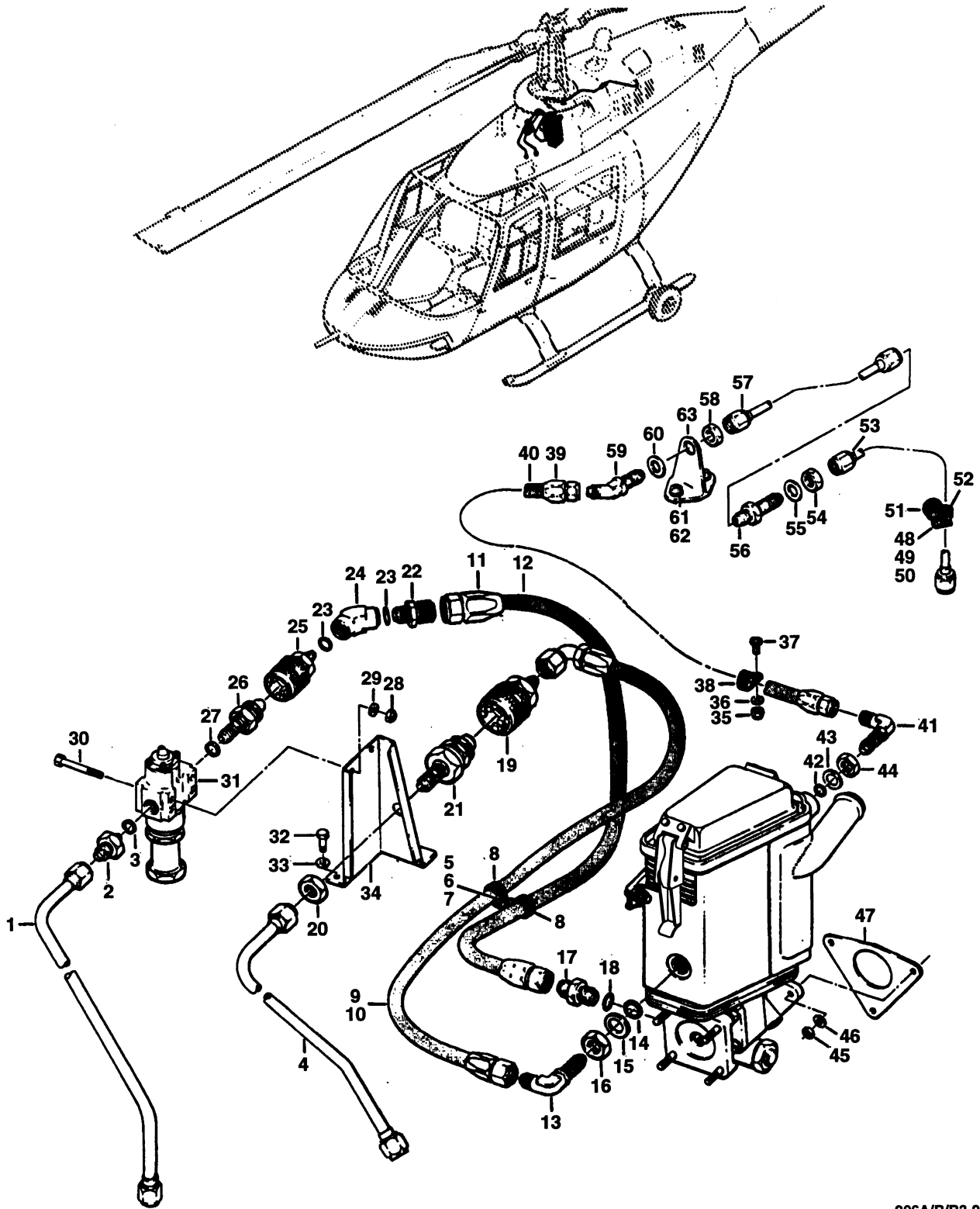


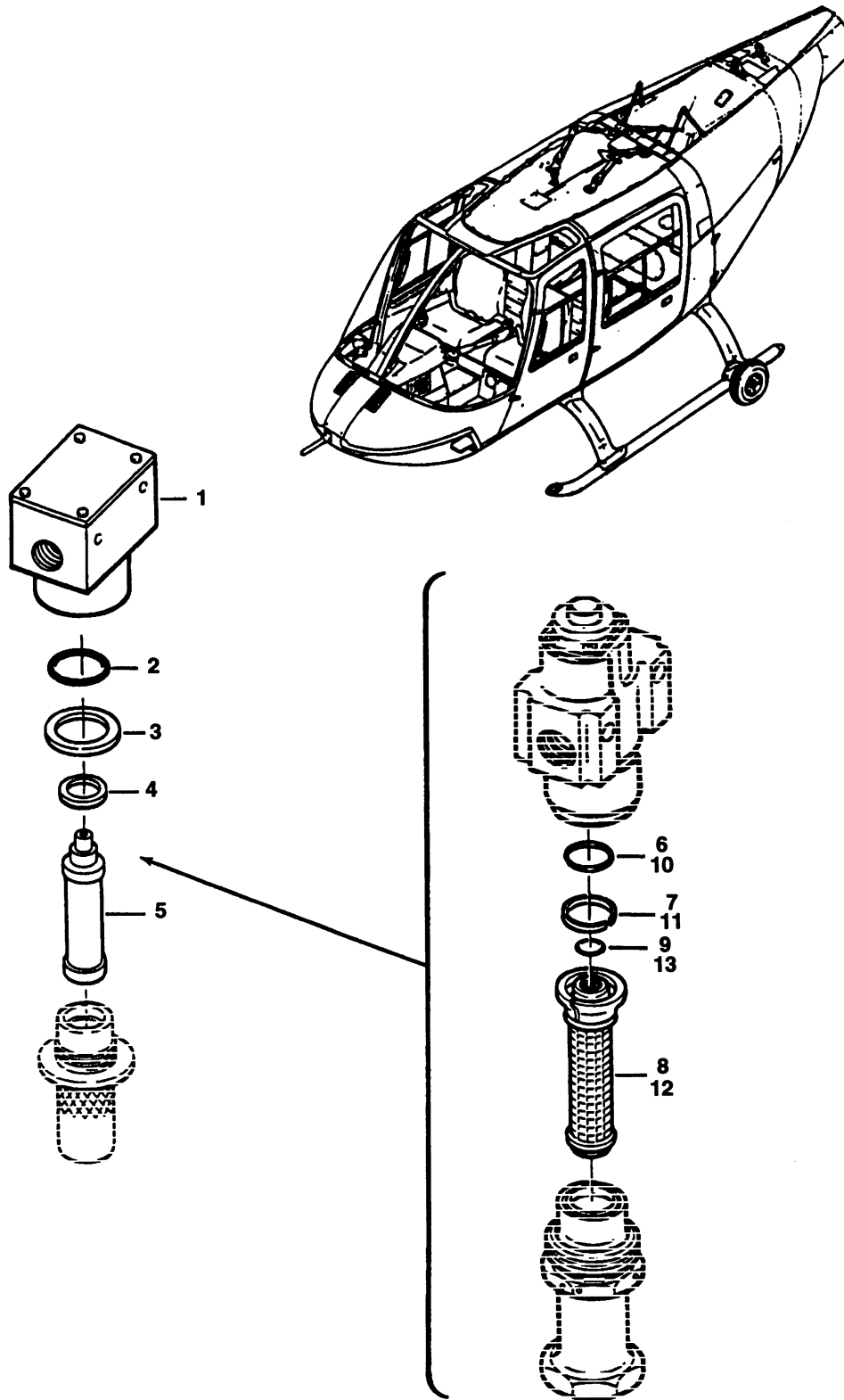
Figure 29-3. Hydraulic system installation (498 THRU SUB)

206A/B/B3-29-1003
C0000

(1) INDEX NUMBER	(2) PART NUMBER	(3) ITEM NAME	(4) UNIT PER ASSY	(5) A V A I L	(6) U O C
		FIGURE: 29-3. Hydraulic system installation (498 THRU SUB)			
	206-076-029-001	HYDRAULIC SYSTEM INSTL (SEE FIG. 1 FOR BALANCE OF . . . BREAKDOWN)	REF		
	206-076-029-003	HYDRAULIC SYSTEM INSTL (SEE FIG. 1 FOR BALANCE OF . . . BREAKDOWN)	REF		
	206-076-029-005	HYDRAULIC SYSTEM INSTL (SEE FIG. 1 FOR BALANCE OF . . . BREAKDOWN)	REF		
1	206-076-148-001	.TUBE ASSY, PRESSURE	1		
2	AN919-6	.REDUCER	1		
3	MS28778-4	.PACKING, PREFORMED	1		
4	206-076-390-001	.TUBE ASSY, RETURN	1		
5	AN525-10R14	.SCREW	1		
6	AN960PD10L	.WASHER (REPLACED BY AN960JD10L)	1		
6	AN960JD10L	.WASHER (REPLACES AN960PD10L)	1		
7	NAS43DD3-24N	.SPACER	1		
8	MS21919DG9	.CLAMP (REPLACED BY MS21919WDG9)	2		
8	MS21919WDG9	.CLAMP (REPLACES MS21919DG9)	2		
9	601002-6D0202	.HOSE ASSY	1		
		(ALTERNATE PART)			
9	156005-6D0202	.HOSE ASSY	1		
10	31-032-13A	.ID TAPE (SYSTEM I PRESSURE)	1		
11	601000-6D0180	.HOSE ASSY (REPLACED BY 70-010H000A180)	1		
		(ALTERNATE PART)			
11	156001-6D0180	.HOSE ASSY	1		
11	70-010H000A180	.HOSE ASSY (REPLACED BY 70-061H000A180A) (REPLACES 601000-6D0180)	1		
11	70-061H000A180A	.HOSE ASSY (REPLACES 70-010H000A180) (REPLACES . . . 601000-6D0180)	1		
12	31-032-12A	.ID TAPE (SYSTEM I PRESSURE)	1		
13	AN833-6D	.ELBOW	1		
14	MS28778-6	.PACKING, PREFORMED	1		
15	MS28773-06	.RETAINER	1		
16	AN6289D6	.NUT	1		
17	AN815-6D	.UNION	1		
18	MS28778-6	.PACKING, PREFORMED	1		
19	6000D6	.COUPLING HALF	1		
20	AN924-6D	.NUT	1		
21	6005E6	.NIPPLE	1		
22	AN919-6D	.REDUCER	1		
23	MS28778-4	.PACKING, PREFORMED	2		
24	AN941D4	.ELBOW	1		
25	6000D4	.COUPLING HALF	1		
26	6005D4	.NIPPLE	1		
27	MS28778-4	.PACKING, PREFORMED	1		
28	NAS679A3	.NUT (REPLACED BY MS21042L3)	2		
28	MS21042L3	.NUT (REPLACES NAS679A3)	2		
29	AN960PD10L	.WASHER (REPLACED BY AN960JD10L)	2		
29	AN960JD10L	.WASHER (REPLACES AN960PD10L)	2		
30	AN3-15A	.BOLT	2		

(1) INDEX NUMBER	(2) PART NUMBER	(3) ITEM NAME	(4) UNIT PER ASSY	(5) A V A I L	(6) U O C
		FIGURE: 29-3. Hydraulic system Installation (498 THRU SUB) (Cont'd)			
31	206-076-034-001	.FILTER ASSY (SEE FIG. 4 FOR BREAKDOWN) (REPLACED BY 206-076-034-103) (ALTERNATE PART)	1		
31	206-076-034-101	.FILTER ASSY (SEE FIG. 4 FOR BREAKDOWN) (REPLACED BY 206-076-034-103)	1		
31	206-076-034-103	.FILTER ASSY (SEE FIG. 4 FOR BREAKDOWN) (REPLACES 206-076-034-001 AND -101)	1		
32	AN3H3A	.BOLT	3		
33	AN960PD10L	.WASHER (REPLACED BY AN960JD10L)	3		
33	AN960JD10L	.WASHER (REPLACES AN960PD10L)	3		
34	206-076-198-001	.SUPPORT	1		
35	NAS679A3	.NUT (REPLACED BY MS21042L3)	1		
35	MS21042L3	.NUT (REPLACES NAS679A3)	1		
36	AN960PD10L	.WASHER (REPLACED BY AN960JD10L)	1		
36	AN960JD10L	.WASHER (REPLACES AN960PD10L)	1		
37	AN525-10R7	.SCREW	1		
38	MS21919DG7	.CLAMP (REPLACED BY MS21919WDG7)	1		
38	MS21919WDG7	.CLAMP (REPLACES MS21919DG7)	1		
39	601000-4-0190	.HOSE ASSY (REPLACED BY 70-010F000D190) (ALTERNATE PART)	1		
39	156001-45-0190	.HOSE ASSY	1		
39	70-010F000D190	.HOSE ASSY (REPLACED BY 70-061F000D190A) (REPLACES 601000-4-0190)	1		
39	70-061F000D190A	.HOSE ASSY (REPLACES 70-010F000D190) (REPLACES 601000-4-0190)	1		
40	31-032-30A	.ID TAPE (DRAIN)	1		
41	AN833-4D	.ELBOW	1		
42	MS28778-4	.PACKING, PREFORMED	1		
43	MS28773-04	.RETAINER	1		
44	AN6289D4	.NUT	1		
45	NAS679A4	.NUT (REPLACED BY MS21042L4)	3		
45	MS21042L4	.NUT (REPLACES NAS679A4)	3		
46	NAS1197-416	.WASHER	3		
	206-076-016-007	.PUMP AND REGULATOR ASSY (SEE FIG. 5 FOR BREAKDOWN) (REPLACED BY 206-076-016-009)	1		A
	206-076-016-009	.PUMP AND REGULATOR ASSY (SEE FIG. 5 FOR BREAKDOWN) (REPLACES 206-076-016-007) (REPLACED BY 206-076-016-101)	1		C
	206-076-016-101	.PUMP AND REGULATOR ASSY (SEE FIG. 5 FOR BREAKDOWN) (REPLACES 206-076-016-009)	1		C
47	206-076-172-001	.GASKET	1		
48	MS21042L3	.NUT	1		
49	AN960PD10L	.WASHER (REPLACED BY AN960JD10L)	1		
49	AN960JD10L	.WASHER (REPLACES AN960PD10L)	1		
50	AN525-10R6	.SCREW	1		
51	MS21919DG4	.CLAMP (REPLACED BY MS21919WDG4)	1		
51	MS21919WDG4	.CLAMP (REPLACES MS21919DG4)	1		
52	MS21919DG12	.CLAMP (REPLACED BY MS21919WDG12)	1		B
52	MS21919WDG12	.CLAMP (REPLACES MS21919DG12)	1		B

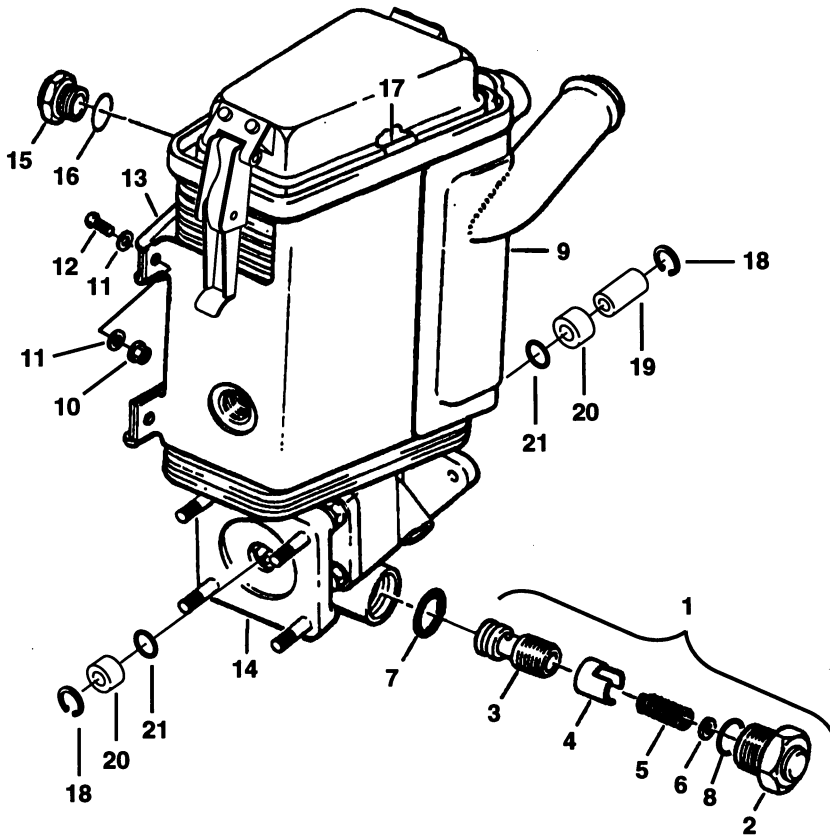
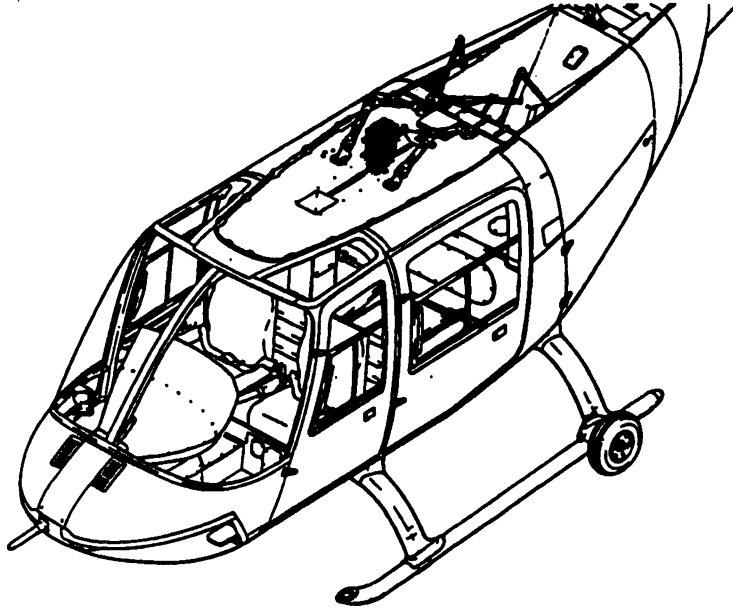
(1) INDEX NUMBER	(2) PART NUMBER	(3) ITEM NAME	(4) UNIT PER ASSY	(5) A V A I L	(6) U O C															
FIGURE: 29-3. Hydraulic system installation (498 THRU SUB) (Cont'd)																				
52	MS21919DG21	.CLAMP (REPLACED BY MS21919WDG21)	1		D															
52	MS21919WDG21	. (REPLACES MS21919DG21)	1		D															
53	206-076-363-001	.TUBE ASSY, SCUPPER DRAIN	1																	
54	AN924-4	.NUT	1																	
55	AN960-716	.WASHER	1																	
56	AN832-4	.UNION	1																	
57	206-076-388-001	.TUBE ASSY, SCUPPER DRAIN	1																	
58	AN924-4D	.NUT	1																	
59	AN837-4D	.ELBOW	1																	
60	AN960PD716	.WASHER (REPLACED BY AN960JD716)	1																	
60	AN960JD716	.WASHER (REPLACES AN960PD716)	1																	
61	MS27039-1-06	.SCREW	2																	
62	AN960PD10L	.WASHER (REPLACED BY AN960JD10L)	2																	
62	AN960JD10L	.WASHER (REPLACES AN960PD10L)	2																	
63	206-031-165-001	.SUPPORT	1																	
<p>USABLE ON CODES</p> <table border="0"> <thead> <tr> <th>CODE</th> <th>MODEL</th> <th>SERIAL NUMBER</th> </tr> </thead> <tbody> <tr> <td>A</td> <td>206A/B/BIII</td> <td>498-1163</td> </tr> <tr> <td>B</td> <td>206A/B/BIII</td> <td>498-3216</td> </tr> <tr> <td>C</td> <td>206B/BIII</td> <td>1164-SUB</td> </tr> <tr> <td>D</td> <td>206BIII</td> <td>3217-SUB</td> </tr> </tbody> </table> <p>1) UNLESS A USABLE ON PART NUMBER IS LISTED IN THE ITEM NAME COLUMN; NO CODE INDICATES THE PART APPLIES TO ALL SERIAL NUMBERS.</p> <p>2) IF THE SERIAL NUMBER IS BLANK THE PART APPLIES TO ALL SERIAL NUMBERS FOR THAT MODEL.</p>						CODE	MODEL	SERIAL NUMBER	A	206A/B/BIII	498-1163	B	206A/B/BIII	498-3216	C	206B/BIII	1164-SUB	D	206BIII	3217-SUB
CODE	MODEL	SERIAL NUMBER																		
A	206A/B/BIII	498-1163																		
B	206A/B/BIII	498-3216																		
C	206B/BIII	1164-SUB																		
D	206BIII	3217-SUB																		



206A/B/B3-29-1004
C0000

Figure 29-4. Filter assembly

(1) INDEX NUMBER	(2) PART NUMBER	(3) ITEM NAME	(4) UNIT PER ASSY	(5) A V A I L	(6) U O C									
		FIGURE: 29-4. Filter assembly												
	2546	FILTER ASSY (SEE FIG. 2 FOR NHA) (REPLACED BY 11-10762, 206-076-034-001 AND -103)	REF		A									
1	2373-1	.BODY	1											
2	MS28775-020	.PACKING, PREFORMED	1											
3	MS28774-020	.RETAINER, BACK-UP	1											
4	2373-5	.RETAINING RING	1											
5	2456-2	.ELEMENT	1											
	11-10762	FILTER ASSY (SEE FIG. 2 FOR NHA) (REPLACES 2546) . . (REPLACED BY 206-076-034-001 AND -103)	REF		B									
6	MS28775-117	.PACKING, PREFORMED	1											
7	MS28774-117	.RETAINER, BACK UP	1											
8	21-11213	.ELEMENT ASSY	1											
9	MS28775-011	.PACKING, PREFORMED	1											
	206-076-034-001	FILTER ASSY (SEE FIG. 2, 3 FOR NHA) (REPLACES 11-10762 AND 2546) (REPLACED BY 206-076-034-103) (ALTERNATE PART)	REF											
	206-076-034-101	FILTER ASSY (SEE FIG. 2, 3 FOR NHA) (REPLACED BY . . . 206-076-034-103)	REF											
	206-076-034-103	FILTER ASSY (SEE FIG. 2, 3 FOR NHA) (REPLACES 2546, 11-10762, 206-076-034-001 AND -101)	REF											
10	MS28775-117	.PACKING, PREFORMED (USBL ON 206-076-034-001) . . .	1											
10	MS28775-211	.PACKING, PREFORMED (USBL ON 206-076-034-101 AND . -103)	1											
11	MS28774-117	.RETAINER (USBL ON 206-076-034-001)	1											
11	MS28774-211	.RETAINER (USBL ON 206-076-034-101 AND -103)	1											
12	206-076-034-003	.ELEMENT	1											
13	MS28775-011	..PACKING, PREFORMED	1											
<p>USABLE ON CODES</p> <table border="1"> <thead> <tr> <th>CODE</th> <th>MODEL</th> <th>SERIAL NUMBER</th> </tr> </thead> <tbody> <tr> <td>A</td> <td>206A</td> <td>4-153</td> </tr> <tr> <td>B</td> <td>206A</td> <td>4-497</td> </tr> </tbody> </table>						CODE	MODEL	SERIAL NUMBER	A	206A	4-153	B	206A	4-497
CODE	MODEL	SERIAL NUMBER												
A	206A	4-153												
B	206A	4-497												
<p>1) UNLESS A USABLE ON PART NUMBER IS LISTED IN THE ITEM NAME COLUMN; NO CODE INDICATES THE PART APPLIES TO ALL SERIAL NUMBERS.</p> <p>2) IF THE SERIAL NUMBER IS BLANK THE PART APPLIES TO ALL SERIAL NUMBERS FOR THAT MODEL.</p>														



206A/B/B3-29-1005
C0000

Figure 29-5. Pump and regulator assembly

(1) INDEX NUMBER	(2) PART NUMBER	(3) ITEM NAME	(4) UNIT PER ASSY	(5) A V A I L	(6) U O C
		FIGURE: 29-5. Pump and regulator assembly			
	206-076-016-003	PUMP AND REGULATOR ASSY (SEE FIG. 2 FOR NHA)	REF		A
	206-076-016-005	PUMP AND REGULATOR ASSY (SEE FIG. 2 FOR NHA)	REF		B
	206-076-016-007	PUMP AND REGULATOR ASSY (SEE FIG. 2, 3 FOR NHA) (REPLACED BY 206-076-016-009 AND -101)	REF		D
	206-076-016-009	PUMP AND REGULATOR ASSY (SEE FIG. 2, 3 FOR NHA) (REPLACES 206-076-016-007) (REPLACED BY 206-076-016-101)	REF		E
	206-076-016-101	PUMP AND REGULATOR ASSY (SEE FIG. 2, 3 FOR NHA) (REPLACES 206-076-016-007 AND -009)	REF		E
1	206-076-015-001	.VALVE ASSY, PRESSURE REGULATOR (USBL ON 206-076-016-003, -005 AND -007) (REPLACED BY 206-076-015-003)	1		C
1	206-076-015-003	.VALVE ASSY, PRESSURE REGULATOR (REPLACES 206-076-015-001)	1		
2	206-076-143-001	..HOUSING	1		
3	206-076-139-001	..PISTON AND SLEEVE ASSY	1		
4	206-076-440-001	..BAFFLE (USBL ON 206-076-015-003)	1		
5	206-076-142-001	..SPRING	1		
6	AN960-4L	..WASHER (NOTE 1)	1		
7	MS28775-013	.PACKING, PREFORMED	1		
8	MS28778-8	.PACKING, PREFORMED	1		
9	206-076-009-001	.JACKET ASSY (USBL ON 206-076-016-003 AND -005) (REPLACED BY 206-076-009-101)	1		B
9	206-076-009-015	.JACKET ASSY (USBL ON 206-076-016-007 AND -009) (REPLACED BY 206-076-009-101)	1		E
9	206-076-009-101	.JACKET ASSY (REPLACES 206-076-009-001 AND -015)	1		
10	NAS679A08	..NUT (REPLACED BY MS21042L08)	2		
10	MS21042L08	..NUT (REPLACES NAS679A08)	2		
11	AN960PD8	..WASHER (NOTE 1) (REPLACED BY AN960JD8)	4		
11	AN960JD8	..WASHER (NOTE 1) (REPLACES AN960PD8)	4		
12	MS27039-0806	..SCREW	2		
13	206-076-009-011	..CHANNEL (USBL ON 206-076-009-001 AND -015)	1		
13	206-076-009-107	..CHANNEL (USBL ON 206-076-009-101)	1		
14	206-076-022-001	.PUMP AND RESERVOIR ASSY (USBL ON 206-076-016-003) (REPLACED BY 206-076-022-005)	1		A
14	206-076-022-003	.PUMP AND RESERVOIR (USBL ON 206-076-016-005) (REPLACED BY 206-076-022-005)	1		B
14	206-076-022-005	.PUMP AND RESERVOIR ASSY (REPLACES 206-076-022-001 AND -003) (ALTERNATE PART)	1		
14	206-076-022-101	.PUMP AND RESERVOIR ASSY	1		
15	S54TB	..SIGHT GLASS	1		
16	MS28778-12	..PACKING, PREFORMED (NOTE 2, 3) (USBL ON 206-076-022-005 AND -101)	1		
16	M83248/1-912	..PACKING, PREFORMED (NOTE 4) (REPLACED BY NAS617-12) (USBL ON 206-076-022-001, -003 AND -005)	1		
16	NAS617-12	..PACKING, PREFORMED (NOTE 4) (REPLACES M83248/1-912) (USBL ON 206-076-022-001, -003 AND -005)	1		

(1) INDEX NUMBER	(2) PART NUMBER	(3) ITEM NAME	(4) UNIT PER ASSY	(5) A V A I L	(6) U O C
FIGURE: 29-5. Pump and regulator assembly (Cont'd)					
17	850521-1	..GASKET (NOTE 2)	1		
17	5000853	..GASKET (NOTE 3)	1		
17	RB24359-2	..GASKET (NOTE 4)	1		
18	RRN-100C	..RING, RETAINING (NOTE 2) (USBL ON 206-076-022-101)	2		
18	MS16625-75	..RING, RETAINING (NOTE 3) (USBL ON 206-076-022-005)	2		
18	RA16482	..RING, RETAINING (NOTE 4) (USBL ON 206-076-022-001, -003 AND -005)	2		
19	850509-1	..COUPLING (NOTE 2) (USBL ON 206-076-022-101)	1		
19	01-13251	..DRIVE COUPLING (NOTE 3) (USBL ON 206-076-022-005)	1		
19	RD24336	..COUPLING (NOTE 4) (USBL ON 206-076-022-001, -003 AND -005)	1		
20	CR4985	..SEAL (NOTE 2) (USBL ON 206-076-022-101)	2		
20	99-4043	..SEAL (NOTE 3) (USBL ON 206-076-022-005)	2		
20	RB24598	..SEAL (NOTE 4) (USBL ON 206-076-022-001, -003 AND -005)	2		
21	MS28775-022	..PACKING, PREFORMED (NOTE 2) (USBL ON 206-076-022-101)	2		
21	MS28775-010	..PACKING, PREFORMED (NOTE 3) (USBL ON 206-076-022-005)	2		
21	M83248/1-912	..PACKING, PREFORMED (NOTE 4) (REPLACED BY NAS617-12) (USBL ON 206-076-022-001, -003 AND -005)	2		
21	NAS617-12	..PACKING, PREFORMED (NOTE 4) (REPLACES M83248/1-912) (USBL ON 206-076-022-001, -003 AND -005)	2		
NOTE 1: SEE BHT-206A/B SERIES CR&O FOR USAGE					
NOTE 2: USE WITH HAWKER PACIFIC PUMP AND RESERVOIR ASSY					
NOTE 3: USE WITH SUNSTRAND PUMP AND RESERVOIR ASSY					
NOTE 4: USE WITH LEAR SEIGLER PUMP AND RESERVOIR ASSY					

(1) INDEX NUMBER	(2) PART NUMBER	(3) ITEM NAME	(4) UNIT PER ASSY	(5) A V A I L	(6) U O C																		
		<p>FIGURE: 29-5. Pump and regulator assembly (Cont'd)</p> <p style="text-align: center;">USABLE ON CODES</p> <table border="0" style="margin-left: auto; margin-right: auto;"> <thead> <tr> <th style="text-align: left;">CODE</th> <th style="text-align: left;">MODEL</th> <th style="text-align: left;">SERIAL NUMBER</th> </tr> </thead> <tbody> <tr> <td>A</td> <td>206A</td> <td>4-153</td> </tr> <tr> <td>B</td> <td>206A</td> <td>154-413</td> </tr> <tr> <td>C</td> <td>206A/B</td> <td>4-1163</td> </tr> <tr> <td>D</td> <td>206A/B</td> <td>414-1163</td> </tr> <tr> <td>E</td> <td>206A/B/BIII</td> <td>414-SUB</td> </tr> </tbody> </table> <p>1) UNLESS A USABLE ON PART NUMBER IS LISTED IN THE ITEM NAME COLUMN; NO CODE INDICATES THE PART APPLIES TO ALL SERIAL NUMBERS.</p> <p>2) IF THE SERIAL NUMBER IS BLANK THE PART APPLIES TO ALL SERIAL NUMBERS FOR THAT MODEL.</p>	CODE	MODEL	SERIAL NUMBER	A	206A	4-153	B	206A	154-413	C	206A/B	4-1163	D	206A/B	414-1163	E	206A/B/BIII	414-SUB			
CODE	MODEL	SERIAL NUMBER																					
A	206A	4-153																					
B	206A	154-413																					
C	206A/B	4-1163																					
D	206A/B	414-1163																					
E	206A/B/BIII	414-SUB																					

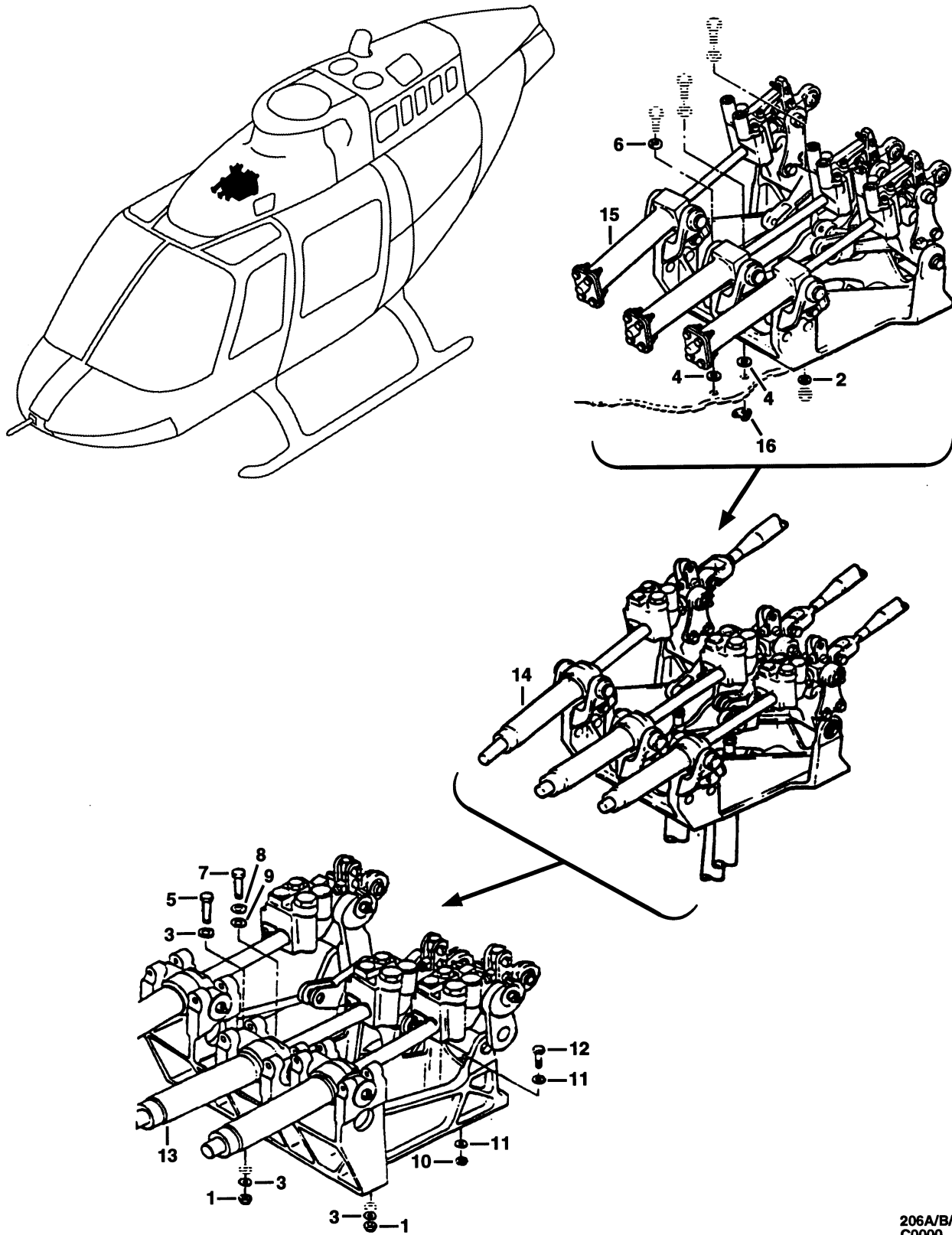


Figure 29-6. Cylinder and support assembly, cyclic and collective

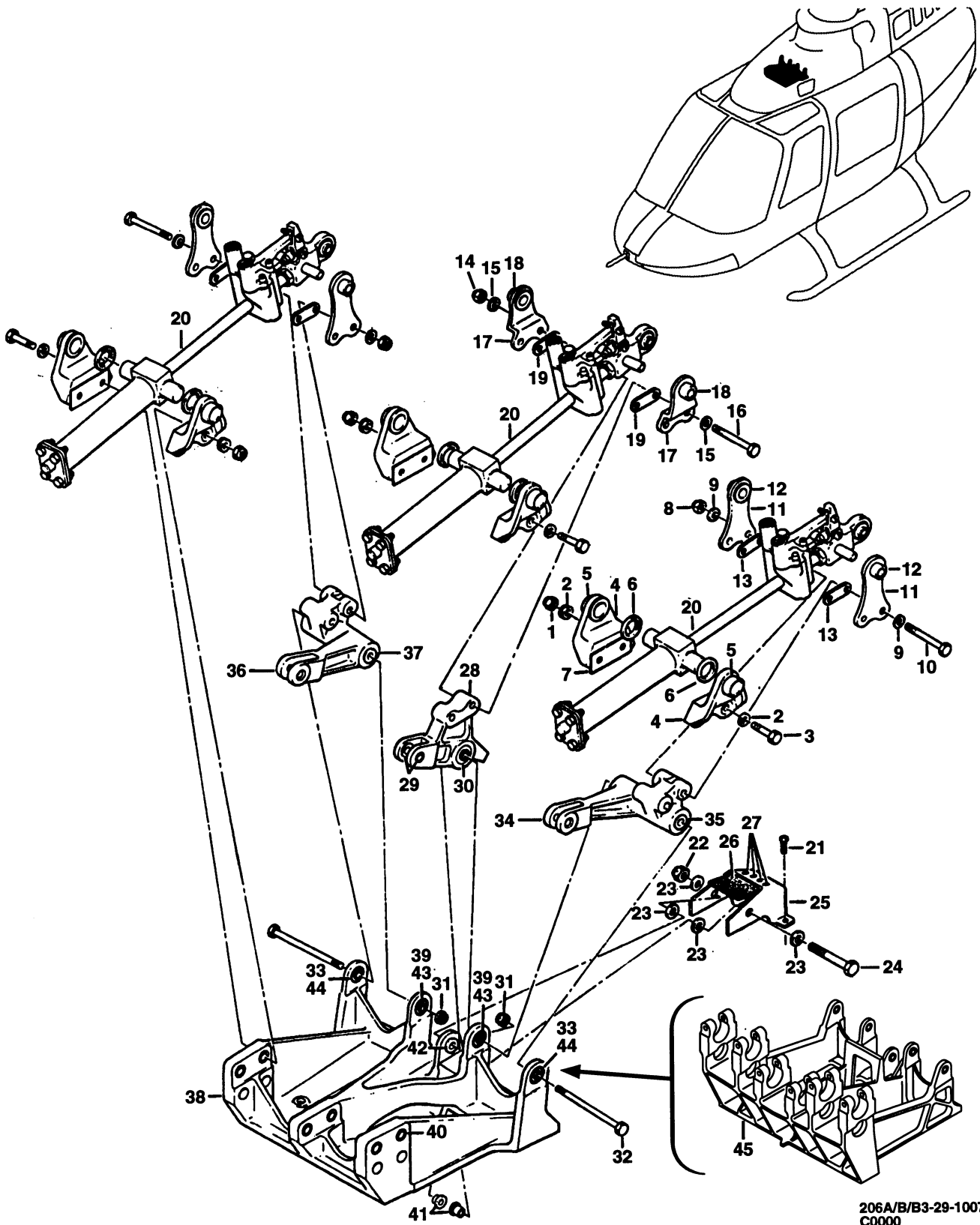
206A/B/B3-29-1006
C0000

(1) INDEX NUMBER	(2) PART NUMBER	(3) ITEM NAME	(4) UNIT PER ASSY	(5) A V A I L	(6) U O C
		FIGURE: 29-6. Cylinder and support assembly, cyclic and collective			
1	NAS679A5	NUT (REPLACED BY MS21042L5)	2		
1	MS21042L5	NUT (REPLACES NAS679A5)	2		
2	NAS1197-516	WASHER	2		H
3	AN960PD516	WASHER (REPLACED BY AN960JD516)	4		N
3	AN960JD516	WASHER (REPLACES AN960PD516)	4		N
4	206-001-570-001	WASHER	2		L
4	120-038E16-10	SHIM, (NOTE 1)	2		N
5	NAS6605-11	BOLT	2		H
5	NAS6605-12	BOLT	2		N
6	NAS1197-516	WASHER	2		H
7	NAS6605-12	BOLT	2		N
8	NAS1197-516	WASHER	2		H
8	AN960PD516	WASHER (REPLACED BY AN960JD516)	2		N
8	AN960JD516	WASHER (REPLACES AN960PD516)	2		N
9	206-001-570-001	WASHER	2		L
9	120-038E16-10	SHIM (NOTE 1)	2		N
10	NAS679A5	NUT (REPLACED BY MS21042L5)	2		
10	MS21042L5	NUT (REPLACES NAS679A5)	2		
11	NAS1197-516	WASHER	4		H
11	AN960PD516	WASHER (REPLACED BY AN960JD516)	4		N
11	AN960JD516	WASHER (REPLACES AN960PD516)	4		N
12	NAS6605-9	BOLT	2		H
12	NAS1305-11	BOLT (REPLACED BY NAS6605-11)	2		N
12	NAS6605-11	BOLT (REPLACES NAS1305-11)	2		N
	206-001-009-007	CYLINDER AND SUPPORT ASSY (PRE T.B. 206-82-78) . . . (SEE FIG. 9 FOR POST T.B. 206-82-78) (SEE FIG. 7 FOR BREAKDOWN)	1		A
	206-001-009-011	CYLINDER AND SUPPORT ASSY (PRE T.B. 206-82-78) . . . (SEE FIG. 9 FOR POST T.B. 206-82-78) (SEE FIG. 7 FOR BREAKDOWN)	1		B
	206-001-009-015	CYLINDER AND SUPPORT ASSY (PRE T.B. 206-82-78) . . . (SEE FIG. 9 FOR POST T.B. 206-82-78) (SEE FIG. 7 FOR BREAKDOWN)	1		C
	206-001-009-023	CYLINDER AND SUPPORT ASSY (PRE T.B. 206-82-78) . . . (SEE FIG. 9 FOR POST T.B. 206-82-78) (SEE FIG. 7 FOR BREAKDOWN)	1		D
	206-001-009-019	CYLINDER AND SUPPORT ASSY (PRE T.B. 206-82-78) . . . (SEE FIG. 9 FOR POST T.B. 206-82-78) (SEE FIG. 7 FOR BREAKDOWN)	1		F
	206-001-041-003	CYLINDER AND SUPPORT ASSY (PRE T.B. 206-82-78) . . . (SEE FIG. 9 FOR POST T.B. 206-82-78) (SEE FIG. 8 FOR BREAKDOWN)	1		G
	206-001-041-007	CYLINDER AND SUPPORT ASSY (PRE T.B. 206-82-78) . . . (SEE FIG. 9 FOR POST T.B. 206-82-78) (SEE FIG. 8 FOR BREAKDOWN)	1		J
	206-001-041-015	CYLINDER AND SUPPORT ASSY (PRE T.B. 206-82-78) . . . (SEE FIG. 9 FOR POST T.B. 206-82-78) (SEE FIG. 8 FOR BREAKDOWN)	1		K

(1) INDEX NUMBER	(2) PART NUMBER	(3) ITEM NAME	(4) UNIT PER ASSY	(5) A V A I L	(6) U O C
		FIGURE: 29-6. Cylinder and support assembly, cyclic and collective (Cont'd)			
	206-001-045-003	CYLINDER AND SUPPORT ASSY (PRE AND POST T.B. 206-82-78) (SEE FIG. 9 FOR BREAKDOWN)	1		M
	206-001-045-105	CYLINDER AND SUPPORT ASSY (SEE FIG. 9 FOR BREAKDOWN)	1		P
13	206-076-023-001	.SERVO ACTUATOR (POST TB:206-82-78) (REPLACED BY . 41103750-003 AND -017)	3		A
13	206-076-023-003	.SERVO ACTUATOR (POST TB:206-82-78) (REPLACED BY . 41103750-003 AND -017)	3		B
13	41103750-002	.SERVO ACTUATOR (POST TB:206-82-78) (REPLACED BY . 41103750-003 AND -017)	3		C
		(ALTERNATE PART)			
13	41103750-013	.SERVO ACTUATOR (POST TB:206-82-78) (REPLACED BY . 41103750-017)	3		F
13	41103750-003	.SERVO ACTUATOR (POST TB:206-82-78) (REPLACES . . . 206-076-023-001, -003 AND 41103750-002) (REPLACED BY 41103750-017)	3		F
13	41103750-017	.SERVO ACTUATOR (POST TB:206-82-78) (REPLACES . . . 206-076-031-001, -003, 41103750-002, -003 AND -013)	3		FF
13	206-076-031-001	.SERVO ACTUATOR (POST TB:206-82-78) (REPLACED BY . 206-076-031-005 AND -015)	3		G
13	206-076-031-005	.SERVO ACTUATOR (POST TB:206-82-78) (REPLACES . . . 206-076-031-001) (REPLACED BY 206-076-031-015)	3		G
13	206-076-031-015	.SERVO ACTUATOR (POST TB:206-82-78) (REPLACES . . . 206-076-031-001 AND -005)	3		G
13	206-076-031-003	.SERVO ACTUATOR (POST TB:206-82-78) (REPLACED BY . 206-076-031-007, -013, -021 AND -107)	3		H
13	206-076-031-007	.SERVO ACTUATOR (POST TB:206-82-78) (REPLACES . . . 206-076-031-003) (REPLACED BY 206-076-031-013, -021 AND -107)	3		K
13	206-076-031-013	.SERVO ACTUATOR (POST TB:206-82-78) (REPLACES . . . 206-076-031-003 AND -007) (REPLACED BY 206-076-031-021 AND -107)	3		K
13	206-076-031-021	.SERVO ACTUATOR (POST TB:206-82-78) (REPLACES . . . 206-076-031-003, -007 AND -013) (REPLACED BY 206-076-031-107)	3		K
13	206-076-031-107	.SERVO ACTUATOR (POST TB:206-82-78) (REPLACES . . . 206-076-031-003, -007 AND -021)	3		K
		(ALTERNATE PART)			
13	206-076-031-109	.SERVO ACTUATOR (POST TB:206-82-78)	3		K
13	206-076-031-017	.SERVO ACTUATOR (POST TB:206-82-78) (REPLACED BY . 206-076-031-023 AND -109)	3		N
13	206-076-031-023	.SERVO ACTUATOR (POST TB:206-82-78) (REPLACES . . . 206-076-031-017) (REPLACED BY 206-076-031-109)	3		N
13	206-076-031-109	.SERVO ACTUATOR (POST TB:206-82-78) (REPLACES . . . 206-076-031-017 AND -023)	3		N
14	206-076-031-003	.SERVO ACTUATOR (PRE TB:206-82-78) (REPLACED BY . . 206-076-031-007, -013, -021 AND -107)	3		G

(1) INDEX NUMBER	(2) PART NUMBER	(3) ITEM NAME	(4) UNIT PER ASSY	(5) A V A I L	(6) U O C
		FIGURE: 29-6. Cylinder and support assembly, cyclic and collective (Cont'd)			
14	206-076-031-007	.SERVO ACTUATOR (PRE TB:206-82-78) (REPLACES 206-076-031-003) (REPLACED BY 206-076-031-013, -021 AND -107)	3		J
14	206-076-031-013	.SERVO ACTUATOR (PRE TB:206-82-78) (REPLACES 206-076-031-003 AND -007) (REPLACED BY 206-076-031-021 AND -107)	3		J
14	206-076-031-021	.SERVO ACTUATOR (PRE TB:206-82-78) (REPLACES 206-076-031-003, -007 AND -013) (REPLACED BY 206-076-031-107)	3		J
14	206-076-031-107	.SERVO ACTUATOR (PRE TB:206-82-78) (REPLACES 206-076-031-003, -007, -013 AND -021) (ALTERNATE PART)	3		J
14	206-076-031-109	.SERVO ACTUATOR	3		J
15	206-076-023-001	.SERVO ACTUATOR (PRE TB:206-82-78) (REPLACED BY . . 41103750-003 AND -017)	3		A
15	206-076-023-003	.SERVO ACTUATOR (PRE TB:206-82-78) (REPLACED BY . . 41130-3750-003 AND -017)	3		B
15	41103750-002	.SERVO ACTUATOR (PRE TB:206-82-78) (REPLACED BY . . 41103750-003 AND -017) (ALTERNATE PART)	3		C
15	41103750-013	.SERVO ACTUATOR (PRE TB:206-82-78) (REPLACED BY . . 41103750-017)	3		E
15	41103750-003	.SERVO ACTUATOR (PRE TB:206-82-78) (REPLACES 206-076-031-001, -003 AND 41103750-002) (REPLACED BY 41103750-017)	3		E
15	41103750-017	.SERVO ACTUATOR (PRE TB:206-82-78) (REPLACES 206-076-031-001, -003, 41103750-002, -003 AND -013)	3		EF
15	206-076-031-001	.SERVO ACTUATOR (PRE TB:206-82-78) (REPLACES 206-076-031-005 AND -015)	3		F
15	206-076-031-005	.SERVO ACTUATOR (PRE TB:206-82-78) (REPLACES 206-076-031-001) (REPLACED BY 206-076-031-015)	3		F
15	206-076-031-015	.SERVO ACTUATOR (PRE TB:206-82-78) (REPLACES 206-076-031-001 AND -005)	3		F
16	NAS698A5	NUTPLATE (REPLACED BY MS21073L5)	2		
16	MS21073L5	NUTPLATE (REPLACES NAS698A5)	2		
		NOTE 1: SEE BHT-206A/B SERIES-MM FOR USAGE			

(1) INDEX NUMBER	(2) PART NUMBER	(3) ITEM NAME	(4) UNIT PER ASSY	(5) A V A I L	(6) U O C																																																
		<p>FIGURE: 29-6. Cylinder and support assembly, cyclic and collective (Cont'd)</p> <p style="text-align: center;">USABLE ON CODES</p> <table border="0" style="width: 100%;"> <thead> <tr> <th style="text-align: left;">CODE</th> <th style="text-align: left;">MODEL</th> <th style="text-align: left;">SERIAL NUMBER</th> </tr> </thead> <tbody> <tr><td>A</td><td>206A</td><td>4-153</td></tr> <tr><td>B</td><td>206A</td><td>154-413</td></tr> <tr><td>C</td><td>206A</td><td>414-439</td></tr> <tr><td>D</td><td>206A</td><td>440-497</td></tr> <tr><td>E</td><td>206A</td><td>4-497</td></tr> <tr><td>F</td><td>206A</td><td>498-550</td></tr> <tr><td>G</td><td>206A/B</td><td>551-913</td></tr> <tr><td>H</td><td>206A/B/BIII</td><td>4-2622</td></tr> <tr><td>J</td><td>206A/B/BIII</td><td>551-2622</td></tr> <tr><td>K</td><td>206B/BIII</td><td>914-1662</td></tr> <tr><td>L</td><td>206B/BIII</td><td>1663-2622</td></tr> <tr><td>M</td><td>206B/BIII</td><td>1999-2622</td></tr> <tr><td>N</td><td>206BIII</td><td>2623-3446</td></tr> <tr><td>P</td><td>206BIII</td><td>2623-SUB</td></tr> <tr><td>Q</td><td>206BIII</td><td>3447-SUB</td></tr> </tbody> </table> <p>1) UNLESS A USABLE ON PART NUMBER IS LISTED IN THE ITEM NAME COLUMN; NO CODE INDICATES THE PART APPLIES TO ALL SERIAL NUMBERS.</p> <p>2) IF THE SERIAL NUMBER IS BLANK THE PART APPLIES TO ALL SERIAL NUMBERS FOR THAT MODEL.</p>	CODE	MODEL	SERIAL NUMBER	A	206A	4-153	B	206A	154-413	C	206A	414-439	D	206A	440-497	E	206A	4-497	F	206A	498-550	G	206A/B	551-913	H	206A/B/BIII	4-2622	J	206A/B/BIII	551-2622	K	206B/BIII	914-1662	L	206B/BIII	1663-2622	M	206B/BIII	1999-2622	N	206BIII	2623-3446	P	206BIII	2623-SUB	Q	206BIII	3447-SUB			
CODE	MODEL	SERIAL NUMBER																																																			
A	206A	4-153																																																			
B	206A	154-413																																																			
C	206A	414-439																																																			
D	206A	440-497																																																			
E	206A	4-497																																																			
F	206A	498-550																																																			
G	206A/B	551-913																																																			
H	206A/B/BIII	4-2622																																																			
J	206A/B/BIII	551-2622																																																			
K	206B/BIII	914-1662																																																			
L	206B/BIII	1663-2622																																																			
M	206B/BIII	1999-2622																																																			
N	206BIII	2623-3446																																																			
P	206BIII	2623-SUB																																																			
Q	206BIII	3447-SUB																																																			



206A/B/B3-29-1007
C0000

Figure 29-7. Cylinder and support assembly, cyclic and collective (PRE T.B. 206-82-78) (4 THRU 550)

(1) INDEX NUMBER	(2) PART NUMBER	(3) ITEM NAME	(4) UNIT PER ASSY	(5) A V A I L	(6) U O C
		FIGURE: 29-7. Cylinder and support assembly, cyclic and collective (PRE T.B. 206-82-78) (4 THRU 550)			
	206-001-009-007	CYLINDER AND SUPPORT ASSY (PRE T.B. 206-82-78) . . . (SEE FIG. 9 FOR POST T.B. 206-82-78) (SEE FIG. 6 FOR NHA)	REF		B
	206-001-009-011	CYLINDER AND SUPPORT ASSY (PRE T.B. 206-82-78) . . . (SEE FIG. 9 FOR POST T.B. 206-82-78) (SEE FIG. 6 FOR NHA)	REF		C
	206-001-009-015	CYLINDER AND SUPPORT ASSY (PRE T.B. 206-82-78) . . . (SEE FIG. 9 FOR POST T.B. 206-82-78) (SEE FIG. 6 FOR NHA)	REF		D
	206-001-009-023	CYLINDER AND SUPPORT ASSY (PRE T.B. 206-82-78) . . . (SEE FIG. 9 FOR POST T.B. 206-82-78) (SEE FIG. 6 FOR NHA)	REF		G
	206-001-009-019	CYLINDER AND SUPPORT ASSY (PRE T.B. 206-82-78) . . . (SEE FIG. 9 FOR POST T.B. 206-82-78) (SEE FIG. 6 FOR NHA)	REF		H
1	NAS679A5	.NUT (REPLACED BY MS21042L5)	6		
1	MS21042L5	.NUT (REPLACES NAS679A5)	6		
2	NAS1197-516	.WASHER (NOTE 1)	18		
3	NAS6605-18	.BOLT	6		
4	206-001-523-001	.PLATE	6		
5	206-010-421-005	..BUSHING	1		
6	206-001-500-001	.SPACER (NOTE 1)	6		A
6	206-001-532-001	.SPACER (NOTE 1)	6		F
7	206-001-533-001	.SHIM (NOTE 1)	6		F
7	120-007C38-25	.SHIM (NOTE 1)	6		H
8	NAS679A4	.NUT (REPLACED BY MS21042L4)	4		
8	MS21042L4	.NUT (REPLACES NAS679A4)	4		
9	AN960PD416	.WASHER (REPLACED BY AN960JD416)	8		
9	AN960JD416	.WASHER (REPLACES AN960PD416)	8		
10	AN174-24A	.BOLT	4		
11	206-001-529-001	.PLATE ASSY	4		
12	206-010-421-007	..BUSHING	1		
13	206-001-534-003	.SHIM (NOTE 1)	4		
14	NAS679A4	.NUT (REPLACED BY MS21042L4)	2		
14	MS21042L4	.NUT (REPLACES NAS679A4)	2		
15	NAS1197-416	.WASHER	4		
16	AN174-17A	.BOLT	2		
17	206-001-525-001	.PLATE	2		
18	206-010-421-007	..BUSHING	1		
19	206-001-534-001	.SHIM (NOTE 1)	2		
20	206-076-023-001	.SERVO ACTUATOR (PRE TB:206-82-78) (SEE FIG.6 FOR NHA) (REPLACED BY 41103750-003 AND -017)	REF		B
20	206-076-023-003	.SERVO ACTUATOR (PRE TB:206-82-78) (SEE FIG.6 FOR NHA) (REPLACED BY 41103750-003 AND -017)	REF		C
20	41103750-002	.SERVO ACTUATOR (PRE TB:206-82-78) (SEE FIG.6 FOR NHA) (REPLACED BY 41103750-003 AND -017) (ALTERNATE PART)	REF		D

(1) INDEX NUMBER	(2) PART NUMBER	(3) ITEM NAME	(4) UNIT PER ASSY	(5) A V A I L	(6) U O C
		FIGURE: 29-7. Cylinder and support assembly, cyclic and collective (PRE T.B. 206-82-78) (4 THRU 550) (Cont'd)			
20	41103750-013	.SERVO ACTUATOR (PRE TB:206-82-78) (SEE FIG.6 FOR NHA) (REPLACED BY 41103750-017)	REF		E
20	41103750-003	.SERVO ACTUATOR (PRE TB:206-82-78) (SEE FIG.6 FOR NHA) (REPLACES 206-076-023-001, -003 AND 41103750-002) (REPLACED BY 41103750-017)	REF		E
20	41103750-017	.SERVO ACTUATOR (PRE TB:206-82-78) (SEE FIG.6 FOR NHA) (REPLACES 206-076-023-001, -003, 41103750-002, - 003 AND -013)	REF		E
20	206-076-031-001	.SERVO ACTUATOR (PRE TB:206-82-78) (SEE FIG.6 FOR NHA) (REPLACED BY 206-076-031-005 AND -015)	REF		H
20	206-076-031-005	.SERVO ACTUATOR (PRE TB:206-82-78) (SEE FIG.6 FOR NHA) (REPLACES 206-076-031-001) (REPLACED BY 206-076-031-015)	REF		H
20	206-076-031-015	.SERVO ACTUATOR (PRE TB:206-82-78) (SEE FIG.6 FOR NHA) (REPLACES 206-076-031-001 AND -005)	REF		H
21	MS27039DD0808	.SCREW	2		
22	MS17825-5	.NUT (REPLACED BY MS14144L5)	1		
22	MS14144L5	.NUT (REPLACES MS17825-5)	1		
23	NAS1197-516	.WASHER	4		
24	AN175-22	.BOLT	1		
25	206-001-012-001	.COVER ASSY	1		BC
25	206-001-012-007	.COVER ASSY	1		DGH
26	206-001-012-005	..FLIPPER	1		BC
26	206-001-012-011	..FLIPPER	1		DGH
27	MS27183-2	..WASHER	4		DGH
28	206-001-522-001	.BELLCRANK ASSY	1		
29	22-006-15-17-16	..BUSHING	2		
30	DW5	..BEARING (REPLACED BY MS27647-5)	1		
30	MS27647-5	..BEARING (REPLACES DW5)	1		
31	MS17825-4	.NUT (REPLACED BY MS14144L4)	2		
31	MS14144L4	.NUT (REPLACES MS17825-4)	2		
32	AN174-46	.BOLT	2		
33	MS27641-4	.BEARING	2		
34	206-001-502-005	.BELLCRANK ASSY	1		
35	22-006-15-28-16	..BUSHING	2		
36	206-001-502-006	.BELLCRANK ASSY	1		
37	22-006-15-28-16	..BUSHING	2		
38	206-001-520-005	.SUPPORT ASSY, CYLINDER (PRE T.B. 206-82-78) (REPLACED BY 206-001-566-101)	1		
39	MS20201KP4A	..BEARING (REPLACED BY MS27641-4)	2		
39	MS27641-4	..BEARING (REPLACES MS20201KP4A)	2		
40	21-007-9.5-15.5	..BUSHING	6		
41	22-006-15-18-16	..BUSHING	2		
42	22-007-19-17-18	..BUSHING	2		
43	120-012-4A	..SLEEVE	2		
44	120-012-4S	..SLEEVE	2		

(1) INDEX NUMBER	(2) PART NUMBER	(3) ITEM NAME	(4) UNIT PER ASSY	(5) A V A I L	(6) U O C																											
45	206-001-566-101	<p>FIGURE: 29-7. Cylinder and support assembly, cyclic and collective (PRE T.B. 206-82-78) (4 THRU 550) (Cont'd)</p> <p>.SUPPORT ASSY, CYLINDER (POST T.B. 206-82-78) (SEE FIG. 9 FOR BREAKDOWN) (REPLACES 206-001-520-005)</p> <p>NOTE 1: SEE BHT-206A/B SERIES-MM FOR USAGE</p> <p style="text-align: center;">USABLE ON CODES</p> <table border="0" style="margin-left: auto; margin-right: auto;"> <thead> <tr> <th style="text-align: left;">CODE</th> <th style="text-align: left;">MODEL</th> <th style="text-align: left;">SERIAL NUMBER</th> </tr> </thead> <tbody> <tr><td>A</td><td>206A</td><td>4-53</td></tr> <tr><td>B</td><td>206A</td><td>4-153</td></tr> <tr><td>C</td><td>206A</td><td>154-413</td></tr> <tr><td>D</td><td>206A</td><td>414-439</td></tr> <tr><td>E</td><td>206A</td><td>4-497</td></tr> <tr><td>F</td><td>206A</td><td>54-497</td></tr> <tr><td>G</td><td>206A</td><td>440-497</td></tr> <tr><td>H</td><td>206A</td><td>498-550</td></tr> </tbody> </table> <p>1) UNLESS A USABLE ON PART NUMBER IS LISTED IN THE ITEM NAME COLUMN; NO CODE INDICATES THE PART APPLIES TO ALL SERIAL NUMBERS.</p> <p>2) IF THE SERIAL NUMBER IS BLANK THE PART APPLIES TO ALL SERIAL NUMBERS FOR THAT MODEL.</p>	CODE	MODEL	SERIAL NUMBER	A	206A	4-53	B	206A	4-153	C	206A	154-413	D	206A	414-439	E	206A	4-497	F	206A	54-497	G	206A	440-497	H	206A	498-550	1		
CODE	MODEL	SERIAL NUMBER																														
A	206A	4-53																														
B	206A	4-153																														
C	206A	154-413																														
D	206A	414-439																														
E	206A	4-497																														
F	206A	54-497																														
G	206A	440-497																														
H	206A	498-550																														

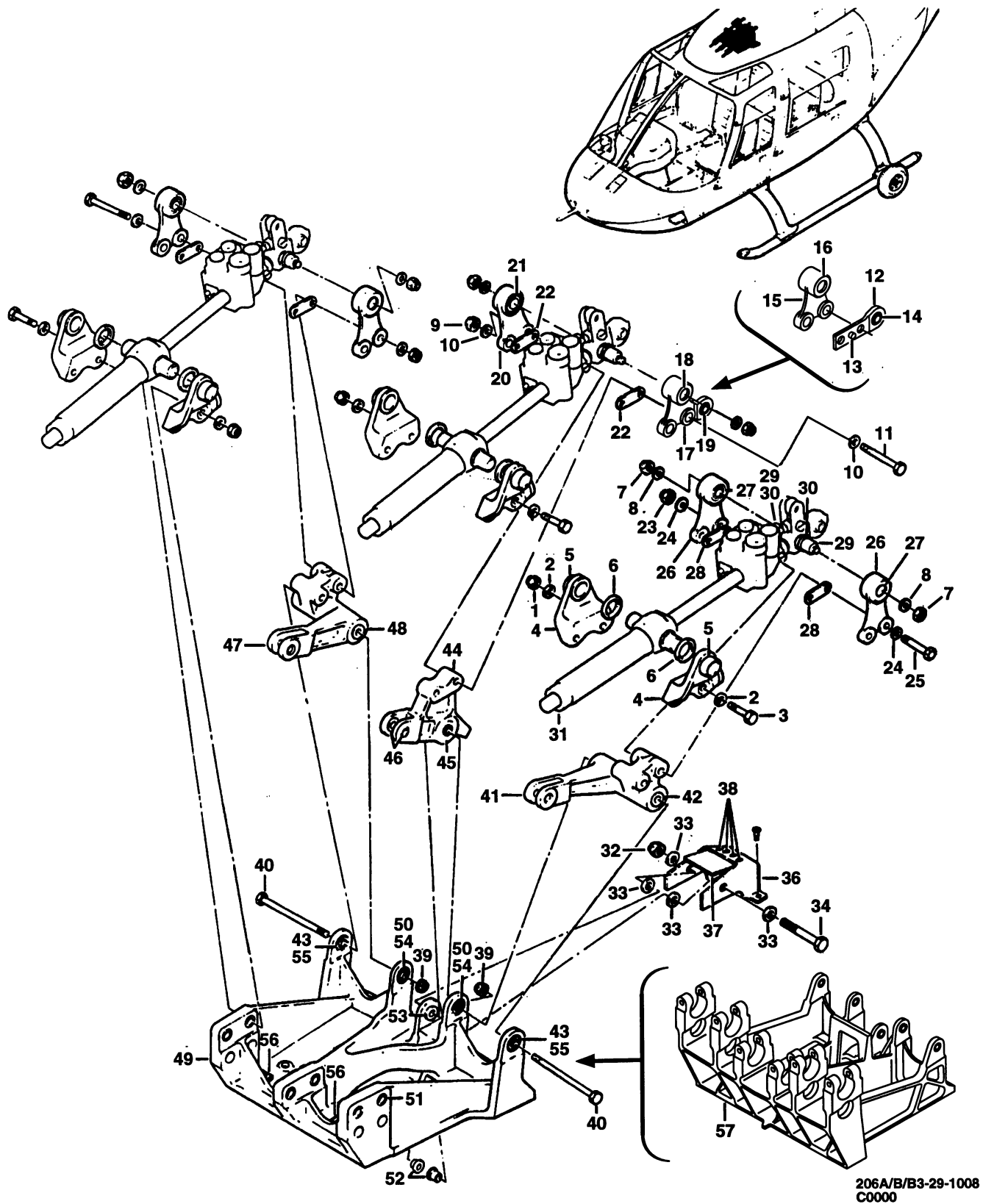
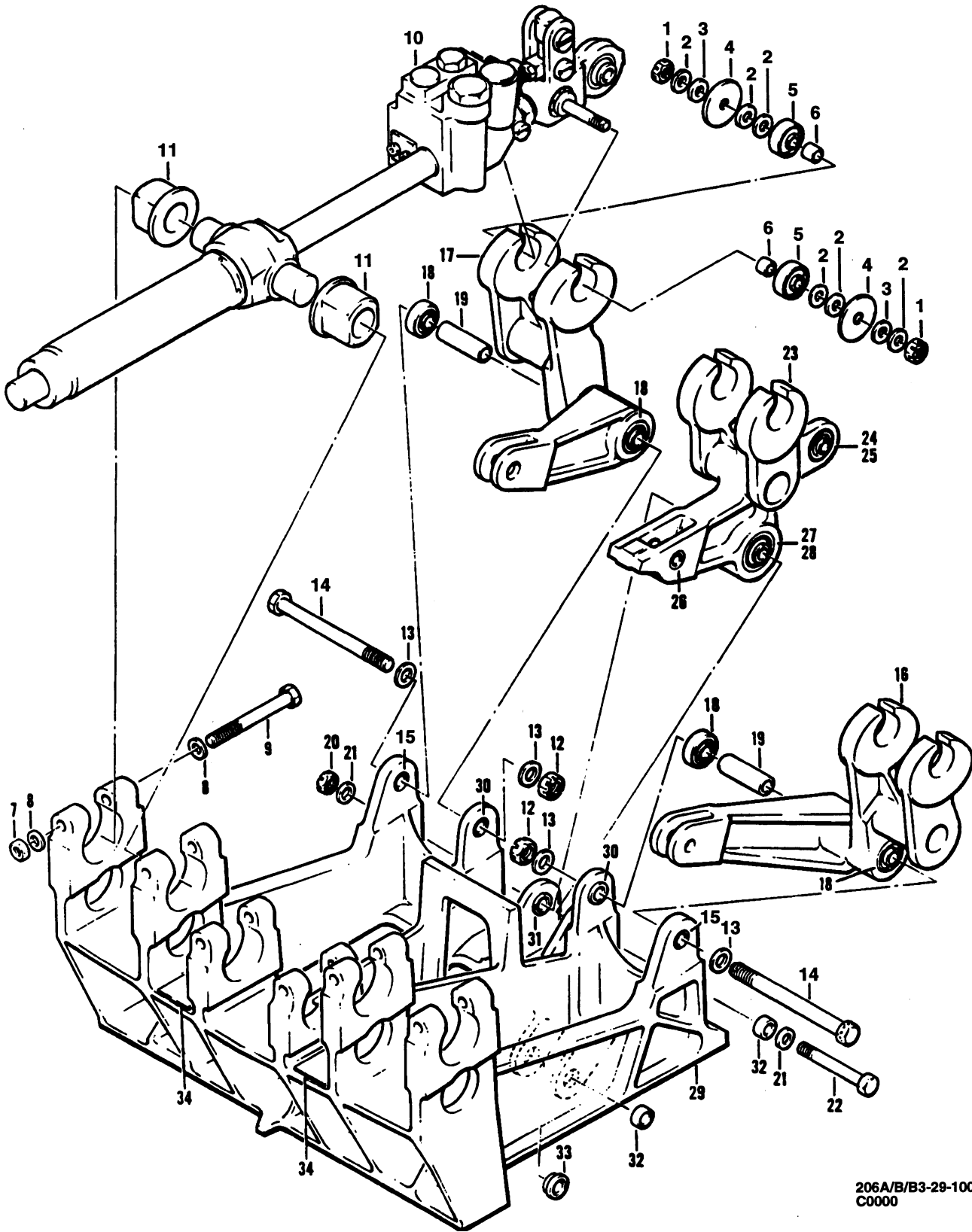


Figure 29-8. Cylinder and support assembly, cyclic and collective (PRE T.B. 206-82-78) (551 THRU 2622)

(1) INDEX NUMBER	(2) PART NUMBER	(3) ITEM NAME	(4) UNIT PER ASSY	(5) A V A I L	(6) U O C
		FIGURE: 29-8. Cylinder and support assembly, cyclic and collective (PRE T.B. 206-82-78) (551 THRU 2622)			
	206-001-041-003	CYLINDER AND SUPPORT ASSY (PRE T.B. 206-82-78) (SEE FIG. 9 FOR POST T.B. 206-82-78) (S/N 551 THRU 913) (SEE FIG. 6 FOR NHA)	REF		A
	206-001-041-007	CYLINDER AND SUPPORT ASSY (PRE T.B. 206-82-78) (SEE FIG. 9 FOR POST T.B. 206-82-78) (S/N 914 THRU 1662) (SEE FIG. 6 FOR NHA)	REF		C
	206-001-041-015	CYLINDER AND SUPPORT ASSY (PRE T.B. 206-82-78) (SEE FIG. 9 FOR POST T.B. 206-82-78) (S/N 1663 THRU SUB) (SEE FIG. 6 FOR NHA)	REF		D
1	NAS679A5	.NUT (REPLACED BY MS21042L5)	6		
1	MS21042L5	.NUT (REPLACES NAS679A5)	6		
2	NAS1197-516	.WASHER	12		
3	NAS6605-18	.BOLT (REPLACED BY 20-057-5-18D)	6		B
3	20-057-4-18D	.BOLT (REPLACES NAS6605-18)	6		
4	206-001-523-001	.PLATE (REPLACED BY 206-001-523-101)	6		
4	206-001-523-101	.PLATE (REPLACES 206-001-523-001)	6		
5	206-010-421-005	..BUSHING	1		
6	120-007C338-25	.SHIM (NOTE 1)	6		
7	MS17826-5	.NUT (REPLACED BY MS14145L5)	6		
7	MS14145L5	.NUT (REPLACES MS17826-5)	6		
8	AN960C516L	.WASHER	6		
9	NAS679A4	.NUT (REPLACED BY MS21042L4)	2		
9	MS21042L4	.NUT (REPLACES NAS679A4)	2		
10	AN960PD416	.WASHER (REPLACED BY AN960JD416)	4		
10	AN960JD416	.WASHER (REPLACES AN960PD416)	4		
11	NAS6604-26	.BOLT	2		AD
11	20-057-4-26	.BOLT	2		AD
11	NAS6604-28	.BOLT (REPLACED BY 20-057-4-28)	2		C
11	20-057-4-28	.BOLT (REPLACES NAS6604-28)	2		C
12	206-001-539-005	.PLATE ASSY	1		C
13	NAS42DD4-12	..SPACER	1		
14	RSST-3	..BEARING	1		
15	206-001-540-001	.PLATE ASSY	1		B
16	JHTT89	..BEARING	1		
17	206-001-562-001	.PLATE ASSY	1		D
18	JHTT89	..BEARING	1		
19	MS21233-3	..BEARING (REPLACED BY MS14104-3)	1		
19	MS14104-3	..BEARING (REPLACES MS21233-3)	1		
20	206-001-540-001	.PLATE ASSY	1		
21	JHTT89	..BEARING	1		
22	206-001-534-001	.SHIM (NOTE 1)	2		
23	NAS679A4	.NUT (REPLACED BY MS21042L4)	4		
23	MS21042L4	.NUT (REPLACES NAS679A4)	4		
24	AN960PD416	.WASHER (REPLACED BY AN960JD416)	8		
24	AN960JD416	.WASHER (REPLACES AN960PD416)	8		
25	AN174-27A	.BOLT	4		
26	206-001-541-001	.PLATE ASSY	4		
27	JHTT89	..BEARING	1		

(1) INDEX NUMBER	(2) PART NUMBER	(3) ITEM NAME	(4) UNIT PER ASSY	(5) A V A I L	(6) U O C
		FIGURE: 29-8. Cylinder and support assembly, cyclic and collective (PRE T.B. 206-82-78) (551 THRU 2622) (Cont'd)			
28	206-001-534-003	.SHIM (NOTE 1)	4		
29	206-001-542-001	.SLEEVE	6		
30	206-001-543-001	.WASHER	6		
31	206-076-031-003	.SERVO ACTUATOR (PRE TB:206-82-78) (SEE FIG.6 FOR NHA) (REPLACED BY 206-076-031-007, -013, -021 AND -107)	REF		A
31	206-076-031-007	.SERVO ACTUATOR (PRE TB:206-82-78) (SEE FIG.6 FOR NHA) (REPLACES 206-076-031-003) (REPLACED BY 206-076-031-013, -021 AND -107)	REF		E
31	206-076-031-013	.SERVO ACTUATOR (PRE TB:206-82-78) (SEE FIG.6 FOR NHA) (REPLACES 206-076-031-003 AND -007) (REPLACED BY 206-076-031-021 AND -107)	REF		E
31	206-076-031-021	.SERVO ACTUATOR (PRE TB:206-82-78) (SEE FIG.6 FOR NHA) (REPLACES 206-076-031-003, -007 AND -013) (REPLACED BY 206-076-031-107)	REF		E
31	206-076-031-107	.SERVO ACTUATOR (PRE TB:206-82-78) (SEE FIG.6 FOR NHA) (REPLACES 206-076-031-003, -007, -013 AND -021)	REF		E
		(ALTERNATE PART)			
31	206-076-031-109	.SERVO ACTUATOR (PRE TB:206-82-78) (SEE FIG.6 FOR NHA)	REF		E
32	MS17825-5	.NUT (REPLACED BY MS14144L5)	1		
32	MS14144L5	.NUT (REPLACES MS17825-5)	1		
33	NAS1197-516	.WASHER	4		
34	AN175-22	.BOLT	1		
35	MS27039DD0808	.SCREW	2		
36	206-001-012-007	.COVER ASSY	1		
37	206-001-012-011	.FLIPPER	1		
38	MS27183-2	.WASHER	4		
39	MS17825-4	.NUT (REPLACED BY MS14144L4)	2		
39	MS14144L4	.NUT (REPLACES MS17825-4)	2		
40	AN174-46	.BOLT	2		
41	206-001-502-005	.BELLCRANK ASSY	1		
42	22-006-15-28-16	.BUSHING	2		
43	MS20201KP4A	.BEARING (REPLACED BY MS27641-4)	2		
43	MS27641-4	.BEARING (REPLACES MS20201KP4A)	2		
44	206-001-522-001	.BELLCRANK ASSY	1		
45	DW5	.BEARING (REPLACED BY MS27647-5)	1		
45	MS27647-5	.BEARING (REPLACES DW5)	1		
46	22-006-15-17-16	.BUSHING	2		
47	206-001-502-006	.BELLCRANK ASSY	1		
48	22-006-15-28-16	.BUSHING	2		
49	206-001-520-005	.SUPPORT ASSY, CYLINDER (PRE T.B. 206-82-78) (REPLACED BY 206-001-566-101)	1		
50	MS20201KP4A	.BEARING (REPLACED BY MS27641-4)	2		
50	MS27641-4	.BEARING (REPLACES MS20201KP4A)	2		
51	21-007-9.5-15.5	.BUSHING	6		
52	22-006-15-18-16	.BUSHING	2		

(1) INDEX NUMBER	(2) PART NUMBER	(3) ITEM NAME	(4) UNIT PER ASSY	(5) A V A I L	(6) U O C																		
		<p>FIGURE: 29-8. Cylinder and support assembly, cyclic and collective (PRE T.B. 206-82-78) (551 THRU 2622) (Cont'd)</p> <p>53 22-007-19-17-18 ..BUSHING 2</p> <p>54 120-012-4A ..SLEEVE 2</p> <p>55 120-012-4S ..SLEEVE 2</p> <p>56 206-001-531-001 ..RADIUS BLOCK 2</p> <p>57 206-001-566-101 .SUPPORT ASSY, CYLINDER (POST T.B. 206-82-78) 1 (SEE FIG. 9 FOR BREAKDOWN) (REPLACES 206-001-520-005)</p> <p>NOTE 1: SEE BHT-206A/B SERIES-MM FOR USAGE</p> <p style="text-align: center;">USABLE ON CODES</p> <table border="0" style="margin-left: auto; margin-right: auto;"> <thead> <tr> <th>CODE</th> <th>MODEL</th> <th>SERIAL NUMBER</th> </tr> </thead> <tbody> <tr> <td>A</td> <td>206A</td> <td>551-913</td> </tr> <tr> <td>B</td> <td>206A/B</td> <td>551-1662</td> </tr> <tr> <td>C</td> <td>206B</td> <td>914-1662</td> </tr> <tr> <td>D</td> <td>206B/BIII</td> <td>1663-2622</td> </tr> <tr> <td>E</td> <td>206A/B/BIII</td> <td>551-2622</td> </tr> </tbody> </table> <p>1) UNLESS A USABLE ON PART NUMBER IS LISTED IN THE ITEM NAME COLUMN; NO CODE INDICATES THE PART APPLIES TO ALL SERIAL NUMBERS.</p> <p>2) IF THE SERIAL NUMBER IS BLANK THE PART APPLIES TO ALL SERIAL NUMBERS FOR THAT MODEL.</p>	CODE	MODEL	SERIAL NUMBER	A	206A	551-913	B	206A/B	551-1662	C	206B	914-1662	D	206B/BIII	1663-2622	E	206A/B/BIII	551-2622			
CODE	MODEL	SERIAL NUMBER																					
A	206A	551-913																					
B	206A/B	551-1662																					
C	206B	914-1662																					
D	206B/BIII	1663-2622																					
E	206A/B/BIII	551-2622																					



206A/B/B3-29-1009
C0000

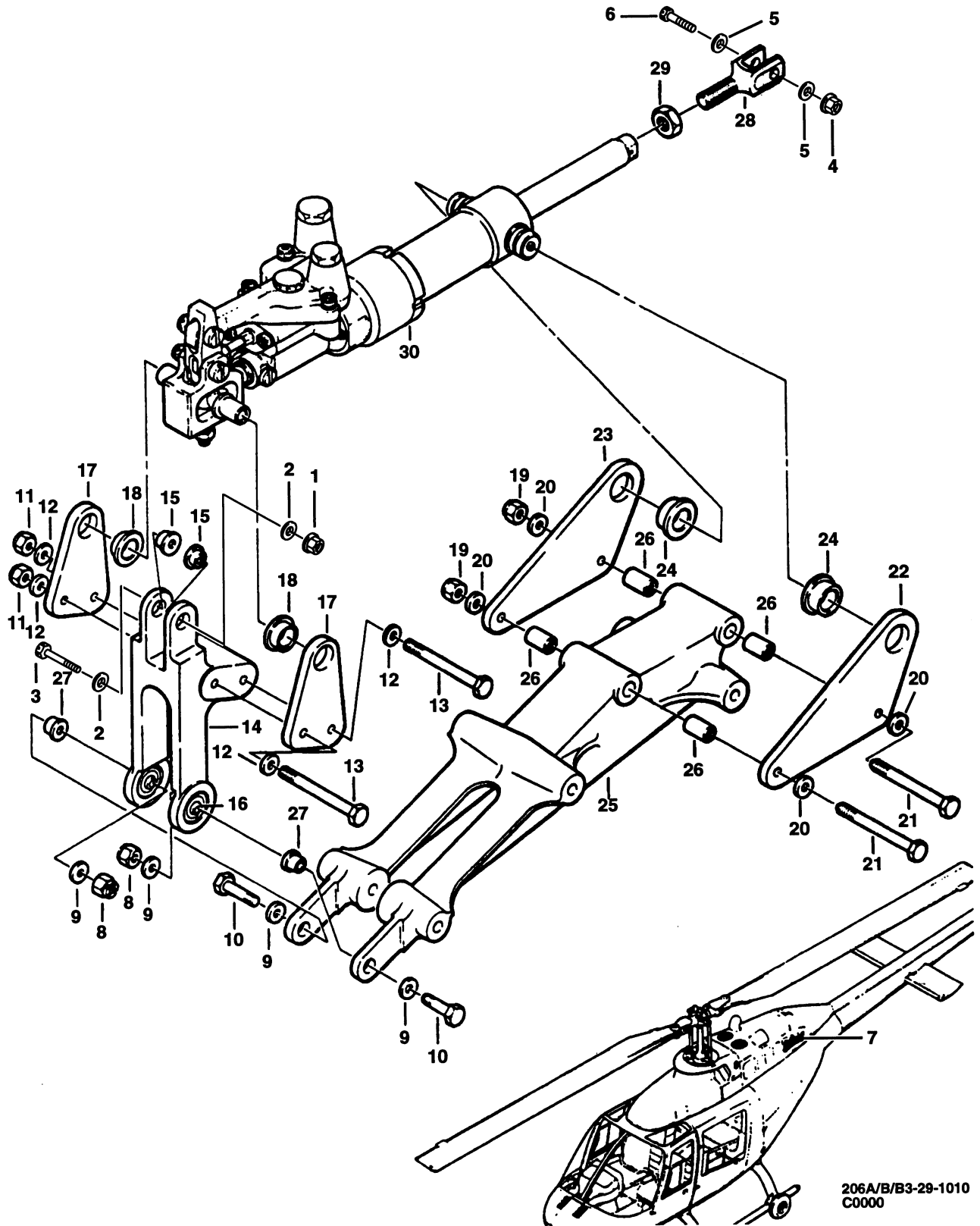
Figure 29-9. Cylinder and support assembly, cyclic and collective (POST T.B. 206-82-78, 4 THRU 2622) (2623 THRU SUB)

(1) INDEX NUMBER	(2) PART NUMBER	(3) ITEM NAME	(4) UNIT PER ASSY	(5) A V A I L	(6) U O C
		FIGURE: 29-9. Cylinder and support assembly, cyclic and collective (POST T.B. 206-82-78, 4 THRU 2622) (2623 THRU SUB)			
	206-001-009-007	CYLINDER AND SUPPORT ASSY (POST T.B 206-82-78) . . . (SEE FIG. 7 FOR PRE T.B. 206-82-78) (SEE FIG.6 FOR NHA)	REF		A
	206-001-009-011	CYLINDER AND SUPPORT ASSY (POST T.B 206-82-78) . . . (SEE FIG. 7 FOR PRE T.B. 206-82-78) (SEE FIG.6 FOR NHA)	REF		B
	206-001-009-015	CYLINDER AND SUPPORT ASSY (POST T.B. 206-82-78) . . (SEE FIG. 7 FOR PRE T.B. 206-82-78) (SEE FIG.6 FOR NHA)	REF		C
	206-001-009-023	CYLINDER AND SUPPORT ASSY (POST T.B 206-82-78) . . . SEE FIG. 7 FOR PRE T.B. 206-82-78) (SEE FIG.6 FOR NHA)	REF		D
	206-001-009-019	CYLINDER AND SUPPORT ASSY (POST T.B. 206-82-78) . . (SEE FIG. 7 FOR PRE T.B. 206-82-78) (SEE FIG.6 FOR NHA)	REF		F
	206-001-041-003	CYLINDER AND SUPPORT ASSY (POST T.B. 206-82-78) . . (SEE FIG. 8 FOR PRE T.B. 206-82-78) (SEE FIG.6 FOR NHA)	REF		G
	206-001-041-007	CYLINDER AND SUPPORT ASSY (POST T.B. 206-82-78) . . (SEE FIG. 8 FOR PRE T.B. 206-82-78) (SEE FIG.6 FOR NHA)	REF		H
	206-001-041-015	CYLINDER AND SUPPORT ASSY (POST T.B. 206-82-78) . . (SEE FIG. 8 FOR PRE T.B. 206-82-78) (SEE FIG.6 FOR NHA)	REF		K
	206-001-045-003	CYLINDER AND SUPPORT ASSY (PRE AND POST TB:206-82-78) (SEE FIG.6 FOR NHA)	REF		L
	206-001-045-105	CYLINDER AND SUPPORT ASSY (SEE FIG.6 FOR NHA)	REF		N
1	MS17825-5	.NUT (POST T.B. 206-82-78, 4 THRU 2622) (REPLACED . BY MS14144L5)	6		
1	MS14144L5	.NUT (POST T.B. 206-82-78, 4 THRU 2622) (REPLACES . MS17825-5)	6		
2	AN960PD516	.WASHER (POST T.B. 206-82-78, 4 THRU 2622) (REPLACED BY AN960JD516)	18		
2	AN960JD516	.WASHER (POST T.B. 206-82-78, 4 THRU 2622) (REPLACES AN960PD516)	18		
3	AN960PD516L	.WASHER (POST T.B. 206-82-78, 4 THRU 2622) (REPLACED BY AN960JD516L)	6		
3	AN960JD516L	.WASHER (POST T.B. 206-82-78, 4 THRU 2622) (REPLACES AN960PD516L)	6		
4	206-001-543-001	.WASHER (POST T.B. 206-82-78, 4 THRU 2622)	6		
5	MS27641-5	.BEARING (POST T.B. 206-82-78, 4 THRU 2622)	6		
6	NAS43HT5-13	.SPACER (POST T.B. 206-82-78, 4 THRU 2622)	6		
7	MS21042L4	.NUT (POST T.B. 206-82-78, 4 THRU 2622)	6		
8	AN960PD416	.WASHER (POST T.B. 206-82-78, 4 THRU 2622) (REPLACED BY AN960JD416)	12		
8	AN960JD416	.WASHER (POST T.B. 206-82-78, 4 THRU 2622) (REPLACES AN960PD416)	12		
9	NAS6604-32	.BOLT (POST T.B. 206-82-78, 4 THRU 2622)	6		

(1) INDEX NUMBER	(2) PART NUMBER	(3) ITEM NAME	(4) UNIT PER ASSY	(5) A V A I L	(6) U O C
		FIGURE: 29-9. Cylinder and support assembly, cyclic and collective (POST T.B. 206-82-78, 4 THRU 2622) (2623 THRU SUB) (Cont'd)			
10	206-076-023-001	.SERVO ACTUATOR (SEE FIG. 6 FOR NHA) (REPLACED BY . . . 41103750-003 AND -017)	REF		A
10	206-076-023-003	.SERVO ACTUATOR (SEE FIG. 6 FOR NHA) (REPLACED BY . . . 41103750-003 AND -017)	REF		B
10	41103750-002	.SERVO ACTUATOR (SEE FIG. 6 FOR NHA) (REPLACED BY . . . 41103750-003 AND -017)	REF		C
10	41103750-013	(ALTERNATE PART) .SERVO ACTUATOR (SEE FIG. 6 FOR NHA) (REPLACED BY . . . 41103750-017)	REF		E
10	41103750-003	.SERVO ACTUATOR (SEE FIG. 6 FOR NHA) (REPLACES 206-076-023-001, -003 AND 41103750-002) (REPLACED BY 41103750-017)	REF		E
10	41103750-017	.SERVO ACTUATOR (SEE FIG. 6 FOR NHA) (REPLACES 206-076-023-001, -003, 41103750-002, -003 AND -013)	REF		E
10	206-076-031-001	.SERVO ACTUATOR (SEE FIG. 6 FOR NHA) (REPLACED BY . . . 206-076-031-005 AND -015)	REF		F
10	206-076-031-005	.SERVO ACTUATOR (SEE FIG. 6 FOR NHA) (REPLACES 206-076-031-001) (REPLACED BY 206-076-031-015)	REF		F
10	206-076-031-015	.SERVO ACTUATOR (SEE FIG. 6 FOR NHA) (REPLACES 206-076-031-001 AND -005)	REF		F
10	206-076-031-003	.SERVO ACTUATOR (SEE FIG. 6 FOR NHA) (REPLACED BY . . . 206-076-031-007, -013, -021 AND -107)	REF		G
10	206-076-031-007	.SERVO ACTUATOR (SEE FIG. 6 FOR NHA) (REPLACES 206-076-031-003) (REPLACED BY 206-076-031-013, -021 AND -107)	REF		J
10	206-076-031-013	.SERVO ACTUATOR (SEE FIG. 6 FOR NHA) (REPLACES 206-076-031-003 AND -007) (REPLACED BY 206-076-031-021 AND -107)	REF		J
10	206-076-031-021	.SERVO ACTUATOR (SEE FIG. 6 FOR NHA) (REPLACES 206-076-031-003, -007 AND -013) (REPLACED BY 206-076-031-107)	REF		J
10	206-076-031-107	.SERVO ACTUATOR (SEE FIG. 6 FOR NHA) (REPLACES 206-076-031-003, -007 AND -021) (ALTERNATE PART)	REF		J
10	206-076-031-109	.SERVO ACTUATOR (SEE FIG. 6 FOR NHA)	REF		J
10	206-076-031-017	.SERVO ACTUATOR (SEE FIG. 6 FOR NHA) (REPLACED BY . . . 206-076-031-023 AND -109)	REF		M
10	206-076-031-023	.SERVO ACTUATOR (SEE FIG. 6 FOR NHA) (REPLACES 206-076-031-017) (REPLACED BY 206-076-031-109)	REF		M
10	206-076-031-109	.SERVO ACTUATOR (SEE FIG. 6 FOR NHA) (REPLACES 206-076-031-017 AND -023)	REF		M
11	206-001-569-001	.BUSHING (PRE T.B. 206-82-78) (REPLACED BY 206-001-569-101)	6		L
11	206-001-569-101	.BUSHING (PRE T.B. 206-82-78) (REPLACES 206-001-569-001) (REPLACED BY 206-001-576-101)	6		L
11	206-001-576-101	.BUSHING (POST T.B. 206-82-78, 4 THRU 2622)	6		

(1) INDEX NUMBER	(2) PART NUMBER	(3) ITEM NAME	(4) UNIT PER ASSY	(5) A V A I L	(6) U O C
		FIGURE: 29-9. Cylinder and support assembly, cyclic and collective (POST T.B. 206-82-78, 4 THRU 2622) (2623 THRU SUB) (Cont'd)			
12	MS17825-5	.NUT (POST T.B. 206-82-78, 4 THRU 2622) (REPLACED BY MS14144L5)	2		
12	MS14144L5	.NUT (POST T.B. 206-82-78, 4 THRU 2622) (REPLACES MS17825-5)	2		
13	AN960PD516	.WASHER (POST T.B. 206-82-78, 4 THRU 2622) (REPLACED BY AN960JD516)	4		
13	AN960JD516	.WASHER (POST T.B. 206-82-78, 4 THRU 2622) (REPLACES AN960PD516)	4		
14	20-057-5-45D	.BOLT (POST T.B. 206-82-78, 4 THRU 2622)	2		
15	21-026-23	.BUSHING (POST T.B. 206-82-78, 4 THRU 2622)	2		
16	206-001-567-001	.BELLCRANK ASSY (POST T.B. 206-82-78, 4 THRU 2622)	1		
17	206-001-567-002	.BELLCRANK ASSY (POST T.B. 206-82-78, 4 THRU 2622)	1		
18	MS27641-5	..BEARING	2		
19	120-099-5DD97	..SPACER	1		
20	MS17825-4	.NUT (POST T.B. 206-82-78, 4 THRU 2622) (REPLACED BY MS14144L4)	1		
20	MS14144L4	.NUT (POST T.B. 206-82-78, 4 THRU 2622) (REPLACES MS17825-4)	1		
21	AN960PD416	.WASHER (POST T.B. 206-82-78, 4 THRU 2622) (REPLACED BY AN960JD416)	2		
21	AN960JD416	.WASHER (POST T.B. 206-82-78, 4 THRU 2622) (REPLACES AN960PD416)	2		
22	20-057-4-24D	.BOLT (POST T.B. 206-82-78, 4 THRU 2622)	1		
23	206-001-568-001	.BELLCRANK ASSY (POST T.B. 206-82-78, 4 THRU 2622)	1		
24	MS14104-3	..BEARING	1		
25	120-015-12A	..SLEEVE	1		
26	22-006-16-13-16	..BUSHING	1		
27	DW4	..BEARING	1		
		(ALTERNATE PART)			
27	20-082-4	..BEARING (REPLACED BY MS27647-4)	1		
27	MS27647-4	..BEARING (REPLACES 20-082-4)	1		
28	120-015-4KA	..SLEEVE	1		
29	206-001-566-001	.SUPPORT ASSY (PRE T.B. 206-82-78) (REPLACED BY 206-001-566-101)	1		L
29	206-001-566-101	.SUPPORT ASSY (POST T.B. 206-82-78) (REPLACED BY 206-001-566-001)	1		
30	22-007-19-16-18	..BUSHING	2		
31	22-006-15-14-16	..BUSHING	1		
32	21-006-7.5-9.5	..BUSHING	2		
33	23-006-15-10-16	..BUSHING	1		
34	206-001-566-115	..BARRIER PLATE	2		

(1) INDEX NUMBER	(2) PART NUMBER	(3) ITEM NAME	(4) UNIT PER ASSY	(5) A V A I L	(6) U O C																																										
		<p>FIGURE: 29-9. Cylinder and support assembly, cyclic and collective (POST T.B. 206-82-78, 4 THRU 2622) (2623 THRU SUB) (Cont'd)</p> <p style="text-align: center;">USABLE ON CODES</p> <table border="0" style="width: 100%;"> <thead> <tr> <th style="text-align: left;">CODE</th> <th style="text-align: left;">MODEL</th> <th style="text-align: left;">SERIAL NUMBER</th> </tr> </thead> <tbody> <tr><td>A</td><td>206A</td><td>4-153</td></tr> <tr><td>B</td><td>206A</td><td>154-413</td></tr> <tr><td>C</td><td>206A</td><td>414-439</td></tr> <tr><td>D</td><td>206A</td><td>440-497</td></tr> <tr><td>E</td><td>206A</td><td>4-497</td></tr> <tr><td>F</td><td>206A</td><td>498-550</td></tr> <tr><td>G</td><td>206A/B</td><td>551-913</td></tr> <tr><td>H</td><td>206A/B</td><td>914-1662</td></tr> <tr><td>J</td><td>206A/B/BIII</td><td>551-2622</td></tr> <tr><td>K</td><td>206B/BIII</td><td>1663-2622</td></tr> <tr><td>L</td><td>206B/BIII</td><td>2623-3446</td></tr> <tr><td>M</td><td>206BIII</td><td>2623-SUB</td></tr> <tr><td>N</td><td>206BIII</td><td>3447-SUB</td></tr> </tbody> </table> <p>1) UNLESS A USABLE ON PART NUMBER IS LISTED IN THE ITEM NAME COLUMN; NO CODE INDICATES THE PART APPLIES TO ALL SERIAL NUMBERS.</p> <p>2) IF THE SERIAL NUMBER IS BLANK THE PART APPLIES TO ALL SERIAL NUMBERS FOR THAT MODEL.</p>	CODE	MODEL	SERIAL NUMBER	A	206A	4-153	B	206A	154-413	C	206A	414-439	D	206A	440-497	E	206A	4-497	F	206A	498-550	G	206A/B	551-913	H	206A/B	914-1662	J	206A/B/BIII	551-2622	K	206B/BIII	1663-2622	L	206B/BIII	2623-3446	M	206BIII	2623-SUB	N	206BIII	3447-SUB			
CODE	MODEL	SERIAL NUMBER																																													
A	206A	4-153																																													
B	206A	154-413																																													
C	206A	414-439																																													
D	206A	440-497																																													
E	206A	4-497																																													
F	206A	498-550																																													
G	206A/B	551-913																																													
H	206A/B	914-1662																																													
J	206A/B/BIII	551-2622																																													
K	206B/BIII	1663-2622																																													
L	206B/BIII	2623-3446																																													
M	206BIII	2623-SUB																																													
N	206BIII	3447-SUB																																													



206A/B/B3-29-1010
C0000

Figure 29-10. Cylinder and support assembly, anti-torque (4 THRU 497)

(1) INDEX NUMBER	(2) PART NUMBER	(3) ITEM NAME	(4) UNIT PER ASSY	(5) A V A I L	(6) U O C
		FIGURE: 29-10. Cylinder and support assembly, anti-torque (4 THRU 497)			
1	MS17825-4	NUT (REPLACED BY MS14144L4)	1		
1	MS14144L4	NUT (REPLACES MS17825-4)	1		
2	NAS1197-416	WASHER	2		
3	AN174-13	BOLT	1		
4	MS17825-4	NUT (REPLACED BY MS14144L4)	1		
4	MS14144L4	NUT (REPLACES MS17825-4)	1		
5	AN960-416	WASHER (REPLACED BY AN960C416)	2		
5	AN960C416	WASHER (REPLACES AN960-416)	2		
6	AN174-12	BOLT	1		
7	206-001-739-001	CYLINDER AND SUPPORT ASSY	1		A
7	206-001-739-003	CYLINDER AND SUPPORT ASSY	1		C
7	206-001-739-005	CYLINDER AND SUPPORT ASSY	1		D
7	206-001-739-007	CYLINDER AND SUPPORT ASSY	1		F
8	MS17825-4	.NUT (REPLACED BY MS14144L4)	2		
8	MS14144L4	.NUT (REPLACES MS17825-4)	2		
9	NAS1197-416	.WASHER	4		
10	AN174-10	.BOLT	2		
11	NAS679A4	.NUT (REPLACED BY MS21042L4)	2		
11	MS21042L4	.NUT (REPLACES NAS679A4)	2		
12	AN960PD416	.WASHER (REPLACED BY AN960JD416)	4		
12	AN960JD416	.WASHER (REPLACES AN960PD416)	4		
13	AN174-24A	.BOLT	2		
14	206-001-737-001	.LEVER ASSY	1		
15	22-006-15-15-16	..BUSHING	2		
16	MS27641-4	..BEARING	2		
17	206-001-740-001	.PLATE ASSY (USBL ON 206-001-739-001)	2		A
17	206-001-740-005	.PLATE ASSY (USBL ON 206-001-739-003, -005 AND -007)	2		E
18	22-010-31-17-24	..BUSHING (USBL ON 206-001-740-001)	1		
18	206-010-421-007	..BUSHING (USBL ON 206-001-740-005)	1		
19	NAS679A4	.NUT (REPLACED BY MS21042L4)	2		
19	MS21042L4	.NUT (REPLACES NAS679A4)	2		
20	AN960PD416	.WASHER (REPLACED BY AN960JD416)	4		
20	AN960JD416	.WASHER (REPLACES AN960PD416)	4		
21	AN174-25A	.BOLT	2		
22	206-001-738-001	.PLATE ASSY	1		
23	206-001-738-002	.PLATE ASSY	1		
24	22-012-39-24-28	..BUSHING	1		
25	206-001-733-001	.SUPPORT ASSY	1		
26	21-006-7.5-16	..BUSHING	4		
27	22-006-15-15-16	..BUSHING	2		
28	206-001-720-001	.ADAPTER	1		
29	AN316-6R	.NUT	1		
30	206-076-024-001	.SERVO ACTUATOR (USBL ON 206-001-739-001 AND -003) (REPLACED BY 41103650-005, -007 AND -009)	1		B
30	206-076-024-003	.SERVO ACTUATOR (USBL ON 206-001-739-005) (REPLACED BY 41103650-005, -007 AND -009)	1		D
30	41103650-005	.SERVO ACTUATOR (REPLACES 206-076-024-001 AND -003) (REPLACED BY 41103650-007 AND -009)	1		

(1) INDEX NUMBER	(2) PART NUMBER	(3) ITEM NAME	(4) UNIT PER ASSY	(5) A V A I L	(6) U O C																					
30	41103650-007	<p>FIGURE: 29-10. Cylinder and support assembly, anti-torque (4 THRU 497) (Cont'd)</p> <p>.SERVO ACTUATOR (REPLACES 206-076-024-001, -003 . . . AND 41103650-005) (REPLACED BY 41103650-009)</p>	1																							
30	41103650-009	<p>.SERVO ACTUATOR (REPLACES 206-076-024-001, -003, 41103650-005 AND -007)</p>	1																							
<p style="text-align: center;">USABLE ON CODES</p> <table border="0" style="width: 100%; border-collapse: collapse;"> <thead> <tr> <th style="text-align: left;">CODE</th> <th style="text-align: left;">MODEL</th> <th style="text-align: left;">SERIAL NUMBER</th> </tr> </thead> <tbody> <tr> <td>A</td> <td>206A</td> <td>4-53</td> </tr> <tr> <td>B</td> <td>206A</td> <td>4-253</td> </tr> <tr> <td>C</td> <td>206A</td> <td>54-253</td> </tr> <tr> <td>D</td> <td>206A</td> <td>254-439</td> </tr> <tr> <td>E</td> <td>206A</td> <td>54-497</td> </tr> <tr> <td>F</td> <td>206A</td> <td>440-497</td> </tr> </tbody> </table>						CODE	MODEL	SERIAL NUMBER	A	206A	4-53	B	206A	4-253	C	206A	54-253	D	206A	254-439	E	206A	54-497	F	206A	440-497
CODE	MODEL	SERIAL NUMBER																								
A	206A	4-53																								
B	206A	4-253																								
C	206A	54-253																								
D	206A	254-439																								
E	206A	54-497																								
F	206A	440-497																								
<p>1) UNLESS A USABLE ON PART NUMBER IS LISTED IN THE ITEM NAME COLUMN; NO CODE INDICATES THE PART APPLIES TO ALL SERIAL NUMBERS.</p> <p>2) IF THE SERIAL NUMBER IS BLANK THE PART APPLIES TO ALL SERIAL NUMBERS FOR THAT MODEL.</p>																										