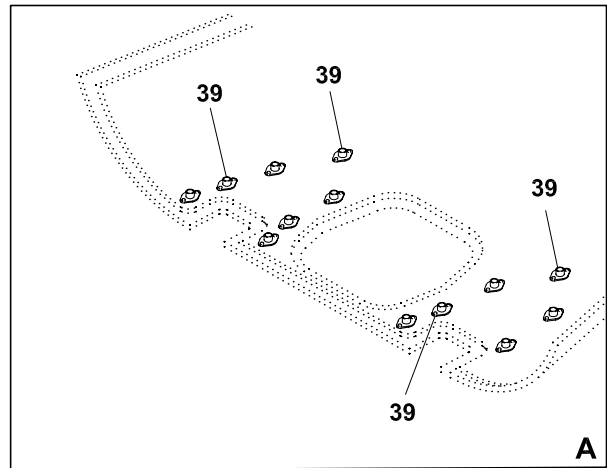
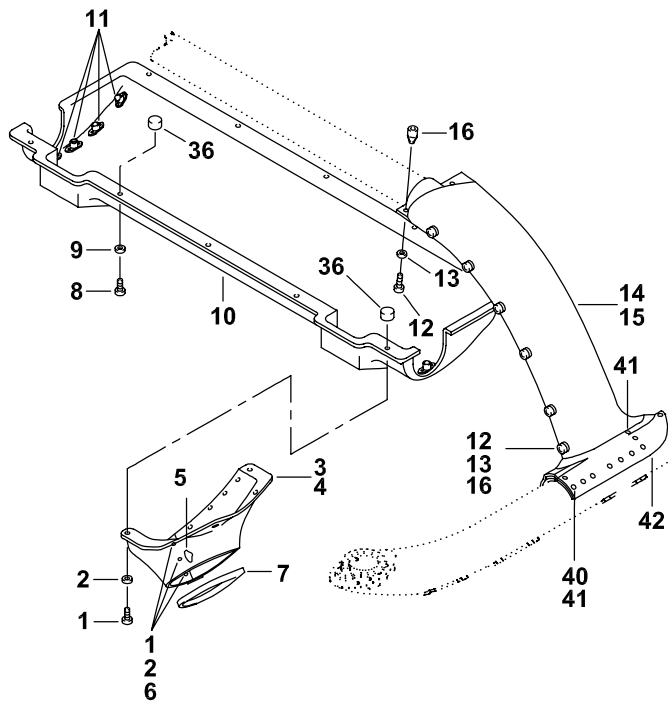
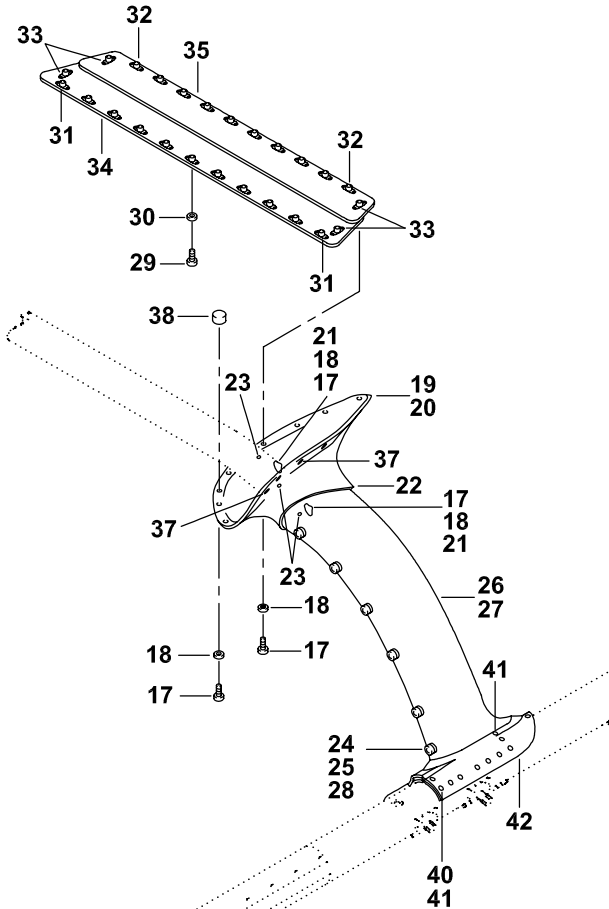
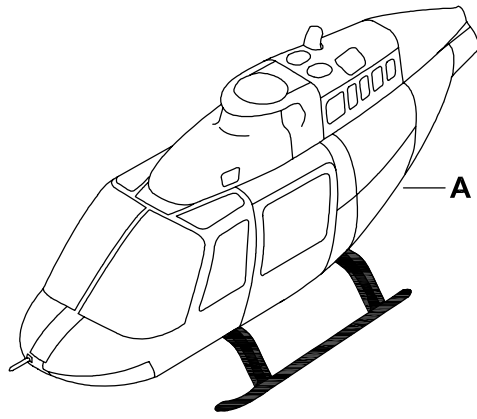


CHAPTER 32 — LANDING GEAR

CONTENTS — ILLUSTRATED PARTS BREAKDOWN

Figure Number		Chapter/Section Number	Page Number
32-1	Fairing Installation, Landing Gear, Standard Low.	32-99-00	2
32-2	Landing Gear and Support Assemblies, Standard Low; and Skid Assembly, Tail.	32-99-00	8
32-3	Kit, High Skid Gear and Support Installation.	32-99-00	20
32-4	Cabin Step Installation, High Skid Gear	32-99-00	34
32-5	Kit, Standard Low Gear - AAI (Aeronautical Accessories Inc.) . . .	32-99-00	38
32-6	Kit, High Skid Gear - AAI (Aeronautical Accessories Inc.)	32-99-00	44
32-7	Flightstep (AAI), High Skid Gear	32-99-00	50



206AB_IPB_32_0017

Figure 32-1. Fairing Installation, Landing Gear, Standard Low

(1) INDEX NUMBER	(2) PART NUMBER	(3) ITEM NAME	(4) UNIT PER ASSY	(5) A V A I L	(6) U O C
		Figure 32-1. Fairing Installation, Landing Gear, Standard Low			
	206-050-137-009	FAIRING INSTL, FWD, LANDING GEAR, LOW SKID	1	NP	A
	206-050-137-047	FAIRING INSTL, FWD, LANDING GEAR, LOW SKID	1	NP	B
	206-050-227-001	FAIRING INSTL, FWD, LANDING GEAR, LOW SKID	1	NP	NPQ RS
	206-706-510-101	KIT, FAIRING INSTL COMPLETE, LANDING GEAR, LOW SKID (SEE CHAPTER 99 FOR BREAKDOWN)	REF		TU
1	MS27039-1-06	. SCREW	22	SP	C
2	AN960PD10L	. WASHER (REPLACED BY NAS1149D0316J)	22	P	C
2	NAS1149D0316J	. WASHER (REPLACES AN960PD10L)	22	SP	C
3	206-050-137-031	. FAIRING ASSY, FWD, LH (REPLACED BY 206-050-137-039)	1	NP	A
3	206-050-137-039	. FAIRING ASSY, FWD, LH (REPLACES 206-050-137-031)	1	NP	B
3	206-050-227-007	. CUFF ASSY, FWD, LH	1	SP	NPQ RS
4	206-050-137-032	. FAIRING ASSY, FWD, RH (REPLACED BY 206-050-137-040)	1	P	A
4	206-050-137-040	. FAIRING ASSY, FWD, RH (REPLACES 206-050-137-032)	1	NP	B
4	206-050-227-008	. CUFF ASSY, FWD, RH	1	SP	NPQ RS
5	NAS697A3	. . NUTPLATE (REPLACED BY MS21069L3)	1	P	C
5	MS21069L3	. . NUTPLATE (REPLACES NAS797A3)	1	SP	C
6	140-001-3	. . WASHER (USBL ON 206-050-227-007 AND -008)	6	SP	NPQ RS
7	206-050-137-023	. . SEAL (NOTE 1) (USBL ON 206-050-137-031, 032, -039 AND -040)	1	NP	AB
7	206-050-227-039	. . SEAL (MAKE FROM 110-004-17) (USBL ON 206-050-227-007 AND -008)	1		NPQ RS
7	110-004-17	. . EXTRUSION (WHITE ONLY)	1	SP	
8	MS27039-1-06	. SCREW	6	SP	C
9	AN960PD10L	. WASHER (REPLACED BY NAS1149D0316J)	6	P	C
9	NAS1149D0316J	. WASHER (REPLACES AN960PD10L)	6	SP	C
10	206-050-137-037	. FAIRING ASSY, FWD	1		A
10	206-050-137-045	. FAIRING ASSY, FWD	1		B
10	206-050-227-013	. FAIRING ASSY, FWD	1	SP	NPQ RS
11	NAS697A3	. . NUTPLATE (REPLACED BY MS21069L3)	8	P	C
11	MS21069L3	. . NUTPLATE (REPLACES NAS697A3)	8	SP	C
12	MS27039-1-06	. SCREW	16	SP	C
13	AN960PD10L	. WASHER (REPLACED BY NAS1149D0316J)	16	P	C
13	NAS1149D0316J	. WASHER (REPLACES AN960PD10L)	16	SP	C
14	206-050-137-013	. FAIRING ASSY, LH	1		AB
14	206-050-227-005	. FAIRING ASSY, LH	1	SP	NPQ RS
15	206-050-137-014	. FAIRING ASSY, RH	1		AB
15	206-050-227-006	. FAIRING ASSY, RH	1	SP	NPQ RS
16	MS21069L3	. . NUTPLATE	8	SP	C
	206-050-137-011	FAIRING INSTL, AFT, LANDING GEAR, LOW SKID (REPLACED BY 206-050-137-059)	1	NP	AB
	206-050-137-059	FAIRING INSTL, AFT, LANDING GEAR, LOW SKID (REPLACES 206- 050-137-011).	1	NP	AB
	206-050-227-003	FAIRING INSTL, AFT, LANDING GEAR, LOW SKID	1	NP	NPQ RS
17	MS27039-1-06	. SCREW	32	SP	C
18	AN960PD10L	. WASHER (REPLACED BY NAS1149D0316J)	32	P	C
18	NAS1149D0316J	. WASHER (REPLACES AN960PD10L)	32	SP	C
19	206-050-137-035	. FAIRING ASSY, AFT, LH	1		AB
19	206-050-227-011	. CUFF ASSY, AFT, LH	1		NPQ RS
20	206-050-137-036	. FAIRING ASSY, AFT, RH	1	NP	AB
20	206-050-227-012	. CUFF ASSY, AFT, RH	1	SP	NPQ RS
21	NAS697A3	. . NUTPLATE (REPLACED BY MS21069L3)	2	P	C

(1) INDEX NUMBER	(2) PART NUMBER	(3) ITEM NAME	(4) UNIT PER ASSY	(5) A V A I L	(6) U O C
		Figure 32-1. Fairing Installation, Landing Gear, Standard Low (Cont'd)			
21	MS21069L3	. . NUTPLATE (REPLACES NAS697A3)	2	SP	C
22	206-050-137-023	. . SEAL (NOTE 1) (USBL ON 206-050-137-035 AND -036)	1	NP	AB
22	206-050-227-039	. . SEAL (USBL ON 206-050-227-011 AND -012)	1		NPQ RS
23	140-001-3	. . WASHER (USBL ON 206-050-227-011 AND -012)	6	SP	NPQ RS
24	MS27039-1-06	. . SCREW	16	SP	C
25	AN960PD10L	. . WASHER (REPLACED BY NAS1149D0316J)	16	P	C
25	NAS1149D0316J	. . WASHER (REPLACES AN960PD10L)	16	SP	C
26	206-050-137-033	. . FAIRING ASSY, LH	1		AB
26	206-050-227-009	. . FAIRING ASSY, LH	1	SP	NPQ RS
27	206-050-137-034	. . FAIRING ASSY, RH	1		AB
27	206-050-227-010	. . FAIRING ASSY, RH	1	SP	NPQ RS
28	NAS697A3	. . NUTPLATE (REPLACED BY MS21069L3)	8	P	C
28	MS21069L3	. . NUTPLATE (REPLACES NAS697A3)	8	SP	C
29	MS27039-1-06	. . SCREW	21	SP	C
30	AN960PD10L	. . WASHER (REPLACED BY NAS1149D0316J)	21	P	C
30	NAS1149D0316J	. . WASHER (REPLACES AN960PD10L)	21	SP	C
31	NAS1474A3	. . NUTPLATE	11	SP	C
32	NAS697A3	. . NUTPLATE (REPLACED BY MS21069L3)	10	P	AB
32	MS21069L3	. . NUTPLATE (REPLACES NAS697A3)	10	SP	AB
32	MS21069L3K	. . NUTPLATE	10	SP	NPQ RS
33	NAS697A3	. . NUTPLATE (REPLACED BY MS21069L3)	4	P	C
33	MS21069L3	. . NUTPLATE (REPLACES NAS697A3)	4	SP	C
34	206-050-137-027	. . SKIN (REPLACED BY 206-050-137-055)	1	NP	AB
34	206-050-137-055	. . SKIN (REPLACES 206-050-137-027) (REPLACED BY 206-050-227-033)	1	NP	AB
34	206-050-227-033	. . SKIN (REPLACES 206-050-137-055)	1	SP	NPQ RS
35	206-050-137-029	. . SKIN (REPLACED BY 205-050-137-057)	1	NP	AB
35	206-050-137-057	. . SKIN (REPLACES 206-050-137-029) (REPLACED BY 206-050-227-035)	1		AB
35	206-050-227-035	. . SKIN (REPLACES 206-050-137-057)	1	SP	NPQ RS
	206-031-100-011	SHELL ASSY, FWD (S/N 4 THRU 103)	REF		
	206-031-100-015	SHELL ASSY, FWD (S/N 104 THRU 153, 204 THRU 253) (REPLACED BY 206-031-100-251)	REF	NP	
	206-031-100-251	SHELL ASSY, FWD (S/N 154 THRU 203, 254 THRU 353, 414 THRU 913) (REPLACES 206-031-100-015)	REF	NP	
	206-031-100-211	SHELL ASSY, FWD (S/N 354 THRU 413)	REF		
	206-031-100-281	SHELL ASSY, FWD (S/N 914 THRU 3216)	REF	P	
	206-031-100-333	SHELL ASSY, FWD (S/N 3217 THRU 3566)	REF	P	
	206-031-100-393	SHELL ASSY, FWD (S/N 3567 THRU 4359)	REF		
36	80-004-2-12	INSERT	10	SP	C
	206-031-100-013	SHELL ASSY, AFT (S/N 204 THRU 253, 4 THRU 153)	REF		
	206-031-100-239	SHELL ASSY, AFT (S/N 354 THRU 413)	REF		
	206-031-100-247	SHELL ASSY, AFT (S/N 154 THRU 203, 254 THRU 353, 414 THRU 583)	REF	NP	
	206-031-100-271	SHELL ASSY, AFT (S/N 584 THRU 913)	REF		
	206-031-100-283	SHELL ASSY, AFT (S/N 1252 THRU 1488, 914 THRU 1163)	REF		
	206-031-100-307	SHELL ASSY, AFT (S/N 1489 THRU 3566)	REF		
	206-031-100-321	SHELL ASSY, AFT (S/N 1164 THRU 1251)	REF	NP	
	206-031-100-353	SHELL ASSY, AFT (S/N 3567 THRU 4359)	REF		
37	NAS697A3	NUTPLATE (REPLACED BY MS21069L3)	4	P	C
37	MS21069L3	NUTPLATE (REPLACES NAS697A3)	4	SP	C
38	80-004-2-12	INSERT	6	SP	C

(1) INDEX NUMBER	(2) PART NUMBER	(3) ITEM NAME	(4) UNIT PER ASSY	(5) A V A I L	(6) U O C
		Figure 32-1. Fairing Installation, Landing Gear, Standard Low (Cont'd)			
	206-031-343-007	FAIRING ASSY, LOWER FUSELAGE	REF	NP	A
	206-031-343-011	FAIRING ASSY, LOWER FUSELAGE	REF		G
	206-031-343-077	FAIRING ASSY, LOWER FUSELAGE	REF		D
	206-031-343-091	FAIRING ASSY, LOWER FUSELAGE	REF	NP	H
	206-031-343-103	FAIRING ASSY, LOWER FUSELAGE	REF	NP	J
	206-031-343-105	FAIRING ASSY, LOWER FUSELAGE	REF	NP	E
	206-031-343-117	FAIRING ASSY, LOWER FUSELAGE	REF	NP	K
	206-031-343-129	FAIRING ASSY, LOWER FUSELAGE (REPLACED BY 206-031-343-139)	REF	NP	L
	206-031-343-139	FAIRING ASSY, LOWER FUSELAGE (REPLACES 206-031-343-129)	REF	NP	F
39	NAS1068A3	. NUTPLATE (REPLACED BY MS21075L3N)	14		C
39	MS21069L3	. NUTPLATE (REPLACES NAS1068A3)	14	SP	C
	206-050-118-003	LANDING GEAR ASSY (SEE FIG. 2 FOR BALANCE OF BREAKDOWN)	REF	NP	A
	206-050-118-007	LANDING GEAR ASSY (SEE FIG. 2 FOR BALANCE OF BREAKDOWN)	REF	NP	M
	206-050-118-027	LANDING GEAR ASSY (SEE FIG. 2 FOR BALANCE OF BREAKDOWN) (REPLACED BY 206-050-118-041)	REF	NP	D
	206-050-118-041	LANDING GEAR ASSY (SEE FIG. 2 FOR BALANCE OF BREAKDOWN) (REPLACES 206-050-118-027)	REF	NP	D
	206-050-118-039	LANDING GEAR ASSY (SEE FIG. 2 FOR BALANCE OF BREAKDOWN) (REPLACED BY 206-050-118-055)	REF	NP	N
	206-050-118-047	LANDING GEAR ASSY (SEE FIG. 2 FOR BALANCE OF BREAKDOWN)	REF	NP	P
	206-050-118-055	LANDING GEAR ASSY (SEE FIG. 2 FOR BALANCE OF BREAKDOWN) (REPLACES 206-050-118-039) (REPLACED BY 206-050-287-101)	REF	NP	QR
	206-050-287-101	LANDING GEAR ASSY (SEE FIG. 2 FOR BALANCE OF BREAKDOWN) (REPLACES 206-050-118-055) (REPLACED BY 206-050-287-105)	REF	P	S
	206-050-287-105	LANDING GEAR ASSY (SEE FIG. 2 FOR BALANCE OF BREAKDOWN) (REPLACES 206-050-287-101) (REPLACED BY 206-320-503)	REF	P	T
	206-320-503	LOW SKID GEAR KIT (SEE FIG. 5 FOR BREAKDOWN) (REPLACES 206-050-287-105)	REF		U
	206-050-118-005	. SKID TUBE ASSY, LH (NOTE 2) (SEE FIG. 2 FOR BALANCE OF BREAKDOWN)	REF	NP	A
	206-050-118-009	. SKID TUBE ASSY, LH (NOTE 2) (SEE FIG. 2 FOR BALANCE OF BREAKDOWN)	REF	NP	M
	206-050-118-029	. SKID TUBE ASSY, LH (NOTE 2) (SEE FIG. 2 FOR BALANCE OF BREAKDOWN)	REF	NP	D
	206-050-118-043	. SKID TUBE ASSY, LH (NOTE 2) (SEE FIG. 2 FOR BALANCE OF BREAKDOWN)	REF	NP	N
	206-050-118-049	. SKID TUBE ASSY, LH (NOTE 2) (SEE FIG. 2 FOR BALANCE OF BREAKDOWN)	REF	NP	P
	206-050-118-053	. SKID TUBE ASSY, LH (NOTE 2) (SEE FIG. 2 FOR BALANCE OF BREAKDOWN) (REPLACED BY 206-050-118-101)	REF	NP	Q
	206-050-118-101	. SKID TUBE ASSY, LH (NOTE 2) (SEE FIG. 2 FOR BALANCE OF BREAKDOWN) (REPLACES 206-050-118-053) (REPLACED BY 206-050-118-103)	REF	NP	R
	206-050-118-103	. SKID TUBE ASSY, LH (NOTE 2) (SEE FIG. 2 FOR BALANCE OF BREAKDOWN) (REPLACES 206-050-118-101) (REPLACED BY 206-050-296-107)	REF	NP	R
	206-050-296-107	. SKID TUBE ASSY, LH (SEE FIG. 2 FOR BALANCE OF BREAKDOWN) (REPLACES 206-050-118-103)	REF	SP	S

(1) INDEX NUMBER	(2) PART NUMBER	(3) ITEM NAME	(4) UNIT PER ASSY	(5) A V A I L	(6) U O C
		Figure 32-1. Fairing Installation, Landing Gear, Standard Low (Cont'd)			
	206-050-118-006	. SKID TUBE ASSY, RH (NOTE 3) (SEE FIG. 2 FOR BALANCE OF BREAKDOWN)	REF	NP	A
	206-050-118-010	. SKID TUBE ASSY, RH (NOTE 3) (SEE FIG. 2 FOR BALANCE OF BREAKDOWN)	REF	NP	M
	206-050-118-030	. SKID TUBE ASSY, RH (NOTE 3) (SEE FIG. 2 FOR BALANCE OF BREAKDOWN)	REF	NP	D
	206-050-118-044	. SKID TUBE ASSY, RH (NOTE 3) (SEE FIG. 2 FOR BALANCE OF BREAKDOWN)	REF	NP	N
	206-050-118-050	. SKID TUBE ASSY, RH (NOTE 3) (SEE FIG. 2 FOR BALANCE OF BREAKDOWN)	REF	NP	P
	206-050-118-054	. SKID TUBE ASSY, RH (NOTE 3) (SEE FIG. 2 FOR BALANCE OF BREAKDOWN) (REPLACED BY 206-050-118-102)	REF	NP	Q
	206-050-118-102	. SKID TUBE ASSY, RH (NOTE 3) (SEE FIG. 2 FOR BALANCE OF BREAKDOWN) (REPLACES 206-050-118-054) (REPLACED BY 206-050-118-104)	REF	NP	R
	206-050-118-104	. SKID TUBE ASSY, RH (NOTE 3) (SEE FIG. 2 FOR BALANCE OF BREAKDOWN) (REPLACES 206-050-118-102) (REPLACED BY 206-050-296-108)	REF	NP	R
	206-050-296-108	. SKID TUBE ASSY, RH (SEE FIG. 2 FOR BALANCE OF BREAKDOWN) (REPLACES 206-050-118-104)	REF	SP	S
40	MS20600M-8	. . RIVET	36		ABN P
41	MS90354-08	. . RIVET	40	P	QR
41	MS90354U08	. . RIVET	40	SP	S
	206-050-138-001	. . RETAINER INSTL	4	NP	AB
	206-050-228-001	. . RETAINER INSTL	4	NP	NPQ RS
42	206-050-138-003	. . . RETAINER	1	P	AB
42	206-050-228-003	. . . RETAINER	1	SP	NPQ RS
		NOTE 1: SEAL EXTRUSION MATERIAL 110-004-3 IS WHITE AND IS PROCURABLE BY THE LINEAR FOOT. IF PREFERRED, 110-004-2 COLOR CHARCOAL/BLACK MAY BE ORDERED.			
		NOTE 2: 206-050-118 SKID TUBE ASSY IS INACTIVE FOR FUTURE PROCUREMENT. FOR SPARE PART REPLACEMENT USE 206-050-296-107. SEE FIGURE 32-2 FOR ADDITIONAL INFORMATION.			
		NOTE 3: 206-050-118 SKID TUBE ASSY IS INACTIVE FOR FUTURE PROCUREMENT. FOR SPARE PART REPLACEMENT USE 206-050-296-108. SEE FIGURE 32-2 FOR ADDITIONAL INFORMATION.			
		USABLE ON CODES			
	CODE	MODEL	SERIAL NUMBER		
	A	206A	4-103		
	B	206A	104-583		
	C	206A/B	4-4359		
	D	206A	354-413		
	E	206B	914-3216		
	F	206B	3217-3566		
	G	206A	104-153,204-253,414-497		
	H	206A	154-203,254-353		

(1) INDEX NUMBER	(2) PART NUMBER	(3) ITEM NAME	(4) UNIT PER ASSY	(5) A V A I L	(6) U O C																																	
		<p>Figure 32-1. Fairing Installation, Landing Gear, Standard Low (Cont'd)</p> <table border="0"> <tr><td>J</td><td>206A/B</td><td>498-913</td></tr> <tr><td>K</td><td>206B</td><td>3217-4012</td></tr> <tr><td>L</td><td>206B</td><td>4013-4359</td></tr> <tr><td>M</td><td>206A</td><td>104-353,414-583</td></tr> <tr><td>N</td><td>206A/B</td><td>584-976</td></tr> <tr><td>P</td><td>206B</td><td>977-2689</td></tr> <tr><td>Q</td><td>206B</td><td>2690-3216</td></tr> <tr><td>R</td><td>206B</td><td>3217-4294</td></tr> <tr><td>S</td><td>206B</td><td>4295-4359</td></tr> <tr><td>T</td><td>206B</td><td>4360-4584</td></tr> <tr><td>U</td><td>206B</td><td>4585-SUB</td></tr> </table> <p>1) UNLESS A (USBL ON...) NOTATION IN BRACKETS IS LISTED AFTER THE ITEM NAME IN COLUMN 3, NO CODE IN THE UOC COLUMN (COL.6) INDICATES THE PART APPLIES TO ALL SERIAL NUMBERS.</p> <p>2) IF THE SERIAL NUMBER COLUMN OF THE USABLE ON CODES TABLE IS BLANK, THE PART OR ASSEMBLY APPLIES TO ALL SERIAL NUMBERS OF THE RELATED MODEL.</p> <p>AVAIL CODE DEFINITION</p> <p>P Procurable NP Non Procurable SP Normal stock/procurable</p> <p>Please see Chapter 1 for additional information on availability codes as well as general use of the Illustrated Parts Breakdown manual.</p>	J	206A/B	498-913	K	206B	3217-4012	L	206B	4013-4359	M	206A	104-353,414-583	N	206A/B	584-976	P	206B	977-2689	Q	206B	2690-3216	R	206B	3217-4294	S	206B	4295-4359	T	206B	4360-4584	U	206B	4585-SUB			
J	206A/B	498-913																																				
K	206B	3217-4012																																				
L	206B	4013-4359																																				
M	206A	104-353,414-583																																				
N	206A/B	584-976																																				
P	206B	977-2689																																				
Q	206B	2690-3216																																				
R	206B	3217-4294																																				
S	206B	4295-4359																																				
T	206B	4360-4584																																				
U	206B	4585-SUB																																				

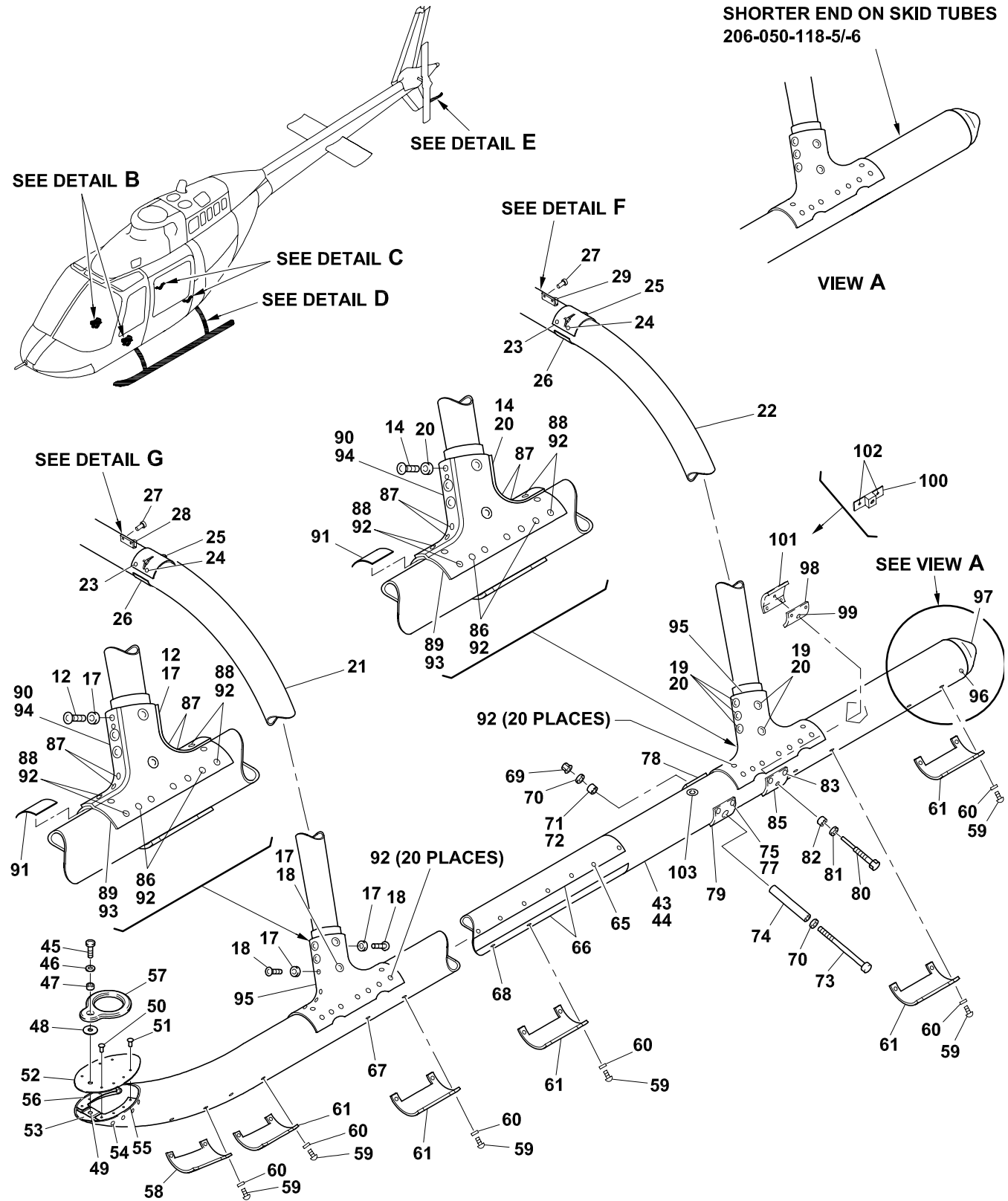
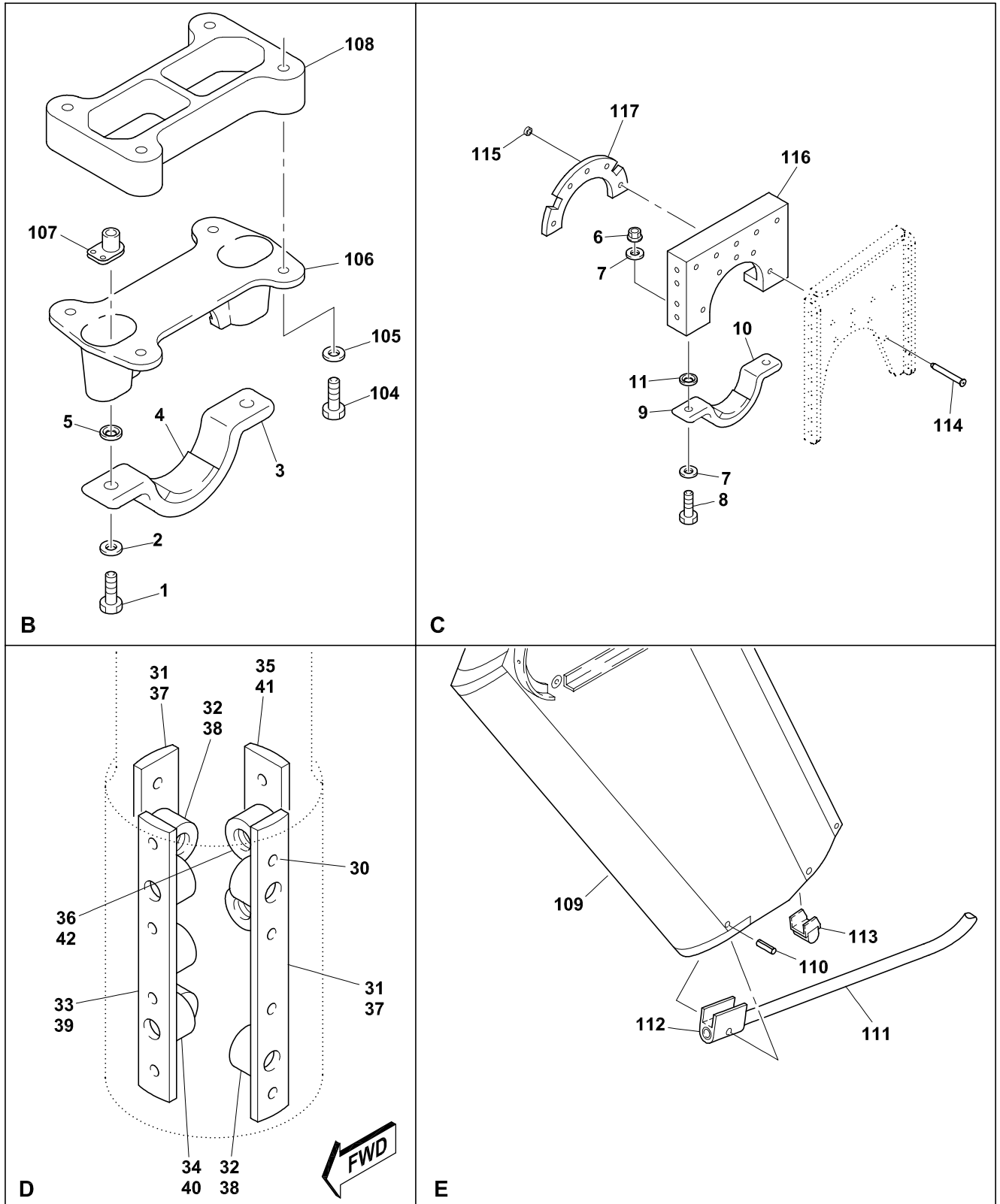


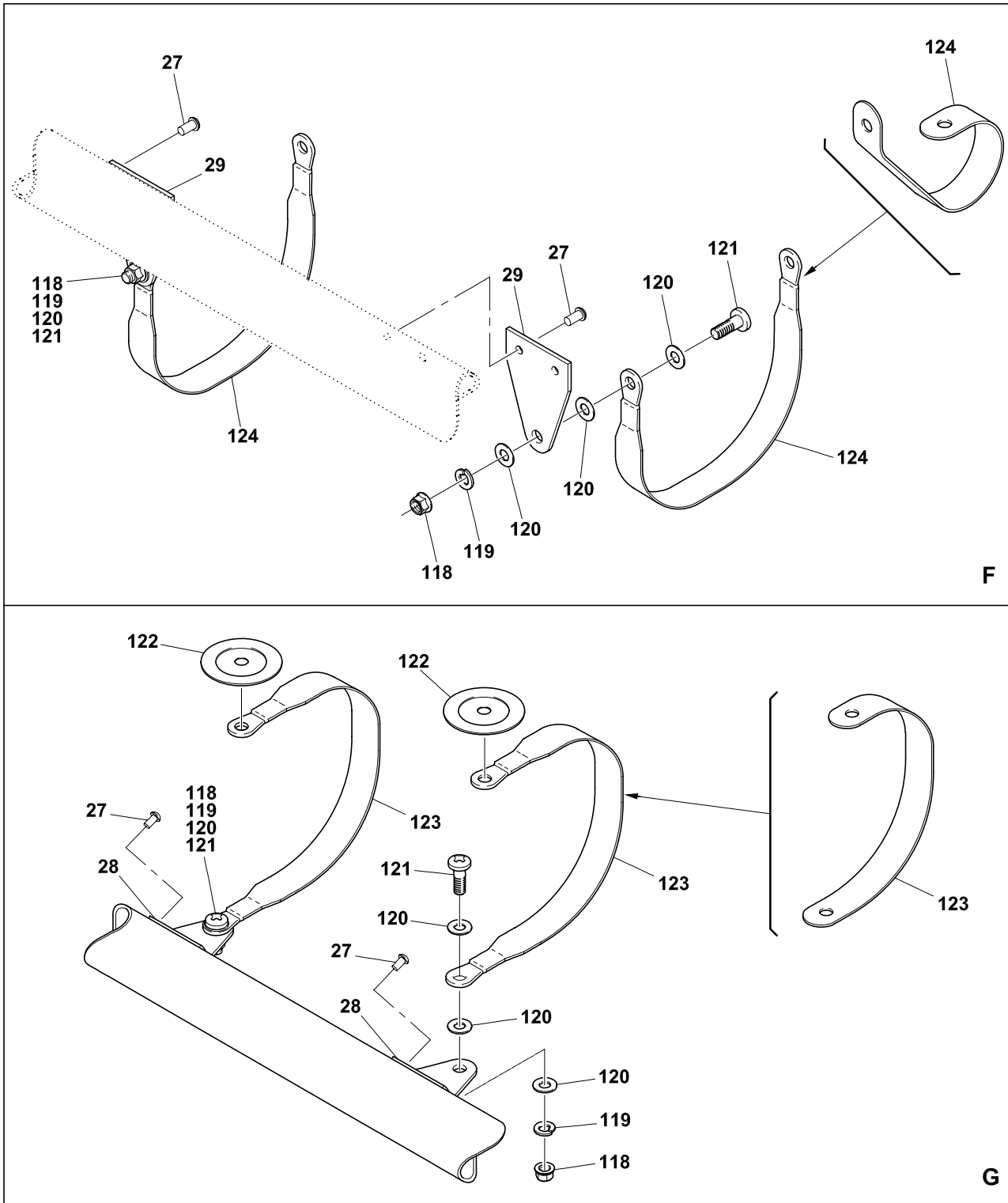
Figure 32-2. Landing Gear and Support Assemblies, Standard Low; and Skid Assembly, Tail
(Sheet 1 of 3)

206AB_IPB_32_0001



206AB_IPB_32_0002

Figure 32-2. Landing Gear and Support Assemblies, Standard Low; and Skid Assembly, Tail
(Sheet 2 of 3)



206AB IPB 32 0005

Figure 32-2. Landing Gear and Support Assemblies, Standard Low; and Skid Assembly, Tail
(Sheet 3 of 3)

(1) INDEX NUMBER	(2) PART NUMBER	(3) ITEM NAME	(4) UNIT PER ASSY	(5) A V A I L	(6) U O C
		Figure 32-2. Landing Gear and Support Assemblies, Standard Low; and Skid Assembly, Tail			
	206-031-001-007	FUSELAGE ASSY, FWD (NOTE 11) (S/N 4 THRU 53)	REF		
	206-031-001-013	FUSELAGE ASSY (S/N 54 THRU 103)	REF		
	206-031-001-021	FUSELAGE ASSY (S/N 104 THRU 153)	REF		
	206-031-001-025	FUSELAGE ASSY (S/N 154 THRU 203)	REF		
	206-031-001-033	FUSELAGE ASSY (S/N 204 THRU 253)	REF		
	206-031-001-029	FUSELAGE ASSY (S/N 254 THRU 303)	REF		
	206-031-001-037	FUSELAGE ASSY (S/N 304 THRU 353)	REF		
	206-031-001-041	FUSELAGE ASSY (S/N 354 THRU 413)	REF		
	206-031-001-045	FUSELAGE ASSY (S/N 414 THRU 497)	REF		
	206-031-001-053	FUSELAGE ASSY (S/N 498 THRU 583)	REF		
	206-031-001-049	FUSELAGE ASSY (S/N 584 THRU 660, 672 THRU 715)	REF		
	206-031-001-061	FUSELAGE ASSY (S/N 661 THRU 671, 716 THRU 913)	REF		
	206-031-001-057	FUSELAGE ASSY (S/N 914 THRU 1163)	REF		
	206-031-001-065	FUSELAGE ASSY (S/N 1164 THRU 1251)	REF		
	206-031-001-069	FUSELAGE ASSY (S/N 1252 THRU 1413)	REF		
	206-031-001-073	FUSELAGE ASSY (S/N 1414 THRU 1750)	REF		
	206-031-001-077	FUSELAGE ASSY (S/N 1751 THRU 1903)	REF		
	206-031-001-083	FUSELAGE ASSY (S/N 1904 THRU 2211)	REF		
	206-031-001-093	FUSELAGE ASSY (S/N 2212 THRU 2488)	REF		
	206-031-001-097	FUSELAGE ASSY (S/N 2489 THRU 3121)	REF		
	206-031-001-109	FUSELAGE ASSY (S/N 3122 THRU 3216)	REF		
	206-031-001-113	FUSELAGE ASSY (S/N 3217 THRU 3566)	REF		
	206-031-001-117	FUSELAGE ASSY (S/N 3567 THRU 4421)	REF		
	206-031-001-137	FUSELAGE ASSY (S/N 4422 THRU 4453)	REF		
	206-031-001-139	FUSELAGE ASSY (S/N 4454 THRU SUB)	REF		
1	AN4-6A	. BOLT (NOTE 4)	4	SP	C
1	AN4-10A	. BOLT (NOTE 4)	4	SP	NQ
2	AN960PD416	. WASHER (REPLACED BY NAS1149D0463J)	4	NP	
2	NAS1149D0463J	. WASHER (REPLACES AN960PD416)	4	SP	
3	206-050-122-001	. STRAP ASSY, CROSS TUBE, LANDING GEAR, FWD (NOTE 4)	2	NP	C
3	206-052-105-029	. STRAP ASSY, CROSS TUBE, LANDING GEAR, FWD (NOTE 4)	2	SP	NQ
4	206-050-122-005	. . CUSHION (USBL ON 206-050-122-001)	1	SP	
4	206-052-105-009	. . CUSHION (USBL ON 206-052-105-029)	1	SP	
5	140-009C16S48	. WASHER (POST A.S.B. 206-94-78)	4	SP	
6	NAS679A4	. NUT (REPLACED BY MS21042L4)	2	P	
6	MS21042L4	. NUT (REPLACES NAS679A4)	2	SP	
		(ALTERNATE PART)			
6	NAS698A4	. NUTPLATE (REPLACED BY MS21073L4)	2	P	
6	MS21073L4	. NUTPLATE (REPLACES NAS698A4)	2	SP	
7	AN960PD416	. WASHER (REPLACED BY NAS1149D0463J)	4	NP	
7	NAS1149D0463J	. WASHER (REPLACES AN960PD416)	4	SP	
8	AN4-5A	. BOLT (NOTE 5)	4	SP	C
8	AN4-7A	. BOLT (NOTE 5)	4	SP	N
8	AN4-10A	. BOLT (NOTE 5)	4	SP	Q
9	206-050-123-001	. STRAP ASSY, CROSS TUBE, LANDING GEAR, AFT (NOTE 5) (REPLACED BY 206-050-242-001 AND -101)	2	NP	C
9	206-050-242-001	. STRAP ASSY, CROSS TUBE, LANDING GEAR, AFT (NOTE 5) (REPLACES 206-050-123-001) (REPLACED BY 206-050-242- 101)	2	NP	N
9	206-050-242-101	. STRAP ASSY, CROSS TUBE, LANDING GEAR, AFT (NOTE 5) (REPLACES 206-050-123-001 AND 206-050-242-001)	2	SP	Q
10	206-050-123-005	. . CUSHION (USBL ON 206-050-123-001)	1	P	
10	206-050-242-103	. . CUSHION (USBL ON 206-050-242-001 AND -101)	1	SP	
11	140-009C16S48	. WASHER (POST A.S.B. 206-94-78)	4	SP	
	206-050-118-003	LANDING GEAR ASSY (SEE FIG. 1 FOR BALANCE OF BREAKDOWN)	REF	NP	A

(1) INDEX NUMBER	(2) PART NUMBER	(3) ITEM NAME	(4) UNIT PER ASSY	(5) A V A I L	(6) U O C
		Figure 32-2. Landing Gear and Support Assemblies, Standard Low; and Skid Assembly, Tail (Cont'd)			
	206-050-118-007	LANDING GEAR ASSY (SEE FIG. 1 FOR BALANCE OF BREAKDOWN)	REF	NP	E
	206-050-118-027	LANDING GEAR ASSY (SEE FIG. 1 FOR BALANCE OF BREAKDOWN) (REPLACED BY 206-050-118-041)	REF	NP	H
	206-050-118-041	LANDING GEAR ASSY (SEE FIG. 1 FOR BALANCE OF BREAKDOWN) (REPLACES 206-050-118-027)	REF	NP	H
	206-050-118-039	LANDING GEAR ASSY (SEE FIG. 1 FOR BALANCE OF BREAKDOWN) (REPLACED BY 206-050-118-055)	REF	NP	J
	206-050-118-047	LANDING GEAR ASSY (SEE FIG. 1 FOR BALANCE OF BREAKDOWN)	REF	NP	L
	206-050-118-055	LANDING GEAR ASSY (SEE FIG. 1 FOR BALANCE OF BREAKDOWN) (REPLACES 206-050-118-039) (REPLACED BY 206-050-287-101)	REF	NP	PS
	206-050-287-101	LANDING GEAR ASSY (SEE FIG. 1 FOR BALANCE OF BREAKDOWN) (REPLACES 206-050-118-055)	REF	P	V
	206-050-287-105	LANDING GEAR ASSY (SEE FIG. 1 FOR BALANCE OF BREAKDOWN) (REPLACED BY 206-320-503)	REF	P	XU
	206-320-503	LOW SKID GEAR KIT (SEE FIG. 5 FOR BREAKDOWN) (REPLACES 206-050-287-105)	REF		BB
12	MS27039-5-14	. SCREW (POST A.S.B. 206-94-78) (NOTE 1)	10	SP	BH
13	MS27039-5-13	. SCREW (POST A.S.B. 206-94-78) (NOTE 1)	8	SP	BH
14	MS27039-5-16	. SCREW (POST A.S.B. 206-94-78) (NOTE 2)	10	SP	DP
15	MS27039-5-15	. SCREW (POST A.S.B. 206-94-78) (NOTE 2)	8	SP	DP
16	206-050-228-1	. RETAINER INSTL (POST A.S.B. 206-94-78) (NOTE 2) (SEE FIG. 1 FOR BREAKDOWN)	REF		
17	AN960-516L	. WASHER (POST A.S.B. 206-94-78) (REPLACED BY NAS1149F0532P)	36	P	BH
17	NAS1149F0532P	. WASHER (POST A.S.B. 206-94-78) (REPLACES AN960-516L)	36	SP	BH
18	MS27039-5-13	. SCREW (NOTE 6)	18	SP	VXU
19	MS27039-5-16	. SCREW (NOTE 7)	18	SP	VXU
20	AN960-516L	. WASHER (USBL ON 206-050-287-101 AND -105) (REPLACED BY NAS1149F0532P)	36	P	VXU
20	NAS1149F0532P	. WASHER (REPLACES AN960-516L)	36	SP	VXU
21	206-050-119-001	. CROSS TUBE ASSY, FWD (PRE ASB 206-94-78)	1		AEH
21	206-050-119-005	. CROSS TUBE ASSY, FWD (PRE ASB 206-94-78) (REPLACED BY 206-050-119-103)	1	NP	JLP S
21	206-050-119-103	. CROSS TUBE ASSY, FWD (PRE A.S.B. 206-94-78) (REPLACES 206-050-119-005)	1	NP	JLP S
21	206-050-286-101	. CROSS TUBE ASSY, FWD (POST A.S.B. 206-94-78) (REPLACED BY 206-320-121)	1	P	
21	206-320-121	. CROSS TUBE ASSY, FWD (SEE FIG. 5 FOR BREAKDOWN) (REPLACES 206-050-286-103)	1	SP	
22	206-050-119-003	. CROSS TUBE ASSY, AFT (PRE ASB 206-94-78)	1	NP	AEH
22	206-050-119-007	. CROSS TUBE ASSY, AFT (PRE ASB 206-94-78) (REPLACED BY 206-050-119-101)	1	NP	JLP S
22	206-050-119-101	. CROSS TUBE ASSY, AFT (PRE A.S.B. 206-94-78) (REPLACES 206-050-119-007)	1	NP	JLP S
22	206-050-286-103	. CROSS TUBE ASSY, AFT (POST A.S.B. 206-94-78) (REPLACED BY 206-320-124)	1	P	
22	206-320-124	. CROSS TUBE ASSY, AFT (SEE FIG. 5 FOR BREAKDOWN) (REPLACES 206-050-286-103)	1	SP	
23	CR4623CW-6	. RIVET	2	P	
24	CR4622CW-6	. RIVET	2	P	
25	206-053-200-101	. STRAP ASSY	2	SP	
26	206-050-301-101	. STRIP, ABRASION	2	SP	
27	M7885/2-4	. RIVET	2	P	

(1) INDEX NUMBER	(2) PART NUMBER	(3) ITEM NAME	(4) UNIT PER ASSY	(5) A V A I L	(6) U O C
Figure 32-2. Landing Gear and Support Assemblies, Standard Low; and Skid Assembly, Tail (Cont'd)					
28	206-050-303-101	. . . CLIP (USBL ON 206-050-286-101)	2	P	
29	206-050-303-103	. . . CLIP (USBL ON 206-050-286-103)	2		
30	M7885/7-4	. . . RIVET	30	P	
31	206-050-121-001	. . . PLATE ASSY, FWD CROSS TUBE (REPLACED BY 601-023-107)	4	SP	
31	601-023-107	. . . PLATE ASSY, FWD CROSS TUBE (REPLACES 206-050-121-001)	4	SP	
32	NAS1067A5	. . . NUTPLATE (REPLACED BY MS21086L5)	2	P	
32	MS21086L5	. . . NUTPLATE (REPLACES NAS1067A5)	2	SP	
32	MS21069L5	. . . NUTPLATE	2	SP	
33	206-050-121-003	. . . PLATE ASSY, FWD CROSS TUBE (REPLACED BY 601-023-109)	2	SP	
33	601-023-109	. . . PLATE ASSY, FWD CROSS TUBE (REPLACES 206-050-121-003)	2	SP	
34	NAS1067A5	. . . NUTPLATE (REPLACED BY MS21086L5)	3	P	
34	MS21086L5	. . . NUTPLATE (REPLACES NAS1067A5)	3	SP	
34	MS21069L5	. . . NUTPLATE	3	SP	
35	206-050-121-005	. . . PLATE ASSY, FWD CROSS TUBE (REPLACED BY 601-023-111)	2	SP	
35	601-023-111	. . . PLATE ASSY, FWD CROSS TUBE (REPLACES 206-050-121-005)	2	SP	
36	NAS1067A5	. . . NUTPLATE (REPLACED BY MS21086L5)	2	P	
36	MS21086L5	. . . NUTPLATE (REPLACES NAS1067A5)	2	SP	
36	MS21069L5	. . . NUTPLATE	2	SP	
37	206-050-121-001	. . . PLATE ASSY, AFT CROSS TUBE (REPLACED BY 607-023-117)	4	SP	
37	601-023-117	. . . PLATE ASSY, AFT CROSS TUBE (REPLACES 206-050-121-001)	4	SP	
38	NAS1067A5	. . . NUTPLATE (REPLACED BY MS21086L5)	2	P	
38	MS21086L5	. . . NUTPLATE (REPLACES NAS1067A5)	2	SP	
38	MS21069L5	. . . NUTPLATE	2	SP	
39	206-050-121-003	. . . PLATE ASSY, AFT CROSS TUBE (REPLACED BY 601-023-119)	2	SP	
39	601-023-119	. . . PLATE ASSY	2	SP	
40	NAS1067A5	. . . NUTPLATE (REPLACED BY MS21086L5)	3	P	
40	MS21086L5	. . . NUTPLATE (REPLACES NAS1067A5)	3	SP	
40	MS21069L5	. . . NUTPLATE	3	SP	
41	206-050-121-005	. . . PLATE ASSY, AFT CROSS TUBE (REPLACED BY 601-023-121)	2	SP	
41	601-023-121	. . . PLATE ASSY, AFT CROSS TUBE (REPLACES 206-050-121-005)	2	SP	
42	NAS1067A5	. . . NUTPLATE (REPLACED BY MS21086L5)	2	P	
42	MS21086L5	. . . NUTPLATE (REPLACES NAS1067A5)	2	SP	
42	MS21069L5	. . . NUTPLATE	2	SP	U
43	206-050-118-005	. . . SKID TUBE ASSY, LH (SEE FIG. 1 FOR BALANCE OF BREAKDOWN)	1	NP	A
43	206-050-118-009	. . . SKID TUBE ASSY, LH (SEE FIG. 1 FOR BALANCE OF BREAKDOWN)	1	NP	E
43	206-050-118-029	. . . SKID TUBE ASSY, LH (SEE FIG. 1 FOR BALANCE OF BREAKDOWN)	1	NP	H
43	206-050-118-043	. . . SKID TUBE ASSY, LH (SEE FIG. 1 FOR BALANCE OF BREAKDOWN)	1	NP	J
43	206-050-118-049	. . . SKID TUBE ASSY, LH (SEE FIG. 1 FOR BALANCE OF BREAKDOWN)	1	NP	L
43	206-050-118-053	. . . SKID TUBE ASSY, LH (SEE FIG. 1 FOR BALANCE OF BREAKDOWN)	1	NP	P
43	206-050-118-101	. . . SKID TUBE ASSY, LH (SEE FIG. 1 FOR BALANCE OF BREAKDOWN) (REPLACED BY 206-050-118-103)	1	NP	S
43	206-050-118-103	. . . SKID TUBE ASSY, LH (SEE FIG. 1 FOR BALANCE OF BREAKDOWN) (REPLACES 206-050-118-053 AND -101)	1	NP	S
43	206-050-296-101	. . . SKID TUBE ASSY, LH	1	SP	V
43	206-050-296-107	. . . SKID TUBE ASSY, LH (NOTE 8) (REPLACED BY 206-320-201)	1	SP	X
43	206-320-201	. . . SKID TUBE ASSY, LH (NOTE 8) (REPLACES 206-050-296-107)	1	P	U
44	206-050-118-006	. . . SKID TUBE ASSY, RH (SEE FIG. 1 FOR BALANCE OF BREAKDOWN)	1	NP	A
44	206-050-118-010	. . . SKID TUBE ASSY, RH (SEE FIG. 1 FOR BALANCE OF BREAKDOWN)	1	NP	E

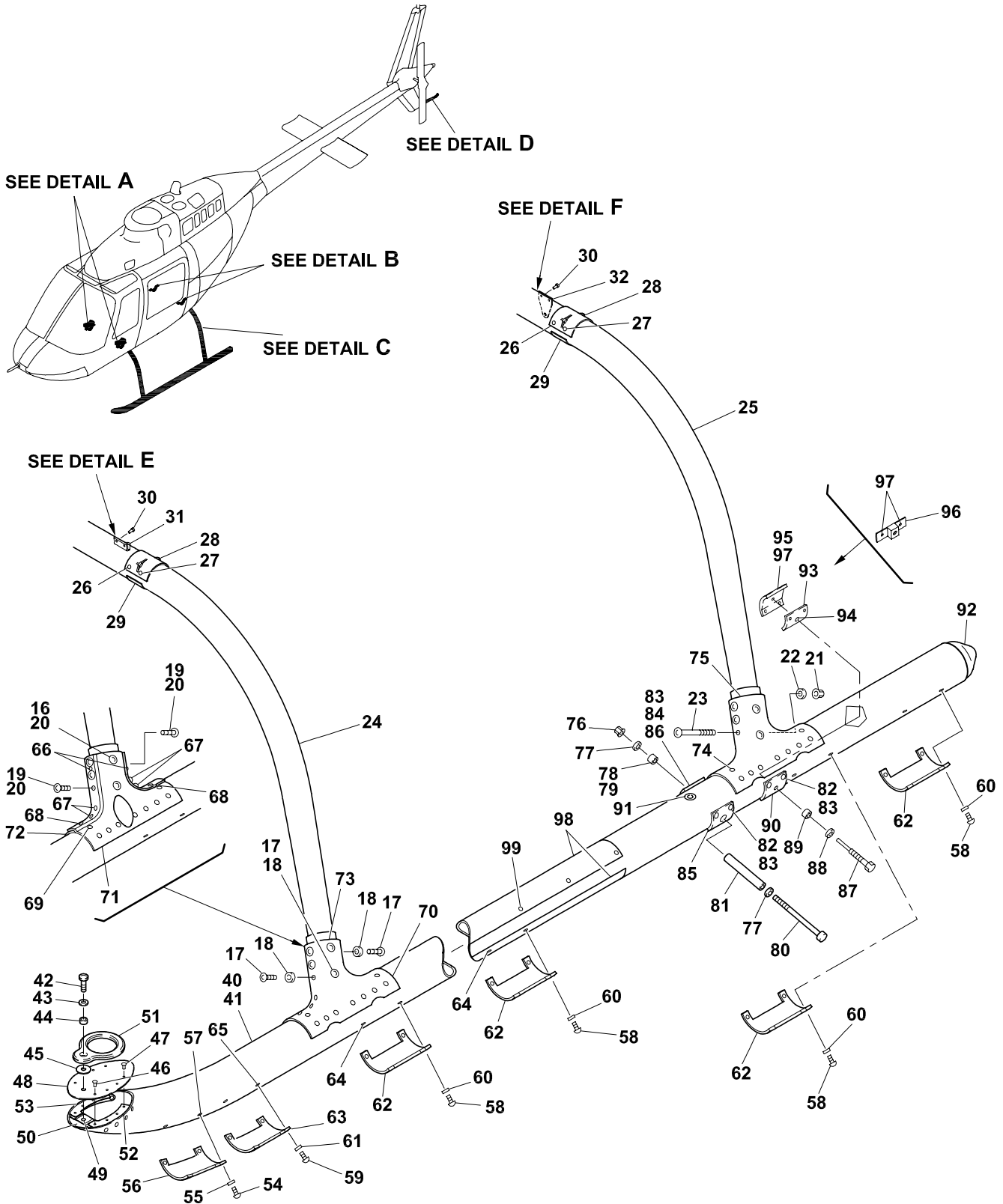
(1) INDEX NUMBER	(2) PART NUMBER	(3) ITEM NAME	(4) UNIT PER ASSY	(5) A V A I L	(6) U O C
		Figure 32-2. Landing Gear and Support Assemblies, Standard Low; and Skid Assembly, Tail (Cont'd)			
44	206-050-118-030	. SKID TUBE ASSY, RH (SEE FIG. 1 FOR BALANCE OF BREAKDOWN)	1	NP	H
44	206-050-118-044	. SKID TUBE ASSY, RH (SEE FIG. 1 FOR BALANCE OF BREAKDOWN)	1	NP	J
44	206-050-118-050	. SKID TUBE ASSY, RH (SEE FIG. 1 FOR BALANCE OF BREAKDOWN)	1	NP	L
44	206-050-118-054	. SKID TUBE ASSY, RH (SEE FIG. 1 FOR BALANCE OF BREAKDOWN)	1	NP	P
44	206-050-118-102	. SKID TUBE ASSY, RH (SEE FIG. 1 FOR BALANCE OF BREAKDOWN) (REPLACED BY 206-050-118-104)	1	NP	S
44	206-050-118-104	. SKID TUBE ASSY, RH (SEE FIG. 1 FOR BALANCE OF BREAKDOWN) (REPLACES 206-050-118-054 AND -102)	1	NP	S
44	206-050-296-102	. SKID TUBE ASSY, RH	1	SP	V
44	206-050-296-108	. SKID TUBE ASSY, RH (NOTE 8) (REPLACED BY 206-320-202)	1	SP	X
44	206-320-202	. SKID TUBE ASSY, RH (NOTE 8, 10, 8, 10) (REPLACES 206-050-296-108)	1	P	U
	206-050-133-011	. . . TOW RING INSTL	1	NP	F
45	MS27039-4-11	. . . SCREW	1	SP	
46	AN960PD416L	. . . WASHER (REPLACED BY NAS1149D0416J)	1	NP	
46	NAS1149D0416J	. . . WASHER (REPLACES AN960PD416L)	1	SP	
47	500-25	. . . WASHER, SPRING (REPLACED BY B0750-040)	1	NP	
47	B0750-040	. . . WASHER, SPRING (REPLACES 500-25)	1	SP	
48	NAS43DD4-11	. . . SPACER	1	SP	
49	NAS697A4	. . . NUTPLATE (REPLACED BY MS21069L4)	1	P	
49	MS21069L4	. . . NUTPLATE (REPLACES NAS697A4)	1	SP	
50	M7885/3-4-05	. . . RIVET	2	SP	
51	M7885/3-4-04	. . . RIVET	6	SP	
52	206-050-133-005	. . . COVER	1	P	
53	206-050-133-009	. . . STIFFENER	1	SP	
54	M7885/2-4-04	. . . RIVET	8	SP	
55	206-050-133-003	. . . CLIP, LH (REPLACED BY 601-021-003)	1	SP	
55	601-021-003	. . . CLIP, LH (REPLACES 206-050-133-003)	1	SP	
56	206-050-133-004	. . . CLIP, LH (REPLACED BY 601-021-004)	1	SP	
56	601-021-004	. . . CLIP, LH (REPLACES 206-050-133-004)	1	SP	
57	206-050-133-007	. . . RING (REPLACED BY 601-013-001)	1	SP	
57	601-013-001	. . . RING (REPLACES 206-050-133-007)	1	SP	
58	206-050-129-001	. . . SHOE ASSY (REPLACED BY 601-015-303)	1	SP	B
58	601-015-303	. . . SHOE ASSY (REPLACES 206-050-129-001)	1	SP	B
59	MS27039-1-08	. . . SCREW	24	SP	
60	AN960-10L	. . . WASHER (REPLACED BY NAS1149F0332P)	16	P	AH
60	NAS1149F0332P	. . . WASHER (REPLACES AN960-10L)	16	SP	AH
61	206-050-128-001	. . . SHOE ASSY (NOTE 3) (REPLACED BY 601-015-301)	4	SP	
61	601-015-301	. . . SHOE ASSY, MID (REPLACES 206-050-128-001)	4	SP	
62	MS27039-1-08	. . . SCREW (POST A.S.B. 206-94-78)	4	SP	BH
63	AN960-10L	. . . WASHER (POST A.S.B. 206-94-78) (REPLACED BY NAS1149F0332P)	4	P	BH
63	NAS1149F0332P	. . . WASHER (POST A.S.B. 206-94-78) (REPLACES AN960-10L)	4	SP	BH
64	206-050-128-001	. . . SHOE ASSY (POST A.S.B. 206-94-78)	1	SP	
65	M7885/6-4-2	. . . RIVET (POST A.S.B. 206-94-78)	28	NP	
66	206-050-302-111	. . . DOUBLER ASSY (POST A.S.B. 206-94-78)	2		
67	BN360-1032-1	. . . NUT ASSY	16	SP	EHJ
68	BN360-1032-1	. . . NUT ASSY (POST A.S.B. 206-94-78)	4	SP	
69	NAS679A6	. . . NUT (REPLACED BY MS21042L6)	1	P	
69	MS21042L6	. . . NUT (REPLACES NAS679A6)	1	SP	
70	AN960-616	. . . WASHER (REPLACED BY NAS1149F0663P)	2	SP	VX
70	NAS1149F0663P	. . . WASHER (REPLACES AN960-616)	2	SP	VX
71	NAS43HT6-26	. . . SPACER	2	SP	D

(1) INDEX NUMBER	(2) PART NUMBER	(3) ITEM NAME	(4) UNIT PER ASSY	(5) A V A I L	(6) U O C
		Figure 32-2. Landing Gear and Support Assemblies, Standard Low; and Skid Assembly, Tail (Cont'd)			
72	NAS43HT6-26	.. SPACER	1	SP	PSV X
73	AN6-44A	.. BOLT	1	SP	BHV X
74	NAS43HT6-222	.. SPACER	1	SP	PSV X
75	MS20601AD5	.. RIVET (REPLACES BY MS20601MP5W)	4		BH
76	MS20601MP5W	.. RIVET (REPLACES MS20601AD5) (REPLACES BY M7885/7-5)	4		PS
77	M7885/7-5	.. RIVET (REPLACES MS20601MP5W)	8	NP	VX
78	206-050-118-059	.. DOUBLER, INBD (USBL ON 206-050-118-ALL)	1	SP	PS
78	206-050-302-103	.. DOUBLER, INBD (USBL ON 206-050-296-ALL)	1	SP	VX
79	206-050-118-017	.. DOUBLER, OUTBD	1	P	BH
79	206-050-302-105	.. DOUBLER, OUTBD	1	SP	VX
80	206-050-130-001	.. BOLT	1	SP	BHV X
80	601-011-007	.. BOLT (REPLACES 206-050-130-001)	1	SP	BHV X
81	AN960-616	.. WASHER (REPLACES BY NAS1149F0663P)	1	SP	BHV X
81	NAS1149F0663P	.. WASHER (REPLACES AN960-616)	1	SP	BHV X
82	NAS43HT6-20	.. SPACER (USBL ON 206-050-118-ALL)	1	SP	BH
82	NAS43HT6-24	.. SPACER (USBL ON 206-050-296-ALL)	1	SP	VX
83	MS20601AD5	.. RIVET	4		BH
83	M7885/7-5	.. RIVET	4	NP	VX
85	206-050-118-017	.. DOUBLER (USBL ON 206-050-118-ALL) (REPLACES 206-050-302-109)	1	P	BH
85	206-050-302-109	.. DOUBLER (USBL ON 206-050-296-ALL)	1		VX
86	MS20600M8-3	.. RIVET	36		DP
87	MS20470AD5	.. RIVET	8	P	DP
88	MS20600M8-4	.. RIVET	4		DP
89	206-050-120-001	.. SADDLE, HALF, LH (REPLACES BY 206-050-120-005)	2	NP	AEH
89	206-050-120-005	.. SADDLE, HALF, LH (REPLACES 206-050-120-001)	2	SP	JLP
90	206-050-120-003	.. SADDLE, HALF, RH (REPLACES BY 206-050-120-007)	2	NP	AEH
90	206-050-120-007	.. SADDLE, HALF, RH (REPLACES 206-050-120-003)	2		AEH
91	206-050-118-111	.. FILLER	2	P	SV
92	MS90354-08	.. RIVET	40	P	S
92	MS90354U08	.. RIVET	40	SP	VX
93	206-050-120-005	.. SADDLE, HALF, LH, FWD	1	SP	S
94	206-050-120-007	.. SADDLE, HALF, RH, FWD	1		S
95	206-050-244-103	.. SADDLE, AFT (USBL ON 206-050-118-101, -102, -103, -104 AND 206-050-296-ALL) (REPLACES BY 206-050-244-101)	1	P	S
95	206-050-244-101	.. SADDLE, FWD AND AFT (REPLACES 206-050-244-103) (REPLACES BY 601-007-200)	2	P	SVW Y
95	601-007-200	.. SADDLE, FWD AND AFT (REPLACES 206-050-244-101)	2	P	S
96	MS20600AD4	.. RIVET	2		BH
96	M7885/6-4	.. RIVET	2	NP	VX
97	206-050-004-001	.. PLUG ASSY (REPLACES BY 601-019-001)	1	P	
97	601-019-001	.. PLUG ASSY (REPLACES 206-050-004-001)	1	P	
98	206-050-132-001	.. DOUBLER ASSY	1	SP	
99	NAS686C6	.. NUTPLATE (REPLACES BY MS21060-6)	1	P	
99	MS21060-6	.. NUTPLATE (REPLACES NAS686C6)	1	SP	
100	206-050-131-001	.. RECEPTACLE (USBL ON 206-050-118-101, -102)	1	SP	S
101	206-050-285-101	.. RETAINER (USBL ON 206-050-118-103, -104 AND 206-050-296-ALL)	1	SP	S
102	CR2248-5	.. RIVET	2		DP
102	CR2248-5	.. RIVET (USBL ON 206-050-118-101, -102)	2		S
102	NAS1739B5	.. RIVET (USBL ON 206-050-118-103, -104)	2	P	S
102	M7885/7-5	.. RIVET	2	NP	VX

(1) INDEX NUMBER	(2) PART NUMBER	(3) ITEM NAME	(4) UNIT PER ASSY	(5) A V A I L	(6) U O C
Figure 32-2. Landing Gear and Support Assemblies, Standard Low; and Skid Assembly, Tail (Cont'd)					
103	206-050-254-101	. . . PLUG ASSY	1	SP	SVX
	206-030-132-003	FITTING INSTL, LH.	1	NP	A
	206-030-132-005	FITTING INSTL, LH.	1	NP	GWY
	206-030-132-004	FITTING INSTL, RH.	1	NP	A
	206-030-132-006	FITTING INSTL, RH.	1	NP	GWY
104	AN4-5A	. BOLT	4	SP	A
104	AN4-14A	. BOLT	4	SP	GWY
105	AN960PD416	. WASHER (REPLACED BY NAS1149D0463J)	4	NP	
105	NAS1149D0463J	. WASHER (REPLACES AN960PD416)	4	SP	
106	206-030-104-001	. FITTING ASSY	1	SP	
107	NAS1067A4	. . NUTPLATE (REPLACED BY 90-070-4-2)	2	P	M
107	90-070-4-2	. . NUTPLATE (REPLACES NAS1067A4 AND MS21086L4)	2	SP	AA
108	206-031-167-001	. SPACER	1	SP	GWY
109	206-020-113-ALL	FIN ASSY	REF		
110	MS171655	. PIN (REPLACED BY NAS561C8-18)	1	P	
110	NAS561C8-18	. PIN (REPLACES MS171655)	1	SP	
111	206-020-110-005	. SKID ASSY	1	SP	
112	206-020-109-001	. FITTING	1	SP	
113	206-020-113-027	. BUMPER	1	SP	
	206-031-301-019	SUPPORT INSTL, CROSS TUBE, AFT	REF	NP	A
	206-031-301-029	SUPPORT INSTL, CROSS TUBE, AFT	REF	NP	G
	206-031-301-101	SUPPORT INSTL, CROSS TUBE, AFT	REF	NP	W
	206-031-301-111	SUPPORT INSTL, CROSS TUBE, AFT	REF	NP	Y
114	NAS1054-5-5	. PIN	10	SP	
115	NAS528-A5	. COLLAR	10	SP	
116	206-031-311-001	. FITTING	2		
117	206-030-330-001	. PLATE	2	NP	
	206-706-070-005	KIT, ADF PROVISIONS	REF		CC
	206-705-008-111	KIT, AVIONICS	REF	P	FF
	206-705-008-133	KIT, AVIONICS	REF	P	HH
	206-705-008-137	KIT, AVIONICS	REF	P	JJ
	206-705-008-159	KIT, AVIONICS	REF	P	LL
	206-705-008-161	KIT, AVIONICS	REF	P	MMN
	206-705-008-163	KIT, AVIONICS	REF	P	N
	206-705-008-167	KIT, AVIONICS	REF	NP	MM
	206-075-510-137	ELECTRICAL INSTL	REF	NP	NN
118	MS21042L3	. NUT, SELF-LOCKING	4	SP	PP
119	MS35338-43	. WASHER, LOCK	4	SP	
120	AN960D10L	. WASHER (REPLACED BY NAS1149D0316H)	4	P	
120	NAS1149D0316H	. WASHER (REPLACES AN960D10L)	4	SP	
121	MS27039-1-08	. SCREW	4	SP	
122	206-031-637-101	. WASHER, FWD (USBL ON 206-075-510-137)	2	SP	
123	120-055-1-16	. BONDING STRIP, FWD	2	SP	
123	120-172-4-008	. JUMPER ASSY, FWD (USBL ON 206-075-510-137)	2	SP	
124	120-055-1-12	. BONDING STRIP, AFT	2	SP	
124	120-055-1-4	. BONDING STRIP, AFT	2	SP	
124	120-172-4-002	. JUMPER ASSY, AFT (USBL ON 206-075-510-137)	2	SP	
NOTE 1: USABLE WITH TWO-PIECE FORWARD SADDLES IN CONJUNCTION WITH POST ASB 206-94-78 CROSS TUBES.					
NOTE 2: USABLE WITH TWO-PIECE AFT SADDLES IN CONJUNCTION WITH POST ASB 206-94-78 CROSS TUBES.					

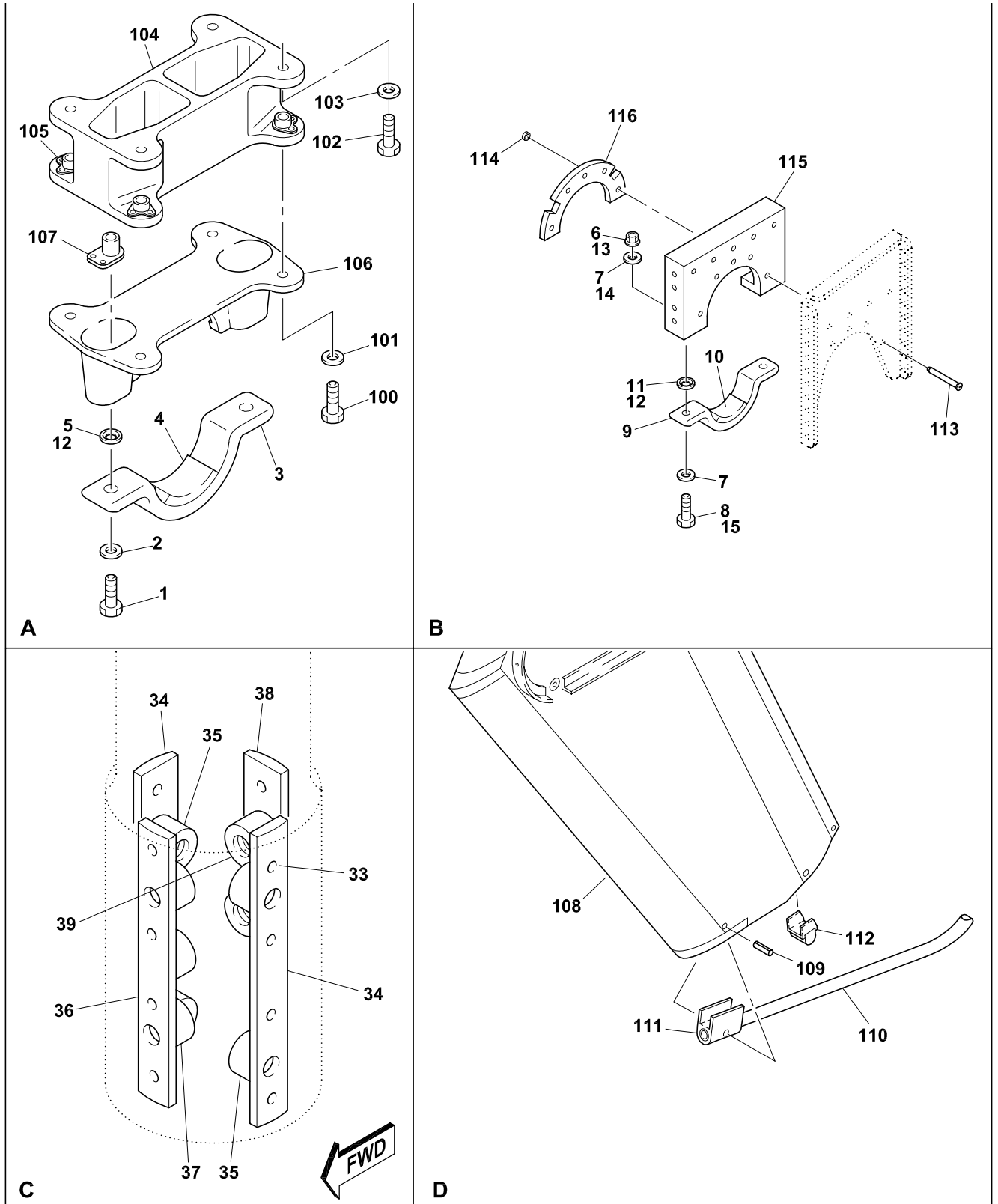
(1) INDEX NUMBER	(2) PART NUMBER	(3) ITEM NAME	(4) UNIT PER ASSY	(5) A V A I L	(6) U O C																																													
		<p>Figure 32-2. Landing Gear and Support Assemblies, Standard Low; and Skid Assembly, Tail (Cont'd)</p> <p>NOTE 3: EARLIER VERSIONS OF SKID TUBES 206-050-118 MAY HAVE ONLY 4 SKID SHOES 206-050-128-001 INSTALLED.</p> <p>NOTE 4: REPLACE 206-050-122-001 STRAP ASSY AND AN4-6A BOLTS (4) AS A UNIT USING 206-050-105-029 STRAP ASSY AND AN4-10A BOLTS (4).</p> <p>NOTE 5: REPLACE 206-050-123-001 STRAP ASSY AND AN4-5A BOLTS (4) AS A UNIT USING 206-050-242-001 STRAP ASSY AND AN4-7A BOLTS (4). REPLACE 206-050-242-001 STRAP ASSY AND AN4-7A BOLTS (4) AS A UNIT USING 206-050-242-101 STRAP ASSY AND AN4-10A BOLTS (4).</p> <p>NOTE 6: USABLE WITH ONE-PIECE FORWARD SADDLES IN CONJUNCTION WITH POST ASB 206-94-78 CROSS TUBES.</p> <p>NOTE 7: USABLE WITH ONE-PIECE AFT SADDLES IN CONJUNCTION WITH POST ASB 206-94-78 CROSS TUBES.</p> <p>NOTE 8: A 206-050-118 OR A 206-050-296 SKID TUBE ASSY MAY NOT BE USED WITH A 206-320-201 OR 206-320-202 SKID TUBE</p> <p>NOTE 9: OLDER SKID TUBES THAT DO NOT HAVE THE LONGER SPACER MAY BE UPGRADED BY ACCOMPLISHING TB 206-78-9.</p> <p>NOTE 10: FOR DETAIL PARTS OF AAI 206-320-201 AND -202 SKID TUBE ASSY, SEE FIGURE 32-5.</p> <p>NOTE 11: REFER TO SPECIFIC DETAIL PARTS FOR APPLICABILITY.</p> <p>USABLE ON CODES</p> <table border="1"> <thead> <tr> <th>CODE</th> <th>MODEL</th> <th>SERIAL NUMBER</th> </tr> </thead> <tbody> <tr><td>A</td><td>206A</td><td>4-103</td></tr> <tr><td>AA</td><td>206B</td><td>4261-SUB</td></tr> <tr><td>B</td><td>206A/B</td><td>4-353, 414-4294</td></tr> <tr><td>BB</td><td>206B</td><td>4585-SUB</td></tr> <tr><td>C</td><td>206A/B</td><td>4-2488</td></tr> <tr><td>CC</td><td>206B</td><td>1564-3216</td></tr> <tr><td>D</td><td>206A/B</td><td>4-2689</td></tr> <tr><td>DD</td><td>206B</td><td>1564-4294</td></tr> <tr><td>E</td><td>206A</td><td>104-353, 414-583</td></tr> <tr><td>EE</td><td>206B</td><td>1564-4310</td></tr> <tr><td>F</td><td>206A/B</td><td>104-353, 414-4565</td></tr> <tr><td>FF</td><td>206B</td><td>3217-3566</td></tr> <tr><td>G</td><td>206A/B</td><td>104-4359</td></tr> <tr><td>GG</td><td>206B</td><td>3217-4586</td></tr> </tbody> </table>	CODE	MODEL	SERIAL NUMBER	A	206A	4-103	AA	206B	4261-SUB	B	206A/B	4-353, 414-4294	BB	206B	4585-SUB	C	206A/B	4-2488	CC	206B	1564-3216	D	206A/B	4-2689	DD	206B	1564-4294	E	206A	104-353, 414-583	EE	206B	1564-4310	F	206A/B	104-353, 414-4565	FF	206B	3217-3566	G	206A/B	104-4359	GG	206B	3217-4586			
CODE	MODEL	SERIAL NUMBER																																																
A	206A	4-103																																																
AA	206B	4261-SUB																																																
B	206A/B	4-353, 414-4294																																																
BB	206B	4585-SUB																																																
C	206A/B	4-2488																																																
CC	206B	1564-3216																																																
D	206A/B	4-2689																																																
DD	206B	1564-4294																																																
E	206A	104-353, 414-583																																																
EE	206B	1564-4310																																																
F	206A/B	104-353, 414-4565																																																
FF	206B	3217-3566																																																
G	206A/B	104-4359																																																
GG	206B	3217-4586																																																

(1) INDEX NUMBER	(2) PART NUMBER	(3) ITEM NAME	(4) UNIT PER ASSY	(5) A V A I L	(6) U O C																																																																											
		<p>Figure 32-2. Landing Gear and Support Assemblies, Standard Low; and Skid Assembly, Tail (Cont'd)</p> <table> <tr><td>H</td><td>206A</td><td>354-413</td></tr> <tr><td>HH</td><td>206B</td><td>3567-4359</td></tr> <tr><td>J</td><td>206A/B</td><td>584-976</td></tr> <tr><td>JJ</td><td>206B</td><td>4012-4310</td></tr> <tr><td>K</td><td>206A/B</td><td>584-SUB</td></tr> <tr><td>KK</td><td>206B</td><td>4295-4586</td></tr> <tr><td>L</td><td>206B</td><td>977-2689</td></tr> <tr><td>LL</td><td>206B</td><td>4311-4359</td></tr> <tr><td>M</td><td>206B</td><td>1564-4260</td></tr> <tr><td>MM</td><td>206B</td><td>4360-4514</td></tr> <tr><td>N</td><td>206B</td><td>2489-3121</td></tr> <tr><td>NN</td><td>206B</td><td>4515-4586</td></tr> <tr><td>P</td><td>206B</td><td>2690-3216</td></tr> <tr><td>PP</td><td>206B</td><td>4587-SUB</td></tr> <tr><td>Q</td><td>206B</td><td>3122-SUB</td></tr> <tr><td>QQ</td><td>206B</td><td>4311-4586</td></tr> <tr><td>R</td><td>206B</td><td>3217-4004</td></tr> <tr><td>S</td><td>206B</td><td>3217-4294</td></tr> <tr><td>T</td><td>206B</td><td>4005-4523</td></tr> <tr><td>U</td><td>206B</td><td>4566-4584</td></tr> <tr><td>V</td><td>206B</td><td>4295-4359</td></tr> <tr><td>W</td><td>206B</td><td>4360-4462</td></tr> <tr><td>X</td><td>206B</td><td>4360-4565</td></tr> <tr><td>Y</td><td>206B</td><td>4463-SUB</td></tr> <tr><td>Z</td><td>206B</td><td>4524-SUB</td></tr> </table> <p>1) UNLESS A (USBL ON...) NOTATION IN BRACKETS IS LISTED AFTER THE ITEM NAME IN COLUMN 3, NO CODE IN THE UOC COLUMN (COL.6) INDICATES THE PART APPLIES TO ALL SERIAL NUMBERS.</p> <p>2) IF THE SERIAL NUMBER COLUMN OF THE USABLE ON CODES TABLE IS BLANK, THE PART OR ASSEMBLY APPLIES TO ALL SERIAL NUMBERS OF THE RELATED MODEL.</p> <p>AVAIL CODE DEFINITION</p> <p>P Procurable NP Non Procurable SP Normal stock/procurement</p> <p>Please see Chapter 1 for additional information on availability codes as well as general use of the Illustrated Parts Breakdown manual.</p>	H	206A	354-413	HH	206B	3567-4359	J	206A/B	584-976	JJ	206B	4012-4310	K	206A/B	584-SUB	KK	206B	4295-4586	L	206B	977-2689	LL	206B	4311-4359	M	206B	1564-4260	MM	206B	4360-4514	N	206B	2489-3121	NN	206B	4515-4586	P	206B	2690-3216	PP	206B	4587-SUB	Q	206B	3122-SUB	QQ	206B	4311-4586	R	206B	3217-4004	S	206B	3217-4294	T	206B	4005-4523	U	206B	4566-4584	V	206B	4295-4359	W	206B	4360-4462	X	206B	4360-4565	Y	206B	4463-SUB	Z	206B	4524-SUB			
H	206A	354-413																																																																														
HH	206B	3567-4359																																																																														
J	206A/B	584-976																																																																														
JJ	206B	4012-4310																																																																														
K	206A/B	584-SUB																																																																														
KK	206B	4295-4586																																																																														
L	206B	977-2689																																																																														
LL	206B	4311-4359																																																																														
M	206B	1564-4260																																																																														
MM	206B	4360-4514																																																																														
N	206B	2489-3121																																																																														
NN	206B	4515-4586																																																																														
P	206B	2690-3216																																																																														
PP	206B	4587-SUB																																																																														
Q	206B	3122-SUB																																																																														
QQ	206B	4311-4586																																																																														
R	206B	3217-4004																																																																														
S	206B	3217-4294																																																																														
T	206B	4005-4523																																																																														
U	206B	4566-4584																																																																														
V	206B	4295-4359																																																																														
W	206B	4360-4462																																																																														
X	206B	4360-4565																																																																														
Y	206B	4463-SUB																																																																														
Z	206B	4524-SUB																																																																														



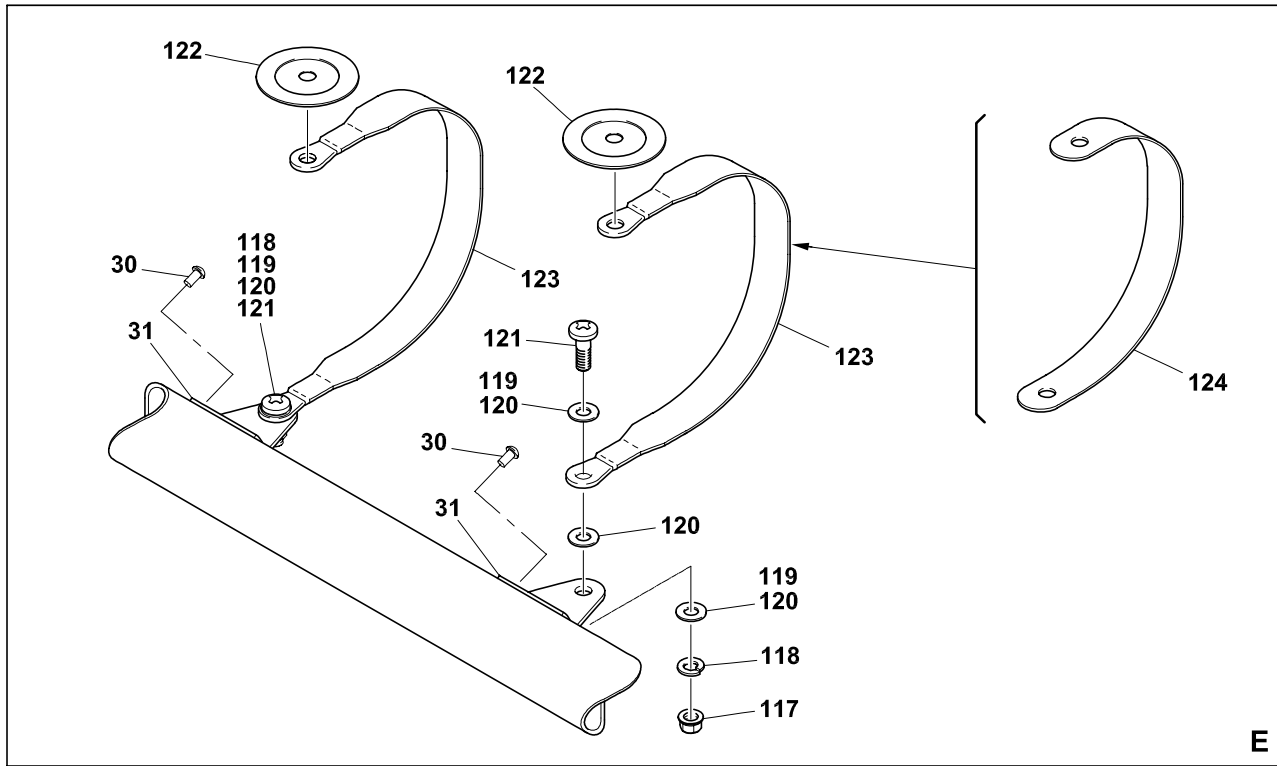
206AB_IPB_32_0006

Figure 32-3. Kit, High Skid Gear and Support Installation (Sheet 1 of 4)



206AB_IPB_32_0007

Figure 32-3. Kit, High Skid Gear and Support Installation (Sheet 2 of 4)



206AB_IPB_32_0008

Figure 32-3. Kit, High Skid Gear and Support Installation (Sheet 3 of 4)

(1) INDEX NUMBER	(2) PART NUMBER	(3) ITEM NAME	(4) UNIT PER ASSY	(5) A V A I L	(6) U O C
		Figure 32-3. Kit, High Skid Gear and Support Installation			
	206-031-001-007	FUSELAGE ASSY, FWD (S/N 4 THRU 53)	REF		
	206-031-001-013	FUSELAGE ASSY, FWD (S/N 54 THRU 103)	REF		
	206-031-001-021	FUSELAGE ASSY, FWD (S/N 104 THRU 153)	REF		
	206-031-001-025	FUSELAGE ASSY, FWD (S/N 154 THRU 203)	REF		
	206-031-001-033	FUSELAGE ASSY, FWD (S/N 204 THRU 253)	REF		
	206-031-001-029	FUSELAGE ASSY, FWD (S/N 254 THRU 303)	REF		
	206-031-001-037	FUSELAGE ASSY, FWD (S/N 304 THRU 353)	REF		
	206-031-001-041	FUSELAGE ASSY, FWD (S/N 354 THRU 413)	REF		
	206-031-001-045	FUSELAGE ASSY, FWD (S/N 414 THRU 497)	REF		
	206-031-001-053	FUSELAGE ASSY, FWD (S/N 498 THRU 583)	REF		
	206-031-001-049	FUSELAGE ASSY, FWD (S/N 584 THRU 660, 672 THRU 715)	REF		
	206-031-001-061	FUSELAGE ASSY, FWD (S/N 661 THRU 671, 716 THRU 913)	REF		
	206-031-001-057	FUSELAGE ASSY, FWD (S/N 914 THRU 1163)	REF		
	206-031-001-065	FUSELAGE ASSY, FWD (S/N 1164 THRU 1251)	REF		
	206-031-001-069	FUSELAGE ASSY, FWD (S/N 1252 THRU 1413)	REF		
	206-031-001-073	FUSELAGE ASSY, FWD (S/N 1414 THRU 1750)	REF		
	206-031-001-077	FUSELAGE ASSY, FWD (S/N 1751 THRU 1903)	REF		
	206-031-001-083	FUSELAGE ASSY, FWD (S/N 1904 THRU 2211)	REF		
	206-031-001-093	FUSELAGE ASSY, FWD (S/N 2212 THRU 2488)	REF		
	206-031-001-097	FUSELAGE ASSY, FWD (S/N 2489 THRU 3121)	REF		
	206-031-001-109	FUSELAGE ASSY, FWD (S/N 3122 THRU 3216)	REF		
	206-031-001-113	FUSELAGE ASSY, FWD (S/N 3217 THRU 3566)	REF		
	206-031-001-117	FUSELAGE ASSY, FWD (S/N 3567 THRU 4421)	REF		
	206-031-001-137	FUSELAGE ASSY, FWD (S/N 4422 THRU 4453)	REF		
	206-031-001-139	FUSELAGE ASSY, FWD (S/N 4454 THRU SUB)	REF		
1	AN4-6A	. BOLT (NOTE 4)	4	SP	A
1	AN4-10A	. BOLT (NOTE 4)	4	SP	BC
2	AN960PD416	. WASHER (REPLACED BY NAS1149D0463J)	4	NP	
2	NAS1149D0463J	. WASHER (REPLACES AN960PD416)	4	SP	
3	206-050-122-001	. STRAP ASSY, CROSS TUBE, LANDING GEAR, FWD (NOTE 4)	2	NP	A
3	206-052-105-029	. STRAP ASSY, CROSS TUBE, LANDING GEAR, FWD (NOTE 4)	2	SP	BC
4	206-050-122-005	. . CUSHION (USBL ON 206-050-122-001)	1	SP	
4	206-052-105-009	. . CUSHION (USBL ON 206-052-105-029)	1	SP	
5	140-009C16S48	. WASHER (POST A.S.B. 206-94-78)	4	SP	
6	NAS679A4	. NUT (REPLACES NAS679A4 AND AN960PD416) (REPLACED BY MS21042L4)	4	P	
6	MS21042L4	. NUT (REPLACES NAS679A4)	4	SP	
		(ALTERNATE PART)			
6	NAS698A4	. NUTPLATE (REPLACED BY MS21073L4)	4	P	
6	MS21073L4	. NUTPLATE (REPLACES NAS698A4)	4	SP	
7	AN960PD416	. WASHER (REPLACED BY NAS1149D0463J)	4	NP	
7	NAS1149D0463J	. WASHER (REPLACES AN960PD416)	4	SP	
8	AN4-5A	. BOLT (NOTE 5)	4	SP	A
8	AN4-7A	. BOLT (NOTE 5)	4	SP	B
8	AN4-10A	. BOLT (NOTE 5)	4	SP	C
9	206-050-123-001	. STRAP ASSY, CROSS TUBE, LANDING GEAR, AFT (NOTE 5) (REPLACED BY 206-050-242-001 AND -101)	2	NP	A
9	206-050-242-001	. STRAP ASSY, CROSS TUBE, LANDING GEAR, AFT (NOTE 5) (REPLACES 206-050-123-001) (REPLACED BY 206-050-242-101)	2	NP	B
9	206-050-242-101	. STRAP ASSY, CROSS TUBE, LANDING GEAR, AFT (NOTE 5) (REPLACES 206-050-123-001 AND -206-050-242-001)	2	SP	C
10	206-050-123-005	. . CUSHION (USBL ON 206-050-123-001)	1	P	
10	206-050-242-103	. . CUSHION (USBL ON 206-050-242-001 AND -101)	1	SP	
	206-706-031-001	KIT, HIGH SKID GEAR (REPLACED BY 206-706-031-103)	1	NP	
	206-706-031-103	KIT, HIGH SKID GEAR (REPLACES 206-706-031-001) (REPLACED BY 206-706-031-107)	1	NP	
	206-706-031-107	KIT, HIGH SKID GEAR (REPLACES 206-706-031-103)	1	SP	QU

(1) INDEX NUMBER	(2) PART NUMBER	(3) ITEM NAME	(4) UNIT PER ASSY	(5) A V A I L	(6) U O C
		Figure 32-3. Kit, High Skid Gear and Support Installation			
	206-706-031-101	KIT, HIGH SKID GEAR (REPLACED BY 206-706-031-105)	1	NP	
	206-706-031-105	KIT, HIGH SKID GEAR (REPLACES 206-706-031-101) (REPLACED BY 206-706-031-109)	1	NP	
11	206-706-031-109	KIT, HIGH SKID GEAR (REPLACES 206-706-031-105)	1	SP	VMN
12	140-009C16S48	. WASHER (POST A.S.B. 206-94-78 S/N 4-4293)	4	SP	
13	140-009C16S48	. WASHER (USBL ON 206-706-031-103, -105, -107 AND -109)	8	SP	
13	MS21042L4	. NUT (USBL ON 206-706-031-103, -105, -107 AND -109) (ALTERNATE PART)	4	SP	
13	NAS698A4	. NUTPLATE (REPLACED BY MS21073L4)	4	P	
13	MS21073L4	. NUTPLATE (REPLACES NAS698A4)	4	SP	
14	AN960JD416	. WASHER (USBL ON 206-706-031-103, -105, -107 AND -109) (REPLACED BY NAS1149D0463J)	4	P	
14	NAS1149D0463J	. WASHER (REPLACES AN960JD416)	4	SP	
15	AN4-10A	. BOLT (USBL ON 206-706-031-103, -105, -107 AND -109)	4	SP	
	206-050-107-003	. LANDING GEAR ASSY (USBL ON 206-706-031-001) (REPLACED BY 206-050-107-103)	1	NP	
	206-050-107-103	. LANDING GEAR ASSY (USBL ON 206-706-031-101) (REPLACES 206-050-107-003) (REPLACED BY 206-050-289-101)	1	NP	B
	206-050-289-101	. LANDING GEAR ASSY (USBL ON 206-706-031-103 AND -105) (REPLACES 206-050-107-103)	1	NP	
	206-050-289-103	. LANDING GEAR ASSY (USBL ON 206-706-031-107 AND -109) (REPLACED BY 206-321-415)	1	NP	
	206-321-415	. HIGH SKID GEAR KIT (SEE FIG. 6 FOR BREAKDOWN) (USBL ON 206-706-031-107 AND -109)	1	P	
16	MS27039-5-11	. . SCREW (NOTE 1) (USBL ON 206-050-107-103)	8	SP	
17	MS27039-5-14	. . SCREW (USBL ON 206-050-289-101 AND -103)	18	SP	
18	AN960-516L	. . WASHER (USBL ON 206-050-289-101 AND -103) (REPLACED BY NAS1149F0532P)	18	P	
18	NAS1149F0532P	. . WASHER (REPLACES AN960-516L)	18	SP	
19	MS27039-5-12	. . SCREW (NOTE 1) (USBL ON 206-050-107-103)	10	SP	
20	MS27039-5-15	. . SCREW (USBL ON 206-050-107-103)	18	SP	
21	MS21042L5	. . NUT, SELF-LOCKING (POST A.S.B. 206-94-78 S/N 4-4293)	10	SP	
21	MS21042L5	. . NUT, SELF-LOCKING (USBL ON 206-050-289-101 AND -103)	10	SP	
22	AN960JD516L	. . WASHER (POST A.S.B. 206-94-78 S/N 4-4293)	10	P	
22	NAS1149D0516J	. . WASHER (REPLACES AN960JD516L)	10	SP	
22	AN960JD516L	. . WASHER (USBL ON 206-050-289-101 AND -103) (REPLACED BY NAS1149D0516J)	10	P	
22	NAS1149D0516J	. . WASHER (REPLACES AN960JD516L)	10	SP	
23	MS27039-5-48	. . SCREW (POST A.S.B. 206-94-78 S/N 4-4293)	10	SP	
23	MS27039-5-48	. . SCREW (USBL ON 206-050-289-101 AND -103)	10	SP	
24	206-050-107-025	. . CROSS TUBE ASSY, FWD (PRE A.S.B. 206-94-78) (REPLACED BY 206-050-107-119)	1	NP	
24	206-050-107-119	. . CROSS TUBE ASSY, FWD (PRE A.S.B. 206-94-78) (REPLACES 206-050-107-025)	1	NP	
24	206-050-288-101	. . CROSS TUBE ASSY, FWD (POST A.S.B. 206-94-78 S/N 4-4293) (REPLACED BY 206-321-021)	1	NP	
24	206-050-288-101	. . CROSS TUBE ASSY, FWD (USBL ON 206-050-289-101 AND -103) (REPLACED BY 206-321-021)	1	NP	
24	206-321-021	. . CROSS TUBE ASSY, FWD (SEE FIG. 6 FOR BREAKDOWN) (REPLACES 206-050-288-101)	1	SP	
25	206-050-107-027	. . CROSS TUBE ASSY, AFT (PRE A.S.B. 206-94-78) (REPLACED BY 206-050-107-121)	1	NP	
25	206-050-107-121	. . CROSS TUBE ASSY, AFT (PRE A.S.B. 206-94-78) (REPLACES 206-050-107-027)	1	NP	
25	206-050-288-103	. . CROSS TUBE ASSY, AFT (POST A.S.B. 206-94-78 S/N 4-4293) (REPLACED BY 206-321-028)	1	NP	

(1) INDEX NUMBER	(2) PART NUMBER	(3) ITEM NAME	(4) UNIT PER ASSY	(5) A V A I L	(6) U O C
Figure 32-3. Kit, High Skid Gear and Support Installation					
25	206-050-288-103	.. CROSS TUBE ASSY, AFT (USBL ON 206-050-289-101 AND -103) (REPLACED BY 206-321-028)	1	NP	
25	206-321-028	.. CROSS TUBE ASSY, AFT (SEE FIG. 6 FOR BREAKDOWN) (REPLACES 206-050-288-103)	1	SP	
26	CR4623CW-6	.. RIVET (USBL ON 206-050-288-101, -103)	4	P	
27	CR4622CW-6	.. RIVET (USBL ON 206-050-288-101, -103)	4	P	
28	206-053-200-101	.. STRAP ASSY (USBL ON 206-050-288-101, -103)	2	SP	
29	206-050-301-103	.. STRIP, ABRASION (USBL ON 206-050-288-101)	2	SP	
29	206-050-301-105	.. STRIP, ABRASION (USBL ON 206-050-288-103)	2	SP	
30	M7885/2-4	.. RIVET	4	P	
31	206-050-303-101	.. CLIP (USBL ON 206-050-288-101)	2	P	
32	206-050-303-103	.. CLIP (USBL ON 206-050-288-103)	2		
33	M7885/7-4	.. RIVET (USBL ON 206-050-288-101)	30	P	
34	206-050-121-001	.. PLATE ASSY (USBL ON 206-050-288-101) (REPLACED BY 601- 023-107)	4	SP	
34	601-023-107	.. PLATE ASSY (REPLACES 206-050-121-001)	4	SP	
35	NAS1067A5	.. NUTPLATE (USBL ON 206-050-121-001) (REPLACED BY MS21086L5)	2	P	
35	MS21086L5	.. NUTPLATE (REPLACES NAS1067A5)	2	SP	
35	MS21069L5	.. NUTPLATE (USBL ON 601-023-107)	2	SP	
36	206-050-121-003	.. PLATE ASSY (USBL ON 206-050-288-101) (REPLACED BY 601- 023-109)	2	SP	
36	601-023-109	.. PLATE ASSY (REPLACES 206-050-121-003)	2	SP	
37	NAS1067A5	.. NUTPLATE (USBL ON 206-050-121-003) (REPLACED BY MS21086L5)	3	P	
37	MS21086L5	.. NUTPLATE (REPLACES NAS1067A5)	3	SP	
37	MS21069L5	.. NUTPLATE (USBL ON 601-023-109)	3	SP	
38	206-050-121-005	.. PLATE ASSY (USBL ON 206-050-288-101) (REPLACED BY 601- 023-111)	2	SP	
38	601-023-111	.. PLATE ASSY (REPLACES 206-050-121-005)	2	SP	
39	NAS1067A5	.. NUTPLATE (USBL ON 206-050-121-005) (REPLACED BY MS21086L5)	2	P	
39	MS21086L5	.. NUTPLATE (REPLACES NAS1067A5)	2	SP	
39	MS21069L5	.. NUTPLATE (USBL ON 601-023-111)	2	SP	
40	206-050-107-123	.. SKID TUBE ASSY, LH (NOTE 2) (USBL ON 206-050-107-103) ..	1	NP	
40	206-050-297-101	.. SKID TUBE ASSY, LH (NOTE 2) (USBL ON 206-050-289-101) (REPLACED BY 206-050-297-105)	1	NP	
40	206-050-297-105	.. SKID TUBE ASSY, LH (USBL ON 206-050-289-103) (REPLACES 206-050-297-101) (REPLACED BY 206-321-251)	1	NP	
40	206-321-251	.. SKID TUBE ASSY (NOTE 7) (SEE FIG. 6 FOR BREAKDOWN) (REPLACES 206-050-297-105)	1	SP	
41	206-050-107-124	.. SKID TUBE ASSY, RH (NOTE 2) (USBL ON 206-050-107-103) ..	1	NP	
41	206-050-297-102	.. SKID TUBE ASSY, RH (NOTE 2) (USBL ON 206-050-289-101) (REPLACED BY 206-050-297-106)	1	NP	
41	206-050-297-106	.. SKID TUBE ASSY, RH (USBL ON 206-050-289-103) (REPLACES 206-050-297-102) (REPLACED BY 206-321-252)	1	NP	
41	206-321-252	.. SKID TUBE ASSY (NOTE 7) (SEE FIG. 6 FOR BREAKDOWN) (REPLACES 206-050-297-106)	1	SP	
42	206-050-133-011	.. TOW RING INSTL (USBL ON 206-050-297-ALL)	1	NP	
42	MS27039-4-11	.. SCREW	1	SP	
43	AN960PD416L	.. WASHER (REPLACED BY NAS1149D0416J)	1	NP	
43	NAS1149D0416J	.. WASHER (REPLACES AN960PD416L)	1	SP	
44	500-25	.. WASHER, SPRING (REPLACED BY B0750-040)	1	NP	
44	B0750-040	.. WASHER, SPRING (REPLACES 500-25)	1	SP	
45	NAS43DD4-11	.. SPACER	1	SP	
46	M7885/3-4-05	.. RIVET	2	SP	
47	M7885/3-4-04	.. RIVET	6	SP	
48	206-050-133-005	.. COVER	1	P	

(1) INDEX NUMBER	(2) PART NUMBER	(3) ITEM NAME	(4) UNIT PER ASSY	(5) A V A I L	(6) U O C
Figure 32-3. Kit, High Skid Gear and Support Installation					
49	NAS697A4	... NUTPLATE (REPLACED BY MS21069L4) ...	1	P	
49	MS21069L4	... NUTPLATE ...	1	SP	
50	206-050-133-009	... STIFFENER ...	1	SP	
51	206-050-133-007	... RING (NOTE 10) (REPLACED BY 601-013-001) ...	1	SP	
51	601-013-001	... RING (REPLACES 206-050-133-007) ...	1	SP	
52	206-050-133-003	... CLIP, LH (REPLACED BY 601-021-003) ...	1	SP	
52	601-021-003	... CLIP (REPLACES 206-050-133-003) ...	1	SP	
53	206-050-133-004	... CLIP, RH (REPLACED BY 601-021-004) ...	1	SP	
53	601-021-004	... CLIP (REPLACES 206-050-133-004) ...	1	SP	
54	MS27039-1-08	... SCREW (USBL ON 206-050-297-ALL) ...	4	SP	
55	AN960-10L	... WASHER (USBL ON 206-050-297-ALL) (REPLACED BY NAS1149F0332P) ...	4	P	
55	NAS1149F0332P	... WASHER (REPLACES AN960-10L) ...	4	SP	
56	206-050-129-001	... SHOE ASSY, FWD (REPLACED BY 601-015-303) ...	1	SP	
56	601-015-303	... SHOE ASSY, FWD (REPLACES 206-050-129-001) ...	1	SP	
57	BN360-1032-1	... NUT ASSY (USBL ON 206-050-297-ALL) ...	4	SP	
58	MS27039-1-08	... SCREW (USBL ON 206-050-297-ALL) ...	16	SP	
59	MS27039-1-08	... SCREW (USBL ON 206-050-297-105 AND -106) ...	4	SP	
60	AN960-10L	... WASHER (USBL ON 206-050-297-ALL) (REPLACED BY NAS1149F0332P) ...	16	P	
60	NAS1149F0332P	... WASHER (REPLACES AN960-10L) ...	16	SP	
61	NAS1149F0332P	... WASHER (USBL ON 206-050-297-105 AND -106) ...	4	SP	
62	206-050-128-001	... SHOE ASSY, AFT (USBL ON 206-050-297-101, -102, -105 AND - 106) (REPLACED BY 601-015-301) ...	4	SP	
62	601-015-301	... SHOE ASSY, MID (REPLACES 206-050-128-001) ...	4	SP	
63	206-050-128-001	... SHOE ASSY, AFT (USBL ON 206-050-297-105 AND -106) (REPLACED BY 601-015-301) ...	1	SP	
63	601-015-301	... SHOE ASSY, MID (REPLACES 206-050-128-001) ...	1	SP	
64	BN360-1032-1	... NUT ASSY (USBL ON 206-050-297-ALL) ...	16	SP	
65	BN360-1032-1	... NUT ASSY (USBL ON 206-050-297-105 AND -106) ...	4	SP	
66	MS20426AD3	... RIVET (USBL ON 206-050-107-029, -030, -101, -102, -105, -106, - 123 AND -124) ...	4	NP	
67	MS20470AD5	... RIVET (USBL ON 206-050-107-029, -030, -101, -102, -105, -106, - 123 AND -124) ...	8	P	
68	MS90354-08	... RIVET (USBL ON 206-050-107-029, -030, -101, -102, -105, -106, - 123 AND -124) ...	4	P	
69	MS20600MP8W	... RIVET (USBL ON 206-050-107-029, -030, -101, -102, -105, -106, - 123 AND -124) ...	18		
70	MS90354U08	... RIVET (USBL ON 206-050-297-101, -102, -105 AND -106) ... (ALTERNATE PART)	20	SP	
70	NAS1669-4DL	... RIVET (NOTE 8) ...	20	SP	
71	206-050-120-001	... SADDLE, HALF, LH, FWD (NOTE 3) (USBL ON 205-050-107-029, -030, -101, -102, -105, -106, -123 AND -124) ...	1	NP	
72	206-050-120-003	... SADDLE, HALF, RH, FWD (NOTE 3) (USBL ON 206-050-107-029, -030, -101, -102, -105, -106, -123 AND -124) ...	1	NP	
73	206-050-244-101	... SADDLE, FWD (NOTE 3) (USBL ON 206-050-297-101, -102, -105 AND -106) (REPLACED BY 601-007-200) ...	1	P	
73	601-007-200	... SADDLE (REPLACES 206-050-244-101) ...	1	P	
74	MS90354U08	... RIVET (USBL ON 206-050-297-101, -102, -105 AND -106) ... (ALTERNATE PART)	20	SP	
74	NAS1669-4DL	... RIVET (NOTE 8) ...	20	SP	
75	206-050-299-101	... SADDLE, AFT (POST A.S.B. 206-94-78 S/N 4-4293) (REPLACED BY 601-007-206) ...	1		
75	601-007-206	... SADDLE (REPLACES 206-050-299-101) ...	1	P	
75	206-050-299-101	... SADDLE, AFT (USBL ON 206-050-297-101, -102, -105 AND -106) (REPLACED BY 601-007-206) ...	1		
75	601-007-206	... SADDLE (REPLACES 206-050-299-101) ...	1	P	

(1) INDEX NUMBER	(2) PART NUMBER	(3) ITEM NAME	(4) UNIT PER ASSY	(5) A V A I L	(6) U O C
Figure 32-3. Kit, High Skid Gear and Support Installation					
76	NAS679A6	... NUT (USBL ON 206-050-107-029, -030, -101, -102, -105, -106, -123 AND -124) (REPLACED BY MS21042L6)	1	P	
76	MS21042L6	... NUT (REPLACES NAS679A6)	1	SP	
77	AN960-616	... WASHER (USBL ON 206-050-297-ALL) (REPLACED BY NAS1149F0663P)	2	SP	
77	NAS1149F0663P	... WASHER (REPLACES AN960-616)	2	SP	
78	NAS43HT6-26	... SPACER (USBL ON 206-050-107-105, -106, -123 AND -124, 206-050-297-101, -102, -105 AND -106)	1	SP	
79	NAS43HT6-26	... SPACER (NOTE 6) (USBL ON 206-050-107-029, -030, -101 AND -102)	2	SP	
80	AN6-44A	... BOLT (USBL ON 206-050-297-ALL AND 206-050-107-029, -030, -101, -102, -105, -106, -123, -124)	1	SP	
81	NAS43HT6-222	... SPACER (USBL ON 206-050-107-105, -106, -123 AND -124, 206-050-297-101, -102, -105 AND -106)	1	SP	
82	NAS1738B5	... RIVET (USBL ON 206-050-107-029, -030, -101, -102, -105, -106, -123 AND -124) (REPLACED BY M7885/6-5)	8	P	
82	M7885/6-5	... RIVET (REPLACES NAS1738B5)	8	NP	
83	M7885/7-5	... RIVET (USBL ON 206-050-297-101, -102, -105 AND -106)	12	NP	
84	NAS1739MW5	... RIVET (USBL ON 206-050-107-105, 106, -123 AND -124)	4	P	
85	206-050-118-017	... DOUBLER, OUTBOARD (USBL ON 206-050-107-029, -030, -101, -102, -105, -106, -123 AND -124)	1	P	
85	206-050-302-105	... DOUBLER, OUTBOARD (USBL ON 206-050-297-101, -102, -105 AND -106)	1	SP	
86	206-050-118-059	... DOUBLER, INBOARD (USBL ON 206-050-107-105, -106, -123 AND -124)	1	SP	
86	206-050-302-103	... DOUBLER, INBOARD (USBL ON 206-050-297-101, -102, -105 AND -106)	1	SP	
87	206-050-130-001	... BOLT (USBL ON 206-050-107-029, -030, -101, -102, -105, -106, -123 AND -124, 206-050-297-101, -102, -105 AND -106) (REPLACED BY 601-011-007)	1	SP	
87	601-011-007	... BOLT (USBL ON 206-050-297-105 AND -106) (REPLACES 206-050-130-001)	1	SP	
88	AN960-616	... WASHER (USBL ON 206-050-297-ALL) (REPLACED BY NAS1149F0663P)	1	SP	
88	NAS1149F0663P	... WASHER (REPLACES AN960-616)	1	SP	
89	NAS43HT6-20	... SPACER (USBL ON 206-050-297-ALL)	1	SP	
90	206-050-118-017	... DOUBLER (USBL ON 206-050-107-029, -030, -101, -102, -105, -106, -123 AND -124)	1	P	
90	206-050-302-109	... DOUBLER (USBL ON 206-050-297-101, 102, -105 AND -106)	1		
91	206-050-254-101	... PLUG ASSY (USBL ON 206-050-297-101, -102, -105 AND -106)	1	SP	
92	206-050-004-001	... PLUG ASSY (REPLACED BY 601-019-001)	1	P	
92	601-019-001	... PLUG ASSY (REPLACES 206-050-004-001)	1	P	
93	206-050-132-001	... DOUBLER ASSY (USBL ON 206-050-297-ALL)	1	SP	
94	NAS686C6	... NUTPLATE (REPLACED BY MS21060-6)	1	P	
94	MS21060-6	... NUTPLATE (REPLACES NAS686C6)	1	SP	
95	206-050-285-101	... RETAINER (USBL ON 206-050-107-123 AND -124, 206-050-297-101, -102, -105 AND -106)	1	SP	
96	206-050-131-001	... RECEPACLE (USBL ON 206-050-107-029, -030, -101, -102, -105 AND -106)	1	SP	
97	NAS1739B5	... RIVET (USBL ON 206-050-107-029, -030, -101, -102, -125, -106, -123 AND -124)	2	P	
97	M7885/7-5	... RIVET (USBL ON 206-050-297-101, -102, -105 AND -106)	2	NP	
97	206-050-297-103	... TUBE ASSY (USBL ON 206-050-297-101, -102, -105 AND -106)	1	NP	
98	206-050-302-101	... DOUBLER	2	P	
99	NAS1738B4	... RIVET (USBL ON 206-050-107-029, -030, -101, -102, -105, -106, -123 AND -124) (REPLACED BY M7885/6-4)	24	P	
99	M7885/6-4	... RIVET (REPLACES NAS1738B4)	24	NP	

(1) INDEX NUMBER	(2) PART NUMBER	(3) ITEM NAME	(4) UNIT PER ASSY	(5) A V A I L	(6) U O C
		Figure 32-3. Kit, High Skid Gear and Support Installation			
	206-031-586-001	. SPACER INSTL (USBL ON 206-706-031-001, -101, -103, -105, -107 AND -109)	2	NP	
100	AN4-7A	. . . BOLT	4	SP	
101	AN960PD416	. . . WASHER (REPLACED BY NAS1149D0463J)	4	NP	
101	NAS1149D0463J	. . . WASHER (REPLACES AN960PD416)	4	SP	
102	AN4-6A	. . . BOLT	4	SP	
103	AN960PD416	. . . WASHER (REPLACED BY NAS1149D0463J)	4	NP	
103	NAS1149D0463J	. . . WASHER (REPLACES AN960PD416)	4	SP	
104	206-031-586-003	. . . SPACER ASSY	1	SP	
105	NAS698A4	. . . NUTPLATE (REPLACED BY MS21073L4)	4	P	
105	MS21073L4	. . . NUTPLATE (REPLACES NAS698A4)	4	SP	
	206-030-132-003	. FITTING INSTL, LH	REF	NP	
	206-030-132-004	. FITTING INSTL, RH	REF	NP	
106	206-030-104-001	. . . FITTING ASSY	1	SP	
107	NAS1067A4	. . . NUTPLATE (REPLACED BY 90-070-4-2)	2	P	E
107	90-070-4-2	. . . NUTPLATE (REPLACES NAS1067A4)	2	SP	F
	206-020-113-005	FIN ASSY (S/N 4 THRU 413) (REPLACED BY 206-020-113-225)	REF		
	206-020-113-007	FIN ASSY (S/N 414 THRU 583) (REPLACED BY 206-020-113-225)	REF	NP	
	206-020-113-009	FIN ASSY (S/N 584 THRU 865) (REPLACED BY 206-020-113-103)	REF	NP	
	206-020-113-107	FIN ASSY (S/N 866) (REPLACED BY 206-020-113-103)	REF	NP	
	206-020-113-103	FIN ASSY (S/N 1164 THRU 1251) (REPLACES 206-020-113-009 AND -107) (REPLACED BY 206-020-113-131)	REF	NP	
	206-020-113-131	FIN ASSY (S/N 584 THRU 1251) (REPLACES 206-020-113-009, -107 AND -103) (REPLACED BY 206-020-113-225) (REPLACED BY 206-020-113-163)	REF	NP	
	206-020-113-163	FIN ASSY (S/N 584 THRU 1251) (REPLACES 206-020-113-131)	REF	NP	
	206-020-113-225	FIN ASSY (S/N 4 THRU 1251) (REPLACES 206-020-113-005, -007, -009, -107, -103 AND -131) (REPLACED BY 206-020-113-235)	REF	NP	
	206-020-113-235	FIN ASSY (S/N 4 THRU 1251) (REPLACES 206-020-113-225)	REF	P	
	206-020-113-011	FIN ASSY (S/N 1252 THRU 3216) (REPLACED BY 206-020-113-207)	REF	NP	
	206-020-113-127	FIN ASSY (S/N 3217 THRU SUB) (REPLACED BY 206-020-113-207)	REF	NP	
	206-020-113-207	FIN ASSY (S/N 1252 THRU SUB) (REPLACES 206-020-113-009, -011, -127) (REPLACED BY 206-020-113-247)	REF	NP	
	206-020-113-247	FIN ASSY (S/N 1252 THRU SUB) (REPLACES 206-020-113-009, -011, -127 AND -207)	REF	NP	
108	206-020-113-ALL	FIN ASSY	REF		ABC
109	MS171655	. . . PIN (REPLACED BY NAS561C8-18)	1	P	
109	NAS561C8-18	. . . PIN (REPLACES MS171655)	1	SP	
110	206-020-110-005	. . . SKID ASSY	1	SP	
111	206-020-109-001	. . . FITTING	1	SP	Q
112	206-020-113-027	. . . BUMPER	1	SP	Q
	206-031-301-019	SUPPORT INSTL, CROSS TUBE, AFT (SEE CHAP. 53 FOR BREAKDOWN)	REF	NP	D
	206-031-301-029	SUPPORT INSTL, CROSS TUBE, AFT (SEE CHAP. 53 FOR BREAKDOWN)	REF	NP	L
	206-031-301-101	SUPPORT INSTL, CROSS TUBE, AFT (SEE CHAP. 53 FOR BREAKDOWN)	REF	NP	M
	206-031-301-111	SUPPORT INSTL, CROSS TUBE, AFT (SEE CHAP. 53 FOR BREAKDOWN)	REF	NP	N
113	NAS1054-5-5	. . . PIN	10	SP	
114	NAS528A5	. . . COLLAR (REPLACED BY NAS528-A5)	10	P	
114	NAS528-A5	. . . COLLAR (REPLACES NAS528A5)	10	SP	
115	206-031-311-001	. . . FITTING	2		
116	206-030-330-001	. . . PLATE	2	NP	
	206-706-070-005	KIT, ADF PROVISIONS	REF		BB
	206-705-008-111	KIT, AVIONICS	REF	P	U
	206-705-008-133	KIT, AVIONICS	REF	P	V
	206-705-008-137	KIT, AVIONICS	REF	P	X

(1) INDEX NUMBER	(2) PART NUMBER	(3) ITEM NAME	(4) UNIT PER ASSY	(5) A V A I L	(6) U O C
Figure 32-3. Kit, High Skid Gear and Support Installation					
	206-705-008-159	KIT, AVIONICS	REF	P	T
	206-705-008-161	KIT, AVIONICS	REF	P	RW
	206-705-008-163	KIT, AVIONICS	REF	P	R
	206-705-008-167	KIT, AVIONICS	REF	NP	W
	206-075-510-137	ELECTRICAL INSTL	REF	NP	AA
117	MS21042L3	. NUT, SELF-LOCKING	REF	SP	EF
118	MS35338-43	. WASHER, LOCK	REF	SP	EF
119	AN960D10L	. WASHER (REPLACED BY NAS1149D0316H)	REF	P	BB
119	NAS1149D0316H	. WASHER (REPLACES AN960D01L)	REF	SP	BB
120	AN960D10L	. WASHER (REPLACED BY NAS1149D0316H)	REF	P	UVR
					W
120	NAS1149D0316H	. WASHER (REPLACES AN960D10L)	REF	SP	UVR
					W
120	NAS1149D0316H	. WASHER	REF	SP	AA
121	MS27039-1-08	. SCREW	REF	SP	EF
122	206-031-637-101	. WASHER, FWD (NOTE 9)	REF	SP	WAA
123	120-055-1-16	. BONDING STRIP, FWD	REF	SP	Y
123	120-172-4-008	. JUMPER ASSY, FWD	REF	SP	AA
124	120-055-1-12	. BONDING STRIP, AFT (6 IN)	REF	SP	Z
124	120-055-1-4	. BONDING STRIP, AFT (2 IN)	REF	SP	TRW
124	120-172-4-002	. JUMPER ASSY, AFT	REF	SP	AA
NOTE 1: USED WITH THE TWO-PIECE SHEET METAL SADDLES PN 206-050-120.					
NOTE 2: FOR SPARES REPLACEMENT OF 206-050-107 USE 206- 050-297-105 AND -106 RESPECTIVELY. 206-050-107 SKID TUBES MAY BE UPGRADED BY COMPLYING WITH A.S.B. 206-94-78					
NOTE 3: FOR SPARES REPLACEMENT OF 206-050-120-001 AND - 003 AS A UNIT USE 206-050-244-101.					
NOTE 4: REPLACE 206-050-122-001 STRAP ASSY AND AN4-6A BOLTS (4) AS A UNIT USING 206-050-105-029 STRAP ASSY AND AN4-10A BOLTS (4).					
NOTE 5: REPLACE 206-050-123-001 STRAP ASSY AND AN4-5A BOLTS (4) AS A UNIT USING 206-050-242-001 STRAP ASSY AND AN4-7A BOLTS (4). REPLACE 206-050-242-001 STRAP ASSY AND AN4-7A BOLTS (4) AS A UNIT USING 206-050-242-101 STRAP ASSY AND AN4-10A BOLTS (4).					
NOTE 6: OLDER SKID TUBES THAT DO NOT HAVE THE LONGER SPACER (222) MAY BE UPGRADED BY ACCOMPLISHING TB 206-78-9.					
NOTE 7: A 206-050-107 OR A 206-050-297 SKID TUBE ASSY MAY NOT BE USED WITH A 206-321-251 OR -252 SKID TUBE ASSY.					
NOTE 8: REFER TO ASB 206-94-78 FOR INSTALLATION INSTRUCTION.					

(1) INDEX NUMBER	(2) PART NUMBER	(3) ITEM NAME	(4) UNIT PER ASSY	(5) A V A I L	(6) U O C																																																																																	
		<p>Figure 32-3. Kit, High Skid Gear and Support Installation</p>																																																																																				
		<p>NOTE 9: INSTALL ON FWD BONDING STRIP ONLY. ENSURE PROTRUDING BELLY INSERT SITS IN RECESS OF WASHER.</p>																																																																																				
		<p>NOTE 10: TOW RINGS ARE DELIVERED WITH LOOSE EQUIPEMENT (SEE FIG. 10-2)</p>																																																																																				
		<p>USABLE ON CODES</p> <table border="1"> <thead> <tr> <th>CODE</th> <th>MODEL</th> <th>SERIAL NUMBER</th> </tr> </thead> <tbody> <tr><td>A</td><td>206A/B</td><td>4-2488</td></tr> <tr><td>AA</td><td>206B</td><td>4587-SUB</td></tr> <tr><td>B</td><td>206B</td><td>2489-3121</td></tr> <tr><td>BB</td><td>206B</td><td>1564-3216</td></tr> <tr><td>C</td><td>206B</td><td>3122-SUB</td></tr> <tr><td>D</td><td>206A</td><td>4-103</td></tr> <tr><td>E</td><td>206B</td><td>1564-4260</td></tr> <tr><td>F</td><td>206B</td><td>4261-SUB</td></tr> <tr><td>G</td><td>206A/B</td><td>584-SUB</td></tr> <tr><td>H</td><td>206B</td><td>3217-4004</td></tr> <tr><td>J</td><td>206B</td><td>4005-4523</td></tr> <tr><td>K</td><td>206B</td><td>4524-SUB</td></tr> <tr><td>L</td><td>206A/B</td><td>104-4359</td></tr> <tr><td>M</td><td>206B</td><td>4360-4462</td></tr> <tr><td>N</td><td>206B</td><td>4463-SUB</td></tr> <tr><td>P</td><td>206A</td><td>4-583</td></tr> <tr><td>Q</td><td>206A/B</td><td>4-3216</td></tr> <tr><td>R</td><td>206B</td><td>4360-4514</td></tr> <tr><td>S</td><td>206B</td><td>1564-4294</td></tr> <tr><td>T</td><td>206B</td><td>4311-4359</td></tr> <tr><td>U</td><td>206B</td><td>3217-3566</td></tr> <tr><td>V</td><td>206B</td><td>3567-4359</td></tr> <tr><td>W</td><td>206B</td><td>4515-4586</td></tr> <tr><td>X</td><td>206B</td><td>4012-4310</td></tr> <tr><td>Y</td><td>206B</td><td>4295-4586</td></tr> <tr><td>Z</td><td>206B</td><td>1564-4310</td></tr> </tbody> </table>	CODE	MODEL	SERIAL NUMBER	A	206A/B	4-2488	AA	206B	4587-SUB	B	206B	2489-3121	BB	206B	1564-3216	C	206B	3122-SUB	D	206A	4-103	E	206B	1564-4260	F	206B	4261-SUB	G	206A/B	584-SUB	H	206B	3217-4004	J	206B	4005-4523	K	206B	4524-SUB	L	206A/B	104-4359	M	206B	4360-4462	N	206B	4463-SUB	P	206A	4-583	Q	206A/B	4-3216	R	206B	4360-4514	S	206B	1564-4294	T	206B	4311-4359	U	206B	3217-3566	V	206B	3567-4359	W	206B	4515-4586	X	206B	4012-4310	Y	206B	4295-4586	Z	206B	1564-4310			
CODE	MODEL	SERIAL NUMBER																																																																																				
A	206A/B	4-2488																																																																																				
AA	206B	4587-SUB																																																																																				
B	206B	2489-3121																																																																																				
BB	206B	1564-3216																																																																																				
C	206B	3122-SUB																																																																																				
D	206A	4-103																																																																																				
E	206B	1564-4260																																																																																				
F	206B	4261-SUB																																																																																				
G	206A/B	584-SUB																																																																																				
H	206B	3217-4004																																																																																				
J	206B	4005-4523																																																																																				
K	206B	4524-SUB																																																																																				
L	206A/B	104-4359																																																																																				
M	206B	4360-4462																																																																																				
N	206B	4463-SUB																																																																																				
P	206A	4-583																																																																																				
Q	206A/B	4-3216																																																																																				
R	206B	4360-4514																																																																																				
S	206B	1564-4294																																																																																				
T	206B	4311-4359																																																																																				
U	206B	3217-3566																																																																																				
V	206B	3567-4359																																																																																				
W	206B	4515-4586																																																																																				
X	206B	4012-4310																																																																																				
Y	206B	4295-4586																																																																																				
Z	206B	1564-4310																																																																																				
		<p>1) UNLESS A (USBL ON...) NOTATION IN BRACKETS IS LISTED AFTER THE ITEM NAME IN COLUMN 3, NO CODE IN THE UOC COLUMN (COL.6) INDICATES THE PART APPLIES TO ALL SERIAL NUMBERS.</p>																																																																																				
		<p>2) IF THE SERIAL NUMBER COLUMN OF THE USABLE ON CODES TABLE IS BLANK, THE PART OR ASSEMBLY APPLIES TO ALL SERIAL NUMBERS OF THE RELATED MODEL.</p>																																																																																				

(1) INDEX NUMBER	(2) PART NUMBER	(3) ITEM NAME	(4) UNIT PER ASSY	(5) A V A I L	(6) U O C
		<p>Figure 32-3. Kit, High Skid Gear and Support Installation</p> <p>AVAIL CODE DEFINITION</p> <p>P Procurable</p> <p>NP Non Procurable</p> <p>SP Normal stock/procurable</p> <p>Please see Chapter 1 for additional information on availability codes as well as general use of the Illustrated Parts Breakdown manual.</p>			

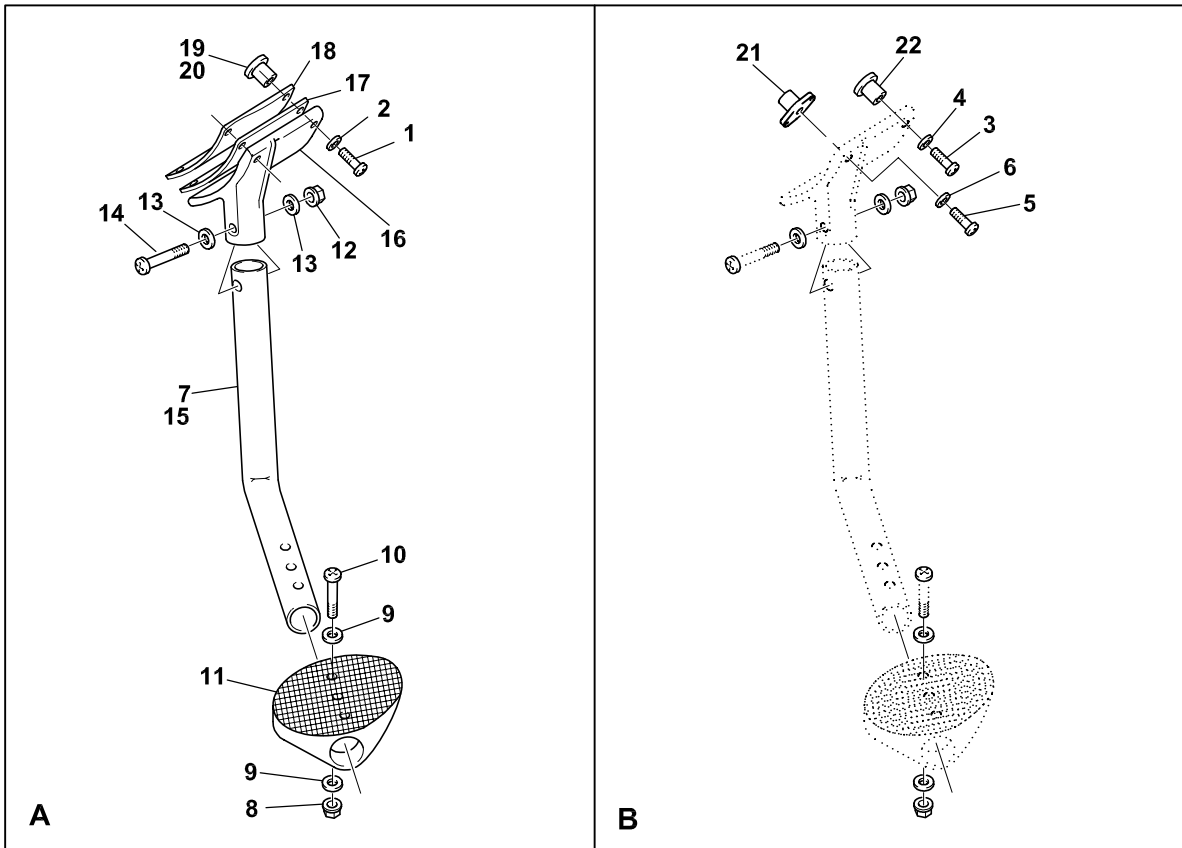
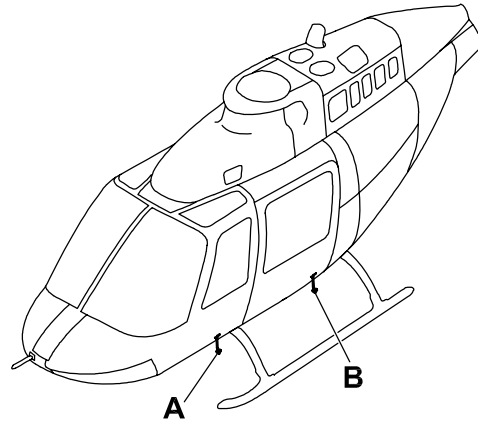


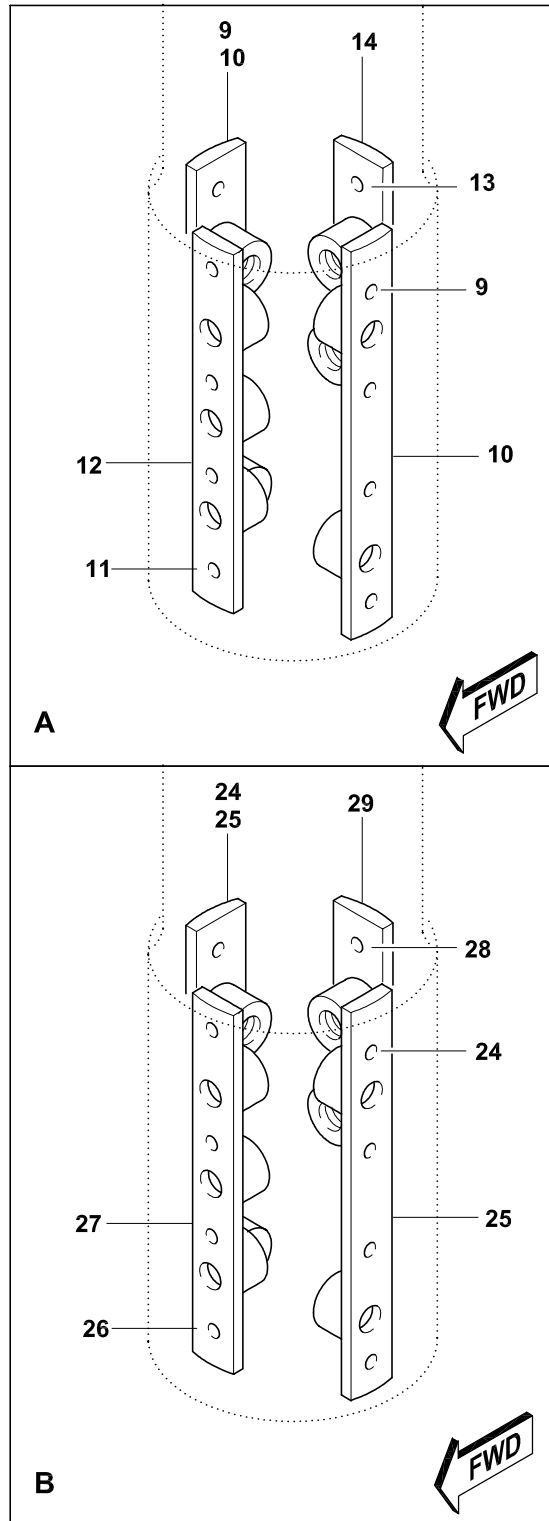
Figure 32-4. Cabin Step Installation, High Skid Gear

206AB_IPB_32_0010

(1) INDEX NUMBER	(2) PART NUMBER	(3) ITEM NAME	(4) UNIT PER ASSY	(5) A V A I L	(6) U O C
		Figure 32-4. Cabin Step Installation, High Skid Gear			
	206-031-370-001	STEP INSTL, FWD, LH (SEE FIG. 3 FOR NHA)	REF	NP	C
	206-031-370-009	STEP INSTL, FWD, LH (SEE FIG. 3 FOR NHA)	REF	NP	D
	206-031-370-002	STEP INSTL, FWD, RH (SEE FIG. 3 FOR NHA)	REF	NP	C
	206-031-370-010	STEP INSTL, FWD, RH (SEE FIG. 3 FOR NHA)	REF	NP	D
	206-031-370-003	STEP INSTL, AFT, LH (SEE FIG. 3 FOR NHA)	REF	NP	CD
	206-031-370-004	STEP INSTL, AFT, RH (SEE FIG. 3 FOR NHA)	REF	NP	CD
1	MS27039-4-13	. . . SCREW (USBL ON 206-031-370-001, -002, -009 AND -010)	4	SP	
2	AN960D416	. . . WASHER (USBL ON 206-031-370-001, -002, -009 AND -010) (REPLACED BY NAS1149D0463H)	4	P	
2	NAS1149D0463H	. . . WASHER (REPLACES AN960D416)	4	SP	
3	MS27039-4-13	. . . SCREW (USBL ON 206-031-370-003 AND -004)	2	SP	
4	AN960D416	. . . WASHER (USBL ON 206-031-370-003 AND -004) (REPLACED BY NAS1149D0463H)	2	P	
4	NAS1149D0463H	. . . WASHER (REPLACES AN960D416)	2	SP	
5	MS27039-4-15	. . . SCREW (USBL ON 206-031-370-003 AND -004)	2	SP	
6	AN960D416	. . . WASHER (USBL ON 206-031-370-003 AND -004) (REPLACED BY NAS1149D0463H)	2	P	
6	NAS1149D0463H	. . . WASHER (REPLACES AN960D416)	2	SP	
7	206-031-370-005	. . . STEP ASSY, FWD, LH (USBL ON 206-031-370-001 AND -009)	1	SP	
7	206-031-370-006	. . . STEP ASSY, FWD, RH (USBL ON 206-031-370-002 AND -010)	1	SP	
7	206-031-370-007	. . . STEP ASSY, AFT, LH (USBL ON 206-031-370-003)	1	SP	
7	206-031-370-008	. . . STEP ASSY, AFT, RH (USBL ON 206-031-370-004)	1	SP	
8	MS21042L3	. . . NUT, SELF-LOCKING	3	SP	
9	AN960PD10L	. . . WASHER (REPLACED BY NAS1149D0316J)	6	P	
9	NAS1149D0316J	. . . WASHER (REPLACES AN960PD10L)	6	SP	
10	MS27039-1-24	. . . SCREW	3	SP	
11	206-031-375-001	. . . STEP PAD, LH (USBL ON 206-031-370-005 AND -007) (REPLACED BY 206-031-277-101)	1	NP	
11	206-031-277-101	. . . STEP PAD, LH (USBL ON 206-031-370-005 AND -007) (REPLACES 206-031-375-001)	1	SP	
11	206-031-375-002	. . . STEP PAD, RH (USBL ON 206-031-370-006 AND -008) (REPLACED BY 206-031-277-102)	1	NP	
11	206-031-277-102	. . . STEP PAD, RH (USBL ON 206-031-370-006 AND -008) (REPLACES 206-031-375-002)	1	SP	
12	MS21042L4	. . . NUT	1	SP	
13	AN960PD416L	. . . WASHER (REPLACED BY NAS1149D0416J)	2	NP	
13	NAS1149D0416J	. . . WASHER (REPLACES AN960PD416L)	2	SP	
14	MS27039-4-31	. . . SCREW	1	SP	
15	206-031-370-015	. . . SUPPORT, LH (USBL ON 206-031-370-005 AND -007)	1	SP	
15	206-031-370-016	. . . SUPPORT, RH (USBL ON 206-031-370-006 AND -008)	1	SP	
16	206-031-369-001	. . . FITTING, LH (USBL ON 206-031-370-005 AND -007) (REPLACED BY 206-031-276-101)	1	NP	
16	206-031-276-101	. . . FITTING, LH (USBL ON 206-031-370-005 AND -007) (REPLACES 206-031-369-001)	1	SP	
16	206-031-369-002	. . . FITTING, RH (USBL ON 206-031-370-006 AND -008) (REPLACED BY 206-031-276-102)	1	NP	
16	206-031-276-102	. . . FITTING, RH (USBL ON 206-031-370-006 AND -008) (REPLACES 206-031-369-002)	1	SP	
17	206-031-370-017	. . . DOUBLER, OUTBOARD (USBL ON 206-031-370-001 AND -002)	1	SP	
18	206-031-370-018	. . . DOUBLER, INBOARD (USBL ON 206-031-370-001 AND -002)	1	SP	
19	1854	. . . INSERT (REPLACED BY 80-007-16-4A)	4	NP	
	206-031-100-011	SHELL ASSY, FWD (S/N 4 THRU 103)	REF		
	206-031-100-015	SHELL ASSY, FWD (S/N 104 THRU 153, 204 THRU 253) (REPLACED BY 206-031-100-251)	REF	NP	
	206-031-100-251	SHELL ASSY, FWD (S/N 154 THRU 203, 254 THRU 353, 414 THRU 913) (REPLACES 206-031-100-015)	REF	NP	
	206-031-100-211	SHELL ASSY, FWD (S/N 354 THRU 413)	REF		
	206-031-100-281	SHELL ASSY, FWD (S/N 914 THRU 3216)	REF	P	

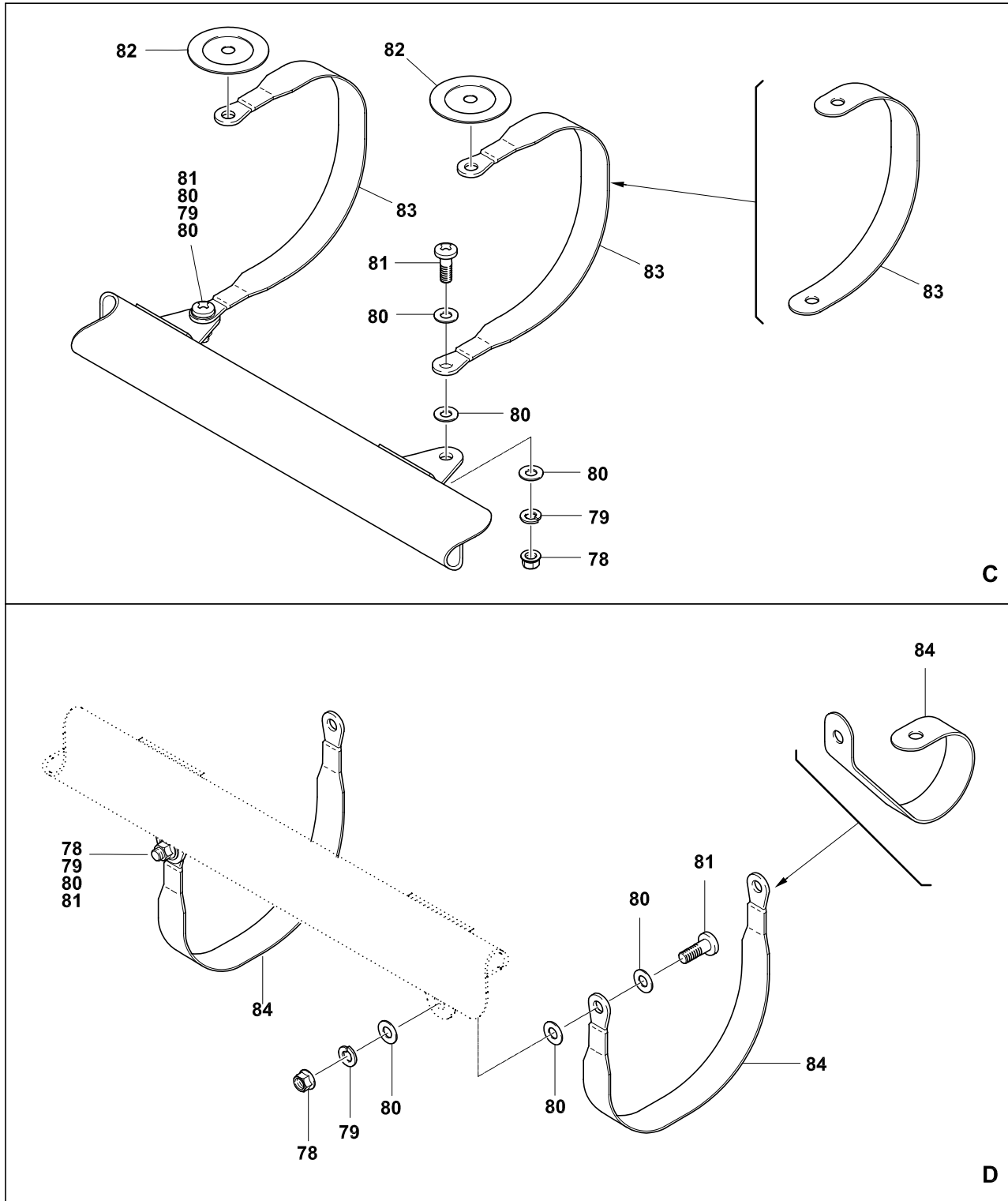
(1) INDEX NUMBER	(2) PART NUMBER	(3) ITEM NAME	(4) UNIT PER ASSY	(5) A V A I L	(6) U O C
		Figure 32-4. Cabin Step Installation, High Skid Gear			
	206-031-100-333	SHELL ASSY, FWD (S/N 3217 THRU 3566)	REF	P	
	206-031-100-393	SHELL ASSY, FWD (S/N 3567 THRU 4359)	REF		
	206-031-100-407	SHELL ASSY, FWD (S/N 4360 THRU 4421)	REF	P	
	206-031-100-417	SHELL ASSY, FWD (S/N 4422 THRU SUB)	REF		
20	80-007-16-4A	INSERT (REPLACES 1854)	8	SP	
	206-031-100-009	SHELL ASSY, LOWER (S/N 4 THRU 103)	REF		
	206-031-100-017	SHELL ASSY, LOWER (S/N 104 THRU 153, 204 THRU 253)	REF	NP	
	206-031-100-209	SHELL ASSY, LOWER (S/N 354 THRU 413)	REF		
	206-031-100-249	SHELL ASSY, LOWER (S/N 154 THRU 203, 254 THRU 353, 414 THRU 583)	REF		
	206-031-100-273	SHELL ASSY, LOWER (S/N 584 THRU 913)	REF	NP	
	206-031-100-279	SHELL ASSY, LOWER (S/N 1252 THRU 1488, 914 THRU 1163)	REF	NP	
	206-031-100-319	SHELL ASSY, LOWER (S/N 1164 THRU 1251)	REF		
	206-031-100-305	SHELL ASSY, LOWER (S/N 1489 THRU 3216)	REF	NP	
	206-031-100-331	SHELL ASSY, LOWER (S/N 3217 THRU 3566)	REF	NP	
	206-031-100-391	SHELL ASSY, LOWER (S/N 3567 THRU 4359)	REF	P	
	206-031-100-405	SHELL ASSY, LOWER (S/N 4360 THRU 4421)	REF	P	
	206-031-100-419	SHELL ASSY, LOWER (S/N 4422 THRU SUB)	REF	P	
21	NAS1474A4	NUTPLATE	4	SP	A
21	M14700-048	NUTPLATE	4	SP	B
	206-031-100-013	SHELL ASSY, AFT (S/N 204 THRU 253, 4 THRU 153)	REF		
	206-031-100-239	SHELL ASSY, AFT (S/N 354 THRU 413)	REF		
	206-031-100-247	SHELL ASSY, AFT (S/N 154 THRU 203, 254 THRU 353, 414 THRU 583) (REPLACED BY 206-031-100-307)	REF	NP	
	206-031-100-307	SHELL ASSY (S/N 154 THRU 203, 254 THRU 353, 414 THRU 583) (REPLACES 206-031-100-247)	REF		
	206-031-100-271	SHELL ASSY, AFT (S/N 584 THRU 913) (REPLACED BY 206-031-100-283)	REF		
	206-031-100-283	SHELL ASSY (S/N 584 THRU 913) (REPLACES 206-031-100-271)	REF		
	206-031-100-283	SHELL ASSY, AFT (S/N 1252 THRU 1488, 914 THRU 1163)	REF		
	206-031-100-321	SHELL ASSY, AFT (S/N 1164 THRU 1251) (REPLACED BY 206-961-118-005)	REF	NP	
	206-961-118-005	SHELL ASSY (S/N 1164 THRU 1251) (REPLACES 206-031-100-321)	REF	NP	
	206-031-100-307	SHELL ASSY, AFT (S/N 1489 THRU 3566)	REF		
	206-031-100-353	SHELL ASSY, AFT (S/N 3567 THRU 4359)	REF		
	206-031-100-409	SHELL ASSY, AFT (S/N 4360 THRU SUB)	REF		
22	80-005-3-12	INSERT	4	SP	
		USABLE ON CODES			
		CODE MODEL SERIAL NUMBER			
		A 206A 4-253			
		B 206A/B/BIII 254-SUB			
		C 206A/B/BIII 4-3566			
		D 206BIII 3567-SUB			
		1) UNLESS A (USBL ON...) NOTATION IN BRACKETS IS LISTED AFTER THE ITEM NAME IN COLUMN 3, NO CODE IN THE UOC COLUMN (COL.6) INDICATES THE PART APPLIES TO ALL SERIAL NUMBERS.			
		2) IF THE SERIAL NUMBER COLUMN OF THE USABLE ON CODES TABLE IS BLANK, THE PART OR ASSEMBLY APPLIES TO ALL SERIAL NUMBERS OF THE RELATED MODEL.			

(1) INDEX NUMBER	(2) PART NUMBER	(3) ITEM NAME	(4) UNIT PER ASSY	(5) A V A I L	(6) U O C
		<p>Figure 32-4. Cabin Step Installation, High Skid Gear</p> <p>AVAIL CODE DEFINITION</p> <p>P Procurable</p> <p>NP Non Procurable</p> <p>SP Normal stock/procurable</p> <p>Please see Chapter 1 for additional information on availability codes as well as general use of the Illustrated Parts Breakdown manual.</p>			



206AB_IPB_32_0012

Figure 32-5. Kit, Standard Low Gear - AAI (Aeronautical Accessories Inc.) (Sheet 2 of 3)



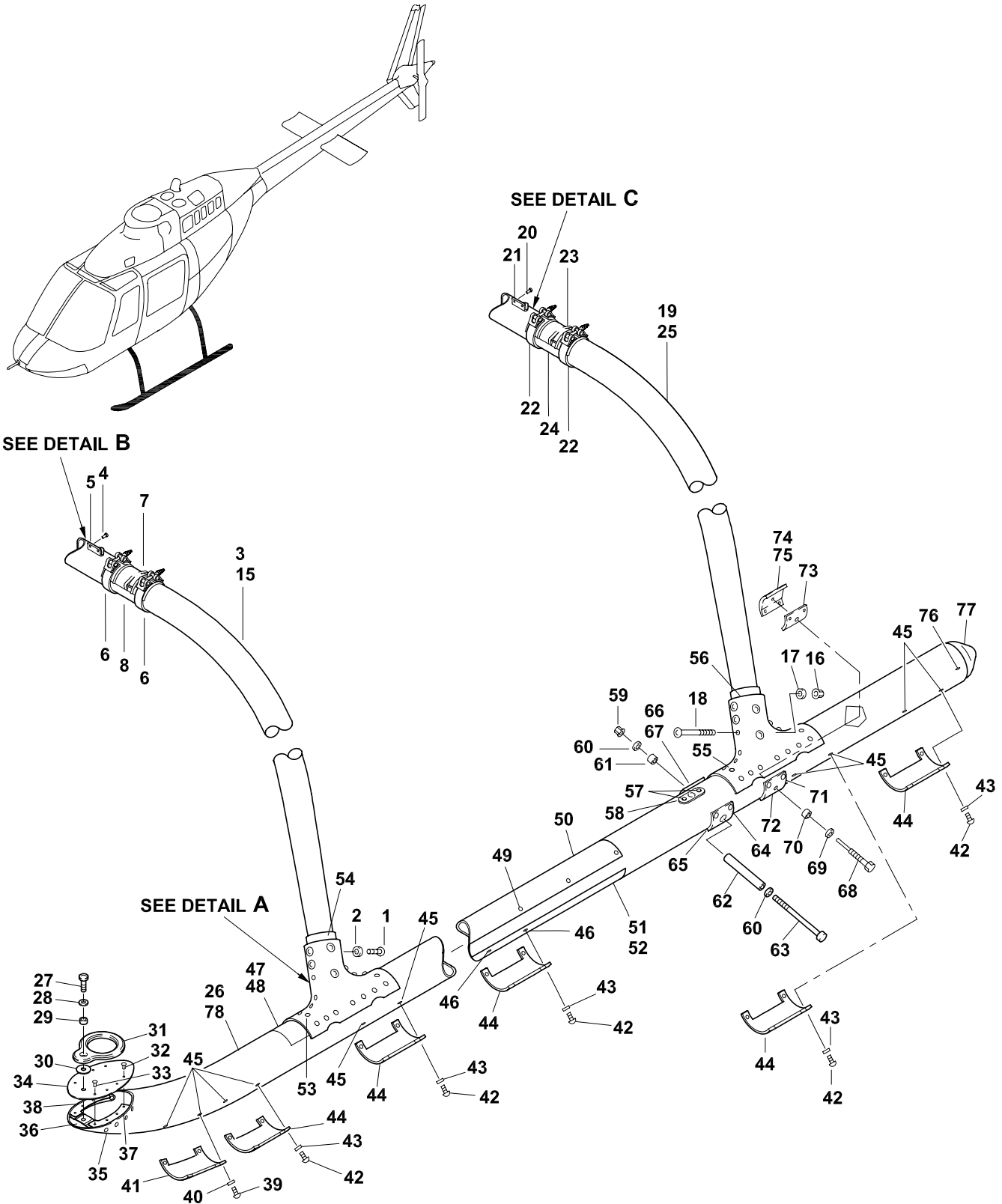
206AB_IPB_32_0013

Figure 32-5. Kit, Standard Low Gear - AAI (Aeronautical Accessories Inc.) (Sheet 3 of 3)

(1) INDEX NUMBER	(2) PART NUMBER	(3) ITEM NAME	(4) UNIT PER ASSY	(5) A V A I L	(6) U O C
		Figure 32-5. Kit, Standard Low Gear - AAI (Aeronautical Accessories Inc.)			
			REF		
1	206-320-503	LOW SKID GEAR KIT	18	SP	
	MS27039-5-13	. SCREW	18	SP	
2	NAS1149D0516J	. WASHER	1	SP	
3	206-320-121	. CROSS TUBE ASSY, FWD	4	SP	
4	CR3213-4-04	. RIVET	2	NP	
5	601-022-101	. CLIP	4	SP	
6	601-025-015	. CLAMP, T-BOLT 3/4 IN	2	SP	
7	601-025-005-B	. SUPPORT, FWD	2	NP	
8	601-033-123	. ABRASION STRIP	16	P	
9	CR3212-4-05	. RIVET	4	SP	
10	601-023-107	. PLATE ASSY	8	P	
11	CR3212-4-05	. RIVET	2	SP	
12	601-023-109	. PLATE ASSY	6	P	
13	CR3212-4-05	. RIVET	2	SP	
14	601-023-111	. PLATE ASSY	1	NP	
15	601-003-453	. CROSSTUBE, FWD	18	SP	
16	MS27039-5-16	. SCREW	18	SP	
17	NAS1149D0516J	. WASHER	1	SP	
18	206-320-124	. CROSS TUBE ASSY, AFT	4	P	
19	CR3213-4-06	. RIVET	2	NP	
20	601-022-103	. CLIP	4	SP	
21	601-025-015	. CLAMP, T-BOLT 3/4 IN	2	SP	
22	601-025-003-B	. SUPPORT, AFT	2	NP	
23	601-033-123	. ABRASION STRIP	16	P	
24	CR3212-4-08	. RIVET	4	SP	
25	601-023-107	. PLATE ASSY	8	P	
26	CR3212-4-08	. RIVET	2	SP	
27	601-023-109	. PLATE ASSY	6	P	
28	CR3212-4-08	. RIVET	2	SP	
29	601-023-111	. PLATE ASSY	1	NP	
30	601-005-453	. CROSSTUBE, AFT	1	P	
31	206-320-201	. SKID TUBE ASSY, LH	1	P	
31	206-320-202	. SKID TUBE ASSY, RH	1	SP	
32	MS27039-4-11	. SCREW	1	SP	
33	NAS1149D0416J	. WASHER	1	SP	
34	NAS43DD4-11	. SPACER	1	SP	
35	B0750-040	. WASHER	1	SP	
36	601-013-001	. RING	1	SP	
37	MS20426AD4-4	. RIVET	6	SP	
38	MS20426AD5-6	. RIVET	2	P	
39	601-021-001	. COVER	1	NP	
40	CR3213-4-02	. RIVET	8	P	
41	601-021-205	. STIFFENER ASSY	1	NP	
42	601-021-003	. CLIP, LH	1	SP	
43	601-021-004	. CLIP, RH	1	SP	
44	MS27039-1-10	. SCREW	4	SP	
45	NAS1149F0332P	. WASHER	4	SP	
46	601-015-303	. SHOE ASSY	1	SP	
47	MS27039-1-09	. SCREW	20	SP	
48	NAS1149F0332P	. WASHER	20	SP	
49	601-015-301	. SHOE ASSY, MID	5	SP	
50	NMTR10-80L	. INSERT	20	NP	
51	NMTR10-130L	. INSERT	4	NP	
52	CR3243-4-02	. RIVET	24	P	
53	601-017-021	. DOUBLER	2	NP	
54	MS90354U0804	. RIVET	40	SP	
55	601-007-101	. SADDLE (REPLACED BY 601-007-201)	2		
55	601-007-201	. SADDLE (REPLACES 601-007-101)	2	SP	

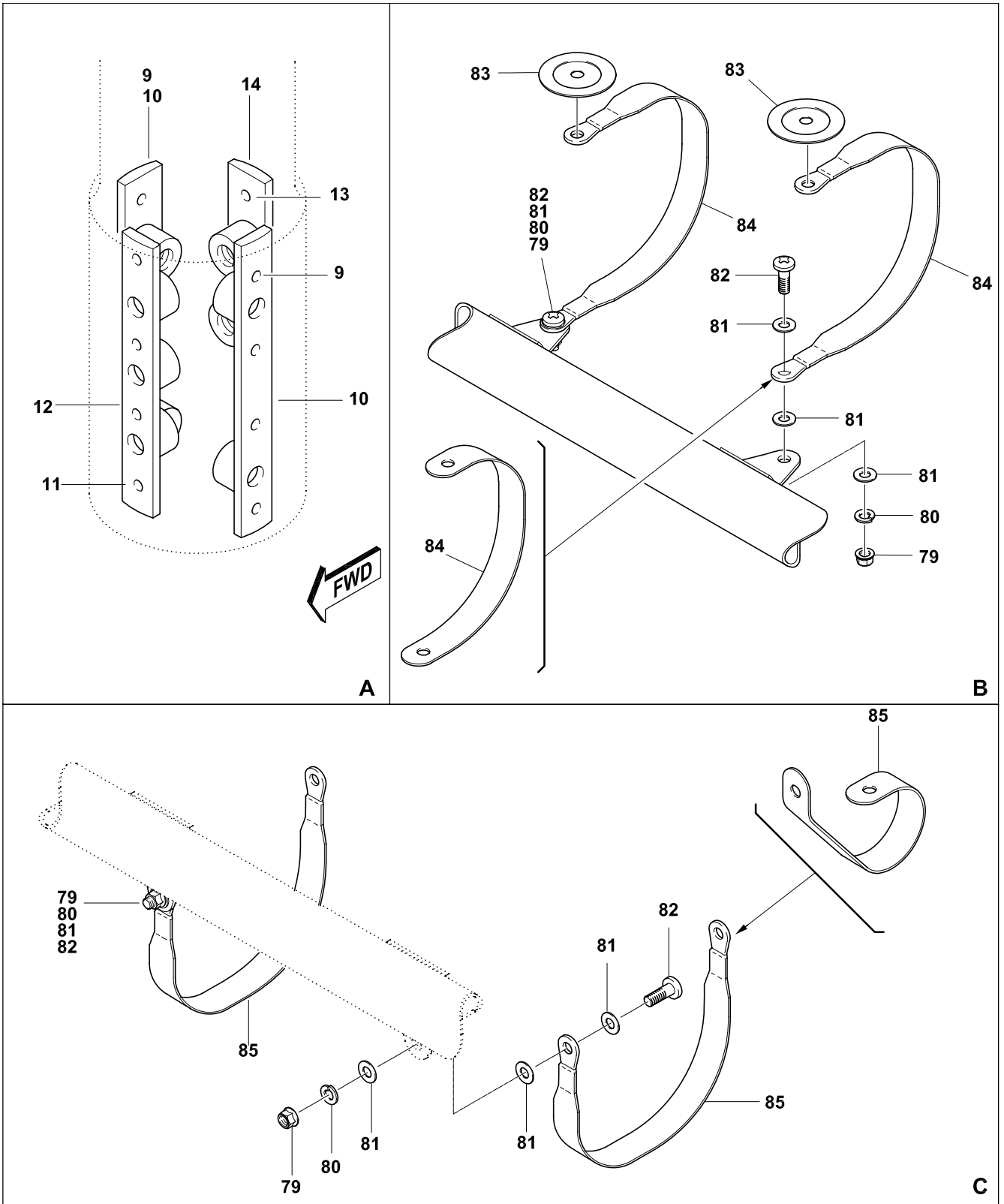
(1) INDEX NUMBER	(2) PART NUMBER	(3) ITEM NAME	(4) UNIT PER ASSY	(5) A V A I L	(6) U O C
Figure 32-5. Kit, Standard Low Gear - AAI (Aeronautical Accessories Inc.) (Cont'd)					
56	CR3212-4-02	. . . RIVET	2	P	
57	206-318-101	. . PLUG ASSY, SKID TUBE	1	NP	
58	MS21042L6	. . NUT	1	SP	
59	NAS1149F0663P	. . WASHER	2	SP	
60	NAS43HT6-26	. . SPACER	1	SP	
61	NAS43HT6-222	. . SPACER	1	SP	
62	AN6-44A	. . BOLT	1	SP	
63	CR3522P5-02	. . RIVET	4	P	
64	601-011-003	. . DOUBLER	1	NP	
65	CR3522P5-03	. . RIVET	4	SP	
66	601-011-005	. . DOUBLER	1	NP	
67	601-011-007	. . BOLT	1	SP	
68	NAS1149F0663P	. . WASHER	1	SP	
69	NAS43HT6-20	. . SPACER	1	SP	
70	CR3522P5-02	. . RIVET	4	P	
71	601-011-001	. . DOUBLER	1	NP	
72	601-011-111	. . DOUBLER ASSY	1	NP	
73	CR3522P5-03	. . RIVET	4	SP	
74	601-011-009	. . RECEPTACLE	1	NP	
75	CR3213-4-03	. . RIVET	2	SP	
76	601-019-001	. . PLUG ASSY	1	P	
77	601-001-403	. . SKID TUBE, LH	1	NP	
77	601-001-404	. . SKID TUBE, RH	1	NP	
	206-705-008-111	KIT, AVIONICS	REF	P	A
	206-705-008-133	KIT, AVIONICS	REF	P	B
	206-705-008-137	KIT, AVIONICS	REF	P	C
	206-705-008-159	KIT, AVIONICS	REF	P	D
	206-705-008-161	KIT, AVIONICS	REF	P	E
	206-705-008-163	KIT, AVIONICS	REF	P	F
	206-705-008-167	KIT, AVIONICS	REF	NP	G
	206-075-510-137	ELECTRICAL INSTL	REF	NP	H
78	MS21042L3	. . NUT, SELF-LOCKING	4	SP	
79	MS35338-43	. . WASHER, LOCK	4	SP	
80	AN960PD10L	. . WASHER (USBL ON 206-705-008-167) (REPLACED BY NAS1149D0316H)	12	P	
80	NAS1149D0316H	. . WASHER (REPLACES AN960D10L)	12	SP	
80	NAS1149D0316H	. . WASHER (USBL ON 206-075-510-137)	12	SP	
81	MS27039-1-08	. . SCREW	4	SP	
82	206-031-637-101	. . WASHER, FWD (NOTE 1)	2	SP	
83	120-055-1-16	. . BONDING STRIP, FWD (USBL ON 206-705-008-167)	2	SP	
83	120-172-4-008	. . JUMPER ASSY, FWD (USBL ON 206-075-510-137)	2	SP	
84	120-055-1-4	. . BONDING STRIP, AFT (USBL ON 206-705-008-167)	2	SP	
84	120-172-4-002	. . JUMPER ASSY, AFT (USBL ON 206-075-510-137)	2	SP	
NOTE 1: ENSURE PROTRUDING INSERT ON BELLY SITS IN RECESS OF WASHER.					
USABLE ON CODES					
CODE		MODEL	SERIAL NUMBER		
A		206B	3217-3566		
B		206B	3567-4359		
C		206B	4012-4310		
D		206B	4311-4359		
E		206B	4360-4586		
F		206B	4360-4514		
G		206B	4515-4586		

(1) INDEX NUMBER	(2) PART NUMBER	(3) ITEM NAME	(4) UNIT PER ASSY	(5) A V A I L	(6) U O C
		<p>Figure 32-5. Kit, Standard Low Gear - AAI (Aeronautical Accessories Inc.) (Cont'd)</p> <p>H 206B 4587-SUB</p> <p>1) UNLESS A (USBL ON...) NOTATION IN BRACKETS IS LISTED AFTER THE ITEM NAME IN COLUMN 3, NO CODE IN THE UOC COLUMN (COL.6) INDICATES THE PART APPLIES TO ALL SERIAL NUMBERS.</p> <p>2) IF THE SERIAL NUMBER COLUMN OF THE USABLE ON CODES TABLE IS BLANK, THE PART OR ASSEMBLY APPLIES TO ALL SERIAL NUMBERS OF THE RELATED MODEL.</p> <p>AVAIL CODE DEFINITION</p> <p>P Procurable NP Non Procurable SP Normal stock/procurement</p> <p>Please see Chapter 1 for additional information on availability codes as well as general use of the Illustrated Parts Breakdown manual.</p>			



206AB_IPB_32_0014

Figure 32-6. Kit, High Skid Gear - AAI (Aeronautical Accessories Inc.) (Sheet 1 of 2)



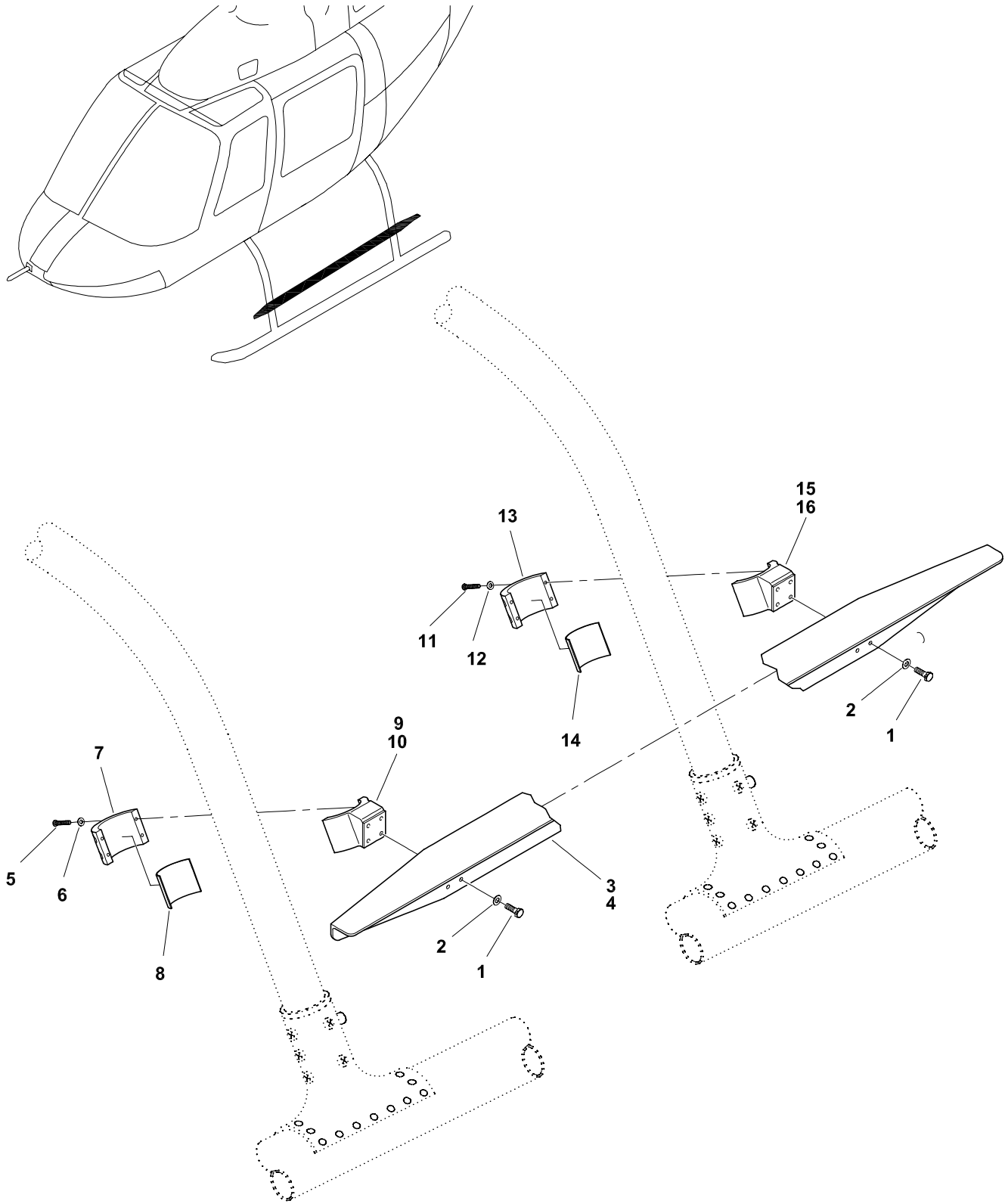
206AB_IPB_32_0015

Figure 32-6. Kit, High Skid Gear - AAI (Aeronautical Accessories Inc.) (Sheet 2 of 2)

(1) INDEX NUMBER	(2) PART NUMBER	(3) ITEM NAME	(4) UNIT PER ASSY	(5) A V A I L	(6) U O C
		Figure 32-6. Kit, High Skid Gear - AAI (Aeronautical Accessories Inc.)			
	206-321-415	HIGH SKID GEAR KIT.	REF	P	
1	MS27039-5-14	. SCREW	9	SP	
2	NAS1149D0516J	. WASHER	9	SP	
3	206-321-021	. CROSS TUBE ASSY, FWD	1	SP	
4	CR3213-4-04	. RIVET	4	SP	
5	601-022-101	. CLIP	2	NP	
6	601-025-015	. CLAMP, T-BOLT 3/4 IN	4	SP	
7	601-025-005-B	. SUPPORT, FWD	2	SP	
8	601-033-123	. ABRASION STRIP	2	NP	
9	CR3212-4-05	. RIVET	16	P	
10	601-023-107	. PLATE ASSY	4	SP	
11	CR3212-4-05	. RIVET	8	P	
12	601-023-109	. PLATE ASSY	2	SP	
13	CR3212-4-05	. RIVET	6	P	
14	601-023-111	. PLATE ASSY	2	SP	
15	601-003-451	. CROSS TUBE, FWD	1	NP	
16	MS21042L5	. NUT, SELF-LOCKING	5	SP	
17	NAS1149D0563J	. WASHER	5	SP	
18	MS27039-5-48	. SCREW	5	SP	
19	206-321-028	. CROSS TUBE ASSY, AFT	1	SP	
20	CR3213-4-06	. RIVET	4	P	
21	601-022-103	. CLIP	2	NP	
22	601-025-015	. CLAMP, T-BOLT 3/4 IN	4	SP	
23	601-025-003-B	. SUPPORT, AFT	2	SP	
24	601-033-123	. ABRASION STRIP	2	NP	
25	601-005-460	. CROSS TUBE, AFT	1	NP	
26	206-321-251	. SKID TUBE ASSY, LH	1	SP	
26	206-321-252	. SKID TUBE ASSY, RH	1	SP	
27	MS27039-4-11	. SCREW	1	SP	
28	NAS1149D0416J	. WASHER	1	SP	
29	NAS43DD4-11	. SPACER	1	SP	
30	B0750-040	. WASHER	1	SP	
31	601-013-001	. RING	1	SP	
32	MS20426AD4-4	. RIVET	6	SP	
33	MS20426AD5-6	. RIVET	2	P	
34	601-021-001	. COVER	1	NP	
35	CR3213-4-02	. RIVET	8	P	
36	601-021-205	. STIFFENER ASSY	1	NP	
37	601-021-003	. CLIP, LH	1	SP	
38	601-021-004	. CLIP, RH	1	SP	
39	MS27039-1-10	. SCREW	4	SP	
40	NAS1149F0332P	. WASHER	4	SP	
41	601-015-303	. SHOE ASSY	1	SP	
42	MS27039-1-09	. SCREW	20	SP	
43	NAS1149F0332P	. WASHER	20	SP	
44	601-015-301	. SHOE ASSY, MID	5	SP	
45	NMTR10-80L	. INSERT	20	NP	
46	NMTR10-130L	. INSERT	4	NP	
47	CR3213-4-02	. RIVET	2	P	
48	601-017-003	. DOUBLER	1	P	
49	CR3243-4-02	. RIVET	12	P	
50	601-017-001	. DOUBLER (REPLACED BY 601-017-021)	1		
50	601-017-021	. DOUBLER (REPLACES 601-017-001)	2	NP	
51	CR3243-4-02	. RIVET	12	P	
52	601-017-005	. DOUBLER (REPLACED BY 601-017-021)	1	NP	
52	601-017-021	. DOUBLER (REPLACES 601-017-005)	1	NP	
53	MS90354U0804	. RIVET	20	SP	
54	601-007-101	. SADDLE (REPLACED BY 601-007-201)	1		

(1) INDEX NUMBER	(2) PART NUMBER	(3) ITEM NAME	(4) UNIT PER ASSY	(5) A V A I L	(6) U O C
		Figure 32-6. Kit, High Skid Gear - AAI (Aeronautical Accessories Inc.) (Cont'd)			
54	601-007-201	.. SADDLE (REPLACES 601-007-101)	1	SP	
55	MS90354U0804	.. RIVET	20	SP	
56	601-007-107	.. SADDLE (REPLACED BY 601-007-107)	1		
56	601-007-207	.. SADDLE (REPLACES 601-007-107)	1		
57	CR3212-4-02	.. RIVET	2	P	
58	206-318-101	.. PLUG ASSY, SKID TUBE	1	NP	
59	NAS679A6	.. NUT (REPLACED BY MS21042L6)	1	P	
59	MS21042L6	.. NUT (REPLACES NAS679A6)	1	SP	
60	NAS1149F0663P	.. WASHER	2	SP	
61	NAS43HT6-26	.. SPACER	1	SP	
62	NAS43HT6-222	.. SPACER	1	SP	
63	AN6-44A	.. BOLT	1	SP	
64	CR3522P5-02	.. RIVET	4	P	
65	601-011-003	.. DOUBLER	1	NP	
66	CR3522P5-03	.. RIVET	4	SP	
67	601-011-005	.. DOUBLER	1	NP	
68	601-011-007	.. BOLT	1	SP	
69	NAS1149F0663P	.. WASHER	1	SP	
70	NAS43HT6-20	.. SPACER	1	SP	
71	CR3522P5-02	.. RIVET	4	P	
72	601-011-001	.. DOUBLER	1	NP	
73	601-011-111	.. DOUBLER ASSY	1	NP	
74	CR3522P5-03	.. RIVET	4	SP	
75	601-011-009	.. RECEPTACLE	1	NP	
76	CR3213-4-03	.. RIVET	2	SP	
77	601-019-001	.. PLUG ASSY	1	P	
78	601-001-401	.. SKID TUBE, LH	1	NP	
78	601-001-402	.. SKID TUBE, RH	1	NP	
	206-705-008-111	KIT, AVIONICS	REF	P	A
	206-705-008-133	KIT, AVIONICS	REF	P	B
	206-705-008-137	KIT, AVIONICS	REF	P	C
	206-705-008-159	KIT, AVIONICS	REF	P	D
	206-705-008-161	KIT, AVIONICS	REF	P	E
	206-705-008-163	KIT, AVIONICS	REF	P	F
	206-705-008-167	KIT, AVIONICS	REF	NP	G
	206-075-510-137	ELECTRICAL INSTL	REF	NP	H
79	MS21042L3	.. NUT, SELF-LOCKING	4	SP	
80	MS35338-43	.. WASHER, LOCK	4	SP	
81	AN960PD10L	.. WASHER (USBL ON 206-705-008-167) (REPLACED BY NAS1149D0316H)	12	P	
81	NAS1149D0316H	.. WASHER (REPLACES AN960PD10L)	12	SP	
81	NAS1149D0316H	.. WASHER (USBL ON 206-075-510-137)	12	SP	
82	MS27039-1-08	.. SCREW	4	SP	
83	206-031-637-101	.. WASHER, FWD (NOTE 1)	2	SP	
84	120-055-1-16	.. BONDING STRIP, FWD (USBL ON 206-705-008-167)	2	SP	
84	120-172-4-008	.. JUMPER ASSY, FWD (USBL ON 206-075-510-137)	2	SP	
85	120-055-1-4	.. BONDING STRIP, AFT (USBL ON 206-705-008-167)	2	SP	
85	120-172-4-002	.. JUMPER ASSY, AFT (USBL ON 206-075-510-137)	2	SP	
		NOTE 1: ENSURE PROTRUDING INSERT ON BELLY SITS IN RECESS OF WASHER.			
		USABLE ON CODES			
	CODE	MODEL	SERIAL NUMBER		
	A	206B	3217-3566		
	B	206B	3567-4359		

(1) INDEX NUMBER	(2) PART NUMBER	(3) ITEM NAME	(4) UNIT PER ASSY	(5) A V A I L	(6) U O C																		
		<p>Figure 32-6. Kit, High Skid Gear - AAI (Aeronautical Accessories Inc.) (Cont'd)</p> <table border="0"> <tr> <td>C</td> <td>206B</td> <td>4012-4310</td> </tr> <tr> <td>D</td> <td>206B</td> <td>4311-4359</td> </tr> <tr> <td>E</td> <td>206B</td> <td>4360-4586</td> </tr> <tr> <td>F</td> <td>206B</td> <td>4360-4514</td> </tr> <tr> <td>G</td> <td>206B</td> <td>4515-4586</td> </tr> <tr> <td>H</td> <td>206B</td> <td>4587-SUB</td> </tr> </table> <p>1) UNLESS A (USBL ON...) NOTATION IN BRACKETS IS LISTED AFTER THE ITEM NAME IN COLUMN 3, NO CODE IN THE UOC COLUMN (COL.6) INDICATES THE PART APPLIES TO ALL SERIAL NUMBERS.</p> <p>2) IF THE SERIAL NUMBER COLUMN OF THE USABLE ON CODES TABLE IS BLANK, THE PART OR ASSEMBLY APPLIES TO ALL SERIAL NUMBERS OF THE RELATED MODEL.</p> <p>AVAIL CODE DEFINITION</p> <p>P Procurable NP Non Procurable SP Normal stock/procurable</p> <p>Please see Chapter 1 for additional information on availability codes as well as general use of the Illustrated Parts Breakdown manual.</p>	C	206B	4012-4310	D	206B	4311-4359	E	206B	4360-4586	F	206B	4360-4514	G	206B	4515-4586	H	206B	4587-SUB			
C	206B	4012-4310																					
D	206B	4311-4359																					
E	206B	4360-4586																					
F	206B	4360-4514																					
G	206B	4515-4586																					
H	206B	4587-SUB																					



206AB_IPB_32_0016

Figure 32-7. Flightstep (AAI), High Skid Gear

(1) INDEX NUMBER	(2) PART NUMBER	(3) ITEM NAME	(4) UNIT PER ASSY	(5) A V A I L	(6) U O C
Figure 32-7. Flightstep (AAI), High Skid Gear					
1	206-322-101	FLITESTEP KIT.	1	SP	
	AN4H5A	. BOLT.	16	SP	
2	NAS1149D0463J	. WASHER.	16	SP	
3	206-307-001	. STEP ASSY, LH.	1		
4	206-307-002	. STEP ASSY, RH.	1		
5	MS27039-1-11	. SCREW.	8	SP	
6	NAS1149D0332J	. WASHER, FLAT.	8	SP	
7	206-300-101	. BRACKET ASSY, CLAMP, FWD.	2		
8	206-300-019	. PAD.	1		
9	206-300-125	. BRACKET ASSY, STEP, FWD.	2		
10	206-300-019	. PAD.	1		
11	MS27039-1-11	. SCREW.	8	SP	
12	NAS11490332J	. WASHER.	8	SP	
13	206-300-211	. BRACKET ASSY, CLAMP, AFT.	2		
14	206-300-032	. PAD.	1		
15	206-300-227	. BRACKET ASSY, STEP, AFT.	2		
16	206-300-032	. PAD.	1		
<p>AVAIL CODE DEFINITION</p> <p>P Procurable</p> <p>NP Non Procurable</p> <p>SP Normal stock/procurable</p>					
<p>Please see Chapter 1 for additional information on availability codes as well as general use of the Illustrated Parts Breakdown manual.</p>					

