

CONTENTS - IPB

Figure Number	Figure Title	Chapter/Section Number	Page Number
52-1	Door installation, crew	52-99-00	2
52-2	Door assembly, crew	52-99-00	6
52-3	Door installation, passenger	52-99-00	16
52-4	Handle installation (1751-3566); latch assembly (4-1750) and housing installation, striker, crew and passenger doors	52-99-00	30
52-5	Door installation, baggage	52-99-00	36
52-6	Skylight; windshield assembly; window assembly, lower and door frame installations	52-99-00	40
52-7	Lock installations	52-99-00	48
52-8	Mechanism assembly, latching, litter provision, removable door post	52-99-00	50

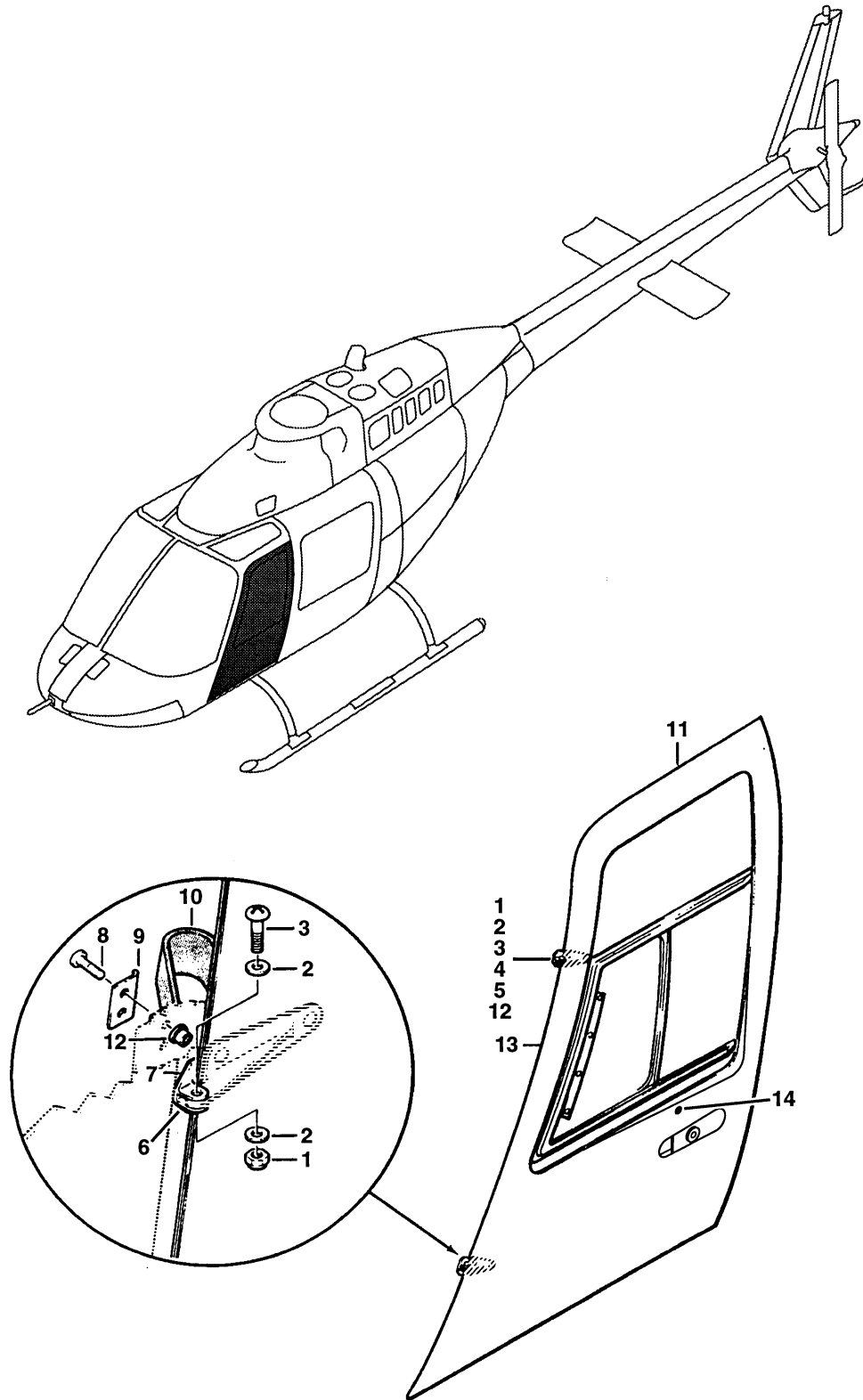


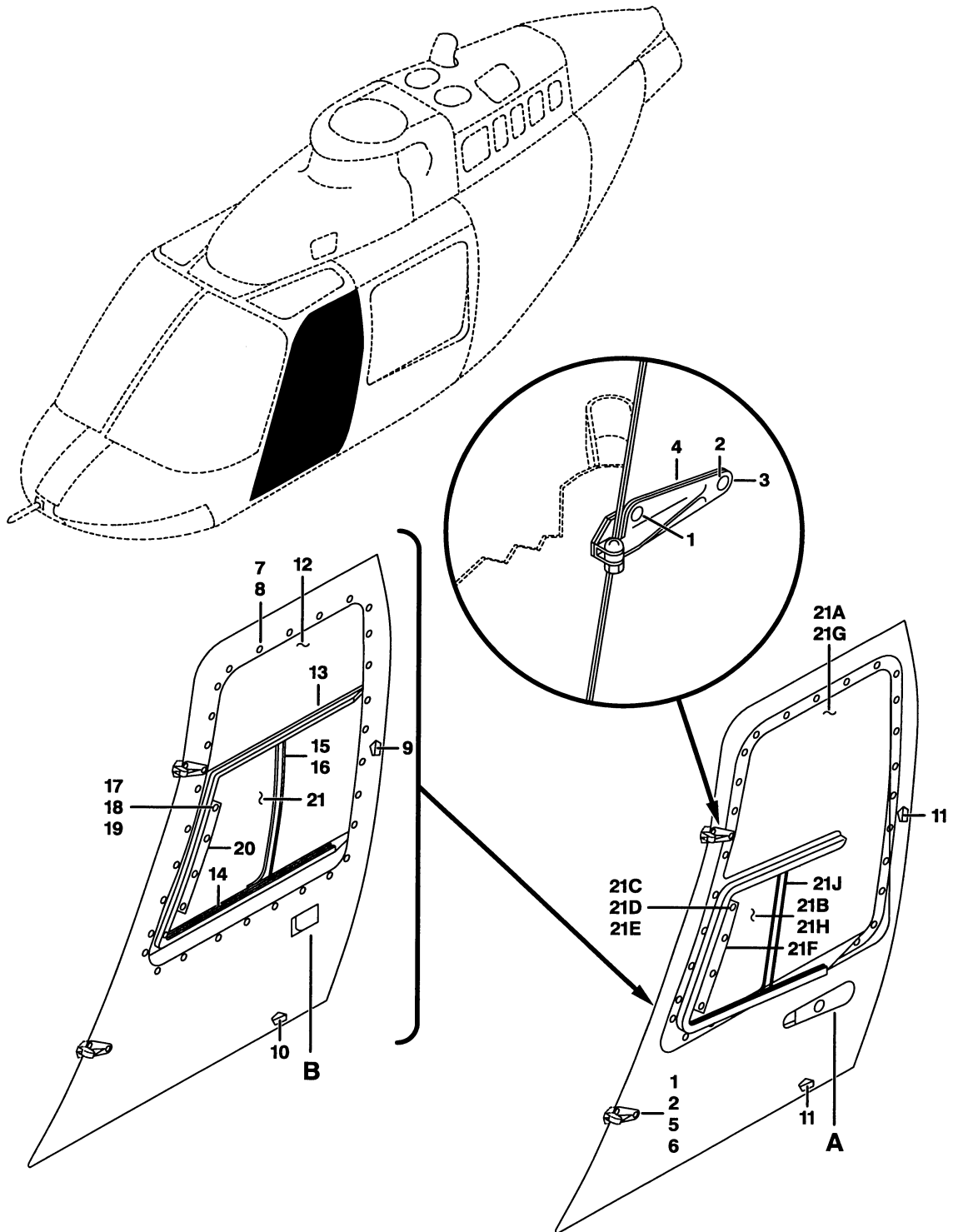
Figure 52-1. Door installation, crew

206A/B/B3-52-1001
C0000

(1) INDEX NUMBER	(2) PART NUMBER	(3) ITEM NAME	(4) UNIT PER ASSY	(5) A V A I L	(6) U O C
		FIGURE: 52-1. Door installation, crew			
	206-031-500-057	DOOR INSTL, CREW, LH (AUGUSTA CABIN)	1		
	206-031-500-119	DOOR INSTL, CREW, LH (AUGUSTA CABIN)	1		
	206-031-500-139	DOOR INSTL, CREW, LH (BEECH CABIN)	1		
	206-031-500-143	DOOR INSTL, CREW, LH (BEECH CABIN)	1		
	206-031-500-155	DOOR INSTL, CREW, LH	1		
	206-031-500-203	DOOR INSTL, CREW, LH	1		
	206-031-500-229	DOOR INSTL, CREW, LH	1		
	206-031-500-247	DOOR INSTL, CREW, LH	1		
	206-031-500-058	DOOR INSTL, CREW, RH (AGUSTA CABIN)	1		
	206-031-500-120	DOOR INSTL, CREW, RH (AGUSTA CABIN)	1		
	206-031-500-140	DOOR INSTL, CREW, RH (BEECH CABIN)	1		
	206-031-500-144	DOOR INSTL, CREW, RH (BEECH CABIN)	1		
	206-031-500-156	DOOR INSTL, CREW, RH	1		
	206-031-500-204	DOOR INSTL, CREW, RH	1		
	206-031-500-230	DOOR INSTL, CREW, RH	1		
	206-031-500-248	DOOR INSTL, CREW, RH	1		
1	NAS679A3	.NUT (REPLACED BY MS21042L3)	2		
1	MS21042L3	.NUT (REPLACES NAS679A3)	2	1	
2	AN960PD10L	.WASHER (REPLACED BY AN960JD10L)	4		
2	AN960JD10L	.WASHER (REPLACES AN960PD10L) (REPLACED BY NAS1149D0332J)	4		
2	NAS1149D0332J	.WASHER (REPLACES AN960JD10L)	4		
3	AN23-10A	.BOLT	2	1	
4	206-031-502-005	.HINGE, CLEVIS, UPPER, LH (REPLACED BY 206-031-502-007)	1		B
4	206-031-502-007	.HINGE, CLEVIS, UPPER, LH (REPLACES 206-031-502-005)	1		
4	206-031-502-006	.HINGE, CLEVIS, UPPER, RH (REPLACED BY 206-031-502-008)	1	0	B
4	206-031-502-008	.HINGE, CLEVIS, UPPER, RH (REPLACES 206-031-502-006)	1		
5	206-031-573-001	.SHIM	1	1	G
6	206-031-503-005	.HINGE, CLEVIS, LOWER, LH	1		B
6	206-031-503-007	.HINGE, CLEVIS, LOWER, LH	1	1	
6	206-031-503-006	.HINGE, CLEVIS, LOWER, RH	1	0	B
6	206-031-503-008	.HINGE, CLEVIS, LOWER, RH	1	1	
7	206-031-573-001	.SHIM	1	1	G
8	NAS1190-3P10L	.SCREW	4		F
8	NAS1190-3P12	.SCREW	4	1	L
9	206-031-556-001	.RETAINER	2	1	
10	206-031-557-001	.STRAP	1	1	D
10	206-031-557-005	.STRAP	1	1	J
10	206-031-624-101	.STRAP	2	1	L
11	206-031-500-059	.DOOR ASSY, CREW, LH (AGUSTA CABIN) (NOTE 1) (SEE . . FIG. 2 FOR BALANCE OF BREAKDOWN) (USBL ON 206-031-500-057)	1	0	A
11	206-031-500-121	.DOOR ASSY, CREW, LH (AGUSTA CABIN) (NOTE 1) (SEE . . FIG. 2 FOR BALANCE OF BREAKDOWN) (USBL ON 206-031-500-119)	1	0	C

(1) INDEX NUMBER	(2) PART NUMBER	(3) ITEM NAME	(4) UNIT PER ASSY	(5) A V A I L	(6) U O C
		FIGURE: 52-1. Door installation, crew (Cont'd)			
11	206-031-500-141	.DOOR ASSY, CREW, LH (BEECH CABIN) (NOTE 1) (SEE . . . FIG. 2 FOR BALANCE OF BREAKDOWN) (USBL ON 206-031-500-139)	1	0	C
11	206-031-500-145	.DOOR ASSY, CREW, LH (BEECH CABIN) (NOTE 1) (SEE . . . FIG. 2 FOR BALANCE OF BREAKDOWN) (USBL ON 206-031-500-143)	1	0	E
11	206-031-500-157	.DOOR ASSY, CREW, LH (NOTE 1) (SEE FIG. 2 FOR BALANCE OF BREAKDOWN) (USBL ON 206-031-500-155)	1		H
11	206-031-500-205	.DOOR ASSY, CREW, LH (NOTE 1) (SEE FIG. 2 FOR BALANCE OF BREAKDOWN) (USBL ON 206-031-500-203)	1		K
11	206-031-500-231	.DOOR ASSY, CREW, LH (NOTE 1) (SEE FIG. 2 FOR BALANCE OF BREAKDOWN) (USBL ON 206-031-500-229) (REPLACED BY 206-031-500-243)	1		L
11	206-031-500-243	.DOOR ASSY, CREW, LH (NOTE 1) (SEE FIG. 2 FOR BALANCE OF BREAKDOWN) (USBL ON 206-031-500-229) (REPLACES 206-031-500-231)	1		L
11	206-031-500-249	.DOOR ASSY, CREW, LH (NOTE 1) (SEE FIG. 2 FOR BALANCE OF BREAKDOWN) (USBL ON 206-031-500-247)	1		M
11	206-031-500-060	.DOOR ASSY, CREW, RH (AGUSTA CABIN) (NOTE 1) (SEE . . . FIG. 2 FOR BALANCE OF BREAKDOWN) (USBL ON 206-031-500-058)	1	0	A
11	206-031-500-122	.DOOR ASSY, CREW, RH (NOTE 1) (SEE FIG. 2 FOR BALANCE OF BREAKDOWN) (USBL ON 206-031-500-120)	1	0	C
11	206-031-500-142	.DOOR ASSY, CREW, RH (NOTE 1) (SEE FIG. 2 FOR BALANCE OF BREAKDOWN) (USBL ON 206-031-500-140)	1	0	C
11	206-031-500-146	.DOOR ASSY, CREW, RH (BEECH CABIN) (NOTE 1) (SEE . . . FIG. 2 FOR BALANCE OF BREAKDOWN) (USBL ON 206-031-500-144)	1	6	E
11	206-031-500-158	.DOOR ASSY, CREW, RH (NOTE 1) (SEE FIG. 2 FOR BALANCE OF BREAKDOWN) (USBL ON 206-031-500-156)	1		H
11	206-031-500-206	.DOOR ASSY, CREW, RH (NOTE 1) (SEE FIG. 2 FOR BALANCE OF BREAKDOWN) (USBL ON 206-031-500-204)	1		K
11	206-031-500-232	.DOOR ASSY, CREW, RH (NOTE 1) (SEE FIG. 2 FOR BALANCE OF BREAKDOWN) (USBL ON 206-031-500-230) (REPLACED BY 206-031-500-244)	1		L
11	206-031-500-244	.DOOR ASSY, CREW, RH (NOTE 1) (SEE FIG. 2 FOR BALANCE OF BREAKDOWN) (USBL ON 206-031-500-230) (REPLACES 206-031-500-232)	1		L
11	206-031-500-250	.DOOR ASSY, CREW, RH (NOTE 1) (SEE FIG. 2 FOR BALANCE OF BREAKDOWN) (USBL ON 206-031-500-248)	1		M
12	NAS1329A3K80	.RIVNUT, BLIND	4	1	
13	206-031-500-025	.CHAFING STRIP (USBL ON 206-031-500-057, -058, . . . -119, -120, -143, -155, -203 AND -229)	1		
14	100-046S56A1	.PLUG BUTTON	1	1	
		NOTE 1: WHEN ORDERING SPARES SPECIFY HELICOPTER AND CABIN SERIAL NUMBER. THE CABIN SERIAL NUMBER PLACARD IS LOCATED ON THE LOWER RIGHT SIDE OF THE CONSOLE			

(1) INDEX NUMBER	(2) PART NUMBER	(3) ITEM NAME	(4) UNIT PER ASSY	(5) A V A I L	(6) U O C																																				
		<p>FIGURE: 52-1. Door installation, crew (Cont'd)</p> <p style="text-align: center;">USABLE ON CODES</p> <table border="0" style="margin-left: auto; margin-right: auto;"> <thead> <tr> <th style="text-align: left;">CODE</th> <th style="text-align: left;">MODEL</th> <th style="text-align: left;">SERIAL NUMBER</th> </tr> </thead> <tbody> <tr><td>A</td><td>206A</td><td>4-53</td></tr> <tr><td>B</td><td>206A</td><td>4-413</td></tr> <tr><td>C</td><td>206A</td><td>54-413</td></tr> <tr><td>D</td><td>206A/B</td><td>4-1750</td></tr> <tr><td>E</td><td>206A/B</td><td>414-1750</td></tr> <tr><td>F</td><td>206A/B/BIII</td><td>4-3566</td></tr> <tr><td>G</td><td>206A/B/BIII</td><td>414-SUB</td></tr> <tr><td>H</td><td>206B</td><td>1751-2211</td></tr> <tr><td>J</td><td>206B/BIII</td><td>1751-3566</td></tr> <tr><td>K</td><td>206BIII</td><td>2212-3566</td></tr> <tr><td>L</td><td>206BIII</td><td>3567-SUB</td></tr> </tbody> </table> <p>1) UNLESS A USABLE ON PART NUMBER IS LISTED IN THE ITEM NAME COLUMN; NO CODE INDICATES THE PART APPLIES TO ALL SERIAL NUMBERS.</p> <p>2) IF THE SERIAL NUMBER IS BLANK THE PART APPLIES TO ALL SERIAL NUMBERS FOR THAT MODEL.</p>	CODE	MODEL	SERIAL NUMBER	A	206A	4-53	B	206A	4-413	C	206A	54-413	D	206A/B	4-1750	E	206A/B	414-1750	F	206A/B/BIII	4-3566	G	206A/B/BIII	414-SUB	H	206B	1751-2211	J	206B/BIII	1751-3566	K	206BIII	2212-3566	L	206BIII	3567-SUB			
CODE	MODEL	SERIAL NUMBER																																							
A	206A	4-53																																							
B	206A	4-413																																							
C	206A	54-413																																							
D	206A/B	4-1750																																							
E	206A/B	414-1750																																							
F	206A/B/BIII	4-3566																																							
G	206A/B/BIII	414-SUB																																							
H	206B	1751-2211																																							
J	206B/BIII	1751-3566																																							
K	206BIII	2212-3566																																							
L	206BIII	3567-SUB																																							



206A/B/B3-52-1002-1
C000

Figure 52-2. Door assembly, crew (Sheet 1 of 2)

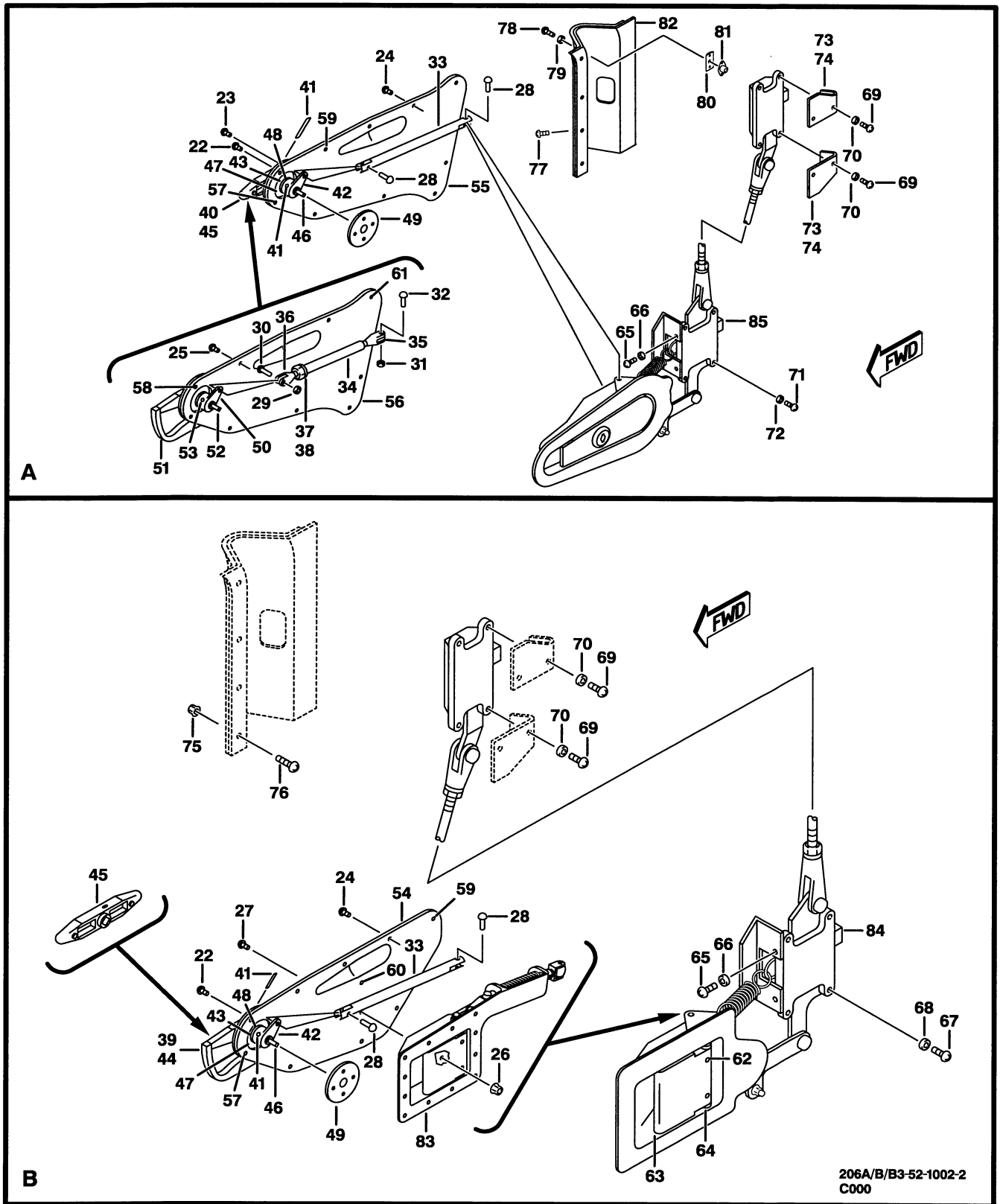


Figure 52-2. Door assembly, crew (Sheet 2)

(1) INDEX NUMBER	(2) PART NUMBER	(3) ITEM NAME	(4) UNIT PER ASSY	(5) A V A I L	(6) U O C
		FIGURE: 52-2. Door assembly, crew			
	206-031-500-059	DOOR ASSY, CREW, LH (NOTE 1) (SEE FIG. 1 FOR NHA) . . . (SEE FIG. 1 FOR BALANCE OF BREAKDOWN)	REF	0	A
	206-031-500-121	DOOR ASSY, CREW, LH (AGUSTA CABIN) (NOTE 1) (SEE . . . FIG. 1 FOR NHA) (SEE FIG. 1 FOR BALANCE OF BREAKDOWN)	REF	0	C
	206-031-500-141	DOOR ASSY, CREW, LH (BEECH CABIN) (NOTE 1) (SEE . . . FIG. 1 FOR NHA) (SEE FIG. 1 FOR BALANCE OF BREAKDOWN)	REF	0	C
	206-031-500-145	DOOR ASSY, CREW, LH (NOTE 1) (SEE FIG. 1 FOR NHA) . . . (SEE FIG. 1 FOR BALANCE OF BREAKDOWN)	REF	0	E
	206-031-500-157	DOOR ASSY, CREW, LH (NOTE 1) (SEE FIG. 1 FOR NHA) . . . (SEE FIG. 1 FOR BALANCE OF BREAKDOWN)	REF		H
	206-031-500-205	DOOR ASSY, CREW, LH (NOTE 1) (SEE FIG. 1 FOR NHA) . . . (SEE FIG. 1 FOR BALANCE OF BREAKDOWN)	REF		K
	206-031-500-231	DOOR ASSY, CREW, LH (NOTE 1) (SEE FIG. 1 FOR NHA) . . . (SEE FIG. 1 FOR BALANCE OF BREAKDOWN) (REPLACED BY 206-031-500-243)	REF		L
	206-031-500-243	DOOR ASSY, CREW, LH (NOTE 1) (SEE FIG. 1 FOR NHA) . . . (SEE FIG. 1 FOR BALANCE OF BREAKDOWN) (REPLACES 206-031-500-231)	REF		L
	206-031-500-249	DOOR ASSY, CREW, LH (NOTE 1) (SEE FIG. 1 FOR NHA) . . . (SEE FIG. 1 FOR BALANCE OF BREAKDOWN)	REF		M
	206-031-500-060	DOOR ASSY, CREW, RH (NOTE 1) (SEE FIG. 1 FOR NHA) . . . (SEE FIG. 1 FOR BALANCE OF BREAKDOWN)	REF	0	A
	206-031-500-122	DOOR ASSY, CREW, RH (AGUSTA CABIN) (NOTE 1) (SEE . . . FIG. 1 FOR NHA) (SEE FIG. 1 FOR BALANCE OF BREAKDOWN)	REF	0	C
	206-031-500-142	DOOR ASSY, CREW, RH (BEECH CABIN) (NOTE 1) (SEE . . . FIG. 1 FOR NHA) (SEE FIG. 1 FOR BALANCE OF BREAKDOWN)	REF	0	C
	206-031-500-146	DOOR ASSY, CREW, RH (NOTE 1) (SEE FIG. 1 FOR NHA) . . . (SEE FIG. 1 FOR BALANCE OF BREAKDOWN)	REF	6	E
	206-031-500-158	DOOR ASSY, CREW, RH (NOTE 1) (SEE FIG. 1 FOR NHA) . . . (SEE FIG. 1 FOR BALANCE OF BREAKDOWN)	REF		H
	206-031-500-206	DOOR ASSY, CREW, RH (NOTE 1) (SEE FIG. 1 FOR NHA) . . . (SEE FIG. 1 FOR BALANCE OF BREAKDOWN)	REF		K
	206-031-500-232	DOOR ASSY, CREW, RH (NOTE 1) (SEE FIG. 1 FOR NHA) . . . (SEE FIG. 1 FOR BALANCE OF BREAKDOWN) (REPLACED BY 206-031-500-244)	REF		L
	206-031-500-244	DOOR ASSY, CREW, RH (NOTE 1) (SEE FIG. 1 FOR NHA) . . . (SEE FIG. 1 FOR BALANCE OF BREAKDOWN) (REPLACES 206-031-500-232)	REF		L
	206-031-500-250	DOOR ASSY, CREW, RH (NOTE 1) (SEE FIG. 1 FOR NHA) . . . (SEE FIG. 1 FOR BALANCE OF BREAKDOWN)	REF		M
1	MS20470AD4	.RIVET (USBL ON 206-031-500-059, -060, -121, -122, -141 AND -142)	4		B
1	MS20426AD4F	.RIVET (USBL ON 206-031-500-145, -146, -157, -158, -205, -206, -231, -232, -243, 244, -249 AND -250)	4		G

(1) INDEX NUMBER	(2) PART NUMBER	(3) ITEM NAME	(4) UNIT PER ASSY	(5) A V A I L	(6) U O C
		FIGURE: 52-2. Door assembly, crew (Cont'd)			
2	MS20470B4	.RIVET (USBL ON 206-031-500-059, -060, -121, -122, -141 AND -142)	2		B
2	MS20470AD4	.RIVET (USBL ON 206-031-500-145, -146, -157, -158, -205, -206, -231, -232, -243, -244, -249 AND -250)	2		G
3	206-031-502-001	.HINGE, UPPER, LH (USBL ON 206-031-500-059, -121 . . AND -141) (REPLACED BY 206-031-502-003)	1		B
3	206-031-502-003	.HINGE, UPPER, LH (REPLACES 206-031-502-001)	1	1	
3	206-031-502-002	.HINGE, UPPER, RH (USBL ON 206-031-500-060, -122 . . AND -142) (REPLACED BY 206-031-502-004)	1	0	B
3	206-031-502-004	.HINGE, UPPER, RH (REPLACES 206-031-502-002)	1	1	
4	206-031-500-153	.SHIM (USBL ON 206-031-500-145, -146, -157, -158, -205, -206, -231, -232, -243, -244, -249 AND -250)	1		G
5	206-031-503-001	.HINGE, LOWER, LH (USBL ON 206-031-500-059, -121 . . AND -141) (REPLACED BY 206-031-503-003)	1		B
5	206-031-503-003	.HINGE, LOWER, LH (REPLACES 206-031-503-001)	1		
5	206-031-503-002	.HINGE, LOWER, RH (USBL ON 206-031-500-060, -122 . . AND -142) (REPLACED BY 206-031-503-004)	1		B
5	206-031-503-004	.HINGE, LOWER, RH (REPLACES 206-031-503-002)	1		
6	206-031-500-153	.SHIM (USBL ON 206-031-500-145, -146, -157, -158, -205, -206, -231, -232, -243, -244, -249 AND -250)	1		G
7	MS20470B3	.RIVET	68		
8	140-001-11	.WASHER (USBL ON 206-031-500-059, -060, -101, -102, -121, -122, -141 AND -142)	68	1	B
9	206-031-500-055	.SEAL (NOTE 2) (USBL ON 206-031-500-059, -060, . . . -121, -122, -141, -142, -145 AND -146) (MAKE FROM 110-037-1)	1		D
9	110-037-1	.EXTRUSION-RUBBER (NOTE 2) (USBL ON 206-031-500-059, -060, -121, -122, -141, -142, -145 AND -146)	1		D
10	206-031-500-029	.SEAL (NOTE 2) (USBL ON 206-031-500-059, -060, . . . -121, -122, -141, -142, -145 AND -146) (MAKE FROM 110-004-2)	1		D
10	110-004-2	.EXTRUSION-RUBBER (NOTE 2) (USBL ON 206-031-500-059, -060, -121, -122, -141, -142, -145 AND -146)	1	1	D
11	206-031-500-227	.SEAL, LH (NOTE 2) (MAKE FROM 110-160-1)	1	6	D
11	110-160-1	.EXTRUSION-RUBBER, LH (NOTE 2)	1	1	D
11	206-031-500-228	.SEAL, RH (NOTE 2) (MAKE FROM 110-160-1)	1	6	D
11	110-160-1	.EXTRUSION-RUBBER, RH (NOTE 2)	1	1	D
12	206-031-500-101	.WINDOW ASSY, LH (AGUSTA CABIN) (USBL ON 206-031-500-059 AND -121)	1	1	B
12	206-031-500-147	.WINDOW ASSY, LH (BEECH CABIN) (USBL ON 206-031-500-141, -145, -157, -205, -231 AND -243)	1	1	CG
12	206-031-500-102	.WINDOW ASSY, RH (AGUSTA CABIN) (USBL ON 206-031-500-060 AND -122)	1	1	B

(1) INDEX NUMBER	(2) PART NUMBER	(3) ITEM NAME	(4) UNIT PER ASSY	(5) A V A I L	(6) U O C
		FIGURE: 52-2. Door assembly, crew (Cont'd)			
12	206-031-500-148	.WINDOW ASSY, RH (BEECH CABIN) (USBL ON 206-031-500-142, -146, -158, -206, -232 AND -244)	1	1	CG
13	206-031-500-109	..TRACK, KYDEK PLASTIC, LH	1	1	
13	206-031-500-110	..TRACK, KYDEK PLASTIC, RH	1	1	
14	206-031-500-113	..SEAL	1	1	
15	206-031-500-095	..SEAL	1	1	
16	206-031-500-117	..STIFFENER, LH	1	1	
16	206-031-500-118	..STIFFENER, RH	1	1	
		..WINDOW ASSY, SLIDING, LH	1		
		..WINDOW ASSY, SLIDING, RH	1		
17	90-003-30	...NUT (NOTE 3) (ALTERNATE PART)	4	1	
17	90-003-3	...NUT (NOTE 3)	4	1	
18	AN960PD10L	...WASHER (REPLACED BY AN960JD10L)	4		
18	AN960JD10L	...WASHER (REPLACES AN960PD10L) (REPLACED BY NAS1149D0332J)	4		
18	NAS1149D0332J	...WASHER (REPLACES AN960JD10L)	4		
19	MS27039-1-06	...SCREW	4	1	
20	206-031-500-151	...HANDLE	1	0	
21	206-031-500-105	...WINDOW, LH	1	1	
21	206-031-500-106	...WINDOW, RH	1	1	
21A	206-033-677-101	.WINDOW ASSY, WEDGE, LH (USBL ON 206-031-500-249)	1		M
21A	206-033-677-102	.WINDOW ASSY, WEDGE, RH (USBL ON 206-031-500-250)	1		M
21B	206-033-677-103	..WINDOW ASSY, SLIDE, LH	1		
21B	206-033-677-104	..WINDOW ASSY, SLIDE, RH	1		
21C	90-003-30	..NUT	4	1	
21D	NAS1149D0332J	..WASHER	4		
21E	MS27039-1-06	..SCREW	4	1	
21F	206-033-663-129	..HANDLE	1	1	
21G	206-033-677-121	..WINDOW, LH	1		
21G	206-033-677-122	..WINDOW, RH	1		
21H	206-033-677-123	..WINDOW	1		
21J	206-031-500-251	.SEAL	1		
22	AN509-8R8	.SCREW (REPLACED BY MS24694S5)	2		
22	MS24694S5	.SCREW (REPLACES AN509-8R8) (REPLACED BY MS24694-S5)	2		
22	MS24694-S5	.SCREW (REPLACES MS24694S5)	2	1	
23	AN509-8R8	.SCREW (USBL ON 206-031-500-059, -060, -121, -122, -141, -142, -145 AND -146) (REPLACED BY MS24694S5)	1		D
23	MS24694S5	.SCREW (USBL ON 206-031-500-059, -060, -121, -122, -141, -142, -145 AND -146) (REPLACES AN509-8R8) (REPLACED BY MS24694-S5)	1		D
23	MS24694-S5	.SCREW (USBL ON 206-031-500-059, -060, -121, -122, -141, -142, -145 AND -146) (REPLACES MS24694S5)	1	1	D

(1) INDEX NUMBER	(2) PART NUMBER	(3) ITEM NAME	(4) UNIT PER ASSY	(5) A V A I L	(6) U O C
FIGURE: 52-2. Door assembly, crew (Cont'd)					
23	MS24693-S53	.SCREW (USBL ON 206-031-500-157, -158, -205, -206, -231, -232, -243, -244, -249 AND -250)	1		JL
24	MS27039-0805	.SCREW (USBL ON 206-031-500-059, -060, -121, -122, -141, -142, -157, -158, -205 AND -206)	8	1	F
25	MS27039-0805	.SCREW (USBL ON 206-031-500-231, -232, -243, -244, -249 AND -250)	6	1	L
26	MS21042L08	.NUT (USBL ON 206-031-500-059, -060, -121, -122, . . -141, -142, -145 AND -146)	2	1	D
27	MS27039-0805	.SCREW (USBL ON 206-031-500-059, -060, -121, -122, -141, -142, -145 AND -146)	2	1	D
28	MS20392-1C13	.PIN (USBL ON 206-031-500-059, -060, -121, -122, . . -141, -142, -157, -158, -205 AND -206) (REPLACED BY MS20392-1S13)	2		F
28	MS20392-1S13	.PIN (USBL ON 206-031-500-059, -060, -121, -122, . . -141, -142, -157, -158, -205 AND -206) (REPLACES MS20392-1C13)	2	1	F
29	AN960JD4L	.WASHER (USBL ON 206-031-500-231, -232, -243, -244, -249 AND -250) (REPLACED BY NAS1149DN416J)	1	1	L
29	NAS1149DN416J	.WASHER (USBL ON 206-031-500-231, -232, -243, -244, -249 AND -250) (REPLACES AN960JD4L)	1	1	L
30	MS20392-1C11	.PIN (USBL ON 206-031-500-231, -232, -243, -244, . . -249 AND -250) (REPLACED BY MS20392-1S11)	1	1	L
30	MS20392-1S11	.PIN (USBL ON 206-031-500-231, -232, -243, -244, . . -249 AND -250) (REPLACES MS20392-1C11)	1	1	L
31	AN960JD4L	.WASHER (USBL ON 206-031-500-231, -232, -243, -244, -249 AND -250) (REPLACED BY NAS1149DN416J)	1	1	L
31	NAS1149DN416J	.WASHER (USBL ON 206-031-500-231, -232, -243, -244, -249 AND -250) (REPLACES AN960JD4L)	1	1	L
32	MS20392-1C9	.PIN (USBL ON 206-031-500-231, -232, -243, -244, . . -249 AND -250) (REPLACED BY MS20392-1S9)	1	1	L
32	MS20392-1S9	.PIN (USBL ON 206-031-500-231, -232, -243, -244, . . -249 AND -250) (REPLACES MS20392-1C9)	1		L
33	206-031-524-003	.LINK (USBL ON 206-031-500-059, -060, -121, -122, -141, -142, -145, -146, -157, -158, -205 AND -206)	1	1	F
34	206-031-622-105	.ROD ASSY (USBL ON 206-031-500-231, -232, -243, . . -244, -249 AND -250)	1	1	L
35	206-033-641-101	..CLEVIS (USBL ON 206-031-622-105)	1	1	
36	206-031-623-101	..CLEVIS (USBL ON 206-031-622-105)	1	1	
37	AN316-5R	..NUT (USBL ON 206-031-622-105)	1	1	
38	AN960JD516L	..WASHER (USBL ON 206-031-622-105) (REPLACED BY . . NAS1149D0516J)	1	1	
38	NAS1149D0516J	..WASHER (USBL ON 206-031-622-105) (REPLACES AN960JD516L)	1		
39	206-031-548-001	.HANDLE ASSY, LH (USBL ON 206-031-500-059, -121, . . -141 AND -145)	1	1	D
39	206-031-548-003	.HANDLE ASSY, RH (USBL ON 206-031-500-060, -122, . . -142 AND -146)	1	1	D
40	206-031-548-005	.HANDLE ASSY, LH (USBL ON 206-031-500-157 AND -205)	1	1	J

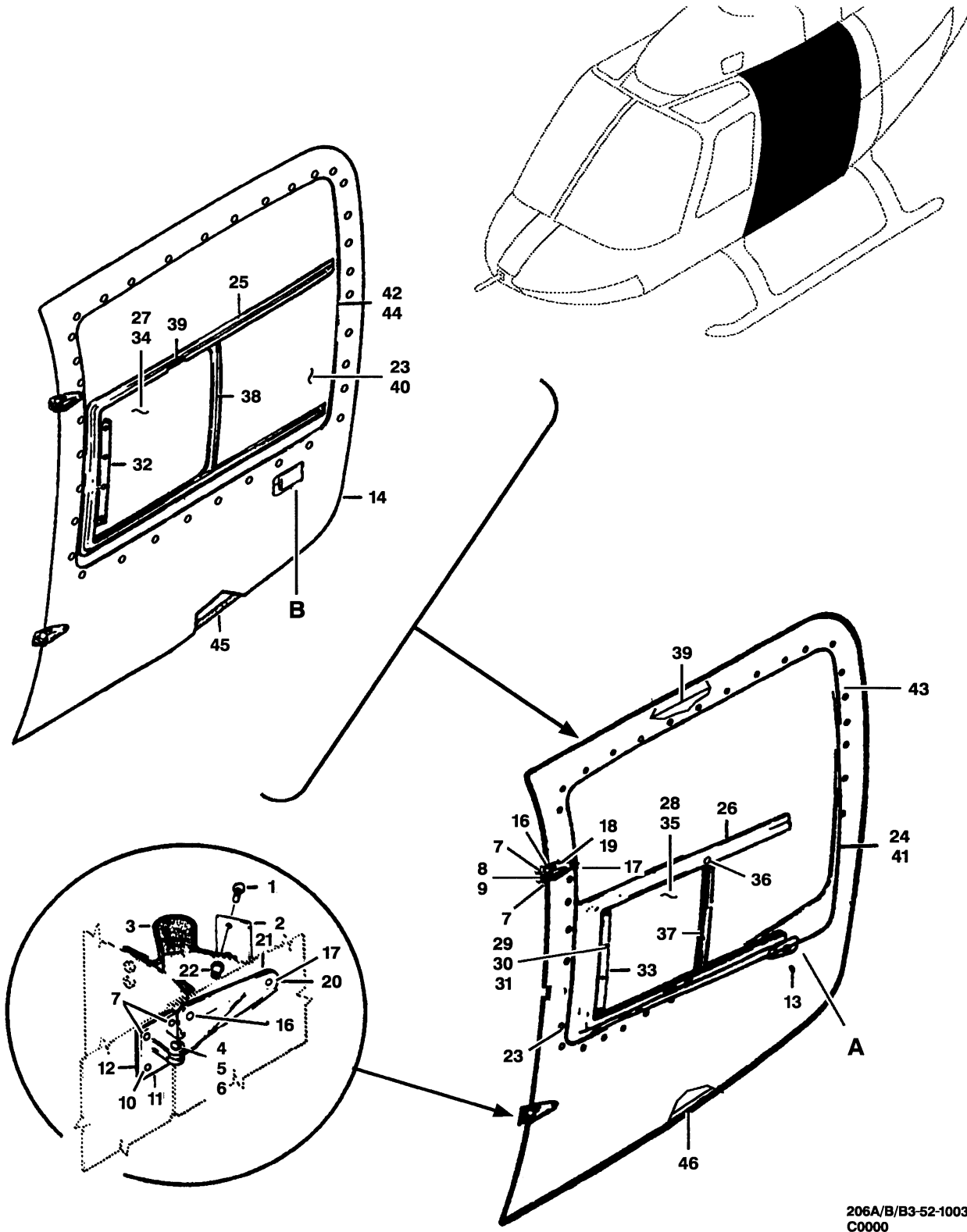
(1) INDEX NUMBER	(2) PART NUMBER	(3) ITEM NAME	(4) UNIT PER ASSY	(5) A V A I L	(6) U O C
		FIGURE: 52-2. Door assembly, crew (Cont'd)			
40	206-031-548-007	.HANDLE ASSY, RH (USBL ON 206-031-500-158 AND -206)	1	1	J
41	MS171529	..PIN (REPLACED BY NAS561C4-11)	2		
41	NAS561C4-11	..PIN (REPLACES MS171529)	2	1	
42	206-031-545-001	..LEVER	1	1	
43	120-045-22-12	..SHIM	1	1	
44	2483	..HANDLE (USBL ON 206-031-548-001 AND -003) (REPLACED BY 90-041-3)	1		D
44	90-041-3	..HANDLE (USBL ON 206-031-548-001 AND -003) (REPLACES 2483)	1	1	D
45	90-064-1	..HANDLE (USBL ON 206-031-548-005 AND -007)	1	1	J
46	2484-1	..SPINDLE, LH	1	1	
46	2484-3	..SPINDLE, RH	1	1	
47	206-031-549-001	..ESCUTCHEON ASSY	1	1	
48	22-009B28-22-22	..BUSHING	1	1	
49	206-031-565-001	.RECEPTACLE	1	1	
50	206-031-545-001	.LEVER (USBL ON 206-031-500-231, -232, -243, -244, -249 AND -250)	1	1	L
51	206-031-620-101	.HANDLE (USBL ON 206-031-500-231, -232, -243, -244, -249 AND -250)	1	1	L
52	206-031-621-101	.SPINDLE (USBL ON 206-031-500-231, -232, -243, -244, -249 AND -250)	1	1	L
53	206-031-565-001	.RECEPTACLE (USBL ON 206-031-500-231, -232, -243, -244, -249 AND -250)	1	1	L
54	206-031-500-049	.COVER, LH (USBL ON 206-031-500-069, -121, -141 AND -145)	1	1	D
54	206-031-500-050	.COVER, RH (USBL ON 206-031-500-060, -122, -142 AND -146)	1	1	D
55	206-031-500-183	.COVER, LH (USBL ON 206-031-500-157 AND -205)	1	1	J
55	206-031-500-184	.COVER, RH (USBL ON 206-031-500-158 AND -206)	1	1	J
56	206-031-500-233	.COVER, LH (USBL ON 206-031-500-231, -243 AND -249)	1	6	L
56	206-031-500-234	.COVER, RH (USBL ON 206-031-500-232, -244 AND -250)	1		L
57	NAS1068A08	.NUTPLATE (USBL ON 206-031-500-059, -060, -121, -122, -141, -142, -145, -146, -157, -158, -205 AND -206) (REPLACED BY MS21075L08N)	3	0	F
57	MS21075L08N	.NUTPLATE (USBL ON 206-031-500-059, -060, -121, -122, -141, -142, -157, -158, -205 AND -206) (REPLACES NAS1068A08)	3	1	F
58	MS21069L08	.NUTPLATE (USBL ON 206-031-500-231, -232, -243, -244, -249 AND -250)	3	1	L
59	MS21069L08	.NUTPLATE (USBL ON 206-031-500-059, -060, -121, -122, -141, -142, -145, -146, -157, -158, -205 AND -206)	8	1	F
60	NAS697A08	.NUTPLATE (USBL ON 206-031-500-059, -060, -121, -122, -141, -142, -145 AND -146) (REPLACED BY MS21069L08)	2	6	D

(1) INDEX NUMBER	(2) PART NUMBER	(3) ITEM NAME	(4) UNIT PER ASSY	(5) A V A I L	(6) U O C
FIGURE: 52-2. Door assembly, crew (Cont'd)					
60	MS21069L08	.NUTPLATE (USBL ON 206-031-500-059, -060, -121, . . . -122, -141, -142, -145 AND -146) (REPLACES NAS697A08)	2	1	D
61	MS21069L08	.NUTPLATE (USBL ON 206-031-500-231, -232, -243, . . . -244, -249 AND -250)	6	1	L
62	MS171527	.PIN (REPLACED BY NAS561C4-9)	2		
62	NAS561C4-9	.PIN (REPLACES MS171527)	2		
63	206-031-542-003	.HANDLE, LH (USBL ON 206-031-500-157 AND -205) . . . (REPLACES 206-031-542-101)	1		J
63	206-031-542-101	.HANDLE, LH (USBL ON 206-031-500-157 AND -205) . . . (REPLACES 206-031-542-003)	1	1	J
63	206-031-542-004	.HANDLE, RH (USBL ON 206-031-500-158 AND -206) . . . (REPLACES 206-031-542-102)	1		J
63	206-031-542-102	.HANDLE, RH (USBL ON 206-031-500-158 AND -206) . . . (REPLACES 206-031-542-004)	1	1	J
64	120-046-18-11	.SHIM (USBL ON 206-031-500-157, -158, -205 AND . . . -206)	2	1	J
65	NAS1190-06P4	.SCREW (USBL ON 206-031-500-231, -232, -243, -244, -249 AND -250)	2	1	JL
66	AN960JD6	.WASHER (USBL ON 206-031-500-231, -232, -243, -244, -249 AND -250) (REPLACES BY NAS1149DN632J)	2	1	JL
66	NAS1149DN632J	.WASHER (USBL ON 206-031-500-231, -232, -243, -244, -249 AND -250) (REPLACES AN960JD6)	2	1	JL
67	MS27039-0804	.SCREW (USBL ON 206-031-500-157, -158, -205 AND . . . -206)	4	1	J
68	140-009B11T32	.WASHER (USBL ON 206-031-500-157, -158, -205 AND . . . -206)	4	1	J
69	MS27039-0805	.SCREW (USBL ON 206-031-157, -158, -205, -206, -231, -232, -243 AND -244)	4	1	JL
70	140-009B11T32	.WASHER (USBL ON 206-031-500-157, -158, -205, -206, -231, -232, -243 AND -244)	4	1	JL
71	MS27039-0805	.SCREW (USBL ON 206-031-500-231, -232, -243, -244, -249 AND -250)	4	1	L
72	140-009B11T32	.WASHER (USBL ON 206-031-500-231, -232, -243, -244, -249 AND -250)	4	1	L
73	206-031-500-167	.SUPPORT (NOTE 4)	1		
74	206-031-500-168	.SUPPORT (NOTE 5)	1	6	
75	MS21042L08	.NUT (USBL ON 206-031-500-157, -158, -205, -206, . . . -231, -232, -243, -244, -249 AND -250)	4	1	JL
76	MS27039-0806	.SCREW (USBL ON 206-031-500-157, -158, -205, -206, -231, -232, -243, -244, -249 AND -250)	4	1	JL
77	MS27039-0805	.SCREW (USBL ON 206-031-500-157, -158, -205, -206, -231, -232, -243, -244, -249 AND -250)	2	1	JL
78	MS27039-0806	.SCREW (USBL ON 206-031-500-157, -158, -205, -206, -231, -232, -243, -244, -249 AND -250)	2	1	JL
79	140-022-1	.WASHER (USBL ON 206-031-500-157, -158, -205, -206, -231, -232, -243, -244, -249 AND -250)	2	1	JL
80	206-031-500-179	.RADIUS BLOCK (USBL ON 206-031-500-157, -158, -205, -206, -231, -232, -243, -244, -249 AND -250)	2		JL

FOR BEST VALUE, BUY GENUINE BELL PARTS

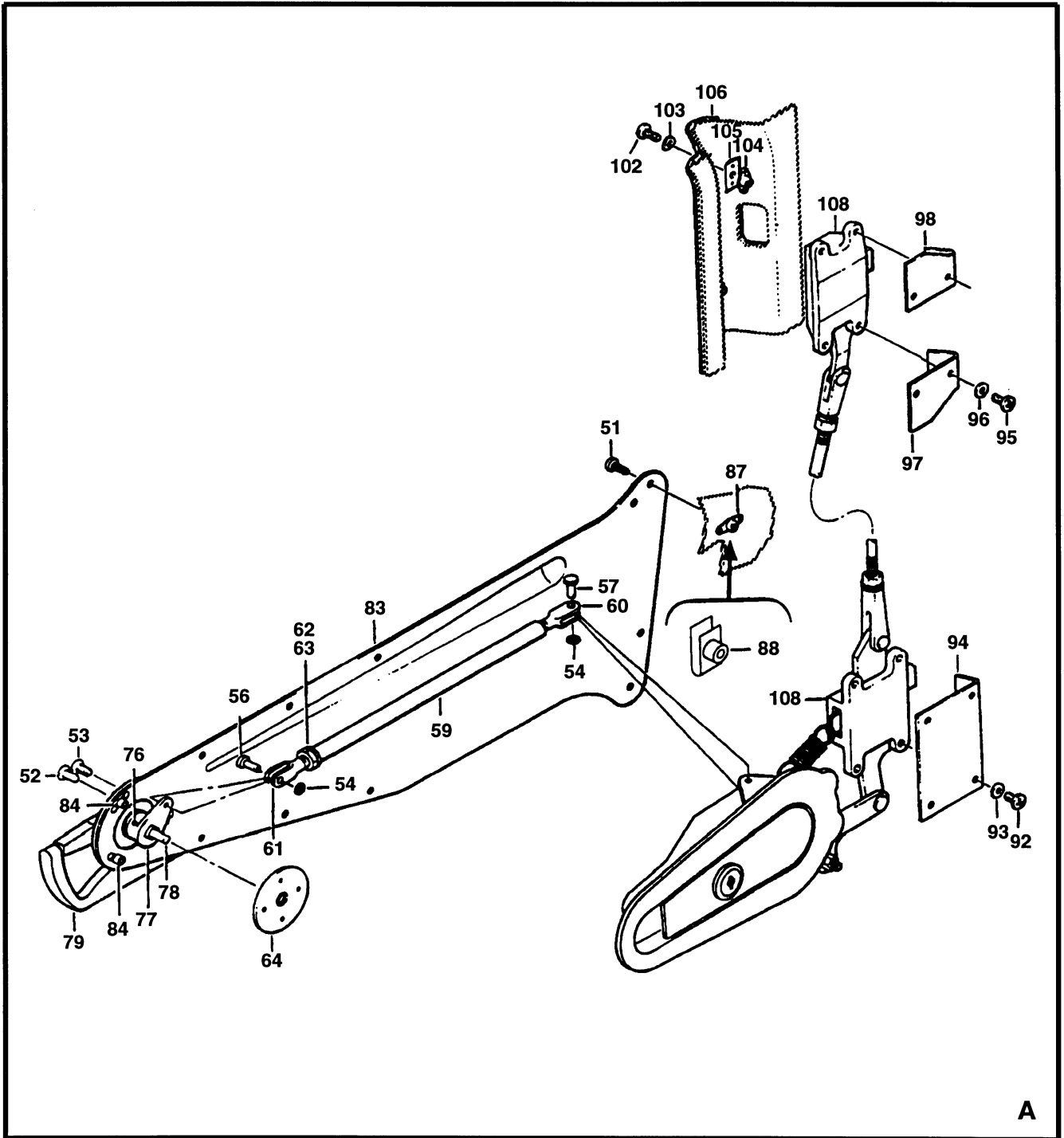
(1) INDEX NUMBER	(2) PART NUMBER	(3) ITEM NAME	(4) UNIT PER ASSY	(5) A V A I L	(6) U O C
FIGURE: 52-2. Door assembly, crew (Cont'd)					
80	206-031-500-181	.RADIUS BLOCK (USBL ON 206-031-500-157, -158, -205, -206, -231, -232, -243, -244, -249 AND -250)	2	0	JL
81	MS21069L08	.NUTPLATE (USBL ON 206-031-500-157, -158, -205, . . -206, -231, -232, -243, -244, -249 AND -250)	2	1	JL
82	206-031-500-165	.PANEL, LH (USBL ON 206-031-500-157 AND -205) (REPLACED BY 206-031-500-241)	1	0	J
82	206-031-500-241	.PANEL, RH (USBL ON 206-031-500-157 AND -206) (REPLACES 206-031-500-165)	1	6	J
82	206-031-500-245	.COVER, LH (USBL ON 206-031-500-231, -243 AND -249)	1		L
82	206-031-500-166	.PANEL, RH (USBL ON 206-031-500-158 AND -206) (REPLACED BY 206-031-500-242)	1	0	J
82	206-031-500-242	.PANEL, RH (USBL ON 206-031-500-158 AND -206) (REPLACES 206-031-500-166)	1	6	J
82	206-031-500-246	.COVER, RH (USBL ON 206-031-500-232, -244 AND -250)	1		L
83	206-031-546-003	.LATCH ASSY, LH (SEE FIG. 4 FOR BREAKDOWN) (USBL . . ON 206-031-500-059, -121, -141 AND -145)	1	1	D
83	206-031-546-004	.LATCH ASSY, RH (SEE FIG. 4 FOR BREAKDOWN) (USBL . . ON 206-031-500-060, -122, -142 AND -146)	1	0	D
84	3468-1	.LATCH ASSY, LH (NOTE 6) (USBL ON 206-031-500-157) (REPLACED BY 3468-3)	1	0	H
84	3468-3	.LATCH ASSY, LH (NOTE 6) (USBL ON 206-031-500-157) (REPLACES 3468-1)	1	0	H
84	3468-5	.LATCH ASSY, LH (NOTE 6) (USBL ON 206-031-500-205)	1	1	K
84	3468-6	.LATCH ASSY, RH (USBL ON 206-031-500-206)	1	1	K
85	3474-19	.LATCH ASSY, LH (NOTE 6) (USBL ON 206-031-500-231, -243 AND -249) (ALTERNATE PART)	1	1	L
85	20122-3	.LATCH ASSY, LH (NOTE 7) (USBL ON 206-031-500-231, -243 AND -249)	1	6	L
85	3474-20	.LATCH ASSY, RH (NOTE 6) (USBL ON 206-031-500-232, -244 AND -250) (ALTERNATE PART)	1	1	L
85	20122-4	.LATCH ASSY, LH (NOTE 7) (USBL ON 206-031-500-232, -244 AND -250)	1	6	L
NOTE 1: WHEN ORDERING SPARES SPECIFY HELICOPTER CABIN SERIAL NUMBER. THE CABIN SERIAL NUMBER PLACARD IS LOCATED ON THE LOWER RIGHT SIDE OF THE CONSOLE					
NOTE 2: 206-031-500-029 SEAL AND 206-031-500-055 SEAL AS A SET ARE REPLACED BY 206-031-500-227 SEAL FOR THE LH SIDE AND 206-031-500-228 SEAL FOR THE RH SIDE					

(1) INDEX NUMBER	(2) PART NUMBER	(3) ITEM NAME	(4) UNIT PER ASSY	(5) A V A I L	(6) U O C																																							
		<p>FIGURE: 52-2. Door assembly, crew (Cont'd)</p> <p>NOTE 3: DO NOT INTERMIX P/N 90-003-30 AND 90-003-3 NUTS</p> <p>NOTE 4: USED AS LOWER SUPPORT ON THE LH DOOR ASSY AND UPPER SUPPORT ON THE RH DOOR ASSY</p> <p>NOTE 5: USED AS LOWER SUPPORT ON THE RH DOOR ASSY AND UPPER SUPPORT ON THE LH DOOR ASSY</p> <p>NOTE 6: OBTAIN DETAIL PARTS FROM ADAMS-RITE MFG CO., GLENDALE CA.</p> <p>NOTE 7: OBTAIN DETAIL PARTS FROM SKYLOCK INDUSTRIES INC., MONROVIA, CA.</p> <p style="text-align: center;">USABLE ON CODES</p> <table border="0" style="width: 100%;"> <thead> <tr> <th style="text-align: left;">CODE</th> <th style="text-align: left;">MODEL</th> <th style="text-align: left;">SERIAL NUMBER</th> </tr> </thead> <tbody> <tr><td>A</td><td>206A</td><td>4-53</td></tr> <tr><td>B</td><td>206A</td><td>4-413</td></tr> <tr><td>C</td><td>206A</td><td>54-413</td></tr> <tr><td>D</td><td>206A/B</td><td>4-1750</td></tr> <tr><td>E</td><td>206A/B</td><td>414-1750</td></tr> <tr><td>F</td><td>206A/B/BIII</td><td>4-3566</td></tr> <tr><td>G</td><td>206A/B/BIII</td><td>414-SUB</td></tr> <tr><td>H</td><td>206B</td><td>1751-2211</td></tr> <tr><td>J</td><td>206B/BIII</td><td>1751-3566</td></tr> <tr><td>K</td><td>206BIII</td><td>2212-3566</td></tr> <tr><td>L</td><td>206BIII</td><td>3567-4399</td></tr> <tr><td>M</td><td>206BIII</td><td>4400-SUB</td></tr> </tbody> </table> <p>1) UNLESS A USABLE ON PART NUMBER IS LISTED IN THE ITEM NAME COLUMN; NO CODE INDICATES THE PART APPLIES TO ALL SERIAL NUMBERS.</p> <p>2) IF THE SERIAL NUMBER IS BLANK THE PART APPLIES TO ALL SERIAL NUMBERS FOR THAT MODEL.</p>	CODE	MODEL	SERIAL NUMBER	A	206A	4-53	B	206A	4-413	C	206A	54-413	D	206A/B	4-1750	E	206A/B	414-1750	F	206A/B/BIII	4-3566	G	206A/B/BIII	414-SUB	H	206B	1751-2211	J	206B/BIII	1751-3566	K	206BIII	2212-3566	L	206BIII	3567-4399	M	206BIII	4400-SUB			
CODE	MODEL	SERIAL NUMBER																																										
A	206A	4-53																																										
B	206A	4-413																																										
C	206A	54-413																																										
D	206A/B	4-1750																																										
E	206A/B	414-1750																																										
F	206A/B/BIII	4-3566																																										
G	206A/B/BIII	414-SUB																																										
H	206B	1751-2211																																										
J	206B/BIII	1751-3566																																										
K	206BIII	2212-3566																																										
L	206BIII	3567-4399																																										
M	206BIII	4400-SUB																																										



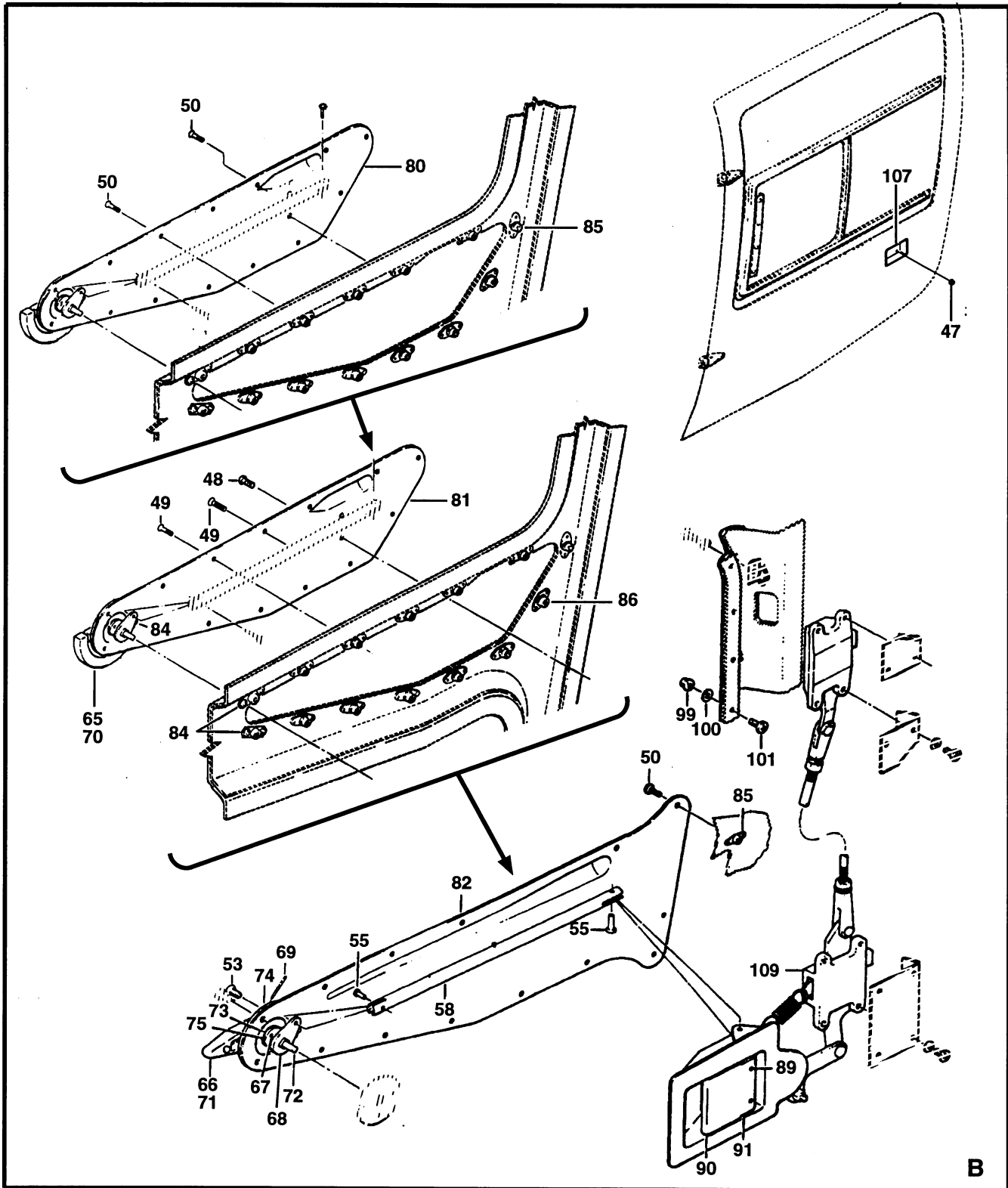
206A/B/B3-52-1003-1
C0000

Figure 52-3. Door installation, passenger (Sheet 1 of 3)



206A/B/B3-52-1003-2
C0000

Figure 52-3. Door installation, passenger (Sheet 2)



206A/B/B3-52-1003-3
C0000

Figure 52-3. Door installation, passenger (Sheet 3)

(1) INDEX NUMBER	(2) PART NUMBER	(3) ITEM NAME	(4) UNIT PER ASSY	(5) A V A I L	(6) U O C
		FIGURE: 52-3. Door installation, passenger			
	206-031-501-005	DOOR INSTL, PASSENGER, LH (AGUSTA CABIN)	1		
	206-031-501-007	DOOR INSTL, PASSENGER, LH (AGUSTA CABIN)	1		
	206-031-501-131	DOOR INSTL, PASSENGER, LH (BEECH CABIN)	1		
	206-031-501-125	DOOR INSTL, PASSENGER, LH (BEECH CABIN)	1		
	206-031-501-155	DOOR INSTL, PASSENGER, LH (REPLACED BY 206-031-501-203)	1		
	206-031-501-203	DOOR INSTL, PASSENGER, LH (REPLACES 206-031-501-155)	1		
	206-031-501-237	DOOR INSTL, PASSENGER, LH	1		
	206-031-501-006	DOOR INSTL, PASSENGER, RH (AGUSTA CABIN)	1		
	206-031-501-008	DOOR INSTL, PASSENGER, RH (AGUSTA CABIN)	1		
	206-031-501-132	DOOR INSTL, PASSENGER, RH (BEECH CABIN)	1		
	206-031-501-126	DOOR INSTL, PASSENGER, RH (BEECH CABIN)	1		
	206-031-501-156	DOOR INSTL, PASSENGER, RH (REPLACED BY 206-031-501-204)	1		
	206-031-501-204	DOOR INSTL, PASSENGER, RH (REPLACES 206-031-501-156)	1		
	206-031-501-238	DOOR INSTL, PASSENGER, RH	1		
1	NAS1190-3P10L	.SCREW	4		F
1	NAS1190-3P12	.SCREW	4		M
2	206-031-556-001	.RETAINER	2		
3	206-031-557-003	.STRAP, STOP, CABIN DOOR, OLIVE	1		D
3	206-031-557-007	.STRAP, STOP, CABIN DOOR, BLACK	1		J
3	206-031-624-103	.STRAP, STOP, CABIN DOOR, BLACK	1		M
4	NAS679A3	.NUT (REPLACED BY MS21042L3)	2		
4	MS21042L3	.NUT (REPLACES NAS679A3)	2		
5	AN960PD10L	.WASHER (REPLACED BY AN960JD10L)	2		
5	AN960JD10L	.WASHER (REPLACES AN960PD10L)	2		
6	AN23-10A	.BOLT	2		
7	NAS1738B4	.RIVET (REPLACED BY M7885/6-4)	6		
7	M7885/6-4	.RIVET (REPLACES NAS1738B4)	6		
8	206-031-535-001	.HINGE, CLEVIS, UPPER, LH (REPLACED BY 206-031-535-003)	1		B
8	206-031-535-003	.HINGE, CLEVIS, UPPER, LH (REPLACES 206-031-535-001)	1		
8	206-031-535-002	.HINGE, CLEVIS, UPPER, RH (REPLACED BY 206-031-535-004)	1		B
8	206-031-535-004	.HINGE, CLEVIS, UPPER, RH (REPLACES 206-031-535-002)	1		
9	206-031-573-003	.SHIM	1		G
10	NAS1738B5	.RIVET	2		
11	206-031-536-001	.HINGE, CLEVIS, LOWER, LH (REPLACED BY 206-031-536-003)	1		B
11	206-031-536-003	.HINGE, CLEVIS, LOWER, LH (REPLACES 206-031-536-001)	1		
11	206-031-536-002	.HINGE, CLEVIS, LOWER, LH (REPLACED BY 206-031-536-004)	1		B
11	206-031-536-004	.HINGE, CLEVIS, LOWER, RH (REPLACES 206-031-536-002)	1		
12	206-031-573-003	.SHIM	1		G

(1) INDEX NUMBER	(2) PART NUMBER	(3) ITEM NAME	(4) UNIT PER ASSY	(5) A V A I L	(6) U O C
		FIGURE: 52-3. Door installation, passenger (Cont'd)			
13	100-046S56A1	. PLUG BUTTON	1		
14	206-031-501-053	. DOOR ASSY, PASSENGER, LH (NOTE 1) (AGUSTA CABIN) . (USBL ON 206-031-501-005)	1		A
14	206-031-501-101	. DOOR ASSY, PASSENGER, LH (NOTE 1) (AGUSTA CABIN) . (USBL ON 206-031-501-007)	1		C
14	206-031-501-123	. DOOR ASSY, PASSENGER, LH (NOTE 1) (BEECH CABIN) . . (USBL ON 206-031-501-131)	1		C
14	206-031-501-127	. DOOR ASSY, PASSENGER, LH (NOTE 1) (BEECH CABIN) . . (USBL ON 206-031-501-125) (REPLACED BY 206-031-501-189)	1		E
14	206-031-501-189	. DOOR ASSY, PASSENGER, LH (NOTE 1) (BEECH CABIN) . . (USBL ON 206-031-501-125) (REPLACES 206-031-501-127)	1		E
14	206-031-501-157	. DOOR ASSY, PASSENGER, LH (NOTE 1) (USBL ON 206-031-501-155)	1		H
14	206-031-501-205	. DOOR ASSY, PASSENGER, LH (NOTE 1) (USBL ON 206-031-501-203)	1		J
14	206-031-501-054	. DOOR ASSY, PASSENGER, RH (NOTE 1) (AGUSTA CABIN) . (USBL ON 206-031-501-006)	1		A
14	206-031-501-102	. DOOR ASSY, PASSENGER, RH (NOTE 1) (AGUSTA CABIN) . (USBL ON 206-031-501-008)	1		C
14	206-031-501-124	. DOOR ASSY, PASSENGER, RH (NOTE 1) (BEECH CABIN) . . (USBL ON 206-031-501-132)	1		C
14	206-031-501-128	. DOOR ASSY, PASSENGER, RH (NOTE 1) (BEECH CABIN) . . (USBL ON 206-031-501-126) (REPLACED BY 206-031-501-190)	1		E
14	206-031-501-190	. DOOR ASSY, PASSENGER, RH (NOTE 1) (BEECH CABIN) . . (USBL ON 206-031-501-126) (REPLACES 206-031-501-128)	1		E
14	206-031-501-158	. DOOR ASSY, PASSENGER, RH (NOTE 1) (USBL ON 206-031-501-156)	1		H
14	206-031-501-206	. DOOR ASSY, PASSENGER, RH (NOTE 1) (USBL ON 206-031-501-204)	1		J
14	206-031-501-239	. DOOR ASSY, PASSENGER, LH (NOTE 1) (USBL ON 206-031-501-237) (REPLACED BY 206-031-501-247)	1		L
14	206-031-501-247	. DOOR ASSY, PASSENGER, LH (NOTE 1) (USBL ON 206-031-501-237) (REPLACES 206-031-501-239)	1		M
14	206-031-501-240	. DOOR ASSY, PASSENGER, RH (NOTE 1) (USBL ON 206-031-501-238) (REPLACED BY 206-031-501-248)	1		L
14	206-031-501-248	. DOOR ASSY, PASSENGER, RH (NOTE 1) (USBL ON 206-031-501-238) (REPLACES 206-031-501-240)	1		M
15	DELETED			
16	MS20426AD5	. . RIVET	4		
17	MS20470AD5	. . 70-010K	2		
18	206-031-538-001	. . HINGE HALF, UPPER, LH (USBL ON 206-031-501-053) (REPLACED BY 206-031-538-003)	1		A
18	206-031-538-003	. . HINGE HALF, UPPER, LH (REPLACES 206-031-538-001)	1		

(1) INDEX NUMBER	(2) PART NUMBER	(3) ITEM NAME	(4) UNIT PER ASSY	(5) A V A I L	(6) U O C
		FIGURE: 52-3. Door installation, passenger (Cont'd)			
18	206-031-538-002	..HINGE HALF, UPPER, RH (USBL ON 206-031-501-054) (REPLACED BY 206-031-538-004)	1		A
18	206-031-538-004	..HINGE HALF, UPPER, RH (REPLACES 206-031-538-002)	1		
19	206-031-501-139	..SHIM (USBL ON 206-031-501-127, -128, -157, -156, -189, -190, -205, -206, -239, -240, -247 AND -248)	1		G
20	206-031-537-001	..HINGE HALF, LOWER, LH (USBL ON 206-031-501-053) (REPLACED BY 206-031-537-003)	1		A
20	206-031-537-003	..HINGE HALF, LOWER, LH (REPLACES 206-031-537-001)	1		
20	206-031-537-002	..HINGE HALF, LOWER, RH (USBL ON 206-031-537-054) (REPLACED BY 206-031-537-004)	1		A
20	206-031-537-004	..HINGE HALF, LOWER, RH (REPLACES 206-031-537-002)	1		
21	206-031-501-139	..SHIM (USBL ON 206-031-501-127, -128, -157, -158, -189, -190, -205, -206, -239, -240, -247 AND -248)	1		G
22	NAS1329A3K80	..RIVNUT, BLIND	2		
23	206-031-501-085A	..WINDOW ASSY, LH (AGUSTA CABIN) (USBL ON 206-031-501-053 AND -101)	1		B
23	206-031-501-129	..WINDOW ASSY, LH (BEECH CABIN) (USBL ON 206-031-501-123, -127, -157, -189 AND -205)	1		EJ
23	206-031-501-086A	..WINDOW ASSY, RH (AGUSTA CABIN) (USBL ON 206-031-501-054 AND -102)	1		B
23	206-031-501-130	..WINDOW ASSY, RH (BEECH CABIN) (USBL ON 206-031-501-124, -128, -158, -190 AND -206)	1		EJ
24	206-031-625-101	..WINDOW ASSY, LH (USBL ON 206-031-501-239 AND . . . -247)	1		M
24	206-031-625-102	..WINDOW ASSY, RH (USBL ON 206-031-501-240 AND . . . -248)	1		M
25	206-031-501-093	...TRACK, LH (USBL ON 206-031-501-085A AND -129) . .	1		F
25	206-031-501-094	...TRACK, RH (USBL ON 206-031-501-086A AND -130) . .	1		F
26	206-031-625-115	...EDGING, LH (USBL ON 206-031-625-101)	1		M
26	206-031-625-116	...EDGING, RH (USBL ON 206-031-625-102)	1		M
27	206-031-501-087	..WINDOW ASSY, SLIDING, LH (USBL ON 206-031-501-085A AND -129)	1		F
27	206-031-501-088	..WINDOW ASSY, SLIDING, RH (USBL ON 206-031-501-086A AND -130)	1		F
28	206-033-663-117	..WINDOW ASSY, SLIDING, LH (USBL ON 206-031-625-101)	1		M
28	206-033-663-118	..WINDOW ASSY, SLIDING, RH (USBL ON 206-031-625-102)	1		M
29	90-003-30NUT (NOTE 2) (ALTERNATE PART)	4		
29	90-003-3NUT (NOTE 2)	4		
30	AN960PD10LWASHER (REPLACED BY AN960JD10L)	4		

(1) INDEX NUMBER	(2) PART NUMBER	(3) ITEM NAME	(4) UNIT PER ASSY	(5) A V A I L	(6) U O C
FIGURE: 52-3. Door installation, passenger (Cont'd)					
30	AN960JD10L	... WASHER (REPLACES AN960PD10L)	4		
31	MS27039-1-06	... SCREW	4		
32	206-031-501-079	... HANDLE (USBL ON 206-031-501-087 AND -088)	1		F
33	206-033-663-129	... HANDLE (USBL ON 206-033-663-117 AND -118)	1		M
34	206-031-501-089	... WINDOW, LH (USBL ON 206-031-501-087)	1		F
34	206-031-501-090	... WINDOW, RH (USBL ON 206-031-501-088)	1		F
35	206-033-663-119	... WINDOW, LH (USBL ON 206-033-663-117)	1		M
35	206-033-663-120	... WINDOW, RH (USBL ON 206-033-663-118)	1		M
36	206-033-663-121	... SEAL (USBL ON 206-033-663-117 AND -118)	1		M
37	206-033-663-123	... SEAL (USBL ON 206-033-663-117 AND -118)	1		M
38	206-031-500-095	... SEAL (USBL ON 206-031-501-085A, -086A, -129 . . . AND -130)	1		F
39	206-031-501-097	... SEAL (USBL ON 206-031-501-085A, -086A, -129 . . . AND -130)	1		F
40	206-031-501-091	... WINDOW, LH (AGUSTA CABIN FOR S/N 54-413) (USBL . ON 206-031-501-085A)	1		B
40	206-031-501-133	... WINDOW, LH (BEECH CABIN FOR S/N 54-413) (USBL . . ON 206-031-501-129)	1		EJ
40	206-031-501-092	... WINDOW, RH (AGUSTA CABIN FOR S/N 54-413) (USBL . ON 206-031-501-086A)	1		B
40	206-031-501-134	... WINDOW, RH (BEECH CABIN FOR S/N 54-413) (USBL . . ON 206-031-501-130)	1		EJ
41	206-033-663-131	... WINDOW, LH (USBL ON 206-031-625-101)	1		M
41	206-033-663-132	... WINDOW, RH (USBL ON 206-031-625-102)	1		M
42	206-031-501-099	... EDGING, LH (USBL ON 206-031-501-085A AND -129)	1		F
42	206-031-501-100	... EDGING, RH (USBL ON 206-031-501-086A AND -130)	1		F
43	206-031-625-117	... EDGING, LH (USBL ON 206-031-625-101)	1		M
43	206-031-625-118	... EDGING, RH (USBL ON 206-031-625-102)	1		M
44	206-031-501-049	... SEAL (MAKE FROM 110-037-1) (USBL ON 206-031-501-053 AND -054) (REPLACED BY 206-031-501-235)	1		A
44	110-037-1	... EXTRUSION-RUBBER (USBL ON 206-031-501-053 AND . . -054) (REPLACED BY 206-031-501-235)	1		A
45	206-031-501-051	... SEAL (MAKE FROM 110-037-1) (USBL ON 206-031-501-053 AND -054) (REPLACED BY 206-031-501-236)	1		A
45	110-037-1	... EXTRUSION-RUBBER (USBL ON 206-031-501-053 AND . . -054) (REPLACED BY 206-031-501-236)	1		A
46	206-031-501-201	... SEAL, LH (MAKE FROM 110-004-3) (USBL ON 206-031-501-157, -205, -239 AND -247) (REPLACED BY 206-031-501-235)	1		HK
46	110-004-3	... EXTRUSION, LH (USBL ON 206-031-501-157, -205, . . -239 AND -247) (REPLACED BY 206-031-501-235)	1		HK
46	206-031-501-235	... SEAL, LH (MAKE FROM 110-160-1) (REPLACES 206-031-501-049 AND -201)	1		
46	110-160-1	... EXTRUSION-RUBBER, LH (REPLACES 206-031-501-049 AND -201)	1		

(1) INDEX NUMBER	(2) PART NUMBER	(3) ITEM NAME	(4) UNIT PER ASSY	(5) A V A I L	(6) U O C
FIGURE: 52-3. Door installation, passenger (Cont'd)					
46	206-031-501-202	..SEAL, RH (MAKE FROM 110-004-3) (USBL ON 206-031-501-158, -206, -240 AND -248) (REPLACED BY 206-031-501-236)	1		HK
46	110-004-3	..EXTRUSION, RH (USBL ON 206-031-501-158, -206, . . -240 AND -248) (REPLACED BY 206-031-501-236)	1		HK
46	206-031-501-236	..SEAL, RH (MAKE FROM 110-160-1) (REPLACES 206-031-501-051 AND -202)	1		
46	110-160-1	..EXTRUSION-RUBBER, RH (REPLACES 206-031-501-051 AND -202)	1		
47	NAS679A08	..NUT (REPLACED BY MS21042L08) (USBL ON 206-031-501-053 AND -054)	2		A
47	MS21042L08	..NUT (REPLACES NAS679A08) (USBL ON 206-031-501-053 AND -054)	2		A
48	MS27039-0805	..SCREW (USBL ON 206-031-501-053 AND -054)	2		A
49	MS27039-0805	..SCREW (USBL ON 206-031-501-053, -054, -101, -102, -123, -124, -127, -128, -189 AND -190)	11		CE
50	MS27039-0805	..SCREW (USBL ON 206-031-501-053, -054, -157, -158, -205 AND -206)	12		AJ
51	MS27039-0805	..SCREW (USBL ON 206-031-501-239, -240, -247 AND . . -248)	10		M
52	AN509-8R8	..SCREW (REPLACED BY MS24694S5) (USBL ON 206-031-501-053, -054, -101, -102, -123, -124, -127, -128, -189 AND -190)	2		D
52	MS24694S5	..SCREW (REPLACES AN509-8R8) (USBL ON 206-031-501-053, -054, -101, -102, -123, -124, -127, -128, -189 AND -190)	2		D
52	NAS1202-2	..SCREW (USBL ON 206-031-501-157, -158, -205, -206, -239, -240, 247 AND -248)	2		JM
53	AN509-8R8	..SCREW (REPLACED BY MS24694S5) (USBL ON 206-031-501-053, -054, -101, -102, -123, -124, -127, -128, -189 AND -190)	1		D
53	MS24694S5	..SCREW (REPLACES AN509-8R8) (USBL ON 206-031-501-053, -054, -101, -102, -123, -124, -127, -128, -189 AND -190)	1		D
53	NAS1202-3	..SCREW (USBL ON 206-031-501-157, -158, -205 AND . . -206)	1		J
53	MS24693-S53	..SCREW (USBL ON 206-031-501-239, -240, -247 AND . . -248)	1		M
54	AN960JD4L	..WASHER (USBL ON 206-031-501-239, -240, -247 AND -248)	2		M
55	MS20392-1C13	..PIN (REPLACED BY MS20392-1S13) (USBL ON 206-031-501-053, -054, -101, -102, -123, -124, -127, -128, -157, -158, -189, -190, -205 AND -206)	2		F
55	MS20392-1S13	..PIN (REPLACES MS20392-1C13) (USBL ON 206-031-501-053, -054, -101, -102, -123, -124, -127, -128, -157, -158, -189, -190, -205 AND -206)	2		F
56	MS20392-1C11	..PIN (REPLACED BY MS20392-1S11) (USBL ON 206-031-501-239, -240, -247 AND -248)	1		M

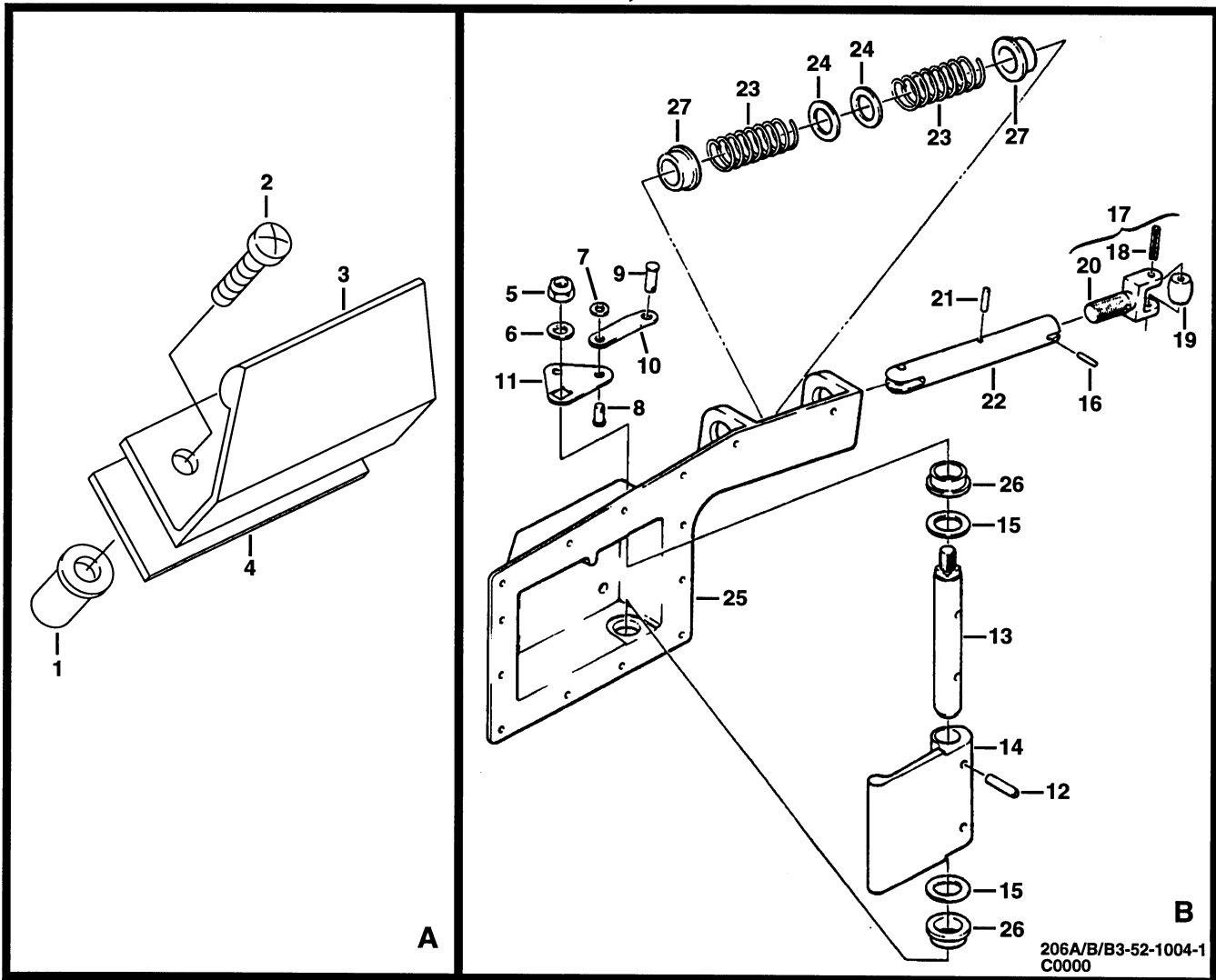
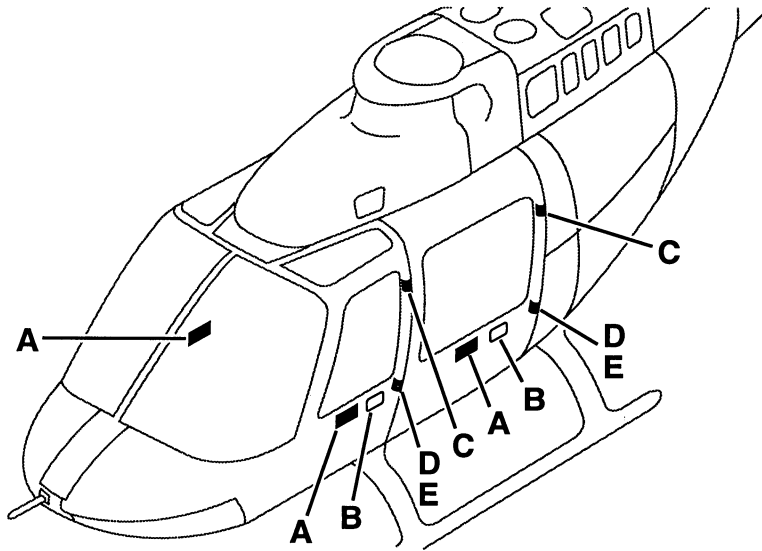
(1) INDEX NUMBER	(2) PART NUMBER	(3) ITEM NAME	(4) UNIT PER ASSY	(5) A V A I L	(6) U O C
FIGURE: 52-3. Door installation, passenger (Cont'd)					
56	MS20392-1S11	..PIN (REPLACES MS20392-1C11) (USBL ON 206-031-501-239, -240, -247 AND -248)	1		M
57	MS20392-1C9	..PIN (REPLACED BY MS20392-1S9) (USBL ON 206-031-501-239, -240, -247 AND -248)	1		M
57	MS20392-1S9	..PIN (REPLACES MS20392-1C9) (USBL ON 206-031-501-239, -240, -247 AND -248)	1		M
58	206-031-524-005	..LINK (USBL ON 206-031-501-053, -054, -101, -102, -123, -124, -127, -128, -157, -158, -189, -190, -205 AND -206)	1		F
59	206-031-622-103	..ROD ASSY (USBL ON 206-031-501-239, -240, -247 . . AND -248)	1		M
60	206-033-641-101	...CLEVIS	1		
61	206-031-623-101	...CLEVIS	1		
62	AN316-5R	...NUT	1		
63	AN960PD516L	...WASHER (REPLACED BY AN960JD516L)	1		
63	AN960JD516L	...WASHER (REPLACES AN960PD516L)	1		
64	206-031-565-001	..RECEPTACLE	1		
65	206-031-548-001	..HANDLE ASSY, LH (USBL ON 206-031-501-053, -101, -123, -127 AND -189)	1		D
65	206-031-548-003	..HANDLE ASSY, RH (USBL ON 206-031-501-054, -102, -124, -128 AND -190)	1		D
66	206-031-548-005	..HANDLE ASSY, LH (USBL ON 206-031-501-157 AND -205)	1		J
66	206-031-548-007	..HANDLE ASSY, RH (USBL ON 206-031-501-158 AND -206)	1		J
67	MS171529	...PIN (REPLACED BY NAS561C4-11)	1		
67	NAS561C4-11	...PIN (REPLACES MS171529)	1		
68	206-031-545-001	...LEVER	1		
69	MS171526	...PIN (REPLACED BY NAS561C4-8)	1		
69	NAS561C4-8	...PIN (REPLACES MS171526)	1		
70	2483	...HANDLE (USBL ON 206-031-501-053, -054, -101, -102, -123, -124, -127, -128, -189 AND -190) (REPLACED BY 90-041-3)	1		D
71	90-041-3	...HANDLE (REPLACES 2483)	1		
72	2484-1	...SPINDLE, LH	1		
72	2484-3	...SPINDLE, RH	1		
73	120-045-22-12	...SHIM	1		
74	206-031-549-001	...ESCUTCHEON ASSY	1		
75	22-009B28-22-22	...BUSHING	1		
76	MS171529	..PIN (REPLACED BY NAS561C4-11) (USBL ON 206-031-501-239, -240, -247 AND -248)	1		M
76	NAS561C4-11	..PIN (REPLACES MS171529) (USBL ON 206-031-501-239, -240, -247 AND -248)	1		M
77	206-031-545-001	..LEVER (USBL ON 206-031-501-239, -240, -247 AND -248)	1		M
78	206-031-621-101	..SPINDLE (USBL ON 206-031-501-239, -240, -247 AND -248)	1		M
79	206-031-620-101	..HANDLE (USBL ON 206-031-501-239, -240, -247 AND -248)	1		M
80	206-031-501-047	..COVER, LH (USBL ON 206-031-501-053)	1		A

(1) INDEX NUMBER	(2) PART NUMBER	(3) ITEM NAME	(4) UNIT PER ASSY	(5) A V A I L	(6) U O C
FIGURE: 52-3. Door installation, passenger (Cont'd)					
80	206-031-501-048	..COVER, RH (USBL ON 206-031-501-054)	1		A
81	206-031-501-103	..COVER, LH (USBL ON 206-031-501-101, -123, -127 . . AND -189)	1		CE
81	206-031-501-104	..COVER, RH (USBL ON 206-031-501-102, -124, -128 . . AND -190)	1		CE
82	206-031-501-171	..COVER, LH (USBL ON 206-031-501-157 AND -205) . . .	1		J
82	206-031-501-172	..COVER, RH (USBL ON 206-031-501-158 AND -206) . . .	1		J
83	206-031-501-241	..COVER, LH (USBL ON 206-031-501-239 AND -247) . . .	1		M
83	206-031-501-242	..COVER, RH (USBL ON 206-031-501-240 AND -248) . . .	1		M
84	NAS1068A08	..NUTPLATE (REPLACED BY MS21075L08) (USBL ON 206-031-501-053, -054, -101, -102, -123, -124, -124, -127, -128, -157, -158, -189, -190, -205 AND -206)	3		F
84	MS21075L08	..NUTPLATE (REPLACES NAS1068A08) (USBL ON 206-031-501-053, -054, -101, -102, -123, -124, -124, -127, -128, -157, -158, -189, -190, -205 AND -206)	3		F
85	NAS697A08	..NUTPLATE (REPLACED BY MS21069L08) (USBL ON 206-031-501-053, -054, -157, -158, -205 AND -206)	12		AJ
85	MS21069L08	..NUTPLATE (REPLACES NAS697A08) (USBL ON 206-031-501-053, -054, -157, -158, -205 AND -206)	12		AJ
86	NAS697A08	..NUTPLATE (REPLACED BY MS21069L08) (USBL ON 206-031-501-101, -102, -123, -124, -127, -128, -128, -189 AND -190)	11		CE
86	MS21069L08	..NUTPLATE (REPLACES NAS697A08) (USBL ON 206-031-501-101, -102, -123, -124, -127, -128, -128, -189 AND -190)	11		CE
87	MS21069L08	..NUTPLATE (USBL ON 206-031-501-239, -240, -247 . . AND -248) (REPLACED BY SL213-08-1)	10		M
88	SL213-08-1	..CLIPNUT (USBL ON 206-031-501-239, -240, -247 . . . AND -248) (REPLACES MS21069L08)	10		M
89	MS171527	..PIN (REPLACED BY NAS561C4-9) (USBL ON 206-031-501-157, -158, -205 AND -206)	2		J
89	NAS561C4-9	..PIN (REPLACES MS171527) (USBL ON 206-031-501-157, -158, -205 AND -206)	2		J
90	206-031-542-003	..HANDLE, LH (USBL ON 206-031-501-157 AND -205) . . (REPLACED BY 206-031-542-101)	1		J
90	206-031-542-101	..HANDLE, LH (USBL ON 206-031-501-157 AND -205) . . (REPLACES 206-031-542-003)	1		J
90	206-031-542-004	..HANDLE, RH (USBL ON 206-031-501-158 AND -206) . . (REPLACED BY 206-031-542-102)	1		J
90	206-031-542-102	..HANDLE, RH (USBL ON 206-031-501-158 AND -206) . . (REPLACES 206-031-542-004)	1		J
91	120-046-18-11	..SHIM (USBL ON 206-031-501-157, -158, -205 AND . . -206)	2		J
92	MS27039-0804	..SCREW (USBL ON 206-031-501-157 AND -158)	4		H
92	MS27039-0805	..SCREW (USBL ON 206-031-501-205, -206, -239, -240, -247 AND -248)	4		JM

(1) INDEX NUMBER	(2) PART NUMBER	(3) ITEM NAME	(4) UNIT PER ASSY	(5) A V A I L	(6) U O C
FIGURE: 52-3. Door installation, passenger (Cont'd)					
93	140-009B11T32	..WASHER (USBL ON 206-031-501-157, -158, -205, . . . -206, -239, -240, -247 AND -248)	4		JM
94	206-031-500-175	..CLIP (USBL ON 206-031-501-157, -158, -205, -206, -239, -240, -247 AND -248) (REPLACED BY 206-033-600-043)	1		JM
94	206-033-600-043	..CLIP (USBL ON 206-031-501-157, -158, -205, -206, -239, -240, -247 AND -248) (REPLACES 206-031-500-175)	1		JM
95	MS27039-0805	..SCREW (USBL ON 206-031-501-157, -158, -205, -206, -239, -240, -247 AND -248)	4		JM
96	140-009B11T32	..WASHER (USBL ON 206-031-501-157, -158, -205, -206, -239, -240, -247 AND -248)	4		JM
97	206-031-500-167	..SUPPORT (NOTE 3) (USBL ON 206-031-501-157, -158, -205, -206, -239, -240, -247 AND -248)	1		JM
98	206-031-500-168	..SUPPORT (NOTE 4) (USBL ON 206-031-501-157, -158, -205, -206, -239, -240, -247 AND -248)	1		JM
99	MS21042L08	..NUT (USBL ON 206-031-501-157, -158, -205 AND -206)	4		J
100	AN960PD8L	..WASHER (REPLACED BY AN960JD8L) (USBL ON 206-031-501-157, -158, -205 AND -206)	4		J
100	AN960JD8L	..WASHER (REPLACES AN960PD8L) (USBL ON 206-031-501-157, -158, -205 AND -206)	4		J
101	MS27039-0805	..SCREW (USBL ON 206-031-501-157, -158, -205 AND -206)	4		J
102	MS27039-0805	..SCREW (USBL ON 206-031-501-157, -158, -205, -206, -239, -240, -247 AND -248)	2		JM
103	140-022-1	..WASHER (USBL ON 206-031-501-157, -158, -205, -206, -239, -240, -247 AND -248)	2		JM
104	MS21069L08	..NUTPLATE (USBL ON 206-031-501-157, -158, -205, -206, -239, -240, -247 AND -248)	2		JM
105	206-031-501-181	..SPACER (USBL ON 206-031-501-157, -158, -205 AND -206)	1		J
106	206-031-501-161	..PANEL, LH (USBL ON 206-031-501-157 AND -205) (REPLACED BY 206-031-501-199)	1		J
106	206-031-501-199	..PANEL, LH (USBL ON 206-031-501-157, -205 AND -239) (REPLACES 206-031-501-161)	1		JL
106	206-031-501-249	..PANEL, LH (USBL ON 206-031-501-247)	1		M
106	206-031-501-162	..PANEL, RH (USBL ON 206-031-501-158 AND -206) (REPLACED BY 206-031-501-200)	1		J
106	206-031-501-200	..PANEL, RH (USBL ON 206-031-501-158, -206 AND -240) (REPLACES 206-031-501-162)	1		JL
106	206-031-501-250	..PANEL, RH (USBL ON 206-031-501-248)	1		M
107	206-031-546-003	..LATCH ASSY, LH (SEE FIG. 4 FOR BREAKDOWN) (USBL ON 206-031-501-053, -101, -123, -127 AND -189)	1		D
107	206-031-546-004	..LATCH ASSY, RH (SEE FIG. 4 FOR BREAKDOWN) (USBL ON 206-031-501-054, -102, -124, -128 AND -190)	1		D
108	3468-1	..LATCH ASSY, LH (NOTE 5) (USBL ON 206-031-501-157) (REPLACED BY 3468-3)	1		H
108	3468-3	..LATCH ASSY, LH (NOTE 5) (USBL ON 206-031-501-157) (REPLACES 3468-1)	1		H

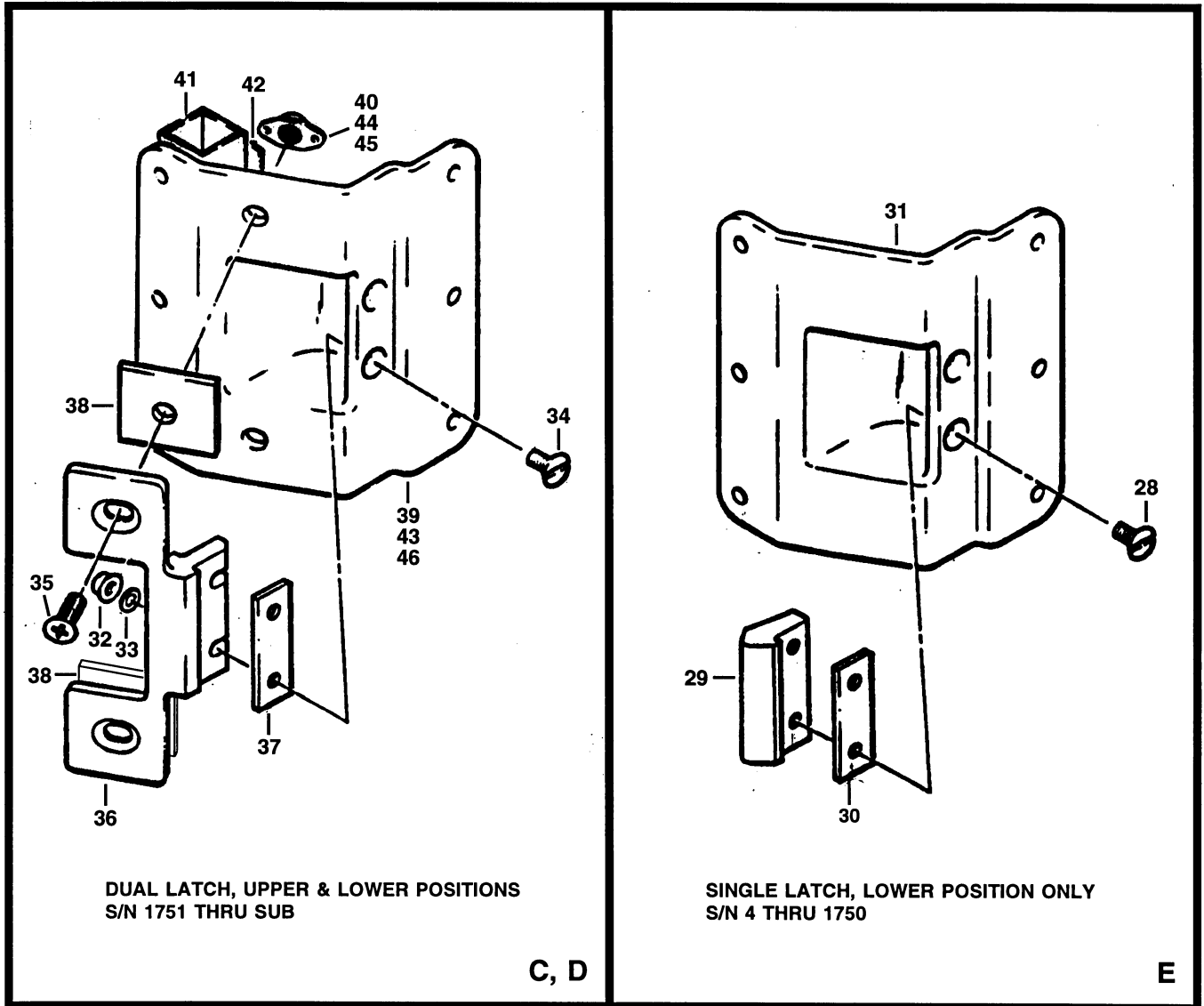
(1) INDEX NUMBER	(2) PART NUMBER	(3) ITEM NAME	(4) UNIT PER ASSY	(5) A V A I L	(6) U O C
		FIGURE: 52-3. Door installation, passenger (Cont'd)			
108	3468-2	..LATCH ASSY, RH (NOTE 5) (USBL ON 206-031-501-158) (REPLACED BY 3468-4)	1		H
108	3468-4	..LATCH ASSY, RH (NOTE 5) (USBL ON 206-031-501-158) (REPLACES 3468-2)	1		H
108	3468-5	..LATCH ASSY, LH (NOTE 5) (USBL ON 206-031-501-205)	1		J
108	3468-6	..LATCH ASSY, RH (NOTE 5) (USBL ON 206-031-501-206)	1		J
108	3474-19	..LATCH ASSY, LH (NOTE 5) (USBL ON 206-031-501-239 AND -247) (ALTERNATE PART)	1		JM
108	20122-3	..LATCH ASSY, LH (NOTE 6) (USBL ON 206-031-501-239 AND -247)	1		JM
108	3474-20	..LATCH ASSY, RH (NOTE 5) (USBL ON 206-031-501-240 AND -248) (REPLACES 3468-6) (ALTERNATE PART)	1		JM
108	20122-4	..LATCH ASSY, RH (NOTE 6) (USBL ON 206-031-501-240 AND -248)	1		JM
		NOTE 1: WHEN ORDERING SPARES SPECIFY HELICOPTER CABIN SERIAL NUMBER. THE CABIN SERIAL NUMBER PLACARD IS LOCATED ON THE LOWER RIGHT SIDE OF THE CONSOLE			
		NOTE 2: DO NOT INTERMIX NUTS P/N 90-003-30 AND 90-003-3			
		NOTE 3: USED AS LOWER SUPPORT ON LH DOOR ASSY AND UPPER SUPPORT ON RH DOOR ASSY			
		NOTE 4: USED AS LOWER SUPPORT ON RH DOOR ASSY AND UPPER SUPPORT ON LH DOOR ASSY			
		NOTE 5: OBTAIN DETAIL PARTS FROM ADAMS-RITE MFG CO., GLENDALE CALIFORNIA			
		NOTE 6: OBTAIN DETAIL PARTS FROM SKYLOCK INDUSTRIES INC., MONROVIA, CA 91016			

(1) INDEX NUMBER	(2) PART NUMBER	(3) ITEM NAME	(4) UNIT PER ASSY	(5) A V A I L	(6) U O C																																							
		<p>FIGURE: 52-3. Door installation, passenger (Cont'd)</p> <p style="text-align: center;">USABLE ON CODES</p> <table border="0" style="width: 100%;"> <thead> <tr> <th style="text-align: left;">CODE</th> <th style="text-align: left;">MODEL</th> <th style="text-align: left;">SERIAL NUMBER</th> </tr> </thead> <tbody> <tr><td>A</td><td>206A</td><td>4-53</td></tr> <tr><td>B</td><td>206A</td><td>4-413</td></tr> <tr><td>C</td><td>206A</td><td>54-413</td></tr> <tr><td>D</td><td>206A/B</td><td>4-1750</td></tr> <tr><td>E</td><td>206A/B</td><td>414-1750</td></tr> <tr><td>F</td><td>206A/B/BIII</td><td>4-3566</td></tr> <tr><td>G</td><td>206A/B/BIII</td><td>414-SUB</td></tr> <tr><td>H</td><td>206B</td><td>1751-2211</td></tr> <tr><td>J</td><td>206B/BIII</td><td>1751-3566</td></tr> <tr><td>K</td><td>206BIII</td><td>2212-3566</td></tr> <tr><td>L</td><td>206BIII</td><td>3567-4181</td></tr> <tr><td>M</td><td>206BIII</td><td>3567-SUB</td></tr> </tbody> </table> <p>1) UNLESS A USABLE ON PART NUMBER IS LISTED IN THE ITEM NAME COLUMN; NO CODE INDICATES THE PART APPLIES TO ALL SERIAL NUMBERS.</p> <p>2) IF THE SERIAL NUMBER IS BLANK THE PART APPLIES TO ALL SERIAL NUMBERS FOR THAT MODEL.</p>	CODE	MODEL	SERIAL NUMBER	A	206A	4-53	B	206A	4-413	C	206A	54-413	D	206A/B	4-1750	E	206A/B	414-1750	F	206A/B/BIII	4-3566	G	206A/B/BIII	414-SUB	H	206B	1751-2211	J	206B/BIII	1751-3566	K	206BIII	2212-3566	L	206BIII	3567-4181	M	206BIII	3567-SUB			
CODE	MODEL	SERIAL NUMBER																																										
A	206A	4-53																																										
B	206A	4-413																																										
C	206A	54-413																																										
D	206A/B	4-1750																																										
E	206A/B	414-1750																																										
F	206A/B/BIII	4-3566																																										
G	206A/B/BIII	414-SUB																																										
H	206B	1751-2211																																										
J	206B/BIII	1751-3566																																										
K	206BIII	2212-3566																																										
L	206BIII	3567-4181																																										
M	206BIII	3567-SUB																																										



206A/B/B3-52-1004-1
C0000

Figure 52-4. Handle installation (1751-3566); latch assembly (4-1750) and housing installation, striker, crew and passenger doors (Sheet 1 of 2)



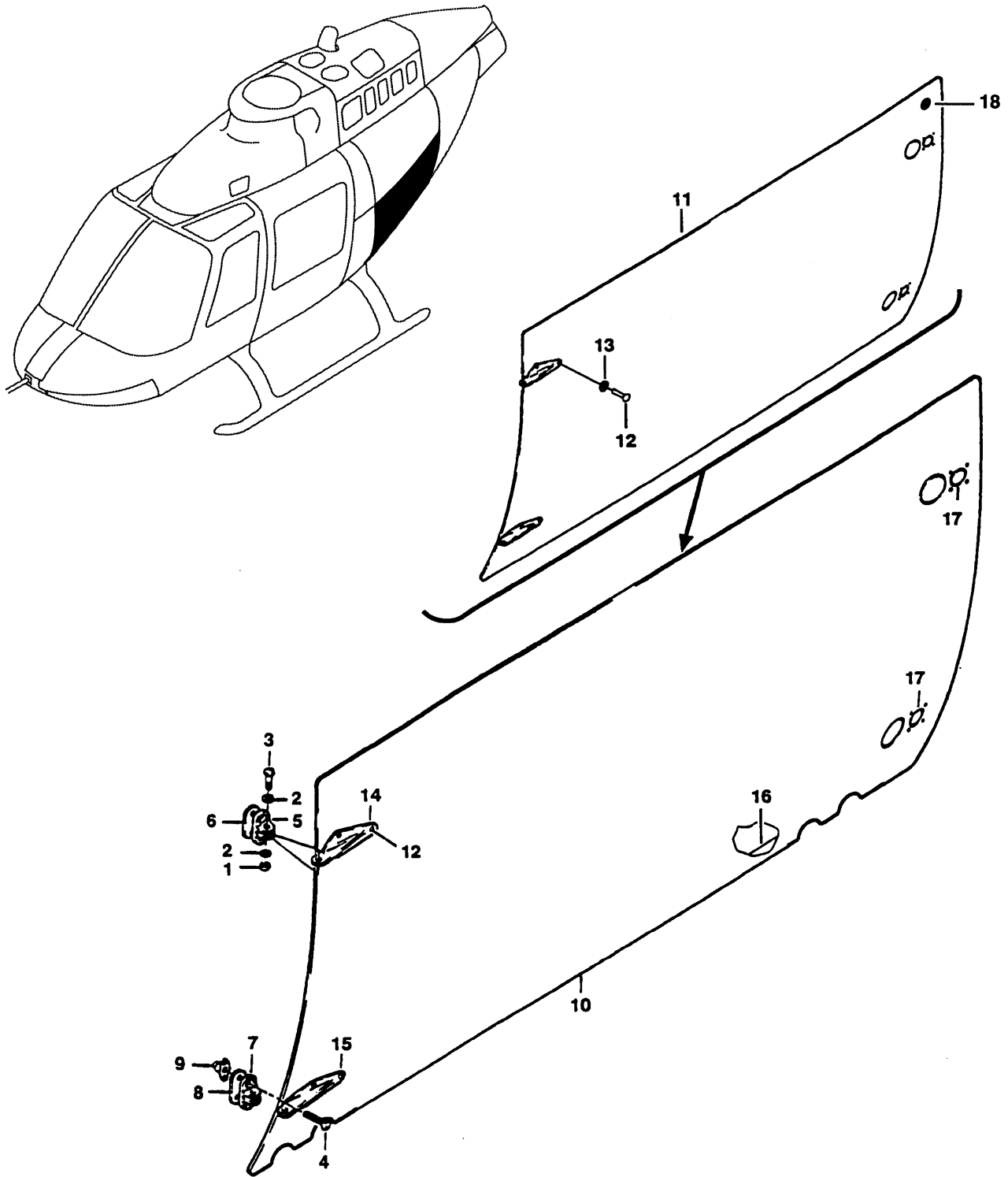
206A/B/B3-52-1004-2
C0000

Figure 52-4. Handle installation (1751-3566); latch assembly (4-1750) and housing installation, striker, crew and passenger doors (Sheet 2)

(1) INDEX NUMBER	(2) PART NUMBER	(3) ITEM NAME	(4) UNIT PER ASSY	(5) A V A I L	(6) U O C
		FIGURE: 52-4. Handle installation (1751-3566); latch assembly (4-1750) and housing installation, striker, crew and passenger doors			
	206-072-582-001	HANDLE INSTL	1		
1	NAS1330A06K106	.NUT	12		B
2	MS35206-228	.SCREW	12		B
3	206-072-581-001	.HANDLE	4		B
4	206-072-581-003	.BASE	4		B
	206-031-546-003	LATCH ASSY, CREW AND PASSENGER DOORS, LH (SEE FIG. 2, 3 FOR NHA) (USBL ON 206-031-500-059, -121, -141, -145, 206-031-501-053, -101, -123, -127 AND -189)	REF		A
	206-031-546-004	LATCH ASSY, CREW AND PASSENGER DOORS, RH (SEE FIG. 2, 3 FOR NHA) (USBL ON 206-031-500-060, -122, -142, -146, 206-031-501-054, -102, -124, -127 AND -190)	REF		A
5	NAS679A3	.NUT (REPLACED BY MS21042L3)	1		
5	MS21042L3	.NUT (REPLACES NAS679A3)	1		
6	AN960-10L	.WASHER	1		
7	AN960-4L	.WASHER	1		
8	MS20392-1C9	.PIN (REPLACED BY MS20392-1S9)	1		
8	MS20392-1S9	.PIN (REPLACES MS20392-1C9)	1		
9	MS20392-1C13	.PIN (REPLACED BY MS20392-1S13)	1		
9	MS20392-1S13	.PIN (REPLACES MS20392-1C13)	1		
10	206-031-522-003	.LINK	1		
11	206-031-552-001	.BELLCRANK	1		
12	MS171527	.PIN (REPLACED BY NAS561C4-9)	2		
12	NAS561C4-9	.PIN (REPLACES MS171527)	2		
13	206-031-543-003	.SHAFT	1		
14	206-031-542-003	.HANDLE, LH (REPLACED BY 206-031-542-101)	1		
14	206-031-542-101	.HANDLE, LH (REPLACES 206-031-542-003)	1		
14	206-031-542-004	.HANDLE, RH (REPLACED BY 206-031-542-102)	1		
14	206-031-542-102	.HANDLE, RH (REPLACES 206-031-542-004)	1		
15	120-046-18-11	.SHIM	2		
16	MS171434	.PIN (REPLACED BY NAS561C2-6)	1		
16	NAS561C2-6	.PIN (REPLACES MS171434)	1		
17	204-030-499-001	.ROLLER ASSY (REPLACED BY 204-030-499-005)	1		
17	204-030-499-005	.ROLLER ASSY (REPLACES 204-030-499-001)	1		
18	MS9048-102	.PIN (REPLACED BY NAS561P4-10)	1		
18	NAS561P4-10	.PIN (REPLACES MS9048-102)	1		
19	204-030-501-001	.ROLLER	1		
20	204-030-499-003	.YOKE (USBL ON 204-030-499-001)	1		
20	204-030-499-007	.YOKE (USBL ON 204-030-499-005)	1		
21	MS171498	.PIN (REPLACED BY NAS561C3-10)	1		
21	NAS561C3-10	.PIN (REPLACES MS171498)	1		
22	206-031-551-001	.PLUNGER	1		
23	206-031-547-001	.SPRING	2		
24	AN960-616L	.WASHER	2		
25	206-031-563-001	.HOUSING ASSY, LH	1		
25	206-031-563-002	.HOUSING ASSY, RH	1		
26	22-007B19-12-18	.BUSHING	2		

(1) INDEX NUMBER	(2) PART NUMBER	(3) ITEM NAME	(4) UNIT PER ASSY	(5) A V A I L	(6) U O C
		FIGURE: 52-4. Handle installation (1751-3566); latch assembly (4-1750) and housing installation, striker, crew and passenger doors (Cont'd)			
27	22-008B23-16-20	. . BUSHING	2		
	206-031-534-001	HOUSING INSTL, STRIKER, CREW DOOR, LOWER, LH	1		
	206-031-534-002	HOUSING INSTL, STRIKER, CREW DOOR, LOWER, RH	1		
	206-031-530-001	HOUSING INSTL, STRIKER, PASSENGER DOOR, LOWER,	1		
		LH			
	206-031-530-002	HOUSING INSTL, STRIKER, PASSENGER DOOR, LOWER,	1		
		RH			
28	AN507-640-4	.SCREW (REPLACED BY MS24693S224)	2		A
28	MS24693S224	.SCREW (REPLACES AN507-640-4)	2		A
29	206-031-532-001	.STRIKER	1		A
30	206-031-533-001	.SHIM	1		A
31	206-031-531-001	.HOUSING (REPLACED BY 206-031-531-003)	1		A
31	206-031-531-003	.HOUSING (REPLACES 206-031-531-001)	1		A
	206-031-595-001	HOUSING INSTL, STRIKER, CREW DOOR, UPPER, LH	1		
	206-031-595-002	HOUSING INSTL, STRIKER, CREW DOOR, UPPER, RH	1		
	206-031-595-101	HOUSING INSTL, STRIKER, CREW DOOR, UPPER, LH AND	2		
		RH			
	206-031-598-001	HOUSING INSTL, STRIKER, CREW DOOR, LOWER, LH	1		
	206-031-598-002	HOUSING INSTL, STRIKER, CREW DOOR, LOWER, RH	1		
	206-031-598-101	HOUSING INSTL, STRIKER, CREW DOOR, LOWER, LH AND	2		
		RH			
	206-031-596-001	HOUSING INSTL, STRIKER, PASSENGER DOOR, UPPER,	1		
		LH			
	206-031-596-002	HOUSING INSTL, STRIKER, PASSENGER DOOR, UPPER,	1		
		RH			
	206-031-596-101	HOUSING INSTL, STRIKER, PASSENGER DOOR, UPPER,	2		
		LH AND RH			
	206-031-599-001	HOUSING INSTL, STRIKER, PASSENGER DOOR, LOWER,	1		
		LH			
	206-031-599-002	HOUSING INSTL, STRIKER, PASSENGER DOOR, LOWER,	1		
		RH			
	206-031-599-101	HOUSING INSTL, STRIKER, PASSENGER DOOR, LOWER,	2		
		LH AND RH			
32	MS21042L06	.NUT	2		E
33	140-009B10S18	.WASHER	2		E
34	MS24693-S29	.SCREW	2		E
35	MS24693-S26	.SCREW	2		E
36	206-031-597-003	.STRIKER (NOTE 1)	1		E
		(ALTERNATE PARTS)			
36	61517-3	.STRIKER	1		E
36	206-031-597-001	.STRIKER (NOTE 1)	1		E
37	206-031-533-003	.SHIM	1		E
38	206-031-533-005	.SHIM	2		E
39	206-031-531-005	.HOUSING (USBL ON 206-031-595-001, -002,	1		C
		206-031-596-001, - 002, 206-031-598-001, -002,			
		206-031-599-001 AND -002) (REPLACED BY			
		206-031-531-007)			

(1) INDEX NUMBER	(2) PART NUMBER	(3) ITEM NAME	(4) UNIT PER ASSY	(5) A V A I L	(6) U O C
		FIGURE: 52-4. Handle installation (1751-3566); latch assembly (4-1750) and housing installation, striker, crew and passenger doors (Cont'd)			
39	206-031-531-007	.HOUSING (USBL ON 206-031-595-001, -002, 206-031-596-001, -002, 206-031-598-001, -002, 206-031-599-001 AND -002) (REPLACES 206-031-531-005)	1		C
40	MS21075-L06	.NUTPLATE	2		E
41	206-031-596-003	.SPACER (USBL ON 206-031-596-001, -002 AND -101) . .	1		E
42	206-031-596-005	.SHIM (USBL ON 206-031-596-001, -002 AND -101) . . .	1		E
	206-031-112-299	FRAME INSTL, CREW DOOR, LH (SEE FIG. 6 FOR BALANCE . OF BREAKDOWN)	REF		
	206-031-112-300	FRAME INSTL, CREW DOOR, RH (SEE FIG. 6 FOR BALANCE . OF BREAKDOWN)	REF		
	206-031-112-301	.FRAME ASSY, CREW DOOR, LH (SEE FIG. 6 FOR BALANCE . OF BREAKDOWN)	REF		
	206-031-112-302	.FRAME ASSY, CREW DOOR, RH (SEE FIG. 6 FOR BALANCE . OF BREAKDOWN)	REF		
43	206-031-531-005	..HOUSING	2		E
44	MS21059L06	..NUTPLATE	4		E
	206-031-123-113	FRAME INSTL, PASSENGER DOOR, LH (SEE FIG. 6 FOR . . . BALANCE OF BREAKDOWN)	REF		
	206-031-123-114	FRAME INSTL, PASSENGER DOOR, RH (SEE FIG. 6 FOR . . . BALANCE OF BREAKDOWN)	REF		
45	MS21075L06	.NUTPLATE (REPLACED BY MS21075L06N)	4		E
45	MS21075L06N	.NUTPLATE (REPLACES MS21075L06)	4		E
	206-031-123-115	.FRAME ASSY, DOOR, LH (SEE FIG. 6 FOR BALANCE OF . . . BREAKDOWN)	REF		
	206-031-123-116	.FRAME ASSY, DOOR, RH (SEE FIG. 6 FOR BALANCE OF . . . BREAKDOWN)	REF		
	206-031-123-125	..FRAME	1		
	206-031-123-127	..FRAME	1		
46	206-031-531-005	...HOUSING	2		E
		NOTE 1: TO OBTIAN CORRECT LATCH ENGAGEMENT USE 206-031-597-001			
		USABLE ON CODES			
		CODE MODEL SERIAL NUMBER			
		A 206A/B 4-1750			
		B 206B/BIII 1751-3566			
		C 206B/BIII 1751-4359			
		D 206B/BIII 1751-SUB			
		E 206BIII 4360-SUB			
		1) UNLESS A USABLE ON PART NUMBER IS LISTED IN THE ITEM NAME COLUMN; NO CODE INDICATES THE PART APPLIES TO ALL SERIAL NUMBERS.			
		2) IF THE SERIAL NUMBER IS BLANK THE PART APPLIES TO ALL SERIAL NUMBERS FOR THAT MODEL.			

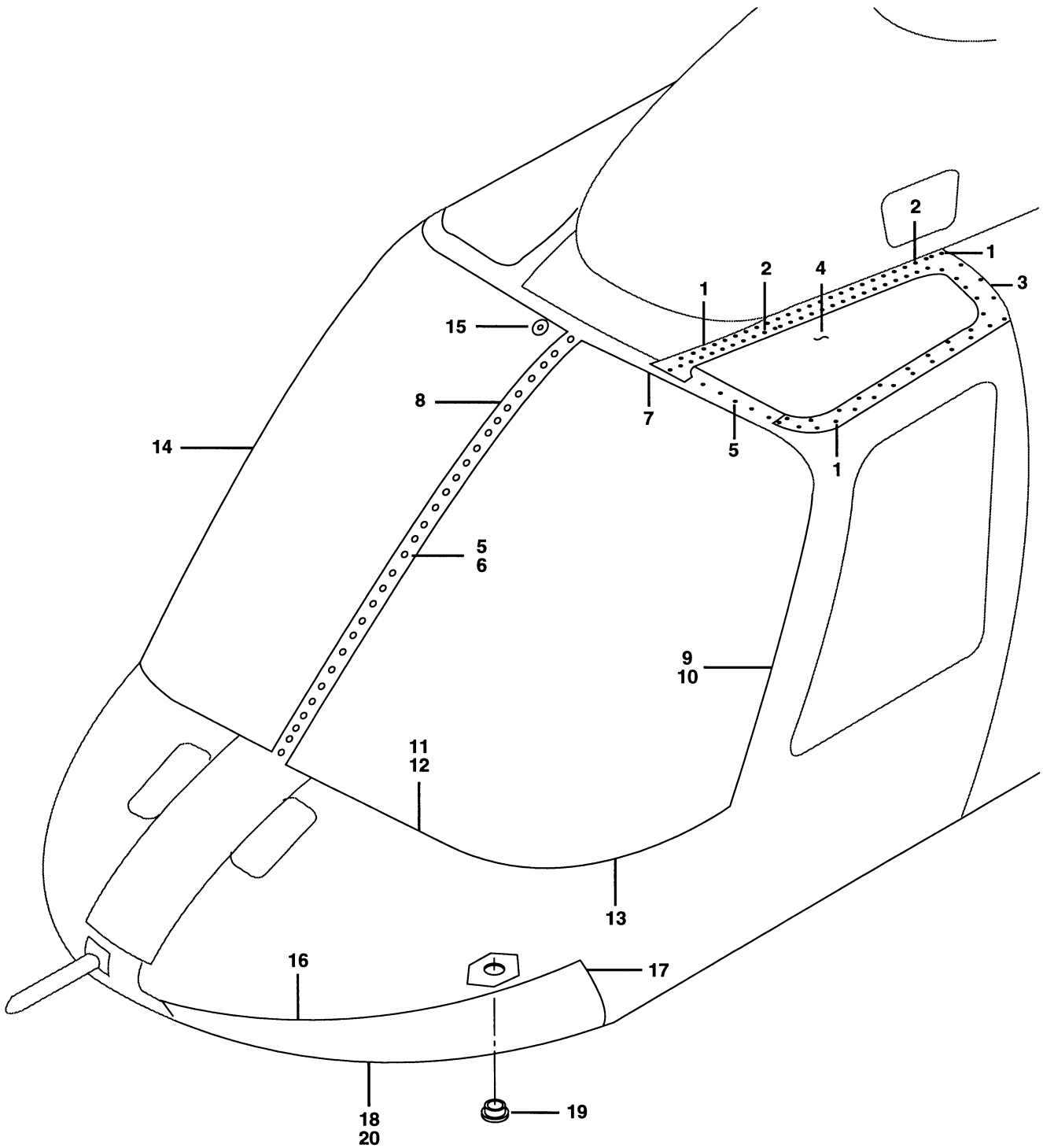


206A/B/B3-52-1005
C0000

Figure 52-5. Door installation, baggage

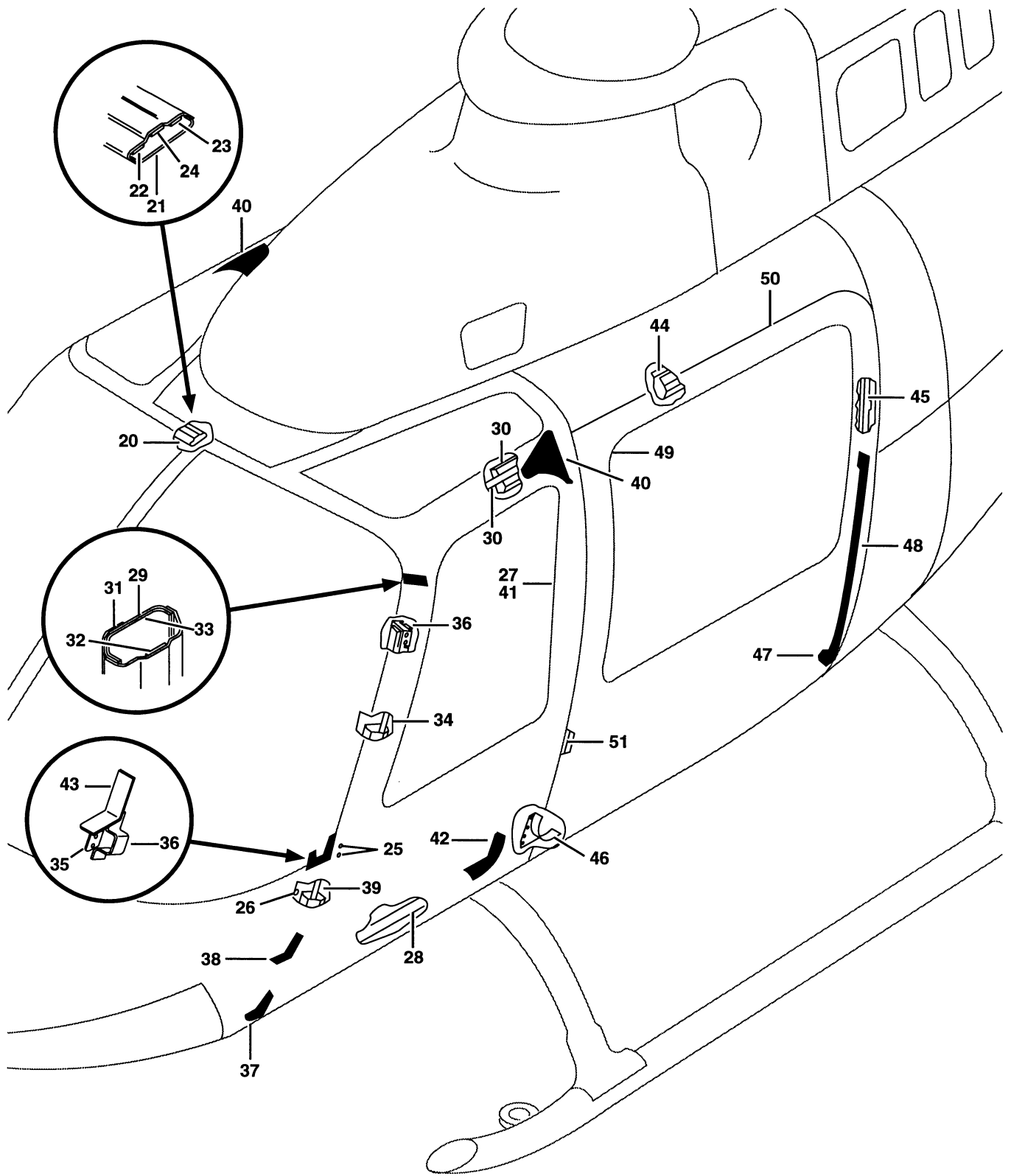
(1) INDEX NUMBER	(2) PART NUMBER	(3) ITEM NAME	(4) UNIT PER ASSY	(5) A V A I L	(6) U O C
		FIGURE: 52-5. Door installation, baggage			
	206-031-312-001	DOOR INSTL, BAGGAGE	1		
	206-031-312-007	DOOR INSTL, BAGGAGE	1		
	206-031-312-103	DOOR INSTL, BAGGAGE	1		
	206-031-312-111	DOOR INSTL, BAGGAGE	1		
1	AN320-3	.NUT	2	1	
2	AN960PD10L	.WASHER (REPLACED BY AN960JD10L)	4		
2	AN960JD10L	.WASHER (REPLACES AN960PD10L) (REPLACED BY NAS1149D0332J)	4		
2	NAS1149D0332J	.WASHER (REPLACES AN960JD10L)	4		
3	AN23-10	.BOLT	2	1	
4	AN509-10R10	.SCREW (REPLACED BY MS24694S52)	4		
4	MS24694S52	.SCREW (REPLACES AN509-10R10) (REPLACED BY MS24694-S52)	4		
4	MS24694-S52	.SCREW (REPLACES MS24694S52)	4	1	
5	206-031-325-001	.CLEVIS, UPPER	1	1	
6	206-032-338-001	.SHIM	1	1	
7	206-031-326-001	.CLEVIS, LOWER	1	1	
8	206-032-338-003	.SHIM	1	1	
9	NAS1474A3	.NUTPLATE	4	1	
10	206-031-312-003	.DOOR ASSY (REPLACED BY 206-031-312-113)	1		A
10	206-031-312-009	.DOOR ASSY (REPLACED BY 206-031-312-113)	1		B
10	206-031-312-105	.DOOR ASSY (REPLACED BY 206-031-312-113)	1		C
11	206-031-312-113	.DOOR ASSY (REPLACES 206-031-312-003, -009 AND -105)	1		
12	MS20470AD4	..RIVET	6		
13	140-001-1	..WASHER (USBL ON 206-031-312-113)	6	1	
14	206-031-323-001	..HINGE, UPPER	1		
15	206-031-324-001	..HINGE, LOWER	1		
16	206-031-312-025	..STRIP, CHAFING (USBL ON 206-031-312-003) (MAKE FROM 853, .50 WIDE)	1		A
16	853, .50 WIDE	..TAPE (USBL ON 206-031-312-003)	1		A
16	206-031-312-029	..STRIP, CHAFING (USBL ON 206-031-312-009 AND -105) (MAKE FROM 4516, .50 WIDE)	1		BC
16	4516, .50 WIDE	..TAPE (USBL ON 206-031-312-009 AND -105)	1		BC
16	110-070-50-1350	..STRIP, CHAFING (USBL ON 206-031-312-113) (MAKE FROM 110-070)	1		
16	110-070	..EXTRUSION-RUBBER (USBL ON 206-031-312-113)	1		
17	H6055032A104	..LATCH (USBL ON 206-031-312-003 AND -009) (REPLACED BY 90-030-03A2)	2		AB
17	90-030-03A2	..LATCH (USBL ON 206-031-312-003, -009 AND -105) (REPLACES H6055032A104)	2	1	
17	90-030-05A8	..LATCH (USBL ON 206-031-312-113)	2	1	
18	206-031-312-117	..SPACER (USBL ON 206-031-312-113)	1	1	

(1) INDEX NUMBER	(2) PART NUMBER	(3) ITEM NAME	(4) UNIT PER ASSY	(5) A V A I L	(6) U O C												
		<p>FIGURE: 52-5. Door installation, baggage (Cont'd)</p> <p style="text-align: center;">USABLE ON CODES</p> <table border="0" style="margin-left: auto; margin-right: auto;"> <thead> <tr> <th style="text-align: left;">CODE</th> <th style="text-align: left;">MODEL</th> <th style="text-align: left;">SERIAL NUMBER</th> </tr> </thead> <tbody> <tr> <td>A</td> <td>206A</td> <td>4-303</td> </tr> <tr> <td>B</td> <td>206A/B/BIII</td> <td>304-4310</td> </tr> <tr> <td>C</td> <td>206BIII</td> <td>4311-SUB</td> </tr> </tbody> </table> <p>1) UNLESS A USABLE ON PART NUMBER IS LISTED IN THE ITEM NAME COLUMN; NO CODE INDICATES THE PART APPLIES TO ALL SERIAL NUMBERS.</p> <p>2) IF THE SERIAL NUMBER IS BLANK THE PART APPLIES TO ALL SERIAL NUMBERS FOR THAT MODEL.</p>	CODE	MODEL	SERIAL NUMBER	A	206A	4-303	B	206A/B/BIII	304-4310	C	206BIII	4311-SUB			
CODE	MODEL	SERIAL NUMBER															
A	206A	4-303															
B	206A/B/BIII	304-4310															
C	206BIII	4311-SUB															



206A/B/B3-52-1006-1
C0000

Figure 52-6. Skylight; windshield assembly; window assembly, lower and door frame installations (Sheet 1 of 2)



206A/B/B3-52-1006-2
C0000

Figure 52-6. Skylight; windshield assembly; window assembly, lower and door frame installations (Sheet 2)

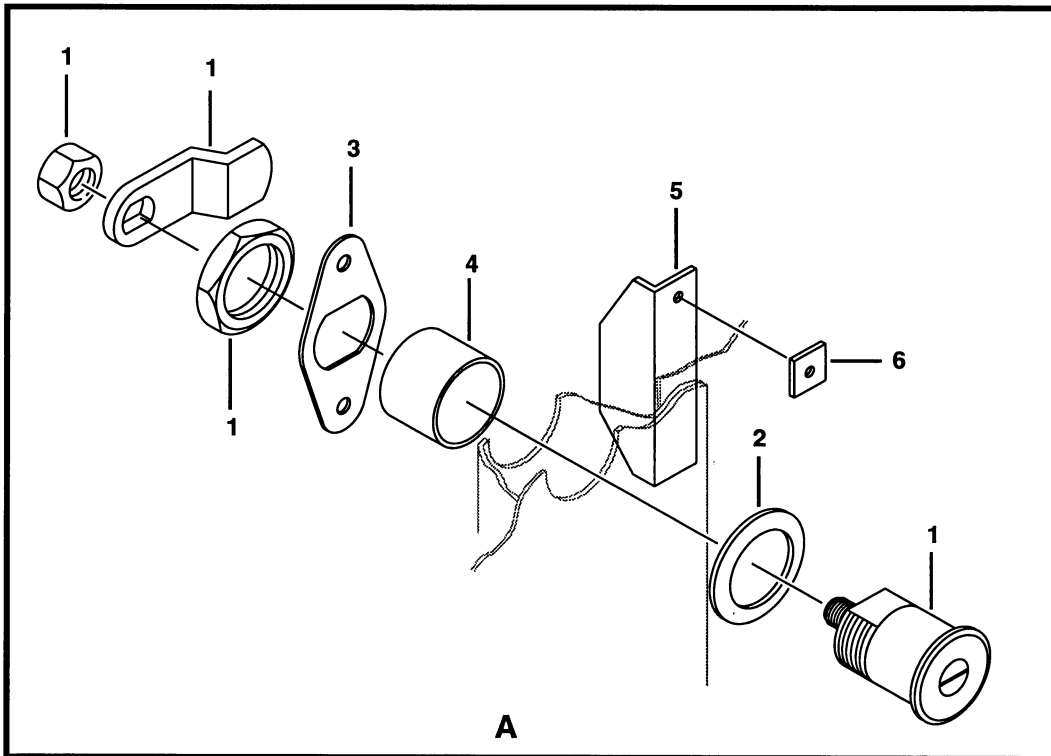
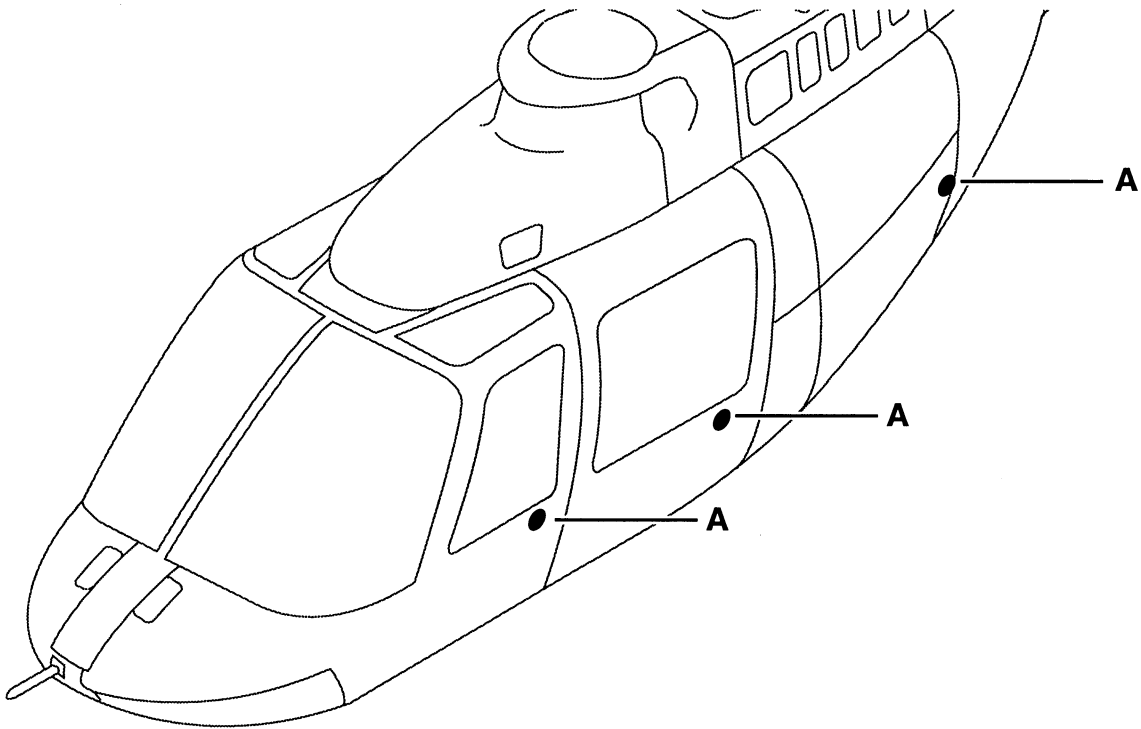
(1) INDEX NUMBER	(2) PART NUMBER	(3) ITEM NAME	(4) UNIT PER ASSY	(5) A V A I L	(6) U C O C
		FIGURE: 52-6. Skylight; windshield assembly; window assembly, lower and door frame installations			
	206-031-108-001	SKYLIGHT INSTL, CABIN ROOF, LH	1		
	206-031-108-007	SKYLIGHT INSTL, CABIN ROOF, LH	1		
	206-031-108-002	SKYLIGHT INSTL, CABIN ROOF, RH	1		
	206-031-108-008	SKYLIGHT INSTL, CABIN ROOF, RH	1		
1	MS20600AD4	.RIVET	120		
2	MS20470AD3	.RIVET	50		
3	206-031-108-023	.RETAINER, LH	1		
3	206-031-108-024	.RETAINER, RH	1		
4	206-031-108-033	.SKYLIGHT, LH	1		
4	206-031-108-034	.SKYLIGHT, RH	1		
	206-031-115-001	WINDSHIELD INSTL	1		
	206-031-115-005	WINDSHIELD INSTL	1		
	206-031-115-009	WINDSHIELD INSTL	1		
	206-031-115-013	WINDSHIELD INSTL	1		
	206-031-115-107	WINDSHIELD INSTL	1		
5	MS20600AD4	.RIVET (NOTE 1)	163		
6	140-001-1	.WASHER (NOTE 1) (ALTERNATE PART)	43		D
6	110-050-1	.RIVET (NOTE 1)	43		D
7	206-031-115-037	.RETAINER, TOP CENTER	1		
8	206-031-115-035	.RETAINER, CENTER (REPLACED BY 206-031-115-103) . .	1		
8	206-031-115-103	.RETAINER, CENTER (REPLACES 206-031-115-035)	1		
9	206-031-115-017	.RETAINER, UPPER, LH	1		
10	206-031-115-018	.RETAINER, UPPER, RH	1		
11	206-031-115-019	.RETAINER, LOWER, LH	1		
12	206-031-115-020	.RETAINER, LOWER, RH	1		
13	206-031-115-033	.WINDSHIELD, LH	1		
14	206-031-115-105	.WINDSHIELD ASSY, RH	1		
15	206-031-115-025	.DOUBLER	2		
	206-031-124-001	SKIN INSTL, LH	1		
	206-031-124-069	SKIN INSTL, LH	1		
	206-031-124-009	SKIN INSTL, LH	1		
	206-031-124-087	SKIN INSTL, LH	1		
	206-031-124-095	SKIN INSTL, LH	1		
	206-031-124-099	SKIN INSTL, LH	1		
	206-031-124-133	SKIN INSTL, LH	1		
	206-031-124-105	SKIN INSTL, LH	1		
	206-031-124-141	SKIN INSTL, LH	1		
	206-031-124-002	SKIN INSTL, RH	1		
	206-031-124-070	SKIN INSTL, RH	1		
	206-031-124-010	SKIN INSTL, RH	1		
	206-031-124-013	SKIN INSTL, RH	1		
	206-031-124-089	SKIN INSTL, RH	1		
	206-031-124-100	SKIN INSTL, RH	1		
	206-031-124-130	SKIN INSTL, RH	1		
	206-031-124-104	SKIN INSTL, RH	1		
16	206-031-124-065	.RETAINER, UPPER, LH	1		
16	206-031-124-066	.RETAINER, UPPER, RH	1		

(1) INDEX NUMBER	(2) PART NUMBER	(3) ITEM NAME	(4) UNIT PER ASSY	(5) A V A I L	(6) U O C
		FIGURE: 52-6. Skylight; windshield assembly; window assembly, lower and door frame installations (Cont'd)			
17	206-031-124-039	.RETAINER, LOWER, LH	1		
17	206-031-124-040	.RETAINER, LOWER, RH	1		
	206-031-116-001	WINDOW INSTL, LOWER, LH	1		
	206-031-116-019	WINDOW INSTL, LOWER, LH	1		
	206-031-116-009	WINDOW INSTL, LOWER, LH	1		
	206-031-116-003	WINDOW INSTL, LOWER, RH	1		
	206-031-116-017	WINDOW INSTL, LOWER, RH	1		
	206-031-116-011	WINDOW INSTL, LOWER, RH	1		
18	206-031-116-109	.WINDOW ASSY, LH	1		
18	206-031-116-111	.WINDOW ASSY, RH	1		
19	100-050B1000	. . PLUG BUTTON	1		
	206-031-112-029	FRAME INSTL, WINDSHIELD	1		
	206-031-112-119	FRAME INSTL, WINDSHIELD	1		
20	206-031-112-031	.FRAME ASSY	1		A
20	206-031-112-121	.FRAME ASSY	1		G
21	206-031-112-021	. . FRAME	1		
22	206-031-112-043	. . DOUBLER	1		
23	206-031-112-049	. . DOUBLER	1		
24	206-031-112-047	. . DOUBLER	1		
	206-031-112-001	FRAME INSTL, CREW DOOR, LH (AGUSTA)	1		
	206-031-112-007	FRAME INSTL, CREW DOOR, LH (BEECH)	1		
	206-031-112-113	FRAME INSTL, CREW DOOR, LH	1		
	206-031-112-169	FRAME INSTL, CREW DOOR, LH	1		
	206-031-112-299	FRAME INSTL, CREW DOOR, LH (SEE FIG. 4 FOR BALANCE . OF BREAKDOWN)	1		
	206-031-112-002	FRAME INSTL, CREW DOOR, RH (AGUSTA)	1		
	206-031-112-008	FRAME INSTL, CREW DOOR, RH (BEECH)	1		
	206-031-112-114	FRAME INSTL, CREW DOOR, RH	1		
	206-031-112-170	FRAME INSTL, CREW DOOR, RH	1		
	206-031-112-300	FRAME INSTL, CREW DOOR, RH (SEE FIG. 4 FOR BALANCE . OF BREAKDOWN)	1		
25	NAS1329A3K80	.RIVNUT, BLIND	2		
26	2R1396	.NUT	1		
27	206-031-112-009	.FRAME ASSY, CREW DOOR, LH (AGUSTA)	1		A
27	206-031-112-085	.FRAME ASSY, CREW DOOR, LH (BEECH)	1		A
27	206-031-112-115	.FRAME ASSY, CREW DOOR, LH (REPLACED BY 206-031-112-177)	1		C
27	206-031-112-171	.FRAME ASSY, CREW DOOR, LH (REPLACED BY 206-031-112-177)	1		J
27	206-031-112-177	.FRAME ASSY, CREW DOOR, LH (REPLACES 206-031-112-115 AND -171)	1		H
27	206-031-112-301	.FRAME ASSY, CREW DOOR, LH (SEE FIG. 4 FOR BALANCE . OF BREAKDOWN)	1		M
27	206-031-112-010	.FRAME ASSY, CREW DOOR, RH (AGUSTA)	1		A
27	206-031-112-086	.FRAME ASSY, CREW DOOR, RH (BEECH)	1		A
27	206-031-112-116	.FRAME ASSY, CREW DOOR, RH (REPLACED BY 206-031-112-178)	1		C

(1) INDEX NUMBER	(2) PART NUMBER	(3) ITEM NAME	(4) UNIT PER ASSY	(5) A V A I L	(6) U O C
		FIGURE: 52-6. Skylight; windshield assembly; window assembly, lower and door frame installations (Cont'd)			
27	206-031-112-172	..FRAME ASSY, CREW DOOR, RH (REPLACED BY 206-031-112-178)	1	0	J
27	206-031-112-178	..FRAME ASSY, CREW DOOR, RH (REPLACES 206-031-112-116 AND -172)	1		H
27	206-031-112-302	..FRAME ASSY, CREW DOOR, RH (SEE FIG. 4 FOR BALANCE . OF BREAKDOWN)	1		M
28	206-031-112-149	..SHIM (USBL ON 206-031-112-171, -172, -301 AND . . -302)	1	0	K
29	206-031-112-023	..LONGERON, LH (AGUSTA)	1	1	A
29	206-031-112-093	..LONGERON, LH (BEECH)	1	1	A
29	206-031-112-024	..LONGERON, RH (AGUSTA)	1	1	A
29	206-031-112-094	..LONGERON, RH (BEECH)	1		A
30	206-031-112-057	..DOUBLER (USBL ON 206-031-112-009, -010, -085, . . -086, -115, -116, -171, -172, -301 AND -302)	1		
31	206-031-112-025	..BRACKET, LH	1	1	
31	206-031-112-026	..BRACKET, RH	1	1	
32	206-031-112-055	..DOUBLER, LH (USBL ON 206-031-112-009, -085, . . . -115, -171 AND -301)	1		
32	206-031-112-056	..DOUBLER, RH (USBL ON 206-031-112-010, -116, . . . -172 AND -302)	1		
32	206-031-112-055	..DOUBLER, RH (USBL ON 206-031-112-086)	1		
33	206-031-112-019	..DOOR POST, LH (AGUSTA)	1		
33	206-031-112-091	..DOOR POST, LH (BEECH)	1		A
33	206-031-112-020	..DOOR POST, RH (AGUSTA)	1		
33	206-031-112-092	..DOOR POST, RH (BEECH)	1		A
34	206-031-112-053	..DOUBLER, LH (USBL ON 206-031-112-009, -085, . . . -115, -171 AND -301)	1		
34	206-031-112-054	..DOUBLER, RH (USBL ON 206-031-112-010, -086, . . . -116, -172 AND -302)	1		
35	206-031-112-033	..CLIP, LH	1	1	
35	206-031-112-034	..CLIP, RH	1	1	
36	206-031-112-051	..BRACKET	2		A
36	206-031-112-067	..BRACKET	2		G
37	206-031-112-037	..CLIP, LH	1	1	
37	206-031-112-038	..CLIP, RH	1	1	
38	206-031-112-035	..CLIP	1	1	
39	206-031-112-059	..DOUBLER (USBL ON 206-031-112-009, -010, -085, . . -086, -115, -116, -171, -172, -301 AND -302)	1		
40	206-031-112-027	..BRACKET, LH	1		
40	206-031-112-028	..BRACKET, RH	1		
41	206-031-112-065	..FRAME, LH (AGUSTA) (USBL ON 206-031-112-009) . . .	1		A
41	206-031-112-095	..FRAME, LH (BEECH) (USBL ON 206-031-112-085) . . .	1		A
41	206-031-112-117	..FRAME, LH (USBL ON 206-031-112-115)	1		C
41	206-031-112-173	..FRAME, LH (USBL ON 206-031-112-171 AND -301) . . .	1		K
41	206-031-112-066	..FRAME, RH (AGUSTA) (USBL ON 206-031-112-010) . . .	1		A
41	206-031-112-096	..FRAME, RH (BEECH) (USBL ON 206-031-112-086) . . .	1		A
41	206-031-112-118	..FRAME, RH (USBL ON 206-031-112-116)	1	0	C
41	206-031-112-174	..FRAME, RH (USBL ON 206-031-112-172 AND -302) . . .	1		K

(1) INDEX NUMBER	(2) PART NUMBER	(3) ITEM NAME	(4) UNIT PER ASSY	(5) A V A I L	(6) U O C
		FIGURE: 52-6. Skylight; windshield assembly; window assembly, lower and door frame installations (Cont'd)			
42	206-031-112-061	.BRACKET, LH	1		
42	206-031-112-063	.BRACKET, RH	1		
43	206-031-112-039	.CLIP	1		
	206-031-123-063	FRAME INSTL, PASSENGER DOOR, LH (AGUSTA)	1		
	206-031-123-065	FRAME INSTL, PASSENGER DOOR, LH (BEECH)	1		
	206-031-123-087	FRAME INSTL, PASSENGER DOOR, LH	1		
	206-031-123-113	FRAME INSTL, PASSENGER DOOR, LH (SEE FIG. 4 FOR . . . BALANCE OF BREAKDOWN)	1		
	206-031-123-064	FRAME INSTL, PASSENGER DOOR, RH (AGUSTA)	1		
	206-031-123-066	FRAME INSTL, PASSENGER DOOR, RH (BEECH)	1		
	206-031-123-088	FRAME INSTL, PASSENGER DOOR, RH	1		
	206-031-123-101	FRAME INSTL, PASSENGER DOOR, RH	1		
	206-031-123-114	FRAME INSTL, PASSENGER DOOR, RH (SEE FIG. 4 FOR . . . BALANCE OF BREAKDOWN)	1		
44	206-031-123-043	.LONGERON, LH (AGUSTA)	1		B
44	206-031-123-059	.LONGERON, LH (BEECH)	1		AC
44	206-031-123-044	.LONGERON, RH (AGUSTA)	1		B
44	206-031-123-060	.LONGERON, RH (BEECH)	1		AC
45	206-031-123-019	.BRACKET, LH	1		
45	206-031-123-020	.BRACKET, RH	1		
46	206-031-123-029	.BRACKET, LH	1		
46	206-031-123-030	.BRACKET, RH	1		
47	206-031-123-031	.BRACKET, LH	1		
47	206-031-123-032	.BRACKET, RH	1		
48	206-031-123-025	.FILLER, LH	1		
48	206-031-123-026	.FILLER, RH (REPLACED BY 206-031-123-111)	1		E
48	206-031-123-111	.FILLER, RH (REPLACES 206-031-123-026)	1		
49	206-032-123-027	.CLIP, LH	1		
49	206-032-123-028	.CLIP, RH	1		
50	206-031-123-071	.FRAME ASSY, PASSENGER DOOR, LH (AGUSTA)	1		A
50	206-031-123-075	.FRAME ASSY, PASSENGER DOOR, LH (BEECH)	1		A
50	206-031-123-073	.FRAME ASSY, PASSENGER DOOR, LH (AGUSTA)	1		C
50	206-031-123-077	.FRAME ASSY, PASSENGER DOOR, LH (BEECH) (REPLACED BY 206-031-123-095)	1		C
50	206-031-123-095	.FRAME ASSY, PASSENGER DOOR, LH (BEECH) (REPLACES 206-031-123-077)	1		H
50	206-031-123-115	.FRAME ASSY, PASSENGER DOOR, LH (SEE FIG. 4 FOR . . . BALANCE OF BREAKDOWN)	1		M
50	206-031-123-072	.FRAME ASSY, PASSENGER DOOR, RH (AGUSTA)	1		A
50	206-031-123-076	.FRAME ASSY, PASSENGER DOOR, RH (BEECH)	1		A
50	206-031-123-074	.FRAME ASSY, PASSENGER DOOR, RH (AGUSTA)	1		C
50	206-031-123-078	.FRAME ASSY, PASSENGER DOOR, RH (BEECH) (REPLACED BY 206-031-123-096)	1		C
50	206-031-123-096	.FRAME ASSY, PASSENGER DOOR, RH (BEECH) (REPLACES 206-031-123-078)	1		F
50	206-031-123-103	.FRAME ASSY, PASSENGER DOOR, RH (REPLACED BY 206-031-123-105)	1		L

(1) INDEX NUMBER	(2) PART NUMBER	(3) ITEM NAME	(4) UNIT PER ASSY	(5) A V A I L	(6) U O C																																							
		<p>FIGURE: 52-6. Skylight; windshield assembly; window assembly, lower and door frame installations (Cont'd)</p>																																										
50	206-031-123-105	.FRAME ASSY, PASSENGER DOOR, RH (REPLACES 206-031-123-103)	1		L																																							
50	206-031-123-116	.FRAME ASSY, PASSENGER DOOR, RH (SEE FIG. 4 FOR . . . BALANCE OF BREAKDOWN)	1		M																																							
51	206-031-123-041	..FILLER (USBL ON 206-031-123-071, -072, -075 AND -076)	1		A																																							
51	206-031-123-051	..FILLER (USBL ON 206-031-123-073, -074, -077, . . . -078, -095, -096, -103, -105, -115 AND -116)	2		G																																							
		<p>NOTE 1: 110-050-1 RIVET IS AN ALTERNATE FOR 140-001-1 WASHERS (43) AND MS20600AD4 RIVETS (43)</p>																																										
		<p>USABLE ON CODES</p> <table border="0"> <thead> <tr> <th>CODE</th> <th>MODEL</th> <th>SERIAL NUMBER</th> </tr> </thead> <tbody> <tr><td>A</td><td>206A</td><td>4-413</td></tr> <tr><td>B</td><td>206A/B</td><td>4-1750</td></tr> <tr><td>C</td><td>206A/B</td><td>414-1750</td></tr> <tr><td>D</td><td>206A/B/BIII</td><td>104-3566</td></tr> <tr><td>E</td><td>206A/B/BIII</td><td>4-4310</td></tr> <tr><td>F</td><td>206A/B/BIII</td><td>414-4310</td></tr> <tr><td>G</td><td>206A/B/BIII</td><td>414-SUB</td></tr> <tr><td>H</td><td>206A/B/BIII</td><td>414-4359</td></tr> <tr><td>J</td><td>206B/BIII</td><td>1751-4359</td></tr> <tr><td>K</td><td>206B/BIII</td><td>1751-SUB</td></tr> <tr><td>L</td><td>206BIII</td><td>4311-4359</td></tr> <tr><td>M</td><td>206BIII</td><td>4360-SUB</td></tr> </tbody> </table>	CODE	MODEL	SERIAL NUMBER	A	206A	4-413	B	206A/B	4-1750	C	206A/B	414-1750	D	206A/B/BIII	104-3566	E	206A/B/BIII	4-4310	F	206A/B/BIII	414-4310	G	206A/B/BIII	414-SUB	H	206A/B/BIII	414-4359	J	206B/BIII	1751-4359	K	206B/BIII	1751-SUB	L	206BIII	4311-4359	M	206BIII	4360-SUB			
CODE	MODEL	SERIAL NUMBER																																										
A	206A	4-413																																										
B	206A/B	4-1750																																										
C	206A/B	414-1750																																										
D	206A/B/BIII	104-3566																																										
E	206A/B/BIII	4-4310																																										
F	206A/B/BIII	414-4310																																										
G	206A/B/BIII	414-SUB																																										
H	206A/B/BIII	414-4359																																										
J	206B/BIII	1751-4359																																										
K	206B/BIII	1751-SUB																																										
L	206BIII	4311-4359																																										
M	206BIII	4360-SUB																																										
		<p>1) UNLESS A USABLE ON PART NUMBER IS LISTED IN THE ITEM NAME COLUMN; NO CODE INDICATES THE PART APPLIES TO ALL SERIAL NUMBERS.</p> <p>2) IF THE SERIAL NUMBER IS BLANK THE PART APPLIES TO ALL SERIAL NUMBERS FOR THAT MODEL.</p>																																										



206A/B/B3-52-1007
C0000

Figure 52-7. Lock installations

(1) INDEX NUMBER	(2) PART NUMBER	(3) ITEM NAME	(4) UNIT PER ASSY	(5) A V A I L	(6) U O C
		FIGURE: 52-7. Lock installations			
	206-706-012-103	LOCK INSTL, CABIN AND BAGGAGE COMPARTMENT	1		
	206-706-012-107	LOCK INSTL, CABIN AND BAGGAGE COMPARTMENT	1		
1	4411-21	. LOCK SET (ALTERNATE PART)	1		
1	PA243	. LOCK SET	1		
2	120-008C28E24	. SHIM	5		
3	206-706-012-007	. DOUBLER	1		
4	206-706-012-009	. SPACER (USBL ON 206-706-012-103)	1		A
5	206-706-012-011	. STRIKER	1		
6	206-706-012-101	. FILLER	1		
		USABLE ON CODES			
		CODE MODEL SERIAL NUMBER			
		A 206A/B/BIII 4-4310			
		1) UNLESS A USABLE ON PART NUMBER IS LISTED IN THE ITEM NAME COLUMN; NO CODE INDICATES THE PART APPLIES TO ALL SERIAL NUMBERS.			
		2) IF THE SERIAL NUMBER IS BLANK THE PART APPLIES TO ALL SERIAL NUMBERS FOR THAT MODEL.			

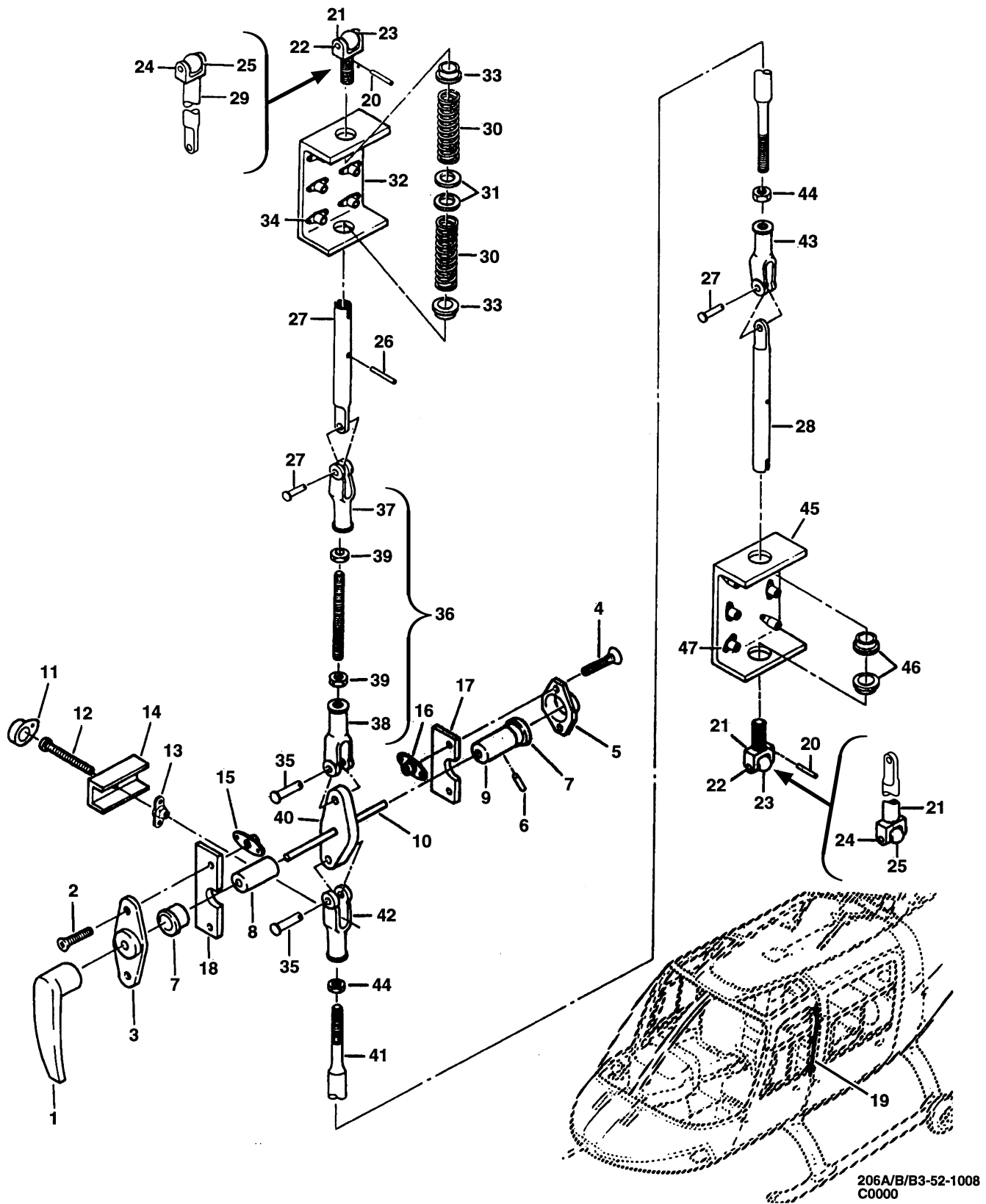


Figure 52-8. Mechanism assembly, latching, litter provision, removable door post

(1) INDEX NUMBER	(2) PART NUMBER	(3) ITEM NAME	(4) UNIT PER ASSY	(5) A V A I L	(6) U O C
		FIGURE: 52-8. Mechanism assembly, latching, litter provision, removable door post			
	206-706-314-001	LITTER PROVISION KIT (SEE SI 206-68 FOR S/N EFFECTIVITY)	REF		
	206-706-314-101	LITTER PROVISION KIT (SEE SI 206-68 FOR S/N EFFECTIVITY)	REF		
	206-706-314-103	LITTER PROVISION KIT (SEE SI 206-117 FOR S/N EFFECTIVITY)	REF		
	206-961-180-131	. BULKHEAD AND FRAME MOD, LITTER PROVISION, STA . . . 73.04	1		A
	206-961-180-133	. BULKHEAD AND FRAME MOD, LITTER PROVISION, STA . . . 73.04	1		B
	206-961-180-145	. BULKHEAD AND FRAME MOD, LITTER PROVISION, STA . . . 73.04	1		C
1	70-027-1	.. HANDLE	1		
2	MS35190-253	.. SCREW	2		
3	40-169-1	.. ESCUTCHEON	1		
4	MS24693-S28	.. SCREW	2		
5	206-961-180-027	.. ESCUTCHEON	1		
6	MS171466	.. PIN	1		
7	22-012B39-12-28	.. BUSHING	2		
8	206-031-447-001	.. SPACER	1		
9	206-031-448-001	.. SPACER	1		
10	AR341-128TYPE2	.. SPINDLE	1		
11	B1356-4	.. CAP (USBL ON 206-961-180-131)	1		
12	MS51964-72	.. SCREW	1		
13	NAS697A4	.. NUTPLATE (REPLACED BY MS21069L4)	1		
13	MS21069L4	.. NUTPLATE (REPLACES NAS697A4)	1		
14	206-961-180-117	.. SUPPORT (USBL ON 206-961-180-131)	1		
15	NAS1068A08	.. NUTPLATE (REPLACED BY MS21075L08N)	2		
15	MS21075L08N	.. NUTPLATE (REPLACES NAS1068A08)	2		
16	NAS1068A06	.. NUTPLATE	2		
17	206-961-180-051	.. FILLER	1		
18	206-961-180-053	.. FILLER	1		
19	206-031-396-001	.. MECHANISM ASSY, LATCHING, LITTER PROVISION, . . . REMOVABLE DOOR POST (REPLACED BY 206-031-396-003)	1		
19	206-031-396-003	.. MECHANISM ASSY, LATCHING, LITTER PROVISION, . . . REMOVABLE DOOR POST (REPLACES 206-031-396-001)	1		
20	MS171434	.. PIN (REPLACED BY NAS561C2-6) (USBL ON 206-031-396-001)	2		
20	NAS561C2-6	.. PIN (REPLACES MS171434) (USBL ON 206-031-396-001)	2		
21	204-030-499-001	.. ROLLER ASSY (USBL ON 206-031-396-001)	2		
22	NAS561P4-10	.. PIN	1		
23	204-030-501-001	.. ROLLER	2		
24	MS9048-102	.. PIN (REPLACED BY NAS561P4-10) (USBL ON 206-031-396-003)	2		
24	NAS561P4-10	.. PIN (REPLACES MS9048-102) (USBL ON 206-031-396-003)	2		
25	204-030-501-001	.. ROLLER (USBL ON 206-031-396-003)	2		

(1) INDEX NUMBER	(2) PART NUMBER	(3) ITEM NAME	(4) UNIT PER ASSY	(5) A V A I L	(6) U O C												
FIGURE: 52-8. Mechanism assembly, latching, litter provision, removable door post (Cont'd)																	
26	MS171498	...PIN (REPLACED BY NAS561C3-10)	1														
26	NAS561C3-10	...PIN (REPLACES MS171498)	1														
27	MS20392-2C11	...PIN (REPLACED BY MS20392-2S11)	2														
27	MS20392-2S11	...PIN (REPLACES MS20392-2C11)	2														
28	206-031-438-001	...PLUNGER (USBL ON 206-031-396-001)	2														
29	206-031-472-001	...PLUNGER (USBL ON 206-031-396-003)	2														
30	206-031-436-001	...SPRING	2														
31	AN960-616	...WASHER	2														
32	206-031-445-001	...BRACKET ASSY	1														
33	22-008B23-12-20	...BUSHING	2														
34	NAS697A3	...NUTPLATE (REPLACED BY MS21069L3)	6														
34	MS21069L3	...NUTPLATE (REPLACES NAS697A3)	6														
35	MS20392-2C17	...PIN (REPLACED BY MS20392-2S17)	2														
35	MS20392-2S17	...PIN (REPLACES MS20392-2C17)	2														
36	206-031-442-001	...ROD ASSY	1														
37	MS27975-4	...CLEVIS	1														
38	MS27975-3	...CLEVIS	1														
39	AN316-4R	...NUT	2														
40	206-031-446-001	...BELLCRANK	1														
41	206-031-437-001	...ROD ASSY	1														
42	MS27975-4	...CLEVIS	1														
43	MS27975-3	...CLEVIS	1														
44	AN316-4R	...NUT	2														
45	206-031-449-001	...BRACKET ASSY	2														
46	22-008B23-12-20	...BUSHING	2														
47	NAS697A3	...NUTPLATE (REPLACED BY MS21069L3)	6														
47	MS21069L3	...NUTPLATE (REPLACES NAS697A3)	6														
<p>USABLE ON CODES</p> <table border="0"> <thead> <tr> <th>CODE</th> <th>MODEL</th> <th>SERIAL NUMBER</th> </tr> </thead> <tbody> <tr> <td>A</td> <td>206A/B/BIII</td> <td>4-3121</td> </tr> <tr> <td>B</td> <td>206BIII</td> <td>3122-3566</td> </tr> <tr> <td>C</td> <td>206BIII</td> <td>3567-SUB</td> </tr> </tbody> </table> <p>1) UNLESS A USABLE ON PART NUMBER IS LISTED IN THE ITEM NAME COLUMN; NO CODE INDICATES THE PART APPLIES TO ALL SERIAL NUMBERS.</p> <p>2) IF THE SERIAL NUMBER IS BLANK THE PART APPLIES TO ALL SERIAL NUMBERS FOR THAT MODEL.</p>						CODE	MODEL	SERIAL NUMBER	A	206A/B/BIII	4-3121	B	206BIII	3122-3566	C	206BIII	3567-SUB
CODE	MODEL	SERIAL NUMBER															
A	206A/B/BIII	4-3121															
B	206BIII	3122-3566															
C	206BIII	3567-SUB															