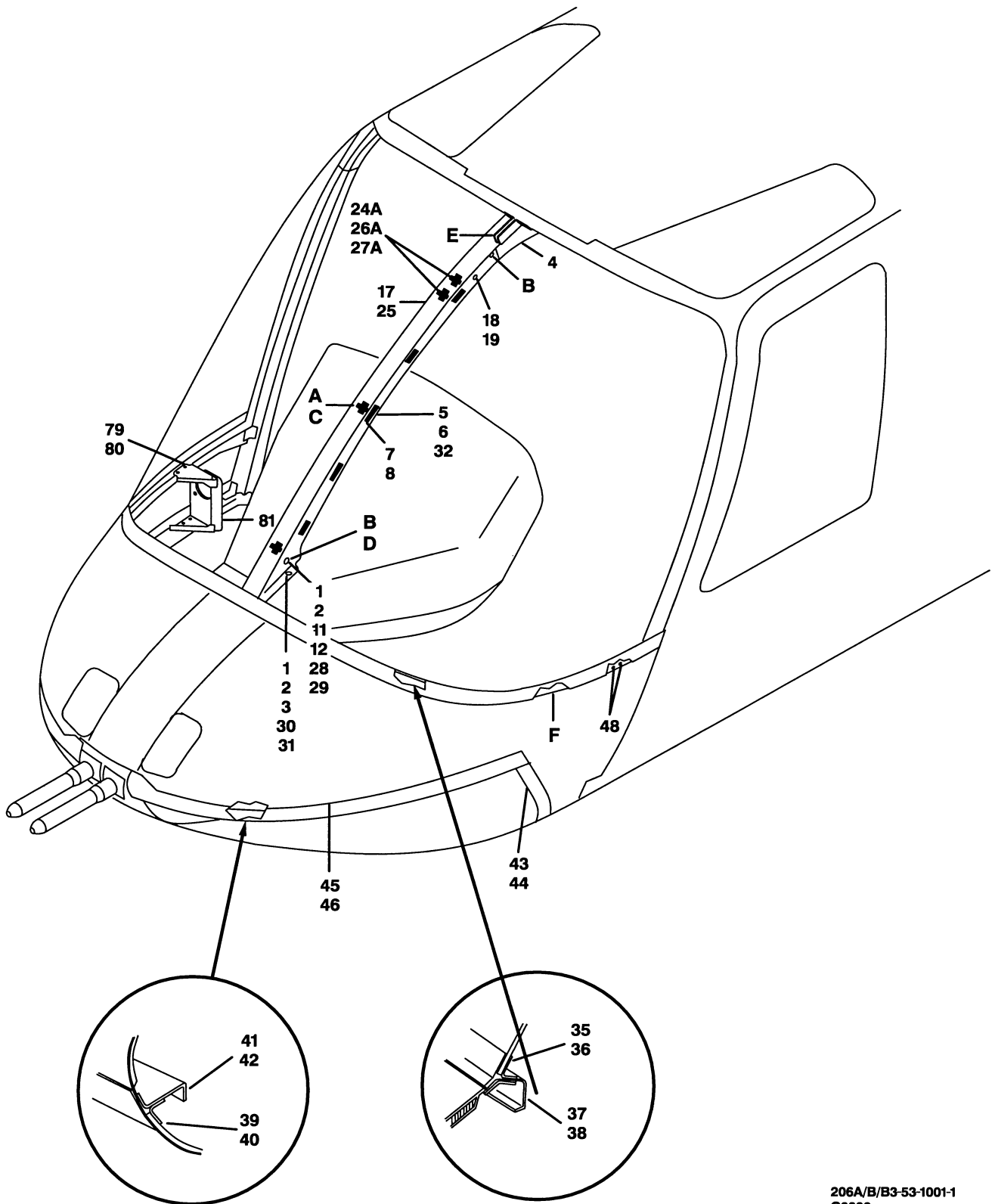


CONTENTS - IPB

Figure Number	Figure Title	Chapter/Section Number	Page Number
53-1	Nose installation	53-99-00	4
53-2	Bracket installation, airspeed decal	53-99-00	12
53-3	Console installation (S/N 4 thru 153)	53-99-00	14
53-4	Console installation (S/N 154 thru 913)	53-99-00	18
53-5	Console assembly (S/N 154 thru 913).....	53-99-00	22
53-6	Console installation (S/N 914-2211).....	53-99-00	26
53-7	Console assembly (S/N 914 thru 2211)	53-99-00	30
53-8	Console installation (S/N 2212 thru 4128)	53-99-00	34
53-9	Console installation (S/N 4129 thru SUB)	53-99-00	40
53-10	Support assembly (S/N 3217 thru SUB)	53-99-00	44
53-11	Shroud assembly, console (S/N 2212 thru 3566) ...	53-99-00	46
53-12	Shell installation, cabin roof, upper.....	53-99-00	50
53-13	Seat, pilot and co-pilot (4 thru 3566); cover, console; pilot and co-pilot cover and bulkhead, front seat and rain gutter installations	53-99-00	54
53-13A	Seat installation, pilot and co-pilot (3567 thru sub) ..	53-99-00	56
53-14	Beam installation, cabin roof, upper	53-99-00	58
53-15	Bulkhead installation, STA 73.04	53-99-00	62
53-16	Panel and bulkhead installations, passenger seat... ..	53-99-00	70
53-17	Closure installation, AFT cabin.....	53-99-00	76
53-18	Support installation, AFT cross tube	53-99-00	80
53-19	Cover installation, fuel cell	53-99-00	82
53-20	Bulkhead installation, STA 130.00	53-99-00	84
53-21	Longeron, upper AFT fuselage and pan, engine installations	53-99-00	88
53-22	Support installation, STA 167.00 to STA 179.92 and pan installation, fan drain, oil cooler (S/N 2212 thru SUB).....	53-99-00	94
53-23	Pan installation, oil cooler fan; mod, improved preformance; intercostal installation , STA 167 to 179.92.....	53-99-00	96
53-24	Fairing and support installations	53-99-00	98
53-25	Fuselage assembly, AFT; platform installation, support, service (S/N 1564 thru 4310).....	53-99-00	100
53-26	Fuselage installation, AFT	53-99-00	104
53-27	Longeron; web, station 130.00 to station 192.84; panel, baggage compartment and cover installations	53-99-00	108
53-28	Support installation, anti-torque controls	53-99-00	114
53-29	Shell assembly, lower	53-99-00	116
53-30	Frame installation, station 142.33	53-99-00	120
53-31	Frame installation, station 154.66	53-99-00	122
53-32	Frame installation, station 167.00	53-99-00	124
53-33	Frame installation, station 179.92	53-99-00	126
53-34	Frame, station 192.84;door tailboom access;cover,station 192.84 and frame,butt station 31.87 installation	53-99-00	128

CONTENTS - IPB

Figure Number	Figure Title	Chapter/Section Number	Page Number
53-35	Bulkhead installation, passenger seat	53-99-00	132
53-36	Frame, door FWD and passenger door installations	53-99-00	134
53-37	Fuselage assembly (S/N 4 thru 2211)	53-99-00	138
53-38	Fuselage assembly (S/N 2212 thru SUB)	53-99-00	142
53-39	Tailboom assembly	53-99-00	146
53-40	Tailboom assembly	53-99-00	150
53-41	Stabilizer installation, horizontal (S/N 4 thru 913) ...	53-99-00	158
53-42	Stabilizer installation, horizontal	53-99-00	162
53-43	Fin assembly, tail (S/N 4 thru 1251)	53-99-00	166
53-44	Fin assembly, tail (S/N 1252 thru 2211)	53-99-00	168
53-45	Fin assembly, tail	53-99-00	172
53-46	Fairing installation, tail rotor gear box (S/N 4 thru 1251)	53-99-00	176
53-47	Fairing installation, tail rotor gear box (S/N 1252 thru Sub)	53-99-00	178



206A/B/B3-53-1001-1
C0000

Figure 53-1. Nose installation (Sheet 1 of 3)

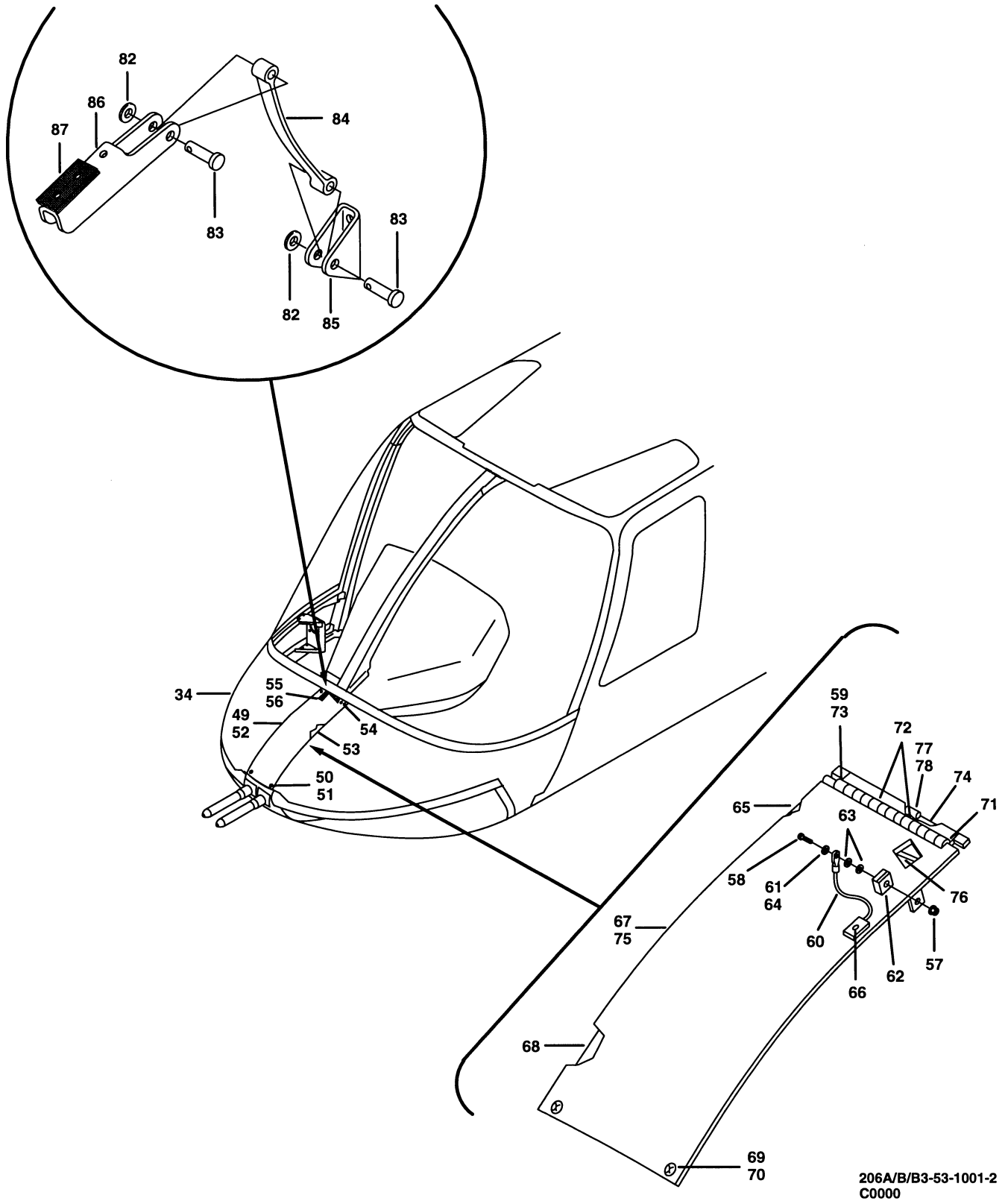
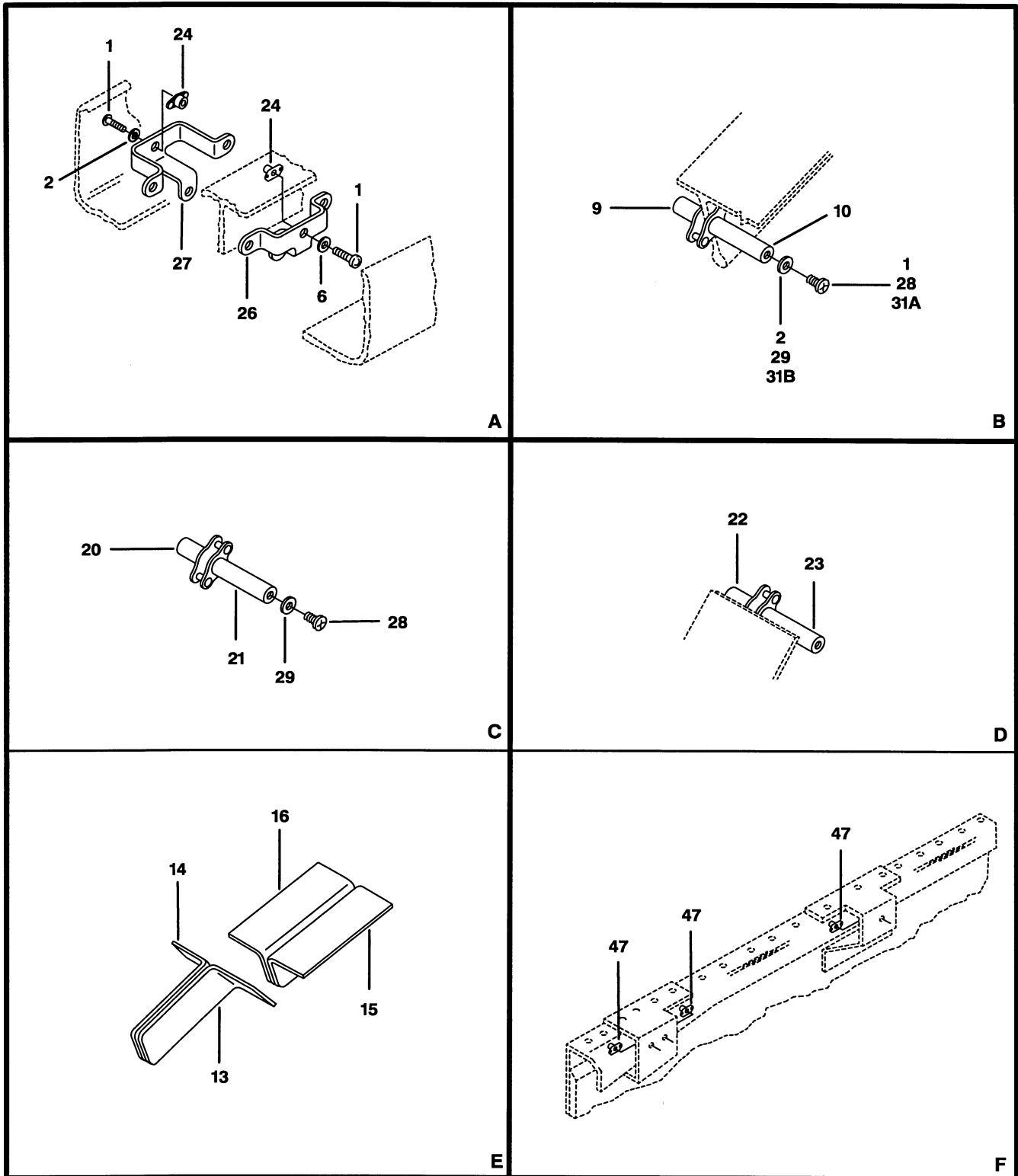


Figure 53-1. Nose installation (Sheet 2)

206A/B/B3-53-1001-2
C0000



206A/B/B3-53-1001-3
C0000

(1) INDEX NUMBER	(2) PART NUMBER	(3) ITEM NAME	(4) UNIT PER ASSY	(5) A V A I L	(6) U O C
		FIGURE: 53-1. Nose installation			
	206-031-005-003	NOSE INSTL	1		
	206-031-005-005	NOSE INSTL	1		
	206-031-005-007	NOSE INSTL	1		
	206-031-005-009	NOSE INSTL	1		
	206-031-005-011	NOSE INSTL	1		
	206-031-005-013	NOSE INSTL	1		
	206-031-005-015	NOSE INSTL	1		
	206-031-005-019	NOSE INSTL	1		
	206-031-005-021	NOSE INSTL	1		
	206-031-005-023	NOSE INSTL	1		
	206-031-005-025	NOSE INSTL	1		
	206-031-005-027	NOSE INSTL	1		
	206-031-005-101	NOSE INSTL	1		
	206-031-005-105	NOSE INSTL	1		
	206-031-005-107	NOSE INSTL	1		
	206-031-109-001	.CENTER POST INSTL, WINDSHIELD	1		
	206-031-109-031	.CENTER POST INSTL, WINDSHIELD	1		
	206-031-160-001	.CENTER POST INSTL, WINDSHIELD	1		
	206-031-160-005	.CENTER POST INSTL, WINDSHIELD	1		
	206-031-160-011	.CENTER POST INSTL, WINDSHIELD	1		
	206-031-160-105	.CENTER POST INSTL, WINDSHIELD	1		
	206-031-160-117	.CENTER POST INSTL, WINDSHIELD	1		
1	MS27039-1-05	..SCREW	6	1	B
2	AN960PD10L	..WASHER (REPLACED BY AN960JD10L)	6		B
2	AN960JD10L	..WASHER (REPLACES AN960PD10L) (REPLACED BY NAS1149D0332J)	6		B
2	NAS1149D0332J	..WASHER (REPLACES AN960JD10L)	6		B
3	206-031-109-011	..PLATE (MAKE FROM 50-8163PR-HC)	1		B
4	206-031-109-007	..FAIRING	1		A
5	206-031-109-005	..COVER	1	0	A
6	206-031-109-003	..POST	1		B
7	140-001-1	..WASHER	10	1	A
7	140-001-11	..WASHER	10	1	A
8	NAS1464-026-10-C	..CLIP	5		A
9	206-031-109-027	..NUTPLATE	1		B
10	WSI-4-9	..NUTPLATE	1	1	B
11	206-031-109-029	..NUTPLATE	1		B
12	WSI-4-9.5	..NUTPLATE	1	6	B
13	206-031-109-025	..BRACKET, LH	1		B
13	206-031-160-017	..CLIP, LH	1	6	CDE
14	206-031-109-026	..BRACKET, RH	1		B
14	206-031-160-018	..CLIP, RH	1	6	CDE
15	206-031-109-021	..BRACKET, LH	1		B
15	206-031-160-019	..CLIP, LH	1	0	CDE
16	206-031-109-022	..BRACKET, RH	1		B
16	206-031-160-020	..CLIP, RH	1		CDE
17	206-031-160-003	..CENTER POST ASSY	1	0	C
17	206-031-160-007	..CENTER POST ASSY	1	0	E
17	206-031-160-013	..CENTER POST ASSY (REPLACED BY 206-031-160-107)	1		P
17	206-031-160-107	..CENTER POST ASSY (REPLACES 206-031-160-013)	1	1	P

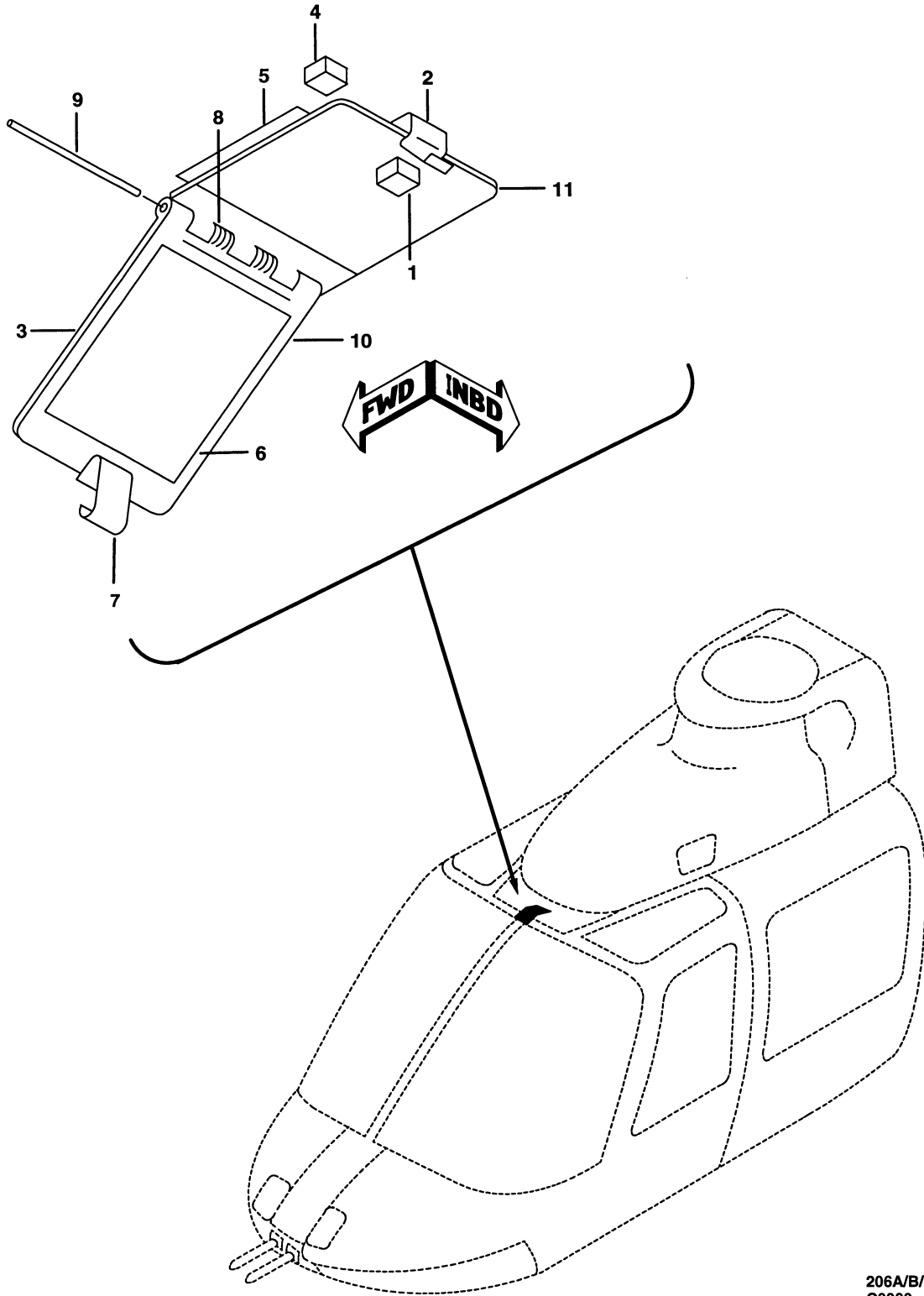
(1) INDEX NUMBER	(2) PART NUMBER	(3) ITEM NAME	(4) UNIT PER ASSY	(5) A V A I L	(6) U O C
		FIGURE: 53-1. Nose installation (Cont'd)			
17	206-031-160-119	..CENTER POST ASSY	1		AB
18	206-031-160-021	...NUTPLATE (USBL ON 206-031-160-003)	1		
18	WSI-5-4	...NUTPLATE (USBL ON 206-031-160-007 AND -013)	1		
19	WSI-4-9	...NUTPLATE (USBL ON 206-031-160-003, -007 AND -013)	6	1	
20	WSI-5-4.5	...NUTPLATE (USBL ON 206-031-160-007 AND -013)	1		
21	WSI-5-9.5	...NUTPLATE (USBL ON 206-031-160-007 AND -013)	1		
22	206-031-160-023	...NUTPLATE (USBL ON 206-031-160-003)	1		
22	WSI-5-4.5	...NUTPLATE (USBL ON 206-031-160-007 AND -013)	1		
23	WSI-5-9.5	...NUTPLATE (USBL ON 206-031-160-003, -007 AND -013)	1		
24	MS21059L3K	...NUTPLATE (USBL ON 206-031-160-107 AND -119)	6	1	
24A	MS21059L3K	...NUTPLATE	2	1	AB
25	206-031-160-015	...POST (USBL ON 206-031-160-003)	1		C
25	206-031-160-027	...POST (USBL ON 206-031-160-013)	1		
25	206-031-160-109	...POST (USBL ON 206-031-160-107 AND -119)	1		
26	206-031-160-111	...BRACKET	3		
26A	206-031-160-111	...BRACKET	1		AB
27	206-031-160-113	...BRACKET	3		BCEP
27A	206-031-160-115	...BRACKET	4		AB
	206-031-164-001	.FAIRING INSTL, CENTERPOST (REPLACED BY 206-031-164-017)	1		
	206-031-164-005	.FAIRING INSTL, CENTERPOST (REPLACED BY 206-031-164-017)	1		
	206-031-164-017	.FAIRING INSTL, CENTERPOST (REPLACES 206-031-164-001 AND -005)	1		
	206-031-164-105	.FAIRING INSTL, CENTERPOST	1		
28	MS27039-1-06	..SCREW	6	1	CDEHT
29	AN960PD10L	..WASHER (REPLACED BY AN960JD10L)	6		CDEHT
29	AN960JD10L	..WASHER (REPLACES AN960PD10L) (REPLACED BY NAS1149D0332J)	6		CDEHT
29	NAS1149D0332J	..WASHER (REPLACES AN960JD10L)	6		CDEHT
30	MS27039-1-06	..SCREW	2	1	C
31	AN960PD10L	..WASHER (REPLACED BY AN960JD10L)	2		C
31	AN960JD10L	..WASHER (REPLACES AN960PD10L) (REPLACED BY NAS1149D0332J)	2		C
31	NAS1149D0332J	..WASHER (REPLACES AN960JD10L)	2		C
31A	MS27039-1-09	..SCREW	8	1	AA
31B	NAS1149D0332K	..WASHER	8	1	AA
32	206-031-164-003	..FAIRING ASSY	1	0	CD
32	206-031-164-011	..FAIRING ASSY	1		FH
32	206-031-164-019	..FAIRING ASSY	1	1	T
32	206-031-630-103	..FAIRING ASSY	1		AB
33	DELETED			
	206-031-124-001	.SKIN INSTL, UPPER, NOSE, LH	1		
	206-031-124-009	.SKIN INSTL, UPPER, NOSE, LH	1		
	206-031-124-087	.SKIN INSTL, UPPER, NOSE, LH	1		
	206-031-124-095	.SKIN INSTL, UPPER, NOSE, LH	1		
	206-031-124-099	.SKIN INSTL, UPPER, NOSE, LH	1		
	206-031-124-141	.SKIN INSTL, UPPER, NOSE, LH	1		

(1) INDEX NUMBER	(2) PART NUMBER	(3) ITEM NAME	(4) UNIT PER ASSY	(5) A V A I L	(6) U O C
		FIGURE: 53-1. Nose installation (Cont'd)			
	206-031-124-002	..SKIN INSTL, UPPER, NOSE, RH	1		
	206-031-124-010	..SKIN INSTL, UPPER, NOSE, RH	1		
	206-031-124-089	..SKIN INSTL, UPPER, NOSE, RH	1		
	206-031-124-100	..SKIN INSTL, UPPER, NOSE, RH	1		
	206-031-124-105	..SKIN INSTL, UPPER, NOSE, RH	1		
	206-031-124-104	..SKIN INSTL, UPPER, NOSE, RH	1		
34	206-031-124-131	..SKIN ASSY, LH	1		L
34	206-031-124-149	..SKIN ASSY, LH	1		AA
34	206-031-124-012	..SKIN ASSY, RH	1		J
34	206-031-124-102	..SKIN ASSY, RH	1		U
34	206-031-124-132	..SKIN ASSY, RH	1		X
35	206-031-124-027	..SUPPORT, LH	1	0	BCDF
35	206-031-124-091	..SUPPORT, LH	1		P
36	206-031-124-028	..SUPPORT, RH	1	0	BCD
36	206-031-124-093	..SUPPORT, RH	1		FQ
37	206-031-124-015	..SUPPORT, LH	1		G
37	206-031-124-097	..SUPPORT, LH	1		R
38	206-031-124-016	..SUPPORT, RH	1	0	FCD
38	206-031-124-081	..SUPPORT, RH	1	0	F
38	206-031-124-083	..SUPPORT, RH	1	1	P
39	206-031-124-029	..SUPPORT, LH	1		
40	206-031-124-030	..SUPPORT, RH	1		
41	206-031-124-017	..SUPPORT, LH	1		
42	206-031-124-018	..SUPPORT, RH	1		
43	206-031-124-039	..RETAINER, LH	1		
44	206-031-124-040	..RETAINER, RH	1		
45	206-031-124-065	..RETAINER, LH	1		
46	206-031-124-066	..RETAINER, RH	1		
47	NAS686A08K	..NUTPLATE (REPLACED BY MS21059L08K)	3	0	
47	MS21059L08K	..NUTPLATE (REPLACES NAS686A08K)	3	1	
48	NAS1329A08K120	..RIVNUT, BLIND	4	1	
49	206-031-111-003	..DOOR ASSY, BATTERY ACCESS	1	0	A
49	206-031-111-007	..DOOR ASSY, BATTERY ACCESS	1	0	M
49	206-031-111-101	..DOOR ASSY, BATTERY ACCESS	1		Z
50	A3 1/2T22	..STUD (USBL ON 206-031-111-003)	2		A
50	2600-7S	..STUD (USBL ON 206-031-111-007 AND -101)	2	1	W
51	GH3 1/2	..GROMMET (USBL ON 206-031-111-003)	2	0	A
51	2600SW	..WASHER (USBL ON 206-031-111-007 AND -101) (REPLACED BY 2600-SW)	2		W
51	2600-SW	..WASHER (USBL ON 206-031-111-007 AND -101) (REPLACES 2600SW)	2	1	W
52	206-031-111-005	..DOOR ASSY (USBL ON 206-031-111-003)	1		A
52	206-031-111-009	..DOOR ASSY (USBL ON 206-033-111-007 AND -101)	1	6	N
53	206-031-111-019	..SEAL (USBL ON 206-031-111-003 AND -007) (MAKE FROM 110-023-4)	1	0	G
53	110-023-4	..SEAL (USBL ON 206-031-111-003 AND -007)	1		G
53	206-031-111-103	..SEAL (USBL ON 206-031-111-101) (MAKE FROM 110-023-4)	1	1	W
53	110-023-4	..SEAL (USBL ON 206-031-111-101)	1		W
54	140-001-1	..WASHER	8	1	

(1) INDEX NUMBER	(2) PART NUMBER	(3) ITEM NAME	(4) UNIT PER ASSY	(5) A V A I L	(6) U O C
		FIGURE: 53-1. Nose installation (Cont'd)			
55	206-031-111-023	..HINGE (USBL ON 206-031-111-003 AND -007)	1	1	K
55	206-031-111-115	..HINGE (USBL ON 206-031-111-101)	1	1	X
56	206-031-111-021	..SHIM	1	1	
	206-033-177-101	.DOOR INSTL, BATTERY ACCESS	1		AA
57	MS21042L3	..NUT (NOTE 1)	2	1	
58	MS9303-106	..STUD (NOTE 1)	2	1	Z
59	20-090-3	..BUSHING (NOTE 1)	2	1	
60	30-033-5-8C	..LANYARD ASSY (NOTE 1) (REPLACED BY 30-033-22-8C)	2		
60	30-033-22-8C	..LANYARD ASSY (NOTE 1) (REPLACES 30-033-5-8C) . . .	2	1	
61	AN960JD10L	..WASHER (REPLACED BY NAS1149D0332J)	2		
61	NAS1149D0332J	..WASHER (REPLACES AN960JD10L)	2		
62	20-042-23-5	..RADIUS BLOCK	2	0	
63	AN960PD10	..WASHER (NOTE 1) (REPLACED BY AN960JD10)	4		
63	AN960JD10	..WASHER (NOTE 1) (REPLACES AN960PD10) (REPLACED . BY NAS1149D0363J)	4		
63	NAS1149D0363J	..WASHER (NOTE 1) (REPLACES AN960JD10)	4		
64	AN960PD10L	..WASHER (NOTE 1) (REPLACED BY AN960JD10L)	2		
64	AN960JD10L	..WASHER (NOTE 1) (REPLACES AN960PD10L) (REPLACED BY NAS1149D0332J)	2		
64	NAS1149D0332J	..WASHER (NOTE 1) (REPLACES AN960JD10L)	2		
65	120-098-05D6	..SHIM	2		
66	AN960PD4	..WASHER (REPLACED BY AN960JD4)	2		
66	AN960JD4	..WASHER (REPLACES AN960PD4) (REPLACED BY NAS1149DN432J)	2	1	
66	NAS1149DN432J	..WASHER (REPLACES AN960JD4)	2		
67	206-033-177-103	..DOOR ASSY	1		
68	206-031-177-121	..SEAL (MAKE FROM 110-070-33 X 52.2)	1		
68	110-070-33	..SEAL	1		
69	2600-8S	..STUD	2	1	
70	2600-SW	..WASHER	2	1	
71	MS20253P2-650	..PIN (MAKE FROM MS20253P2)	1		
71	MS20253P2	..PIN	1		
72	206-033-179-101	..SPRING	2	1	
	206-033-177-117	..HINGE HALF (MAKE FROM MS20001PY4-650)	1	6	
	MS20001PY4-650	..HINGE HALF	1		
73	MS20001PY4	..HINGE HALF	1		
	206-033-177-119	..HINGE HALF (MAKE FROM MS20001PX4-650)	1	6	
	MS20001PX4-650	..HINGE HALF	1		
74	MS20001PX4	..HINGE HALF	1		
75	206-033-177-115	..DOOR	1		
76	206-033-177-123	..SUPPORT	1	6	
77	206-033-180-101	..SPACER	2	6	
78	120-098-05C79	..SHIM	1	6	
	206-031-145-007	.MOUNT INSTL	1		E
	206-031-145-021	.MOUNT INSTL	1		H
	206-031-259-001	.MOUNT INSTL	1		U
79	MS27039DD0808	..SCREW	4	1	
80	AN960PD8L	..WASHER (REPLACED BY AN960JD8L)	4		

(1) INDEX NUMBER	(2) PART NUMBER	(3) ITEM NAME	(4) UNIT PER ASSY	(5) A V A I L	(6) U O C
		FIGURE: 53-1. Nose installation (Cont'd)			
80	AN960JD8L	.. WASHER (REPLACES AN960PD8L) (REPLACED BY NAS1149DN816J)	4	1	
80	NAS1149DN816J	.. WASHER (REPLACES AN960JD8L)	4		
81	206-031-145-009	.. MOUNT ASSY (USBL ON 206-031-145-007)	1		
81	206-031-145-023	.. MOUNT ASSY (USBL ON 206-031-145-021)	1	0	
81	206-031-259-003	.. MOUNT ASSY (USBL ON 206-031-259-001)	1	1	
	206-031-152-001	.. STAY INSTL, BATTERY DOOR.	1		
82	AN960PD10L	.. WASHER (REPLACED BY AN960JD10L)	2		
82	AN960JD10L	.. WASHER (REPLACES AN960PD10L) (REPLACED BY NAS1149D0332J)	2		Q
82	NAS1149D0332J	.. WASHER (REPLACES AN960JD10L)	2		
83	MS20392-2C19	.. PIN (REPLACED BY MS20392-2S19)	2		
83	MS20392-2S19	.. PIN (REPLACES MS20392-2C19)	2	1	
84	206-031-155-001	.. SPRING	1	1	
85	206-031-154-001	.. BRACKET	1		
86	206-031-153-001	.. LEVER	1	1	
87	206-031-152-005	.. FILLER	2	1	
		NOTE 1: 30-033-5-8C LANYARD ASSY, AN960PD10 WASHER AND AN960PD10L WASHER IS REPLACED BY 30-033-22-8C LANYARD ASSY, MS9303-106 STUD, 20-090-3 BUSHING, AN960JD10L WASHER AND MS21042L3 NUT AS A UNIT.			

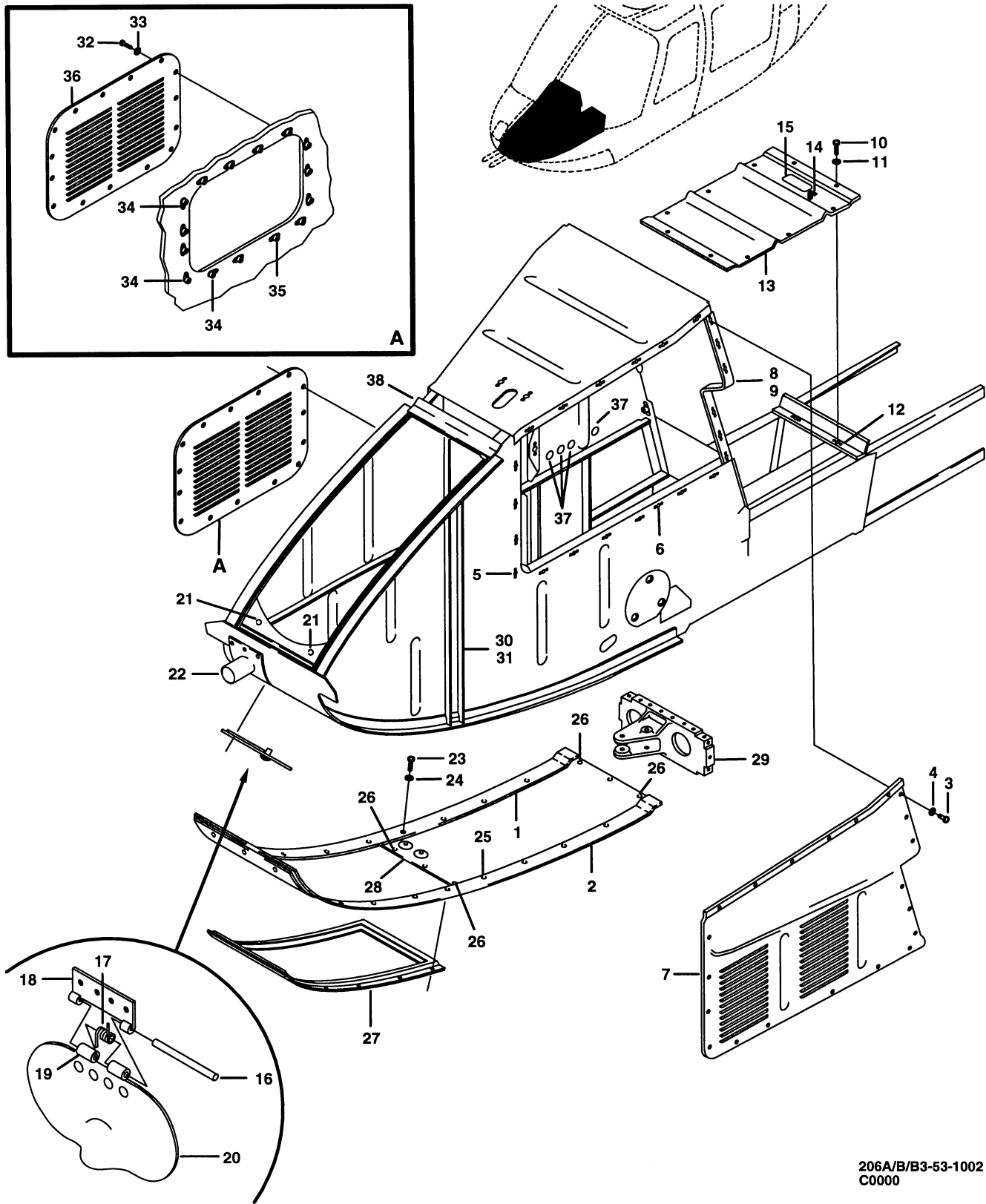
(1) INDEX NUMBER	(2) PART NUMBER	(3) ITEM NAME	(4) UNIT PER ASSY	(5) A V A I L	(6) U O C																																																																																	
		<p>FIGURE: 53-1. Nose installation (Cont'd)</p> <p style="text-align: center;">USABLE ON CODES</p> <table border="0" style="width: 100%;"> <thead> <tr> <th style="text-align: left;">CODE</th> <th style="text-align: left;">MODEL</th> <th style="text-align: left;">SERIAL NUMBER</th> </tr> </thead> <tbody> <tr><td>A</td><td>206A</td><td>4-53</td></tr> <tr><td>AA</td><td>206BIII</td><td>3567-SUB</td></tr> <tr><td>AB</td><td>206BIII</td><td>4360-SUB</td></tr> <tr><td>B</td><td>206A</td><td>4-103</td></tr> <tr><td>C</td><td>206A</td><td>104-153</td></tr> <tr><td>D</td><td>206A</td><td>154-253</td></tr> <tr><td>E</td><td>206A</td><td>154-413</td></tr> <tr><td>F</td><td>206A</td><td>254-413</td></tr> <tr><td>G</td><td>206A/B</td><td>4-837</td></tr> <tr><td>H</td><td>206A/B</td><td>414-1563</td></tr> <tr><td>J</td><td>206A/B/BIII</td><td>4-2488</td></tr> <tr><td>K</td><td>206A/B/BIII</td><td>4-2797</td></tr> <tr><td>L</td><td>206A/B/BIII</td><td>4-4168</td></tr> <tr><td>M</td><td>206A/B/BIII</td><td>54-3216</td></tr> <tr><td>N</td><td>206A/B/BIII</td><td>54-4128</td></tr> <tr><td>P</td><td>206A/B/BIII</td><td>414-4359</td></tr> <tr><td>Q</td><td>206A/B/BIII</td><td>414-SUB</td></tr> <tr><td>R</td><td>206B/BIII</td><td>1564-4128</td></tr> <tr><td>S</td><td>206B/BIII</td><td>838-SUB</td></tr> <tr><td>T</td><td>206B/BIII</td><td>1564-4359</td></tr> <tr><td>U</td><td>206B/BIII</td><td>1564-SUB</td></tr> <tr><td>V</td><td>206BIII</td><td>2489-2893</td></tr> <tr><td>W</td><td>206BIII</td><td>2798-4128</td></tr> <tr><td>X</td><td>206BIII</td><td>2798-SUB</td></tr> <tr><td>Y</td><td>206BIII</td><td>2894-SUB</td></tr> <tr><td>Z</td><td>206BIII</td><td>3217-4128</td></tr> </tbody> </table> <p>1) UNLESS A USABLE ON PART NUMBER IS LISTED IN THE ITEM NAME COLUMN; NO CODE INDICATES THE PART APPLIES TO ALL SERIAL NUMBERS.</p> <p>2) IF THE SERIAL NUMBER IS BLANK THE PART APPLIES TO ALL SERIAL NUMBERS FOR THAT MODEL.</p>	CODE	MODEL	SERIAL NUMBER	A	206A	4-53	AA	206BIII	3567-SUB	AB	206BIII	4360-SUB	B	206A	4-103	C	206A	104-153	D	206A	154-253	E	206A	154-413	F	206A	254-413	G	206A/B	4-837	H	206A/B	414-1563	J	206A/B/BIII	4-2488	K	206A/B/BIII	4-2797	L	206A/B/BIII	4-4168	M	206A/B/BIII	54-3216	N	206A/B/BIII	54-4128	P	206A/B/BIII	414-4359	Q	206A/B/BIII	414-SUB	R	206B/BIII	1564-4128	S	206B/BIII	838-SUB	T	206B/BIII	1564-4359	U	206B/BIII	1564-SUB	V	206BIII	2489-2893	W	206BIII	2798-4128	X	206BIII	2798-SUB	Y	206BIII	2894-SUB	Z	206BIII	3217-4128			
CODE	MODEL	SERIAL NUMBER																																																																																				
A	206A	4-53																																																																																				
AA	206BIII	3567-SUB																																																																																				
AB	206BIII	4360-SUB																																																																																				
B	206A	4-103																																																																																				
C	206A	104-153																																																																																				
D	206A	154-253																																																																																				
E	206A	154-413																																																																																				
F	206A	254-413																																																																																				
G	206A/B	4-837																																																																																				
H	206A/B	414-1563																																																																																				
J	206A/B/BIII	4-2488																																																																																				
K	206A/B/BIII	4-2797																																																																																				
L	206A/B/BIII	4-4168																																																																																				
M	206A/B/BIII	54-3216																																																																																				
N	206A/B/BIII	54-4128																																																																																				
P	206A/B/BIII	414-4359																																																																																				
Q	206A/B/BIII	414-SUB																																																																																				
R	206B/BIII	1564-4128																																																																																				
S	206B/BIII	838-SUB																																																																																				
T	206B/BIII	1564-4359																																																																																				
U	206B/BIII	1564-SUB																																																																																				
V	206BIII	2489-2893																																																																																				
W	206BIII	2798-4128																																																																																				
X	206BIII	2798-SUB																																																																																				
Y	206BIII	2894-SUB																																																																																				
Z	206BIII	3217-4128																																																																																				



206A/B/B3-53-1001A-1
C0000

Figure 53-2. Bracket installation, airspeed decal

(1) INDEX NUMBER	(2) PART NUMBER	(3) ITEM NAME	(4) UNIT PER ASSY	(5) A V A I L	(6) U O C
		FIGURE: 53-2. Bracket installation, airspeed decal			
	206-072-715-001	BRACKET INSTL, AIRSPEED DECAL	1		
	206-072-715-005	BRACKET INSTL, AIRSPEED DECAL	1		
	206-072-715-103	BRACKET INSTL, AIRSPEED DECAL	1		
1	206-072-715-019	.PAD	1		A
1	206-072-715-025	.PAD	1		C
2	206-072-713-003	.SPRING	1		A
3	206-072-715-003	.BRACKET ASSY	1		A
3	206-072-715-007	.BRACKET ASSY	1		B
3	206-072-715-105	.BRACKET ASSY	1		D
4	206-072-715-019	..PAD (USBL ON 206-072-715-001)	1		
4	206-072-715-025	..PAD (USBL ON 206-072-715-005 AND -103)	1		
5	206-072-683-003	..DECAL (AIRSPEED LIMITATIONS) (PRE 206-SI-128) . . (USBL ON 206-072-715-003 AND -007)	1		
5	206-072-341-103	..DECAL (AIRSPEED LIMITATIONS) (POST 206-SI-128) (USBL ON 206-072-715-003)	1		
5	206-072-628-103	..DECAL (AIRSPEED LIMITATIONS) (PRE 206-SI-128) . . (USBL ON 206-072-715-105)	1		
5	206-072-341-107	..DECAL (AIRSPEED LIMITATIONS) (POST 206-SI-128) (USBL ON 206-072-715-105)	1		
6	206-072-683-005	..DECAL (AIRSPEED LIMITATIONS) (PRE 206-SI-128) . . (USBL ON 206-072-715-003 AND -007)	1		
6	206-072-341-101	..DECAL (AIRSPEED LIMITATIONS) (POST 206-SI-128) (USBL ON 206-072-715-003 AND -007)	1		
6	206-072-628-101	..DECAL (AIRSPEED LIMITATIONS) (PRE 206-SI-128) . . (USBL ON 206-072-715-105)	1		
6	206-072-341-105	..DECAL (AIRSPEED LIMITATIONS) (POST 206-SI-128) (USBL ON 206-072-715-105)	1		
7	206-072-713-001	..SPRING	1		
8	206-072-714-001	..SPRING (USBL ON 206-072-715-007 AND -105)	1		
9	MS20253P2-350	..PIN	1		
10	MS20257-5-350	..HINGE HALF (USBL ON 206-072-715-003)	1		
11	MS20257Y5-350	..HINGE HALF (USBL ON 206-072-715-007 AND -105) . .	1		
		USABLE ON CODES			
		CODE MODEL SERIAL NUMBER			
		A 206BIII 2212-2428			
		B 206BIII 2429-2645			
		C 206BIII 2429-3216			
		D 206BIII 2644-3216			
		1) UNLESS A USABLE ON PART NUMBER IS LISTED IN THE ITEM NAME COLUMN; NO CODE INDICATES THE PART APPLIES TO ALL SERIAL NUMBERS.			
		2) IF THE SERIAL NUMBER IS BLANK THE PART APPLIES TO ALL SERIAL NUMBERS FOR THAT MODEL.			

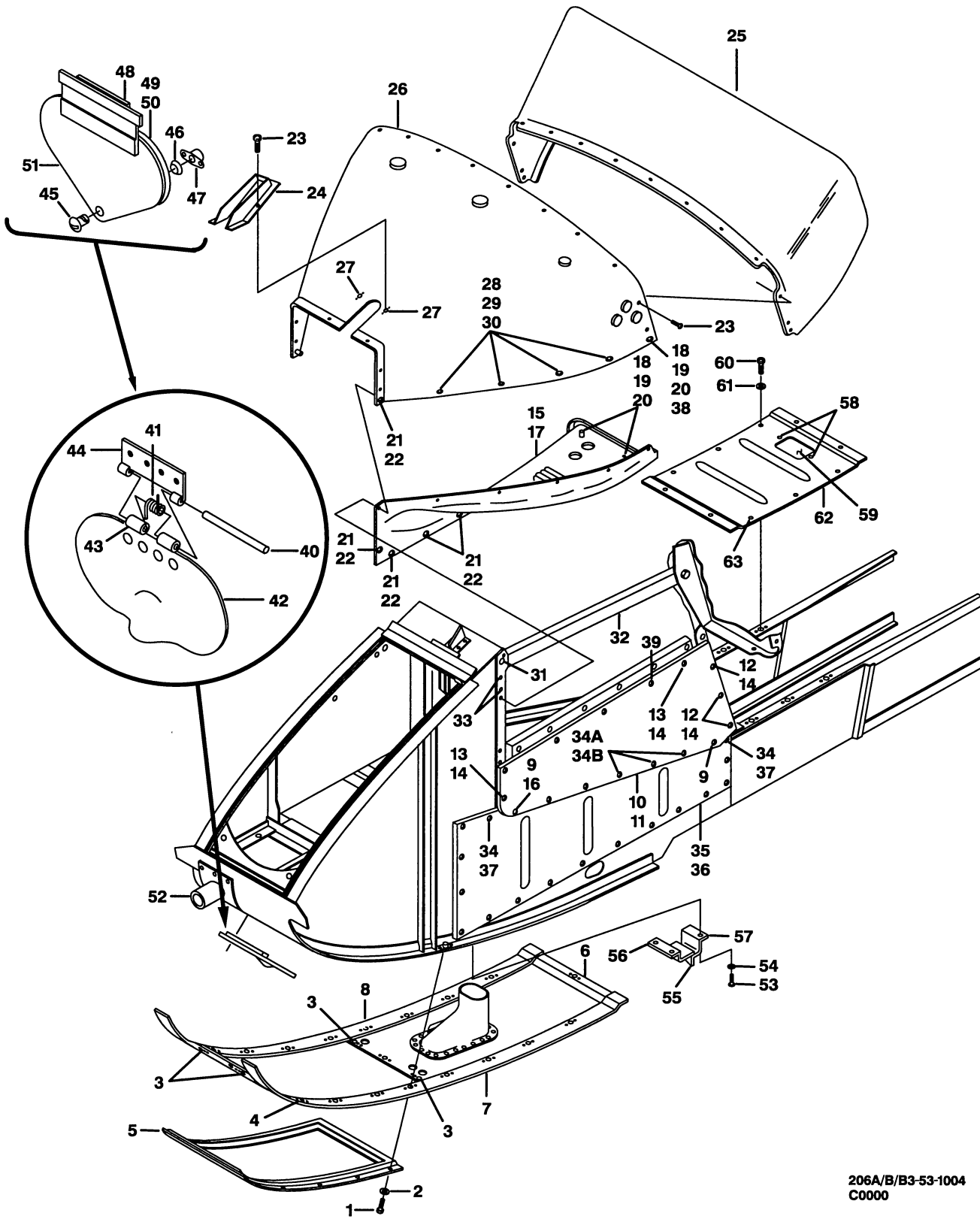


206A/B/B3-53-1002
C0000

Figure 53-3. Console installation (S/N 4 thru 153)

(1) INDEX NUMBER	(2) PART NUMBER	(3) ITEM NAME	(4) UNIT PER ASSY	(5) A V A I L	(6) U O C
		FIGURE: 53-3. Console installation (S/N 4 thru 153)			
	206-031-110-007	CONSOLE INSTL	1		
	206-031-110-011	CONSOLE INSTL	1		
	206-031-110-215	CONSOLE INSTL	1		
1	206-031-110-161	.COVER	1		
2	206-031-110-163	.COVER	1		
	206-031-110-009	.CONSOLE ASSY (USBL ON 206-031-110-007)	1		A
	206-031-110-013	.CONSOLE ASSY (USBL ON 206-031-110-011)	1		B
	206-031-110-217	.CONSOLE ASSY (USBL ON 206-031-110-215)	1		C
3	MS27039-1-04	.. SCREW	25		
4	AN960JD10L	.. WASHER	25		
5	NAS696A3K	.. NUTPLATE (REPLACED BY MS21071L3K)	1		
5	MS21071L3K	.. NUTPLATE (REPLACES NAS696A3K)	1		
6	NAS697A3K	.. NUTPLATE (REPLACED BY MS21069L3K)	24		
6	MS21069L3K	.. NUTPLATE (REPLACES NAS697A3K)	24		
7	206-031-110-155	.. DOOR	1		
8	206-031-110-153	.. ANGLE, LH	1		
9	206-031-110-154	.. ANGLE, RH	1		
10	MS27039-1-04	.. SCREW	10		
11	AN960PD10L	.. WASHER (REPLACED BY AN960JD10L)	10		
11	AN960JD10L	.. WASHER (REPLACES AN960PD10L)	10		
12	NAS697A3K	.. NUTPLATE (REPLACED BY MS21069L3K)	10		
12	MS21069L3K	.. NUTPLATE (REPLACES NAS697A3K)	10		
13	206-031-110-207	.. DOOR (NOTE 1)	1		D
13	206-031-110-219	.. DOOR (NOTE 1)	1		
14	AN743-13	.. BRACKET	2		
15	Z26-54-28	.. BOX (NOTE 1)	1		D
15	Z26-48-28	.. BOX (NOTE 1)	1		
16	AN253-2-190	.. PIN	1		
17	204-030-150-001	.. SPRING	1		
18	204-030-277-011	.. HINGE HALF	1		
19	204-030-277-013	.. HINGE HALF	1		
20	206-031-110-037	.. DOOR	1		
21	RF3 1-2X734	.. RECEPTACLE	2		A
21	212-12SD	.. RECEPTACLE	2		E
	206-031-143-001	.. SUPPORT INSTL	1		
22	206-031-143-003	.. SUPPORT ASSY	1		
23	MS27039-1-04	.. SCREW	25		
24	AN960PD10L	.. WASHER (REPLACED BY AN960JD10L)	25		
24	AN960JD10L	.. WASHER (REPLACES AN960PD10L)	25		
25	NAS697A3K	.. NUTPLATE (REPLACED BY MS21069L3K)	21		
25	MS21069L3K	.. NUTPLATE (REPLACES NAS697A3K)	21		
26	NAS696A3K	.. NUTPLATE (REPLACED BY MS21071L3K)	4		
26	MS21071L3K	.. NUTPLATE (REPLACES NAS696A3K)	4		
	206-031-129-005	.. SUPPORT INSTL, LANDING LIGHT	1		
27	206-031-129-003	.. WINDOW ASSY	1		
28	206-031-110-005	.. DOOR	1		
29	206-030-111-003	.. SUPPORT INSTL	1		
30	206-031-110-251	.. STIFFENER, LH	1		C
31	206-031-110-252	.. STIFFENER, RH	1		C
32	MS27039-1-04	.. SCREW	15		

(1) INDEX NUMBER	(2) PART NUMBER	(3) ITEM NAME	(4) UNIT PER ASSY	(5) A V A I L	(6) U O C
		FIGURE: 53-3. Console installation (S/N 4 thru 153) (Cont'd)			
33	AN960PD10L	..WASHER (REPLACED BY AN960JD10L)	15		
33	AN960JD10L	..WASHER (REPLACES AN960PD10L)	15		
34	NAS696A3K	..NUTPLATE (REPLACED BY MS21071L3K)	3		
34	MS21071L3K	..NUTPLATE (REPLACES NAS696A3K)	3		
35	NAS697A3K	..NUTPLATE (REPLACED BY MS21069L3K)	12		
35	MS21069L3K	..NUTPLATE (REPLACES NAS697A3K)	12		
36	206-031-110-149	..DOOR	1		
37	P437	..PLUG (REPLACED BY 100-050B437)	4		
37	100-050B437	..PLUG BUTTON (REPLACES P437)	4		
38	206-031-110-075	..ANGLE	1		
		NOTE 1: 206-031-110-219 DOOR AND Z26-48-28 BOX, AS A UNIT, REPLACES 206-031-110-007 DOOR AND Z26-54-28 BOX AS A UNIT.			
		USABLE ON CODES			
		CODE MODEL SERIAL NUMBER			
		A 206A 4-53			
		B 206A 54-103			
		C 206A 104-153			
		D 206A 4-103			
		E 206A 54-153			
		1) UNLESS A USABLE ON PART NUMBER IS LISTED IN THE ITEM NAME COLUMN; NO CODE INDICATES THE PART APPLIES TO ALL SERIAL NUMBERS.			
		2) IF THE SERIAL NUMBER IS BLANK THE PART APPLIES TO ALL SERIAL NUMBERS FOR THAT MODEL.			



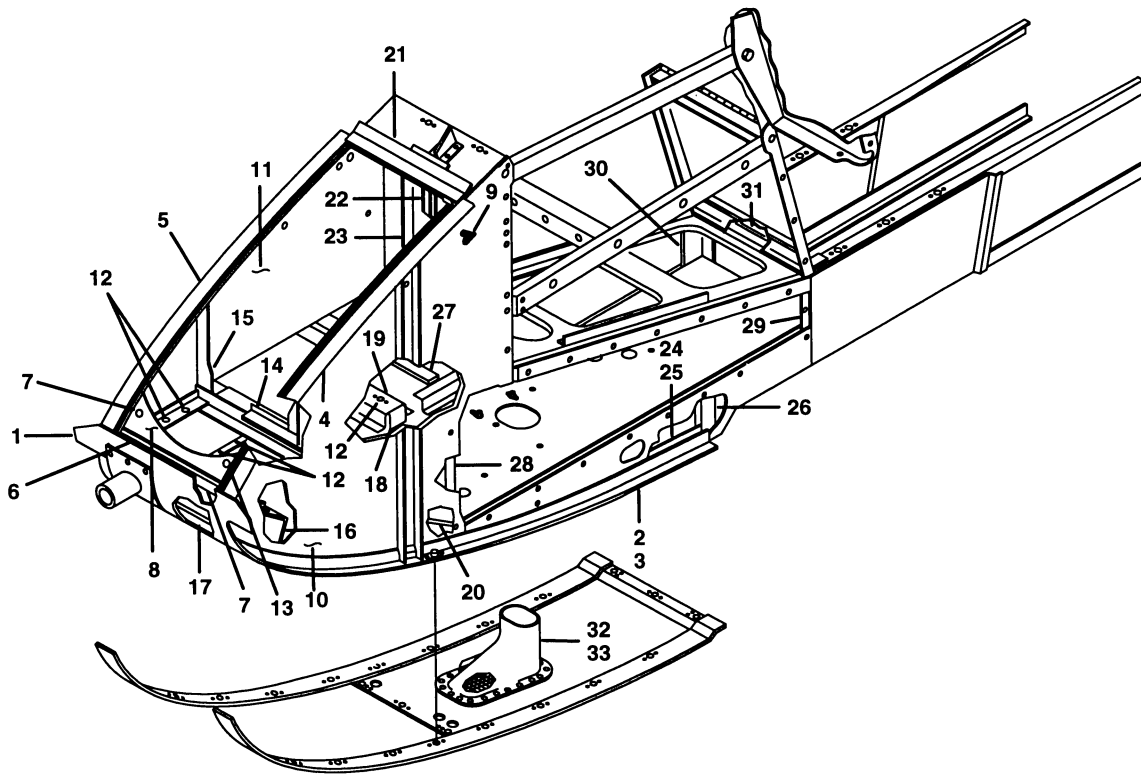
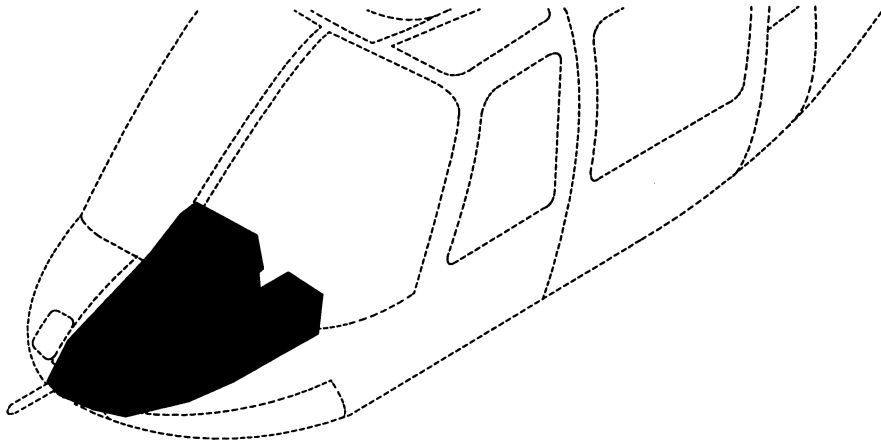
206A/B/B3-53-1004
C0000

Figure 53-4. Console installation (S/N 154 thru 913)

(1) INDEX NUMBER	(2) PART NUMBER	(3) ITEM NAME	(4) UNIT PER ASSY	(5) A V A I L	(6) U O C
		FIGURE: 53-4. Console installation (S/N 154 thru 913)			
	206-031-210-005	CONSOLE INSTL	1		
	206-031-210-009	CONSOLE INSTL	1		
	206-031-210-373	CONSOLE INSTL	1		
	206-031-210-297	CONSOLE INSTL	1		
	206-031-210-361	CONSOLE INSTL	1		
	206-031-210-419	CONSOLE INSTL	1		
1	MS27039-1-08	.SCREW	25	1	
2	AN960PD10L	.WASHER (REPLACES BY AN960JD10L)	25		
2	AN960JD10L	.WASHER (REPLACES AN960PD10L) (REPLACED BY NAS1149D0332J)	25		
2	NAS1149D0332J	.WASHER (REPLACES AN960JD10L)	25		
3	NAS696A3K	.NUTPLATE (REPLACED BY MS21071L3K)	4		
3	MS21071L3K	.NUTPLATE (REPLACES NAS696A3K)	4	1	
4	NAS697A3K	.NUTPLATE (REPLACED BY MS21069L3K)	19		
4	MS21069L3K	.NUTPLATE (REPLACES NAS697A3K)	19	1	
5	206-031-210-149	.WINDOW ASSY	1	1	B
5	206-031-210-305	.WINDOW ASSY	1		J
6	206-031-210-147	.DOOR ASSY	1		C
6	206-031-210-389	.DOOR ASSY	1	1	K
7	206-031-210-125	.RETAINER, LH	1		ADJ
8	206-031-210-127	.RETAINER, RH	1		ADJ
9	MS27039-1-09	.SCREW	14	1	
10	206-031-210-287	.COVER ASSY, LH	1		
11	206-031-210-288	.COVER ASSY, RH	1	1	
12	UA3T15	..STUD	3	1	
13	UA3T10	..STUD	7	1	
14	GH3	..GROMMET	10	1	
15	206-031-210-293	.COVER ASSY, LH	1		C
15	206-031-210-423	.COVER ASSY, LH	1		L
16	NAS697A3	.NUTPLATE (REPLACED BY MS21069L3)	14		
16	MS21069L3	.NUTPLATE (REPLACES NAS697A3)	14	1	
17	206-031-210-294	.COVER ASSY, RH	1		H
17	206-031-210-424	.COVER ASSY, RH	1		H
18	UA3T20	..STUD	4	1	
19	GH3	..GROMMET	4	1	
20	URA3	..RECEPTACLE	3	1	
21	UA3T15	..STUD	6	1	
22	GH3	..GROMMET	6	1	
	206-031-210-007	.CONSOLE ASSY (SEE FIG. 5 FOR BALANCE OF BREAKDOWN) (USBL ON 206-031-210-005)	1		A
	206-031-210-011	.CONSOLE ASSY (SEE FIG. 5 FOR BALANCE OF BREAKDOWN) (USBL ON 206-031-210-009)	1		G
	206-031-210-375	.CONSOLE ASSY (SEE FIG. 5 FOR BALANCE OF BREAKDOWN) (USBL ON 206-031-210-373)	1		D
	206-031-210-299	.CONSOLE ASSY (SEE FIG. 5 FOR BALANCE OF BREAKDOWN) (USBL ON 206-031-210-297)	1		E
	206-031-210-363	.CONSOLE ASSY (SEE FIG. 5 FOR BALANCE OF BREAKDOWN) (USBL ON 206-031-210-361)	1	0	H
	206-031-210-421	.CONSOLE ASSY (SEE FIG. 5 FOR BALANCE OF BREAKDOWN) (USBL ON 206-031-210-419)	1	0	L

(1) INDEX NUMBER	(2) PART NUMBER	(3) ITEM NAME	(4) UNIT PER ASSY	(5) A V A I L	(6) U O C
		FIGURE: 53-4. Console installation (S/N 154 thru 913) (Cont'd)			
23	MS27039-0808	..SCREW	20	1	
24	206-031-210-371	..COVER	1	0	D
24	206-031-210-365	..COVER	1		J
25	206-031-210-315	..GLARESHIELD ASSY	1	1	
		(ALTERNATE PART)			
25	206-031-232-001	..GLARESHIELD ASSY	1		
26	206-031-210-321	..COVER ASSY	1		B
26	206-031-210-323	..COVER ASSY	1	0	F
26	206-031-210-431	..COVER ASSY	1		L
27	NAS697A3	..NUTPLATE (REPLACED BY MS21069L3)	2		
27	MS21069L3	..NUTPLATE (REPLACES NAS697A3)	2	1	
28	UA3T15	..STUD	8	1	
29	GH3	..GROMMET	8	1	
30	URA3	..RECEPTACLE	8	1	
31	AN509-10R10	..SCREW (REPLACED BY MS24694S52)	2		
31	MS24694S52	..SCREW (REPLACES AN509-10R10) (REPLACED BY MS24694-S52)	2		
31	MS24694-S52	..SCREW (REPLACES MS24694S52)	2	1	
32	206-031-207-001	..STAY ASSY	2		
33	NAS697A08	..NUTPLATE (REPLACED BY MS21069L08)	4	6	
33	MS21069L08	..NUTPLATE (REPLACES NAS697A08)	4	1	
34	MS27039-1-08	..SCREW	32	1	
34A	MS24694-S51	..SCREW	6	1	
34B	NAS1169DD10L	..WASHER	6	1	
35	206-031-210-213	..DOOR, LH	1		
36	206-031-210-214	..DOOR, RH	1		
37	NAS697A3	..NUTPLATE (REPLACED BY MS21069L3)	32		
37	MS21069L3	..NUTPLATE (REPLACES NAS697A3)	32	1	
38	NAS683A3	..NUTPLATE	1		
39	URA3	..RECEPTACLE	12	1	
40	AN253-2-190	..PIN	1		B
41	204-030-150-001	..SPRING	1	1	B
42	206-031-210-067	..DOOR	1	0	B
43	204-030-277-013	..HINGE HALF	1		B
44	204-030-277-011	..HINGE HALF	1	1	B
45	A3 1-2T9	..FASTENER (REPLACED BY 50-007A9)	1		J
45	50-007A9	..STUD (REPLACES A3 1-2T9)	1	1	J
46	GH3 1-2	..GROMMET (REPLACED BY 50-009-2)	1		J
46	50-009-2	..GROMMET (REPLACES GH3 1-2)	1	1	J
47	R3 1-2	..FASTENER (REPLACED BY 50-008R2)	1		J
47	50-008R2	..RECEPTACLE (REPLACES R3 1-2)	1	1	J
48	206-031-210-313	..HINGE HALF (MAKE FROM MS20257C4)	1	0	J
48	MS20257C4	..HINGE HALF	1	6	J
49	206-031-210-301	..SEAL	1		E
50	206-031-210-327	..SEAL (MAKE FROM 110-076-2400)	1	0	J
50	110-076-2400	..SEAL	1		J
51	206-031-210-325	..DOOR	1		K
	206-031-143-001	..SUPPORT INSTL	1		
52	206-031-143-003	..SUPPORT ASSY	1		

(1) INDEX NUMBER	(2) PART NUMBER	(3) ITEM NAME	(4) UNIT PER ASSY	(5) A V A I L	(6) U O C																																				
FIGURE: 53-4. Console installation (S/N 154 thru 913) (Cont'd)																																									
53	MS27039-0809	..SCREW	3	1																																					
54	AN960PD8L	..WASHER (REPLACED BY AN960JD8L)	3																																						
54	AN960JD8L	..WASHER (REPLACES AN960PD8L) (REPLACED BY NAS1149DN816J)	3	1																																					
54	NAS1149DN816J	..WASHER (REPLACES AN960JD8L)	3																																						
	206-031-209-003	..SUPPORT INSTL	1		L																																				
55	206-031-209-023	..BLOCK	1	6																																					
56	206-031-209-025	..SUPPORT	1	6																																					
57	206-031-209-019	..SUPPORT	1	6																																					
58	20-038-1	..CLIP	2	1																																					
59	Z36-48-28	..BOX	1																																						
60	MS27039-1-08	..SCREW	10	1																																					
61	AN960PD10L	..WASHER (REPLACED BY AN960JD10L)	10																																						
61	AN960JD10L	..WASHER (REPLACES AN960PD10L) (REPLACED BY NAS1149D0332J)	10																																						
61	NAS1149D0332J	..WASHER (REPLACES AN960JD10L)	10																																						
62	206-031-210-137	..DOOR	1	1																																					
63	NAS697A3	..NUTPLATE (REPLACED BY MS21069L3)	10																																						
63	MS21069L3	..NUTPLATE (REPLACES NAS697A3)	10	1																																					
<p>USABLE ON CODES</p> <table border="0"> <thead> <tr> <th>CODE</th> <th>MODEL</th> <th>SERIAL NUMBER</th> </tr> </thead> <tbody> <tr><td>A</td><td>206A</td><td>154-203</td></tr> <tr><td>B</td><td>206A</td><td>154-303</td></tr> <tr><td>C</td><td>206A</td><td>154-413</td></tr> <tr><td>D</td><td>206A</td><td>254-303</td></tr> <tr><td>E</td><td>206A</td><td>304-413</td></tr> <tr><td>F</td><td>206A</td><td>304-583</td></tr> <tr><td>G</td><td>206A</td><td>204-253</td></tr> <tr><td>H</td><td>206A/B</td><td>414-583</td></tr> <tr><td>J</td><td>206A/B</td><td>304-913</td></tr> <tr><td>K</td><td>206A/B</td><td>414-913</td></tr> <tr><td>L</td><td>206A/B</td><td>584-913</td></tr> </tbody> </table> <p>1) UNLESS A USABLE ON PART NUMBER IS LISTED IN THE ITEM NAME COLUMN; NO CODE INDICATES THE PART APPLIES TO ALL SERIAL NUMBERS.</p> <p>2) IF THE SERIAL NUMBER IS BLANK THE PART APPLIES TO ALL SERIAL NUMBERS FOR THAT MODEL.</p>						CODE	MODEL	SERIAL NUMBER	A	206A	154-203	B	206A	154-303	C	206A	154-413	D	206A	254-303	E	206A	304-413	F	206A	304-583	G	206A	204-253	H	206A/B	414-583	J	206A/B	304-913	K	206A/B	414-913	L	206A/B	584-913
CODE	MODEL	SERIAL NUMBER																																							
A	206A	154-203																																							
B	206A	154-303																																							
C	206A	154-413																																							
D	206A	254-303																																							
E	206A	304-413																																							
F	206A	304-583																																							
G	206A	204-253																																							
H	206A/B	414-583																																							
J	206A/B	304-913																																							
K	206A/B	414-913																																							
L	206A/B	584-913																																							



206A/B/B3-53-1003A
C0000

Figure 53-5. Console assembly (S/N 154 thru 913)

(1) INDEX NUMBER	(2) PART NUMBER	(3) ITEM NAME	(4) UNIT PER ASSY	(5) A V A I L	(6) U O C
		FIGURE: 53-5. Console assembly (S/N 154 thru 913)			
	206-031-210-007	CONSOLE ASSY (SEE FIG. 4 FOR BALANCE OF BREAKDOWN)	REF		A
	206-031-210-011	CONSOLE ASSY (SEE FIG. 4 FOR BALANCE OF BREAKDOWN)	REF		E
	206-031-210-375	CONSOLE ASSY (SEE FIG. 4 FOR BALANCE OF BREAKDOWN)	REF		F
	206-031-210-299	CONSOLE ASSY (SEE FIG. 4 FOR BALANCE OF BREAKDOWN)	REF		G
	206-031-210-363	CONSOLE ASSY (SEE FIG. 4 FOR BALANCE OF BREAKDOWN)	REF		K
	206-031-210-421	CONSOLE ASSY (SEE FIG. 4 FOR BALANCE OF BREAKDOWN)	REF		L
1	206-031-210-027	.SKIN	1		C
1	206-031-210-311	.SKIN	1		J
2	206-031-210-233	.SUPPORT, LH	1		
3	206-031-210-235	.SUPPORT, RH	1		
4	206-031-210-243	.ANGLE, LH	1		C
4	206-031-210-397	.STIFFENER, LH	1		J
5	206-031-210-245	.ANGLE, RH	1		C
5	206-031-210-399	.STIFFENER, RH	1		J
6	206-031-210-047	.DOUBLER	1		
7	212-125D	.RECEPTACLE	2		
8	206-031-210-045	.DOUBLER	1		C
8	206-031-210-383	.DOUBLER	1		J
9	AN743-13	.BRACKET	1		
10	206-031-210-209	.SKIN, LH	1		A
10	206-031-210-273	.SKIN, LH	1		E
10	206-031-210-403	.SKIN, LH	1		F
10	206-031-210-379	.SKIN, LH	1		DE
10	206-031-210-445	.SKIN, LH	1		F
11	206-031-210-211	.SKIN, RH	1		A
11	206-031-210-275	.SKIN, RH	1		E
11	206-031-210-405	.SKIN, RH	1		F
11	206-031-210-381	.SKIN, LH	1		J
12	NAS696A4	.NUTPLATE (REPLACED BY MS21071L4)	6		
12	MS21071L4	.NUTPLATE (REPLACES NAS696A4)	6		
13	206-031-210-057	.ANGLE	1		
14	206-031-210-059	.ANGLE	1		
15	206-031-208-001	.SUPPORT	1		
16	206-031-210-043	.SUPPORT	1		C
16	206-031-210-309	.SUPPORT	1		J
17	206-031-210-169	.SUPPORT	1		
18	206-031-210-189	.RADIUS BLOCK	2		
19	206-031-210-187	.SUPPORT	1		
20	206-031-210-267	.SUPPORT	1		
21	206-031-210-083	.ANGLE	1		
22	206-031-210-203	.SUPPORT	1		
23	206-031-210-259	.BULKHEAD	1		D
23	206-031-210-447	.BULKHEAD	1		L
24	206-031-210-237	.ANGLE, LH	1		

(1) INDEX NUMBER	(2) PART NUMBER	(3) ITEM NAME	(4) UNIT PER ASSY	(5) A V A I L	(6) U O C
FIGURE: 53-5. Console assembly (S/N 154 thru 913) (Cont'd)					
25	206-031-210-239	.ANGLE, RH	1		
26	206-030-111-003	.SUPPORT (REPLACED BY 206-033-173-001)	1		
26	206-033-173-001	.SUPPORT (REPLACES 206-031-111-003)	1		
27	206-031-210-191	.ANGLE	1		
28	206-031-210-219	.BULKHEAD (REPLACED BY 206-031-210-615)	1		
28	206-031-210-615	.BULKHEAD (REPLACES 206-031-210-219)	1		
29	206-031-210-221	.ANGLE, LH	1		
30	206-031-210-222	.ANGLE, RH	1		B
30	206-031-210-394	.ANGLE, RH	1		H
31	206-031-210-119	.ANGLE	1		
32	140-001-1	.WASHER	20		
33	206-031-206-001	.SCOOP	1		
USABLE ON CODES					
		CODE MODEL SERIAL NUMBER			
		A 206A 154-203			
		B 206A 154-253			
		C 206A 154-303			
		D 206A 154-583			
		E 206A 204-253			
		F 206A 254-303			
		G 206A 304-413			
		H 206A/B 254-913			
		J 206A/B 304-913			
		K 206A/B 414-583			
		L 206A/B 584-913			
<p>1) UNLESS A USABLE ON PART NUMBER IS LISTED IN THE ITEM NAME COLUMN; NO CODE INDICATES THE PART APPLIES TO ALL SERIAL NUMBERS.</p> <p>2) IF THE SERIAL NUMBER IS BLANK THE PART APPLIES TO ALL SERIAL NUMBERS FOR THAT MODEL.</p>					

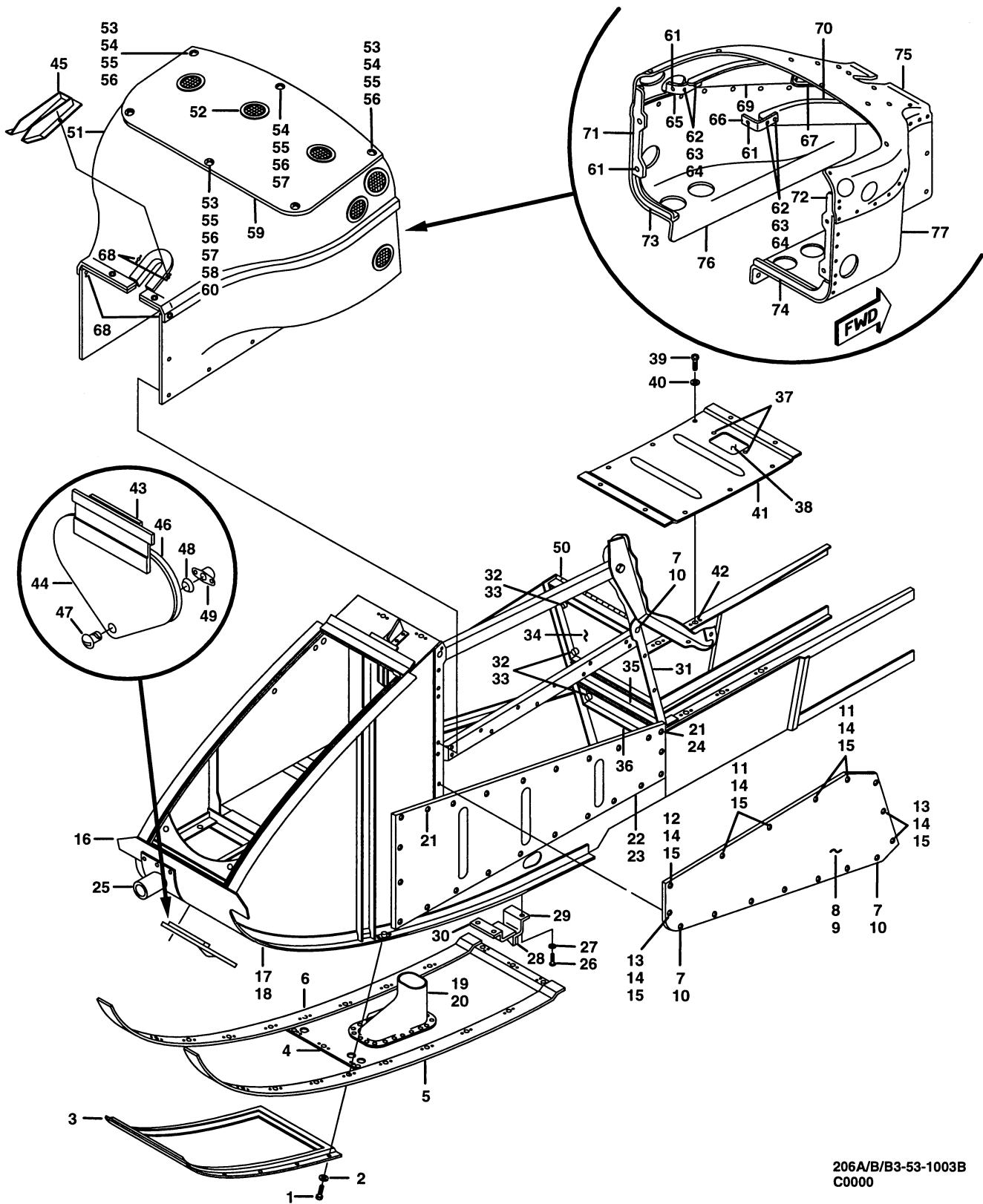


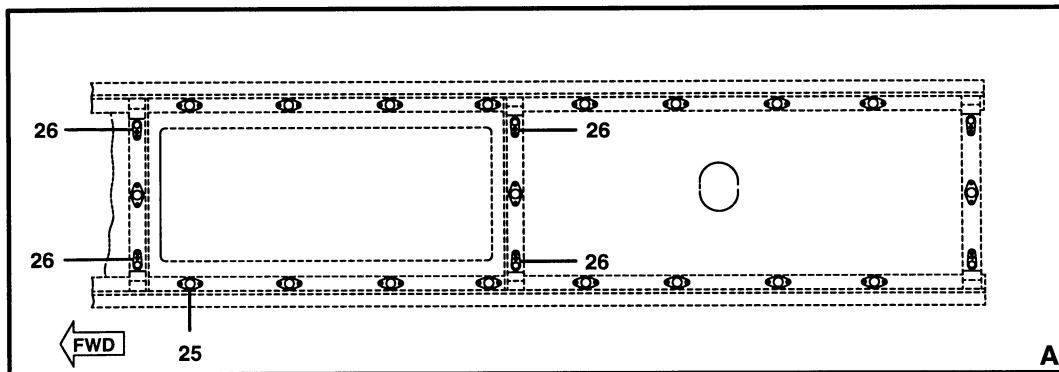
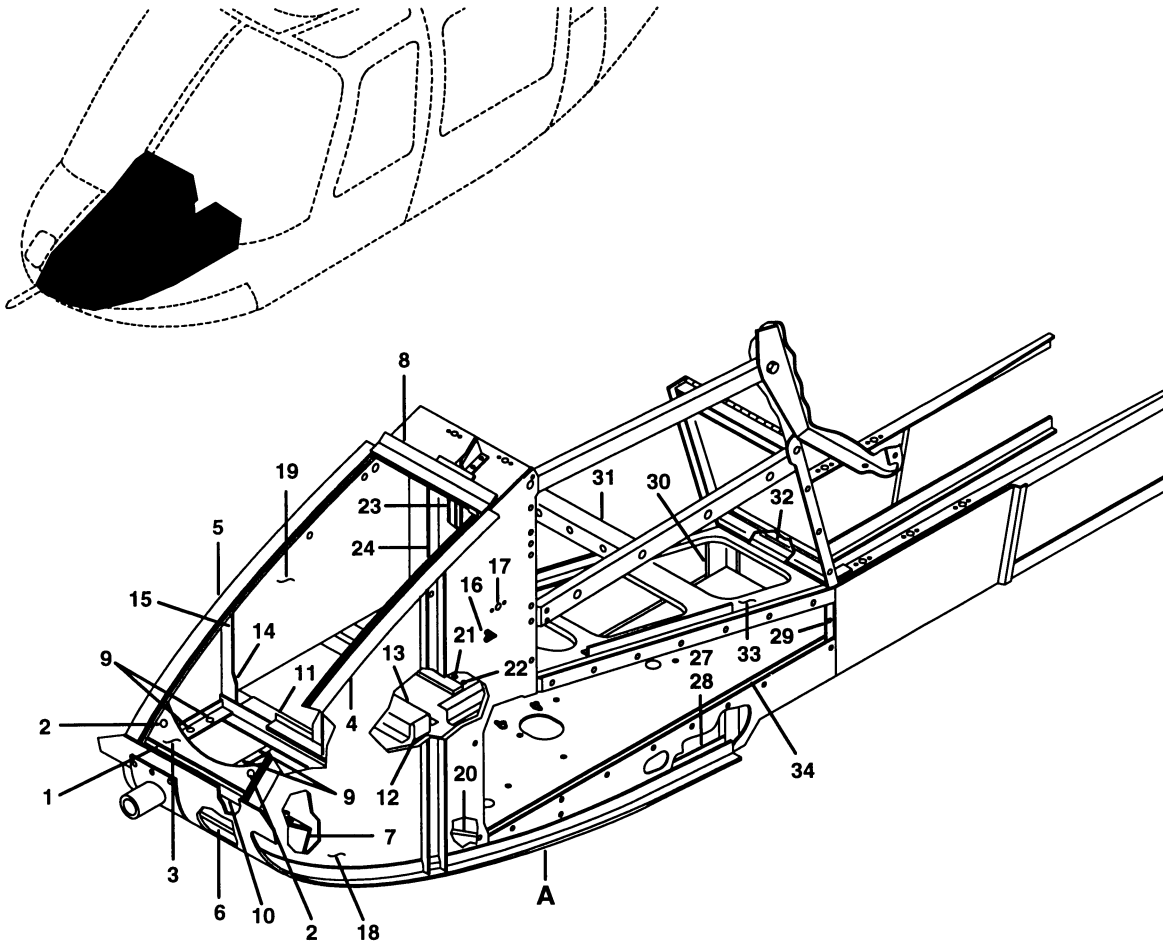
Figure 53-6. Console installation (S/N 914-2211)

206A/B/B3-53-1003B
C0000

(1) INDEX NUMBER	(2) PART NUMBER	(3) ITEM NAME	(4) UNIT PER ASSY	(5) A V A I L	(6) U O C
		FIGURE: 53-6. Console installation (S/N 914-2211)			
	206-031-210-437	CONSOLE INSTL	1		
	206-031-210-485	CONSOLE INSTL	1		
1	MS27039-1-08	.SCREW	25	1	
2	AN960JD10L	.WASHER (REPLACED BY NAS1149D0332J)	25		
2	NAS1149D0332J	.WASHER (REPLACES AN960JD10L)	25		
3	206-031-210-305	.WINDOW ASSY	1		
4	206-031-210-389	.DOOR ASSY	1	1	
5	206-031-210-125	.RETAINER, LH	1		
6	206-031-210-127	.RETAINER, RH	1		
7	MS27039-1-09	.SCREW	16	1	
8	206-031-210-459	.COVER ASSY, LH	1		
9	206-031-210-460	.COVER ASSY, RH	1		
10	MS21075L3	..NUTPLATE	16		
11	50-013-5	..STUD	1	1	
12	50-013-8	..STUD	1	1	
13	50-013-4	..STUD	4	1	
14	50-044-3	..WASHER	8	1	
15	50-014-1	..RECEPTACLE	8	1	
	206-031-210-439	.CONSOLE ASSY (SEE FIG. 7 FOR BALANCE OF BREAKDOWN)	1	0	A
	206-031-210-487	.CONSOLE ASSY (SEE FIG. 7 FOR BALANCE OF BREAKDOWN) (REPLACED BY 206-031-210-653)	1	0	C
	206-031-210-653	.CONSOLE ASSY (SEE FIG. 7 FOR BALANCE OF BREAKDOWN) (REPLACES 206-031-210-487)	1		C
16	206-031-210-311	..SKIN	1		
17	206-031-210-233	..SUPPORT, LH	2		
18	206-031-210-235	..SUPPORT, RH	1		
19	140-001-1	..WASHER	20	1	
20	206-031-206-001	..SCOOP	1	1	
21	MS27039-1-08	..SCREW	32	1	
22	206-031-210-213	..DOOR, LH	1		
23	206-031-210-214	..DOOR, RH	1		
24	MS21069L3	..NUTPLATE	32	1	
	206-031-143-001	..SUPPORT INSTL	1		
25	206-031-143-003	...SUPPORT ASSY	1		
26	MS27039-0809	..SCREW	3	1	
27	AN960JD8L	..WASHER (REPLACED BY NAS1149DN816J)	3	1	
27	NAS1149DN816J	..WASHER (REPLACES AN960JD8L)	3		
	206-031-209-003	..SUPPORT INSTL	1		
28	206-031-209-023	...BLOCK	1	6	
29	206-031-209-019	...SUPPORT	1	6	
30	206-031-209-025	...SUPPORT	1	6	
31	206-031-261-001	..SUPPORT ASSY	1	0	
32	MS21042L08	..NUT	12	1	
33	MS27039-0804	...SCREW	12	1	
34	206-031-261-019	...COVER	1	1	
35	206-031-261-021	...COVER	1	1	
36	206-031-261-023	...COVER	1	1	
37	20-038-1	..CLIP	2	1	
38	236-48-28	..BOX	1		

(1) INDEX NUMBER	(2) PART NUMBER	(3) ITEM NAME	(4) UNIT PER ASSY	(5) A V A I L	(6) U O C
FIGURE: 53-6. Console installation (S/N 914-2211) (Cont'd)					
39	MS27039-1-08	..SCREW	10	1	
40	AN960JD10L	..WASHER (REPLACED BY NAS1149D0332J)	10		
40	NAS1149D0332J	..WASHER (REPLACES AN960JD10L)	10		
41	206-031-210-137	..DOOR	1	1	
42	MS21069L3	..NUTPLATE	10	1	
43	206-031-210-313	..HINGE HALF (MAKE FROM MS20257C4)	1	0	
43	MS20257C4	..HINGE HALF	1	6	
44	206-031-210-325	..DOOR	1		
45	206-031-210-481	..COVER	1	1	
46	206-031-210-327	..SEAL	1	0	
47	A31/2T9	..FASTENER	1		
47	50-007-A9	..STUD	1		
48	GH31/2	..GROMMET (REPLACED BY 50-009-2)	1		
48	50-009-2	..GROMMET (REPLACES GH31/2)	1	1	
49	R31/2	..RECEPTACLE (REPLACED BY 50-008R2)	1		
49	50-008R2	..RECEPTACLE (REPLACES R31/2)	1	1	
50	206-031-210-483	..HINGE HALF (MAKE FROM MS20001PY4-800)	1		
50	MS20001PY4-800	..HINGE HALF	1		
51	206-031-262-001	..SHROUD ASSY (REPLACED BY 206-031-262-101)	1	0	B
51	206-031-262-101	..SHROUD ASSY (SEE FIG. 8 FOR NHA) (SEE FIG. 11 FOR . . BALANCE OF BREAKDOWN) (REPLACES 206-031-262-001)	1		B
51	206-031-262-003	..SHROUD ASSY (REPLACED BY 206-031-262-103)	1		D
51	206-031-262-103	..SHROUD ASSY (SEE FIG. 8 AND 9 FOR NHA) (SEE FIG. . . 11 FOR BALANCE OF BREAKDOWN) (REPLACES 206-031-262-003)	1		D
52	AE/0001	..BUTTON, VENT	13		D
53	50-013-7	..STUD (USBL ON 206-031-262-001 AND -003)	5	1	
54	50-013-4	..STUD (USBL ON 206-031-262-001 AND -003)	1	1	
55	50-044-3	..WASHER (USBL ON 206-031-262-001 AND -003)	6	1	
56	AN525-10R6	..SCREW (USBL ON 206-031-262-101 AND -103)	6	1	
57	AN960JD10L	..WASHER (USBL ON 206-031-262-101 AND -103) (REPLACED BY NAS1149D0332J)	6		
57	NAS1149D0332J	..WASHER (USBL ON 206-031-262-101 AND -103) (REPLACES AN960JD10L)	6		
58	MS21059-L3K	..NUTPLATE (USBL ON 206-031-262-101 AND -103)	3		
59	206-031-262-035	..DOOR (USBL ON 206-031-262-001) (REPLACED BY 206-031-262-047)	1		
59	206-031-262-043	..DOOR (USBL ON 206-031-262-003) (REPLACED BY 206-031-262-047)	1	0	
59	206-031-262-047	..DOOR (REPLACES 206-031-262-035 AND -043)	1	1	
60	50-014-1D	..RECEPTACLE	3	1	
61	MS21069L3	..NUTPLATE	6	1	
62	MS21042L08	..NUT (USBL ON 206-031-262-101 AND -103)	4	1	
63	AN960JD8L	..WASHER (USBL ON 206-031-262-101 AND -103) (REPLACED BY NAS1149DN816J)	4	1	
63	NAS1149DN816J	..WASHER (USBL ON 206-031-262-101 AND -103) (REPLACES AN960JD8L)	4		
64	AN525-832R6	..SCREW (USBL ON 206-031-262-101 AND -103)	4	1	
65	206-031-262-031	..CLIP, LH	1	6	

(1) INDEX NUMBER	(2) PART NUMBER	(3) ITEM NAME	(4) UNIT PER ASSY	(5) A V A I L	(6) U O C															
FIGURE: 53-6. Console installation (S/N 914-2211) (Cont'd)																				
66	206-031-262-033	..CLIP, RH	1	6																
67	206-031-262-037	..SPLICE	1	6																
68	MS21069L3	..NUTPLATE	4	1																
69	206-031-262-027	..SUPPORT, LH	1	6																
70	206-031-262-029	..SUPPORT, RH	1	6																
71	206-031-262-021	..SUPPORT, LH	1	6																
72	206-031-262-022	..SUPPORT, RH	1	6																
73	206-031-262-023	..STIFFENER, LH	1	6																
74	206-031-262-025	..STIFFENER, RH	1	6																
75	206-031-262-019	..SHROUD, UPPER (USBL ON 206-031-262-001 AND -003)	1																	
75	206-031-262-115	..SHROUD, UPPER (USBL ON 206-031-262-101)	1																	
75	206-031-262-117	..SHROUD, UPPER (USBL ON 206-031-262-103)	1																	
76	206-031-262-015	..SHROUD, LOWER, LH (USBL ON 206-031-262-001) (REPLACED BY 206-031-262-039)	1	0																
76	206-031-262-039	..SHROUD, LOWER, LH (REPLACES 206-031-262-015) . . .	1																	
77	206-031-262-017	..SHROUD, LOWER, RH (USBL ON 206-031-262-001) (REPLACED BY 206-031-262-041)	1	0																
77	206-031-262-041	..SHROUD, LOWER, RH (REPLACES 206-031-262-017) . . .	1																	
USABLE ON CODES																				
<table border="0" style="width: 100%;"> <thead> <tr> <th style="text-align: left;">CODE</th> <th style="text-align: left;">MODEL</th> <th style="text-align: left;">SERIAL NUMBER</th> </tr> </thead> <tbody> <tr> <td>A</td> <td>206B</td> <td>914-1163</td> </tr> <tr> <td>B</td> <td>206B</td> <td>914-1868</td> </tr> <tr> <td>C</td> <td>206B</td> <td>1164-2211</td> </tr> <tr> <td>D</td> <td>206B</td> <td>1869-2211</td> </tr> </tbody> </table>						CODE	MODEL	SERIAL NUMBER	A	206B	914-1163	B	206B	914-1868	C	206B	1164-2211	D	206B	1869-2211
CODE	MODEL	SERIAL NUMBER																		
A	206B	914-1163																		
B	206B	914-1868																		
C	206B	1164-2211																		
D	206B	1869-2211																		
<p>1) UNLESS A USABLE ON PART NUMBER IS LISTED IN THE ITEM NAME COLUMN; NO CODE INDICATES THE PART APPLIES TO ALL SERIAL NUMBERS.</p> <p>2) IF THE SERIAL NUMBER IS BLANK THE PART APPLIES TO ALL SERIAL NUMBERS FOR THAT MODEL.</p>																				

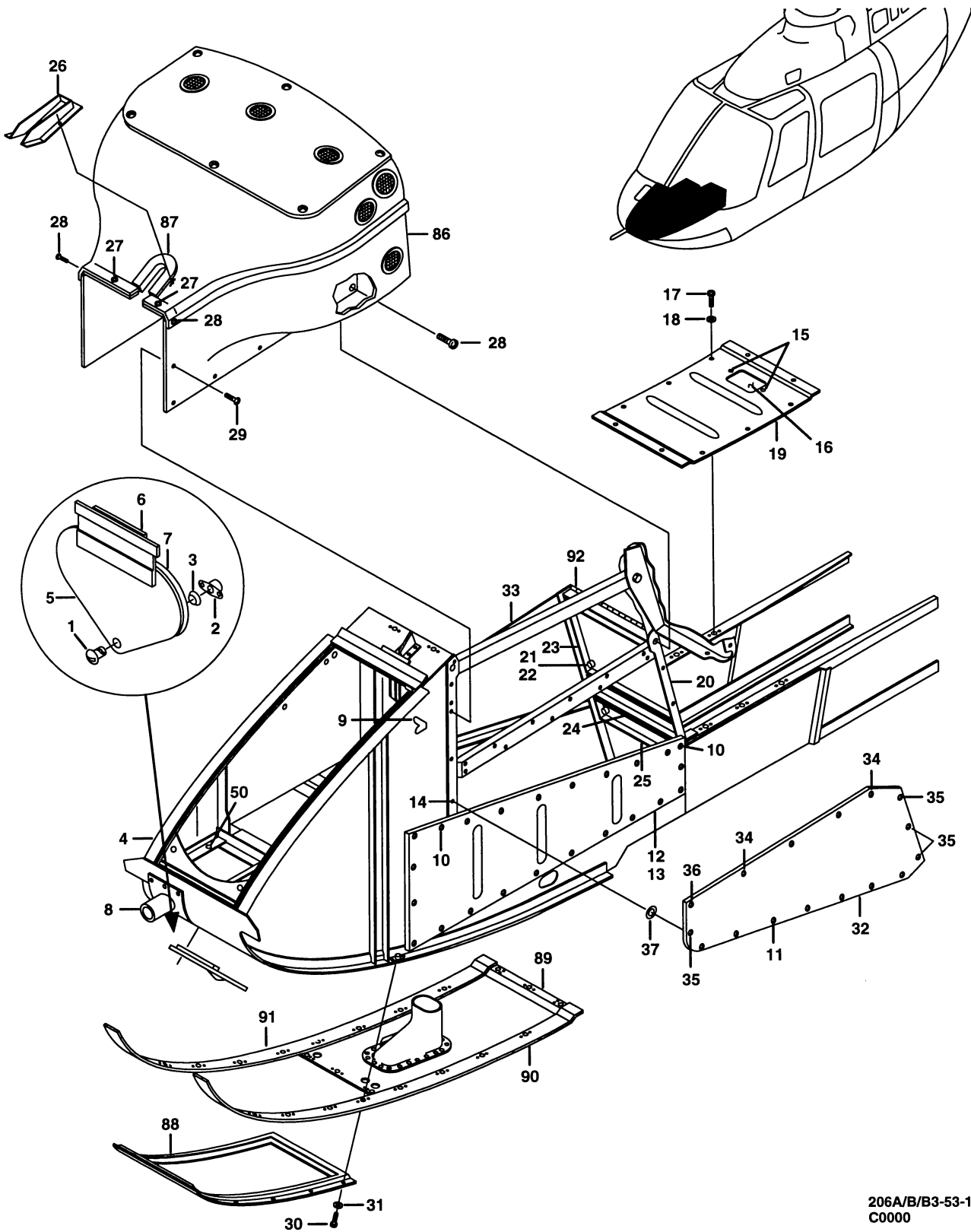


206A/B/B3-53-1003C
C0000

Figure 53-7. Console assembly (S/N 914 thru 2211)

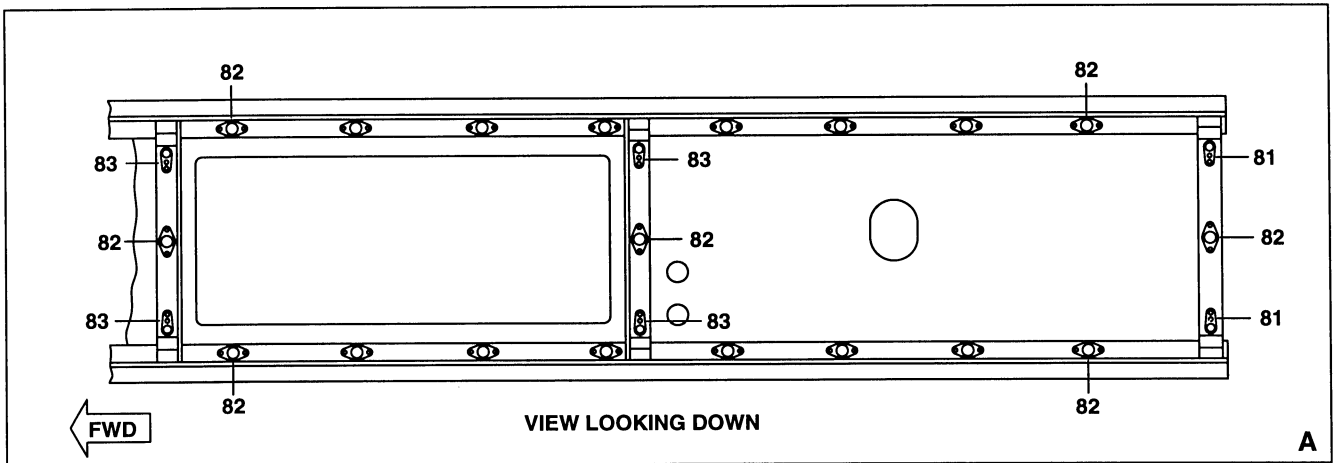
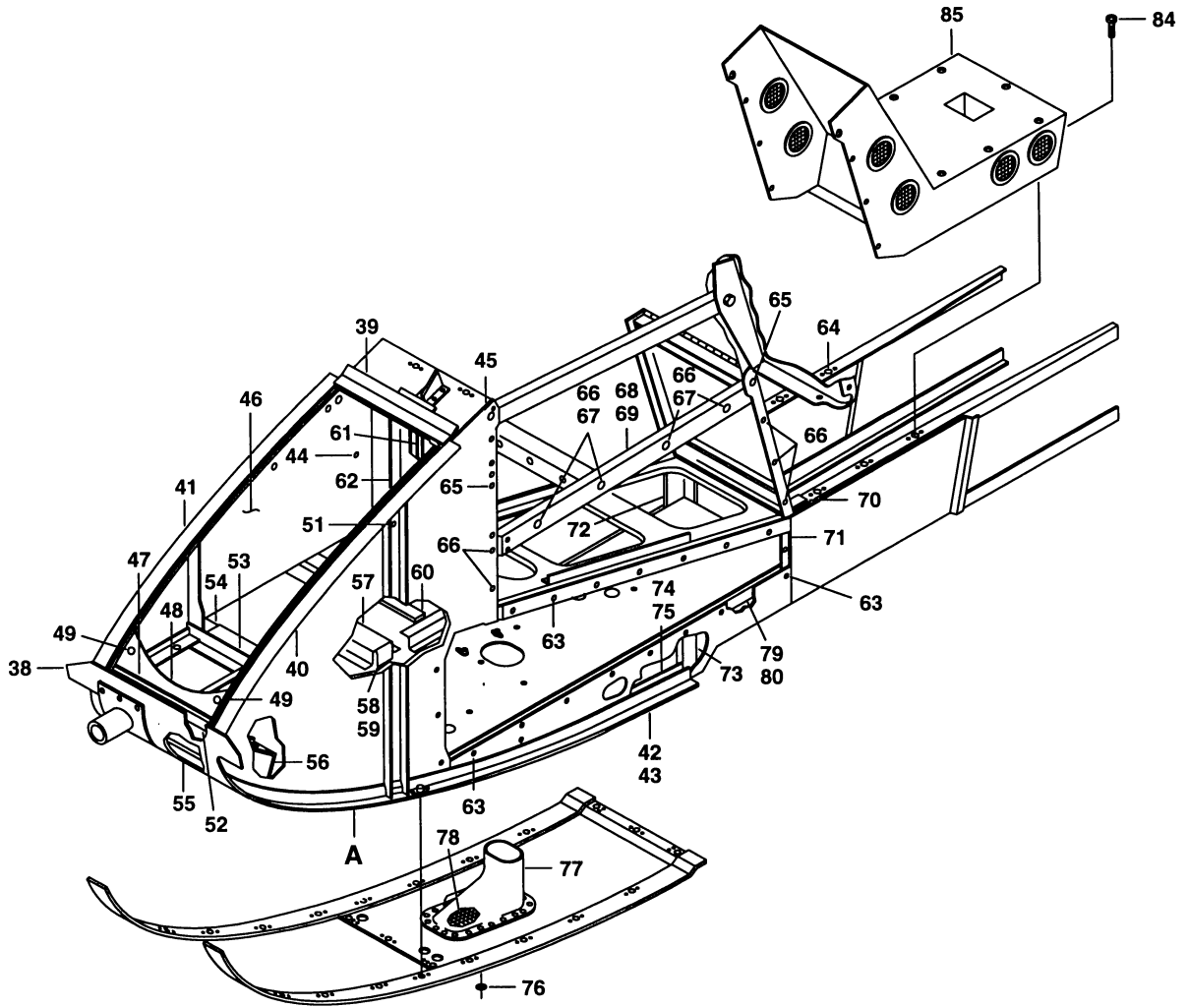
(1) INDEX NUMBER	(2) PART NUMBER	(3) ITEM NAME	(4) UNIT PER ASSY	(5) A V A I L	(6) U O C
		FIGURE: 53-7. Console assembly (S/N 914 thru 2211)			
	206-031-210-439	CONSOLE ASSY (SEE FIG. 6 FOR BALANCE OF BREAKDOWN)	REF		A
	206-031-210-487	CONSOLE ASSY (SEE FIG. 6 FOR BALANCE OF BREAKDOWN) (REPLACED BY 206-031-210-653)	REF		B
	206-031-210-653	CONSOLE ASSY (SEE FIG. 6 FOR BALANCE OF BREAKDOWN) (REPLACES 206-031-210-487)	REF		B
1	206-031-210-047	.DOUBLER	1		
2	212-125D	.RECEPTACLE	2		
3	206-031-210-383	.DOUBLER	1		
4	206-031-210-397	.STIFFENER, LH	1		
5	206-031-210-399	.STIFFENER, RH	1		
6	206-031-210-169	.SUPPORT	1		
7	206-031-210-309	.SUPPORT	1		
8	206-031-210-083	.ANGLE	1		
9	NAS696A4	.NUTPLATE (REPLACED BY MS21071L4)	4		
9	MS21071L4	.NUTPLATE (REPLACES NAS696A4)	4		
10	206-031-210-057	.ANGLE	1		
11	206-031-210-059	.ANGLE	1		
12	206-031-210-189	.RADIUS BLOCK	2		
13	206-031-210-187	.SUPPORT	1		
14	206-031-208-001	.SUPPORT	1		
15	MS21069L3	.NUTPLATE	1		
16	AN743-13	.BRACKET	1		
17	MS21059L3K	.NUTPLATE	1		
18	206-031-210-465	.SKIN, LH	1		
19	206-031-210-467	.SKIN, RH	1		
20	206-031-210-267	.SUPPORT	1		
21	206-031-210-191	.ANGLE	1		
22	206-031-210-219	.BULKHEAD (REPLACED BY 206-031-210-615)	1		
22	206-031-210-615	.BULKHEAD (REPLACES 206-031-210-219)	1		
23	206-031-210-203	.SUPPORT	1		
24	206-031-210-463	.BULKHEAD	1		
25	NAS697A3K	.NUTPLATE (REPLACED BY MS21069L3K)	19		
25	MS21069L3K	.NUTPLATE (REPLACES NAS697A3K)	19		
26	NAS696A3K	.NUTPLATE (REPLACED BY MS21071L3K)	4		
26	MS21071L3K	.NUTPLATE (REPLACES NAS696A3K)	4		
27	206-031-210-237	.ANGLE, LH	1		
28	206-031-210-239	.ANGLE, RH	1		
29	206-031-210-221	.ANGLE, LH	1		
30	206-031-210-394	.ANGLE, RH	1		
31	206-031-210-479	.SUPPORT	1		
32	206-031-210-477	.SUPPORT	1		
33	206-031-210-473	.WEB	1		
34	206-031-210-179	.WEB	1		A
34	206-031-210-489	.WEB	1		B

(1) INDEX NUMBER	(2) PART NUMBER	(3) ITEM NAME	(4) UNIT PER ASSY	(5) A V A I L	(6) U O C									
		<p>FIGURE: 53-7. Console assembly (S/N 914 thru 2211) (Cont'd)</p> <p style="text-align: center;">USABLE ON CODES</p> <table border="0" style="margin-left: auto; margin-right: auto;"> <thead> <tr> <th style="text-align: left;">CODE</th> <th style="text-align: left;">MODEL</th> <th style="text-align: left;">SERIAL NUMBER</th> </tr> </thead> <tbody> <tr> <td>A</td> <td>206B</td> <td>914-1163</td> </tr> <tr> <td>B</td> <td>206B</td> <td>1164-2211</td> </tr> </tbody> </table> <p>1) UNLESS A USABLE ON PART NUMBER IS LISTED IN THE ITEM NAME COLUMN; NO CODE INDICATES THE PART APPLIES TO ALL SERIAL NUMBERS .</p> <p>2) IF THE SERIAL NUMBER IS BLANK THE PART APPLIES TO ALL SERIAL NUMBERS FOR THAT MODEL .</p>	CODE	MODEL	SERIAL NUMBER	A	206B	914-1163	B	206B	1164-2211			
CODE	MODEL	SERIAL NUMBER												
A	206B	914-1163												
B	206B	1164-2211												



206A/B/B3-53-1004-1
C0000

Figure 53-8. Console installation (S/N 2212 thru 4128) (Sheet 1 of 2)



206A/B/B3-53-1004-2
C0000

Figure 53-8. Console installation (S/N 2212 thru 4128) (Sheet 2)

(1) INDEX NUMBER	(2) PART NUMBER	(3) ITEM NAME	(4) UNIT PER ASSY	(5) A V A I L	(6) U O C
		FIGURE: 53-8. Console installation (S/N 2212 thru 4128)			
	206-031-210-485	CONSOLE INSTL	1		A
	206-031-210-673	CONSOLE INSTL	1		D
1	A3 1-2T9	.FASTENER (REPLACED BY 50-007A9)	1		
1	50-007A9	.STUD (REPLACES A3 1-2T9)	1		
2	R3 1-2	.FASTENER (REPLACED BY 50-008RF2)	1		
2	50-008RF2	.RECEPTACLE (REPLACES R3 1-2)	1		
3	GH3 1-2	.GROMMET (REPLACED BY 50-009-2)	1		
3	50-009-2	.GROMMET (REPLACES GH3 1-2)	1		
4	206-031-210-487	.CONSOLE ASSY (REPLACED BY 206-031-210-653)	1		A
4	206-031-210-653	.CONSOLE ASSY (REPLACES 206-031-210-487)	1		A
4	206-031-210-693	.CONSOLE ASSY	1		D
5	206-031-210-325	..DOOR	1		
6	206-031-210-313	..HINGE HALF (MAKE FROM MS20257C4)	1		
6	MS20257C4	..HINGE HALF	1		
		(ALTERNATE PART)			
6	MS20257P4-200	..HINGE HALF	1		
7	206-031-210-327	..SEAL	1		
	206-031-143-001	..SUPPORT INSTL, PILOT TUBE	1		
8	206-031-143-003	..SUPPORT ASSY	1		
9	AN743-13	..BRACKET	1		
10	MS27039-1-08	..SCREW	32		
11	MS27039-1-09	..SCREW	7		
12	206-031-210-213	..DOOR, LH	1		
13	206-031-210-214	..DOOR, RH	1		
14	MS21075L3	..NUTPLATE	46		
15	20-038-1	..CLIP	2		A
16	Z36-48-28	..BOX	1		
17	MS27039-1-08	..SCREW	10		A
18	AN960PD10L	..WASHER (REPLACED BY AN960JD10L)	10		A
18	AN960JD10L	..WASHER (REPLACES AN960PD10L)	10		A
19	206-031-210-137	..DOOR	1		A
20	206-031-261-001	..SUPPORT	1		A
20	206-031-261-101	..SUPPORT	1		D
21	MS21042L08	..NUT	12		D
22	MS27039-0804	..SCREW	12		
23	206-031-261-019	..COVER	1		
24	206-031-261-021	..COVER	1		
25	206-031-261-023	..COVER	1		
26	206-031-210-481	..COVER	1		
27	MS27039-0808	..SCREW	2		
28	MS27039-1-09	..SCREW	1		
29	MS27039-1-08	..SCREW	2		
30	MS27039-1-08	..SCREW	25		
31	AN960JD10L	..WASHER	25		
32	206-031-210-459	.COVER ASSY, LH	1		
33	206-031-210-460	.COVER ASSY, RH	1		
34	50-013-5	..STUD	4		
35	50-013-4	..STUD	4		
36	50-013-8	..STUD	1		
37	50-044-3	..WASHER	8		

(1) INDEX NUMBER	(2) PART NUMBER	(3) ITEM NAME	(4) UNIT PER ASSY	(5) A V A I L	(6) U O C
		FIGURE: 53-8. Console installation (S/N 2212 thru 4128) (Cont'd)			
38	206-031-210-311	.. SKIN	1		
39	206-031-210-083	.. ANGLE	1		
40	206-031-210-397	.. STIFFENER, LH	1		
41	206-031-210-399	.. STIFFENER, RH	1		
42	206-031-210-233	.. SUPPORT, LH	1		
43	206-031-210-235	.. SUPPORT, RH	1		
44	MS21059L3K	.. NUTPLATE	1		A
45	206-031-210-465	.. SKIN, LH	1		
46	206-031-210-467	.. SKIN, RH	1		
47	206-031-210-047	.. DOUBLER	1		
48	206-031-210-383	.. DOUBLER	1		
49	212-125D	.. RECEPTACLE	2		
50	NAS696A4	.. NUTPLATE (REPLACED BY MS21071L4)	4		
50	MS21071L4	.. NUTPLATE (REPLACES NAS696A4)	4		
51	MS21069L3	.. NUTPLATE	1		A
52	206-031-210-057	.. ANGLE	1		
53	206-031-210-059	.. ANGLE	1		
54	206-031-208-001	.. SUPPORT	1		
55	206-031-210-169	.. SUPPORT	1		
56	206-031-210-309	.. SUPPORT	1		
57	206-031-210-187	.. SUPPORT	1		
58	206-031-210-189	.. RADIUS BLOCK	2		
59	NAS686A4	.. NUTPLATE (REPLACED BY MS21059L4)	2		
59	MS21059L4	.. NUTPLATE (REPLACES NAS686A4)	2		
60	206-031-210-191	.. ANGLE	1		
61	206-031-210-203	.. SUPPORT	1		
62	206-031-210-219	.. BULKHEAD (REPLACED BY 206-031-210-615)	1		
62	206-031-210-615	.. BULKHEAD (REPLACES 206-031-210-219)	1		
63	NAS697A3	.. NUTPLATE (REPLACED BY MS21069L3)	48		
63	MS21069L3	.. NUTPLATE (REPLACES NAS697A3)	48		
64	NAS697A3	.. NUTPLATE (REPLACED BY MS21069L3)	10		A
64	MS21069L3	.. NUTPLATE (REPLACES NAS697A3)	10		A
65	MS21075L3	.. NUTPLATE	4		
66	50-014-1	.. RECEPTACLE	18		A
67	50-014-1D	.. RECEPTACLE	6		D
68	206-031-210-457	.. SUPPORT, LH	1		A
68	206-031-210-679	.. SUPPORT, LH (REPLACED BY 206-031-210-129)	1		D
68	206-031-478-129	.. SUPPORT (REPLACES 206-031-210-679)	1		D
69	206-031-210-458	.. SUPPORT, RH	1		A
69	206-031-210-680	.. SUPPORT, RH (REPLACED BY 206-031-478-180)	1		D
69	206-031-210-180	.. SUPPORT, RH (REPLACES 206-031-210-680)	1		D
70	206-031-210-477	.. SUPPORT	1		A
70	206-031-210-687	.. SUPPORT	1		D
71	206-031-210-221	.. ANGLE, LH	1		
72	206-031-210-394	.. ANGLE, RH	1		
73	206-030-111-003	.. SUPPORT (REPLACED BY 206-033-173-001)	1		
73	206-033-173-001	.. SUPPORT (REPLACES 206-030-111-003)	1		
74	206-031-210-237	.. ANGLE, LH	1		
74	206-031-210-239	.. ANGLE, RH	1		

(1) INDEX NUMBER	(2) PART NUMBER	(3) ITEM NAME	(4) UNIT PER ASSY	(5) A V A I L	(6) U O C
		FIGURE: 53-8. Console installation (S/N 2212 thru 4128) (Cont'd)			
76	140-001-1	..WASHER	20		
77	206-031-206-001	..SCOOP	1		
78	206-031-210-131	..SCREEN	1		
79	206-031-210-453	..ANGLE, LH	1		
80	206-031-210-454	..ANGLE, RH	1		
81	MS21071L3	..NUTPLATE	2		
82	NAS697A3K	..NUTPLATE (REPLACED BY MS21069L3K)	19		
82	MS21069L3K	..NUTPLATE (REPLACES NAS697A3K)	19		
83	NAS696A3K	..NUTPLATE (REPLACED BY MS21071L3K)	4		
83	MS21071L3K	..NUTPLATE (REPLACES NAS696A3K)	4		
84	MS27039-1-08	..SCREW	10		D
85	206-033-223-101	.SUPPORT ASSY (SEE FIG. 10 FOR BREAKDOWN)	1		D
86	206-031-262-005	.SHROUD ASSY, CONSOLE (NOTE 1) (SEE FIG. 11 FOR . . . BREAKDOWN) (REPLACED BY 206-031-262-101 AND -103)	1		B
86	206-031-262-101	.SHROUD ASSY, CONSOLE (NOTE 1) (SEE FIG. 6, 11 FOR . . BREAKDOWN) (REPLACES 206-031-262-005) (REPLACED BY 206-031-262-103)	1		B
86	206-031-262-103	.SHROUD ASSY, CONSOLE (SEE FIG. 6, 11 FOR BREAKDOWN) (REPLACES 206-031-262-005 AND -101)	1		BC
87	206-031-210-433	.FILLER (NOTE 1)	1		
88	206-031-210-305	.WINDOW ASSY	1		
89	206-031-210-389	.DOOR ASSY	1		
90	206-031-210-127	.RETAINER, LH	1		
91	206-031-210-125	.RETAINER, RH	1		
92	206-031-210-483	.HINGE HALF (MAKE FROM MS20001PY4-800)	1		
92	MS20001PY4-800	.HINGE HALF	1		
		NOTE 1: 206-031-262-005 SHROUD ASSY AND 206-031-210-433 FILLER AS A UNIT ARE REPLACED BY 206-031-262-101 SHROUD ASSY.			
		USABLE ON CODES			
		CODE MODEL SERIAL NUMBER			
		A 206BIII 2212-3216			
		B 206BIII 2212-3523			
		C 206B111 2212-3917			
		D 206BIII 3217-4128			
		1) UNLESS A USABLE ON PART NUMBER IS LISTED IN THE ITEM NAME COLUMN; NO CODE INDICATES THE PART APPLIES TO ALL SERIAL NUMBERS.			
		2) IF THE SERIAL NUMBER IS BLANK THE PART APPLIES TO ALL SERIAL NUMBERS FOR THAT MODEL.			

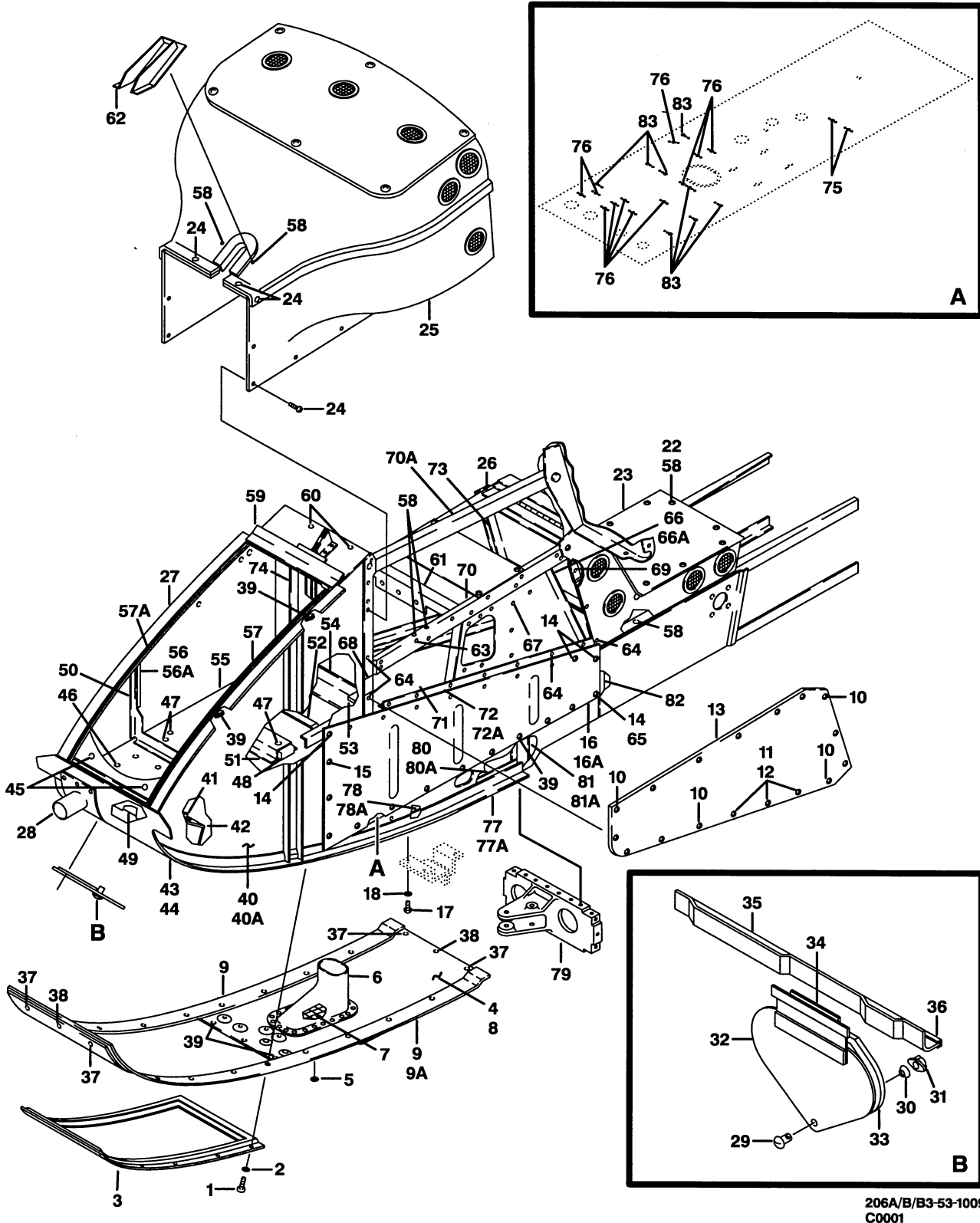


Figure 53-9. Console installation (S/N 4129 thru SUB)

206A/B/B3-53-1009
C0001

(1) INDEX NUMBER	(2) PART NUMBER	(3) ITEM NAME	(4) UNIT PER ASSY	(5) A V A I L	(6) U O C
		FIGURE: 53-9. Console installation (S/N 4129 thru SUB)			
	206-031-478-103	CONSOLE INSTL	1		
1	MS27039-1-08	.SCREW	25	1	
2	AN960JD10L	.WASHER (REPLACED BY NAS1149D0332J)	25		
2	NAS1149D0332J	.WASHER (REPLACES AN960JD10L)	25		
3	206-031-210-305	.WINDOW ASSY (REPLACED BY 206-031-210-511)	1		B
3	206-031-210-511	.WINDOW ASSY (REPLACES 206-031-210-305)	1		
4	206-031-478-133	.DOOR ASSY	1		
5	140-001-1	.. WASHER	20	1	
6	206-031-206-001	.. SCOOP	1	1	
7	206-031-210-131	.. SCREEN	1		
8	206-031-210-389	.. DOOR ASSY	1	1	
9	206-031-210-125	.RETAINER, LH	1		
9A	206-031-210-127	.RETAINER, RH	1		
10	MS27039-1-08	.SCREW	28	1	
11	AN525-10R8	.SCREW (REPLACED BY 120-220-3P8)	6	1	
11	120-220-3P8	.SCREW (REPLACES AN525-10R8)	6		
12	AN960JD10LL	.WASHER (REPLACED BY NAS1149D0616J)	6	1	
12	NAS1149D0616J	.WASHER (REPLACES AN960JD10LL)	6		
13	206-031-210-683	.COVER	2		
14	MS27039-1-08	.SCREW	31	1	
15	MS27039-1-05	.SCREW	1	1	
16	206-031-210-213	.DOOR, LH (REPLACED BY 206-031-478-143)	1		B
16	206-031-478-143	.DOOR, LH (REPLACES 206-031-210-213)	1		E
16A	206-031-210-214	.DOOR, RH (REPLACED BY 206-031-478-144)	1		B
16A	206-031-478-144	.DOOR, RH (REPLACES 206-031-210-214)	1		E
17	MS27039-0809	.SCREW	3	1	
18	AN960JD8L	.WASHER (REPLACED BY NAS1149DN816J)	3	1	
18	NAS1149DN816J	.WASHER (REPLACES AN960JD8L)	3		
19	DELETED			
20	DELETED			
21	DELETED			
22	MS27039-1-08	.SCREW	10	1	
23	206-033-223-101	.SUPPORT ASSY (SEE FIG. 10 FOR BREAKDOWN)	1		
24	MS27039-1-08	.SCREW	4	1	
25	206-031-262-103	.SHROUD ASSY (SEE FIG. 6 AND 11 FOR BREAKDOWN)	1		A
25	206-031-262-105	.SHROUD ASSY	1		H
26	206-031-210-483	.HINGE HALF (MAKE FROM MS20001PY4-800)	1		
26	MS20001PY4-800	.HINGE HALF	1		
27	206-031-478-107	.CONSOLE ASSY (REPLACED BY 206-031-478-113)	1		A
27	206-031-478-113	.CONSOLE ASSY (REPLACES 206-031-478-107)	1		A
27	206-031-478-119	.CONSOLE ASSY	1		F
27	206-031-478-123	.CONSOLE ASSY	1		H
	206-031-143-001	.. SUPPORT INSTL	1		
28	206-031-143-003	.. SUPPORT ASSY	1		
29	50-007W9	.. STUD	1	1	
30	50-009-2	.. GROMMET	1	1	
31	50-008R2	.. RECEPTACLE	1	1	
32	206-031-210-325	.. DOOR, EXTERNAL POWER	1		
33	206-031-210-327	.. SEAL	1	0	
34	206-031-210-313	.. HINGE HALF (MAKE FROM MS20257C4)	1	0	

(1) INDEX NUMBER	(2) PART NUMBER	(3) ITEM NAME	(4) UNIT PER ASSY	(5) A V A I L	(6) U O C
		FIGURE: 53-9. Console installation (S/N 4129 thru SUB) (Cont'd)			
34	MS20257C4	..HINGE HALF (ALTERNATE PART)	1	6	
34	MS20257P4-200	..HINGE HALF	1		
35	206-031-210-169	..SUPPORT	1	6	
36	MS21266-1N	..GROMMET	1	1	
37	90-070-3-2	..NUTPLATE	4	1	
38	MS21059L3K	..NUTPLATE	19	1	
39	MS21061L3K	..NUTPLATE	8	1	
40	206-031-210-465	..SKIN, LH (REPLACED BY 206-031-478-171)	1		C
40	206-031-478-171	..SKIN, LH (REPLACES 206-031-210-465)	1		
40A	206-031-210-467	..SKIN, RH (REPLACED BY 206-031-478-173)	1		C
40A	206-031-478-173	..SKIN, RH (REPLACES 206-031-210-467)	1		
41	MS21059L3	..NUTPLATE	2	1	
42	206-031-210-647	..SUPPORT	1	0	
43	206-031-210-311	..SKIN	1		
44	206-031-210-047	..DOUBLER	1	1	
45	50-079-2	..RECEPTACLE	2	1	
46	MS21071L4K	..NUTPLATE	4		
47	MS21059L4	..NUTPLATE	2	1	
48	206-031-210-189	..RADIUS BLOCK	2	6	
49	206-031-210-057	..ANGLE	1	6	
50	206-031-208-001	..SUPPORT	1	6	
51	206-031-210-187	..SUPPORT	1	6	
52	206-031-210-191	..ANGLE	1		
53	206-031-210-177	..BLOCK (USBL ON 206-031-478-107)	2		
54	206-031-210-265	..SUPPORT	1	0	
55	206-031-210-489	..WEB	1	6	
56	206-031-210-377	..SUPPORT, LH	1		
56A	206-031-210-378	..SUPPORT, RH	1	0	
57	206-031-210-397	..STIFFENER, LH	1		
57A	206-031-210-399	..STIFFENER, RH	1		
58	MS21075L3	..NUTPLATE	14		
59	206-031-210-083	..ANGLE	1	6	
60	MS21059L3K	..NUTPLATE	2	1	
61	206-031-210-687	..SUPPORT	1		
62	206-031-210-481	..COVER	1	1	
63	MS21059L3	..NUTPLATE	16	1	
64	MS21059L3K	..NUTPLATE	42	1	
65	90-070-3-2	..NUTPLATE	8	1	
66	206-031-478-125	..SUPPORT ASSY, LH	1		
66A	206-031-478-126	..SUPPORT ASSY, RH	1		
67	MS21075L3	..NUTPLATE	10		
68	206-031-210-689	..FILLER	2		
69	206-031-210-681	..FILLER	2	1	
70	206-031-478-129	..SUPPORT, LH	1	0	
70A	206-031-478-130	..SUPPORT, RH	1		
71	206-031-210-695	..SHELF	1	0	
72	206-031-210-469	..STIFFENER, LH (USBL ON 206-031-478-113)	1		
72A	206-031-210-470	..STIFFENER, RH (USBL ON 206-031-478-113)	1		

(1) INDEX NUMBER	(2) PART NUMBER	(3) ITEM NAME	(4) UNIT PER ASSY	(5) A V A I L	(6) U O C																																	
FIGURE: 53-9. Console installation (S/N 4129 thru SUB) (Cont'd)																																						
73	206-031-261-101	..SUPPORT	1	1																																		
74	206-031-210-595	..BULKHEAD (REPLACED BY 206-031-478-177)	1		D																																	
74	206-031-478-177	..BULKHEAD (REPLACES 206-031-210-595)	1																																			
75	MS21059L08K	..NUTPLATE	2	1																																		
76	MS21069L08K	..NUTPLATE	11	1																																		
77	206-031-210-233	..SUPPORT, LH	1																																			
77A	206-031-210-235	..SUPPORT, RH	1																																			
78	206-031-210-237	..ANGLE, LH	1																																			
78A	206-031-210-239	..ANGLE, RH	1	0																																		
79	206-033-173-001	..SUPPORT	1	1																																		
80	206-031-210-221	..ANGLE, LH	1		A																																	
80	206-031-478-157	..ANGLE, LH	1	6	G																																	
80A	206-031-210-394	..ANGLE, RH	1	6	A																																	
80A	206-031-478-159	..ANGLE, RH	1	6	G																																	
81	206-031-478-147	..WEB, LH (USBL ON 206-031-478-113, -119 AND -123)	1	6																																		
81A	206-031-478-148	..WEB, RH (USBL ON 206-031-478-113, -119 AND -123)	1																																			
82	206-031-478-145	..ANGLE (USBL ON 206-031-478-113, -119 AND -123) . .	1																																			
83	MS21071L08K	..NUTPLATE	8	1																																		
<p>USABLE ON CODES</p> <table border="0"> <thead> <tr> <th>CODE</th> <th>MODEL</th> <th>SERIAL NUMBER</th> </tr> </thead> <tbody> <tr><td>A</td><td>206BIII</td><td>4129-4331</td></tr> <tr><td>B</td><td>206BIII</td><td>4129-4359</td></tr> <tr><td>C</td><td>206BIII</td><td>4129-4389</td></tr> <tr><td>D</td><td>206BIII</td><td>4129-4492</td></tr> <tr><td>E</td><td>206BIII</td><td>4129-SUB</td></tr> <tr><td>F</td><td>206BIII</td><td>4332-4359</td></tr> <tr><td>G</td><td>206BIII</td><td>4332-SUB</td></tr> <tr><td>H</td><td>206BIII</td><td>4360-SUB</td></tr> <tr><td>J</td><td>206BIII</td><td>4390-SUB</td></tr> <tr><td>K</td><td>206BIII</td><td>4493-SUB</td></tr> </tbody> </table> <p>1) UNLESS A USABLE ON PART NUMBER IS LISTED IN THE ITEM NAME COLUMN; NO CODE INDICATES THE PART APPLIES TO ALL SERIAL NUMBERS.</p> <p>2) IF THE SERIAL NUMBER IS BLANK THE PART APPLIES TO ALL SERIAL NUMBERS FOR THAT MODEL.</p>						CODE	MODEL	SERIAL NUMBER	A	206BIII	4129-4331	B	206BIII	4129-4359	C	206BIII	4129-4389	D	206BIII	4129-4492	E	206BIII	4129-SUB	F	206BIII	4332-4359	G	206BIII	4332-SUB	H	206BIII	4360-SUB	J	206BIII	4390-SUB	K	206BIII	4493-SUB
CODE	MODEL	SERIAL NUMBER																																				
A	206BIII	4129-4331																																				
B	206BIII	4129-4359																																				
C	206BIII	4129-4389																																				
D	206BIII	4129-4492																																				
E	206BIII	4129-SUB																																				
F	206BIII	4332-4359																																				
G	206BIII	4332-SUB																																				
H	206BIII	4360-SUB																																				
J	206BIII	4390-SUB																																				
K	206BIII	4493-SUB																																				

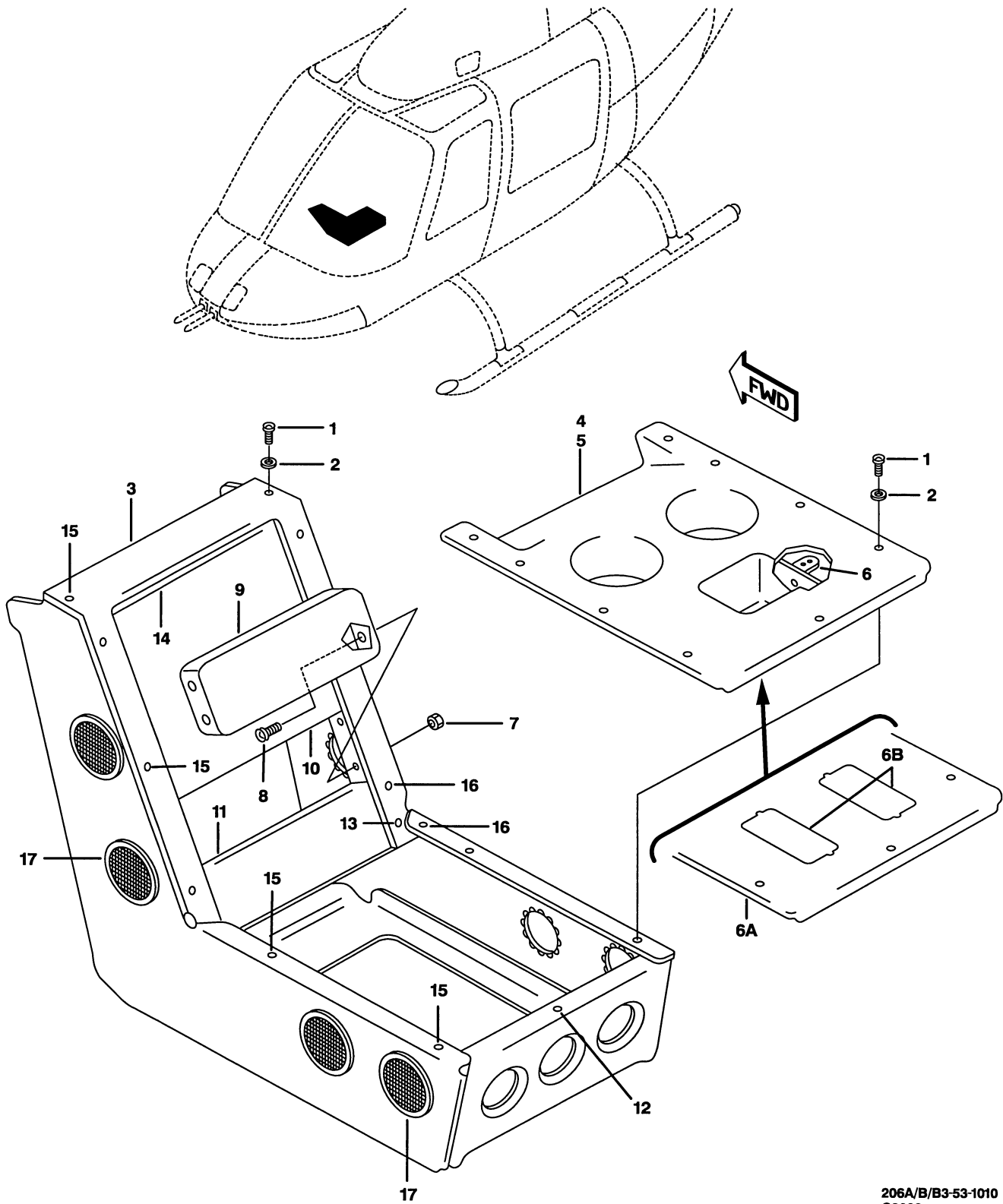
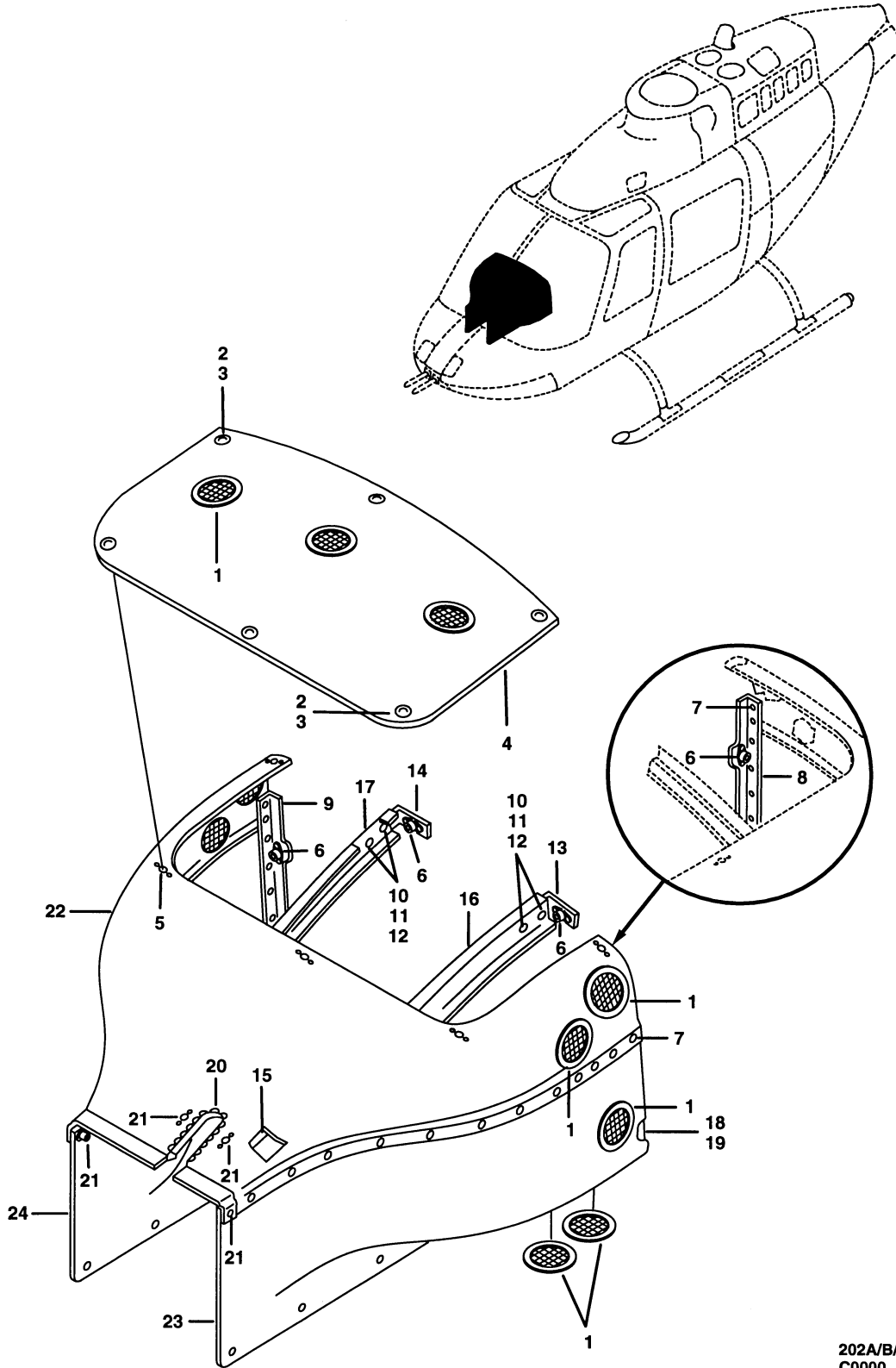


Figure 53-10. Support assembly (S/N 3217 thru SUB)

206A/B/B3-53-1010
C0000

(1) INDEX NUMBER	(2) PART NUMBER	(3) ITEM NAME	(4) UNIT PER ASSY	(5) A V A I L	(6) U O C
		FIGURE: 53-10. Support assembly (S/N 3217 thru SUB)			
	206-033-223-101	SUPPORT ASSY (SEE FIG. 8 AND 9 FOR NHA)	REF		
1	MS27039-1-08	.SCREW	19	1	
2	AN960PD10L	.WASHER (REPLACED BY AN960JD10L)	19		
2	AN960JD10L	.WASHER (REPLACES AN960PD10L) (REPLACED BY NAS1149D0332J)	19		
2	NAS1149D0332J	.WASHER (REPLACES AN960JD10L)	19		
3	206-033-222-117	.COVER	1	1	
4	206-033-222-101	.COVER ASSY (REPLACED BY 206-706-512-101)	1	6	A
4	206-706-512-101	.KIT, ASHTRAY (REPLACES 206-033-222-101)	1		C
5	206-033-222-119	.COVER (USBL ON 206-033-222-101)	1		
6	20-038-1	.CLIP (USBL ON 206-033-222-101)	2	1	
6A	206-033-222-107	.COVER ASSY (USBL ON 206-706-512-101)	1		
6B	65A2206	.ASHTRAY	2	1	
7	MS21042L08	.NUT	12	1	
8	MS27039-0805	.SCREW	12	1	
9	206-031-261-021	.COVER	1	1	
10	206-031-261-103	.COVER	1	6	
11	206-031-261-023	.COVER	1	1	
12	MS21059L3K	.NUTPLATE	1	1	
	206-033-223-109	.CLIP ASSY, LH	1		
	206-033-223-110	.CLIP ASSY, RH	1		
13	MS21059L3K	.NUTPLATE	1	1	
14	206-033-223-121	.FRAME	1	6	
	206-033-223-105	.FRAME ASSY, LH	1		
	206-033-223-106	.FRAME ASSY, RH	1		
15	MS21059L3K	.NUTPLATE	6	1	
16	MS21061L3K	.NUTPLATE	2	1	
17	XS51162-12, P5001	.BUTTON, VENT (REPLACED BY AE/0001)	8		B
17	AE/0001	.BUTTON, VENT (REPLACES XS51162-12, P5001)	8		C
		USABLE ON CODES			
		CODE MODEL SERIAL NUMBER			
		A 206BIII 3217-4421			
		B 206BIII 3217-4429			
		C 206BIII 3217-SUB			
		1) UNLESS A USABLE ON PART NUMBER IS LISTED IN THE ITEM NAME COLUMN; NO CODE INDICATES THE PART APPLIES TO ALL SERIAL NUMBERS.			
		2) IF THE SERIAL NUMBER IS BLANK THE PART APPLIES TO ALL SERIAL NUMBERS FOR THAT MODEL.			

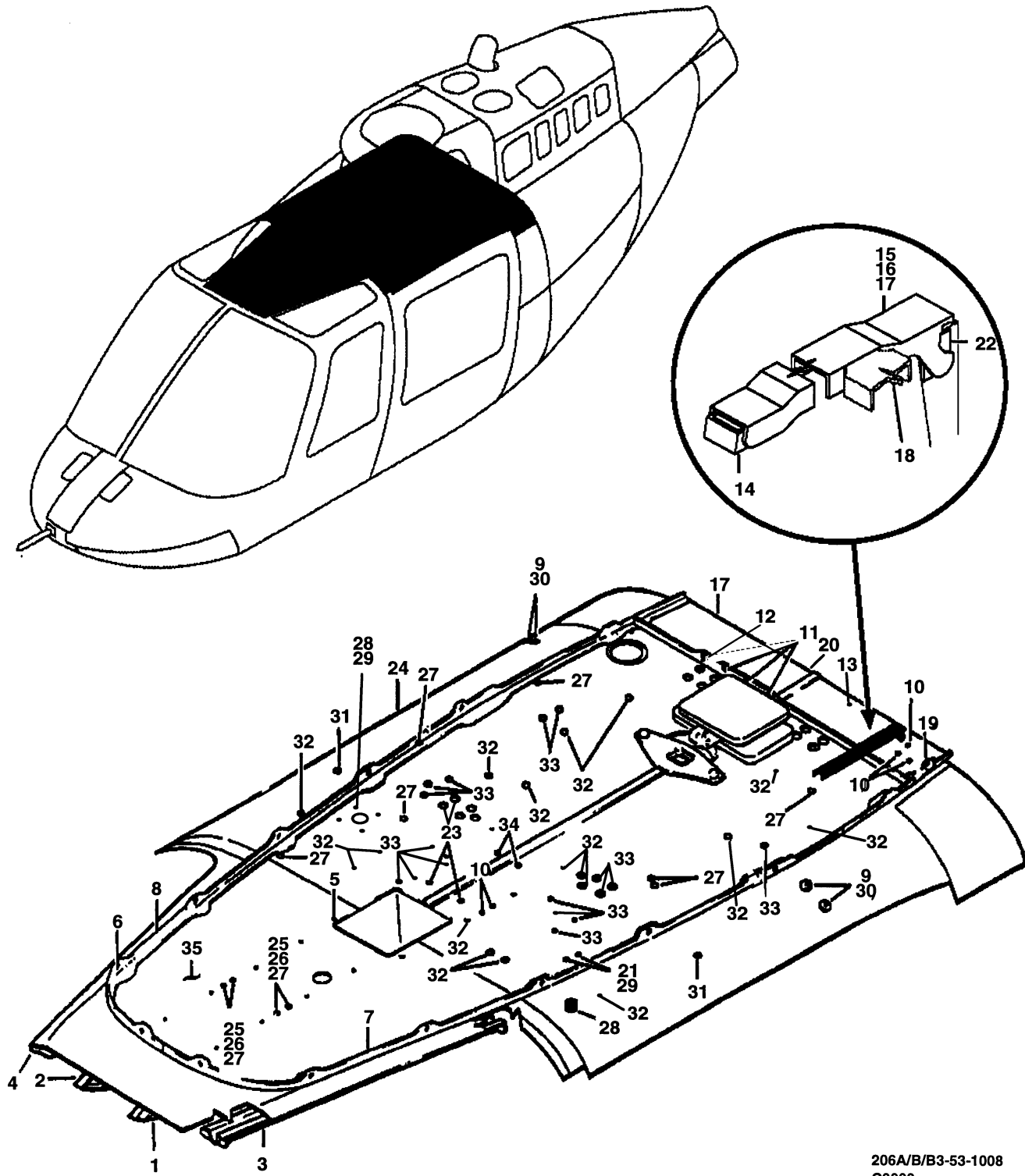


202A/B/B3-53-1007
C0000

Figure 53-11. Shroud assembly, console (S/N 2212 thru 3566)

(1) INDEX NUMBER	(2) PART NUMBER	(3) ITEM NAME	(4) UNIT PER ASSY	(5) A V A I L	(6) U O C
		FIGURE: 53-11. Shroud assembly, console (S/N 2212 thru 3566)			
	206-031-262-005	SHROUD ASSY, CONSOLE (SEE FIG. 8 FOR NHA) (REPLACED BY 206-031-262-101 AND -103)	REF	0	A
	206-031-262-101	SHROUD ASSY, CONSOLE (SEE FIG. 6 AND 8 FOR NHA) . . . (SEE FIG. 6 FOR BALANCE OF BREAKDOWN) (REPLACES 206-031-262-005) (REPLACED BY 206-031-262-103)	REF		B
	206-031-262-103	SHROUD ASSY, CONSOLE (SEE FIG. 6, 8 AND 9 FOR NHA) . . (SEE FIG. 6 AND 8 FOR BALANCE OF BREAKDOWN) (REPLACES 206-031-262-005 AND -101)	REF		B
1	XS51162	.BUTTON, VENT (REPLACED BY AE/0001)	13		
1	AE/0001	.BUTTON, VENT (REPLACES XS51162)	13		
2	AN525-10R6	.SCREW	6	1	
3	AN960PD10L	.WASHER (REPLACED BY AN960JD10L)	6		
3	AN960JD10L	.WASHER (REPLACES AN960PD10L) (REPLACED BY NAS1149D0332J)	6		
3	NAS1149D0332J	.WASHER (REPLACES AN960JD10L)	6		
4	206-031-262-047	.DOOR	1	1	
5	MS21059L3K	.NUTPLATE	3	1	
6	MS21075L3	.NUTPLATE	6		
7	140-001-1	.WASHER	40	1	
8	206-031-262-021	.SUPPORT, LH	1	6	
9	206-031-262-022	.SUPPORT, RH	1	6	
10	MS21042L08	.NUT	4	1	
11	AN960PD8L	.WASHER (REPLACED BY AN960JD8L)	4		
11	AN960JD8L	.WASHER (REPLACES AN960PD8L) (REPLACED BY NAS1149DN816J)	4	1	
11	NAS1149DN816J	.WASHER (REPLACES AN960JD8L)	4		
12	AN525-832R6	.SCREW	4	1	
13	206-031-262-031	.CLIP, LH	1	6	
14	206-031-262-033	.CLIP, RH	1	6	
15	206-031-262-037	.SPLICE, LH	1	6	
16	206-031-262-027	.SUPPORT, LH	1	6	
17	206-031-262-029	.SUPPORT, RH	1	6	
18	206-031-262-023	.STIFFENER, LH	1	6	
19	206-031-262-025	.STIFFENER, RH	1	6	
20	60-003-1N30	.GROMMET (USBL ON 206-031-262-101) (MAKE FROM MS21266-1N)	1		
20	MS21266-1N	.GROMMET (USBL ON 206-031-262-101)	1	1	
20	60-003-1N38	.GROMMET (USBL ON 206-031-262-103) (MAKE FROM MS21266-1N)	1		
20	MS21266-1N	.GROMMET (USBL ON 206-031-262-103)	1	1	
21	MS21069L3	.NUTPLATE	4	1	
22	206-031-262-045	.SHROUD, UPPER (USBL ON 206-031-262-005)	1		
22	206-031-262-115	.SHROUD, UPPER (USBL ON 206-031-262-101)	1		
22	206-031-262-117	.SHROUD, UPPER (USBL ON 206-031-262-103)	1		
23	206-031-262-039	.SHROUD, LH	1		
24	206-031-262-041	.SHROUD, RH	1		

(1) INDEX NUMBER	(2) PART NUMBER	(3) ITEM NAME	(4) UNIT PER ASSY	(5) A V A I L	(6) U O C									
		<p>FIGURE: 53-11. Shroud assembly, console (S/N 2212 thru 3566) (Cont'd)</p> <p style="text-align: center;">USABLE ON CODES</p> <table border="0" style="margin-left: auto; margin-right: auto;"> <thead> <tr> <th style="text-align: left;">CODE</th> <th style="text-align: left;">MODEL</th> <th style="text-align: left;">SERIAL NUMBER</th> </tr> </thead> <tbody> <tr> <td>A</td> <td>206BIII</td> <td>2212-3523</td> </tr> <tr> <td>B</td> <td>206BIII</td> <td>2212-3566</td> </tr> </tbody> </table> <p>1) UNLESS A USABLE ON PART NUMBER IS LISTED IN THE ITEM NAME COLUMN; NO CODE INDICATES THE PART APPLIES TO ALL SERIAL NUMBERS .</p> <p>2) IF THE SERIAL NUMBER IS BLANK THE PART APPLIES TO ALL SERIAL NUMBERS FOR THAT MODEL .</p>	CODE	MODEL	SERIAL NUMBER	A	206BIII	2212-3523	B	206BIII	2212-3566			
CODE	MODEL	SERIAL NUMBER												
A	206BIII	2212-3523												
B	206BIII	2212-3566												



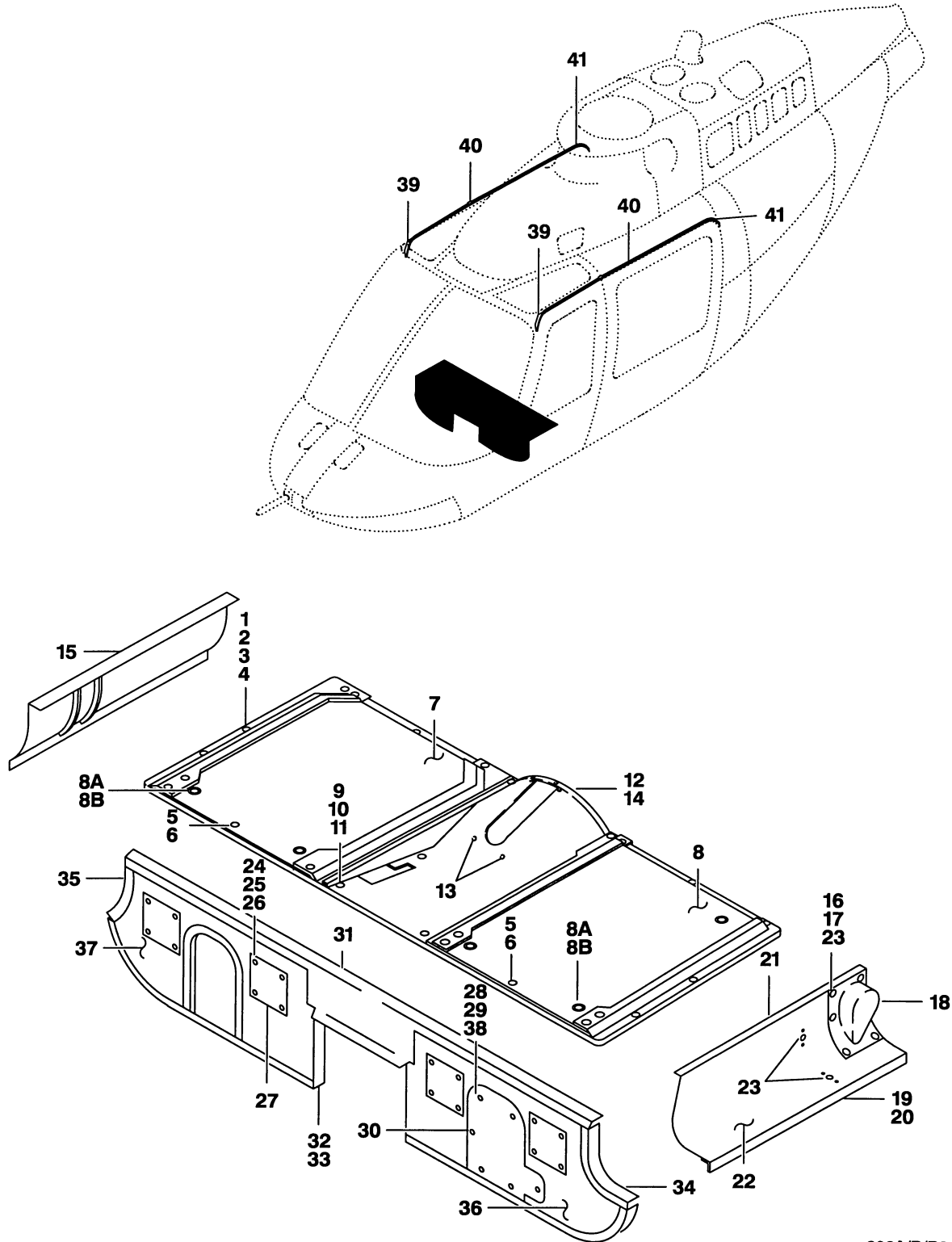
206A/B/B3-53-1008
C0000

Figure 53-12. Shell installation, cabin roof, upper

(1) INDEX NUMBER	(2) PART NUMBER	(3) ITEM NAME	(4) UNIT PER ASSY	(5) A V A I L	(6) U O C
		FIGURE: 53-12. Shell installation, cabin roof, upper			
	206-031-201-005	SHELL INSTL, CABIN ROOF, UPPER	1		
	206-031-201-009	SHELL INSTL, CABIN ROOF, UPPER	1		
	206-031-201-121	SHELL INSTL, CABIN ROOF, UPPER	1		
	206-031-201-153	SHELL INSTL, CABIN ROOF, UPPER	1		
	206-031-201-181	SHELL INSTL, CABIN ROOF, UPPER	1		
	206-031-201-223	SHELL INSTL, CABIN ROOF, UPPER	1		
	206-031-201-237	SHELL INSTL, CABIN ROOF, UPPER	1		
	206-031-201-245	SHELL INSTL, CABIN ROOF, UPPER	1		
	206-031-201-285	SHELL INSTL, CABIN ROOF, UPPER	1		
	206-031-201-289	SHELL INSTL, CABIN ROOF, UPPER	1		
	206-031-201-301	SHELL INSTL, CABIN ROOF, UPPER	1		
1	206-031-201-041	.BRACKET, LH	1	1	
2	206-031-201-103	.BRACKET, RH	1		B
2	206-031-201-143	.BRACKET, RH	1	0	F
2	206-031-201-211	.BRACKET, RH	1	1	Q
3	206-031-201-039	.STIFFENER, LH (REPLACED BY 206-031-201-039S)	1		
3	206-031-201-039S	.STIFFENER, LH (REPLACES 206-031-201-039)	1		
4	206-031-201-040	.STIFFENER, RH	1	1	
5	URA3	.RECEPTACLE	10	1	
6	NAS686A3K	.NUTPLATE (REPLACED BY MS21059L3K)	12		B
6	MS21059L3K	.NUTPLATE (REPLACES NAS686A3K)	12		B
6	RF 3 1/2	.RECEPTACLE	12		L
7	206-031-201-095	.ANGLE, LH	1		B
7	206-031-201-139	.ANGLE, LH	1		M
7	206-031-201-249	.ANGLE, LH	1	0	V
8	206-031-201-096	.ANGLE, RH	1		B
8	206-031-201-140	.ANGLE, RH	1	0	M
8	206-031-201-250	.ANGLE, RH	1		V
9	MS27039-4-04	.SCREW	4	1	P
10	MS21075L3	.NUTPLATE	5		R
11	NAS697C3K	.NUTPLATE (REPLACED BY MS21070-3K)	3		
11	MS21070-3K	.NUTPLATE (REPLACES NAS697C3K)	3		
12	MS21070-3K	.NUTPLATE	1	1	X
13	NAS697A4	.NUTPLATE (REPLACED BY MS21069L4)	2		X
13	MS21069L4	.NUTPLATE (REPLACES NAS697A4)	2		X
14	206-031-201-043	.CLIP	2	0	
15	206-031-201-037	.STIFFENER, LH (REPLACED BY 206-031-201-291)	1		
16	206-031-201-093	.STIFFENER, RH (REPLACED BY 206-031-201-291)	1		
17	206-031-201-291	.STIFFENER (REPLACES 206-031-201-037 AND -093)	2		
18	206-031-201-135	.SUPPORT	1	6	F
19	206-031-201-097	.ANGLE	1	1	
20	206-031-201-065	.SKIN, OUTER	1		B
20	206-031-201-137	.SKIN, OUTER	1		E
20	206-031-201-177	.SKIN, OUTER	1		G
20	206-031-201-231	.SKIN, OUTER	1	6	R
21	80-005-2-8	.INSERT	2	1	R
22	120-098-08C11	.SHIM	4	1	W
23	NAS697A08	.NUTPLATE (REPLACED BY MS21069L08)	2	6	N
23	MS21069L08	.NUTPLATE (REPLACES NAS697A08)	2	6	N
24	206-031-201-007	.SHELL ASSY	1		A

(1) INDEX NUMBER	(2) PART NUMBER	(3) ITEM NAME	(4) UNIT PER ASSY	(5) A V A I L	(6) U O C
		FIGURE: 53-12. Shell installation, cabin roof, upper (Cont'd)			
24	206-031-201-011	.SHELL ASSY	1		C
24	206-031-201-145	.SHELL ASSY	1		E
24	206-031-201-151	.SHELL ASSY	1	0	G
24	206-031-201-179	.SHELL ASSY	1		J
24	206-031-201-225	.SHELL ASSY	1		K
24	206-031-201-239	.SHELL ASSY	1		S
24	206-031-201-247	.SHELL ASSY (REPLACED BY 206-031-201-287, -293, . . -303 AND -307)	1	0	T
24	206-031-201-287	.SHELL ASSY (REPLACES 206-031-201-247) (REPLACED BY 206-031-201-293, -303 AND -307)	1	0	U
24	206-031-201-293	.SHELL ASSY (REPLACES 206-031-201-247 AND -287) . . (REPLACED BY 206-031-201-303 AND -307)	1	0	U
24	206-031-201-303	.SHELL ASSY (REPLACES 206-031-201-247, -287 AND . . -293) (REPLACED BY 206-031-201-307)	1		V
24	206-031-201-307	.SHELL ASSY (REPLACES 206-031-201-247, -287, -293 AND -303)	1		V
25	MS27039-1-07	..SCREW	4	1	Y
26	AN960PD10L	..WASHER (REPLACED BY AN960JD10L)	4		Y
26	AN960JD10L	..WASHER (REPLACES AN960PD10L)	4		Y
27	NAS1474A3	..NUTPLATE	4	1	Y
28	P102F10-1	..PLUG	8	0	H
29	S102F10-08	..SLEEVE (REPLACED BY 80-011-S10F08-0)	8	0	H
29	80-011-S10F08-0	..SLEEVE (REPLACES S102F10-08)	8	0	H
30	80-005-3-8	..INSERT	4	1	Y
31	80-005-1-8	..INSERT	2	1	
32	80-004-2-8	..INSERT	18	1	
33	80-005-2-8	..INSERT	22	1	
34	NAS1068A3	..NUTPLATE (REPLACED BY MS21075L3)	2	0	
34	MS21075L3	..NUTPLATE (REPLACES NAS1068A3)	2	0	
35	206-031-201-105	..SKIN, OUTER	1		E
35	206-031-201-159	..SKIN, OUTER (REPLACED BY 206-031-201-213)	1		G
35	206-031-201-213	..SKIN, OUTER (REPLACES 206-031-201-159)	1		P

(1) INDEX NUMBER	(2) PART NUMBER	(3) ITEM NAME	(4) UNIT PER ASSY	(5) A V A I L	(6) U O C																																																																								
		<p>FIGURE: 53-12. Shell installation, cabin roof, upper (Cont'd)</p> <p style="text-align: center;">USABLE ON CODES</p> <table border="0"> <thead> <tr> <th style="text-align: left;">CODE</th> <th style="text-align: left;">MODEL</th> <th style="text-align: left;">SERIAL NUMBER</th> </tr> </thead> <tbody> <tr><td>A</td><td>206A</td><td>4-53</td></tr> <tr><td>B</td><td>206A</td><td>4-153</td></tr> <tr><td>C</td><td>206A</td><td>54-153</td></tr> <tr><td>D</td><td>206A</td><td>4-253</td></tr> <tr><td>E</td><td>206A</td><td>154-253</td></tr> <tr><td>F</td><td>206A</td><td>154-583</td></tr> <tr><td>G</td><td>206A</td><td>254-583</td></tr> <tr><td>H</td><td>206A/B</td><td>4-253, 584-913</td></tr> <tr><td>J</td><td>206A/B</td><td>584-913</td></tr> <tr><td>K</td><td>206B</td><td>914-1413</td></tr> <tr><td>L</td><td>206A/B/BIII</td><td>154-SUB</td></tr> <tr><td>M</td><td>206A/B/BIII</td><td>154-583, 914-3121</td></tr> <tr><td>N</td><td>206A/B/BIII</td><td>4-3121</td></tr> <tr><td>P</td><td>206A/B/BIII</td><td>254-SUB</td></tr> <tr><td>Q</td><td>206A/B/BIII</td><td>584-SUB</td></tr> <tr><td>R</td><td>206B/BIII</td><td>914-SUB</td></tr> <tr><td>S</td><td>206B/BIII</td><td>1414-3121</td></tr> <tr><td>T</td><td>206BIII</td><td>3122-3566</td></tr> <tr><td>U</td><td>206BIII</td><td>3122-4310</td></tr> <tr><td>V</td><td>206BIII</td><td>3122-SUB</td></tr> <tr><td>W</td><td>206BIII</td><td>3567-SUB</td></tr> <tr><td>X</td><td>206A/B</td><td>4-913</td></tr> <tr><td>Y</td><td>206A/B/BIII</td><td>4-4310</td></tr> </tbody> </table> <p>1) UNLESS A USABLE ON PART NUMBER IS LISTED IN THE ITEM NAME COLUMN; NO CODE INDICATES THE PART APPLIES TO ALL SERIAL NUMBERS.</p> <p>2) IF THE SERIAL NUMBER IS BLANK THE PART APPLIES TO ALL SERIAL NUMBERS FOR THAT MODEL.</p>	CODE	MODEL	SERIAL NUMBER	A	206A	4-53	B	206A	4-153	C	206A	54-153	D	206A	4-253	E	206A	154-253	F	206A	154-583	G	206A	254-583	H	206A/B	4-253, 584-913	J	206A/B	584-913	K	206B	914-1413	L	206A/B/BIII	154-SUB	M	206A/B/BIII	154-583, 914-3121	N	206A/B/BIII	4-3121	P	206A/B/BIII	254-SUB	Q	206A/B/BIII	584-SUB	R	206B/BIII	914-SUB	S	206B/BIII	1414-3121	T	206BIII	3122-3566	U	206BIII	3122-4310	V	206BIII	3122-SUB	W	206BIII	3567-SUB	X	206A/B	4-913	Y	206A/B/BIII	4-4310			
CODE	MODEL	SERIAL NUMBER																																																																											
A	206A	4-53																																																																											
B	206A	4-153																																																																											
C	206A	54-153																																																																											
D	206A	4-253																																																																											
E	206A	154-253																																																																											
F	206A	154-583																																																																											
G	206A	254-583																																																																											
H	206A/B	4-253, 584-913																																																																											
J	206A/B	584-913																																																																											
K	206B	914-1413																																																																											
L	206A/B/BIII	154-SUB																																																																											
M	206A/B/BIII	154-583, 914-3121																																																																											
N	206A/B/BIII	4-3121																																																																											
P	206A/B/BIII	254-SUB																																																																											
Q	206A/B/BIII	584-SUB																																																																											
R	206B/BIII	914-SUB																																																																											
S	206B/BIII	1414-3121																																																																											
T	206BIII	3122-3566																																																																											
U	206BIII	3122-4310																																																																											
V	206BIII	3122-SUB																																																																											
W	206BIII	3567-SUB																																																																											
X	206A/B	4-913																																																																											
Y	206A/B/BIII	4-4310																																																																											



206A/B/B3-53-1013
C0000

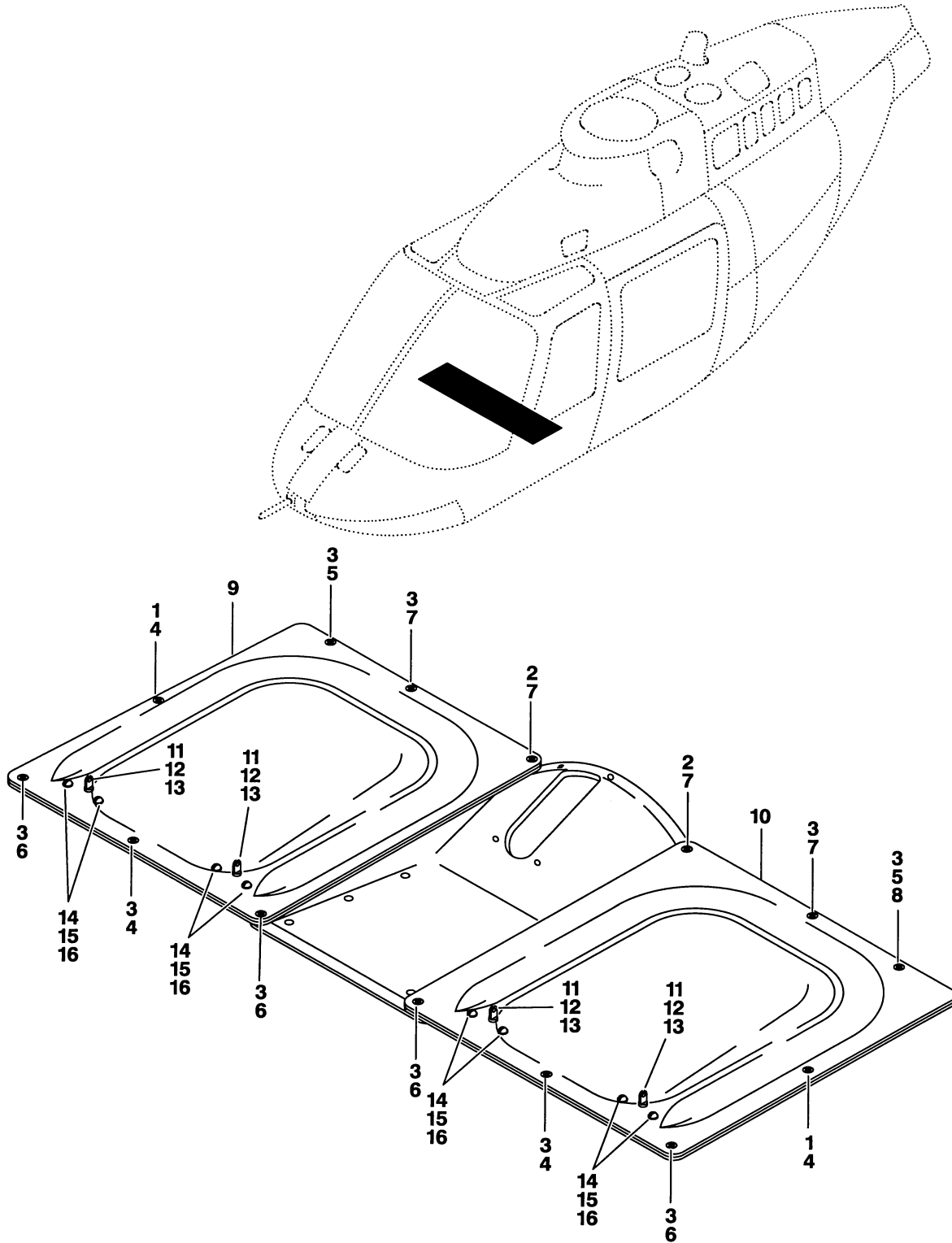
Figure 53-13. Seat, pilot and co-pilot (4 thru 3566); cover, console; pilot and co-pilot cover and bulkhead, front seat and rain gutter installations

(1) INDEX NUMBER	(2) PART NUMBER	(3) ITEM NAME	(4) UNIT PER ASSY	(5) A V A I L	(6) U O C
		FIGURE: 53-13. Seat, pilot and co-pilot (4 thru 3566); cover, console; pilot and co-pilot cover and bulkhead, front seat and rain gutter installations			
	206-031-141-001	SEAT INSTL, PILOT	1		
	206-031-141-003	SEAT INSTL, CO-PILOT	1		
	206-031-141-035	SEAT INSTL, PILOT	1		
	206-031-141-037	SEAT INSTL, CO-PILOT	1		
	206-031-260-105	SEAT INSTL, PILOT (SEE FIG. 13A FOR BREAKDOWN) (S/N 3567 THRU SUB)	1		
	206-031-260-101	SEAT INSTL, CO-PILOT (SEE FIG. 13A FOR BREAKDOWN) (S/N 3567 THRU SUB)	1		
1	MS27039-1-09	.SCREW	7	1	A
2	MS27039-1-09	.SCREW	1	1	H
3	AN960PD10L	.WASHER (REPLACED BY AN960JD10L)	7		A
3	AN960JD10L	.WASHER (REPLACES AN960PD10L) (REPLACED BY NAS1149D0332J)	7		A
3	NAS1149D0332J	.WASHER (REPLACES AN960JD10L)	7		A
4	AN960PD10L	.WASHER (REPLACED BY AN960JD10L)	1		H
4	AN960JD10L	.WASHER (REPLACES AN960PD10L) (REPLACED BY NAS1149D0332J)	1		H
4	NAS1149D0332J	.WASHER (REPLACES AN960JD10L)	1		H
5	AN509-10R10	.SCREW (REPLACED BY MS24694S52)	6		H
5	MS24694S52	.SCREW (REPLACES AN509-10R10) (REPLACED BY MS24694-S52)	6		H
5	MS24694-S52	.SCREW (REPLACES MS24694S52)	6	1	H
6	NAS697A3	.NUTPLATE (REPLACED BY MS21069L3)	7		H
6	MS21069L3	.NUTPLATE (REPLACES NAS697A3)	7	1	H
7	206-031-141-005	.PANEL ASSY, PILOT	1		A
7	206-031-141-039	.PANEL ASSY, PILOT (REPLACED BY 206-031-141-101)	1	0	M
7	206-031-141-101	.PANEL ASSY, PILOT (REPLACES 206-031-141-039)	1	1	M
8	206-031-141-007	.PANEL ASSY, CO-PILOT	1		A
8	206-031-141-041	.PANEL ASSY, CO-PILOT (REPLACED BY 206-031-141-105)	1		M
8	206-031-141-105	.PANEL ASSY, CO-PILOT (REPLACES 206-031-141-041)	1	1	M
8A	80-013-P3D1-9	..PLUG (USBL ON 206-031-141-039, -041, -101 AND -105)	2	1	
8B	80-013-S3F08-9	..SLEEVE (USBL ON 206-031-141-039, -041, -101 AND -105)	2	1	
	206-031-168-001	COVER INSTL, CONSOLE	1		
	206-031-168-111	COVER INSTL, CONSOLE	1		
9	MS27039-0807	.SCREW	6	1	
10	AN960PD8L	.WASHER (REPLACED BY AN960JD8L)	6		
10	AN960JD8L	.WASHER (REPLACES AN960PD8L) (REPLACED BY NAS1149DN816J)	6	1	
10	NAS1149DN816J	.WASHER (REPLACES AN960JD8L)	6		
11	NAS697A08	.NUTPLATE (REPLACED BY MS21069L08)	8	6	
11	MS21069L08	.NUTPLATE (REPLACES NAS697A08)	8	1	
12	206-031-168-003	.COVER ASSY (REPLACED BY 206-031-168-113)	1		J
12	206-031-168-113	.COVER ASSY (REPLACES 206-031-168-003)	1		K

(1) INDEX NUMBER	(2) PART NUMBER	(3) ITEM NAME	(4) UNIT PER ASSY	(5) A V A I L	(6) U O C
		FIGURE: 53-13. Seat, pilot and co-pilot (4 thru 3566); cover, console; pilot and co-pilot cover and bulkhead, front seat and rain gutter installations (Cont'd)			
13	MS21069L08K	..NUTPLATE	2	1	
14	206-031-168-015	..COVER	1	6	J
14	206-031-168-129	..COVER	1		K
	206-031-120-001	COVER INSTL, PILOT SEAT	1		
15	206-031-120-017	.WEB	1		
	206-031-121-005	COVER INSTL, CO-PILOT SEAT	1		
	206-031-121-047	COVER INSTL, CO-PILOT SEAT	1		
16	MS27039DD0807	.SCREW	6	1	
17	AN960PD8L	.WASHER (REPLACED BY AN960JD8L)	6		
17	AN960JD8L	.WASHER (REPLACES AN960PD8L) (REPLACED BY NAS1149DN816J)	6	1	
17	NAS1149DN816J	.WASHER (REPLACES AN960JD8L)	6		
18	206-031-121-019	.FAIRING	1	1	
19	206-031-121-051	.STIFFENER	1		P
20	206-031-121-017	.ANGLE	1		D
21	206-031-121-049	.COVER ASSY, CO-PILOT (REPLACED BY 206-031-121-007)	1		P
21	206-031-121-007	.COVER ASSY, CO-PILOT (REPLACES 206-031-121-049)	1		DNS
22	206-031-121-053	..WEB (REPLACED BY 206-031-121-023)	1		P
22	206-031-121-023	..WEB (REPLACES 206-031-121-053)	1		DNS
23	MS21069L08K	..NUTPLATE	6	1	
	206-031-102-009	BULKHEAD INSTL, FRONT SEAT SUPPORT	1		
	206-031-102-091	BULKHEAD INSTL, FRONT SEAT SUPPORT	1		
	206-031-102-121	BULKHEAD INSTL, FRONT SEAT SUPPORT	1		
24	NAS679A08	.NUT (REPLACED BY MS21042L08)	16		
24	MS21042L08	.NUT (REPLACES NAS679A08)	16	1	
25	AN960PD8L	.WASHER (REPLACED BY AN960JD8L)	32		
25	AN960JD8L	.WASHER (REPLACES AN960PD8L) (REPLACED BY NAS1149DN816J)	32	1	
25	NAS1149DN816J	.WASHER (REPLACES AN960JD8L)	32		
26	MS27039DD0813	.SCREW	16	1	
27	206-031-102-031	.COVER	4	1	
28	MS27039-0805	.SCREW	6	1	
29	AN960PD8L	.WASHER (REPLACED BY AN960JD8L)	6		
29	AN960JD8L	.WASHER (REPLACES AN960PD8L) (REPLACED BY NAS1149DN816J)	6	1	
29	NAS1149DN816J	.WASHER (REPLACES AN960JD8L)	6		
30	206-031-144-001	.COVER	1	1	
31	206-031-102-023	.STIFFENER	1		B
31	206-031-102-093	.STIFFENER (REPLACED BY 206-031-102-155)	1	1	L
31	206-031-102-155	.STIFFENER (REPLACES 206-031-102-093)	1	6	LQ
32	206-031-102-025	.ANGLE, LH	1		F
32	206-031-102-103	.ANGLE, LH	1	6	P
33	206-031-102-026	.ANGLE, RH	1		
34	206-031-102-027	.SUPPORT, LH	1	1	
35	206-031-102-029	.SUPPORT, RH	1	1	

(1) INDEX NUMBER	(2) PART NUMBER	(3) ITEM NAME	(4) UNIT PER ASSY	(5) A V A I L	(6) U O C
		FIGURE: 53-13. Seat, pilot and co-pilot (4 thru 3566); cover, console; pilot and co-pilot cover and bulkhead, front seat and rain gutter installations (Cont'd)			
	206-031-102-011	. PANEL ASSY (REPLACED BY 206-031-102-123)	1		G
	206-031-102-123	. PANEL ASSY (REPLACES 206-031-102-011)	1		Q
36	206-031-102-057	.. PANEL ASSY, LH (REPLACED BY 206-031-102-113, . . . -127 AND -153)	1		E
36	206-031-102-113	.. PANEL ASSY, LH (REPLACES 206-031-102-057) (REPLACED BY 206-031-102-127 AND -153)	1	0	F
36	206-031-102-127	.. PANEL ASSY, LH (REPLACES 206-031-102-057 AND . . . -113) (REPLACED BY 206-031-102-153)	1	0	G
36	206-031-102-153	.. PANEL ASSY, LH (REPLACES 206-031-102-057, -113 . AND -127)	1		
37	206-031-102-055	.. PANEL ASSY, RH (REPLACED BY 206-031-102-107 AND -125)	1	0	E
37	206-031-102-107	.. PANEL ASSY, RH (REPLACES 206-031-102-055) (REPLACED BY 206-031-102-125)	1	0	G
37	206-031-102-125	.. PANEL ASSY, RH (REPLACES 206-031-102-055 AND . . . -107)	1		
38	404H832-08	... INSERT	4		G
38	80-004-1-8	... INSERT	4	1	
	206-031-267-103	GUTTER INSTL, LH	1		
	206-031-267-104	GUTTER INSTL, RH	1		
39	206-031-267-127	. RAIN GUTTER, LH	1		
39	206-031-267-128	. RAIN GUTTER, RH	1		
40	206-031-267-123	. RAIN GUTTER, LH	1		
40	206-031-267-124	. RAIN GUTTER, RH	1		
41	206-031-267-125	. RAIN GUTTER, LH	1		
41	206-031-267-126	. RAIN GUTTER, RH	1		

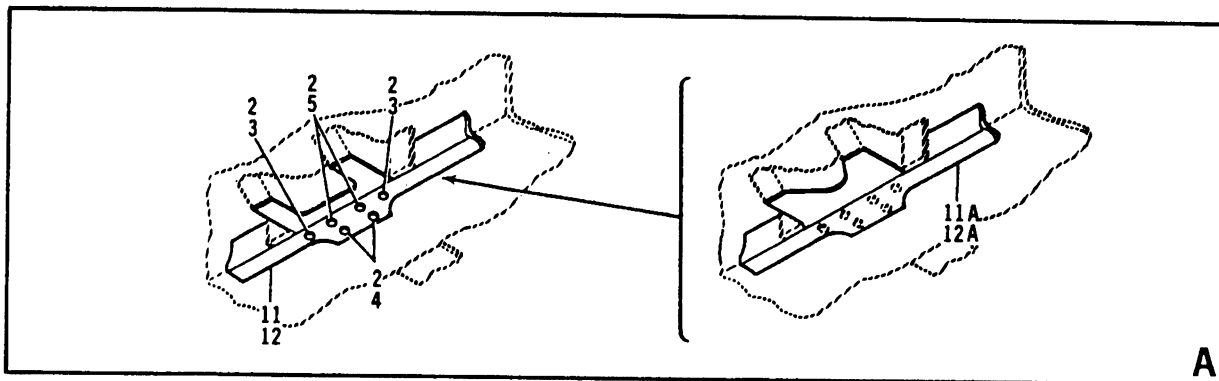
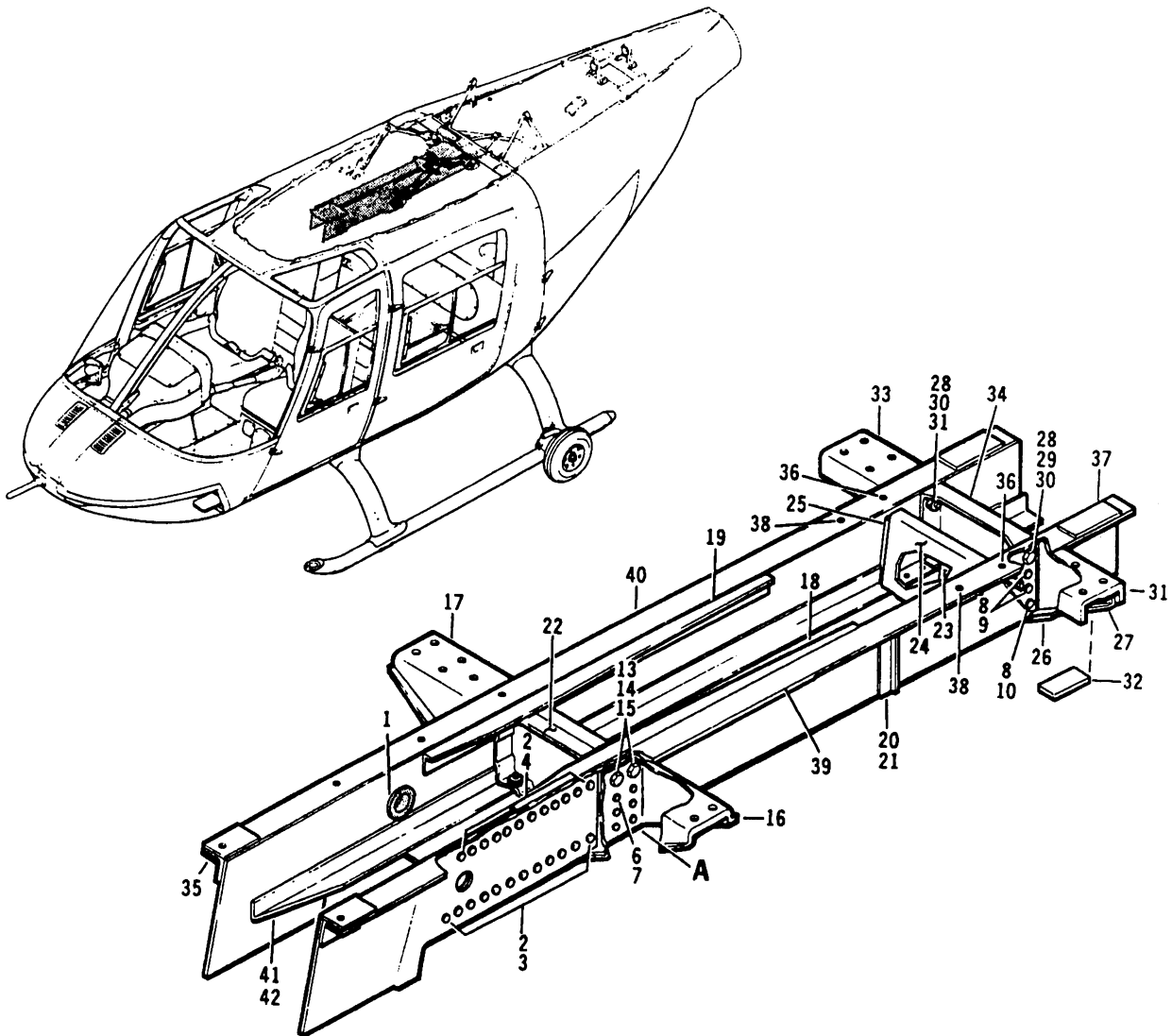
(1) INDEX NUMBER	(2) PART NUMBER	(3) ITEM NAME	(4) UNIT PER ASSY	(5) A V A I L	(6) U O C																																																						
		<p>FIGURE: 53-13. Seat, pilot and co-pilot (4 thru 3566); cover, console; pilot and co-pilot cover and bulkhead, front seat and rain gutter installations (Cont'd)</p> <p style="text-align: center;">USABLE ON CODES</p> <table border="0" style="width: 100%;"> <thead> <tr> <th style="text-align: left;">CODE</th> <th style="text-align: left;">MODEL</th> <th style="text-align: left;">SERIAL NUMBER</th> </tr> </thead> <tbody> <tr><td>A</td><td>206A</td><td>4-103</td></tr> <tr><td>B</td><td>206A</td><td>4-583</td></tr> <tr><td>C</td><td>206A/B/BIII</td><td>4-1563</td></tr> <tr><td>D</td><td>206A/B</td><td>104-2336</td></tr> <tr><td>E</td><td>206A/B/BIII</td><td>4-3534</td></tr> <tr><td>F</td><td>206A/B/BIII</td><td>4-3566</td></tr> <tr><td>G</td><td>206A/B/BIII</td><td>4-4175</td></tr> <tr><td>H</td><td>206A/B/BIII</td><td>104-3566</td></tr> <tr><td>J</td><td>206A/B/BIII</td><td>414-3566</td></tr> <tr><td>K</td><td>206A/B/BIII</td><td>414-SUB</td></tr> <tr><td>L</td><td>206A/B/BIII</td><td>584-3566</td></tr> <tr><td>M</td><td>206B/BIII</td><td>1564-3566</td></tr> <tr><td>N</td><td>206BIII</td><td>2337-4253</td></tr> <tr><td>P</td><td>206BIII</td><td>2337-SUB</td></tr> <tr><td>Q</td><td>206BIII</td><td>3567-SUB</td></tr> <tr><td>R</td><td>206BIII</td><td>4176-SUB</td></tr> <tr><td>S</td><td>206BIII</td><td>4254-SUB</td></tr> </tbody> </table> <p>1) UNLESS A USABLE ON PART NUMBER IS LISTED IN THE ITEM NAME COLUMN; NO CODE INDICATES THE PART APPLIES TO ALL SERIAL NUMBERS.</p> <p>2) IF THE SERIAL NUMBER IS BLANK THE PART APPLIES TO ALL SERIAL NUMBERS FOR THAT MODEL.</p>	CODE	MODEL	SERIAL NUMBER	A	206A	4-103	B	206A	4-583	C	206A/B/BIII	4-1563	D	206A/B	104-2336	E	206A/B/BIII	4-3534	F	206A/B/BIII	4-3566	G	206A/B/BIII	4-4175	H	206A/B/BIII	104-3566	J	206A/B/BIII	414-3566	K	206A/B/BIII	414-SUB	L	206A/B/BIII	584-3566	M	206B/BIII	1564-3566	N	206BIII	2337-4253	P	206BIII	2337-SUB	Q	206BIII	3567-SUB	R	206BIII	4176-SUB	S	206BIII	4254-SUB			
CODE	MODEL	SERIAL NUMBER																																																									
A	206A	4-103																																																									
B	206A	4-583																																																									
C	206A/B/BIII	4-1563																																																									
D	206A/B	104-2336																																																									
E	206A/B/BIII	4-3534																																																									
F	206A/B/BIII	4-3566																																																									
G	206A/B/BIII	4-4175																																																									
H	206A/B/BIII	104-3566																																																									
J	206A/B/BIII	414-3566																																																									
K	206A/B/BIII	414-SUB																																																									
L	206A/B/BIII	584-3566																																																									
M	206B/BIII	1564-3566																																																									
N	206BIII	2337-4253																																																									
P	206BIII	2337-SUB																																																									
Q	206BIII	3567-SUB																																																									
R	206BIII	4176-SUB																																																									
S	206BIII	4254-SUB																																																									



206A/B/B3-53-1013A
C0000

Figure 53-13A. Seat installation, pilot and co-pilot (3567 thru sub)

(1) INDEX NUMBER	(2) PART NUMBER	(3) ITEM NAME	(4) UNIT PER ASSY	(5) A V A I L	(6) U O C
		FIGURE: 53-13A. Seat installation, pilot and co-pilot (3567 thru sub)			
	206-031-260-105	SEAT INSTL, PILOT	REF		
	206-031-260-101	SEAT INSTL, CO-PILOT	REF		
1	MS27039-1-09	.SCREW	1	1	
2	MS24694-S51	.SCREW	1	1	
3	MS24694-S49	.SCREW	5		
4	MS21059L3K	.NUTPLATE	2	1	
5	MS21061L3	.NUTPLATE (USBL ON 206-031-260-105)	1	1	
6	MS21061L3K	.NUTPLATE	2	1	
7	MS21075L3	.NUTPLATE	2		
8	MS21075L3	.NUTPLATE (USBL ON 206-031-260-101)	1		
9	206-031-260-129	.SEAT ASSY, PILOT	1	1	
10	206-031-260-127	.SEAT ASSY, CO-PILOT	1	1	
11	MS21042L3	..NUT	2	1	
12	AN960JD10	..WASHER (REPLACED BY NAS1149D0363J)	2		
12	NAS1149D0363J	..WASHER (REPLACES AN960JD10)	2		
13	AN42B-5A	..EYEBOLT	2	1	
14	AN525-10R6	..SCREW	4	1	
15	AN960JD10	..WASHER (REPLACED BY NAS1149D0363J)	4		
15	NAS1149D0363J	..WASHER (REPLACES AN960JD10)	4		
	206-031-260-147	..SEAT SUB ASSY, PILOT	1	0	
	206-031-260-141	..SEAT SUB ASSY, CO-PILOT	1	0	
16	MS21059L3	...NUTPLATE	4	1	

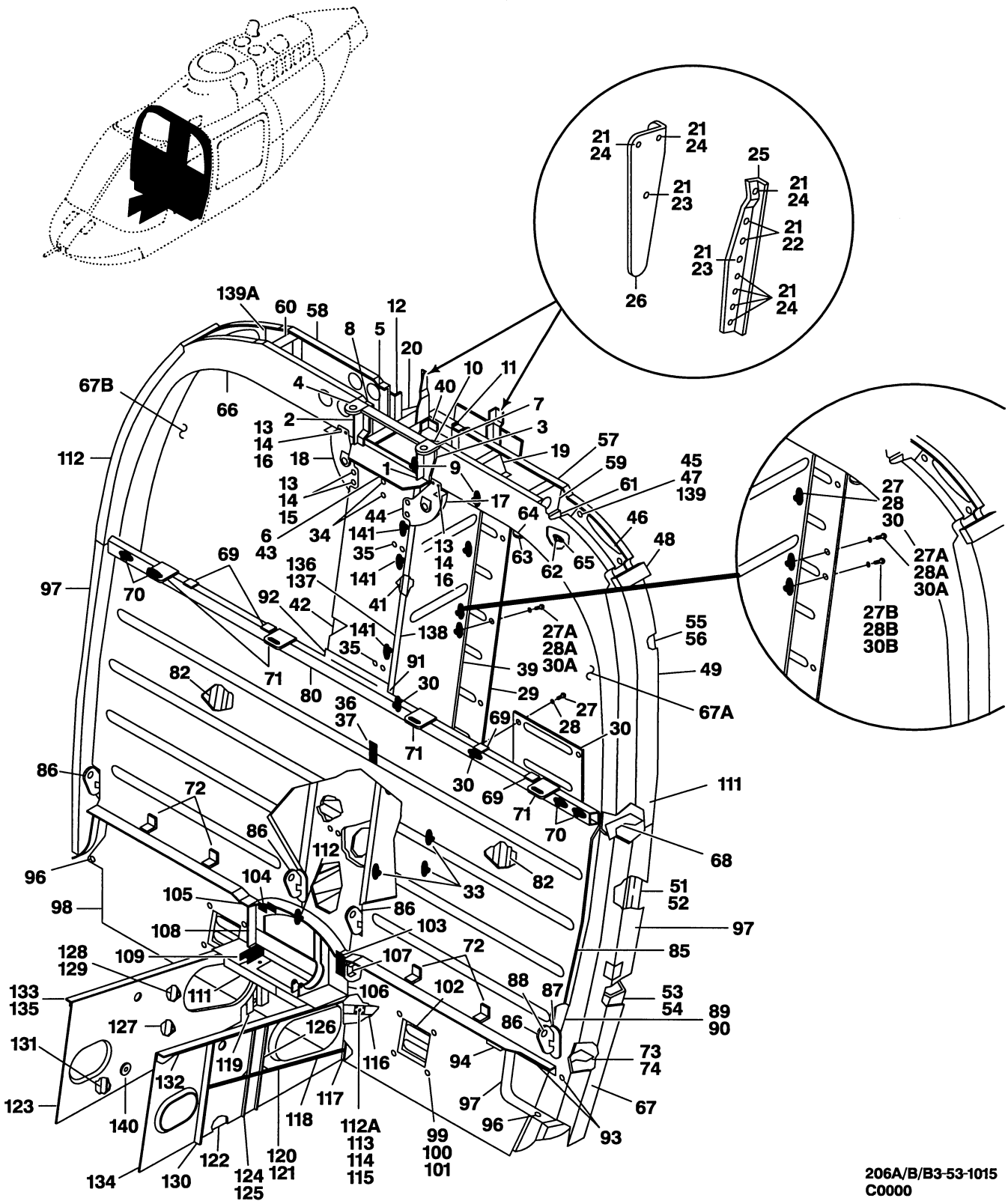


206A/B/B3-53-1009
C0000

Figure 53-14. Beam installation, cabin roof, upper

(1) INDEX NUMBER	(2) PART NUMBER	(3) ITEM NAME	(4) UNIT PER ASSY	(5) A V A I L	(6) U O C
		FIGURE: 53-14. Beam installation, cabin roof, upper			
	206-031-200-001	BEAM INSTL, CABIN ROOF, UPPER	1		
	206-031-200-005	BEAM INSTL, CABIN ROOF, UPPER	1		
	206-031-200-065	BEAM INSTL, CABIN ROOF, UPPER	1		
	206-031-200-007	BEAM INSTL, CABIN ROOF, UPPER	1	0	
	206-031-200-009	BEAM INSTL, CABIN ROOF, UPPER	1	0	
	206-031-200-129	BEAM INSTL, CABIN ROOF, UPPER	1		
1	MS35489-51	.GROMMET	1	1	
2	NAS528-A5	.COLLAR	56	1	
3	NAS1054-5-3	.PIN	28	1	
4	NAS1054-5-4	.PIN	28	1	
5	NAS1054-5-5	.PIN, LH	4	1	
6	NAS528-A6	.COLLAR, RH	12	1	
7	NAS1054-6-8	.PIN	12	1	
8	NAS528-A8	.COLLAR	6	1	
9	NAS1054-8-5	.PIN	4	1	
10	NAS1054-8-7	.PIN	2	1	
11	206-031-200-023	.STRAP, LH (PRE ASB 206-01-74-2) (REPLACED BY 206-032-200-037)	1	0	A
11A	206-032-200-037	.STRAP, LH (POST ASB 206-01-74-2) (REPLACES 206-031-200-023)	1		B
11A	206-031-200-075	.STRAP, LH	1	0	D
12	206-031-200-024	.STRAP, RH (PRE ASB 206-01-74-2) (REPLACED BY 206-031-200-038)	1		A
12A	206-032-200-038	.STRAP, RH (POST ASB 206-01-74-2) (REPLACES 206-031-200-024)	1		B
12A	206-031-200-076	.STRAP, RH	1	0	D
13	NAS679A4	.NUT (REPLACED BY MS21042L4)	4	0	
13	MS21042L4	.NUT (REPLACES NAS679A4)	4	1	
14	AN960JD416	.WASHER (REPLACED BY NAS1149D0463J)	4		
14	NAS1149D0463J	.WASHER (REPLACES AN960JD416)	4		
15	AN4-10A	.BOLT	4	1	
16	206-031-202-001	.SUPPORT, LH (USBL ON 206-031-200-001, -005, -065 AND -007) (REPLACED BY 206-031-202-023)	1	0	
16	206-031-202-023	.SUPPORT, LH (REPLACES 206-031-202-001)	1	1	
17	206-031-202-003	.SUPPORT, RH (USBL ON 206-031-200-001, -005 AND -065) (REPLACED BY 206-031-202-009 AND -015)	1		
17	206-031-202-009	.SUPPORT, RH (USBL ON 206-031-200-001, -005, -065 AND -007) (REPLACES 206-031-202-015)	1		
17	206-031-202-015	.SUPPORT, RH (REPLACES 206-031-202-003 AND -009)	1		
18	206-031-200-031	.ANGLE, LH	1		
19	206-031-200-032	.ANGLE, RH	1	6	
20	206-031-200-025	.STIFFENER, LH	1		
21	206-031-200-026	.STIFFENER	1	6	
22	206-031-204-001	.BULKHEAD	1	6	
23	206-031-200-029	.CHANNEL (NOTE 1)	1		C
24	206-031-200-051	.BULKHEAD (NOTE 1)	1		C
24	206-031-200-113	.BULKHEAD (NOTE 1)	1	6	
25	206-031-200-047	.CLIP	1		
26	206-031-200-021	.STRAP, LH	1	6	
28	NAS679A4	.NUT (REPLACED BY MS21042L4)	2	0	

(1) INDEX NUMBER	(2) PART NUMBER	(3) ITEM NAME	(4) UNIT PER ASSY	(5) A V A I L	(6) U O C																		
FIGURE: 53-14. Beam installation, cabin roof, upper (Cont'd)																							
28	MS21042L4	.NUT (REPLACES NAS679A4)	2	1																			
29	AN960JD416	.WASHER (REPLACED BY NAS1149D0463J)	2																				
29	NAS1149D0463J	.WASHER (REPLACES AN960JD416)	2																				
30	AN4-10A	.BOLT	2	1	C																		
30	NAS6204-9	.BOLT	2	1	E																		
31	206-031-203-001	.SUPPORT, LH	1																				
32	206-031-200-049	.FILLER	2	6																			
33	206-031-203-002	.SUPPORT	1	1																			
34	206-031-204-003	.BULKHEAD (USBL ON 206-031-200-001, -005, -065 . . . AND -009) (REPLACED BY 206-031-204-103)	1																				
34	206-031-204-103	.BULKHEAD (REPLACES 206-031-204-003)	1	6																			
35	NAS698A5	.NUTPLATE (REPLACED BY MS21073L5)	2																				
35	MS21073L5	.NUTPLATE (REPLACES NAS698A5)	2																				
36	NAS1067A4	.NUTPLATE (REPLACED BY MS21086L4)	2																				
36	MS21086L4	.NUTPLATE (REPLACES NAS1067A4)	2	1																			
37	206-031-200-039	.FILLER	2																				
38	NAS697A4	.NUTPLATE (REPLACED BY MS21069L4)	2																				
38	MS21069L4	.NUTPLATE (REPLACES NAS697A4)	2	1																			
39	206-031-200-035	.CAP, UPPER, LH	1																				
40	206-031-200-036	.CAP, UPPER, RH	1																				
41	206-031-200-037	.CAP, LOWER, LH	1	0																			
42	206-031-200-038	.CAP, LOWER, RH	1	0																			
<p>NOTE 1: USE 206-031-200-113 BULKHEAD TO REPLACE 206-031-200-029 CHANNEL AND 206-031-200-051 BULKHEAD AS A UNIT.</p> <p style="text-align: center;">USABLE ON CODES</p> <table border="0" style="margin-left: auto; margin-right: auto;"> <thead> <tr> <th>CODE</th> <th>MODEL</th> <th>SERIAL NUMBER</th> </tr> </thead> <tbody> <tr> <td>A</td> <td>206A/B</td> <td>4-913</td> </tr> <tr> <td>B</td> <td>206A/B</td> <td>4-1563</td> </tr> <tr> <td>C</td> <td>206A/B/BIII</td> <td>4-4107</td> </tr> <tr> <td>D</td> <td>206BIII</td> <td>1564-SUB</td> </tr> <tr> <td>E</td> <td>206BIII</td> <td>4108-SUB</td> </tr> </tbody> </table> <p>1) UNLESS A USABLE ON PART NUMBER IS LISTED IN THE ITEM NAME COLUMN; NO CODE INDICATES THE PART APPLIES TO ALL SERIAL NUMBERS.</p> <p>2) IF THE SERIAL NUMBER IS BLANK THE PART APPLIES TO ALL SERIAL NUMBERS FOR THAT MODEL.</p>						CODE	MODEL	SERIAL NUMBER	A	206A/B	4-913	B	206A/B	4-1563	C	206A/B/BIII	4-4107	D	206BIII	1564-SUB	E	206BIII	4108-SUB
CODE	MODEL	SERIAL NUMBER																					
A	206A/B	4-913																					
B	206A/B	4-1563																					
C	206A/B/BIII	4-4107																					
D	206BIII	1564-SUB																					
E	206BIII	4108-SUB																					



206A/B/B3-53-1015
C0000

Figure 53-15. Bulkhead installation, STA 73.04

(1) INDEX NUMBER	(2) PART NUMBER	(3) ITEM NAME	(4) UNIT PER ASSY	(5) A V A I L	(6) U O C
		FIGURE: 53-15. Bulkhead installation, STA 73.04			
	206-031-106-005	BULKHEAD INSTL, STA 73.04	1		
	206-031-106-009	BULKHEAD INSTL, STA 73.04	1		
	206-031-106-273	BULKHEAD INSTL, STA 73.04	1		
	206-031-106-281	BULKHEAD INSTL, STA 73.04	1		
	206-031-106-219	BULKHEAD INSTL, STA 73.04	1		
	206-031-106-315	BULKHEAD INSTL, STA 73.04	1		
	206-031-106-295	BULKHEAD INSTL, STA 73.04	1		
	206-031-106-353	BULKHEAD INSTL, STA 73.04	1		
	206-031-106-367	BULKHEAD INSTL, STA 73.04	1		
	206-031-106-381	BULKHEAD INSTL, STA 73.04	1		
	206-031-106-387	BULKHEAD INSTL, STA 73.04	1		
	206-031-106-391	BULKHEAD INSTL, STA 73.04	1		
	206-031-106-415	BULKHEAD INSTL, STA 73.04	1		
	206-031-106-437	BULKHEAD INSTL, STA 73.04	1		
	206-031-106-007	.BULKHEAD ASSY	1		A
	206-031-106-011	.BULKHEAD ASSY	1		C
	206-031-106-275	.BULKHEAD ASSY	1		D
	206-031-106-283	.BULKHEAD ASSY	1		E
	206-031-106-221	.BULKHEAD ASSY	1	0	F
	206-031-106-317	.BULKHEAD ASSY	1		J
	206-031-106-297	.BULKHEAD ASSY	1	0	K
	206-031-106-355	.BULKHEAD ASSY	1	0	M
	206-031-106-369	.BULKHEAD ASSY	1		V
	206-031-106-383	.BULKHEAD ASSY (REPLACED BY 206-031-106-389)	1		X
	206-031-106-389	.BULKHEAD ASSY (REPLACES 206-031-106-383)	1		X
	206-031-106-393	.BULKHEAD ASSY	1		Y
	206-031-106-417	.BULKHEAD ASSY	1		Z
	206-031-106-439	.BULKHEAD ASSY	1		1
	206-031-106-447	.BULKHEAD ASSY	1		3
1	206-031-106-207	..CLIP, LH	1		
2	206-031-106-208	..CLIP, RH	1		
3	206-031-147-001	..FITTING, LH	1		
4	206-031-147-002	..FITTING, RH	1	1	
5	206-031-106-105	..STIFFENER	1		
6	206-031-106-103	..STIFFENER	1	1	
7	206-031-106-205	..CLIP, LH	1	1	
8	206-031-106-206	..CLIP, RH	1	1	
9	NAS697A06	..NUTPLATE	4	1	
10	206-031-106-209	..STIFFENER	1	1	
11	206-031-106-109	..STIFFENER, LH	1		
12	206-031-106-110	..STIFFENER, RH	1		
13	MS27039-0807	..SCREW	8	1	PY
14	AN960PD8L	..WASHER (REPLACED BY AN960JD8L)	8		PY
14	AN960JD8L	..WASHER (REPLACES AN960PD8L) (REPLACED BY NAS1149DN816J)	8	1	PY
14	NAS1149DN816J	..WASHER (REPLACES AN960JD8L)	8		PY
15	MS21042L08	..NUT	4	1	PY
16	NAS696A08	..NUTPLATE (REPLACED BY MS21071L08)	4		PY
16	MS21071L08	..NUTPLATE (REPLACES NAS696A08)	4	1	PY
17	206-070-246-003	..BRACKET, LH	1	1	PY

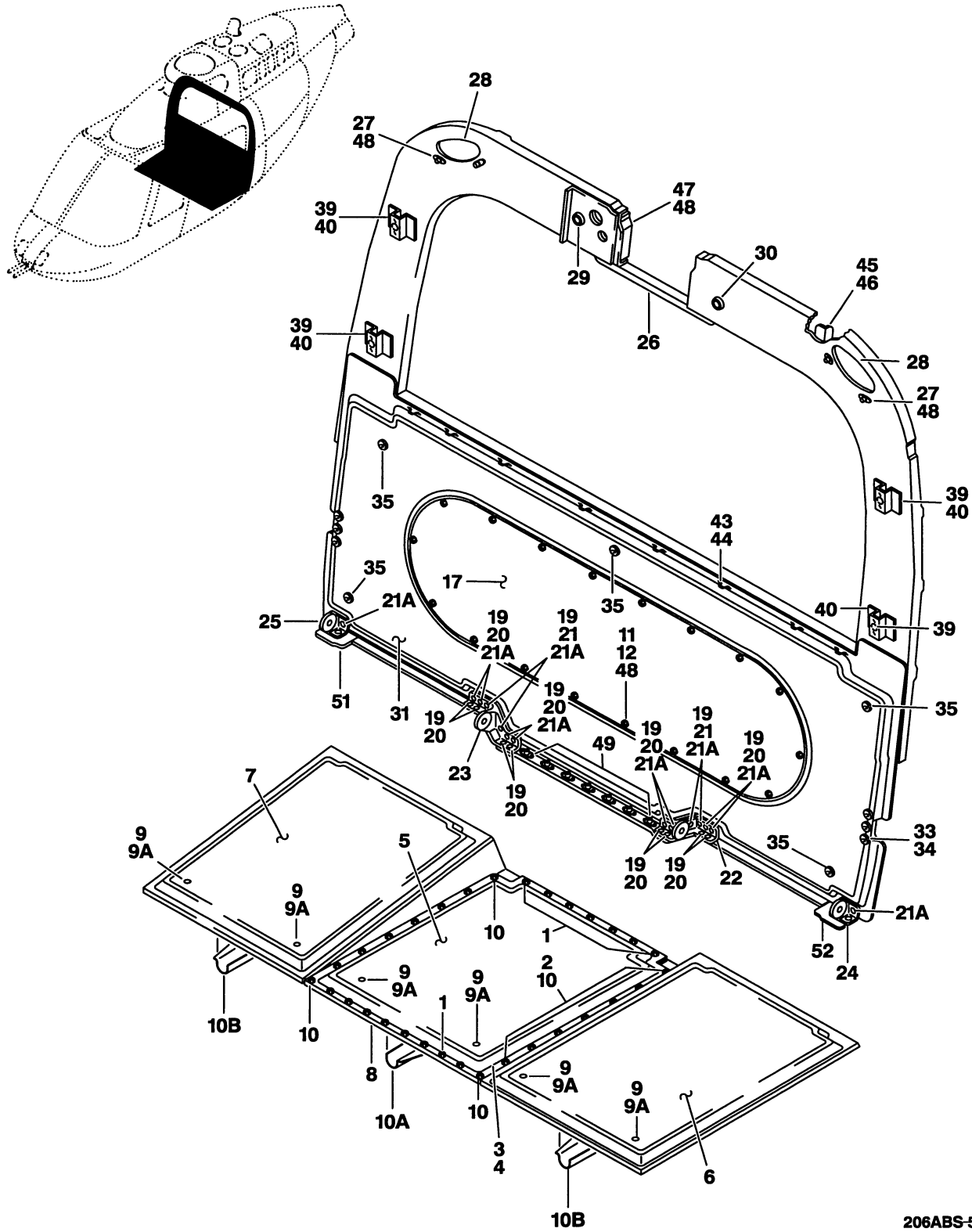
(1) INDEX NUMBER	(2) PART NUMBER	(3) ITEM NAME	(4) UNIT PER ASSY	(5) A V A I L	(6) U O C
		FIGURE: 53-15. Bulkhead installation, STA 73.04 (Cont'd)			
18	206-070-246-001	..BRACKET, RH	1	1	PY
19	206-031-106-023	..STIFFENER, LH	1		
20	206-031-106-024	..STIFFENER, RH	1		
21	NAS528A6	..COLLAR (REPLACED BY NAS528-A6)	11		
21	NAS528-A6	..COLLAR (REPLACES NAS528A6)	11	1	
22	NAS1054-6-3	..PIN	2	1	
23	NAS1054-6-6	..PIN	2	1	
24	NAS1054-6-4	..PIN	7	1	
25	206-031-106-069	..STIFFENER, LH	1		
26	206-031-106-131	..STIFFENER, RH	1		
27	MS35207-263	..SCREW	13	1	
27A	MS35207-263	..SCREW	1	1	GJK
27B	MS35207-263	..SCREW	2	1	ACD
28	AN960PD10L	..WASHER (REPLACED BY AN960JD10L)	13		
28	AN960JD10L	..WASHER (REPLACES AN960PD10L) (REPLACED BY NAS1149D0332J)	13		
28	NAS1149D0332J	..WASHER (REPLACES AN960JD10L)	13		
28A	AN960PD10L	..WASHER (REPLACED BY AN960JD10L)	1		GJK
28A	AN960JD10L	..WASHER (REPLACES AN960PD10L) (REPLACED BY NAS1149D0332J)	1		GJK
28A	NAS1149D0332J	..WASHER (REPLACES AN960JD10L)	1		GJK
28B	AN960PD10L	..WASHER (REPLACED BY AN960JD10L)	2		ACD
28B	AN960JD10L	..WASHER (REPLACES AN960PD10L) (REPLACED BY NAS1149D0332J)	2		ACD
28B	NAS1149D0332J	..WASHER (REPLACES AN960JD10L)	2		ACD
29	206-031-142-003	..DOOR	1	1	
30	NAS1068A3	..NUTPLATE (REPLACED BY MS21075L3)	13	0	N
30	MS21075L3	..NUTPLATE (REPLACES NAS1068A3)	13		N
30	SL211-3-1	..NUT PLATE	13	1	XY2
30A	NAS1068A3	..NUTPLATE (REPLACED BY MS21075L3)	1	0	GJK
30A	MS21075L3	..NUTPLATE (REPLACES NAS1068A3)	1		GJK
30B	NAS1068A3	..NUTPLATE (REPLACED BY MS21075L3)	2	0	ACD
30B	MS21075L3	..NUTPLATE (REPLACES NAS1068A3)	2		ACD
31	206-031-142-001	..DOOR, ACCESS	1		AC
32	206-031-142-005	..DOOR, ACCESS	1	1	Q
33	MS21059L06	..NUTPLATE	6	1	T
34	MS21059L08	..NUTPLATE	2	1	T
35	MS21059L3	..NUTPLATE	2	1	T
36	C60207AA-020	..FASTENER	1	6	MU
37	AN960PD10	..WASHER (REPLACED BY AN960JD10)	1		MU
37	AN960JD10	..WASHER (REPLACES AN960PD10) (REPLACED BY NAS1149D0363J)	1		MU
37	NAS1149D0363J	..WASHER (REPLACES AN960JD10)	1		MU
38	DELETED			
39	206-031-106-015	..STIFFENER, LH	1	1	
40	206-031-106-017	..STIFFENER, RH	1	1	
41	206-031-106-019	..STIFFENER, LH	1	1	
42	206-031-106-021	..STIFFENER, RH	1		
43	206-031-106-103	..STIFFENER	1	1	
44	206-031-106-209	..STIFFENER	1	1	

(1) INDEX NUMBER	(2) PART NUMBER	(3) ITEM NAME	(4) UNIT PER ASSY	(5) A V A I L	(6) U O C
FIGURE: 53-15. Bulkhead installation, STA 73.04 (Cont'd)					
45	AN515DD8R6	.. SCREW	4		
46	206-031-106-129	.. COVER	2		
47	NAS1068A08	.. NUTPLATE (REPLACED BY MS21075L08)	4	0	
47	MS21075L08	.. NUTPLATE (REPLACES NAS1068A08) (REPLACED BY . . . MS21075L08N)	4		
47	MS21075L08N	.. NUTPLATE (REPLACES MS21075L08)	4	1	
48	206-031-106-127	.. FILLER	2	1	B
49	206-031-106-179	.. STIFFENER, LH (REPLACED BY 206-031-106-375)	1		KM
49	206-031-106-347	.. STIFFENER, LH (REPLACED BY 206-031-106-375)	1		KM
49	206-031-106-371	.. STIFFENER, LH (REPLACED BY 206-031-106-375)	1		VXY
49	206-031-106-375	.. STIFFENER, LH (REPLACES 206-031-106-179, -347 . . . AND -371)	1	0	
50	206-031-106-180	.. STIFFENER, RH (REPLACED BY 206-031-106-376)	1	0	B
50	206-031-106-348	.. STIFFENER, RH (REPLACED BY 206-031-106-376)	1		KM
50	206-031-106-372	.. STIFFENER, RH (REPLACED BY 206-031-106-376)	1	0	TX
50	206-031-106-376	.. STIFFENER, RH (REPLACES 206-031-106-180, -348 . . . AND -372)	1		Y2
51	206-031-106-201	.. STIFFENER, LH (REPLACED BY 206-031-106-377)	1		B
51	206-031-106-343	.. STIFFENER, LH (REPLACED BY 206-031-106-377)	1		KM
51	206-031-106-373	.. STIFFENER, LH (REPLACED BY 206-031-106-377)	1	0	VX
51	206-031-106-377	.. STIFFENER, LH (REPLACES 206-031-106-201, -343 . . . AND -373)	1		P
51	206-031-106-401	.. FRAME, LH	1		Y2
52	206-031-106-202	.. STIFFENER, RH (REPLACED BY 206-031-106-378)	1		B
52	206-031-106-344	.. STIFFENER, RH (REPLACED BY 206-031-106-378)	1		KM
52	206-031-106-374	.. STIFFENER, RH (REPLACED BY 206-031-106-378)	1	0	VX
52	206-031-106-378	.. STIFFENER, RH (REPLACES 206-031-106-202, -344 . . . AND -374)	1		P
52	206-031-106-402	.. FRAME, RH	1		Y2
53	206-031-106-223	.. SUPPORT, LH	1	1	R
54	206-031-106-224	.. SUPPORT, RH	1	1	R
55	206-031-106-225	.. SUPPORT, LH	1	1	L
55	206-031-106-379	.. DOUBLER, LH	1		U
56	206-031-106-226	.. SUPPORT, RH	1	1	L
56	206-031-106-380	.. DOUBLER, RH	1		U
57	206-031-106-203	.. STIFFENER, LH	1		H
57	206-031-106-345	.. FRAME, LH	1	1	KMVX
57	206-031-106-403	.. FRAME, LH	1		Y2
58	206-031-106-204	.. STIFFENER, RH	1		H
58	206-031-106-346	.. FRAME, RH	1	1	KMVX
58	206-031-106-404	.. FRAME, RH	1		Y2
59	206-031-106-409	.. BRACKET	1		Y2
60	206-031-106-410	.. BRACKET	1		Y2
61	206-031-106-395	.. STIFFENER	2	1	Y2
62	MS21059L3	.. NUTPLATE	8	1	Y2
63	206-031-106-429	.. BRACKET ASSY	2	1	Z2
64	MS21059L08	.. NUTPLATE	1	1	
65	206-031-106-407	.. PLATE, LH	1		Y2
66	206-031-106-408	.. PLATE, RH	1		Y2
67	206-031-106-097	.. WEB	2	6	

(1) INDEX NUMBER	(2) PART NUMBER	(3) ITEM NAME	(4) UNIT PER ASSY	(5) A V A I L	(6) U O C
FIGURE: 53-15. Bulkhead installation, STA 73.04 (Cont'd)					
67A	206-031-106-111	..WEB , LH	1		
67B	206-031-106-112	..WEB , RH	1		
68	206-031-106-113	..STIFFENER	2	1	
69	206-031-268-101	..CLIP	4	1	Y2
70	NAS697A08	..NUTPLATE (REPLACED BY MS21069L08)	4	6	Y2
70	MS21069L08	..NUTPLATE (REPLACES NAS697A08)	4	1	Y2
71	206-031-106-427	..RETAINER	4	1	Y2
72	206-031-106-421	..CLIP	4	1	Y2
73	206-031-106-107	..STIFFENER, LH	1	6	
74	206-031-106-108	..STIFFENER, RH	1	1	
75	206-031-106-057	..STIFFENER, LH	1		
76	206-031-106-059	..STIFFENER, RH	1		
77	206-031-106-187	..GUSSET	2	1	
78	206-031-106-125	..SUPPORT	1		A
78	206-031-106-217	..SUPPORT	1	6	HS
79	206-031-106-037	..STIFFENER	1		
80	206-031-106-039	..STIFFENER	1		
81	2R1396	..NUT	2		S
82	206-031-148-001	..STIFFENER	2	1	
83	206-031-106-213	..STIFFENER	1		HKMVX
83	206-031-106-425	..STIFFENER	1	6	2
83	206-031-106-397	..STIFFENER	1		Y
84	206-031-106-405	..CLIP	1		Y2
85	206-031-106-085	..PANEL	1		A
85	206-031-106-215	..PANEL	1	0	H
85	206-031-106-329	..PANEL	1		KMV
85	206-031-106-385	..PANEL	1	1	X
85	206-031-106-413	..PANEL	1		Y
85	206-031-106-419	..PANEL	1		Z2
86	206-032-155-001	..SUPPORT ASSY	4		P
86	206-032-155-007	..SUPPORT ASSY	4		Y2
87	MS20253P2-225	..PIN, HINGE	1		
88	NAS42DD4-16	..SPACER	1	6	P
89	206-031-106-043	..STIFFENER, LH	1		
90	206-031-106-044	..STIFFENER, RH	1		
91	206-031-106-411	..CLIP, LH	1		Y2
92	206-031-106-412	..CLIP, RH	1		Y2
93	NAS697A08	..NUTPLATE (REPLACED BY MS21069L08)	2	6	
93	MS21069L08	..NUTPLATE (REPLACES NAS697A08)	2	1	
94	206-031-106-197	..STIFFENER, LH	1	1	
95	206-031-106-199	..STIFFENER, RH	1	1	
96	NAS1068A08	..NUTPLATE (REPLACED BY MS21075L08)	2	0	
96	MS21075L08	..NUTPLATE (REPLACES NAS1068A08) (REPLACED BY MS21075L08N)	2		
96	MS21075L08N	..NUTPLATE (REPLACES MS21075L08)	2	1	
97	206-031-106-173	..ANGLE	1	1	T
98	206-031-106-123	..STIFFENER	1	1	
99	MS21042L3	..NUT	8	1	
100	AN960PD10L	..WASHER (REPLACED BY AN960JD10L)	16		

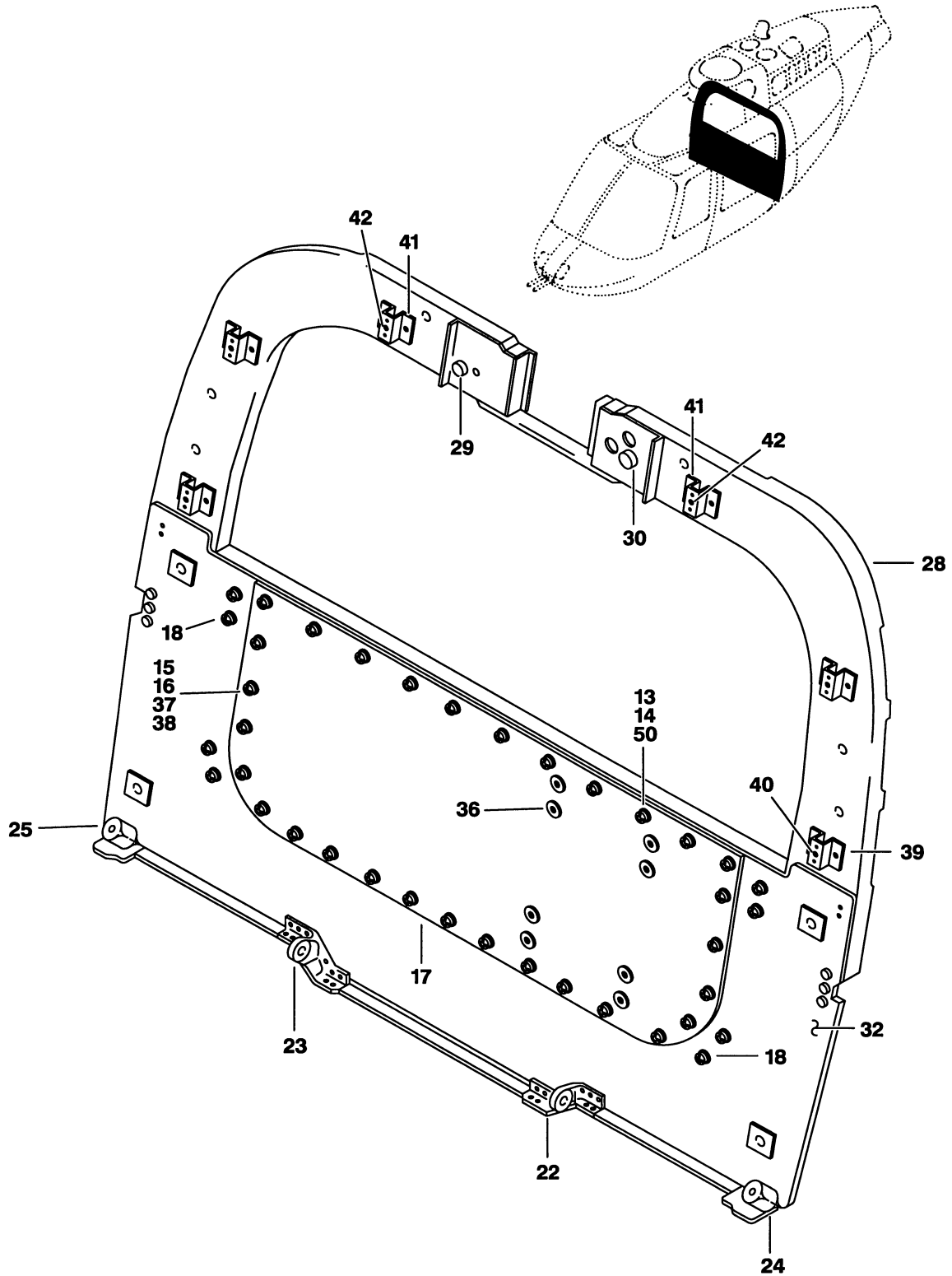
(1) INDEX NUMBER	(2) PART NUMBER	(3) ITEM NAME	(4) UNIT PER ASSY	(5) A V A I L	(6) U O C
		FIGURE: 53-15. Bulkhead installation, STA 73.04 (Cont'd)			
100	AN960JD10L	.. WASHER (REPLACES AN960PD10L) (REPLACED BY NAS1149D0332J)	16		
100	NAS1149D0332J	.. WASHER (REPLACES AN960JD10L)	16		
101	MS27039-1-12	.. SCREW	8	1	A
101	AN525-10R10	.. SCREW	8	1	CQ
102	206-070-208-001	.. LOUVER	2	0	A
102	206-070-262-001	.. LOUVER	2	1	CQ
103	20-042-1-14	.. RADIUS BLOCK	1	6	WX1
104	20-042-1-4	.. RADIUS BLOCK	2	6	WX1
105	206-031-106-191	.. STIFFENER	1	6	P
106	206-031-105-001	.. FITTING	1		P
		(ALTERNATE PART)			
106	206-031-158-001	.. FITTING	1		P
107	206-031-106-147	.. STIFFENER	1		P
108	206-031-106-149	.. STIFFENER	1	6	P
109	206-031-106-145	.. STIFFENER	1	1	
110	DELETED			
111	206-031-106-133	.. STIFFENER	1	6	BKMV
111	206-033-167-001	.. FITTING (REPLACED BY 206-033-167-103)	1		XY2
111	206-033-167-103	.. FITTING (REPLACES 206-033-167-001)	1	1	
		(ALTERNATE PART)			
111	206-033-167-105	.. FITTING	1	0	
112	MS21059L3K	.. NUTPLATE	1	1	Z2
112A	30-015-5	.. COLLAR	4	1	XY2
113	100-048-5-10	.. PIN	4	1	XY2
114	20-007B-20-32-18	.. BUSHING	1		
115	206-031-106-141	.. BLOCK	1		G
115	206-031-106-279	.. BLOCK	1	1	JT
116	206-031-106-139	.. STIFFENER	1	0	ACDE
116	206-031-106-277	.. STIFFENER	1	1	R
117	206-031-106-137	.. STIFFENER	1	6	
118	206-031-106-033	.. CLIP	1		
119	206-031-106-035	.. STIFFENER	1		
120	206-031-106-029	.. STIFFENER, LH	1	6	
121	206-031-106-031	.. STIFFENER, RH	1	1	
122	206-031-106-065	.. WEB, LH	1	1	
123	206-031-106-067	.. WEB, RH	1	1	
124	206-031-106-047	.. STIFFENER, LH	1		
125	206-031-106-051	.. STIFFENER, LH	1	0	
126	206-031-106-163	.. STIFFENER, LH	1	1	
127	206-031-106-049	.. STIFFENER, RH	1	0	
128	206-031-106-053	.. STIFFENER, RH	1		
129	206-031-106-117	.. STIFFENER, RH	1		
130	206-031-106-041	.. STIFFENER	1		
131	206-031-106-042	.. STIFFENER, RH	1		
132	206-031-106-027	.. STIFFENER, LH	1		
133	206-031-106-161	.. STIFFENER, RH	1	1	
134	206-031-119-001	.. PANEL ASSY, LH	1		B
134	206-031-119-051	.. PANEL ASSY, LH (REPLACED BY 206-031-119-101)	1		S
134	206-031-119-101	.. PANEL ASSY, LH (REPLACES 206-031-119-051)	1		S3

(1) INDEX NUMBER	(2) PART NUMBER	(3) ITEM NAME	(4) UNIT PER ASSY	(5) A V A I L	(6) U O C																																																																																				
FIGURE: 53-15. Bulkhead installation, STA 73.04 (Cont'd)																																																																																									
135	206-031-119-003	.. PANEL ASSY, RH	1																																																																																						
136	206-031-106-061	.. WEB, LH	1		B																																																																																				
136	206-031-106-307	.. WEB, LH	1		T																																																																																				
137	206-031-106-063	.. WEB, RH	1		B																																																																																				
137	206-031-106-349	.. WEB, RH	1		T																																																																																				
138	206-031-106-101	.. WEB	1	0																																																																																					
139	206-031-106-045	.. DOUBLER, LH	1																																																																																						
139A	206-031-106-046	.. DOUBLER, RH	1	0																																																																																					
140	MS35489-14	.GROMMET	1	1																																																																																					
141	NAS680A06	.NUTPLATE (REPLACED BY MS21047L06)	6																																																																																						
141	MS21047L06	.NUTPLATE (REPLACES NAS680A06)	6																																																																																						
USABLE ON CODES																																																																																									
<table border="0" style="width: 100%;"> <thead> <tr> <th style="text-align: left;">CODE</th> <th style="text-align: left;">MODEL</th> <th style="text-align: left;">SERIAL NUMBER</th> </tr> </thead> <tbody> <tr><td>1</td><td>206BIII</td><td>3567-4349</td></tr> <tr><td>2</td><td>206BIII</td><td>3766-SUB</td></tr> <tr><td>3</td><td>206BIII</td><td>4350-SUB</td></tr> <tr><td>A</td><td>206A</td><td>4-103</td></tr> <tr><td>B</td><td>206A</td><td>4-583</td></tr> <tr><td>C</td><td>206A</td><td>104-153</td></tr> <tr><td>D</td><td>206A</td><td>154-253</td></tr> <tr><td>E</td><td>206A</td><td>254-413</td></tr> <tr><td>F</td><td>206A</td><td>414-497</td></tr> <tr><td>G</td><td>206A</td><td>4-497</td></tr> <tr><td>H</td><td>206A</td><td>104-583</td></tr> <tr><td>J</td><td>206A</td><td>498-583</td></tr> <tr><td>K</td><td>206A/B</td><td>584-913</td></tr> <tr><td>L</td><td>206A/B</td><td>414-1750</td></tr> <tr><td>M</td><td>206B</td><td>914-1750</td></tr> <tr><td>N</td><td>206A/B/BIII</td><td>4-2513</td></tr> <tr><td>P</td><td>206A/B/BIII</td><td>4-3121</td></tr> <tr><td>Q</td><td>206A/B/BIII</td><td>154-SUB</td></tr> <tr><td>R</td><td>206A/B/BIII</td><td>414-SUB</td></tr> <tr><td>S</td><td>206A/B/BIII</td><td>584-4349</td></tr> <tr><td>T</td><td>206A/B/BIII</td><td>584-SUB</td></tr> <tr><td>U</td><td>206B/BIII</td><td>1751-SUB</td></tr> <tr><td>V</td><td>206B/BIII</td><td>1751-2278</td></tr> <tr><td>W</td><td>206BIII</td><td>2212-2278</td></tr> <tr><td>X</td><td>206BIII</td><td>2279-3121</td></tr> <tr><td>Y</td><td>206BIII</td><td>3122-3765</td></tr> <tr><td>Z</td><td>206BIII</td><td>3567-3765</td></tr> </tbody> </table>						CODE	MODEL	SERIAL NUMBER	1	206BIII	3567-4349	2	206BIII	3766-SUB	3	206BIII	4350-SUB	A	206A	4-103	B	206A	4-583	C	206A	104-153	D	206A	154-253	E	206A	254-413	F	206A	414-497	G	206A	4-497	H	206A	104-583	J	206A	498-583	K	206A/B	584-913	L	206A/B	414-1750	M	206B	914-1750	N	206A/B/BIII	4-2513	P	206A/B/BIII	4-3121	Q	206A/B/BIII	154-SUB	R	206A/B/BIII	414-SUB	S	206A/B/BIII	584-4349	T	206A/B/BIII	584-SUB	U	206B/BIII	1751-SUB	V	206B/BIII	1751-2278	W	206BIII	2212-2278	X	206BIII	2279-3121	Y	206BIII	3122-3765	Z	206BIII	3567-3765
CODE	MODEL	SERIAL NUMBER																																																																																							
1	206BIII	3567-4349																																																																																							
2	206BIII	3766-SUB																																																																																							
3	206BIII	4350-SUB																																																																																							
A	206A	4-103																																																																																							
B	206A	4-583																																																																																							
C	206A	104-153																																																																																							
D	206A	154-253																																																																																							
E	206A	254-413																																																																																							
F	206A	414-497																																																																																							
G	206A	4-497																																																																																							
H	206A	104-583																																																																																							
J	206A	498-583																																																																																							
K	206A/B	584-913																																																																																							
L	206A/B	414-1750																																																																																							
M	206B	914-1750																																																																																							
N	206A/B/BIII	4-2513																																																																																							
P	206A/B/BIII	4-3121																																																																																							
Q	206A/B/BIII	154-SUB																																																																																							
R	206A/B/BIII	414-SUB																																																																																							
S	206A/B/BIII	584-4349																																																																																							
T	206A/B/BIII	584-SUB																																																																																							
U	206B/BIII	1751-SUB																																																																																							
V	206B/BIII	1751-2278																																																																																							
W	206BIII	2212-2278																																																																																							
X	206BIII	2279-3121																																																																																							
Y	206BIII	3122-3765																																																																																							
Z	206BIII	3567-3765																																																																																							
<p>1) UNLESS A USABLE ON PART NUMBER IS LISTED IN THE ITEM NAME COLUMN; NO CODE INDICATES THE PART APPLIES TO ALL SERIAL NUMBERS.</p> <p>2) IF THE SERIAL NUMBER IS BLANK THE PART APPLIES TO ALL SERIAL NUMBERS FOR THAT MODEL.</p>																																																																																									



206ABS-53-1016-1
C0000

Figure 53-16. Panel and bulkhead installations, passenger seat (Sheet 1 of 2)



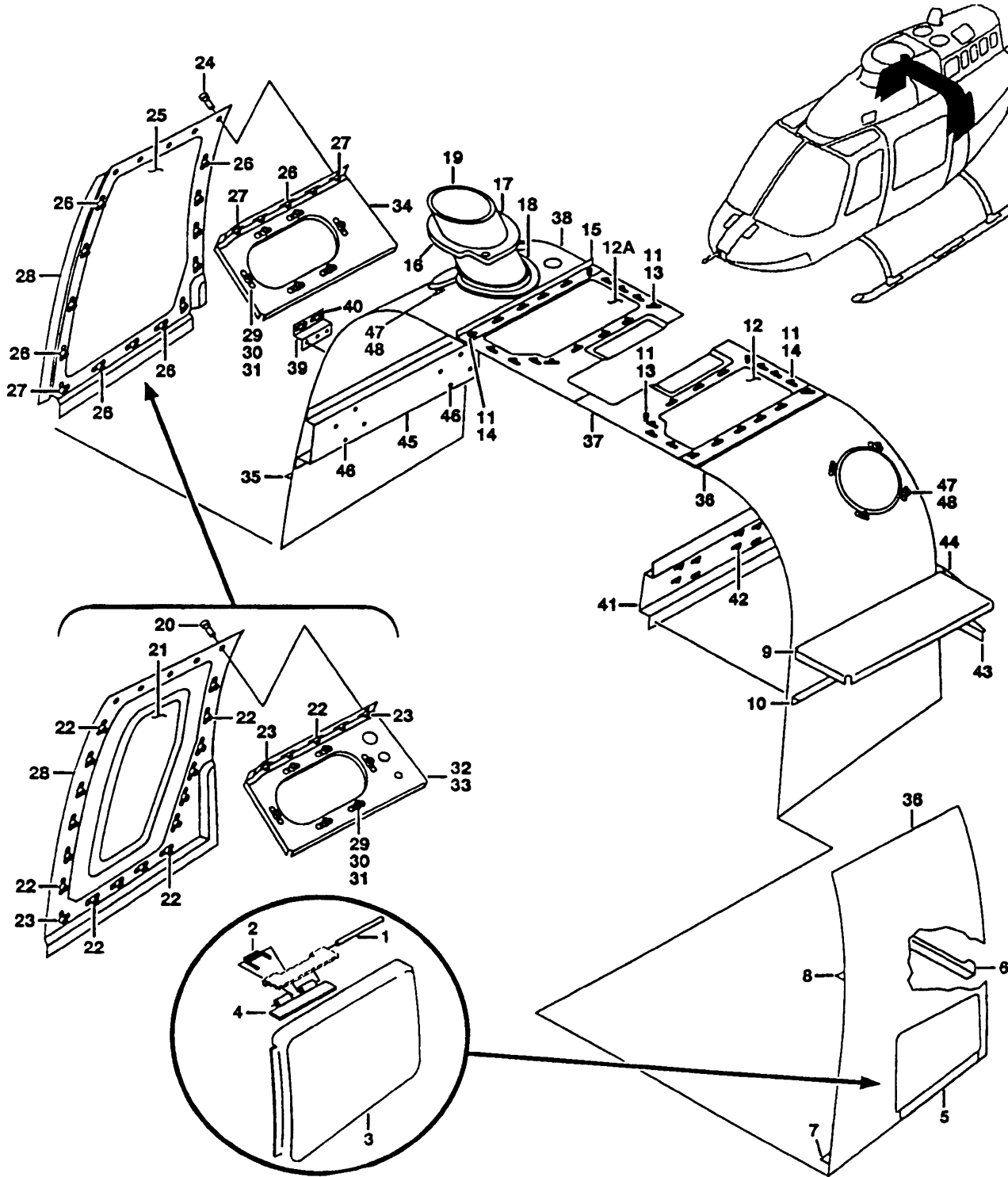
206ABS-53-1016-2
C0000

Figure 53-16. Panel and bulkhead installations, passenger seat (Sheet 2)

(1) INDEX NUMBER	(2) PART NUMBER	(3) ITEM NAME	(4) UNIT PER ASSY	(5) A V A I L	(6) U O C
		FIGURE: 53-16. Panel and bulkhead installations, passenger seat			
	206-031-101-001	PANEL INSTL, PASSENGER SEAT	1		
	206-031-101-007	PANEL INSTL, PASSENGER SEAT	1		
	206-031-195-101	PANEL INSTL, PASSENGER SEAT	1		
	206-031-195-105	PANEL INSTL, PASSENGER SEAT	1		
1	MS27039DD1-06	.SCREW	17	1	A
1	MS24694-S49	.SCREW	17		F
2	MS27039DD1-06	.SCREW	14	1	A
2	MS27039-1-06	.SCREW	14	1	F
3	206-031-101-045	.FRAME, LH	1	1	
4	206-031-101-046	.FRAME, RH	1	1	
5	206-031-101-003	.PANEL ASSY	1		A
5	206-031-101-009	.PANEL ASSY	1		F
6	206-031-101-005	.PANEL ASSY, LH (REPLACED BY 206-031-101-011)	1		A
6	206-031-101-011	.PANEL ASSY, LH (REPLACES 206-031-101-005)	1	1	A
7	206-031-101-006	.PANEL ASSY, RH (REPLACED BY 206-031-101-012)	1		A
7	206-031-101-012	.PANEL ASSY, RH (REPLACES 206-031-101-006)	1	1	A
8	206-031-195-103	.PANEL ASSY (REPLACED BY 206-031-195-107)	1		J
8	206-031-195-107	.PANEL ASSY (REPLACES 206-031-195-103)	1		L
9	80-004-2-8	..INSERT (USBL ON 206-031-101-009,-011 AND -012)	2	1	
9A	80-004-2D8	..INSERT (USBL ON 206-031-195-103)	6	1	
9A	80-004-2F8	..INSERT (USBL ON 206-031-195-107)	6	1	
10	NAS1474A3	.NUTPLATE	16	1	
10A	206-031-631-101	.STIFFENER ASSY (REPLACED BY 206-031-631-105)	1		K
10A	206-031-631-105	.STIFFENER ASSY (REPLACES 206-031-631-101)	1		L
10B	206-031-631-103	.STIFFENER ASSY	2		L
	206-031-107-001	BULKHEAD INSTL, PASSENGER SEAT	1		
	206-031-107-009	BULKHEAD INSTL, PASSENGER SEAT	1		
	206-031-107-083	BULKHEAD INSTL, PASSENGER SEAT	1		
	206-031-107-109	BULKHEAD INSTL, PASSENGER SEAT	1		
	206-031-107-115	BULKHEAD INSTL, PASSENGER SEAT	1		
	206-031-107-141	BULKHEAD INSTL, PASSENGER SEAT	1		
	206-031-107-195	BULKHEAD INSTL, PASSENGER SEAT	1		
11	MS27039-1-06	.SCREW	17	1	E
12	AN960PD10	.WASHER (REPLACED BY AN960JD10)	17		E
12	AN960JD10	.WASHER (REPLACES AN960PD10) (REPLACED BY NAS1149D0363J)	17		E
12	NAS1149D0363J	.WASHER (REPLACES AN960JD10)	17		E
13	NAS623-3-8	.SCREW	11	1	J L
14	AN960PD10L	.WASHER (REPLACED BY AN960JD10L)	11		J L
14	AN960JD10L	.WASHER (REPLACES AN960PD10L) (REPLACED BY NAS1149D0332J)	11		J L
14	NAS1149D0332J	.WASHER (REPLACES AN960JD10L)	11		J L
15	MS27039-1-05	.SCREW	19	1	J L
16	AN960PD10L	.WASHER (REPLACED BY AN960JD10L)	19		J L
16	AN960JD10L	.WASHER (REPLACES AN960PD10L) (REPLACED BY NAS1149D0332J)	19		J L
16	NAS1149D0332J	.WASHER (REPLACES AN960JD10L)	19		J L
17	206-031-107-005	.DOOR ASSY	1	1	E
17	206-031-107-147	.DOOR ASSY	1	6	J L

(1) INDEX NUMBER	(2) PART NUMBER	(3) ITEM NAME	(4) UNIT PER ASSY	(5) A V A I L	(6) U O C
FIGURE: 53-16. Panel and bulkhead installations, passenger seat (Cont'd)					
18	80-004-1-6	.. INSERT	16	1	J L
19	NAS179-6	. COLLAR	20		
20	NAS1054-6-3	. PIN	4	1	
21	NAS1054-6-4	. PIN	16	1	
21A	MS20470DD6	. RIVET	8		
22	206-031-104-003	. FITTING, LH	1	1	
23	206-031-104-004	. FITTING, RH	1	1	
24	206-031-104-001	. FITTING, LH	1		
25	206-031-104-002	. FITTING, RH	1		
26	206-031-107-061	. CHANNEL	1		
	206-031-107-003	. BULKHEAD ASSY	1		B
	206-031-107-091	. BULKHEAD ASSY	1	0	C
	206-031-107-111	. BULKHEAD ASSY	1		D
	206-031-107-117	. BULKHEAD ASSY	1		H
	206-031-107-191	. BULKHEAD ASSY	1		J
	206-031-107-197	. BULKHEAD ASSY	1		L
27	MS27039-0807	.. SCREW (USBL ON 206-031-107-003, -091, -111 AND .. -117)	4	1	
28	206-031-106-129	.. COVER (USBL ON 206-031-107-003, -091, -111 AND .. -117)	2		
29	MS35489-11	.. GROMMET	1	1	E
29	MS35489-14	.. GROMMET	1	1	J L
30	MS35489-17	.. GROMMET	1	1	
31	206-031-107-007	.. PANEL ASSY	1		B
31	206-031-107-081	.. PANEL ASSY	1		G
32	206-031-107-145	.. PANEL ASSY	1		J
33	P101D12-0	... INSERT	6	0	
34	S101F12-06	... INSERT (REPLACED BY 80-011-S5F06-0)	6	0	E
34	80-011-S5F06-0	... SLEEVE (REPLACES S101F12-06)	6	1	E
35	80-004-2-6	... INSERT	5	1	G
36	80-004-1-6	... INSERT	8	1	J L
37	140-009E26T44	... WASHER	19	6	J
38	80-007-06-3	... INSERT	19	1	J
	206-031-151-001	.. BRACKET ASSY	4	1	
39	206-031-151-003	... BRACKET	1	6	
40	NAS686A3K	... NUTPLATE (REPLACED BY MS21059L3K)	1		
40	MS21059L3K	... NUTPLATE (REPLACES NAS686A3K)	1	1	
	206-031-151-001	.. BRACKET ASSY	2	1	J L
41	206-031-151-003	... BRACKET	1	6	
42	NAS686A3K	... NUTPLATE (REPLACED BY MS21059L3K)	1		
42	MS21059L3K	... NUTPLATE (REPLACES NAS686A3K)	1	1	
43	205-030-183-001	.. HANGER (REPLACED BY 70-022-1)	8	6	E
43	70-022-1	.. HANGER (REPLACES 205-030-183-001)	8	1	E
44	140-001-11	.. WASHER	16	1	E
45	206-031-107-055	.. CLIP, LH	1		E
45	206-031-107-175	.. CLIP, LH	1	6	J L
46	206-031-107-056	.. CLIP, RH	1		E
46	206-031-107-176	.. CLIP, RH	1	6	J L
47	206-031-107-067	.. CLIP, LH	1		

(1) INDEX NUMBER	(2) PART NUMBER	(3) ITEM NAME	(4) UNIT PER ASSY	(5) A V A I L	(6) U O C																																				
FIGURE: 53-16. Panel and bulkhead installations, passenger seat (Cont'd)																																									
47	206-031-107-068	..CLIP, RH	1																																						
48	NAS697A08	..NUTPLATE (REPLACED BY MS21069L08)	4	6	E																																				
48	MS21069L08	..NUTPLATE (REPLACES NAS697A08)	4	1	E																																				
49	NAS1474A3	..NUTPLATE	7	1	E																																				
50	NAS1474A3	..NUTPLATE	11	1																																					
51	206-031-107-029	..ANGLE	1																																						
52	206-031-107-030	..ANGLE	1																																						
<p>USABLE ON CODES</p> <table border="0"> <thead> <tr> <th>CODE</th> <th>MODEL</th> <th>SERIAL NUMBER</th> </tr> </thead> <tbody> <tr><td>A</td><td>206A</td><td>4-103</td></tr> <tr><td>B</td><td>206A</td><td>4-153</td></tr> <tr><td>C</td><td>206A</td><td>154-583</td></tr> <tr><td>D</td><td>206A/B</td><td>584-1750</td></tr> <tr><td>E</td><td>206A/B/BIII</td><td>4-3566</td></tr> <tr><td>F</td><td>206A/B/BIII</td><td>104-3566</td></tr> <tr><td>G</td><td>206B/BIII</td><td>154-3566</td></tr> <tr><td>H</td><td>206B/BIII</td><td>1751-3566</td></tr> <tr><td>J</td><td>206BIII</td><td>3567-4453</td></tr> <tr><td>K</td><td>206BIII</td><td>4454-4505</td></tr> <tr><td>L</td><td>206BIII</td><td>4454-SUB</td></tr> </tbody> </table>						CODE	MODEL	SERIAL NUMBER	A	206A	4-103	B	206A	4-153	C	206A	154-583	D	206A/B	584-1750	E	206A/B/BIII	4-3566	F	206A/B/BIII	104-3566	G	206B/BIII	154-3566	H	206B/BIII	1751-3566	J	206BIII	3567-4453	K	206BIII	4454-4505	L	206BIII	4454-SUB
CODE	MODEL	SERIAL NUMBER																																							
A	206A	4-103																																							
B	206A	4-153																																							
C	206A	154-583																																							
D	206A/B	584-1750																																							
E	206A/B/BIII	4-3566																																							
F	206A/B/BIII	104-3566																																							
G	206B/BIII	154-3566																																							
H	206B/BIII	1751-3566																																							
J	206BIII	3567-4453																																							
K	206BIII	4454-4505																																							
L	206BIII	4454-SUB																																							
<p>1) UNLESS A USABLE ON PART NUMBER IS LISTED IN THE ITEM NAME COLUMN; NO CODE INDICATES THE PART APPLIES TO ALL SERIAL NUMBERS.</p> <p>2) IF THE SERIAL NUMBER IS BLANK THE PART APPLIES TO ALL SERIAL NUMBERS FOR THAT MODEL.</p>																																									



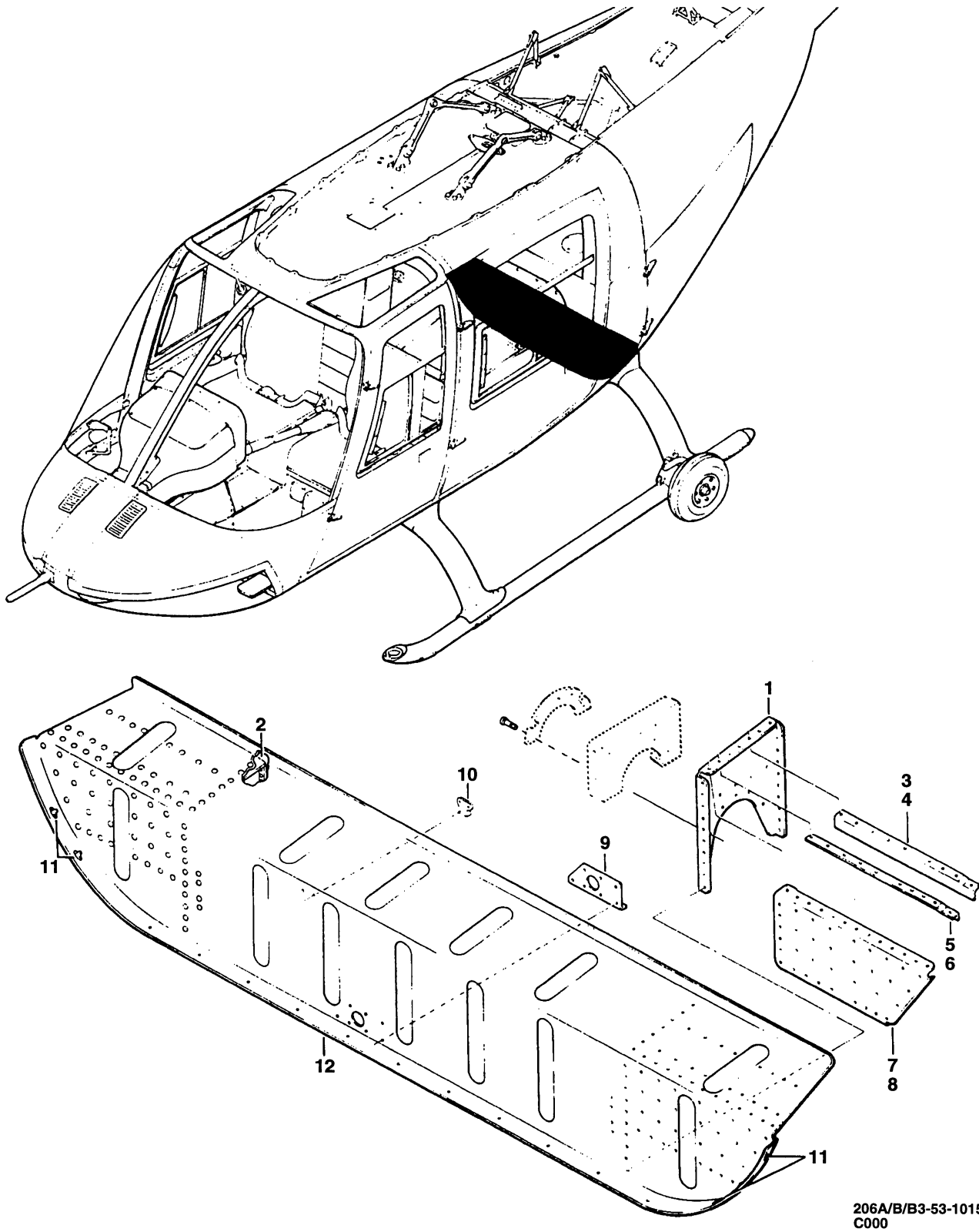
206A/B/B3-53-1014
C0000

Figure 53-17. Closure installation, AFT cabin

(1) INDEX NUMBER	(2) PART NUMBER	(3) ITEM NAME	(4) UNIT PER ASSY	(5) A V A I L	(6) U O C
		FIGURE: 53-17. Closure installation, AFT cabin			
	206-031-117-001	CLOSURE INSTL, AFT CABIN	1		
	206-031-117-167	CLOSURE INSTL, AFT CABIN	1		
	206-031-117-285	CLOSURE INSTL, AFT CABIN	1		
	206-031-117-333	CLOSURE INSTL, AFT CABIN	1		
	206-031-117-341	CLOSURE INSTL, AFT CABIN	1		
	206-031-117-409	CLOSURE INSTL, AFT CABIN	1		
1	MS20253P2-225	.PIN	1		
2	206-031-140-001	.SPRING	1	1	
3	206-031-117-007	.DOOR ASSY	1		
4	206-031-107-069	.HINGE HALF (MAKE FROM MS20257HP2)	1		
4	MS20257HP2	.HINGE HALF	1		
5	206-031-117-097	.PAD	1	6	
6	206-031-117-023	.ANGLE	1	0	C
6	206-031-117-175	.ANGLE	1	0	M
7	206-031-117-027	.SUPPORT	1	6	
8	206-031-117-073	.ANGLE	1	6	B
8	206-031-117-305	.ANGLE	1	6	G
9	206-031-117-031	.INTERCOSTAL	1	0	A
9	206-031-117-183	.INTERCOSTAL	1	1	F
10	206-031-117-029	.ANGLE	1		A
10	206-031-117-181	.ANGLE	1		F
11	AN525-10R6	.SCREW	33	1	
12	206-031-117-079	.COVER, LH	1	1	
12A	206-031-117-080	.COVER, RH	1	1	
13	NAS697A3	.NUTPLATE (REPLACED BY MS21069L3)	31		
13	MS21069L3	.NUTPLATE (REPLACES NAS697A3)	31	1	
14	NAS698A3	.NUTPLATE (REPLACED BY MS21073L3)	2	0	
14	MS21073L3	.NUTPLATE (REPLACES NAS698A3)	2	1	
15	206-031-117-059	.ANGLE	1		
	206-040-504-001	.DUCT ASSY (REPLACED BY 206-040-504-011)	1	0	
	206-040-504-011	.DUCT ASSY (REPLACES 206-040-504-001)	1	0	
16	206-040-504-007	..DOUBLER	1		
17	206-040-504-005	..FLANGE	1		
18	206-040-504-009	..FLANGE	1	1	
19	206-040-504-003	..DUCT (USBL ON 206-040-504-001)	1		
19	206-040-504-013	..DUCT (USBL ON 206-040-504-011)	1	1	
20	AN507-1032R7	.SCREW (REPLACED BY MS24693S271)	22	0	D
20	MS24693S271	.SCREW (REPLACES AN507-1032R7) (REPLACED BY MS24693-S271)	22		D
20	MS24693-S271	.SCREW (REPLACES MS24693S271)	22	1	D
21	206-031-117-005	.DOOR ASSY	1	0	B
21	206-031-117-275	.DOOR ASSY	1		G
22	NAS681A3	.NUTPLATE (REPLACED BY MS21049L3)	19		D
22	MS21049L3	.NUTPLATE (REPLACES NAS681A3)	19	1	D
23	NAS685A3	.NUTPLATE (REPLACED BY MS21057L3)	3		D
23	MS21057L3	.NUTPLATE (REPLACES NAS685A3)	3	1	D
24	AN525-10R8	.SCREW (REPLACED BY 120-220-3P8)	18	1	N
24	120-220-3P8	.SCREW (REPLACES AN525-10R8)	18		N
25	206-031-117-357	.DOOR	1	6	N
26	MS21059L3K	.NUTPLATE	15	1	N

(1) INDEX NUMBER	(2) PART NUMBER	(3) ITEM NAME	(4) UNIT PER ASSY	(5) A V A I L	(6) U O C
FIGURE: 53-17. Closure installation, AFT cabin (Cont'd)					
27	MS21061L3	.NUTPLATE	3	1	N
28	206-031-117-033	.PAN	1		B
28	206-031-117-281	.PAN	1	1	H
28	206-031-117-359	.PAN	1		N
29	MS27039-1-05	.SCREW	6	1	
30	AN960PD10L	.WASHER (REPLACED BY AN960JD10L)	6		
30	AN960JD10L	.WASHER (REPLACES AN960PD10L) (REPLACED BY NAS1149D0332J)	6		
30	NAS1149D0332J	.WASHER (REPLACES AN960JD10L)	6		
31	MS21069L3K	.NUTPLATE	6	1	
32	206-031-117-091	.INTERCOSTAL	1	1	D
33	206-031-117-353	.INTERCOSTAL	1		L
34	206-031-117-407	.INTERCOSTAL	1		P
35	206-031-117-093	.STIFFENER	1	1	D
35	206-031-117-349	.STIFFENER	1	6	N
36	206-031-117-025	.SKIN, OUTER	1		B
36	206-031-117-271	.SKIN, OUTER	1	0	G
36	206-031-117-037	.SKIN, INNER	1		A
36	206-031-117-187	.SKIN, INNER	1		F
37	206-031-117-085	.PLATE, LH	1		
37	206-031-117-086	.PLATE, RH	1		
38	206-031-117-039	.SKIN, INNER	1		A
38	206-031-117-177	.SKIN, INNER	1		E
38	206-031-117-351	.SKIN, INNER	1	6	N
39	206-031-117-101	.SUPPORT ASSY	1	0	D
40	NAS697A3	..NUTPLATE (REPLACED BY MS21069L3)	2		
40	MS21069L3	..NUTPLATE (REPLACES NAS697A3)	2	1	
41	206-031-117-325	.SUPPORT ASSY	1		N
42	MS21059L3	..NUTPLATE	8	1	
43	206-031-117-233	.STIFFENER	1		Q
44	206-031-117-331	.STIFFENER	1	0	K
45	206-031-117-335	.SUPPORT ASSY	1		J
45	206-031-117-343	.SUPPORT ASSY	1		N
46	MS21059L3	..NUTPLATE	8	1	
47	AN520-10R6	.SCREW (REPLACED BY MS35207-261)	8		
47	MS35207-261	.SCREW (REPLACES AN520-10R6)	8	1	
48	NAS697A3K	.NUTPLATE (REPLACED BY MS21069L3K)	8		
48	MS21069L3K	.NUTPLATE (REPLACES NAS697A3K)	8	1	

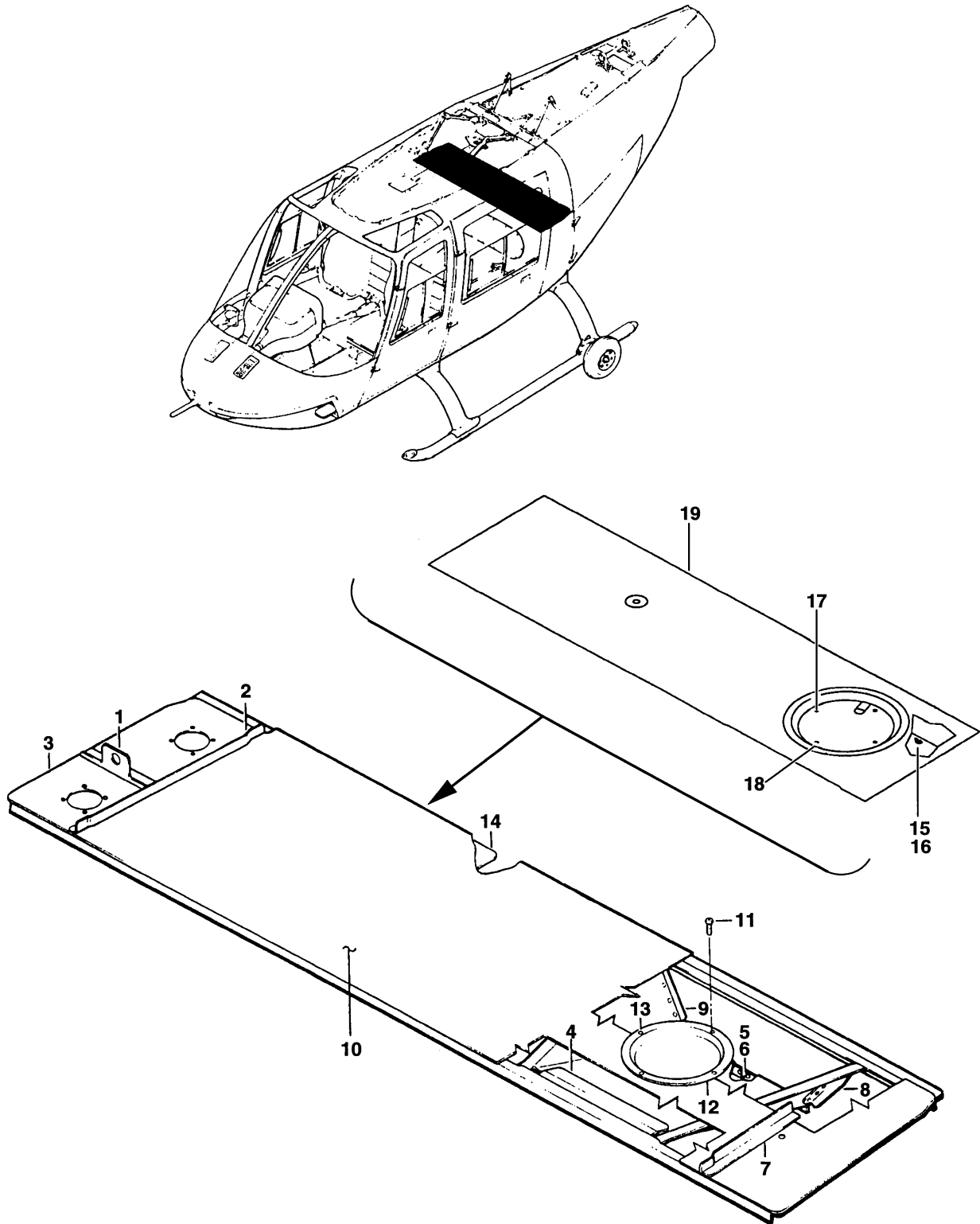
(1) INDEX NUMBER	(2) PART NUMBER	(3) ITEM NAME	(4) UNIT PER ASSY	(5) A V A I L	(6) U O C																																																
		<p>FIGURE: 53-17. Closure installation, AFT cabin (Cont'd)</p> <p style="text-align: center;">USABLE ON CODES</p> <table border="0" style="width: 100%;"> <thead> <tr> <th style="text-align: left;">CODE</th> <th style="text-align: left;">MODEL</th> <th style="text-align: left;">SERIAL NUMBER</th> </tr> </thead> <tbody> <tr><td>A</td><td>206A</td><td>4-583</td></tr> <tr><td>B</td><td>206A/B</td><td>4-1750</td></tr> <tr><td>C</td><td>206A/B/BIII</td><td>4-3121</td></tr> <tr><td>D</td><td>206A/B/BIII</td><td>4-3566</td></tr> <tr><td>E</td><td>206A/B/BIII</td><td>584-3566</td></tr> <tr><td>F</td><td>206A/B/BIII</td><td>584-SUB</td></tr> <tr><td>G</td><td>206B/BIII</td><td>1751-SUB</td></tr> <tr><td>H</td><td>206B/BIII</td><td>1751-3566</td></tr> <tr><td>J</td><td>206BIII</td><td>3122-3566</td></tr> <tr><td>K</td><td>206BIII</td><td>3122-4310</td></tr> <tr><td>L</td><td>206BIII</td><td>3567-4111</td></tr> <tr><td>M</td><td>206BIII</td><td>3122-SUB</td></tr> <tr><td>N</td><td>206BIII</td><td>3567-SUB</td></tr> <tr><td>P</td><td>206BIII</td><td>4112-SUB</td></tr> <tr><td>Q</td><td>206BIII</td><td>4311-SUB</td></tr> </tbody> </table> <p>1) UNLESS A USABLE ON PART NUMBER IS LISTED IN THE ITEM NAME COLUMN; NO CODE INDICATES THE PART APPLIES TO ALL SERIAL NUMBERS .</p> <p>2) IF THE SERIAL NUMBER IS BLANK THE PART APPLIES TO ALL SERIAL NUMBERS FOR THAT MODEL .</p>	CODE	MODEL	SERIAL NUMBER	A	206A	4-583	B	206A/B	4-1750	C	206A/B/BIII	4-3121	D	206A/B/BIII	4-3566	E	206A/B/BIII	584-3566	F	206A/B/BIII	584-SUB	G	206B/BIII	1751-SUB	H	206B/BIII	1751-3566	J	206BIII	3122-3566	K	206BIII	3122-4310	L	206BIII	3567-4111	M	206BIII	3122-SUB	N	206BIII	3567-SUB	P	206BIII	4112-SUB	Q	206BIII	4311-SUB			
CODE	MODEL	SERIAL NUMBER																																																			
A	206A	4-583																																																			
B	206A/B	4-1750																																																			
C	206A/B/BIII	4-3121																																																			
D	206A/B/BIII	4-3566																																																			
E	206A/B/BIII	584-3566																																																			
F	206A/B/BIII	584-SUB																																																			
G	206B/BIII	1751-SUB																																																			
H	206B/BIII	1751-3566																																																			
J	206BIII	3122-3566																																																			
K	206BIII	3122-4310																																																			
L	206BIII	3567-4111																																																			
M	206BIII	3122-SUB																																																			
N	206BIII	3567-SUB																																																			
P	206BIII	4112-SUB																																																			
Q	206BIII	4311-SUB																																																			



206A/B/B3-53-1015
C000

Figure 53-18. Support installation, AFT cross tube

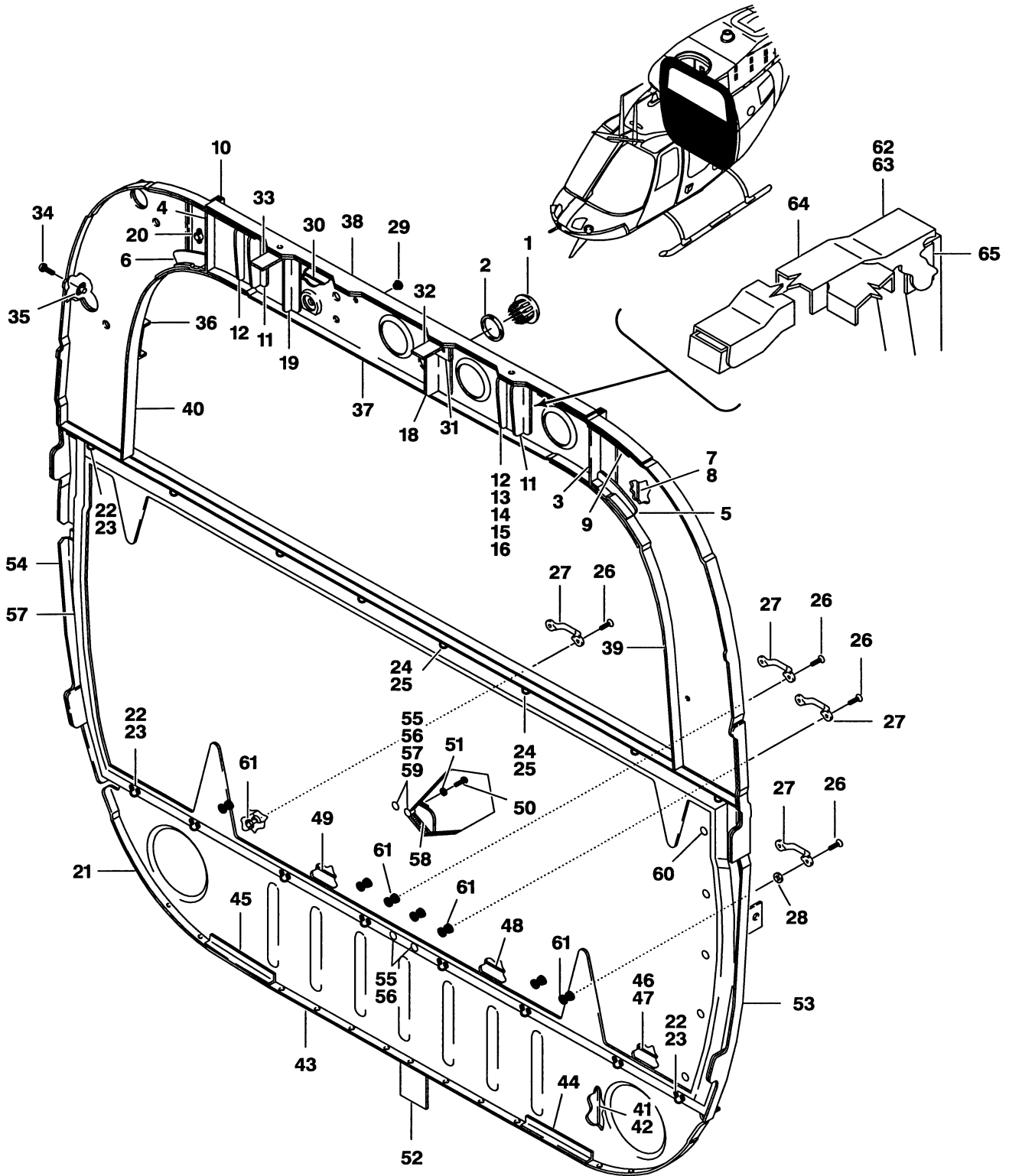
(1) INDEX NUMBER	(2) PART NUMBER	(3) ITEM NAME	(4) UNIT PER ASSY	(5) A V A I L	(6) U O C
		FIGURE: 53-18. Support installation, AFT cross tube			
	206-031-301-019	SUPPORT INSTL, AFT CROSS TUBE	1		
	206-031-301-029	SUPPORT INSTL, AFT CROSS TUBE	1		
	206-031-301-101	SUPPORT INSTL, AFT CROSS TUBE	1		
	206-031-301-111	SUPPORT INSTL, AFT CROSS TUBE	1		
1	206-031-301-025	.SUPPORT ASSY, LH (REPLACED BY 206-031-301-129) . .	1		B
1	206-031-301-129	.SUPPORT ASSY, LH (REPLACES 206-031-301-025)	1		
2	206-031-301-026	.SUPPORT ASSY, RH (REPLACED BY 206-031-301-130) . .	1		B
2	206-031-301-130	.SUPPORT ASSY, RH (REPLACES 206-031-301-026)	1		
3	206-031-301-013	.STIFFENER, LH	1	0	A
4	206-031-301-014	.STIFFENER, RH	1	0	A
5	206-031-301-015	.STIFFENER, LH	1	0	A
6	206-031-301-016	.STIFFENER, RH	1	0	A
	206-031-301-021	.SUPPORT ASSY (REPLACED BY 206-031-301-119)	1		A
	206-031-301-119	.SUPPORT ASSY (REPLACES 206-031-301-021)	1		
7	206-031-301-027	..DOUBLER, LH	1	0	A
8	206-031-301-028	..DOUBLER, RH	1	0	A
9	206-031-301-017	..STIFFENER	1		A
10	90-002-1	..NUT	1	1	A
11	NAS1474A3	..NUTPLATE	4	1	A
12	206-031-301-023	..SUPPORT (REPLACED BY 206-031-301-121)	1		A
12	206-031-301-121	..SUPPORT (REPLACES 206-031-301-023)	1		
		USABLE ON CODES			
		CODE MODEL SERIAL NUMBER			
		A 206A/B/BIII 4-4359			
		B 206A/B/BIII 4-4462			
		1) UNLESS A USABLE ON PART NUMBER IS LISTED IN THE ITEM NAME COLUMN; NO CODE INDICATES THE PART APPLIES TO ALL SERIAL NUMBERS.			
		2) IF THE SERIAL NUMBER IS BLANK THE PART APPLIES TO ALL SERIAL NUMBERS FOR THAT MODEL.			



206A/B/B3-53-1015A
C0000

Figure 53-19. Cover installation, fuel cell

(1) INDEX NUMBER	(2) PART NUMBER	(3) ITEM NAME	(4) UNIT PER ASSY	(5) A V A I L	(6) U O C
		FIGURE: 53-19. Cover installation, fuel cell			
	206-031-125-001	COVER INSTL, FUEL CELL	1		
	206-031-125-041	COVER INSTL, FUEL CELL	1		
	206-031-125-051	COVER INSTL, FUEL CELL	1		
1	206-031-126-001	.SUPPORT	1	1	
2	206-031-125-021	.ANGLE	1		
3	206-031-125-017	.PLATE	1	6	
4	206-031-125-023	.ANGLE	1	1	
5	205-030-183-001	.HANGER (REPLACED BY 70-022-1)	1	6	
5	70-022-1	.HANGER (REPLACES 205-0030-183-001)	1	1	
6	140-001-11	.WASHER	2	1	
7	206-031-125-025	.ANGLE	1	1	
8	206-031-125-029	.ANGLE, LH	1		
9	206-031-125-030	.ANGLE, RH	1		
10	206-031-125-003	.COVER ASSY	1		A
10	206-031-125-043	.COVER ASSY	1		B
10	206-031-125-053	.COVER ASSY	1		D
11	AN515DD8-5	.SCREW	4		
12	206-031-125-031	.DOOR	1		A
12	206-031-125-049	.DOOR	1		C
13	NAS697A08K	.NUTPLATE (REPLACED BY MS21069L08K)	4		
13	MS21069L08K	.NUTPLATE (REPLACES NAS697A08K)	4		
	206-031-125-005	.COVER ASSY	1		A
	206-031-125-045	.COVER ASSY	1		B
	206-031-125-055	.COVER ASSY	1		D
14	206-031-125-027	.STIFFENER	5		
	206-031-271-101	PANEL INSTL, FUEL CELL	1		
15	70-022-1	.HANGER	1	1	E
16	140-001-11	.WASHER	2	1	E
17	MS27039-1-05	.SCREW	4	1	E
18	MS21059L3	.NUTPLATE	4	1	E
19	206-031-271-103	.PANEL ASSY	1	6	E
USABLE ON CODES					
	CODE	MODEL	SERIAL NUMBER		
	A	206A	4-497		
	B	206A	498-583		
	C	206A/B/BIII	498-3566		
	D	206A/B/BIII	584-3566		
	E	206BIII	3567-SUB		
<p>1) UNLESS A USABLE ON PART NUMBER IS LISTED IN THE ITEM NAME COLUMN; NO CODE INDICATES THE PART APPLIES TO ALL SERIAL NUMBERS.</p> <p>2) IF THE SERIAL NUMBER IS BLANK THE PART APPLIES TO ALL SERIAL NUMBERS FOR THAT MODEL.</p>					



206ABS-53-1020
C0000

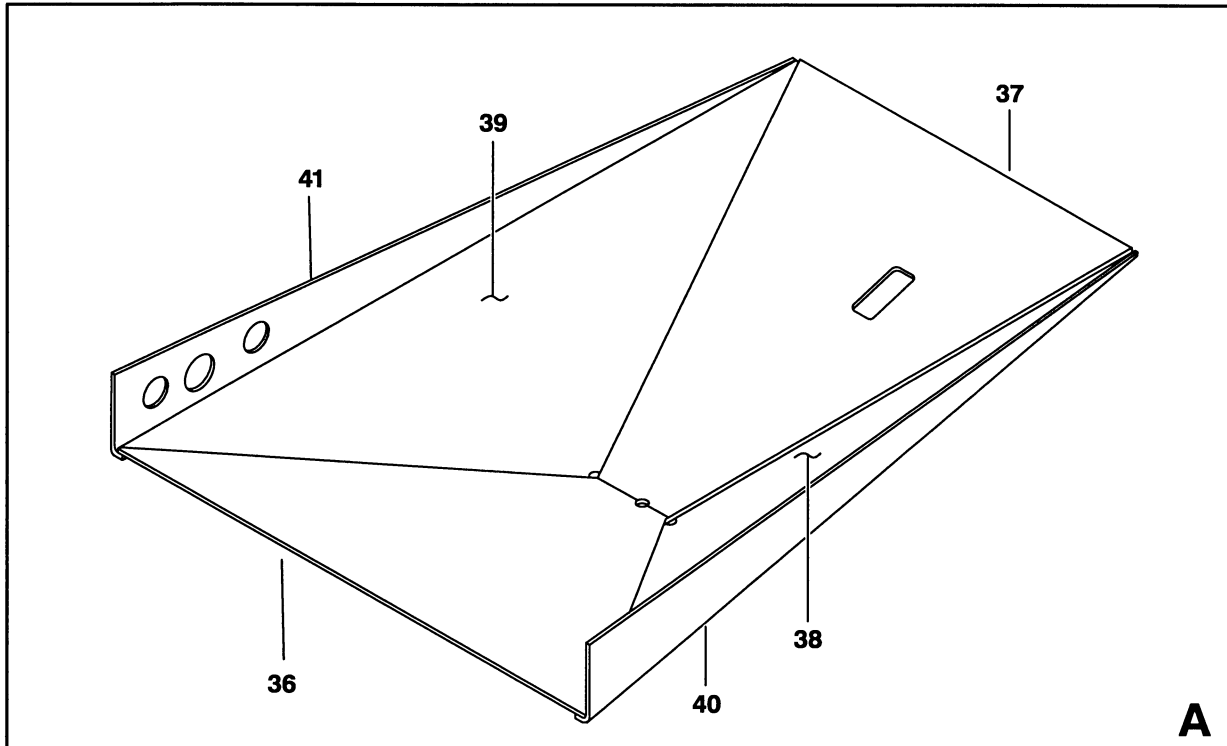
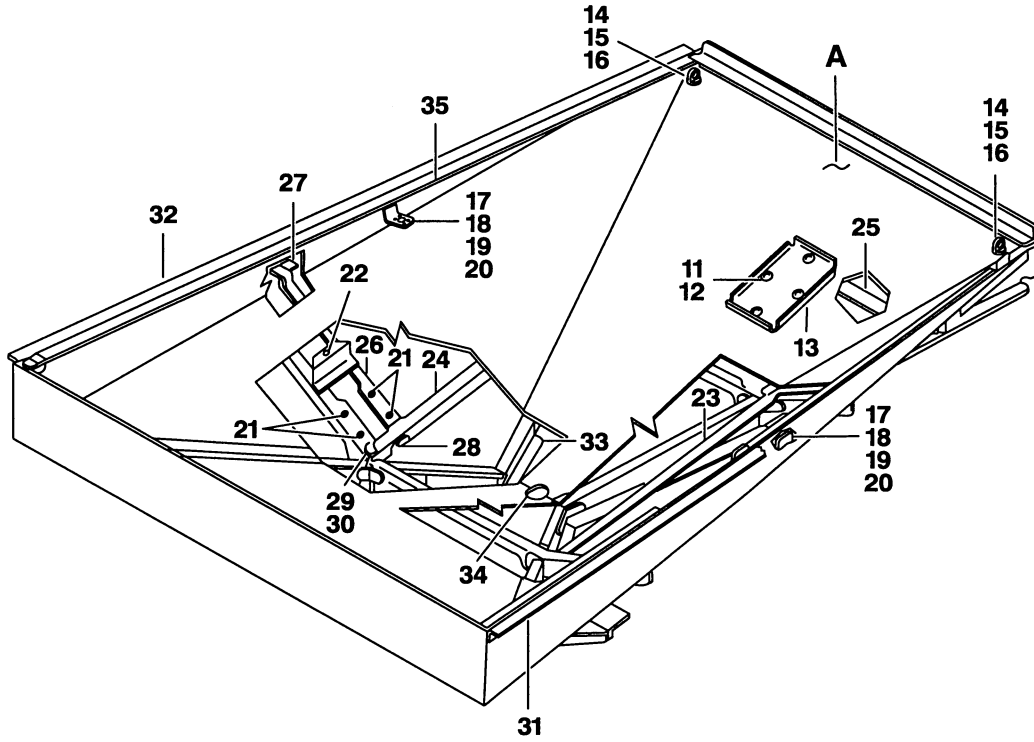
Figure 53-20. Bulkhead installation, STA 130.00

(1) INDEX NUMBER	(2) PART NUMBER	(3) ITEM NAME	(4) UNIT PER ASSY	(5) A V A I L	(6) U O C
		FIGURE: 53-20. Bulkhead installation, STA 130.00			
	206-031-302-007	BULKHEAD INSTL, STA 130.00	1		
	206-031-302-011	BULKHEAD INSTL, STA 130.00	1		
	206-031-302-127	BULKHEAD INSTL, STA 130.00	1		
	206-031-302-169	BULKHEAD INSTL, STA 130.00	1		
	206-031-302-183	BULKHEAD INSTL, STA 130.00	1		
	206-031-302-205	BULKHEAD INSTL, STA 130.00	1		
	206-031-302-209	BULKHEAD INSTL, STA 130.00	1		
	206-031-302-247	BULKHEAD INSTL, STA 130.00	1		
	206-031-302-249	BULKHEAD INSTL, STA 130.00	1		
	206-031-302-271	BULKHEAD INSTL, STA 130.00	1		
1	SS50726K2220	. PLUG BUTTON	1		
		(ALTERNATE PART)			
1	100-046S80B1	. PLUG BUTTON	1	1	
2	206-030-333-001	. GASKET	1	1	
3	206-031-302-085	. CLIP, LH	1		
4	206-031-302-086	. CLIP, RH	1	0	
5	206-031-302-075	. SPLICE, LH	1	6	
6	206-031-302-076	. SPLICE, RH	1	1	
7	206-031-302-079	. SPLICE, LH	1		
8	206-031-302-080	. SPLICE, RH	1		
9	206-031-302-077	. SPLICE, LH	1		
10	206-031-302-078	. SPLICE, RH	1	1	
11	206-031-302-073	. CLIP (NOTE 1)	2	0	
12	206-031-302-074	. CLIP (NOTE 1)	2	0	
13	30-015-5	. COLLAR	4	1	
14	100-048-5-3	. PIN	4	1	
15	AN960C10L	. WASHER (REPLACED BY NAS1149C0332R)	4		
15	NAS1149C0332R	. WASHER (REPLACES AN960C10L)	4	1	
16	206-031-629-103	. FITTING (NOTE 1)	2	1	
17	DELETED			
18	206-031-302-087	. CLIP, LH	1		
19	206-031-302-088	. CLIP, RH	1		
20	NAS697A5	. NUTPLATE (REPLACED BY MS21069L5)	1		
20	MS21069L5	. NUTPLATE (REPLACES NAS697A5)	1	1	
21	206-031-302-009	. BULKHEAD ASSY	1		A
21	206-031-302-013	. BULKHEAD ASSY	1		B
21	206-031-302-129	. BULKHEAD ASSY	1		C
21	206-031-302-171	. BULKHEAD ASSY	1	6	D
21	206-031-302-185	. BULKHEAD ASSY	1		J
21	206-031-302-207	. BULKHEAD ASSY	1		M
21	206-031-302-211	. BULKHEAD ASSY	1	6	P
21	206-031-302-241	. BULKHEAD ASSY	1	6	AG
21	206-031-302-251	. BULKHEAD ASSY	1		R
21	206-031-302-267	. BULKHEAD ASSY	1		V
22	205-030-183-001	. HANGER (REPLACED BY 70-022-1)	14	6	G
22	70-022-1	. HANGER (REPLACES 205-030-183-001)	14	1	G
23	140-001-11	. WASHER	28	1	G
24	205-030-183-001	. HANGER (REPLACED BY 70-022-1)	2	6	G
24	70-022-1	. HANGER (REPLACES 205-030-183-001)	2	1	G
25	140-001-11	. WASHER	4	1	G

(1) INDEX NUMBER	(2) PART NUMBER	(3) ITEM NAME	(4) UNIT PER ASSY	(5) A V A I L	(6) U O C
FIGURE: 53-20. Bulkhead installation, STA 130.00 (Cont'd)					
26	MS24694S47	..SCREW (REPLACED BY MS24694-S47)	8	0	
26	MS24694-S47	..SCREW (REPLACES MS24694S47)	8		
27	662-R1-1	..FOOTMAN LOOP	4		N
27	90-009-4	..FOOTMAN LOOP	4	1	S
28	AN960JD10LL	..WASHER (REPLACED BY NAS1149D0616J)	8	1	
28	NAS1149D0616J	..WASHER (REPLACES AN960JD10LL)	8		
29	100-046S25Y1	..PLUG BUTTON	1		
30	206-031-302-111	..SUPPORT	1	1	
31	206-031-212-003	..RADIUS BLOCK	2	1	
32	206-031-212-001	..SUPPORT, LH	1		
33	206-031-212-002	..SUPPORT, RH	1		
34	MS27039-1-08	..SCREW	1	1	
35	NAS698A3	..NUTPLATE (REPLACED BY MS21073L3)	1	0	
35	MS21073L3	..NUTPLATE (REPLACES NAS698A3)	1	1	
36	206-031-302-125	..CHANNEL	1	0	E
37	206-031-302-189	..CHANNEL	1		EQ
37	206-031-302-257	..CHANNEL	1		U
38	206-031-302-187	..FRAME	1		EQ
38	206-031-302-255	..FRAME	1		U
39	206-031-302-173	..FRAME, LH	1		
40	206-031-302-036	..FRAME, RH	1		E
40	206-031-302-233	..FRAME, RH	1		P
40	206-031-302-243	..FRAME, RH	1		T
41	206-031-302-133	..SUPPORT, LH (REPLACED BY 206-031-302-227)	1		H
41	206-031-302-227	..SUPPORT, LH (REPLACES 206-031-302-133)	1	1	
42	206-031-302-134	..SUPPORT, RH (REPLACED BY 206-031-302-228)	1		H
42	206-031-302-228	..SUPPORT, RH (REPLACES 206-031-302-134)	1	1	
43	206-031-302-193	..SUPPORT	1		F
43	206-031-302-269	..SUPPORT	1		V
44	206-031-302-017	..STIFFENER, LH	1		F
45	206-031-302-018	..STIFFENER, RH	1		F
46	206-031-302-121	..SUPPORT, LH	1	1	
47	206-031-302-122	..SUPPORT, RH	1	1	
48	206-031-302-203	..SUPPORT, LH	1	1	L
49	206-031-302-204	..SUPPORT, RH	1	1	L
50	MS27039-1-06	..SCREW	2	1	K
51	AN960PD10L	..WASHER (REPLACED BY AN960JD10L)	2		K
51	AN960JD10L	..WASHER (REPLACES AN960PD10L) (REPLACED BY NAS1149D0332J)	2		K
51	NAS1149D0332J	..WASHER (REPLACES AN960JD10L)	2		K
52	206-031-188-001	..SUPPORT (REPLACED BY 206-031-188-101)	1	0	K
52	206-031-188-101	..SUPPORT (REPLACES 206-031-188-001)	1		L
53	206-031-302-025	..SUPPORT, LH	1	6	
54	206-031-302-026	..SUPPORT, RH	1		E
54	206-031-302-225	..SUPPORT, RH	1	0	Q
55	30-015-5	..COLLAR	4	1	S
56	100-048-5-4	..PIN	4	1	S
57	206-031-302-191	..PANEL ASSY	1		K
57	206-031-302-213	..PANEL ASSY	1	6	S
58	206-031-302-195	..DOUBLER	1		K

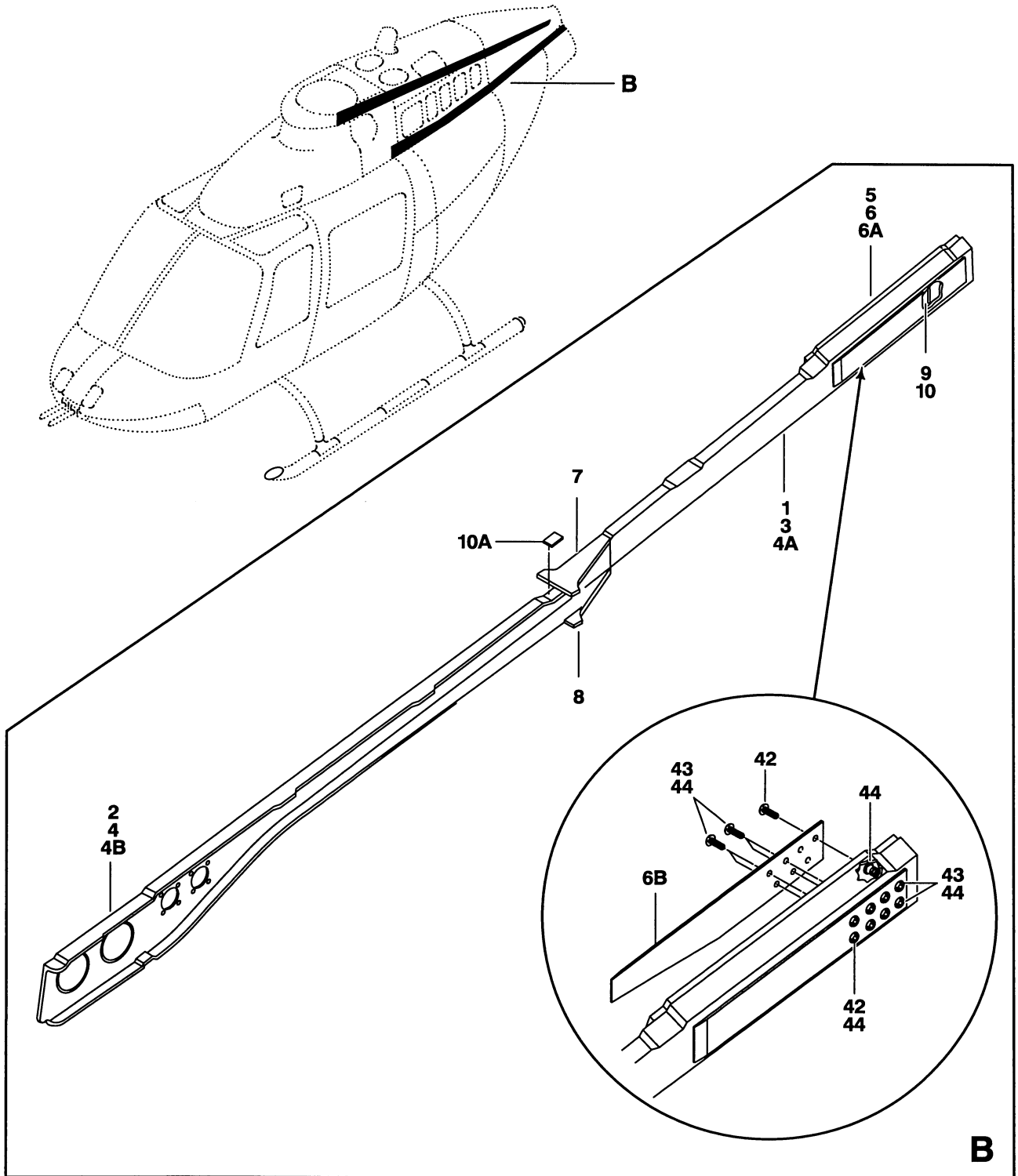
(1) INDEX NUMBER	(2) PART NUMBER	(3) ITEM NAME	(4) UNIT PER ASSY	(5) A V A I L	(6) U O C
		FIGURE: 53-20. Bulkhead installation, STA 130.00 (Cont'd)			
58	206-031-302-237	...DOUBLER	1		S
59	80-007-06-3	...INSERT	2	1	K
60	SL2-08-3751ANP	...INSERT	5		K
60	80-004-1-6	...INSERT	5	1	S
61	80-004-2-6	...INSERT	8	1	
62	206-031-201-037	STIFFENER, LH (NOTE 1) (REPLACED BY 206-031-201-291)	1		
62	206-031-201-291	STIFFENER, LH (NOTE 1) (REPLACES 206-031-201-037)	1		
63	206-031-201-093	STIFFENER, RH (NOTE 1) (REPLACED BY 206-031-201-291)	1		
63	206-031-201-291	STIFFENER, RH (NOTE 1) (REPLACES 206-031-201-093)	1		
64	206-031-201-295	STIFFENER (NOTE 1)	1		
65	120-098-08C11	SHIM (NOTE 1)	4	1	
		NOTE 1: 206-031-629-103 FITTING AND 206-031-201-291 STIFFENER AS A UNIT REPLACE 206-031-302-073 AND -074 CLIP, 206-031-201-109 RADIUS BLOCK, 206-03-201-037 STIFFENER, 206-031-201-093 STIFFENER AND 120-098-08C11 SHIM AS A UNIT.			

(1) INDEX NUMBER	(2) PART NUMBER	(3) ITEM NAME	(4) UNIT PER ASSY	(5) A V A I L	(6) U O C																																																															
		<p>FIGURE: 53-20. Bulkhead installation, STA 130.00 (Cont'd)</p> <p style="text-align: center;">USABLE ON CODES</p> <table border="0" style="width: 100%;"> <thead> <tr> <th style="text-align: left;">CODE</th> <th style="text-align: left;">MODEL</th> <th style="text-align: left;">SERIAL NUMBER</th> </tr> </thead> <tbody> <tr><td>A</td><td>206A</td><td>4-103</td></tr> <tr><td>B</td><td>206A</td><td>104-153</td></tr> <tr><td>C</td><td>206A</td><td>154-583</td></tr> <tr><td>D</td><td>206A/B</td><td>584-913</td></tr> <tr><td>E</td><td>206A/B/BIII</td><td>4-3566</td></tr> <tr><td>F</td><td>206A/B/BIII</td><td>4-4359</td></tr> <tr><td>G</td><td>206A/B/BIII</td><td>104-3566</td></tr> <tr><td>H</td><td>206A/B/BIII</td><td>154-3566</td></tr> <tr><td>J</td><td>206B/BIII</td><td>914-2123</td></tr> <tr><td>K</td><td>206B/BIII</td><td>914-3566</td></tr> <tr><td>L</td><td>206B/BIII</td><td>914-SUB</td></tr> <tr><td>M</td><td>206BIII</td><td>2124-3566</td></tr> <tr><td>N</td><td>206BIII</td><td>2212-3566</td></tr> <tr><td>P</td><td>206BIII</td><td>3567-4216</td></tr> <tr><td>Q</td><td>206BIII</td><td>3567-4310</td></tr> <tr><td>R</td><td>206BIII</td><td>4311-4359</td></tr> <tr><td>S</td><td>206BIII</td><td>3567-SUB</td></tr> <tr><td>T</td><td>206BIII</td><td>4217-SUB</td></tr> <tr><td>U</td><td>206BIII</td><td>4311-SUB</td></tr> <tr><td>V</td><td>206BIII</td><td>4360-SUB</td></tr> </tbody> </table> <p>1) UNLESS A USABLE ON PART NUMBER IS LISTED IN THE ITEM NAME COLUMN; NO CODE INDICATES THE PART APPLIES TO ALL SERIAL NUMBERS.</p> <p>2) IF THE SERIAL NUMBER IS BLANK THE PART APPLIES TO ALL SERIAL NUMBERS FOR THAT MODEL.</p>	CODE	MODEL	SERIAL NUMBER	A	206A	4-103	B	206A	104-153	C	206A	154-583	D	206A/B	584-913	E	206A/B/BIII	4-3566	F	206A/B/BIII	4-4359	G	206A/B/BIII	104-3566	H	206A/B/BIII	154-3566	J	206B/BIII	914-2123	K	206B/BIII	914-3566	L	206B/BIII	914-SUB	M	206BIII	2124-3566	N	206BIII	2212-3566	P	206BIII	3567-4216	Q	206BIII	3567-4310	R	206BIII	4311-4359	S	206BIII	3567-SUB	T	206BIII	4217-SUB	U	206BIII	4311-SUB	V	206BIII	4360-SUB			
CODE	MODEL	SERIAL NUMBER																																																																		
A	206A	4-103																																																																		
B	206A	104-153																																																																		
C	206A	154-583																																																																		
D	206A/B	584-913																																																																		
E	206A/B/BIII	4-3566																																																																		
F	206A/B/BIII	4-4359																																																																		
G	206A/B/BIII	104-3566																																																																		
H	206A/B/BIII	154-3566																																																																		
J	206B/BIII	914-2123																																																																		
K	206B/BIII	914-3566																																																																		
L	206B/BIII	914-SUB																																																																		
M	206BIII	2124-3566																																																																		
N	206BIII	2212-3566																																																																		
P	206BIII	3567-4216																																																																		
Q	206BIII	3567-4310																																																																		
R	206BIII	4311-4359																																																																		
S	206BIII	3567-SUB																																																																		
T	206BIII	4217-SUB																																																																		
U	206BIII	4311-SUB																																																																		
V	206BIII	4360-SUB																																																																		



206A/B/B3-53-1021-1
C0000

Figure 53-21. Longeron, upper AFT fuselage and pan, engine installations (Sheet 1 of 2)



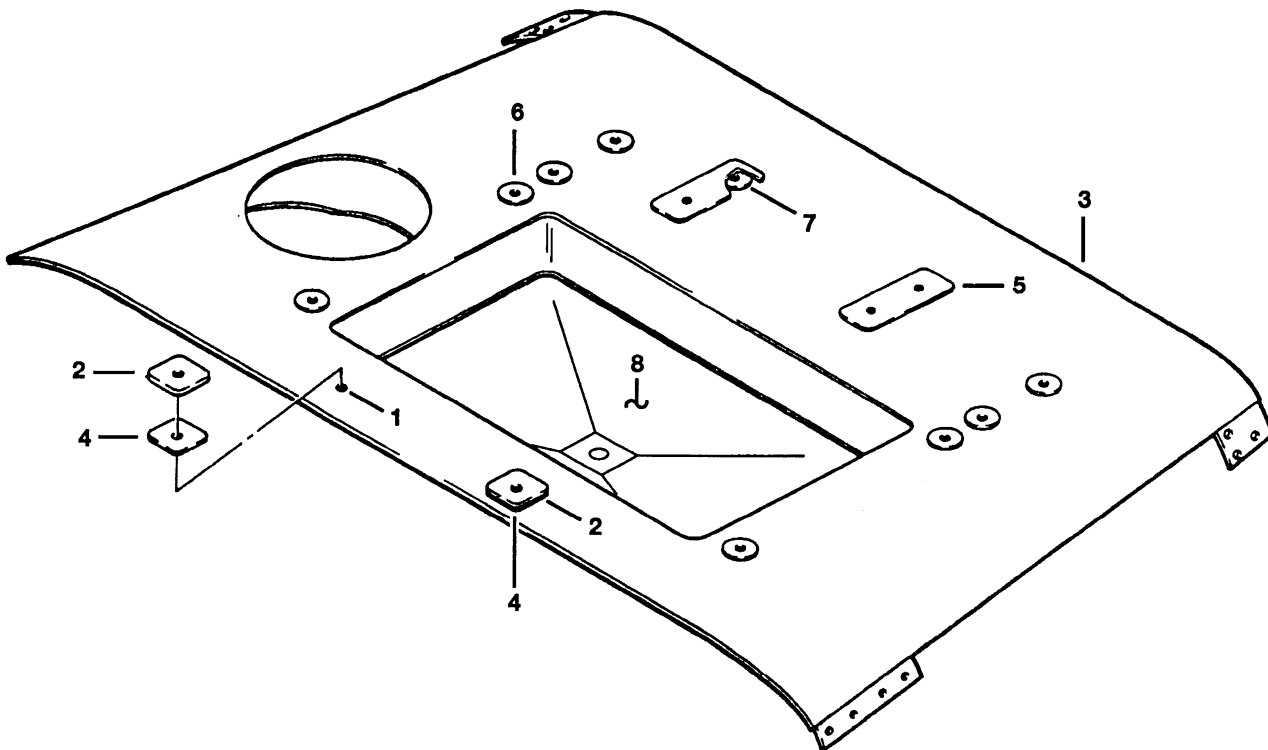
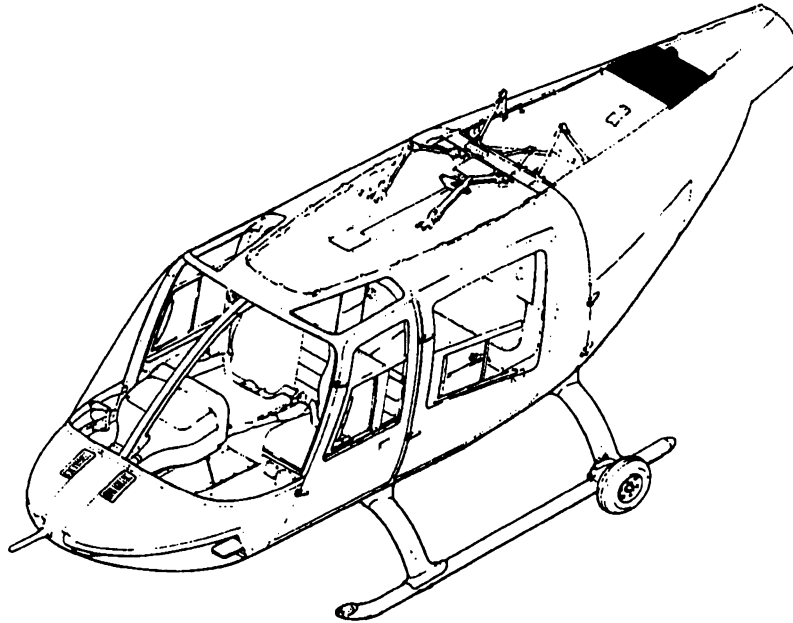
206A/B/B3-53-1021-2
C0000

Figure 53-21. Longeron, upper AFT fuselage and pan, engine installations (Sheet 2)

(1) INDEX NUMBER	(2) PART NUMBER	(3) ITEM NAME	(4) UNIT PER ASSY	(5) A V A I L	(6) U O C
		FIGURE: 53-21. Longeron, upper AFT fuselage and pan, engine installations			
	206-031-314-001	LONGERON INSTL, UPPER AFT FUSELAGE, LH	1		
	206-031-314-021	LONGERON INSTL, UPPER AFT FUSELAGE, LH	1		
	206-031-314-155	LONGERON INSTL, UPPER AFT FUSELAGE, LH	1		
	206-031-314-181	LONGERON INSTL, UPPER AFT FUSELAGE, LH	1		
	206-031-314-002	LONGERON INSTL, UPPER AFT FUSELAGE, RH	1		
	206-031-314-022	LONGERON INSTL, UPPER AFT FUSELAGE, RH	1		
	206-031-314-047	LONGERON INSTL, UPPER AFT FUSELAGE, RH	1		
	206-031-314-183	LONGERON INSTL, UPPER AFT FUESLAGE, RH	1		
1	206-031-314-015	.CHANNEL, LH	1		DR
2	206-031-314-023	.CHANNEL, LH	1		RS
3	206-031-314-016	.CHANNEL, RH	1		DRS
3	206-031-314-192	.CHANNEL, RH	1		U
4	206-031-314-049	.CHANNEL, RH	1		RS
4	206-031-314-199	.CHANNEL, RH	1		U
	206-031-314-185	.CHANNEL ASSY, LH	1		S
	206-031-314-189	.CHANNEL ASSY, LH	1		U
4A	206-031-314-015	..CHANNEL, LH	1		S
4A	206-031-314-191	..CHANNEL, LH	1		U
4B	206-031-314-193	..CHANNEL, LH	1		U
5	206-031-314-017	.ANGLE, LH	1	1	DR
6	206-031-314-018	.ANGLE, RH	1	1	
	206-031-314-187	.ANGLE ASSY, LH	1		T
6A	206-031-314-017	..ANGLE, LH	1	1	
6B	206-031-314-151	..DOUBLER, LH	1	0	T
7	206-031-314-007	.DOUBLER, LH	1		DR
7	206-031-314-008	.DOUBLER, RH	1		J
8	206-031-314-009	.DOUBLER, LH	1		
8	206-031-314-010	.DOUBLER, RH	1		
9	206-031-329-001	.FITTING, LH (REPLACED BY 206-031-329-101 AND 206-031-329-103)	1		M
9	206-031-329-101	.FITTING, LH (REPLACES 206-031-329-001) (REPLACED BY 206-031-329-103)	1		P
9	206-031-329-103	.FITTING, LH (REPLACES 206-031-329-101 AND 206-031-329-001)	1		R
9	407-030-750-103	.FITTING, LH	1	0	T
10	206-031-329-002	.FITTING, RH (REPLACED BY 206-031-329-102 AND 206-031-329-104)	1		M
10	206-031-329-102	.FITTING, RH (REPLACES 206-031-329-002) (REPLACED BY 206-031-329-104)	1		N
10	206-031-329-104	.FITTING, RH (REPLACES 206-031-329-002 AND 206-031-329-102)	1		Q
10A	206-031-314-043	.FILLER (USBL ON 206-031-314-183)	1		
	206-031-315-001	PAN INSTL, ENGINE	1		
	206-031-315-101	PAN INSTL, ENGINE	1		
	206-031-315-137	PAN INSTL, ENGINE	1		
	206-031-315-143	PAN INSTL, ENGINE	1		
	206-031-315-147	PAN INSTL, ENGINE	1		
	206-031-315-163	PAN INSTL, ENGINE	1		
	206-031-315-167	PAN INSTL, ENGINE	1		

(1) INDEX NUMBER	(2) PART NUMBER	(3) ITEM NAME	(4) UNIT PER ASSY	(5) A V A I L	(6) U O C
		FIGURE: 53-21. Longeron, upper AFT fuselage and pan, engine installations (Cont'd)			
	206-031-315-171	PAN INSTL, ENGINE	1		
11	NAS679C3M	.NUT (REPLACED BY MS21043-3)	4		
11	MS21043-3	.NUT (REPLACES NAS679C3M)	4	1	
12	MS27039C1-06	.SCREW	4	1	
13	206-031-315-055	.DOOR	1		
14	NAS679A3	.NUT (REPLACED BY MS21042L3)	2		
14	MS21042L3	.NUT (REPLACES NAS679A3)	2	1	
15	AN960-10	.WASHER (REPLACED BY NAS1149F0363P)	2		
15	NAS1149F0363P	.WASHER (REPLACES AN960-10)	2	1	
16	AN42B3	.EYEBOLT (REPLACED BY AN42B-3)	2		
16	AN42B-3	.EYEBOLT (REPLACES AN42B3)	2	1	
17	MS21042L04	.NUT (NOTE 2)	2	1	
18	AN960-4	.WASHER (NOTE 2) (REPLACED BY NAS1149FN432P)	2	1	
18	NAS1149FN432P	.WASHER (NOTE 2) (REPLACES AN960-4)	2		
19	MS35206-215	.SCREW (NOTE 2)	2	1	
20	MS17160-8	.CLIP (NOTE 2) (REPLACED BY M24066/2-308)	2		
20	M24066/2-308	.CLIP (NOTE 2) (REPLACES MS17160-8)	2		
21	NAS697A4	.NUTPLATE (REPLACED BY MS21069L4)	4		K
21	MS21069L4	.NUTPLATE (REPLACES NAS697A4)	4	1	K
22	NAS697A3	.NUTPLATE (REPLACED BY MS21069L3)	1		L
22	MS21069L3	.NUTPLATE (REPLACES NAS697A3)	1	1	L
23	206-031-315-063	.STIFFENER, LH	1		
24	206-031-315-064	.STIFFENER, RH	1		B
24	206-031-315-117	.STIFFENER, RH	1	1	K
25	206-031-315-071	.STIFFENER	1		
26	206-031-315-115	.STIFFENER	1	1	K
27	206-031-315-121	.CLIP	1		K
28	206-031-315-119	.CLIP	1	1	K
29	206-031-315-032	.CLIP, RH	1		B
29	206-031-315-123	.CLIP, RH	1	1	K
30	206-031-315-031	.CLIP, LH	1	0	
31	206-031-315-065	.SUPPORT, LH	1		
32	206-031-315-066	.SUPPORT, RH	1		
33	206-031-315-067	.SUPPORT	1		C
33	206-031-362-001	.SUPPORT ASSY	1		H
	206-031-315-003	.PAN ASSY	1		A
	206-031-315-103	.PAN ASSY	1		E
	206-031-315-139	.PAN ASSY	1		F
	206-031-315-153	.PAN ASSY	1		G
	206-031-315-161	.PAN ASSY	1		L
34	206-031-330-001	..FITTING, DRAIN	1	1	
35	206-031-315-099	..PAN	1		A
35	206-031-315-105	..PAN	1		E
35	206-031-315-141	..PAN	1		F
35	206-031-315-155	..PAN	1	0	G
35	206-031-315-159	..PAN (NOTE 1)	1		L
36	206-031-315-173	..WEB (NOTE 1)	1	6	
37	206-031-315-175	..WEB (NOTE 1)	1	6	
38	206-031-315-177	..WEB (NOTE 1)	1	6	

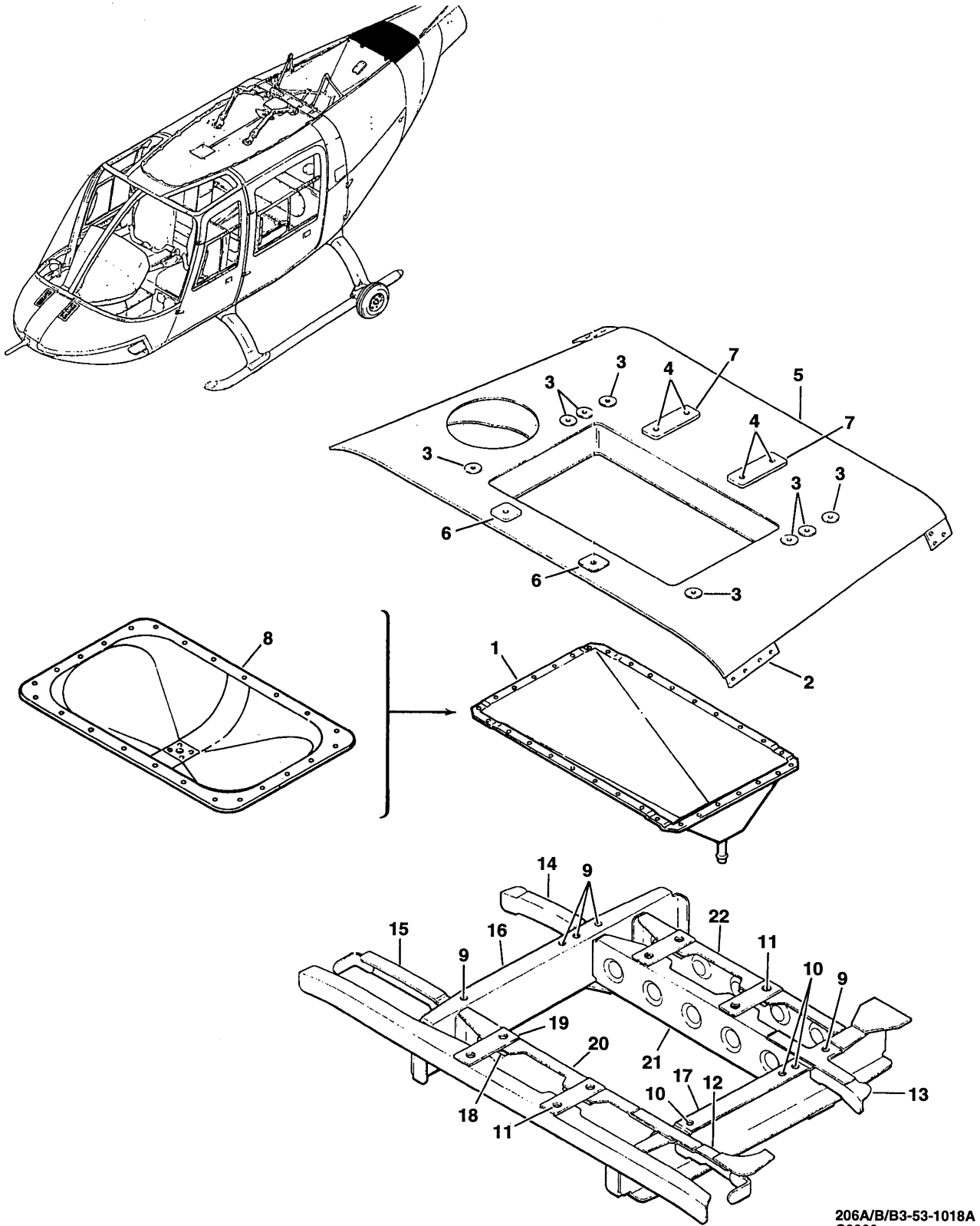
(1) INDEX NUMBER	(2) PART NUMBER	(3) ITEM NAME	(4) UNIT PER ASSY	(5) A V A I L	(6) U O C
		FIGURE: 53-21. Longeron, upper AFT fuselage and pan, engine installations (Cont'd)			
39	206-031-315-179	..WEB (NOTE 1)	1	6	
40	206-031-315-087	.FRAME, LH	1		
41	206-031-315-088	.FRAME, RH	1		
42	100-049-6-4	.PIN (USBL ON 206-031-314-155 AND -181)	9	1	
43	100-049-6-5	.PIN (USBL ON 206-031-314-155 AND -181)	6	1	
44	30-139-6	.COLLAR ASSY (USBL ON 206-031-314-155 AND -181) . .	15	1	
		NOTE 1: 206-031-315-173, -175, -177 AND -179 WEB AS A UNIT MAY BE USED AS AN ALTERNATE TO REPLACE 206-031-315-159 PAN.			
		NOTE 2: WHEN REPLACING MS17160-8 CLIP OR M24066/2-308 CLIP, MS21042L04 NUT, AN960-4 WASHER AND MS35206-215 SCREW MAY BE USED IN PLACE OF RIVET.			
		USABLE ON CODES			
		CODE MODEL SERIAL NUMBER			
		A 206A 4-153			
		B 206A 4-413			
		C 206A 4-448			
		D 206A/B/BIII 4-1563			
		E 206A 154-253			
		F 206A 254-448			
		G 206A 449-497			
		H 206A 449-SUB			
		J 206A/B/BIII 4-4474			
		K 206A/B/BIII 414-SUB			
		L 206A/B/BIII 498-SUB			
		M 206B/BIII 1564-4014			
		N 206B/BIII 1564-4324			
		P 206B/BIII 1564-4359			
		Q 206B/BIII 1564-SUB			
		R 206B/BIII 1564-4449			
		S 206BIII 4450-4474			
		T 206BIII 4450-SUB			
		U 206BIII 4475-SUB			
		1) UNLESS A USABLE ON PART NUMBER IS LISTED IN THE ITEM NAME COLUMN; NO CODE INDICATES THE PART APPLIES TO ALL SERIAL NUMBERS.			
		2) IF THE SERIAL NUMBER IS BLANK THE PART APPLIES TO ALL SERIAL NUMBERS FOR THAT MODEL.			



206A/B/B3-53-1018
C0000

Figure 53-22. Support installation, STA 167.00 to STA 179.92 and pan installation, fan drain, oil cooler (S/N 2212 thru SUB)

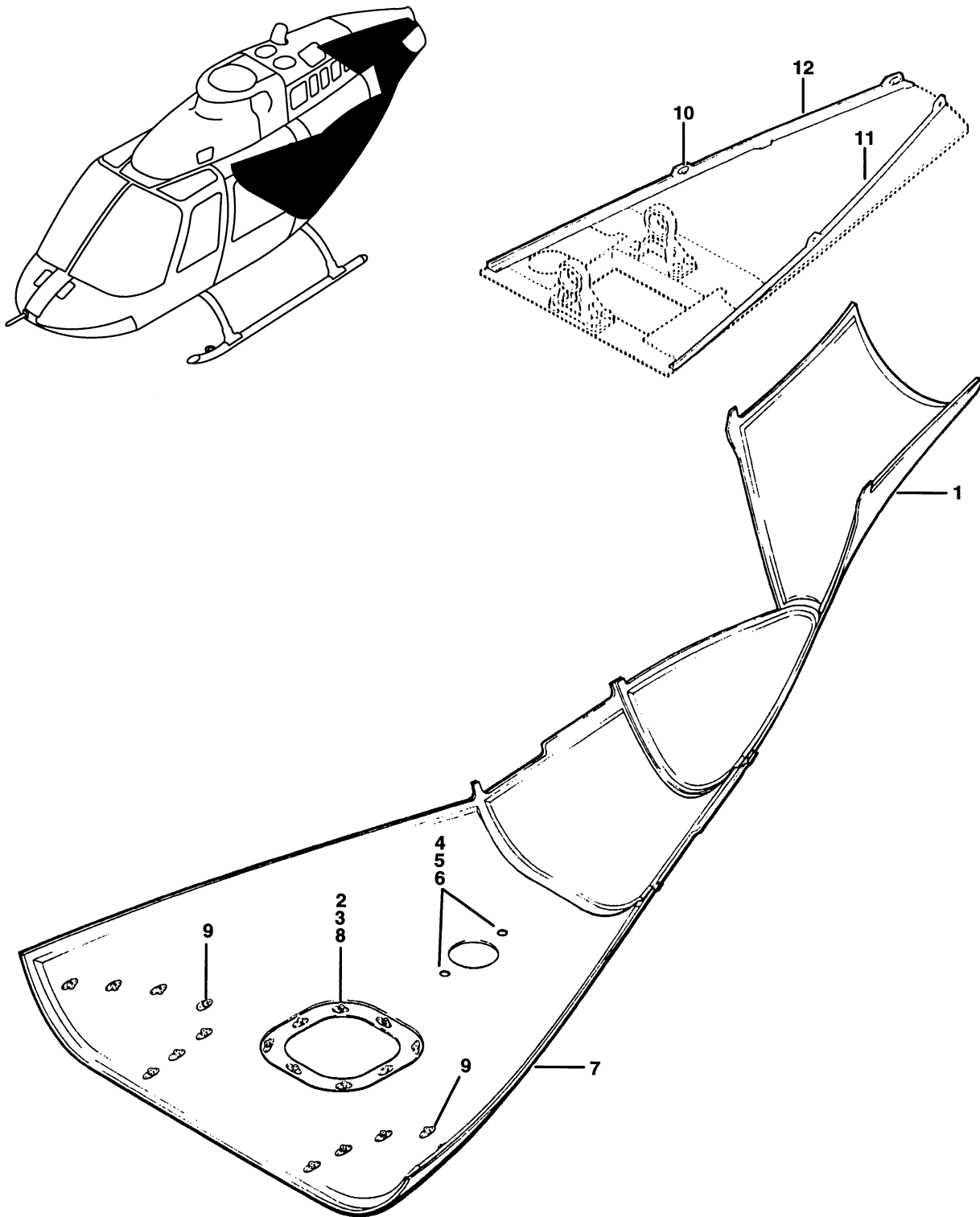
(1) INDEX NUMBER	(2) PART NUMBER	(3) ITEM NAME	(4) UNIT PER ASSY	(5) A V A I L	(6) U O C
		FIGURE: 53-22. Support installation, STA 167.00 to STA 179.92 and pan installation, fan drain, oil cooler (S/N 2212 thru SUB)			
	206-033-322-005	SUPPORT INSTL, STATION 167.00 TO STATION 179.92 . . .	1		
1	F1967-4	.ANCHOR NUT	2	6	
2	206-031-322-029	.RADIUS BLOCK	2	1	
3	206-033-322-007	.PANEL ASSY (REPLACED BY 206-033-322-009)	1		
3	206-033-322-009	.PANEL ASSY (REPLACES 206-033-322-007)	1		
4	206-032-314-003	..SHIM	2	1	
5	206-032-314-001	..SHIM (USBL ON 206-033-322-007)	2	1	
6	80-004-2C20	..INSERT (USBL ON 206-033-322-007)	8	1	
7	80-004-3C20	..INSERT (USBL ON 206-033-322-007)	4	1	
	206-033-334-005	PAN INSTL, FAN DRAIN, OIL COOLER	1		
8	206-033-334-007	.PAN ASSY	1		
		USABLE ON CODES			
		CODE MODEL SERIAL NUMBER			
		A 206B3			
		1) UNLESS A USABLE ON PART NUMBER IS LISTED IN THE ITEM NAME COLUMN; NO CODE INDICATES THE PART APPLIES TO ALL SERIAL NUMBERS.			
		2) IF THE SERIAL NUMBER IS BLANK THE PART APPLIES TO ALL SERIAL NUMBERS FOR THAT MODEL.			



206A/B/B3-53-1018A
C0000

Figure 53-23. Pan installation, oil cooler fan; mod, improved performance; intercostal installation, STA 167 to 179.92

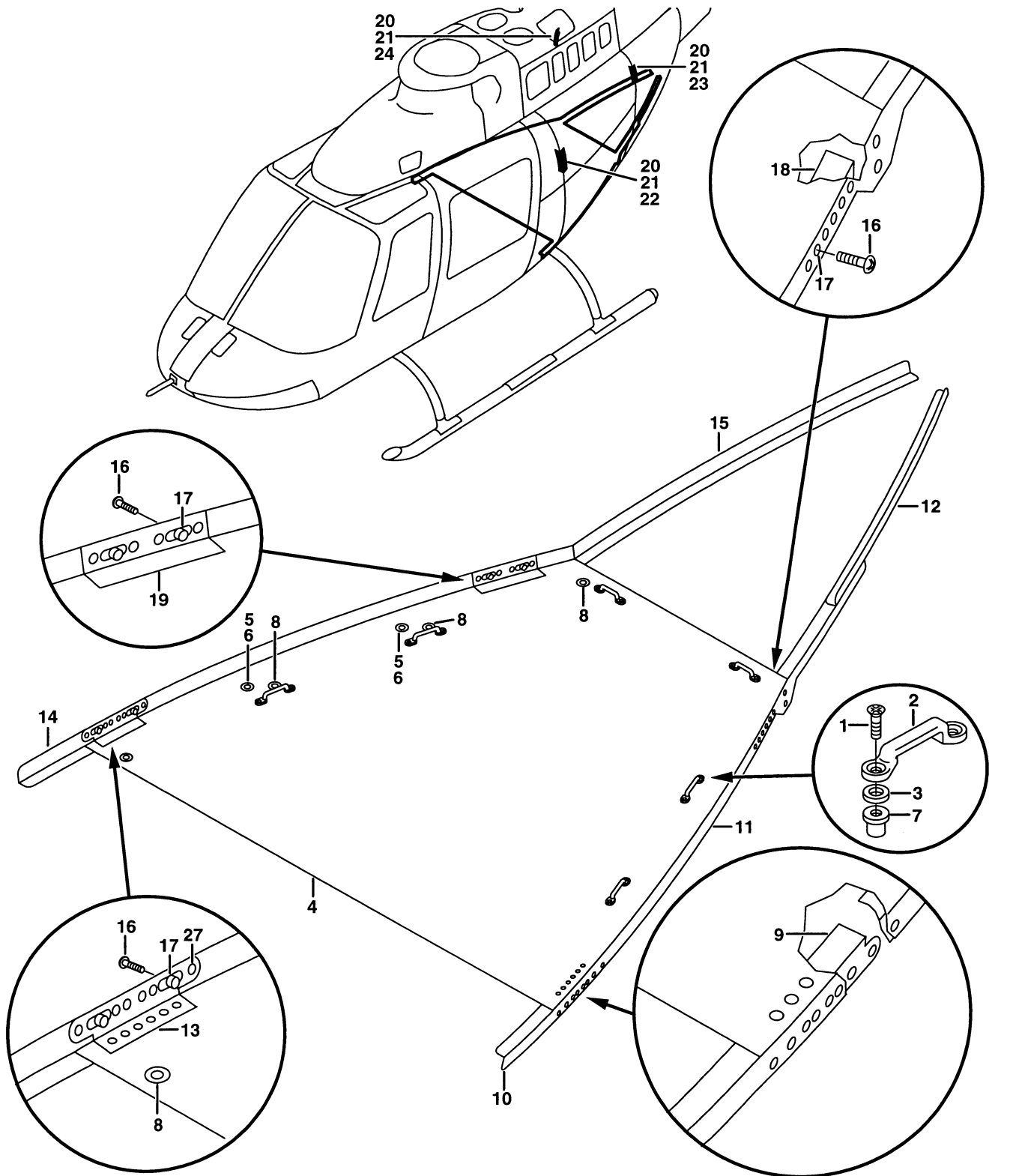
(1) INDEX NUMBER	(2) PART NUMBER	(3) ITEM NAME	(4) UNIT PER ASSY	(5) A V A I L	(6) U O C
FIGURE: 53-23. Pan installation, oil cooler fan; mod, improved performance; intercostal installation , STA 167 to 179.92					
	206-031-361-007	PAN INSTL, OIL COOLER FAN	1		
1	206-031-361-009	. PAN ASSY (PRE MOD 206-961-453-001)	1		A
	206-961-453-001	FUSELAGE MOD	1		
2	206-033-322-039	. SHIM	2	1	
3	80-004-2C20	. INSERT	8	1	
4	80-004-3C20	. INSERT	4	1	
5	206-033-322-009	. PANEL ASSY	1		
6	206-032-314-003	. . SHIM	2	1	
7	206-032-314-001	. SHIM	2	1	
8	206-033-334-003	. PAN ASSY (POST MOD 206-961-451-001)	1		
	206-031-322-041	INTERCOSTAL INSTL, STA 167 TO 179.92	1		
	206-031-322-049	INTERCOSTAL INSTL, STA 167 TO 179.92	1		
9	NAS1068A3	. NUTPLATE (REPLACED BY MS21075L3)	5	0	
9	MS21075L3	. NUTPLATE (REPLACES NAS1068A3)	5	0	
10	NAS696A3	. NUTPLATE (REPLACED BY MS21071L3)	3		
10	MS21071L3	. NUTPLATE (REPLACES NAS696A3)	3		
11	F1967-4	. ANCHOR NUT	8	6	
12	206-031-322-011	. STIFFENER	1		
13	206-031-322-015	. STIFFENER	1	6	
14	206-031-322-017	. STIFFENER	1		
15	206-031-322-013	. STIFFENER	1	1	
16	206-031-322-005	. STIFFENER	1		
17	206-031-322-003	. STIFFENER	1	1	
18	206-031-322-029	. RADIUS BLOCK	8	1	
19	206-031-322-039	. SHIM	4		
20	206-031-322-009	. STIFFENER	1		
21	206-031-322-045	. STIFFENER (REPLACED BY 206-031-322-051)	1	0	
21	206-031-322-051	. STIFFENER (REPLACES 206-031-322-045)	1		
22	206-031-322-043	. STIFFENER	1		
USABLE ON CODES					
	CODE	MODEL	SERIAL NUMBER		
	A	206B	2059-2211		
1) UNLESS A USABLE ON PART NUMBER IS LISTED IN THE ITEM NAME COLUMN; NO CODE INDICATES THE PART APPLIES TO ALL SERIAL NUMBERS.					
2) IF THE SERIAL NUMBER IS BLANK THE PART APPLIES TO ALL SERIAL NUMBERS FOR THAT MODEL.					



206A/B/B3-53-1019
C0000

Figure 53-24. Fairing and support installations

(1) INDEX NUMBER	(2) PART NUMBER	(3) ITEM NAME	(4) UNIT PER ASSY	(5) A V A I L	(6) U O C
		FIGURE: 53-24. Fairing and support installations			
	206-031-343-001	FAIRING INSTL, LOWER, AFT	1		
	206-031-343-009	FAIRING INSTL, LOWER, AFT	1		
	206-031-343-087	FAIRING INSTL, LOWER, AFT	1		
	206-031-343-099	FAIRING INSTL, LOWER, AFT	1		
	206-031-343-097	FAIRING INSTL, LOWER, AFT	1		
	206-031-343-115	FAIRING INSTL, LOWER, AFT	1		
1	206-031-343-005	.FAIRING ASSY	1	0	
1	206-031-343-089	.FAIRING ASSY	1	0	
1	206-031-343-101	.FAIRING ASSY (REPLACED BY 206-033-310-105)	1		
1	206-033-310-105	.FAIRING ASSY (REPLACES 206-031-343-101)	1		
2	MS27039-1-06	.SCREW	8	1	
3	AN960PD10L	.WASHER (REPLACED BY AN960JD10L)	8		
3	AN960JD10L	.WASHER (REPLACES AN960PD10L)	8		
4	MS21042L4	.NUT	2	1	
5	AN960PD416L	.WASHER (REPLACED BY AN960JD416L)	2		
5	AN960JD416L	.WASHER (REPLACES AN960PD416L)	2		
6	MS27039-4-09	.SCREW	2	1	
7	206-031-343-007	.FAIRING ASSY	1	0	
7	206-031-343-011	.FAIRING ASSY	1		
7	206-031-343-091	.FAIRING ASSY	1	0	
7	206-031-343-103	.FAIRING ASSY	1	0	
7	206-031-343-105	.FAIRING ASSY	1	0	
7	206-031-343-117	.FAIRING ASSY	1		
7	206-031-343-129	.FAIRING ASSY	1		
8	MS21059L3	..NUTPLATE (USBL ON 206-031-343-117 AND -129)	8	1	
9	NAS1068A3	..NUTPLATE (REPLACED BY MS21075L3)	14	0	
9	MS21075L3	..NUTPLATE (REPLACES NAS1068A3)	14	0	
	206-031-332-001	SUPPORT INSTL, COWL, FUSELAGE, AFT	1		
	206-031-332-005	SUPPORT INSTL, COWL, FUSELAGE, AFT	1		
	206-031-332-017	SUPPORT INSTL, COWL, FUSELAGE, AFT	1		
	206-031-332-025	SUPPORT INSTL, COWL, FUSELAGE, AFT	1		
10	RF31/2	.RECEPTACLE (REPLACED BY 50-008RF2)	4		
10	50-008RF2	.RECEPTACLE (REPLACES RF31/2)	4		
10	50-008RF2	.RECEPTACLE	4	1	
11	206-031-332-019	.SUPPORT, LH	1		
12	206-031-332-027	.SUPPORT, RH	1		



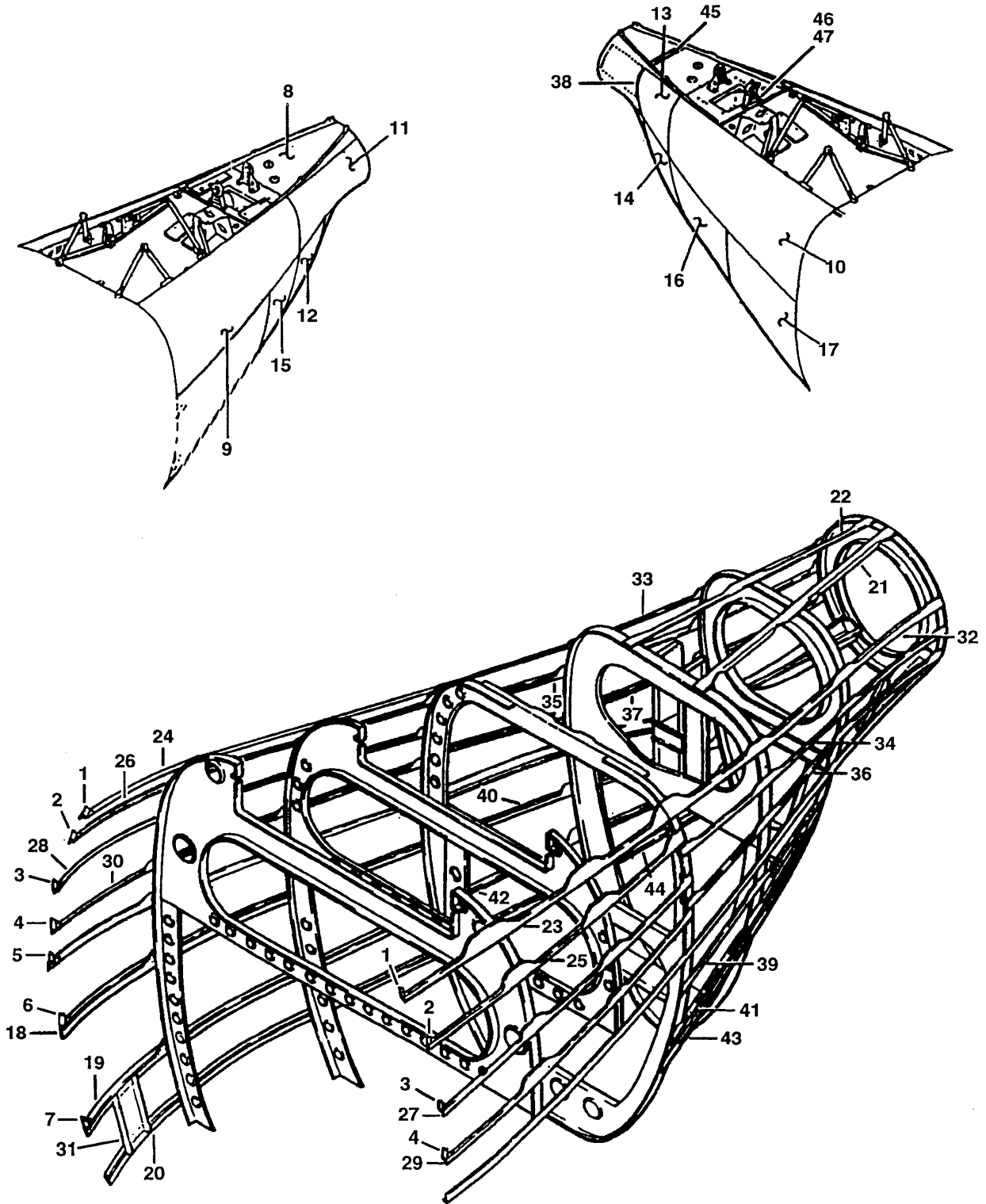
206A/B/B3-53-1019A
C0000

Figure 53-25. Fuselage assembly, AFT; platform installation, support, service (S/N 1564 thru 4310)

(1) INDEX NUMBER	(2) PART NUMBER	(3) ITEM NAME	(4) UNIT PER ASSY	(5) A V A I L	(6) U O C
		FIGURE: 53-25. Fuselage assembly, AFT; platform installation, support, service (S/N 1564 thru 4310)			
	206-031-003-103	FUSELAGE ASSY, AFT (SEE FIG. 26 FOR NHA) (SEE FIG. 26 FOR BALANCE OF BREAKDOWN)	1		A
	206-031-003-107	FUSELAGE ASSY, AFT (SEE FIG. 26 FOR NHA) (SEE FIG. 26 FOR BALANCE OF BREAKDOWN)	1		B
	206-031-003-119	FUSELAGE ASSY, AFT (SEE FIG. 26 FOR NHA) (SEE FIG. 26 FOR BALANCE OF BREAKDOWN)	1		C
	206-031-003-111	FUSELAGE ASSY, AFT (SEE FIG. 26 FOR NHA) (SEE FIG. 26 FOR BALANCE OF BREAKDOWN)	1	0	D
	206-031-003-137	FUSELAGE ASSY, AFT (SEE FIG. 26 FOR NHA) (SEE FIG. 26 FOR BALANCE OF BREAKDOWN)	1		E
	206-031-003-149	FUSELAGE ASSY, AFT (SEE FIG. 26 FOR NHA) (SEE FIG. 26 FOR BALANCE OF BREAKDOWN)	1		G
	206-031-003-159	FUSELAGE ASSY, AFT (SEE FIG. 26 FOR NHA) (SEE FIG. 26 FOR BALANCE OF BREAKDOWN)	1		J
	206-031-003-163	FUSELAGE ASSY, AFT (SEE FIG. 26 FOR NHA) (SEE FIG. 26 FOR BALANCE OF BREAKDOWN)	1		K
	206-031-003-171	FUSELAGE ASSY, AFT (SEE FIG. 26 FOR NHA) (SEE FIG. 26 FOR BALANCE OF BREAKDOWN)	1		L
	206-031-003-179	FUSELAGE ASSY, AFT (SEE FIG. 26 FOR NHA) (SEE FIG. 26 FOR BALANCE OF BREAKDOWN)	1		M
	206-031-003-191	FUSELAGE ASSY, AFT (SEE FIG. 26 FOR NHA) (SEE FIG. 26 FOR BALANCE OF BREAKDOWN)	1		R
	206-031-003-203	FUSELAGE ASSY, AFT (SEE FIG. 26 FOR NHA) (SEE FIG. 26 FOR BALANCE OF BREAKDOWN)	1		S
	206-031-003-207	FUSELAGE ASSY, AFT (SEE FIG. 26 FOR NHA) (SEE FIG. 26 FOR BALANCE OF BREAKDOWN) (REPLACED BY 206-031-003-213)	1		T
	206-031-003-213	FUSELAGE ASSY, AFT (SEE FIG. 26 FOR NHA) (SEE FIG. 26 FOR BALANCE OF BREAKDOWN) (REPLACES 206-031-003-207)	1		U
	206-031-003-221	FUSELAGE ASSY, AFT (SEE FIG. 26 FOR NHA) (SEE FIG. 26 FOR BALANCE OF BREAKDOWN)	1		V
	206-031-313-113	.FLOOR INSTL, BAGGAGE COMPARTMENT	1		
1	MS24694S47	..SCREW (REPLACED BY MS24694-S47)	12	0	
1	MS24694-S47	..SCREW (REPLACES MS24694S47)	12		
2	662R1-1	..FOOTMAN LOOP	6		F
2	90-009-4	..FOOTMAN LOOP	6	1	N
3	AN960JD10LL	..WASHER (REPLACED BY NAS1149D0616J)	12	1	
3	NAS1149D0616J	..WASHER (REPLACES AN960JD10LL)	12		
4	206-031-313-005	..FLOOR ASSY	1	0	F
4	206-031-313-115	..FLOOR ASSY	1		N
5	P101D12-1	...PLUG	2	0	
6	S101D12-08	...SLEEVE (REPLACED BY 80-011-S5D08-0)	2	0	
6	80-011-S5D08-0	...SLEEVE (REPLACES S101D12-08)	2	1	
7	80-004-2-8	...INSERT	12	1	
8	80-004-1B8	...INSERT	4	1	
	206-031-318-029	.LONGERON INSTL, LOWER, LH	1		
	206-031-318-101	.LONGERON INSTL, LOWER, LH	1		

(1) INDEX NUMBER	(2) PART NUMBER	(3) ITEM NAME	(4) UNIT PER ASSY	(5) A V A I L	(6) U O C
		FIGURE: 53-25. Fuselage assembly, AFT; platform installation, support, service (S/N 1564 thru 4310) (Cont'd)			
	206-031-318-031	.LONGERON INSTL, LOWER, RH	1	0	
	206-031-318-103	.LONGERON INSTL, LOWER, RH	1		
	206-031-318-033	.LONGERON INSTL, LOWER, LH	1		
	206-031-318-105	.LONGERON INSTL, LOWER, LH	1		
	206-031-318-035	.LONGERON INSTL, LOWER, RH	1		
	206-031-318-107	.LONGERON INSTL, LOWER, RH	1		
9	206-031-318-037	.ANGLE (USBL ON 206-031-318-029 AND -101)	1	1	PV
10	206-031-318-045	.LONGERON (USBL ON 206-031-318-029)	1		P
10	206-031-318-015	.LONGERON (USBL ON 206-031-318-101)	1		V
11	206-031-318-039	.LONGERON (USBL ON 206-031-318-033)	1		H
11	206-031-318-019	.LONGERON (USBL ON 206-031-318-019)	1		V
12	206-031-318-119	.LONGERON (USBL ON 206-031-318-035)	1		H
12	206-031-318-027	.LONGERON (USBL ON 206-031-318-105)	1		V
13	206-031-318-041	.ANGLE (USBL ON 206-031-318-031, -035 AND -103)	1	1	
14	206-031-318-047	.LONGERON (USBL ON 206-031-318-031)	1		P
14	206-031-318-017	.LONGERON (USBL ON 206-031-318-017)	1		V
15	206-031-318-043	.LONGERON (USBL ON 206-031-318-035)	1	6	H
15	206-031-318-021	.LONGERON (USBL ON 206-031-318-107)	1		V
	206-031-344-001	PLATFORM INSTL, SUPPORT, SERVICE	1		Q
16	MS27039-1-07	.SCREW	8	1	
17	NAS697A3	.NUTPLATE (REPLACED BY MS21069L3)	8		
17	MS21069L3	.NUTPLATE (REPLACES NAS697A3)	8	1	
18	206-031-344-015	.DOUBLER	1	0	
19	206-031-344-017	.SUPPORT	1	0	
20	MS27039-1-08	.SCREW	3	1	
21	NAS697A3	.NUTPLATE (REPLACED BY MS21069L3)	3		
21	MS21069L3	.NUTPLATE (REPLACES NAS697A3)	3	1	
22	206-031-344-019	.SUPPORT	1	0	
23	206-031-344-027	.SUPPORT	1	0	
24	206-031-344-029	.SUPPORT	1	0	

(1) INDEX NUMBER	(2) PART NUMBER	(3) ITEM NAME	(4) UNIT PER ASSY	(5) A V A I L	(6) U O C																																																															
		<p>FIGURE: 53-25. Fuselage assembly, AFT; platform installation, support, service (S/N 1564 thru 4310) (Cont'd)</p> <p style="text-align: center;">USABLE ON CODES</p> <table border="0" style="width: 100%;"> <thead> <tr> <th style="text-align: left;">CODE</th> <th style="text-align: left;">MODEL</th> <th style="text-align: left;">SERIAL NUMBER</th> </tr> </thead> <tbody> <tr><td>A</td><td>206A</td><td>4-153</td></tr> <tr><td>B</td><td>206A</td><td>154-253</td></tr> <tr><td>C</td><td>206A</td><td>254-413</td></tr> <tr><td>D</td><td>206A</td><td>414-497</td></tr> <tr><td>E</td><td>206A</td><td>498-583</td></tr> <tr><td>F</td><td>206A/B</td><td>4-913</td></tr> <tr><td>G</td><td>206A/B</td><td>584-913</td></tr> <tr><td>H</td><td>206A/B/BIII</td><td>4-4310</td></tr> <tr><td>J</td><td>206B</td><td>914-1251</td></tr> <tr><td>K</td><td>206B</td><td>1252-1750</td></tr> <tr><td>L</td><td>206B</td><td>1751-2058</td></tr> <tr><td>M</td><td>206B</td><td>2059-2211</td></tr> <tr><td>N</td><td>206B/BIII</td><td>914-SUB</td></tr> <tr><td>P</td><td>206B/BIII</td><td>1564-4310</td></tr> <tr><td>Q</td><td>206B/BIII</td><td>1564-SUB</td></tr> <tr><td>R</td><td>206BIII</td><td>2212-3566</td></tr> <tr><td>S</td><td>206BIII</td><td>3217-3566</td></tr> <tr><td>T</td><td>206BIII</td><td>3567-4004</td></tr> <tr><td>U</td><td>206BIII</td><td>3567-4310</td></tr> <tr><td>V</td><td>206BIII</td><td>4311-SUB</td></tr> </tbody> </table> <p>1) UNLESS A USABLE ON PART NUMBER IS LISTED IN THE ITEM NAME COLUMN; NO CODE INDICATES THE PART APPLIES TO ALL SERIAL NUMBERS.</p> <p>2) IF THE SERIAL NUMBER IS BLANK THE PART APPLIES TO ALL SERIAL NUMBERS FOR THAT MODEL.</p>	CODE	MODEL	SERIAL NUMBER	A	206A	4-153	B	206A	154-253	C	206A	254-413	D	206A	414-497	E	206A	498-583	F	206A/B	4-913	G	206A/B	584-913	H	206A/B/BIII	4-4310	J	206B	914-1251	K	206B	1252-1750	L	206B	1751-2058	M	206B	2059-2211	N	206B/BIII	914-SUB	P	206B/BIII	1564-4310	Q	206B/BIII	1564-SUB	R	206BIII	2212-3566	S	206BIII	3217-3566	T	206BIII	3567-4004	U	206BIII	3567-4310	V	206BIII	4311-SUB			
CODE	MODEL	SERIAL NUMBER																																																																		
A	206A	4-153																																																																		
B	206A	154-253																																																																		
C	206A	254-413																																																																		
D	206A	414-497																																																																		
E	206A	498-583																																																																		
F	206A/B	4-913																																																																		
G	206A/B	584-913																																																																		
H	206A/B/BIII	4-4310																																																																		
J	206B	914-1251																																																																		
K	206B	1252-1750																																																																		
L	206B	1751-2058																																																																		
M	206B	2059-2211																																																																		
N	206B/BIII	914-SUB																																																																		
P	206B/BIII	1564-4310																																																																		
Q	206B/BIII	1564-SUB																																																																		
R	206BIII	2212-3566																																																																		
S	206BIII	3217-3566																																																																		
T	206BIII	3567-4004																																																																		
U	206BIII	3567-4310																																																																		
V	206BIII	4311-SUB																																																																		



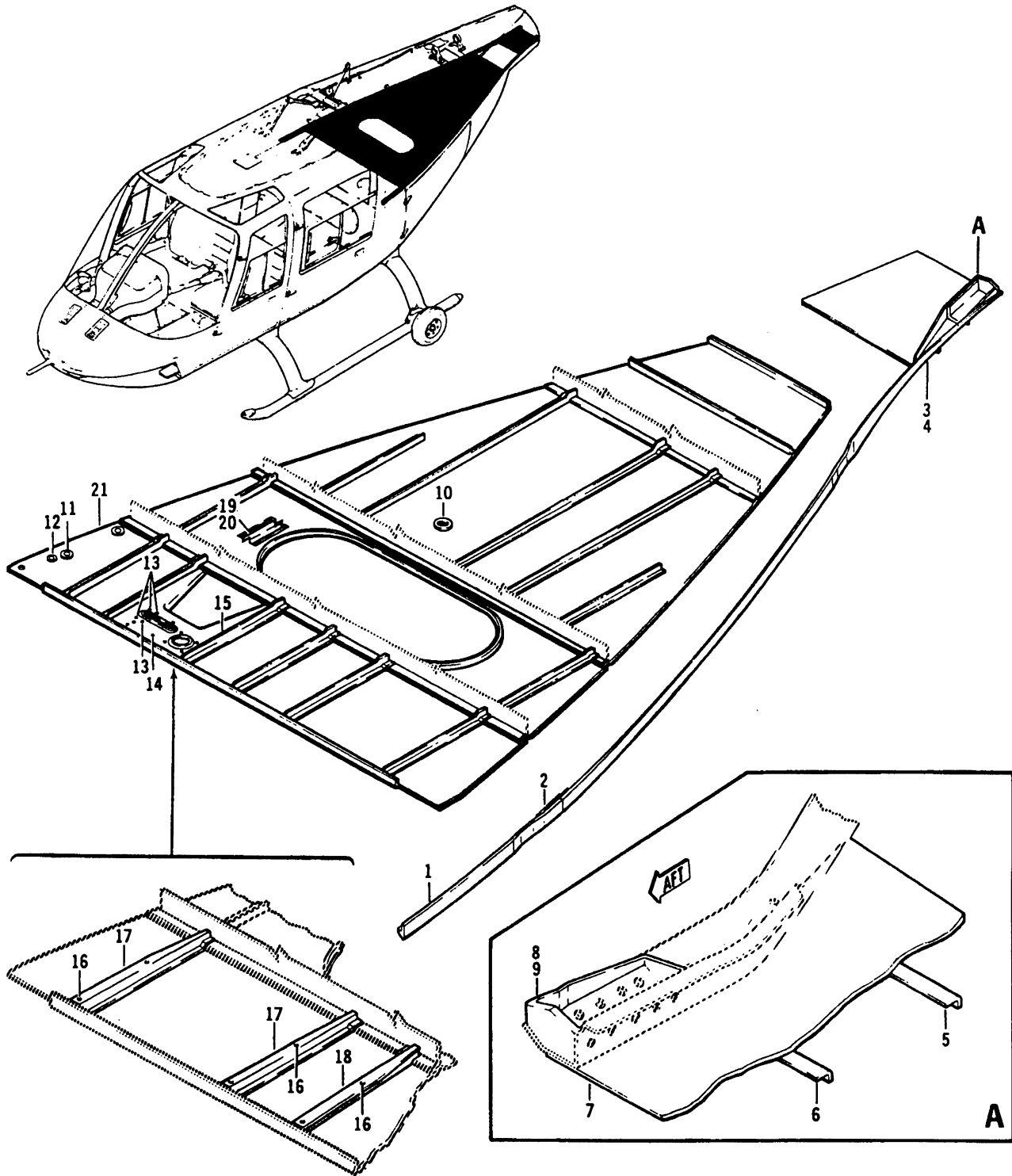
206A/B/B3-53-1020
C0000

Figure 53-26. Fuselage installation, AFT

(1) INDEX NUMBER	(2) PART NUMBER	(3) ITEM NAME	(4) UNIT PER ASSY	(5) A V A I L	(6) U O C
		FIGURE: 53-26. Fuselage installation, AFT			
	206-031-003-101	FUSELAGE INSTL, AFT	REF		
	206-031-003-105	FUSELAGE INSTL, AFT	REF		
	206-031-003-117	FUSELAGE INSTL, AFT	REF		
	206-031-003-109	FUSELAGE INSTL, AFT	REF		
	206-031-003-135	FUSELAGE INSTL, AFT	REF		
	206-031-003-147	FUSELAGE INSTL, AFT	REF		
	206-031-003-157	FUSELAGE INSTL, AFT	REF		
	206-031-003-161	FUSELAGE INSTL, AFT	REF		
	206-031-003-169	FUSELAGE INSTL, AFT	REF		
	206-031-003-177	FUSELAGE INSTL, AFT	REF		
	206-031-003-193	FUSELAGE INSTL, AFT	REF		
	206-031-003-201	FUSELAGE INSTL, AFT	REF		
	206-031-003-205	FUSELAGE INSTL, AFT	REF		
	206-031-003-219	FUSELAGE INSTL, AFT	REF		
1	206-031-003-057	.CLIP (REPLACED BY 206-031-003-061)	2		
1	206-031-003-061	.CLIP (REPLACES 206-031-003-057)	2	6	
2	206-031-003-059	.CLIP (REPLACED BY 206-031-003-061)	2		
2	206-031-003-061	.CLIP (REPLACES 206-031-003-059)	2	6	
3	206-031-003-061	.CLIP	2	6	
4	206-031-003-063	.CLIP (REPLACED BY 206-031-003-061)	2		
4	206-031-003-061	.CLIP (REPLACES 206-031-003-063)	2	6	
5	206-031-003-051	.CLIP (REPLACED BY 206-031-003-061)	1		
5	206-031-003-061	.CLIP (REPLACES 206-031-003-051)	1	6	
6	206-031-003-053	.CLIP (REPLACED BY 206-031-003-061)	1		
6	206-031-003-061	.CLIP (REPLACES 206-031-003-053)	1	6	
7	206-031-003-055	.CLIP (REPLACED BY 206-031-003-061)	1		
7	206-031-003-061	.CLIP (REPLACES 206-031-003-055)	1	6	
	206-031-003-103	.FUSELAGE ASSY, AFT (SEE FIG. 25 FOR BALANCE OF . . . BREAKDOWN)	1		A
	206-031-003-107	.FUSELAGE ASSY, AFT (SEE FIG. 25 FOR BALANCE OF . . . BREAKDOWN)	1		B
	206-031-003-119	.FUSELAGE ASSY, AFT (SEE FIG. 25 FOR BALANCE OF . . . BREAKDOWN)	1		C
	206-031-003-111	.FUSELAGE ASSY, AFT (SEE FIG. 25 FOR BALANCE OF . . . BREAKDOWN)	1	0	D
	206-031-003-137	.FUSELAGE ASSY, AFT (SEE FIG. 25 FOR BALANCE OF . . . BREAKDOWN)	1		E
	206-031-003-149	.FUSELAGE ASSY, AFT (SEE FIG. 25 FOR BALANCE OF . . . BREAKDOWN)	1		F
	206-031-003-159	.FUSELAGE ASSY, AFT (SEE FIG. 25 FOR BALANCE OF . . . BREAKDOWN)	1		L
	206-031-003-163	.FUSELAGE ASSY, AFT (SEE FIG. 25 FOR BALANCE OF . . . BREAKDOWN)	1		M
	206-031-003-171	.FUSELAGE ASSY, AFT (SEE FIG. 25 FOR BALANCE OF . . . BREAKDOWN)	1		N
	206-031-003-179	.FUSELAGE ASSY, AFT (SEE FIG. 25 FOR BALANCE OF . . . BREAKDOWN)	1		P
	206-031-003-191	.FUSELAGE ASSY, AFT (SEE FIG. 25 FOR BALANCE OF . . . BREAKDOWN)	1		R

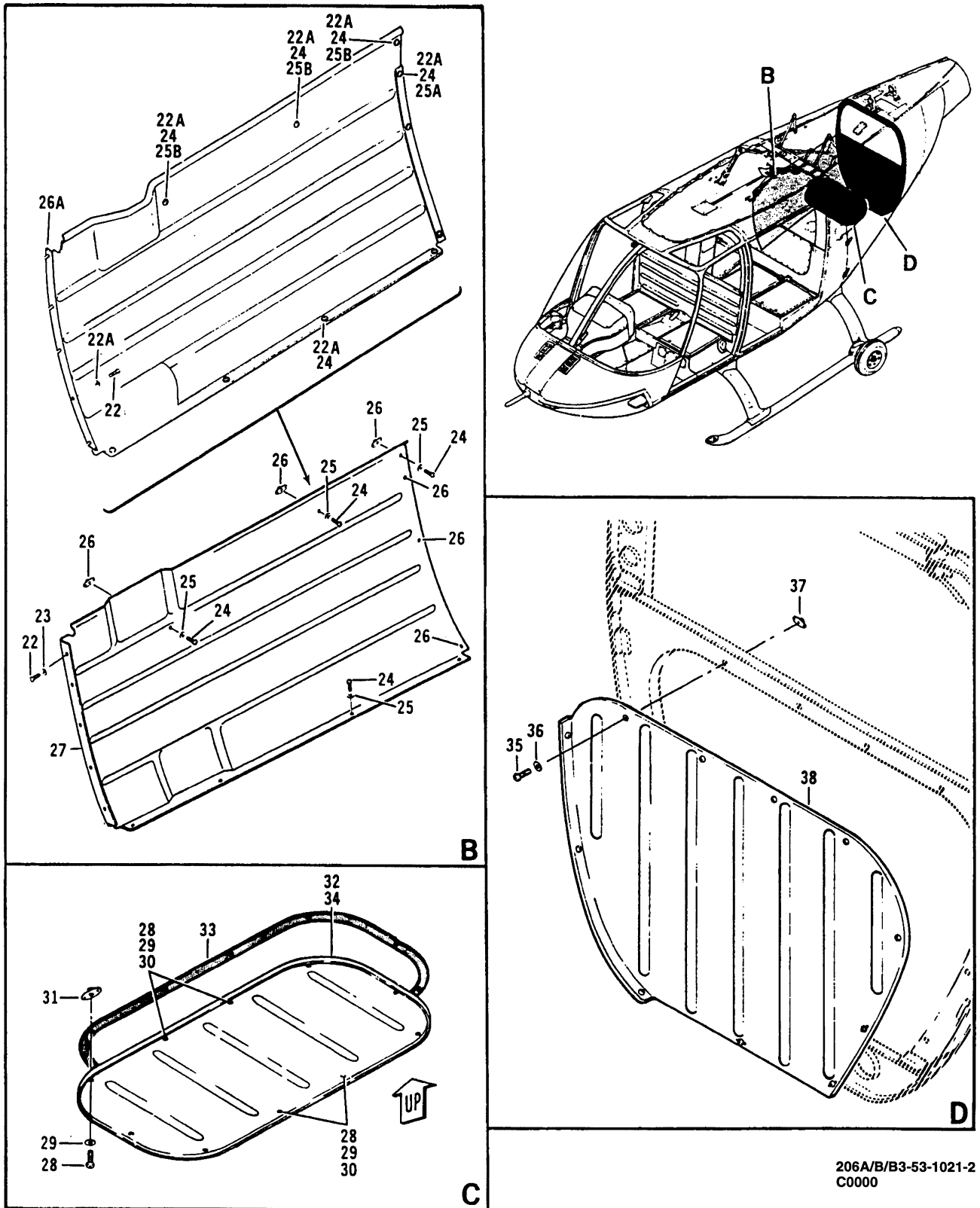
(1) INDEX NUMBER	(2) PART NUMBER	(3) ITEM NAME	(4) UNIT PER ASSY	(5) A V A I L	(6) U O C
		FIGURE: 53-26. Fuselage installation, AFT (Cont'd)			
	206-031-003-203	.FUSELAGE ASSY, AFT (SEE FIG. 25 FOR BALANCE OF . . . BREAKDOWN)	1		S
	206-031-003-207	.FUSELAGE ASSY, AFT (SEE FIG. 25 FOR BALANCE OF . . . BREAKDOWN) (REPLACED BY 206-031-003-213)	1		T
	206-031-003-213	.FUSELAGE ASSY, AFT (SEE FIG. 25 FOR BALANCE OF . . . BREAKDOWN) (REPLACES 206-031-003-207)	1		U
	206-031-003-221	.FUSELAGE ASSY, AFT (SEE FIG. 25 FOR BALANCE OF . . . BREAKDOWN)	1		W
8	206-031-003-017	..SKIN, UPPER	1		AB
8	206-031-003-121	..SKIN, UPPER	1		H
8	206-031-003-187	..SKIN, UPPER	1	1	Q
9	206-031-003-005	..SKIN, LH (REPLACED BY 206-031-003-165)	1	0	G
9	206-031-003-165	..SKIN, LH (REPLACES 206-031-003-005)	1	0	
10	206-031-003-006	..SKIN, RH (REPLACED BY 206-031-003-166)	1	0	G
10	206-031-003-166	..SKIN, RH (REPLACES 206-031-003-006)	1		
11	206-031-003-013	..SKIN, LH (NOTE 1)	1		
11	206-033-003-021	..SKIN, LH (NOTE 1)	1		
12	206-031-003-009	..SKIN, LH (NOTE 1)	1		
12	206-033-003-023	..SKIN, LH (NOTE 1)	1		
13	206-031-003-010	..SKIN, RH (NOTE 2)	1		
13	206-033-003-029	..SKIN, RH (NOTE 2)	1		
14	206-033-003-022	..SKIN, RH (NOTE 2)	1		
15	206-031-003-007	..SKIN, LH (REPLACED BY 206-031-003-139)	1	0	G
15	206-031-003-139	..SKIN, LH (REPLACES 206-031-003-007)	1		
16	206-031-003-071	..SKIN, RH (REPLACED BY 206-031-003-140)	1	0	G
16	206-031-003-140	..SKIN, RH (REPLACES 206-031-003-071)	1	0	
17	206-031-003-151	..SKIN, RH (REPLACED BY 206-031-003-141)	1	0	J
17	206-031-003-141	..SKIN, RH (REPLACES 206-031-003-151)	1	0	
18	206-031-003-045	..STIFFENER, RH	1		
19	206-031-003-047	..STIFFENER, RH	1		
20	206-031-003-049	..STIFFENER, RH	1		
20	206-031-003-039	..STIFFENER	1		AB
21	206-031-003-123	..STIFFENER, LH	1		HQ
21	206-031-003-040	..STIFFENER	1		AB
22	206-031-003-129	..STIFFENER, RH	1	1	HQ
23	206-031-003-035	..STIFFENER, LH	1		
24	206-031-003-036	..STIFFENER, RH	1		
25	206-031-003-033	..STIFFENER, LH	1		
26	206-031-003-034	..STIFFENER, RH	1	6	
27	206-031-003-031	..STIFFENER, LH	1		
28	206-031-003-032	..STIFFENER, RH	1		
29	206-031-003-029	..STIFFENER, LH	1		
30	206-031-003-030	..STIFFENER, RH	1		
31	206-031-003-145	..STIFFENER	1	1	K
32	206-031-003-027	..STIFFENER, LH	1		
33	206-031-003-069	..STIFFENER, RH	1	1	
34	206-031-003-025	..STIFFENER, LH	1	1	
35	206-031-003-067	..STIFFENER, RH	1		
36	206-031-003-023	..STIFFENER, LH	1		
37	206-031-003-065	..STIFFENER, RH	1	1	

(1) INDEX NUMBER	(2) PART NUMBER	(3) ITEM NAME	(4) UNIT PER ASSY	(5) A V A I L	(6) U O C																																																																		
FIGURE: 53-26. Fuselage installation, AFT (Cont'd)																																																																							
38	206-033-003-141	.. SUPPORT	1	1	V																																																																		
39	206-031-003-021	.. STIFFENER, LH	1																																																																				
40	206-031-003-022	.. STIFFENER, RH	1																																																																				
41	206-031-003-019	.. STIFFENER, LH	1																																																																				
42	206-031-003-020	.. STIFFENER, RH	1																																																																				
43	206-031-003-037	.. STIFFENER, LH	1																																																																				
44	206-031-003-038	.. STIFFENER, RH	1																																																																				
45	NAS697A3	.NUTPLATE (REPLACED BY MS21069L3)	2																																																																				
45	MS21069L3	.NUTPLATE (REPLACES NAS697A3)	2																																																																				
46	AN5-5A	.BOLT	2	1																																																																			
47	AN960PD416L	.WASHER (REPLACED BY AN960JD416L)	2																																																																				
47	AN960JD416L	.WASHER (REPLACES AN960PD416L)	2																																																																				
NOTE 1: 206-031-003-009 AND -013 AS A UNIT ARE REPLACED BY 206-033-003-021 AND -023.																																																																							
NOTE 2: 206-031-003-010 IS REPLACED BY 206-033-003-022 AND -029.																																																																							
USABLE ON CODES																																																																							
<table border="0" style="width: 100%;"> <thead> <tr> <th style="text-align: left;">CODE</th> <th style="text-align: left;">MODEL</th> <th style="text-align: left;">SERIAL NUMBER</th> </tr> </thead> <tbody> <tr><td>A</td><td>206A</td><td>4-153</td></tr> <tr><td>B</td><td>206A</td><td>154-253</td></tr> <tr><td>C</td><td>206A</td><td>254-413</td></tr> <tr><td>D</td><td>206A</td><td>414-497</td></tr> <tr><td>E</td><td>206A</td><td>498-583</td></tr> <tr><td>F</td><td>206A/B</td><td>584-913</td></tr> <tr><td>G</td><td>206A/B/BIII</td><td>4-3216</td></tr> <tr><td>H</td><td>206A/B/BIII</td><td>254-2058</td></tr> <tr><td>J</td><td>206A/B/BIII</td><td>584-2503</td></tr> <tr><td>K</td><td>206A/B/BIII</td><td>584-SUB</td></tr> <tr><td>L</td><td>206B</td><td>914-1251</td></tr> <tr><td>M</td><td>206B</td><td>1252-1750</td></tr> <tr><td>N</td><td>206B</td><td>1751-2058</td></tr> <tr><td>P</td><td>206B</td><td>2059-2211</td></tr> <tr><td>Q</td><td>206B/BIII</td><td>2059-SUB</td></tr> <tr><td>R</td><td>206BIII</td><td>2212-3216</td></tr> <tr><td>S</td><td>206BIII</td><td>3217-3566</td></tr> <tr><td>T</td><td>206BIII</td><td>3567-4004</td></tr> <tr><td>U</td><td>206BIII</td><td>3567-4310</td></tr> <tr><td>V</td><td>206BIII</td><td>3217-SUB</td></tr> <tr><td>W</td><td>206BIII</td><td>4311-SUB</td></tr> </tbody> </table>						CODE	MODEL	SERIAL NUMBER	A	206A	4-153	B	206A	154-253	C	206A	254-413	D	206A	414-497	E	206A	498-583	F	206A/B	584-913	G	206A/B/BIII	4-3216	H	206A/B/BIII	254-2058	J	206A/B/BIII	584-2503	K	206A/B/BIII	584-SUB	L	206B	914-1251	M	206B	1252-1750	N	206B	1751-2058	P	206B	2059-2211	Q	206B/BIII	2059-SUB	R	206BIII	2212-3216	S	206BIII	3217-3566	T	206BIII	3567-4004	U	206BIII	3567-4310	V	206BIII	3217-SUB	W	206BIII	4311-SUB
CODE	MODEL	SERIAL NUMBER																																																																					
A	206A	4-153																																																																					
B	206A	154-253																																																																					
C	206A	254-413																																																																					
D	206A	414-497																																																																					
E	206A	498-583																																																																					
F	206A/B	584-913																																																																					
G	206A/B/BIII	4-3216																																																																					
H	206A/B/BIII	254-2058																																																																					
J	206A/B/BIII	584-2503																																																																					
K	206A/B/BIII	584-SUB																																																																					
L	206B	914-1251																																																																					
M	206B	1252-1750																																																																					
N	206B	1751-2058																																																																					
P	206B	2059-2211																																																																					
Q	206B/BIII	2059-SUB																																																																					
R	206BIII	2212-3216																																																																					
S	206BIII	3217-3566																																																																					
T	206BIII	3567-4004																																																																					
U	206BIII	3567-4310																																																																					
V	206BIII	3217-SUB																																																																					
W	206BIII	4311-SUB																																																																					
1) UNLESS A USABLE ON PART NUMBER IS LISTED IN THE ITEM NAME COLUMN; NO CODE INDICATES THE PART APPLIES TO ALL SERIAL NUMBERS.																																																																							
2) IF THE SERIAL NUMBER IS BLANK THE PART APPLIES TO ALL SERIAL NUMBERS FOR THAT MODEL.																																																																							



206A/B/B3-53-1021-1
C0000

Figure 53-27. Longeron; web, station 130.00 to station 192.84; panel, baggage compartment and cover installations
(Sheet 1 of 2)



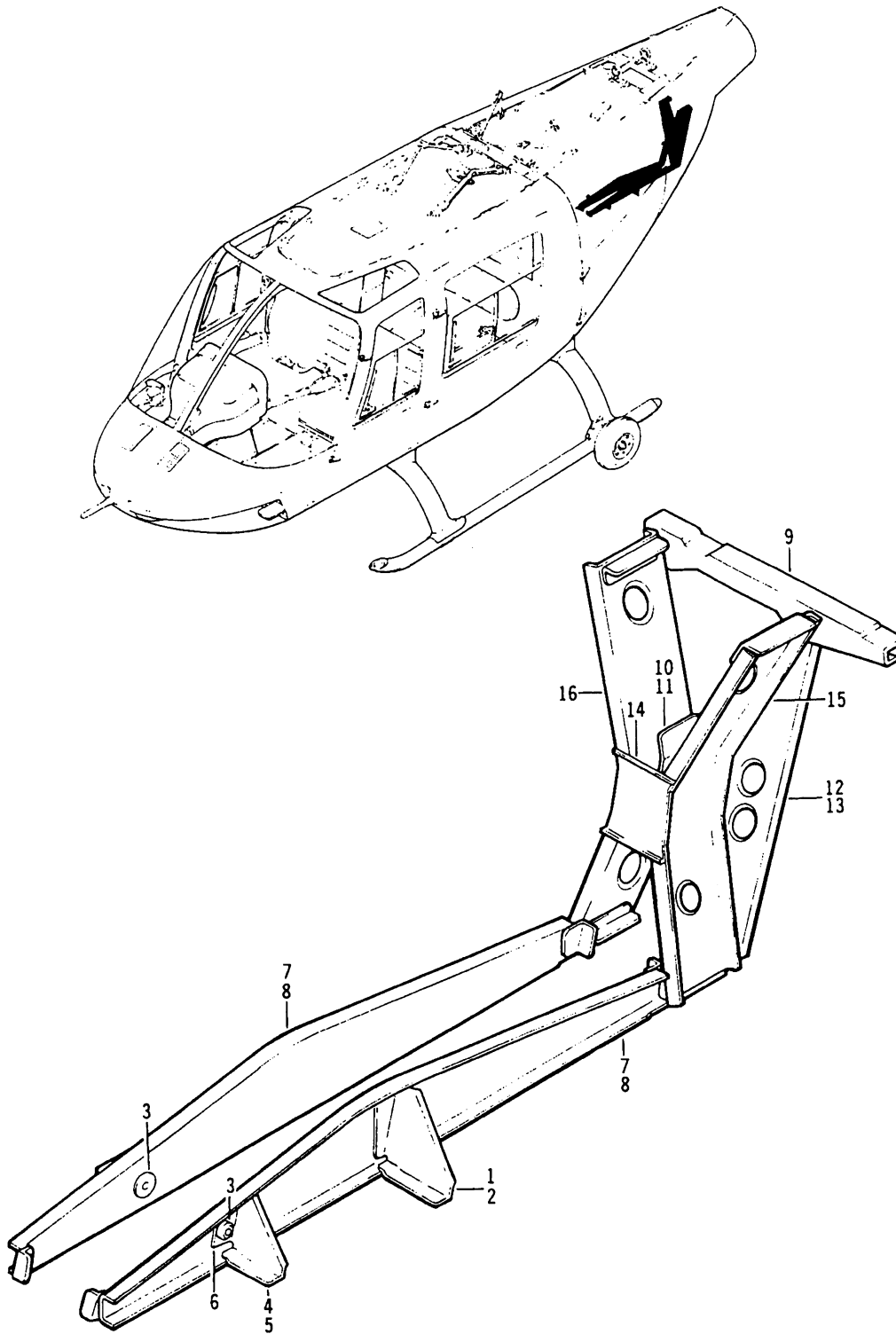
206A/B/B3-53-1021-2
C0000

Figure 53-27. Longeron; web, station 130.00 to station 192.84; panel, baggage compartment and cover installations (Sheet 2)

(1) INDEX NUMBER	(2) PART NUMBER	(3) ITEM NAME	(4) UNIT PER ASSY	(5) A V A I L	(6) U O C
		FIGURE: 53-27. Longeron; web, station 130.00 to station 192.84; panel, baggage compartment and cover installations			
	206-031-319-001	LONGERON INSTL, CENTER, LH	1		
	206-031-319-002	LONGERON INSTL, CENTER, RH	1		
1	206-031-319-015	.LONGERON, LH	1	1	
1	206-031-319-016	.LONGERON, RH	1	1	
2	206-031-319-021	.SPLICE, LH	1	1	
2	206-031-319-022	.SPLICE, RH	1		
	206-031-319-003	LONGERON INSTL, CENTER	1		
	206-031-319-101	LONGERON INSTL, CENTER	1		
3	206-031-319-017	.LONGERON, LH	1		
4	206-031-319-018	.LONGERON, RH	1	0	C
4	206-031-319-115	.LONGERON, RH	1		F
5	206-031-319-023	.ANGLE	1		
6	206-031-319-025	.ANGLE (REPLACED BY 206-032-319-025)	1		
6	206-032-319-025	.STIFFENER (REPLACES 206-031-319-025)	1		
7	206-031-319-027	.WEB	1		
8	206-031-327-001	.FITTING, LH (REPLACED BY 206-031-327-003)	1		
8	206-031-327-003	.FITTING, LH (REPLACES 206-031-327-001)	1		
9	206-031-327-002	.FITTING, RH (REPLACED BY 206-031-327-004)	1		
9	206-031-327-004	.FITTING, RH (REPLACES 206-031-327-002)	1		
	206-031-309-001	WEB INSTL, STA 130 TO 192.84	1		
	206-031-309-007	WEB INSTL, STA 130 TO 192.84	1		
	206-031-309-011	WEB INSTL, STA 130 TO 192.84	1		
	206-031-309-013	WEB INSTL, STA 130.00 TO 192.84	1		
	206-031-309-089	WEB INSTL, STA 130.00 TO 192.84	1		
	206-031-309-101	WEB INSTL, STA 130.00 TO 192.84	1		
10	AN960PD1716L	.WASHER (REPLACED BY AN960JD1716L)	1		
10	AN960JD1716L	.WASHER (REPLACES AN960PD1716L)	1		
11	AN960PD1216L	.WASHER (REPLACED BY AN960JD1216L)	2		
11	AN960JD1216L	.WASHER (REPLACES AN960PD1216L)	2		
12	AN960PD716L	.WASHER (REPLACED BY AN960JD716L)	1	1	
12	AN960JD716L	.WASHER (REPLACES AN960PD716L)	1	1	
13	NAS697A08	.NUTPLATE (REPLACED BY MS21069L08)	4	6	
13	MS21069L08	.NUTPLATE (REPLACES NAS697A08)	4	6	
14	NAS697A3	.NUTPLATE (REPLACED BY MS21069L3)	8		
14	MS21069L3	.NUTPLATE (REPLACES NAS697A3)	8		
15	206-031-309-017	.BRACKET	1	6	B
16	NAS686A3	.NUTPLATE (REPLACED BY MS21059L3)	6		E
16	MS21059L3	.NUTPLATE (REPLACES NAS686A3)	6		E
17	206-031-309-093	.SUPPORT	2		E
18	206-031-309-094	.SUPPORT	1		E
19	206-031-309-019	.ANGLE	1		C
20	206-031-309-020	.ANGLE	1		C
21	206-031-309-055	.WEB	1	0	C
21	206-031-309-103	.WEB	1	6	F
	206-031-309-115	WEB INSTL, STA 130.00 TO 192.84	1		
	206-031-339-001	PANEL INSTL, BAGGAGE COMPARTMENT	1		
	206-031-339-003	PANEL INSTL, BAGGAGE COMPARTMENT	1		
	206-031-339-101	PANEL INSTL, BAGGAGE COMPARTMENT	1		

(1) INDEX NUMBER	(2) PART NUMBER	(3) ITEM NAME	(4) UNIT PER ASSY	(5) A V A I L	(6) U O C
		FIGURE: 53-27. Longeron; web, station 130.00 to station 192.84; panel, baggage compartment and cover installations (Cont'd)			
22	MS27039-0804	.SCREW	5	1	
22A	AN960PD10L	.WASHER (REPLACED BY AN960JD10L)	15		C
22A	AN960JD10L	.WASHER (REPLACES AN960PD10L)	15		C
23	AN960PD8L	.WASHER (REPLACED BY AN960JD8L)	5		F
23	AN960JD8L	.WASHER (REPLACES AN960PD8L)	5		F
24	MS27039-0805	.SCREW	10	1	
25	AN960PD8L	.WASHER (REPLACED BY AN960JD8L)	10		F
25	AN960JD8L	.WASHER (REPLACES AN960PD8L)	10		F
25A	NAS697A08K	.NUTPLATE (REPLACED BY MS21069L08K)	3		C
25A	MS21069L08K	.NUTPLATE (REPLACES NAS697A08K)	3		C
25B	NAS697A08	.NUTPLATE (REPLACED BY MS21069L08)	3	6	C
25B	MS21069L08	.NUTPLATE (REPLACES NAS697A08)	3	6	C
26	NAS697A08K	.NUTPLATE (REPLACED BY MS21069L08K)	6		F
26	MS21069L08K	.NUTPLATE (REPLACES NAS697A08K)	6		F
26A	206-031-339-015	.PANEL	1	1	C
27	206-031-339-103	.PANEL	1		F
	206-031-342-001	COVER INSTL, ACCESS HOLE	1		A
	206-031-342-005	COVER INSTL, ACCESS HOLE	1		D
28	MS27039-0805	.SCREW	1	1	A
28	MS27039-0806	.SCREW	10	1	D
29	AN960PD8L	.WASHER (REPLACED BY AN960JD8L)	10		
29	AN960JD8L	.WASHER (REPLACES AN960PD8L)	10		
30	NAS697A08	.NUTPLATE (REPLACED BY MS21069L08)	4	6	
30	MS21069L08	.NUTPLATE (REPLACES NAS697A08)	4	6	
31	NAS697A08K	.NUTPLATE (REPLACED BY MS21069L08K)	6		
31	MS21069L08K	.NUTPLATE (REPLACES NAS697A08K)	6		
32	206-031-342-001	.COVER INSTL	1		A
32	206-031-342-007	.COVER ASSY	1	1	D
33	206-031-342-009	..SEAL	1	0	D
34	206-031-342-003	..COVER ASSY	1		
	206-031-340-001	BULKHEAD INSTL	1		
	206-031-340-003	BULKHEAD INSTL	1		
35	MS27039-0806	.SCREW	8	1	
36	AN960PD8L	.WASHER (REPLACED BY AN960JD8L)	8		
36	AN960JD8L	.WASHER (REPLACES AN960PD8L)	8		
37	MS21069L08	.NUTPLATE	8	1	
38	206-031-340-009	.BULKHEAD ASSY	1	1	

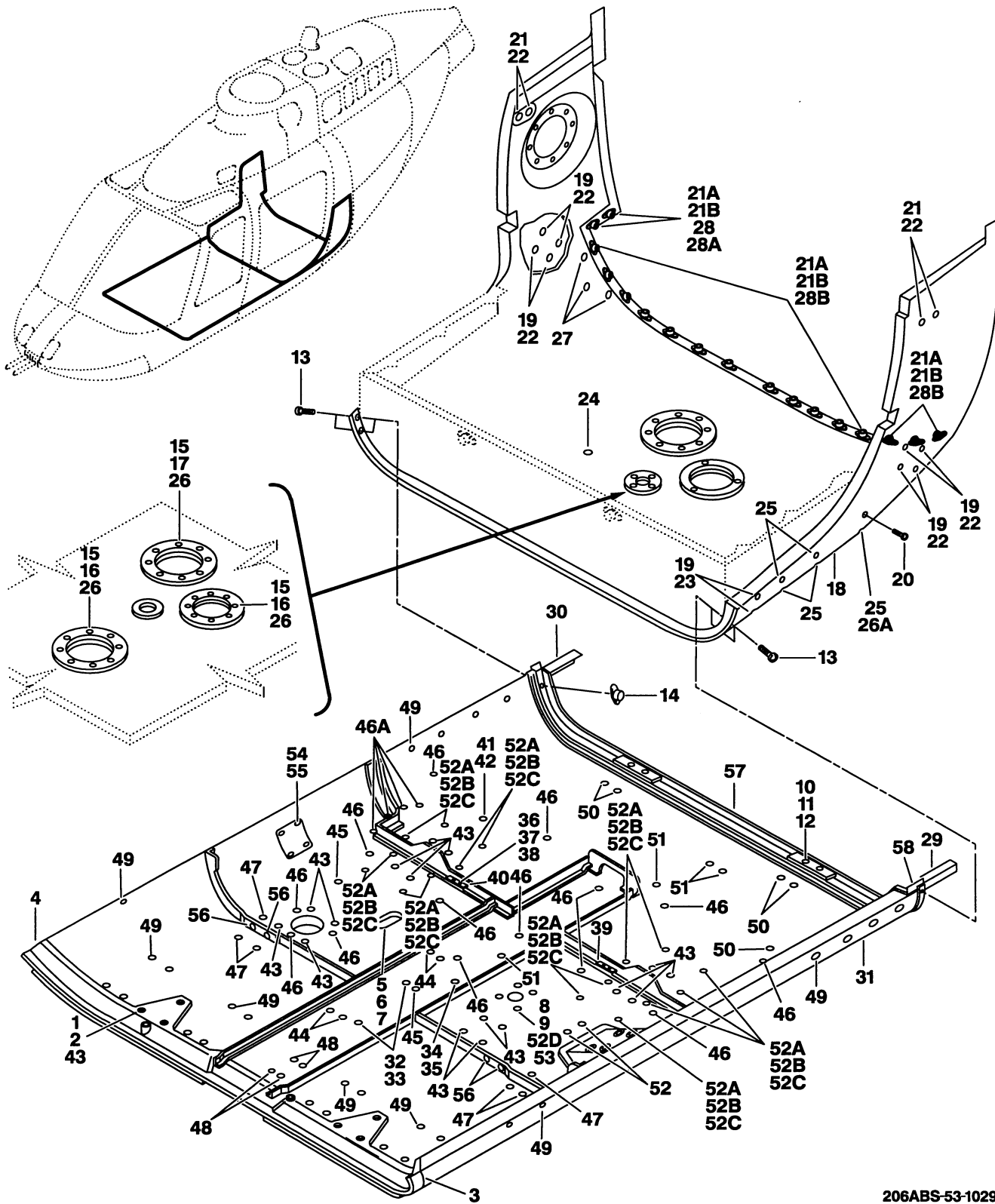
(1) INDEX NUMBER	(2) PART NUMBER	(3) ITEM NAME	(4) UNIT PER ASSY	(5) A V A I L	(6) U O C																					
		<p>FIGURE: 53-27. Longeron; web, station 130.00 to station 192.84; panel, baggage compartment and cover installations (Cont'd)</p> <p style="text-align: center;">USABLE ON CODES</p> <table border="0" style="width: 100%;"> <thead> <tr> <th style="text-align: left;">CODE</th> <th style="text-align: left;">MODEL</th> <th style="text-align: left;">SERIAL NUMBER</th> </tr> </thead> <tbody> <tr> <td>A</td> <td>206A</td> <td>4-103</td> </tr> <tr> <td>B</td> <td>206A</td> <td>4-583</td> </tr> <tr> <td>C</td> <td>206A/B/BIII</td> <td>4-3566</td> </tr> <tr> <td>D</td> <td>206A/B/BIII</td> <td>104-SUB</td> </tr> <tr> <td>E</td> <td>206A/B/BIII</td> <td>584-SUB</td> </tr> <tr> <td>F</td> <td>206BIII</td> <td>3567-SUB</td> </tr> </tbody> </table> <p>1) UNLESS A USABLE ON PART NUMBER IS LISTED IN THE ITEM NAME COLUMN; NO CODE INDICATES THE PART APPLIES TO ALL SERIAL NUMBERS.</p> <p>2) IF THE SERIAL NUMBER IS BLANK THE PART APPLIES TO ALL SERIAL NUMBERS FOR THAT MODEL.</p>	CODE	MODEL	SERIAL NUMBER	A	206A	4-103	B	206A	4-583	C	206A/B/BIII	4-3566	D	206A/B/BIII	104-SUB	E	206A/B/BIII	584-SUB	F	206BIII	3567-SUB			
CODE	MODEL	SERIAL NUMBER																								
A	206A	4-103																								
B	206A	4-583																								
C	206A/B/BIII	4-3566																								
D	206A/B/BIII	104-SUB																								
E	206A/B/BIII	584-SUB																								
F	206BIII	3567-SUB																								



206A/B/B3-53-1023
C0000

Figure 53-28. Support installation, anti-torque controls

(1) INDEX NUMBER	(2) PART NUMBER	(3) ITEM NAME	(4) UNIT PER ASSY	(5) A V A I L	(6) U O C
		FIGURE: 53-28. Support installation, anti-torque controls			
	206-031-331-005	SUPPORT INSTL, ANTI-TORQUE CONTROLS	1		
	206-031-331-007	SUPPORT INSTL, ANTI-TORQUE CONTROLS	1		
	206-031-331-009	SUPPORT INSTL, ANTI-TORQUE CONTROLS	1		
1	206-031-331-049	.GUSSET, LH	1	0	
2	206-031-331-050	.GUSSET, RH	1	0	
3	20-006B16-16-16	.BUSHING	2	1	C
4	206-031-331-057	.GUSSET, LH	1	1	C
5	206-031-331-058	.GUSSET, RH	1	1	C
6	206-031-331-061	.RADIUS BLOCK	2	1	C
7	206-031-331-047	.CHANNEL, LH (REPLACED BY 206-031-331-059)	1	0	A
7	206-031-331-059	.CHANNEL, LH (REPLACES 206-031-331-047)	1		
8	206-031-331-048	.CHANNEL, RH (REPLACED BY 206-031-331-060)	1	0	A
8	206-031-331-060	.CHANNEL, RH (REPLACES 206-031-331-048)	1		
9	206-031-331-053	.STIFFENER	1	1	B
10	206-031-331-045	.PLATE, LH	1		
11	206-031-331-046	.PLATE, RH	1		
12	206-031-331-051	.WEB, LH	1		
13	206-031-331-052	.WEB, RH	1		
14	206-031-331-021	.WEB	1	6	
15	206-031-331-017	.CHANNEL	1		
16	206-031-331-018	.CHANNEL	1		
		USABLE ON CODES			
		CODE MODEL SERIAL NUMBER			
		A 206A 4-497			
		B 206A/B/BIII 254-SUB			
		C 206A/B/BIII 498-SUB			
		1) UNLESS A USABLE ON PART NUMBER IS LISTED IN THE ITEM NAME COLUMN; NO CODE INDICATES THE PART APPLIES TO ALL SERIAL NUMBERS.			
		2) IF THE SERIAL NUMBER IS BLANK THE PART APPLIES TO ALL SERIAL NUMBERS FOR THAT MODEL.			



206ABS-53-1029
C0000

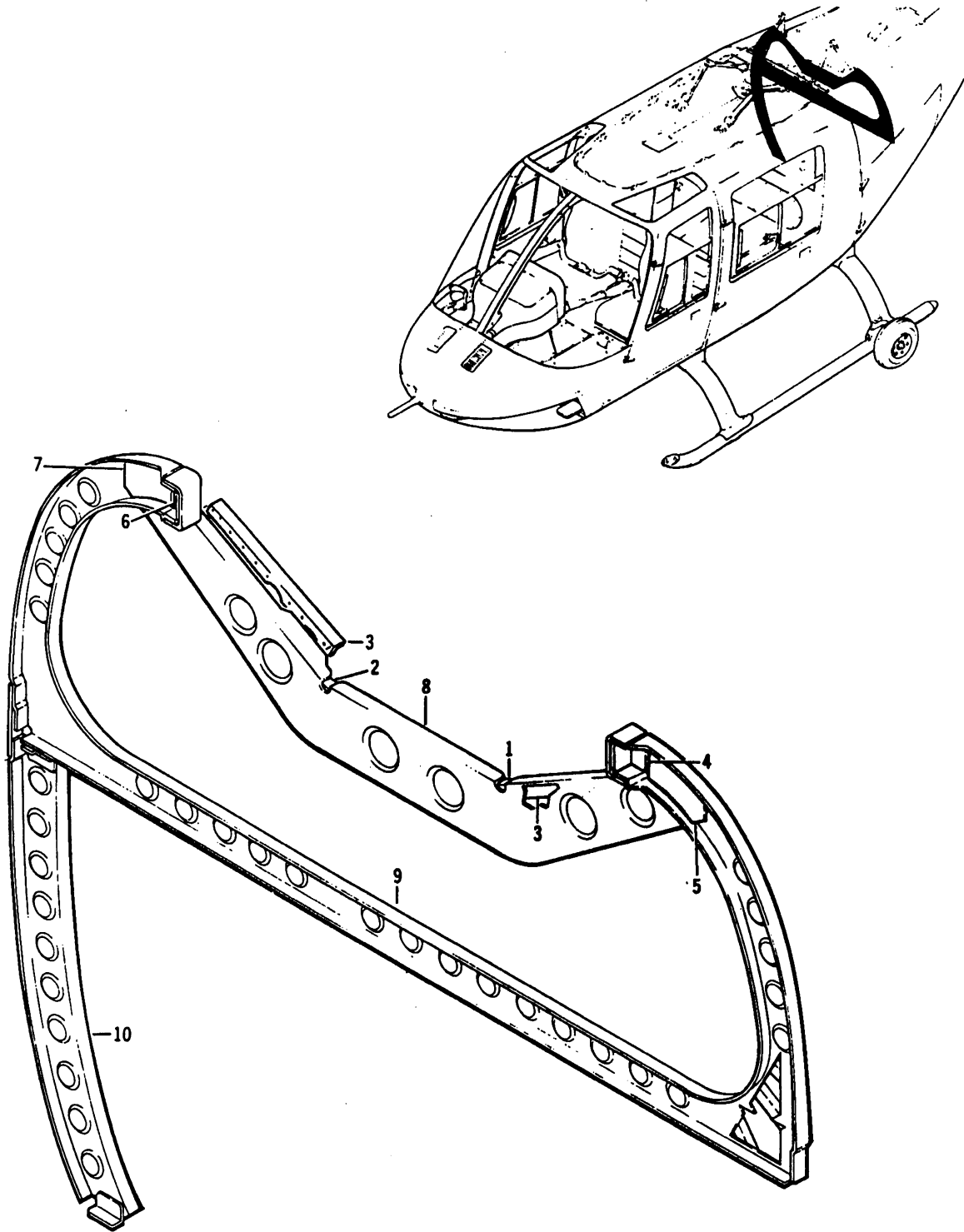
Figure 53-29. Shell assembly, lower

(1) INDEX NUMBER	(2) PART NUMBER	(3) ITEM NAME	(4) UNIT PER ASSY	(5) A V A I L	(6) U O C
		FIGURE: 53-29. Shell assembly, lower			
	206-031-100-009	SHELL ASSY, LOWER	1		A
	206-031-100-019	SHELL ASSY, LOWER (REPLACED BY 206-031-100-245) . .	1		B
	206-031-100-017	SHELL ASSY, LOWER (REPLACED BY 206-031-100-245) . .	1		C
	206-031-100-245	SHELL ASSY, LOWER (REPLACES 206-031-100-017 AND . . -019)	1		D
	206-031-100-249	SHELL ASSY, LOWER	1		E
	206-031-100-273	SHELL ASSY, LOWER	1	0	F
	206-031-100-279	SHELL ASSY, LOWER	1	0	M
	206-031-100-319	SHELL ASSY, LOWER	1		N
	206-031-100-305	SHELL ASSY, LOWER	1	0	Q
	206-031-100-331	SHELL ASSY, LOWER	1	0	S
	206-031-100-351	SHELL ASSY, LOWER (REPLACED BY 206-031-100-391) . .	1	0	U
	206-031-100-391	SHELL ASSY, LOWER (REPLACES 206-031-100-351)	1	0	U
	206-031-100-405	SHELL ASSY, LOWER	1		V
	206-031-100-419	SHELL ASSY, LOWER	1		X
1	MS27039DD4-08	.SCREW	6	1	
2	AN960PD416L	.WASHER (REPLACED BY AN960JD416L)	6		
2	AN960JD416L	.WASHER (REPLACES AN960PD416L) (REPLACED BY NAS1149D0416J)	6	1	
2	NAS1149D0416J	.WASHER (REPLACES AN960JD416L)	6	1	
3	206-031-100-127	.DOUBLER, LH	1		
4	206-031-100-128	.DOUBLER, RH	1		
5	MS21042L08	.NUT	2	1	
6	AN960PD8L	.WASHER (REPLACED BY AN960JD8L)	2		
6	AN960JD8L	.WASHER (REPLACES AN960PD8L) (REPLACED BY NAS1149DN816J)	2	1	
6	NAS1149DN816J	.WASHER (REPLACES AN960JD8L)	2		
7	MS27039-0805	.SCREW	2	1	GUV
8	MS27039-0806	.SCREW	4	1	
9	AN960PD8L	.WASHER (REPLACED BY AN960JD8L)	4		
9	AN960JD8L	.WASHER (REPLACES AN960PD8L) (REPLACED BY NAS1149DN816J)	4	1	
9	NAS1149DN816J	.WASHER (REPLACES AN960JD8L)	4		
10	90-003-40	.NUT	4	1	
11	AN960PD416L	.WASHER (REPLACED BY AN960JD416L)	4		
11	AN960JD416L	.WASHER (REPLACES AN960PD416L) (REPLACED BY NAS1149D0416J)	4	1	
11	NAS1149D0416J	.WASHER (REPLACES AN960JD416L)	4	1	
12	MS27039-4-08	.SCREW	4	1	
13	MS27039-4-06	.SCREW	4	1	
14	M14700-048	.NUTPLATE	4		
15	AN525-10R7	.SCREW	24	1	
16	206-031-100-381	.COVER	2		
17	206-031-100-383	.COVER	1		
18	206-031-100-013	.SHELL ASSY, AFT	1		AC
18	206-031-100-247	.SHELL ASSY, AFT	1	0	DE
18	206-031-100-271	.SHELL ASSY, AFT	1		F
18	206-031-100-283	.SHELL ASSY, AFT	1		K
18	206-031-100-321	.SHELL ASSY, AFT	1	0	P
18	206-031-100-307	.SHELL ASSY, AFT	1		R

(1) INDEX NUMBER	(2) PART NUMBER	(3) ITEM NAME	(4) UNIT PER ASSY	(5) A V A I L	(6) U O C
		FIGURE: 53-29. Shell assembly, lower (Cont'd)			
18	206-031-100-353	.SHELL ASSY, AFT	1		U
18	206-031-100-409	.SHELL ASSY, AFT	1		W
19	MS27039-4-06	..SCREW	12	1	
20	MS27039-1-06	..SCREW	2	1	
21	MS27039-4-07	..SCREW	4	1	G
21A	MS27039-1-06	..SCREW	19	1	W
21B	NAS1149D0316K	..WASHER	19	1	W
22	80-005-3-12	..INSERT	12	1	G
23	80-005-3-12	..INSERT	4	1	
24	80-004-2-12	..INSERT	1	1	
25	80-005-2-12	..INSERT	10	1	G
26	80-005-2-12	..INSERT	24	1	
26A	80-005-2-12	..INSERT	2	1	W
27	80-004-2-12	..INSERT	6	1	GU
28	NAS697A3	..NUTPLATE (REPLACED BY MS21069L3)	4		GU
28	MS21069L3	..NUTPLATE (REPLACES NAS697A3)	4	1	GU
28A	MS21059L3	..NUTPLATE	4	1	W
28B	NAS1474S3	..NUTPLATE	15	1	W
29	206-031-100-189	.STIFFENER, LH (REPLACED BY 206-031-100-385 AND . . -403)	1		
29	206-031-100-385	.STIFFENER, LH (REPLACES 206-031-100-189) (REPLACED BY 206-031-100-403)	1	0	
29	206-031-100-403	.STIFFENER, LH (REPLACES 206-031-100-189 AND -385)	1	0	
30	206-031-100-190	.STIFFENER, RH (REPLACED BY 206-031-100-386 AND . . -404)	1		
30	206-031-100-386	.STIFFENER, RH (REPLACES 206-031-100-190) (REPLACED BY 206-031-100-404)	1	0	
30	206-031-100-404	.STIFFENER, RH (REPLACES 206-031-100-190 AND -386)	1		
31	206-031-100-011	.SHELL ASSY, FWD	1		A
31	206-031-100-053	.SHELL ASSY, FWD	1		C
31	206-031-100-015	.SHELL ASSY, FWD (REPLACED BY 206-031-100-393)	1	0	D
31	206-031-100-251	.SHELL ASSY, FWD (REPLACES 206-031-100-373)	1	0	EF
31	206-031-100-281	.SHELL ASSY, FWD	1		L
31	206-031-100-333	.SHELL ASSY, FWD	1	6	S
31	206-031-100-373	.SHELL ASSY, FWD (REPLACED BY 206-031-100-393)	1		U
31	206-031-100-393	.SHELL ASSY, FWD (REPLACES 206-031-100-373)	1	0	U
31	206-031-100-407	.SHELL ASSY, FWD	1		V
31	206-031-100-417	.SHELL ASSY, FWD	1		X
32	SMG524D2A	..GROMMET (REPLACED BY SMG-5D2A)	2	6	J
32	SMG-5D2A	..GROMMET	2		J
33	SM524D13A	..SPACER	2		J
34	SS48172K2215	..PLUG BUTTON (REPLACED BY 100-046S40B1)	1		G
34	100-046S40B1	..PLUG BUTTON (REPLACES SS48172K2215)	1	1	G
35	AN960PD1016L	..WASHER (REPLACED BY AN960JD1016L)	1		U
35	AN960JD1016L	..WASHER (REPLACES AN960PD1016L) (REPLACED BY NAS1149D1016J)	1	1	U
35	NAS1149D1016J	..WASHER (REPLACES AN960JD1016L)	1		U
36	MS21042-4	..NUT (REPLACED BY MS21042L4)	4		H

(1) INDEX NUMBER	(2) PART NUMBER	(3) ITEM NAME	(4) UNIT PER ASSY	(5) A V A I L	(6) U O C
FIGURE: 53-29. Shell assembly, lower (Cont'd)					
36	MS21042L4	..NUT (REPLACES MS21042-4)	4	1	H
37	AN960PD416	..WASHER (REPLACED BY AN960JD416)	16		H
37	AN960JD416	..WASHER (REPLACES AN960PD416) (REPLACED BY NAS1149D0463J)	16		H
37	NAS1149D0463J	..WASHER (REPLACES AN960JD416)	16		H
38	AN4-16A	..BOLT	4	1	H
39	206-070-558-001	..BLOCK	1	1	H
40	206-070-558-002	..BLOCK	1	1	H
41	P102D25-1	..PLUG	4		H
42	S102D25-16	..SLEEVE (REPLACED BY 80-011-S12D16-0)	4		H
42	80-011-S12D16-0	..SLEEVE (REPLACES S102D25-16)	4	1	H
43	1854	..INSERT (REPLACED BY 80-007-16-4A)	22		
43	80-007-16-4A	..INSERT (REPLACES 1854)	22	1	
44	80-004-1-12	..INSERT	4	1	
45	80-004-1-8	..INSERT	2	1	
46	80-004-2-12	..INSERT	14	1	GU
46A	80-004-2-12	..INSERT	8	1	
47	80-004-3C12	..INSERT	6		GU
48	80-005-1-12	..INSERT	4	1	T
49	80-005-2-8	..INSERT	28	1	
50	80-007-16-3	..INSERT	4	1	
51	80-004-2-12	..INSERT	4	1	GU
52	80-005-2-12	..INSERT	2	1	
52A	MS27039-1-06	..SCREW	16	1	W
52B	NAS1149D0316K	..WASHER	16	1	W
52C	80-005-2-12	..INSERT	16	1	W
52D	MS27039-0805	..SCREW	4	1	X
53	80-005-1B12	..INSERT	4	1	SUV
53	NAS1835A08M	..INSERT	4		X
54	MS27039-4-13	..SCREW	8	1	
55	80-007-16-4A	..INSERT	8	1	
56	NAS697A08	..NUTPLATE (REPLACED BY MS21069L08)	4	6	
56	MS21069L08	..NUTPLATE (REPLACES NAS697A08)	4	1	
57	206-031-100-297	..SUPPORT	1	0	
58	206-031-100-175	..RADIUS BLOCK	4	6	

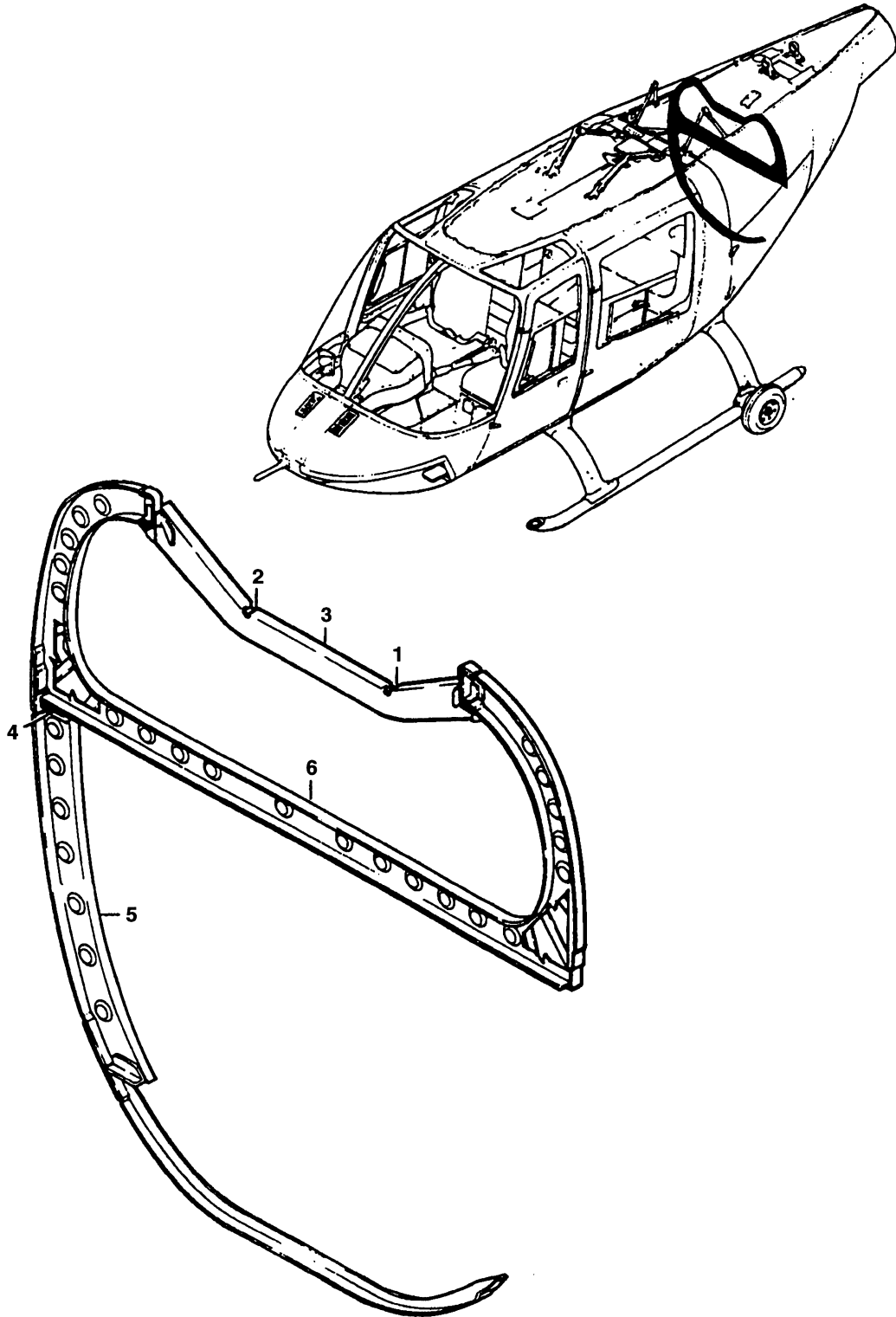
(1) INDEX NUMBER	(2) PART NUMBER	(3) ITEM NAME	(4) UNIT PER ASSY	(5) A V A I L	(6) U O C																																																																					
		<p>FIGURE: 53-29. Shell assembly, lower (Cont'd)</p> <p style="text-align: center;">USABLE ON CODES</p> <table border="0"> <thead> <tr> <th style="text-align: left;">CODE</th> <th style="text-align: left;">MODEL</th> <th style="text-align: left;">SERIAL NUMBER</th> </tr> </thead> <tbody> <tr><td>A</td><td>206A</td><td>4-103</td></tr> <tr><td>B</td><td>206A</td><td>104-153</td></tr> <tr><td>C</td><td>206A</td><td>104-253</td></tr> <tr><td>D</td><td>206A</td><td>154-253</td></tr> <tr><td>E</td><td>206A</td><td>254-583</td></tr> <tr><td>F</td><td>206A/B</td><td>584-913</td></tr> <tr><td>G</td><td>206A/B/BIII</td><td>4-3566</td></tr> <tr><td>H</td><td>206A/B/BIII</td><td>154-SUB</td></tr> <tr><td>J</td><td>206A/B/BIII</td><td>154-3216</td></tr> <tr><td>K</td><td>206B</td><td>914-1163</td></tr> <tr><td>L</td><td>206B/BIII</td><td>914-3216</td></tr> <tr><td>M</td><td>206B/BIII</td><td>914-1163, 1252-1413</td></tr> <tr><td>N</td><td>206B/BIII</td><td>1164-1251, 1414-1488</td></tr> <tr><td>P</td><td>206B/BIII</td><td>1164-1488</td></tr> <tr><td>Q</td><td>206B/BIII</td><td>1489-2211</td></tr> <tr><td>R</td><td>206B/BIII</td><td>1489-3566</td></tr> <tr><td>S</td><td>206BIII</td><td>3217-3566</td></tr> <tr><td>T</td><td>206BIII</td><td>2212-3216</td></tr> <tr><td>U</td><td>206BIII</td><td>3567-4359</td></tr> <tr><td>V</td><td>206BIII</td><td>4360-4421</td></tr> <tr><td>W</td><td>206BIII</td><td>4360-SUB</td></tr> <tr><td>X</td><td>206BIII</td><td>4422-SUB</td></tr> </tbody> </table> <p>1) UNLESS A USABLE ON PART NUMBER IS LISTED IN THE ITEM NAME COLUMN; NO CODE INDICATES THE PART APPLIES TO ALL SERIAL NUMBERS.</p> <p>2) IF THE SERIAL NUMBER IS BLANK THE PART APPLIES TO ALL SERIAL NUMBERS FOR THAT MODEL.</p>	CODE	MODEL	SERIAL NUMBER	A	206A	4-103	B	206A	104-153	C	206A	104-253	D	206A	154-253	E	206A	254-583	F	206A/B	584-913	G	206A/B/BIII	4-3566	H	206A/B/BIII	154-SUB	J	206A/B/BIII	154-3216	K	206B	914-1163	L	206B/BIII	914-3216	M	206B/BIII	914-1163, 1252-1413	N	206B/BIII	1164-1251, 1414-1488	P	206B/BIII	1164-1488	Q	206B/BIII	1489-2211	R	206B/BIII	1489-3566	S	206BIII	3217-3566	T	206BIII	2212-3216	U	206BIII	3567-4359	V	206BIII	4360-4421	W	206BIII	4360-SUB	X	206BIII	4422-SUB			
CODE	MODEL	SERIAL NUMBER																																																																								
A	206A	4-103																																																																								
B	206A	104-153																																																																								
C	206A	104-253																																																																								
D	206A	154-253																																																																								
E	206A	254-583																																																																								
F	206A/B	584-913																																																																								
G	206A/B/BIII	4-3566																																																																								
H	206A/B/BIII	154-SUB																																																																								
J	206A/B/BIII	154-3216																																																																								
K	206B	914-1163																																																																								
L	206B/BIII	914-3216																																																																								
M	206B/BIII	914-1163, 1252-1413																																																																								
N	206B/BIII	1164-1251, 1414-1488																																																																								
P	206B/BIII	1164-1488																																																																								
Q	206B/BIII	1489-2211																																																																								
R	206B/BIII	1489-3566																																																																								
S	206BIII	3217-3566																																																																								
T	206BIII	2212-3216																																																																								
U	206BIII	3567-4359																																																																								
V	206BIII	4360-4421																																																																								
W	206BIII	4360-SUB																																																																								
X	206BIII	4422-SUB																																																																								



206A/B/B3-53-1025
C0000

Figure 53-30. Frame installation, station 142.33

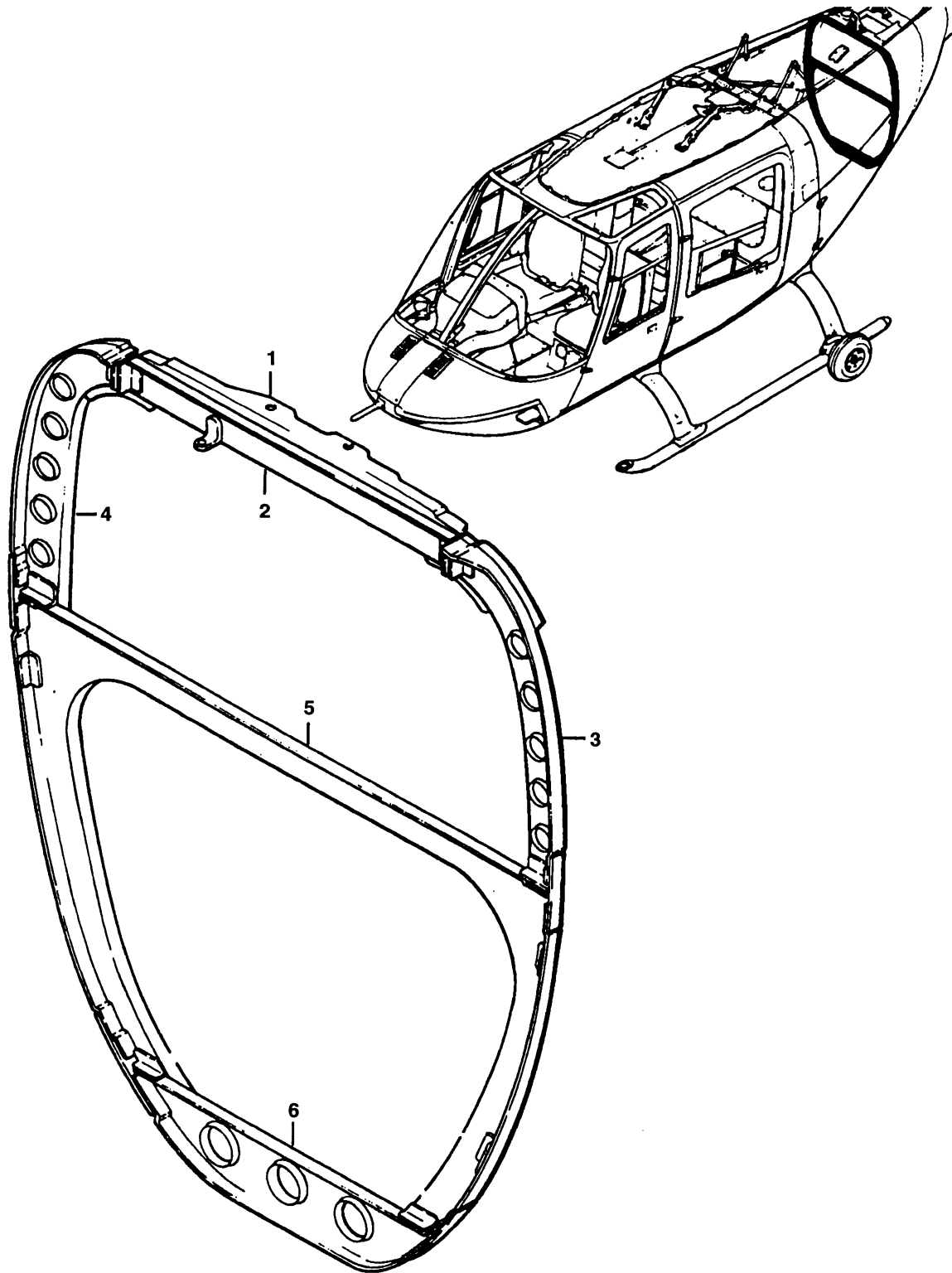
(1) INDEX NUMBER	(2) PART NUMBER	(3) ITEM NAME	(4) UNIT PER ASSY	(5) A V A I L	(6) U O C
		FIGURE: 53-30. Frame installation, station 142.33			
	206-031-303-001	FRAME INSTL, STA 142.33	1		
	206-031-303-033	FRAME INSTL, STA 142.33	1		
	206-031-303-039	FRAME INSTL, STA 142.33	1		
	206-031-303-043	FRAME INSTL, STA 142.33	1		
1	206-031-303-015	.CLIP, LH	1	1	
2	206-031-303-016	.CLIP, RH	1		
3	206-031-303-037	.ANGLE (REPLACED BY 206-031-303-047)	1		
3	206-031-303-047	.ANGLE (REPLACES 206-031-303-037)	1	1	
4	206-031-337-001	.FITTING, LH (PRE TB 206-79-29 S/N 4 THRU 1033) . . .	1		
4	206-031-377-001	.FITTING, LH (PRE TB 206-079-29 S/N 1034 THRU 2211)	1		
5	206-031-266-001	.FITTING, LH (POST TB 206-79-29)	1	1	
6	206-031-377-002	.FITTING, RH (PRE TB 206-79-29 S/N 4 THRU 1033) . . .	1		
7	206-031-266-002	.FITTING, RH (POST TB 206-79-29 S/N 4 THRU 2211) . .	1	1	
8	206-031-303-005	.FRAME (REPLACED BY 206-031-303-045)	1	0	
8	206-031-303-035	.FRAME (REPLACED BY 206-031-303-045)	1	0	
8	206-031-303-045	.FRAME (REPLACES 206-031-303-005 AND -035)	1		
9	206-031-303-031	.FRAME (REPLACED BY 206-031-303-049)	1		
9	206-031-303-041	.FRAME (REPLACED BY 206-031-303-049)	1	0	
9	206-031-303-049	.FRAME (REPLACES 206-031-303-031 AND -041)	1		
10	206-031-303-027	.FRAME	1		



206A/B/B3-53-1026
C0000

Figure 53-31. Frame installation, station 154.66

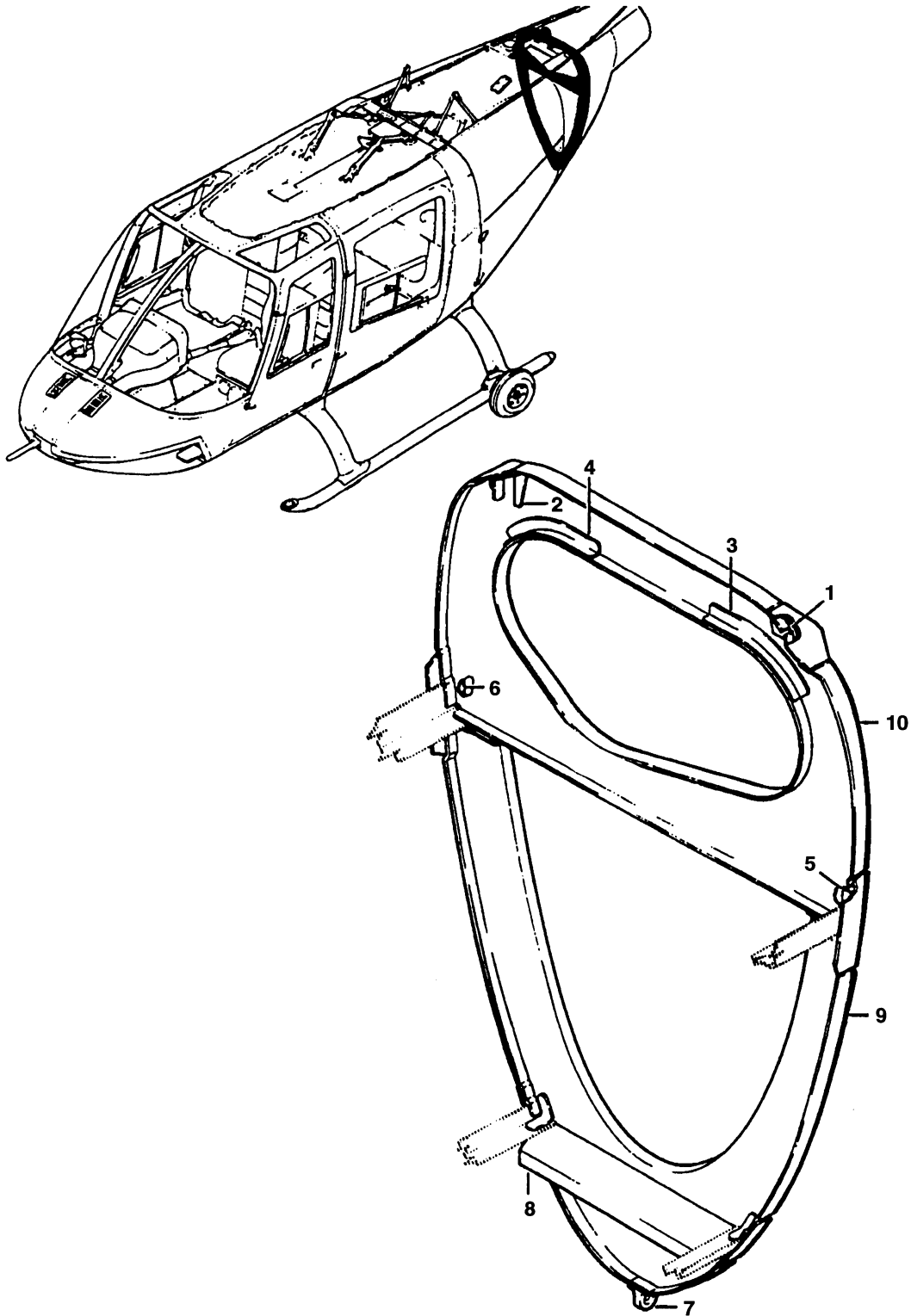
(1) INDEX NUMBER	(2) PART NUMBER	(3) ITEM NAME	(4) UNIT PER ASSY	(5) A V A I L	(6) U O C
		FIGURE: 53-31. Frame installation, station 154.66			
	206-031-304-001	FRAME INSTL, STA 154.66	1		
1	206-031-304-011	.CLIP, LH	1	1	
2	206-031-304-012	.CLIP, RH	1	1	
3	206-031-304-007	.FRAME	1		
4	206-031-304-019	.CLIP	1	1	
5	206-031-304-033	.FRAME	1		
6	206-031-304-035	.FRAME	1		



206A/B/B3-53-1027
C0000

Figure 53-32. Frame installation, station 167.00

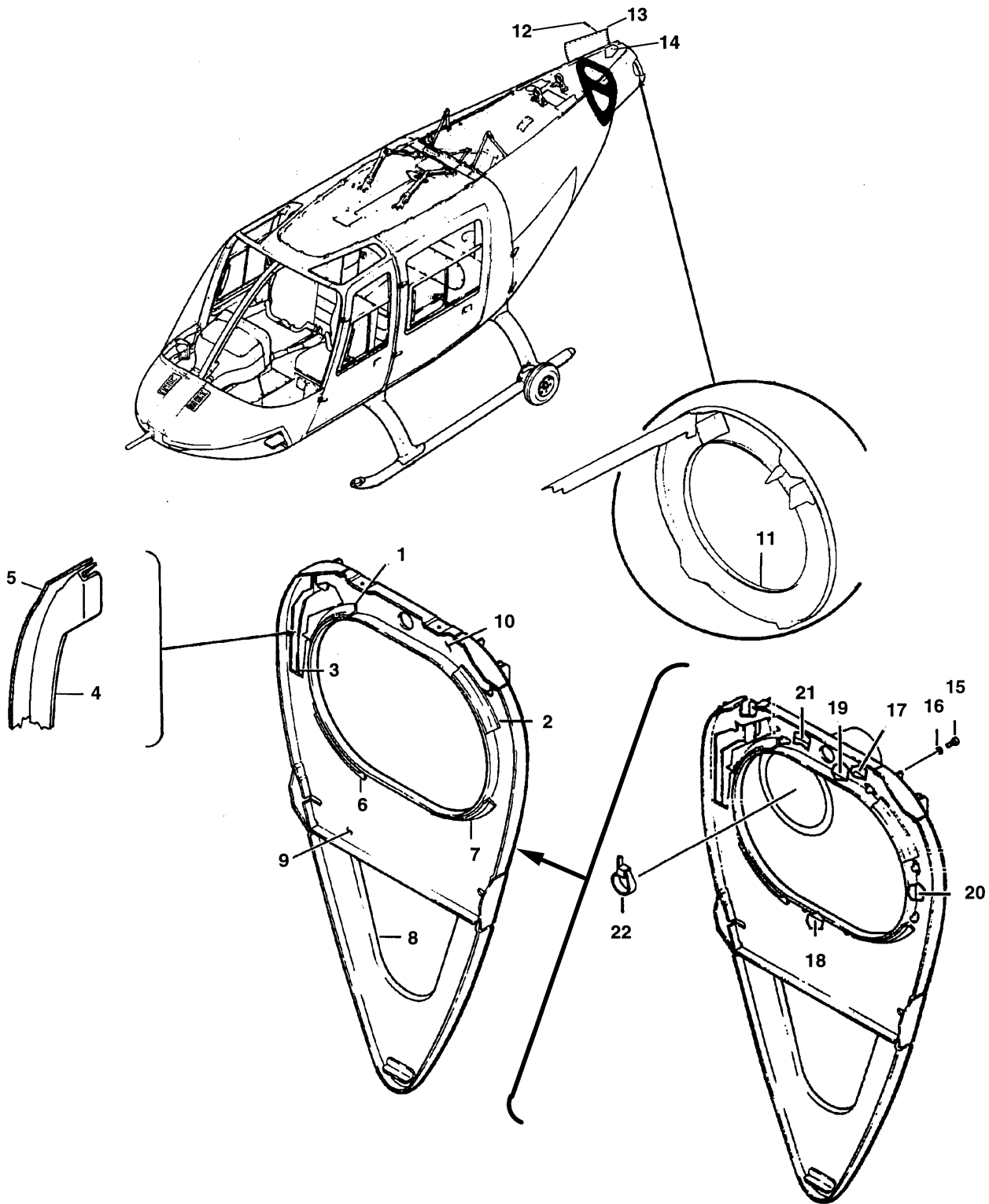
(1) INDEX NUMBER	(2) PART NUMBER	(3) ITEM NAME	(4) UNIT PER ASSY	(5) A V A I L	(6) U O C
		FIGURE: 53-32. Frame installation, station 167.00			
	206-031-305-001	FRAME INSTL, STA 167.00	1		
	206-031-305-101	FRAME INSTL, STA 167.00	1		
	206-031-305-103	FRAME INSTL, STA 167.00	1		
	206-031-305-105	FRAME INSTL, STA 167.00	1		
1	206-031-305-011	.ANGLE (USBL ON 206-031-305-001, -101 AND -103) . .	1		A
1	206-031-305-121	.ANGLE (USBL ON 206-031-305-105)	1		B
2	206-031-305-009	.ZEE	1		
3	206-031-305-045	.FRAME, LH (USBL ON 206-031-305-001, -101 AND -103)	1		A
3	206-031-305-125	.FRAME, LH (USBL ON 206-031-305-105)	1		B
4	206-031-305-046	.FRAME, RH (USBL ON 206-031-305-001, -101 AND -103)	1		A
4	206-031-305-126	.FRAME, RH (USBL ON 206-031-305-105)	1		B
5	206-031-305-057	.FRAME	1		
6	206-031-305-007	.FRAME	1	1	
		USABLE ON CODES			
		CODE MODEL SERIAL NUMBER			
		A 206A/B/BIII 4-4474			
		B 206A/B/BIII 4475-SUB			
		1) UNLESS A USABLE ON PART NUMBER IS LISTED IN THE ITEM NAME COLUMN; NO CODE INDICATES THE PART APPLIES TO ALL SERIAL NUMBERS.			
		2) IF THE SERIAL NUMBER IS BLANK THE PART APPLIES TO ALL SERIAL NUMBERS FOR THAT MODEL.			



206A/B/B3-53-1028
C0000

Figure 53-33. Frame installation, station 179.92

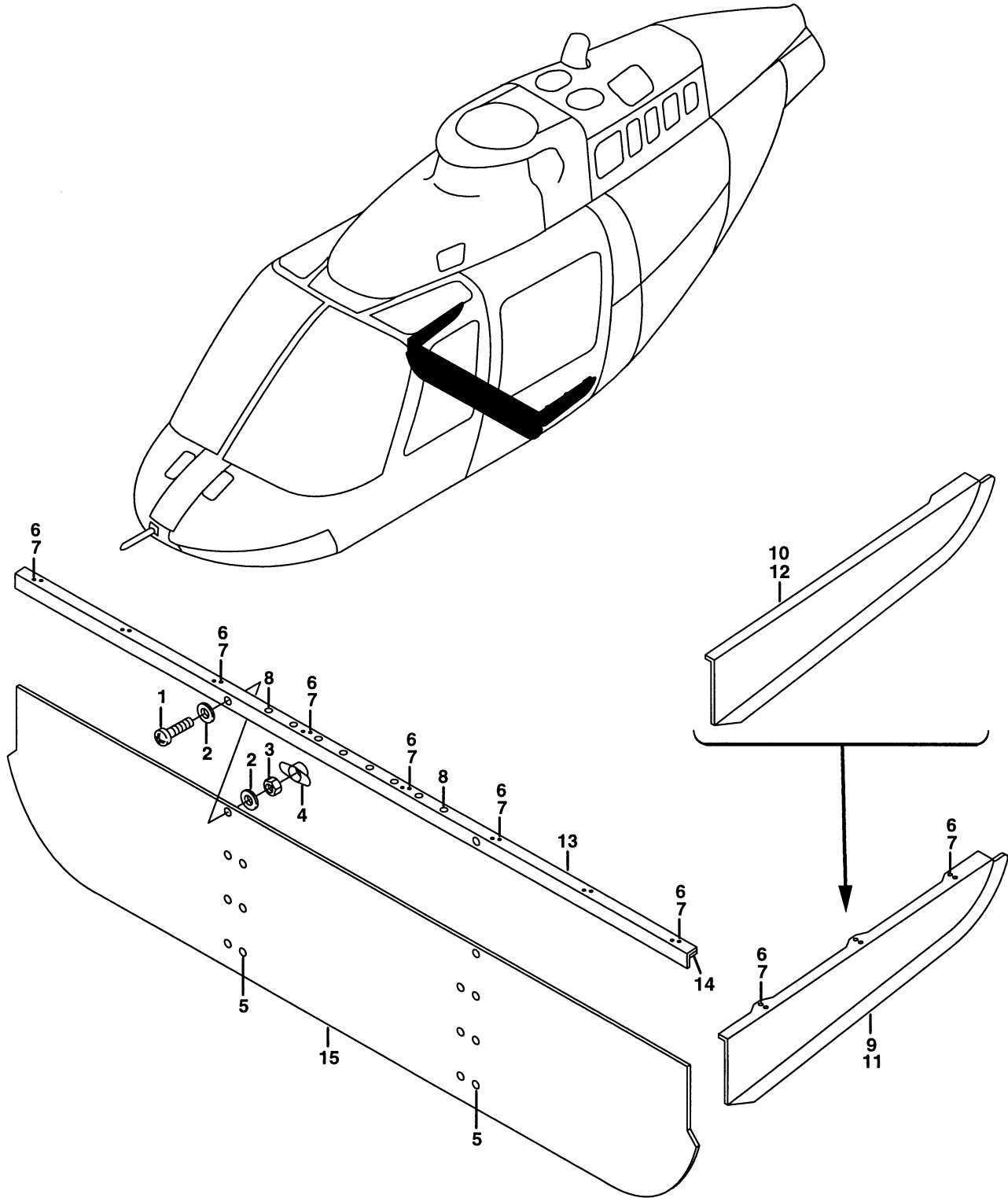
(1) INDEX NUMBER	(2) PART NUMBER	(3) ITEM NAME	(4) UNIT PER ASSY	(5) A V A I L	(6) U O C
		FIGURE: 53-33. Frame installation, station 179.92			
	206-031-306-001	FRAME INSTL, STA 179.92	1		
1	206-031-306-009	.CLIP, LH	1		
2	206-031-306-010	.CLIP, RH	1	1	
3	206-031-306-007	.ANGLE, LH	1	1	
4	206-031-306-008	.ANGLE, RH	1		
5	206-031-306-017	.CLIP, LH	1	1	
6	206-031-306-018	.CLIP, RH	1	1	
7	206-031-321-001	.FITTING	1		
8	206-031-306-025	.CHANNEL (REPLACED BY 206-032-306-031)	1		
8	206-032-306-031	.CHANNEL (REPLACES 206-031-306-025)	1	1	
9	206-031-306-037	.FRAME	1		
10	206-031-306-005	.FRAME	1		



206A/B/B3-53-1029
C0000

Figure 53-34. Frame, station 192.84;door tailboom access;cover,station 192.84 and frame,butt station 31.87 installation

(1) INDEX NUMBER	(2) PART NUMBER	(3) ITEM NAME	(4) UNIT PER ASSY	(5) A V A I L	(6) U O C
		FIGURE: 53-34. Frame, station 192.84;door tailboom access;cover,station 192.84 and frame,butt station 31.87 installation			
	206-031-307-001	FRAME INSTL, STA 192.84	1		
	206-031-307-031	FRAME INSTL, STA 192.84	1		
	206-031-307-105	FRAME INSTL, STA 192.84	1		
	206-031-307-107	FRAME INSTL, STA 192.84	1		
1	206-031-307-011	.ANGLE, LH	1		
2	206-031-307-012	.ANGLE, RH	1	6	
3	206-031-307-009	.ANGLE (NOTE 1) (REPLACED BY 206-031-307-103)	1	6	
4	206-031-307-103	.ANGLE (NOTE 1) (REPLACES 206-031-307-009)	1		
5	206-033-003-141	.SUPPORT (NOTE 1)	1	1	
6	206-031-307-013	.ANGLE, LH	1		
7	206-031-307-014	.ANGLE, RH	1		
8	206-031-307-005	.FRAME	1		
9	206-031-307-007	.FRAME	1		
10	206-031-307-033	.FRAME	1	1	
	206-031-308-001	FRAME INSTL, BUTT STATION 31.87	1		
11	206-031-308-015	.FRAME	1		
	206-032-328-001	DOOR INSTL, TAILBOOM ACCESS	1		
	206-032-328-103	DOOR INSTL, TAILBOOM ACCESS	1		
12	MS27039-1-05	.SCREW	27	1	
13	206-032-328-003	.DOOR ASSY	1		
14	MS21075L3	.NUTPLATE	27		
	206-031-634-105	COVER INSTL, STATION 192.84	1		
15	MS27039-1-09	.SCREW	8	1	
16	AN960PD10L	.WASHER (REPLACED BY AN960JD10L)	8		
16	AN960JD10L	.WASHER (REPLACES AN960PD10L) (REPLACED BY NAS1149D0332J)	8		
16	NAS1149D0332J	.WASHER (REPLACES AN960JD10L)	8		
17	206-031-634-120	.SPLICE	1	1	
18	206-031-634-119	.SPLICE	1	1	
19	206-031-634-103	.COVER	1	1	
20	206-031-634-122	.GASKET	1	1	
21	206-031-634-121	.GASKET	1	1	
22	MS3367-3-9	.STRAP	1	1	
		NOTE 1: USE 206-031-307-103 ANGLE AND 206-033-003-141 SUPPORT AS A UNIT			

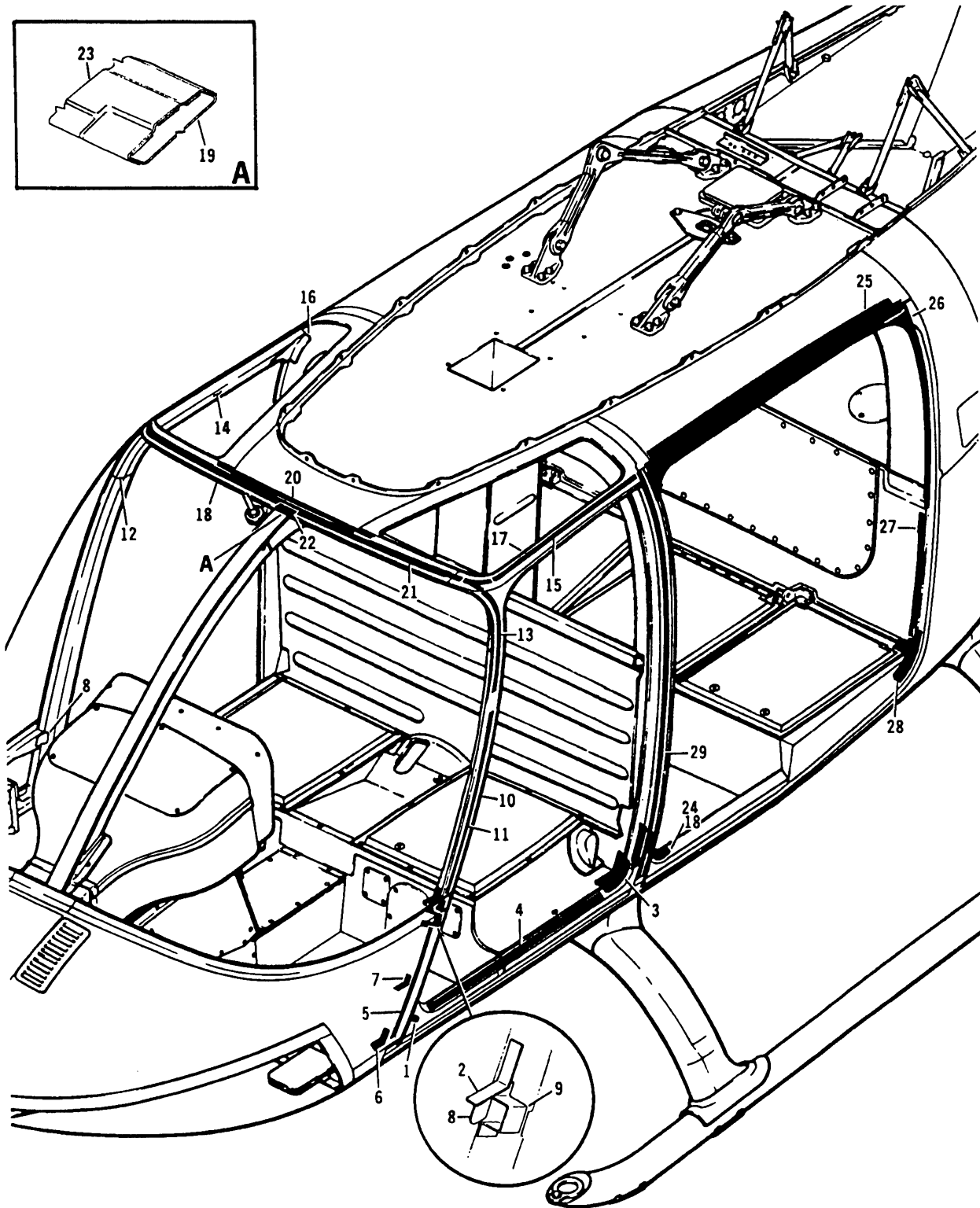


206A/B/B3-53-1030
C0000

Figure 53-35. Bulkhead installation, passenger seat

(1) INDEX NUMBER	(2) PART NUMBER	(3) ITEM NAME	(4) UNIT PER ASSY	(5) A V A I L	(6) U O C
		FIGURE: 53-35. Bulkhead installation, passenger seat			
	206-031-103-001	BULKHEAD INSTL, PASSENGER SEAT	1		
	206-031-103-005	BULKHEAD INSTL, PASSENGER SEAT	1		
	206-031-103-007	BULKHEAD INSTL, PASSENGER SEAT	1		
	206-031-103-101	BULKHEAD INSTL, PASSENGER SEAT	1		
	206-031-103-103	BULKHEAD INSTL, PASSENGER SEAT	1		
1	NAS1303-3	.BOLT (REPLACED BY NAS6603-3)	2		D
1	NAS6603-3	.BOLT (REPLACES NAS1303-3)	2	1	D
2	AN960PD10	.WASHER (REPLACED BY AN960JD10)	8		C
2	AN960JD10	.WASHER (REPLACES AN960PD10) (REPLACED BY NAS1149D0363J)	8		C
2	NAS1149D0363J	.WASHER (REPLACES AN960JD10)	8		C
3	90-003-30	.NUT (ALTERNATE PART)	2	1	C
3	90-003-3	.NUT	2	1	C
4	110-095-1	.RETAINER	2	1	D
5	80-007-06-3	.INSERT	12	1	F
6	AN960PD3L	.WASHER (REPLACED BY AN960JD3L)	28		B
6	AN960JD3L	.WASHER (REPLACES AN960PD3L) (REPLACED BY NAS1149DN316J)	28		B
6	NAS1149DN316J	.WASHER (REPLACES AN960JD3L)	28		B
7	205-030-183-001	.HANGER (REPLACED BY 70-022-1)	14	6	B
7	70-022-1	.HANGER (REPLACES 205-030-183-001)	14	1	B
8	NAS1474A3	.NUTPLATE	8	1	B
9	206-031-103-033	.SUPPORT, LH	1		B
10	206-031-103-117	.SUPPORT, LH	1		G
11	206-031-103-034	.SUPPORT, RH	1		B
12	206-031-103-118	.SUPPORT, RH	1		G
13	206-031-103-025	.ANGLE	1		A
13	206-031-103-043	.ANGLE	1		C
13	206-031-103-115	.ANGLE	1		H
13	206-031-103-119	.ANGLE	1		J
14	206-031-103-121	.SPACER	1		J
15	206-031-103-003	.PANEL ASSY	1		A
15	206-031-103-009	.PANEL ASSY	1		D

(1) INDEX NUMBER	(2) PART NUMBER	(3) ITEM NAME	(4) UNIT PER ASSY	(5) A V A I L	(6) U O C																														
		<p>FIGURE: 53-35. Bulkhead installation, passenger seat (Cont'd)</p> <p style="text-align: center;">USABLE ON CODES</p> <table border="0" style="width: 100%;"> <thead> <tr> <th style="text-align: left;">CODE</th> <th style="text-align: left;">MODEL</th> <th style="text-align: left;">SERIAL NUMBER</th> </tr> </thead> <tbody> <tr> <td>A</td> <td>206A/B</td> <td>4-913</td> </tr> <tr> <td>B</td> <td>206B/BIII</td> <td>4-3566</td> </tr> <tr> <td>C</td> <td>206B/BIII</td> <td>914-3566</td> </tr> <tr> <td>D</td> <td>206B/BIII</td> <td>914-SUB</td> </tr> <tr> <td>E</td> <td>206BIII</td> <td>2212-3566</td> </tr> <tr> <td>F</td> <td>206BIII</td> <td>2212-SUB</td> </tr> <tr> <td>G</td> <td>206BIII</td> <td>3567-SUB</td> </tr> <tr> <td>H</td> <td>206BIII</td> <td>3567-4453</td> </tr> <tr> <td>J</td> <td>206BIII</td> <td>4454-SUB</td> </tr> </tbody> </table> <p>1) UNLESS A USABLE ON PART NUMBER IS LISTED IN THE ITEM NAME COLUMN; NO CODE INDICATES THE PART APPLIES TO ALL SERIAL NUMBERS.</p> <p>2) IF THE SERIAL NUMBER IS BLANK THE PART APPLIES TO ALL SERIAL NUMBERS FOR THAT MODEL.</p>	CODE	MODEL	SERIAL NUMBER	A	206A/B	4-913	B	206B/BIII	4-3566	C	206B/BIII	914-3566	D	206B/BIII	914-SUB	E	206BIII	2212-3566	F	206BIII	2212-SUB	G	206BIII	3567-SUB	H	206BIII	3567-4453	J	206BIII	4454-SUB			
CODE	MODEL	SERIAL NUMBER																																	
A	206A/B	4-913																																	
B	206B/BIII	4-3566																																	
C	206B/BIII	914-3566																																	
D	206B/BIII	914-SUB																																	
E	206BIII	2212-3566																																	
F	206BIII	2212-SUB																																	
G	206BIII	3567-SUB																																	
H	206BIII	3567-4453																																	
J	206BIII	4454-SUB																																	



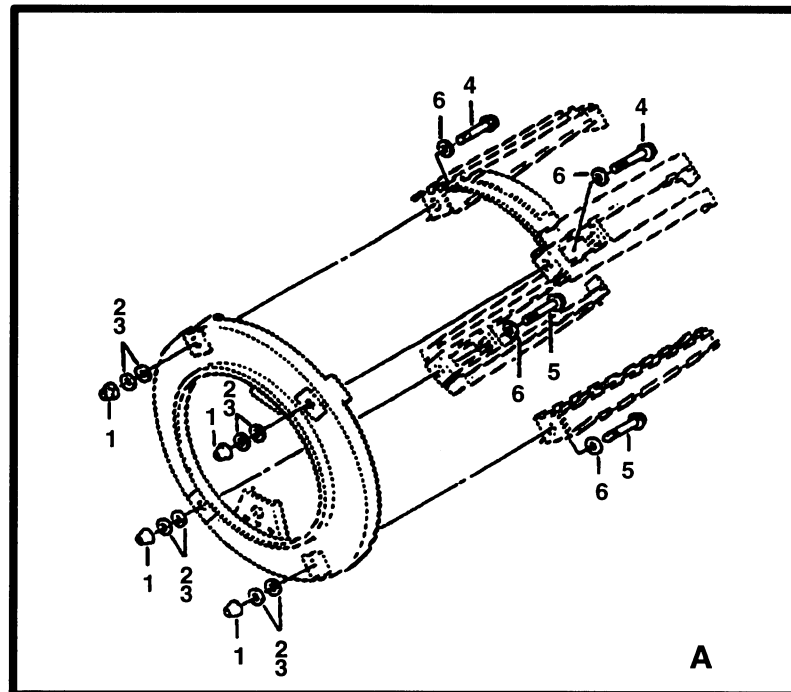
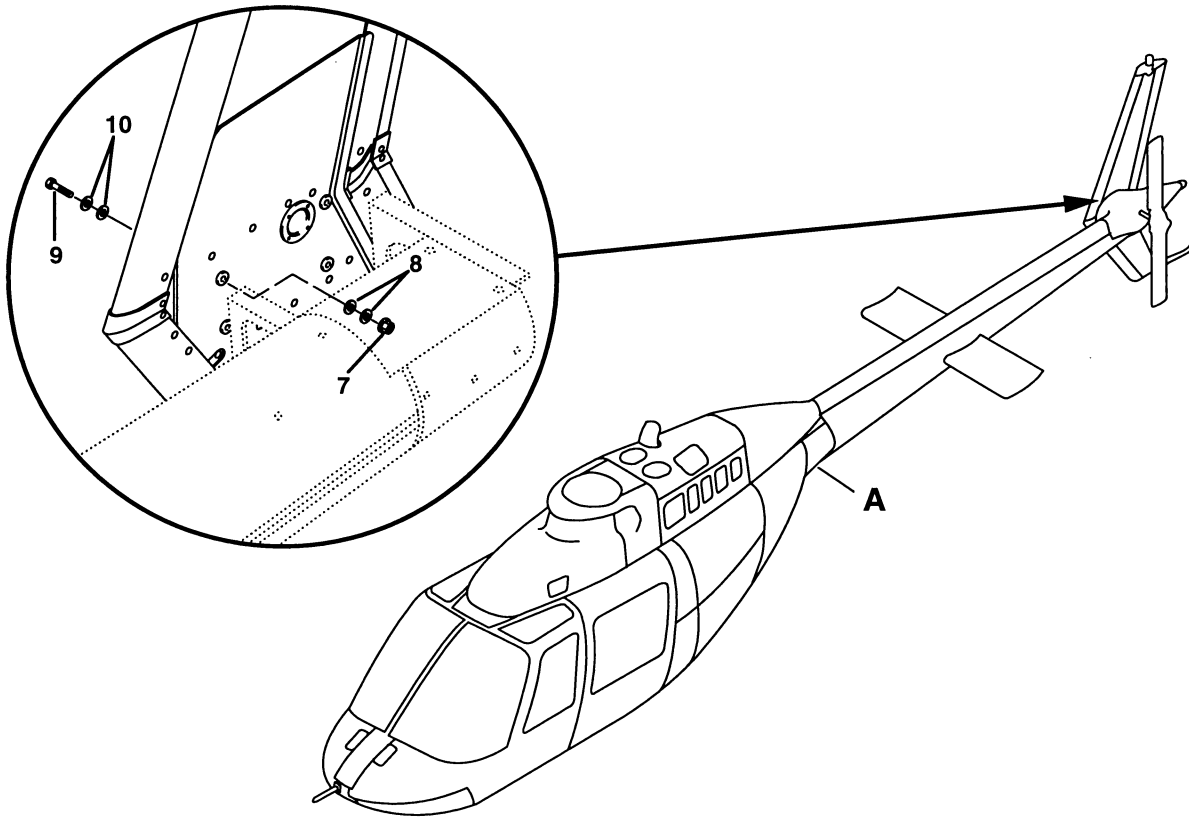
206A/B/B3-53-1031
C0000

Figure 53-36. Frame, door FWD and passenger door installations

(1) INDEX NUMBER	(2) PART NUMBER	(3) ITEM NAME	(4) UNIT PER ASSY	(5) A V A I L	(6) U O C
		FIGURE: 53-36. Frame, door FWD and passenger door installations			
	206-031-112-007	FRAME INSTL, DOOR, FWD, LH	1		
	206-031-112-113	FRAME INSTL, DOOR, FWD, LH	1		
	206-031-112-169	FRAME INSTL, DOOR, FWD, LH	1		
	206-031-112-008	FRAME INSTL, DOOR, FWD, RH	1		
	206-031-112-114	FRAME INSTL, DOOR, FWD, RH	1		
	206-031-112-170	FRAME INSTL, DOOR, FWD, RH	1		
1	2R1396	.NUT	1		
2	206-031-112-039	.CLIP	1	1	
3	206-031-112-061	.BRACKET, LH	1	1	
3	206-031-112-063	.BRACKET, RH	1	1	
4	206-031-112-149	.SHIM	1	0	
	206-031-112-085	.FRAME ASSY, DOOR, LH	1		
	206-031-112-115	.FRAME ASSY, DOOR, LH (REPLACED BY 206-031-112-177)	1		
	206-031-112-171	.FRAME ASSY, DOOR, LH (REPLACED BY 206-031-112-177)	1	0	
	206-031-112-177	.FRAME ASSY, DOOR, LH (REPLACES 206-031-112-115 . . AND -171)	1	0	
	206-031-112-086	.FRAME ASSY, DOOR, RH	1		
	206-031-112-116	.FRAME ASSY, DOOR, RH (REPLACED BY 206-031-112-178)	1		
	206-031-112-172	.FRAME ASSY, DOOR, RH (REPLACED BY 206-031-112-178)	1	0	
	206-031-112-178	.FRAME ASSY, DOOR, RH (REPLACES 206-031-112-116 . . AND -172)	1		
5	206-031-112-059	.DOUBLER	1		
6	206-031-112-037	.CLIP, LH	1	1	
6	206-031-112-038	.CLIP, RH	1	1	
7	206-031-112-035	.CLIP	1	1	
8	206-031-112-033	.CLIP, LH	1	1	
8	206-031-112-034	.CLIP, RH	1	1	
9	206-031-112-051	.BRACKET	1		
9	206-031-112-067	.BRACKET	1		
10	206-031-112-091	.DOOR POST, LH	1		
10	206-031-112-092	.DOOR POST, RH	1		
10	206-031-112-019	.DOOR POST, LH	1		
10	206-031-112-020	.DOOR POST, RH	1		
11	206-031-112-053	.DOUBLER, LH	1		
11	206-031-112-054	.DOUBLER, RH	1		
12	206-031-112-025	.BRACKET, LH	1	1	
12	206-031-112-026	.BRACKET, RH	1	1	
13	206-031-112-055	.DOUBLER, LH	1		
13	206-031-112-056	.DOUBLER, RH	1		
14	206-031-112-093	.LONGERON, LH	1	1	
14	206-031-112-094	.LONGERON, RH	1		
14	206-031-112-023	.LONGERON, LH	1	1	
14	206-031-112-024	.LONGERON, RH	1	1	
15	206-031-112-057	.DOUBLER	1		
16	206-031-112-027	.BRACKET, LH	1		

(1) INDEX NUMBER	(2) PART NUMBER	(3) ITEM NAME	(4) UNIT PER ASSY	(5) A V A I L	(6) U O C
		FIGURE: 53-36. Frame, door FWD and passenger door installations (Cont'd)			
16	206-031-112-028	.BRACKET, RH	1		
17	206-031-112-095	.FRAME, LH	1		
17	206-031-112-117	.FRAME, LH	1		
17	206-031-112-173	.FRAME, LH	1		
17	206-031-112-175	.FRAME, LH (USBL ON 206-031-112-177)	1		
17	206-031-112-096	.FRAME, RH	1		
17	206-031-112-118	.FRAME, RH	1	0	
17	206-031-112-174	.FRAME, RH (USBL ON 206-031-112-172)	1		
17	206-031-112-176	.FRAME, RH	1		
	206-031-112-003	FRAME INSTL, WINDSHIELD	1		
	206-031-112-029	FRAME INSTL, WINDSHIELD	1		
	206-031-112-119	FRAME INSTL, WINDSHIELD	1		
18	206-031-112-011	.FRAME ASSY, WINDSHIELD (USBL ON 206-031-112-003)	1		
18	206-031-112-031	.FRAME ASSY, WINDSHIELD (USBL ON 206-031-112-029)	1		
18	206-031-112-121	.FRAME ASSY, WINDSHIELD	1	1	
19	206-031-112-021	.FRAME	1	1	
20	206-031-112-049	.DOUBLER	1		
21	206-031-112-047	.DOUBLER	1		
22	206-031-112-043	.DOUBLER	1		
23	206-031-112-017	.FRAME (USBL ON 206-031-112-011)	1		
23	206-031-112-097	.FRAME (USBL ON 206-031-112-IPC)	1	6	
23	206-031-112-123	.FRAME	1		
	206-031-123-007	FRAME INSTL, DOOR, PASSENGER, LH	1		
	206-031-123-067	FRAME INSTL, DOOR, PASSENGER, LH	1		
	206-031-123-053	FRAME INSTL, DOOR, PASSENGER, LH	1		
	206-031-123-069	FRAME INSTL, DOOR, PASSENGER, LH	1		
	206-031-123-087	FRAME INSTL, DOOR, PASSENGER, LH	1		
	206-031-123-008	FRAME INSTL, DOOR, PASSENGER, RH	1		
	206-031-123-068	FRAME INSTL, DOOR, PASSENGER, RH	1		
	206-031-123-054	FRAME INSTL, DOOR, PASSENGER, RH	1		
	206-031-123-070	FRAME INSTL, DOOR, PASSENGER, RH	1		
	206-031-123-088	FRAME INSTL, DOOR, PASSENGER, RH	1		
	206-031-123-101	FRAME INSTL, DOOR, PASSENGER	1		
24	206-031-123-029	.BRACKET, LH	1	1	
24	206-031-123-030	.BRACKET, RH	1	1	
25	206-031-123-059	.LONGERON, LH	1		
25	206-031-123-060	.LONGERON, RH	1		
26	206-031-123-019	.BRACKET, LH	1		
26	206-031-123-020	.BRACKET, RH	1		
27	206-031-123-025	.FILLER, LH	1	1	
27	206-031-123-026	.FILLER, RH	1	0	
28	206-031-123-031	.BRACKET, LH	1	1	
28	206-031-123-032	.BRACKET, RH	1	1	
	206-031-123-045	.FRAME ASSY, DOOR, LH (USBL ON 206-031-123-007) . . (REPLACED BY 206-031-123-095)	1		
	206-031-123-075	.FRAME ASSY, DOOR, LH (USBL ON 206-031-123-067) . .	1	0	
	206-031-123-055	.FRAME ASSY, DOOR, LH (USBL ON 206-031-123-053) . .	1		

(1) INDEX NUMBER	(2) PART NUMBER	(3) ITEM NAME	(4) UNIT PER ASSY	(5) A V A I L	(6) U O C
		FIGURE: 53-36. Frame, door FWD and passenger door installations (Cont'd)			
	206-031-123-077	.FRAME ASSY, DOOR, LH (USBL ON 206-031-123-069) . . (REPLACED BY 206-031-123-095)	1		
	206-031-123-089	.FRAME ASSY, DOOR, LH (REPLACED BY 206-031-123-095)	1		
	206-031-123-095	.FRAME ASSY, DOOR, LH (REPLACES 206-031-123-045, . -077 AND -089)	1	0	
	206-031-123-046	.FRAME ASSY, DOOR, RH (USBL ON 206-031-123-008) . . (REPLACED BY 206-031-123-096)	1		
	206-031-123-076	.FRAME ASSY, DOOR, RH (USBL ON 206-031-123-068) . .	1	0	
	206-031-123-056	.FRAME ASSY, DOOR, RH (USBL ON 206-031-123-054) . .	1		
	206-031-123-078	.FRAME ASSY, DOOR, RH (USBL ON 206-031-123-070) . . (REPLACED BY 206-031-123-096)	1		
	206-031-123-090	.FRAME ASSY, DOOR, RH (REPLACED BY 206-031-123-096)	1	0	
	206-031-123-096	.FRAME ASSY, DOOR, RH (REPLACES 206-031-123-046, . -078 AND -090)	1	0	
29	206-031-123-051	.FILLER	1	1	
		NOTE 1: DO NOT INTERMIX P/N 90-003-30 NUTS WITH P/N 90-003-3 NUTS .			

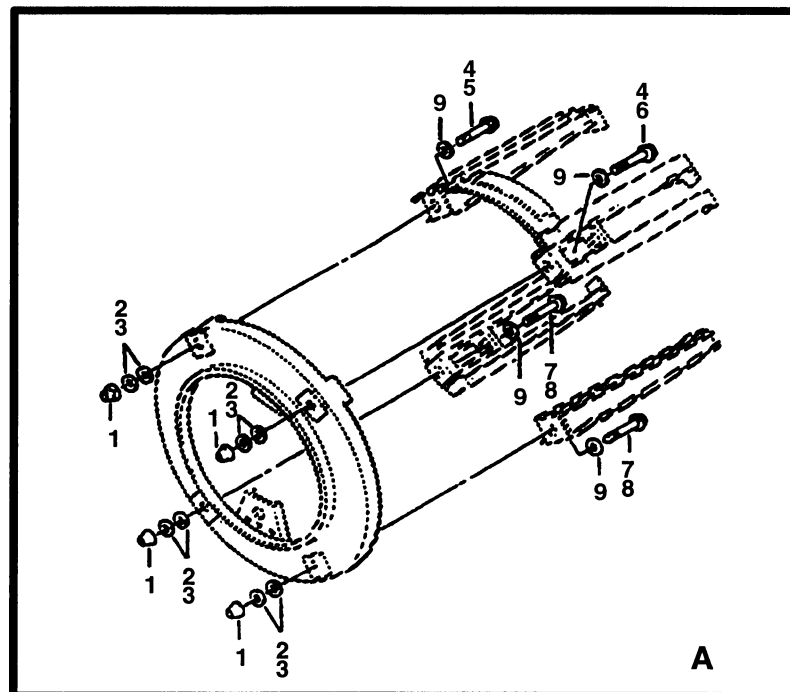
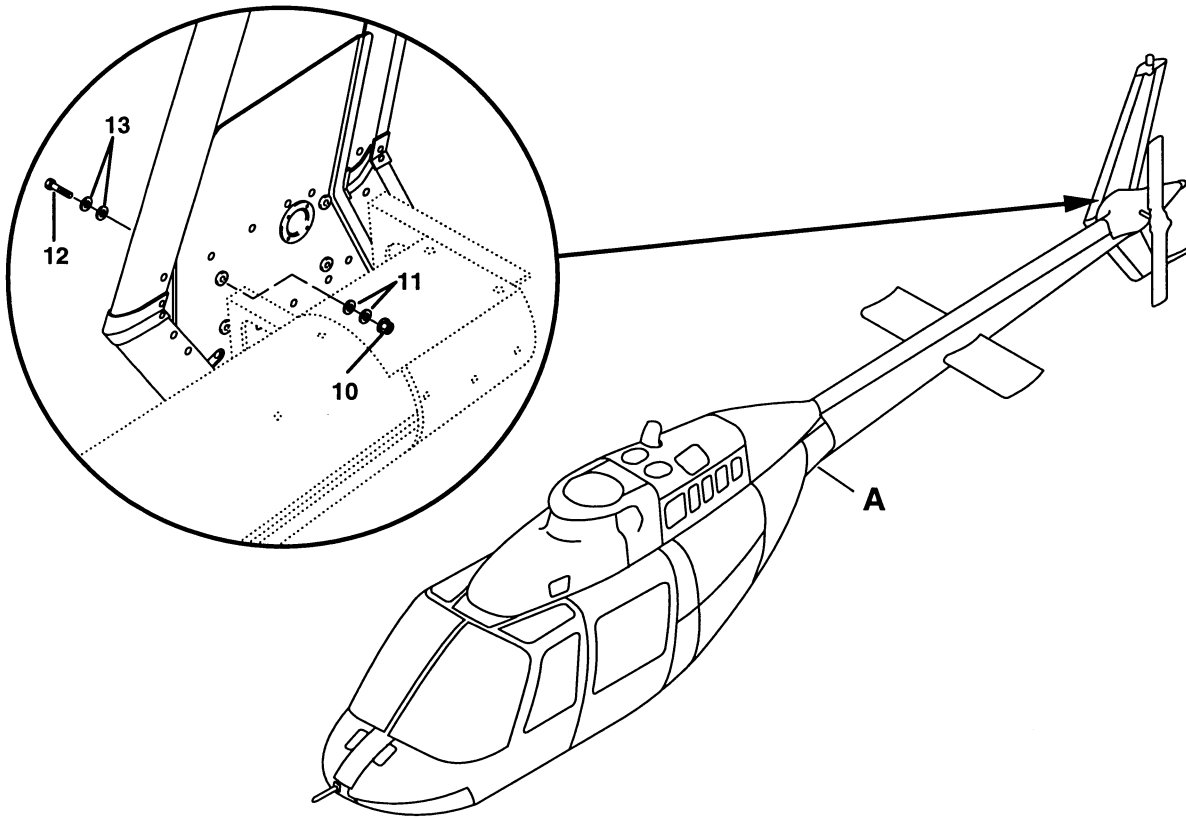


206A/B/B3-53-1032B
C0001

Figure 53-37. Fuselage assembly (S/N 4 thru 1251)

(1) INDEX NUMBER	(2) PART NUMBER	(3) ITEM NAME	(4) UNIT PER ASSY	(5) A V A I L	(6) U O C
		FIGURE: 53-37. Fuselage assembly (S/N 4 thru 1251)			
	206-031-001-005	FUSELAGE ASSY	1		A
	206-031-001-011	FUSELAGE ASSY	1		D
	206-031-001-015	FUSELAGE ASSY	1		E
	206-031-001-019	FUSELAGE ASSY	1		R
	206-031-001-031	FUSELAGE ASSY	1		G
	206-031-001-023	FUSELAGE ASSY	1		H
	206-031-001-027	FUSELAGE ASSY	1		J
	206-031-001-035	FUSELAGE ASSY	1		K
	206-031-001-043	FUSELAGE ASSY	1		L
	206-031-001-051	FUSELAGE ASSY	1		M
	206-031-001-047	FUSELAGE ASSY	1		N
	206-031-001-059	FUSELAGE ASSY	1		R
	206-031-001-055	FUSELAGE ASSY	1		S
	206-031-001-063	FUSELAGE ASSY	1		T
1	NAS1291-6	.NUT	4		A
1	EB-064	.NUT	4		P
		(ALTERNATE PART)			
1	42FLW624	.NUT (REPLACED BY 42FLW-624)	4		P
1	42FLW-624	.NUT (REPLACES 42FLW624)	4	1	P
2	AN960PD616	.WASHER (REPLACED BY AN960JD616)	8		B
2	AN960JD616	.WASHER (REPLACES AN960PD616) (REPLACED BY NAS1149D0663J)	8		B
2	NAS1149D0663J	.WASHER (REPLACES AN960JD616)	8		B
3	AN960-616	.WASHER (REPLACED BY NAS1149F0663P)	8	1	Q
3	NAS1149F0663P	.WASHER (REPLACES AN960-616)	8	1	Q
4	20-057-6-21	.BOLT	2	1	
5	20-057-6-18	.BOLT	2	1	
6	MS20002C6	.WASHER	4	1	
7	MS21042L4	.NUT (POST ASB 206-91-60) (NOTE 1)	4	1	
8	140-019-1	.WASHER (POST ASB 206-91-60) (NOTE 1)	8	1	
9	NAS1304-24	.BOLT (PRE ASB 206-91-60) (REPLACED BY NAS6604-24)	4	1	
9	NAS6604-24	.BOLT (PRE ASB 206-91-60) (REPLACES NAS1304-24) . .	4	1	
9	NAS6604-27	.BOLT (POST ASB 206-91-60) (NOTE 1)	8	1	
10	AN960PD416L	.WASHER (REPLACED BY AN960JD416L)	8		
10	AN960JD416L	.WASHER (REPLACES AN960PD416L) (REPLACED BY NAS1149D0416J)	8	1	
10	NAS1149D0416J	.WASHER (REPLACES AN960JD416L)	8	1	
	206-020-113-005	.FIN ASSY (SEE FIG. 43 FOR BREAKDOWN)	1		C
	206-020-113-007	.FIN ASSY (SEE FIG. 43 FOR BREAKDOWN)	1	0	M
	206-020-113-009	.FIN ASSY (SEE FIG. 43 FOR BREAKDOWN)	1	0	P
	206-020-113-107	.FIN ASSY (SEE FIG. 43 FOR BREAKDOWN)	1	0	S
	206-020-113-103	.FIN ASSY (SEE FIG. 43 FOR BREAKDOWN)	1	0	T
		NOTE 1: THE MS21042L4 NUT AND 140-019-1 WASHER ARE NOT USED WHEN THE 206-020-113-109 EXTERNAL DOUBLER IS INSTALLED FOR S/N 4 THRU 1163 .			

(1) INDEX NUMBER	(2) PART NUMBER	(3) ITEM NAME	(4) UNIT PER ASSY	(5) A V A I L	(6) U O C																																																									
		<p>FIGURE: 53-37. Fuselage assembly (S/N 4 thru 1251) (Cont'd)</p> <p style="text-align: center;">USABLE ON CODES</p> <table border="0" style="width: 100%;"> <thead> <tr> <th style="text-align: left;">CODE</th> <th style="text-align: left;">MODEL</th> <th style="text-align: left;">SERIAL NUMBER</th> </tr> </thead> <tbody> <tr><td>A</td><td>206A</td><td>4-53</td></tr> <tr><td>B</td><td>206A</td><td>4-103</td></tr> <tr><td>C</td><td>206A</td><td>4-413</td></tr> <tr><td>D</td><td>206A</td><td>54-103</td></tr> <tr><td>E</td><td>206A</td><td>104-153</td></tr> <tr><td>F</td><td>206A</td><td>154-203</td></tr> <tr><td>G</td><td>206A</td><td>204-253</td></tr> <tr><td>H</td><td>206A</td><td>254-303</td></tr> <tr><td>J</td><td>206A</td><td>304-353</td></tr> <tr><td>K</td><td>206A</td><td>354-413</td></tr> <tr><td>L</td><td>206A</td><td>414-497</td></tr> <tr><td>M</td><td>206A</td><td>498-583</td></tr> <tr><td>N</td><td>206A</td><td>584-660, 672-715</td></tr> <tr><td>P</td><td>206A/B</td><td>54-2211</td></tr> <tr><td>Q</td><td>206A/B</td><td>104-2211</td></tr> <tr><td>R</td><td>206B</td><td>661-671, 716-913</td></tr> <tr><td>S</td><td>206B</td><td>914-1163</td></tr> <tr><td>T</td><td>206B</td><td>1164-1251</td></tr> </tbody> </table> <p>1) UNLESS A USABLE ON PART NUMBER IS LISTED IN THE ITEM NAME COLUMN; NO CODE INDICATES THE PART APPLIES TO ALL SERIAL NUMBERS.</p> <p>2) IF THE SERIAL NUMBER IS BLANK THE PART APPLIES TO ALL SERIAL NUMBERS FOR THAT MODEL.</p>	CODE	MODEL	SERIAL NUMBER	A	206A	4-53	B	206A	4-103	C	206A	4-413	D	206A	54-103	E	206A	104-153	F	206A	154-203	G	206A	204-253	H	206A	254-303	J	206A	304-353	K	206A	354-413	L	206A	414-497	M	206A	498-583	N	206A	584-660, 672-715	P	206A/B	54-2211	Q	206A/B	104-2211	R	206B	661-671, 716-913	S	206B	914-1163	T	206B	1164-1251			
CODE	MODEL	SERIAL NUMBER																																																												
A	206A	4-53																																																												
B	206A	4-103																																																												
C	206A	4-413																																																												
D	206A	54-103																																																												
E	206A	104-153																																																												
F	206A	154-203																																																												
G	206A	204-253																																																												
H	206A	254-303																																																												
J	206A	304-353																																																												
K	206A	354-413																																																												
L	206A	414-497																																																												
M	206A	498-583																																																												
N	206A	584-660, 672-715																																																												
P	206A/B	54-2211																																																												
Q	206A/B	104-2211																																																												
R	206B	661-671, 716-913																																																												
S	206B	914-1163																																																												
T	206B	1164-1251																																																												

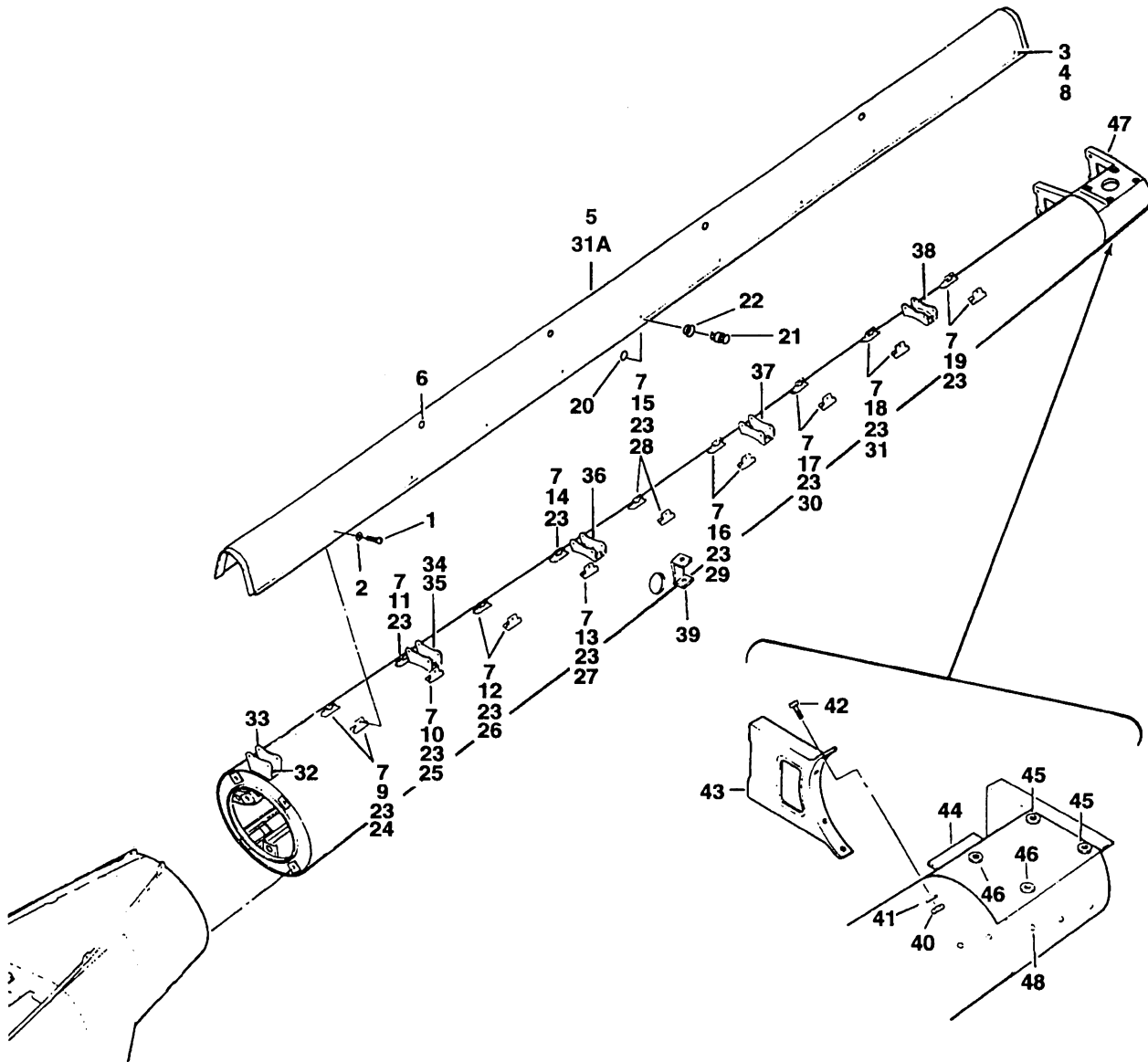


206A/B/B3-53-1032C
C0001

Figure 53-38. Fuselage assembly (S/N 1252 thru SUB)

(1) INDEX NUMBER	(2) PART NUMBER	(3) ITEM NAME	(4) UNIT PER ASSY	(5) A V A I L	(6) U O C
		FIGURE: 53-38. Fuselage assembly (S/N 1252 thru SUB)			
	206-031-001-067	FUSELAGE ASSY	1		H
	206-031-001-071	FUSELAGE ASSY	1		J
	206-031-001-075	FUSELAGE ASSY	1		K
	206-031-001-079	FUSELAGE ASSY	1		L
	206-031-001-095	FUSELAGE ASSY	1		A
	206-031-001-099	FUSELAGE ASSY	1		D
	206-031-001-107	FUSELAGE ASSY	1		E
	206-031-001-111	FUSELAGE ASSY	1		F
	206-031-001-115	FUSELAGE ASSY	1		G
1	EB-064	.NUT	4		C
		(ALTERNATE PART)			
1	42FLW624	.NUT (REPLACED BY 42FLW-624)	4		C
1	42FLW-624	.NUT (REPLACES 42FLW624)	4	1	C
2	AN960-616	.WASHER (REPLACED BY NAS1149F0663P)	8	1	B
2	NAS1149F0663P	.WASHER (REPLACES AN960-616)	8	1	B
3	NAS1149F0663P	.WASHER	4	1	G
4	NAS1306-21	.BOLT (REPLACED BY NAS6606-21)	2	0	B
4	NAS6606-21	.BOLT (REPLACES NAS1306-21)	2		B
5	20-057-6-22	.BOLT	1	1	G
6	NAS6606-25	.BOLT	1		G
7	NAS1306-18	.BOLT (REPLACED BY NAS6606-18 AND 20-057-6-18)	2		B
7	NAS6606-18	.BOLT (REPLACES NAS1306-18) (REPLACED BY 20-057-6-18)	2		B
7	20-057-6-18	.BOLT (REPLACES NAS1306-18 AND NAS6606-18)	2	1	B
8	20-057-6-19	.BOLT	2	1	G
9	MS20002C6	.WASHER	4	1	
10	MS21042L4	.NUT	4	1	
11	140-019-1	.WASHER	8	1	N
12	NAS1304-26	.BOLT (REPLACED BY NAS6604-26)	4		N
12	NAS6604-26	.BOLT (REPLACES NAS1304-26)	4	1	N
12	NAS6604-28	.BOLT	4	1	G
13	AN960PD416L	.WASHER (REPLACED BY AN960JD416L)	8		N
13	AN960JD416L	.WASHER (REPLACES AN960PD416L) (REPLACED BY NAS1149D0416J)	8	1	N
13	NAS1149D0416J	.WASHER (REPLACES AN960JD416L)	8	1	N
13	AN960PD416	.WASHER (REPLACED BY AN960JD416)	8		G
13	AN960JD416	.WASHER (REPLACES AN960PD416) (REPLACED BY NAS1149D0463J)	8		G
13	NAS1149D0463J	.WASHER (REPLACES AN960JD416)	8		G
	206-020-113-011	.FIN ASSY (SEE FIG. 45 FOR BREAKDOWN) (REPLACED . . . BY 206-020-113-191, -127, -207 AND -247)	1		M
	206-020-113-191	.FIN ASSY (SEE FIG. 45 FOR BREAKDOWN) (REPLACES . . . 206-020-113-011) (REPLACED BY 206-020-113-127, -207 AND -247)	1	0	M
	206-020-113-127	.FIN ASSY (SEE FIG. 45 FOR BREAKDOWN) (REPLACES . . . 206-020-113-011 AND -191) (REPLACED BY 206-020-113-207 AND -247)	1	0	P
	206-020-113-207	.FIN ASSY (SEE FIG. 45 FOR BREAKDOWN) (REPLACES . . . 206-020-113-011, -191 AND -127) (REPLACED BY 206-020-113-247)	1		Q

(1) INDEX NUMBER	(2) PART NUMBER	(3) ITEM NAME	(4) UNIT PER ASSY	(5) A V A I L	(6) U O C																																																
	206-020-113-247	<p>FIGURE: 53-38. Fuselage assembly (S/N 1252 thru SUB) (Cont'd)</p> <p>.FIN ASSY (SEE FIG. 45 FOR BREAKDOWN) (REPLACES . . . 206-020-113-011, -191, -127 AND -207)</p> <p style="text-align: center;">USABLE ON CODES</p> <table border="0"> <thead> <tr> <th>CODE</th> <th>MODEL</th> <th>SERIAL NUMBER</th> </tr> </thead> <tbody> <tr><td>A</td><td>206BIII</td><td>2212-2488</td></tr> <tr><td>B</td><td>206BIII</td><td>2212-3566</td></tr> <tr><td>C</td><td>206BIII</td><td>2212-SUB</td></tr> <tr><td>D</td><td>206BIII</td><td>2589-3121</td></tr> <tr><td>E</td><td>206BIII</td><td>3122-3216</td></tr> <tr><td>F</td><td>206BIII</td><td>3217-3566</td></tr> <tr><td>G</td><td>206BIII</td><td>3567-SUB</td></tr> <tr><td>H</td><td>206B</td><td>1252-1413</td></tr> <tr><td>J</td><td>206B</td><td>1414-1750</td></tr> <tr><td>K</td><td>206B</td><td>1751-2058</td></tr> <tr><td>L</td><td>206B</td><td>2059-2211</td></tr> <tr><td>M</td><td>206B/BIII</td><td>1252-3216</td></tr> <tr><td>N</td><td>206B/BIII</td><td>1252-3566</td></tr> <tr><td>P</td><td>206B/BIII</td><td>1252-4004</td></tr> <tr><td>Q</td><td>206B/BIII</td><td>1252-4499</td></tr> </tbody> </table> <p>1) UNLESS A USABLE ON PART NUMBER IS LISTED IN THE ITEM NAME COLUMN; NO CODE INDICATES THE PART APPLIES TO ALL SERIAL NUMBERS.</p> <p>2) IF THE SERIAL NUMBER IS BLANK THE PART APPLIES TO ALL SERIAL NUMBERS FOR THAT MODEL.</p>	CODE	MODEL	SERIAL NUMBER	A	206BIII	2212-2488	B	206BIII	2212-3566	C	206BIII	2212-SUB	D	206BIII	2589-3121	E	206BIII	3122-3216	F	206BIII	3217-3566	G	206BIII	3567-SUB	H	206B	1252-1413	J	206B	1414-1750	K	206B	1751-2058	L	206B	2059-2211	M	206B/BIII	1252-3216	N	206B/BIII	1252-3566	P	206B/BIII	1252-4004	Q	206B/BIII	1252-4499	1		
CODE	MODEL	SERIAL NUMBER																																																			
A	206BIII	2212-2488																																																			
B	206BIII	2212-3566																																																			
C	206BIII	2212-SUB																																																			
D	206BIII	2589-3121																																																			
E	206BIII	3122-3216																																																			
F	206BIII	3217-3566																																																			
G	206BIII	3567-SUB																																																			
H	206B	1252-1413																																																			
J	206B	1414-1750																																																			
K	206B	1751-2058																																																			
L	206B	2059-2211																																																			
M	206B/BIII	1252-3216																																																			
N	206B/BIII	1252-3566																																																			
P	206B/BIII	1252-4004																																																			
Q	206B/BIII	1252-4499																																																			



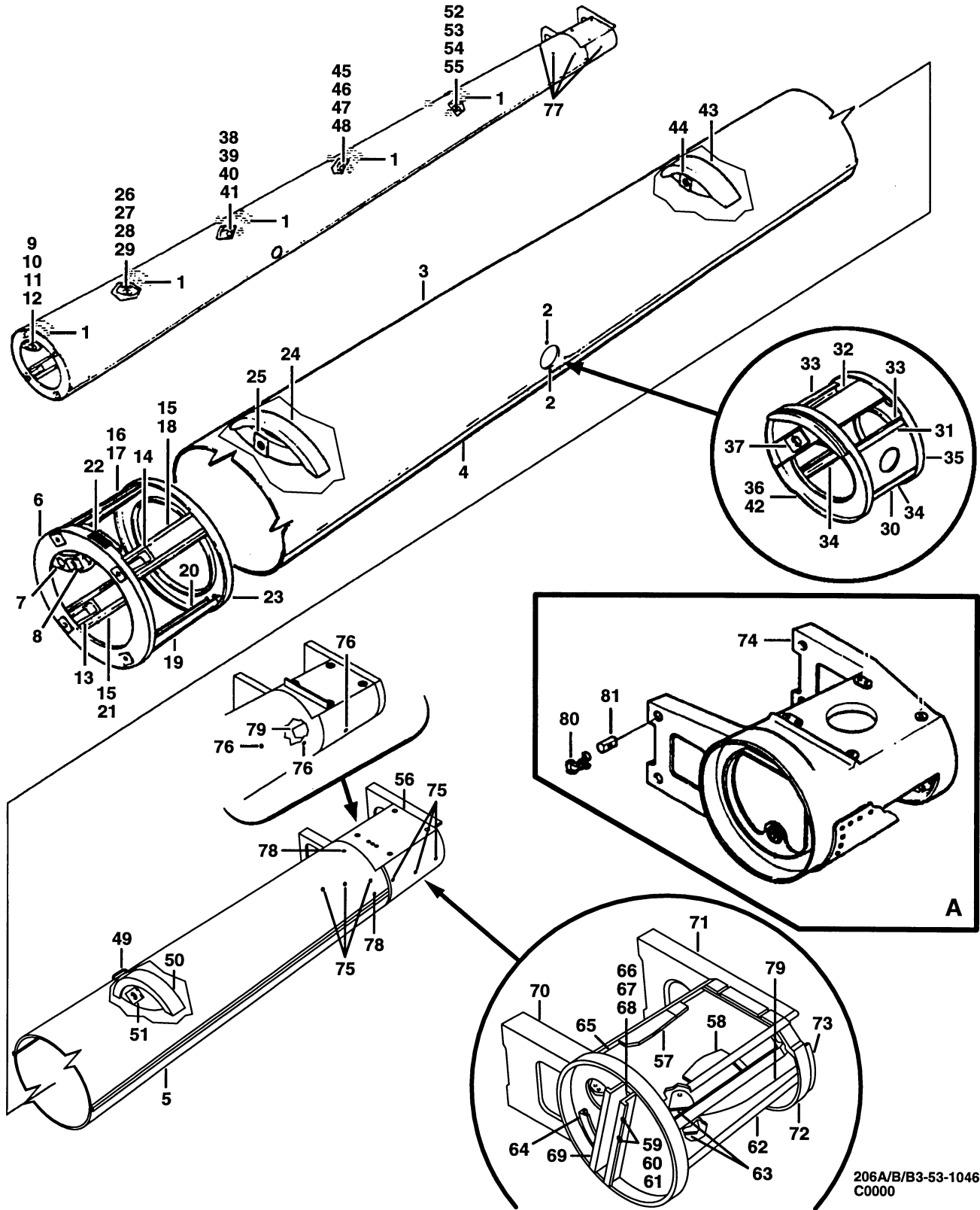
206A/B/B3-53-1033
C0000

Figure 53-39. Tailboom assembly

(1) INDEX NUMBER	(2) PART NUMBER	(3) ITEM NAME	(4) UNIT PER ASSY	(5) A V A I L	(6) U O C
		FIGURE: 53-39. Tailboom assembly			
	206-031-004-001	TAILBOOM ASSY (SEE FIG. 40 FOR BALANCE OF BREAKDOWN) (REPLACED BY 206-031-004-011)	1		A
	206-031-004-003	TAILBOOM ASSY (SEE FIG. 40 FOR BALANCE OF BREAKDOWN) (REPLACED BY 206-031-004-011)	1		C
	206-031-004-009	TAILBOOM ASSY (SEE FIG. 40 FOR BALANCE OF BREAKDOWN) (REPLACED BY 206-031-004-011)	1		D
	206-031-004-011	TAILBOOM ASSY (SEE FIG. 40 FOR BALANCE OF BREAKDOWN) (REPLACES 206-031-004-001, -003 AND -009) (REPLACED BY 206-031-004-121)	1	0	E
	206-031-004-071	TAILBOOM ASSY (SEE FIG. 40 FOR BALANCE OF BREAKDOWN) (REPLACED BY 206-031-004-097)	1	0	H
	206-031-004-097	TAILBOOM ASSY (SEE FIG. 40 FOR BALANCE OF BREAKDOWN) (REPLACES 206-031-004-071) (REPLACED BY 206-031-004-121)	1	0	K
	206-031-004-121	TAILBOOM ASSY (SEE FIG. 40 FOR BALANCE OF BREAKDOWN) (REPLACES 206-031-004-011, -071 AND -097) (REPLACED BY 206-031-004-159)	1		J
	206-031-004-159	TAILBOOM, ASSY (SEE FIG. 40 FOR BALANCE OF BREAKDOWN) (REPLACES 206-031-004-121)	1		J
	206-031-004-095	TAILBOOM ASSY (SEE FIG. 40 FOR BALANCE OF BREAKDOWN) (REPLACED BY 206-031-004-155)	1	0	J
	206-031-004-111	TAILBOOM ASSY (SEE FIG. 40 FOR BALANCE OF BREAKDOWN) (REPLACED BY 206-031-004-155)	1	0	P
	206-031-004-115	TAILBOOM ASSY (SEE FIG. 40 FOR BALANCE OF BREAKDOWN) (REPLACED BY 206-031-004-147 AND -155)	1		Q
	206-031-004-147	TAILBOOM ASSY (SEE FIG. 40 FOR BALANCE OF BREAKDOWN) (REPLACES 206-031-004-115) (REPLACED BY 206-031-004-155)	1		R
	206-031-004-155	TAILBOOM ASSY (SEE FIG. 40 FOR BALANCE OF BREAKDOWN) (REPLACES 206-031-004-095, -111, -115 AND 147)	1		MT
	206-031-407-011	.COVER INSTL (USBL ON 206-031-004-001)	1		
	206-031-407-013	.COVER INSTL (USBL ON 206-031-004-003)	1		
	206-031-407-015	.COVER INSTL (USBL ON 206-031-004-009, -011 AND . . -071)	1		
	206-031-407-017	.COVER INSTL (USBL ON 206-031-004-097, -121 AND . . -159)	1		
1	A5T8	..STUD (REPLACED BY 50-005A8)	18		G
1	50-005A8	..STUD (REPLACES A5T8)	18	1	G
2	GH5	..GROMMET	18	0	G
3	A3 1-2T6	..FASTENER (REPLACED BY 50-007A6)	2		G
3	50-007A6	..STUD (REPLACES A3 1-2T6)	2	1	G
4	GH3 1-2	..GROMMET (REPLACED BY 50-009-2)	2		G
4	50-009-2	..GROMMET (REPLACES GH3 1-2)	2	1	G
5	206-031-408-013	..COVER ASSY (REPLACED BY 206-031-408-025)	1		B
5	206-031-408-025	..COVER ASSY (REPLACES 206-031-408-013) (REPLACED BY 206-031-408-029)	1	0	F
5	206-031-408-029	..COVER ASSY (REPLACES 206-031-408-025 AND -013) .	1		L
6	100-072-16	..PLUG BUTTON	8	1	L

(1) INDEX NUMBER	(2) PART NUMBER	(3) ITEM NAME	(4) UNIT PER ASSY	(5) A V A I L	(6) U O C
		FIGURE: 53-39. Tailboom assembly (Cont'd)			
7	R5	..RECEPTACLE (REPLACED BY 50-008R5)	18		G
7	50-008R5	..RECEPTACLE (REPLACES R5)	18	1	G
8	R3 1-2	..FASTENER	2		G
	206-031-427-001	..CLIP INSTL (USBL ON 206-031-407-015)	1		
9	206-031-427-003	..CLIP	2		
10	206-031-427-021	..CLIP, LH	1		
11	206-031-427-025	..CLIP, RH	1	1	
12	206-031-427-007	..CLIP	2		
13	206-031-427-023	..CLIP, LH	1	1	
14	206-031-427-027	..CLIP, RH	1	1	
15	206-031-427-011	..CLIP	2		
16	206-031-427-013	..CLIP	2		
17	206-031-427-015	..CLIP	2		
18	206-031-427-017	..CLIP	2		
19	206-031-427-019	..CLIP	2		
	206-031-462-003	..COVER INSTL (USBL ON 206-031-004-095, -111, -115, -147 AND -155)	1		
20	50-037-1	..RETAINER (REPLACED BY MS16624-1046)	18	1	NPT
20	MS16624-1046	..RETAINER (REPLACES 50-037-1)	18		NPT
21	50-019-2	..STUD	18	1	NPT
22	50-036-1	..GROMMET	18	1	NPT
23	50-021-1	..RECEPTACLE	18	1	NPT
24	206-031-462-015	..CLIP	2	1	NPT
25	206-031-462-017	..CLIP	2	1	NPT
26	206-031-462-019	..CLIP	2		NPT
27	206-031-462-021	..CLIP	2	1	NPT
28	206-031-462-023	..CLIP	2	1	NPT
29	206-031-462-025	..CLIP	2	1	NPT
30	206-031-462-027	..CLIP	2	1	NPT
31	206-031-462-029	..CLIP	2	1	NPT
31A	206-033-408-003	..COVER ASSY	1		NPT
32	AN525-10R10	..SCREW	3	1	
33	206-030-433-007	..BRACKET	1	1	J
33	206-030-433-013	..BRACKET (REPLACED BY 206-030-433-101)	1		NPR
33	206-030-433-101	..BRACKET (REPLACES 206-030-433-013)	1		
34	AN525-10R8	..SCREW (REPLACED BY 120-220-3P8)	12	1	
34	120-220-3P8	..SCREW (REPLACES AN525-10R8)	12		
35	206-030-433-011	..BRACKET	1	1	J
35	206-030-433-015	..BRACKET (REPLACED BY 206-030-433-103)	1		NPR
35	206-030-433-103	..BRACKET (REPLACES 206-030-433-015)	1		
36	206-030-433-005	..BRACKET	1	1	J
36	206-030-433-017	..BRACKET (REPLACED BY 206-030-433-105)	1		NPR
36	206-030-433-105	..BRACKET (REPLACES 206-030-433-017)	1		
37	206-030-407-007	..BRACKET (REPLACED BY 206-030-407-101)	1		V
37	206-030-407-101	..BRACKET (REPLACES 206-030-407-007)	1		
38	206-030-407-009	..BRACKET (REPLACED BY 206-030-407-103)	1		V
38	206-030-407-103	..BRACKET (REPLACES 206-030-407-009)	1		
39	206-031-468-001	..STOP ASSY	1	1	S
40	NAS679A4	..NUT (REPLACED BY MS21042L4)	4	0	U
40	MS21042L4	..NUT (REPLACES NAS679A4)	4	1	U

(1) INDEX NUMBER	(2) PART NUMBER	(3) ITEM NAME	(4) UNIT PER ASSY	(5) A V A I L	(6) U O C																																																																		
FIGURE: 53-39. Tailboom assembly (Cont'd)																																																																							
41	AN960PD416	.WASHER (REPLACED BY AN960JD416)	4		U																																																																		
41	AN960JD416	.WASHER (REPLACES AN960PD416) (REPLACED BY NAS1149D0463J)	4		U																																																																		
41	NAS1149D0463J	.WASHER (REPLACES AN960JD416)	4		U																																																																		
42	AN4-7A	.BOLT	4	1	U																																																																		
43	206-031-417-003	.SUPPORT (S/N 1414 THRU 1452, 1756 THRU 1782)	1																																																																				
43	206-031-417-007	.SUPPORT (S/N 1453 THRU 1755, 1783 THRU 3906)	1	1																																																																			
43	206-033-426-003	.SUPPORT ASSY (S/N 3907 THRU SUB)	1	0																																																																			
44	206-031-004-033	.ANGLE	1	0	L																																																																		
45	206-040-426-001	.WASHER	2	1	U																																																																		
46	206-040-426-001	.WASHER	2	1	E																																																																		
47	206-032-418-001	.ANGLE	1	1	U																																																																		
48	NAS697A3	.NUTPLATE (REPLACED BY MS21069L3)	13																																																																				
48	MS21069L3	.NUTPLATE (REPLACES NAS697A3)	13	1																																																																			
<p>NOTE 1: USE 206-031-307-103 ANGLE AND 206-033-003-141 SUPPORT AS A UNIT</p>																																																																							
<p style="text-align: center;">USABLE ON CODES</p>																																																																							
<table border="0" style="width: 100%;"> <thead> <tr> <th style="text-align: left;">CODE</th> <th style="text-align: left;">MODEL</th> <th style="text-align: left;">SERIAL NUMBER</th> </tr> </thead> <tbody> <tr><td>A</td><td>206A</td><td>4-53</td></tr> <tr><td>B</td><td>206A</td><td>4-103</td></tr> <tr><td>C</td><td>206A</td><td>54-103</td></tr> <tr><td>D</td><td>206A</td><td>104-153</td></tr> <tr><td>E</td><td>206A</td><td>4-497</td></tr> <tr><td>F</td><td>206A/B</td><td>4-1163</td></tr> <tr><td>G</td><td>206A/B</td><td>104-1163</td></tr> <tr><td>H</td><td>206A/B</td><td>498-1163</td></tr> <tr><td>J</td><td>206A/B</td><td>4-1251</td></tr> <tr><td>K</td><td>206A/B</td><td>498-1251</td></tr> <tr><td>L</td><td>206A/B</td><td>4-1413</td></tr> <tr><td>M</td><td>206A/B</td><td>4-2058</td></tr> <tr><td>N</td><td>206B</td><td>1252-1413</td></tr> <tr><td>P</td><td>206B</td><td>1414-2058</td></tr> <tr><td>Q</td><td>206B/BIII</td><td>2059-3906</td></tr> <tr><td>R</td><td>206B/BIII</td><td>2059-4271</td></tr> <tr><td>S</td><td>206B/BIII</td><td>1414-SUB</td></tr> <tr><td>T</td><td>206B/BIII</td><td>2059-SUB</td></tr> <tr><td>U</td><td>206A/B/BIII</td><td>4-3906</td></tr> <tr><td>V</td><td>206A/B/BIII</td><td>4-4271</td></tr> <tr><td>W</td><td>206A/B/BIII</td><td>4-4483</td></tr> </tbody> </table>						CODE	MODEL	SERIAL NUMBER	A	206A	4-53	B	206A	4-103	C	206A	54-103	D	206A	104-153	E	206A	4-497	F	206A/B	4-1163	G	206A/B	104-1163	H	206A/B	498-1163	J	206A/B	4-1251	K	206A/B	498-1251	L	206A/B	4-1413	M	206A/B	4-2058	N	206B	1252-1413	P	206B	1414-2058	Q	206B/BIII	2059-3906	R	206B/BIII	2059-4271	S	206B/BIII	1414-SUB	T	206B/BIII	2059-SUB	U	206A/B/BIII	4-3906	V	206A/B/BIII	4-4271	W	206A/B/BIII	4-4483
CODE	MODEL	SERIAL NUMBER																																																																					
A	206A	4-53																																																																					
B	206A	4-103																																																																					
C	206A	54-103																																																																					
D	206A	104-153																																																																					
E	206A	4-497																																																																					
F	206A/B	4-1163																																																																					
G	206A/B	104-1163																																																																					
H	206A/B	498-1163																																																																					
J	206A/B	4-1251																																																																					
K	206A/B	498-1251																																																																					
L	206A/B	4-1413																																																																					
M	206A/B	4-2058																																																																					
N	206B	1252-1413																																																																					
P	206B	1414-2058																																																																					
Q	206B/BIII	2059-3906																																																																					
R	206B/BIII	2059-4271																																																																					
S	206B/BIII	1414-SUB																																																																					
T	206B/BIII	2059-SUB																																																																					
U	206A/B/BIII	4-3906																																																																					
V	206A/B/BIII	4-4271																																																																					
W	206A/B/BIII	4-4483																																																																					
<p>1) UNLESS A USABLE ON PART NUMBER IS LISTED IN THE ITEM NAME COLUMN; NO CODE INDICATES THE PART APPLIES TO ALL SERIAL NUMBERS.</p>																																																																							
<p>2) IF THE SERIAL NUMBER IS BLANK THE PART APPLIES TO ALL SERIAL NUMBERS FOR THAT MODEL.</p>																																																																							



206A/B/B3-53-1046
C0000

Figure 53-40. Tailboom assembly

(1) INDEX NUMBER	(2) PART NUMBER	(3) ITEM NAME	(4) UNIT PER ASSY	(5) A V A I L	(6) U O C
		FIGURE: 53-40. Tailboom assembly			
	206-031-004-001	TAILBOOM ASSY (SEE FIG. 39 FOR BALANCE OF BREAKDOWN) (REPLACED BY 206-031-004-011)	REF		A
	206-031-004-003	TAILBOOM ASSY (SEE FIG. 39 FOR BALANCE OF BREAKDOWN) (REPLACED BY 206-031-004-011)	REF		C
	206-031-004-009	TAILBOOM ASSY (SEE FIG. 39 FOR BALANCE OF BREAKDOWN) (REPLACED BY 206-031-004-011)	REF		D
	206-031-004-011	TAILBOOM ASSY (SEE FIG. 39 FOR BALANCE OF BREAKDOWN) (REPLACES 206-031-004-001, -003 AND -009) (REPLACED BY 206-031-004-121)	REF	0	B
	206-031-004-071	TAILBOOM ASSY (SEE FIG. 39 FOR BALANCE OF BREAKDOWN) (REPLACED BY 206-031-004-097)	REF	0	F
	206-031-004-097	TAILBOOM ASSY (SEE FIG. 39 FOR BALANCE OF BREAKDOWN) (REPLACES 206-031-004-071) (REPLACED BY 206-031-004-121)	REF	0	G
	206-031-004-121	TAILBOOM ASSY (SEE FIG. 39 FOR BALANCE OF BREAKDOWN) (REPLACES 206-031-004-011, -071 AND -097) (REPLACED BY 206-031-004-159)	REF		E
	206-031-004-159	TAILBOOM, ASSY (SEE FIG. 39 FOR BALANCE OF BREAKDOWN) (REPLACES 206-031-004-121)	REF		E
	206-031-004-095	TAILBOOM ASSY (SEE FIG. 39 FOR BALANCE OF BREAKDOWN) (REPLACED BY 206-031-004-155)	REF	0	J
	206-031-004-111	TAILBOOM ASSY (SEE FIG. 39 FOR BALANCE OF BREAKDOWN) (REPLACED BY 206-031-004-155)	REF	0	K
	206-031-004-115	TAILBOOM ASSY (SEE FIG. 39 FOR BALANCE OF BREAKDOWN) (REPLACED BY 206-031-004-147 AND -155)	REF		L
	206-031-004-147	TAILBOOM ASSY (SEE FIG. 39 FOR BALANCE OF BREAKDOWN) (REPLACES 206-031-004-115) (REPLACED BY 206-031-004-155)	REF		M
	206-031-004-155	TAILBOOM ASSY (SEE FIG. 39 FOR BALANCE OF BREAKDOWN) (REPLACES 206-031-004-147, -115, -111 AND -095)	REF		N
1	NAS697A3	.NUTPLATE (REPLACED BY MS21069L3)	15		
1	MS21069L3	.NUTPLATE (REPLACES NAS697A3)	15	1	
2	NAS1068A4	.NUTPLATE (REPLACED BY MS21075L4)	4	0	H
2	MS21075L4	.NUTPLATE (REPLACES NAS1068A4) (REPLACED BY MS21075L4N)	4		H
2	MS21075L4N	.NUTPLATE (REPLACES MS21075L4)	4	1	H
3	206-031-004-061	.SKIN, UPPER	1		B
3	206-031-004-075	.SKIN, UPPER (USBL ON 206-031-004-071 AND -097) . .	1	0	
3	206-031-004-123	.SKIN, UPPER (USBL ON 206-031-004-121)	1		
3	206-031-004-105	.SKIN, UPPER (USBL ON 206-031-004-095)	1	0	
3	206-031-004-113	.SKIN, UPPER (USBL ON 206-031-004-111)	1		
3	206-031-004-119	.SKIN, UPPER (USBL ON 206-031-004-115)	1	0	
3	206-031-004-135	.SKIN, UPPER (USBL ON 206-031-004-147, -155 AND . . -159)	1	6	
4	206-031-004-063	.SKIN, LOWER (USBL ON 206-031-004-011, -071 AND . . -097)	1	0	
4	206-031-004-125	.SKIN, LOWER (USBL ON 206-031-004-121)	1	0	
4	206-031-004-099	.SKIN, LOWER (USBL ON 206-031-004-095 AND -111) . .	1	0	

(1) INDEX NUMBER	(2) PART NUMBER	(3) ITEM NAME	(4) UNIT PER ASSY	(5) A V A I L	(6) U O C
		FIGURE: 53-40. Tailboom assembly (Cont'd)			
4	206-031-004-117	.SKIN, LOWER (USBL ON 206-031-004-115)	1		
4	206-031-004-149	.SKIN, LOWER (USBL ON 206-031-004-147, -155 AND . . -159)	1	6	
5	206-031-004-019	.SKIN, AFT (USBL ON 206-031-004-001, -003 AND -009)	1		
5	206-031-004-065	.SKIN, AFT (USBL ON 206-031-004-011)	1		
5	206-031-004-087	.SKIN, AFT (USBL ON 206-031-004-071, -097 AND -121)	1	0	
5	206-031-004-101	.SKIN, AFT (USBL ON 206-031-004-095, -111 AND -115)	1	6	
5	206-031-004-139	.SKIN, AFT (USBL ON 206-031-004-147 AND -155) (REPLACED BY 206-031-004-157)	1	0	
5	206-031-004-157	.SKIN, AFT (USBL ON 206-031-004-147, -155 AND -159) (REPLACES 206-031-004-139)	1		
	206-031-400-001	.BULKHEAD INSTL (USBL ON 206-031-004-001, -003 . . . AND -009)	1		
	206-031-400-015	.BULKHEAD INSTL (USBL ON 206-031-004-011, -071, . . -095, -097 AND -111)	1		
	206-031-400-017	.BULKHEAD INSTL (USBL ON 206-031-004-115, -121, . . -147, -155 AND -159)	1		
6	206-031-400-003	..BULKHEAD ASSY	1	1	
7	206-031-405-001	..SUPPORT ASSY (USBL ON 206-031-400-001) (REPLACED BY 206-031-405-009)	1		
7	206-031-405-005	..SUPPORT ASSY (USBL ON 206-031-400-015) (REPLACED BY 206-031-405-009)	1	0	
7	206-031-405-009	..SUPPORT ASSY (REPLACES 206-031-405-001 AND -005)	1	1	
8	206-030-435-001	..FAIRLEAD (USBL ON 206-031-405-001 AND -005)	1	1	
9	MS21042L3	..NUT (USBL ON 206-031-405-009)	2	1	
10	AN960PD10	..WASHER (USBL ON 206-031-405-009) (REPLACED BY . . AN960JD10)	2		
10	AN960JD10	..WASHER (USBL ON 206-031-405-009) (REPLACES AN960PD10) (REPLACED BY NAS1149D0363J)	2		
10	NAS1149D0363J	..WASHER (USBL ON 206-031-405-009) (REPLACES AN960JD10)	2		
11	MS27039-1-10	..SCREW (USBL ON 206-031-405-009)	2	1	
12	60-008-21	..GROMMET (USBL ON 206-031-405-009)	1	1	
	206-031-402-001	.INTERCOSTAL INSTL (USBL ON 206-031-004-001, -003, -009, -011, -071, -095, -097, -111, -115 AND -121)	1		
	206-031-402-101	.INTERCOSTAL INSTL (USBL ON 206-031-004-147 AND . . -155)	1		
13	206-031-403-001	..FITTING	3		
14	206-031-403-003	..FITTING (USBL ON 206-031-402-001) (REPLACED BY . . 206-032-409-001)	1		
14	206-032-409-001	..FITTING (REPLACES 206-031-403-003)	1		
15	206-031-402-018	..INTERCOSTAL	2		
16	206-031-402-021	..INTERCOSTAL	1		
17	206-031-402-022	..INTERCOSTAL	1		
18	206-031-402-023	..INTERCOSTAL	1		

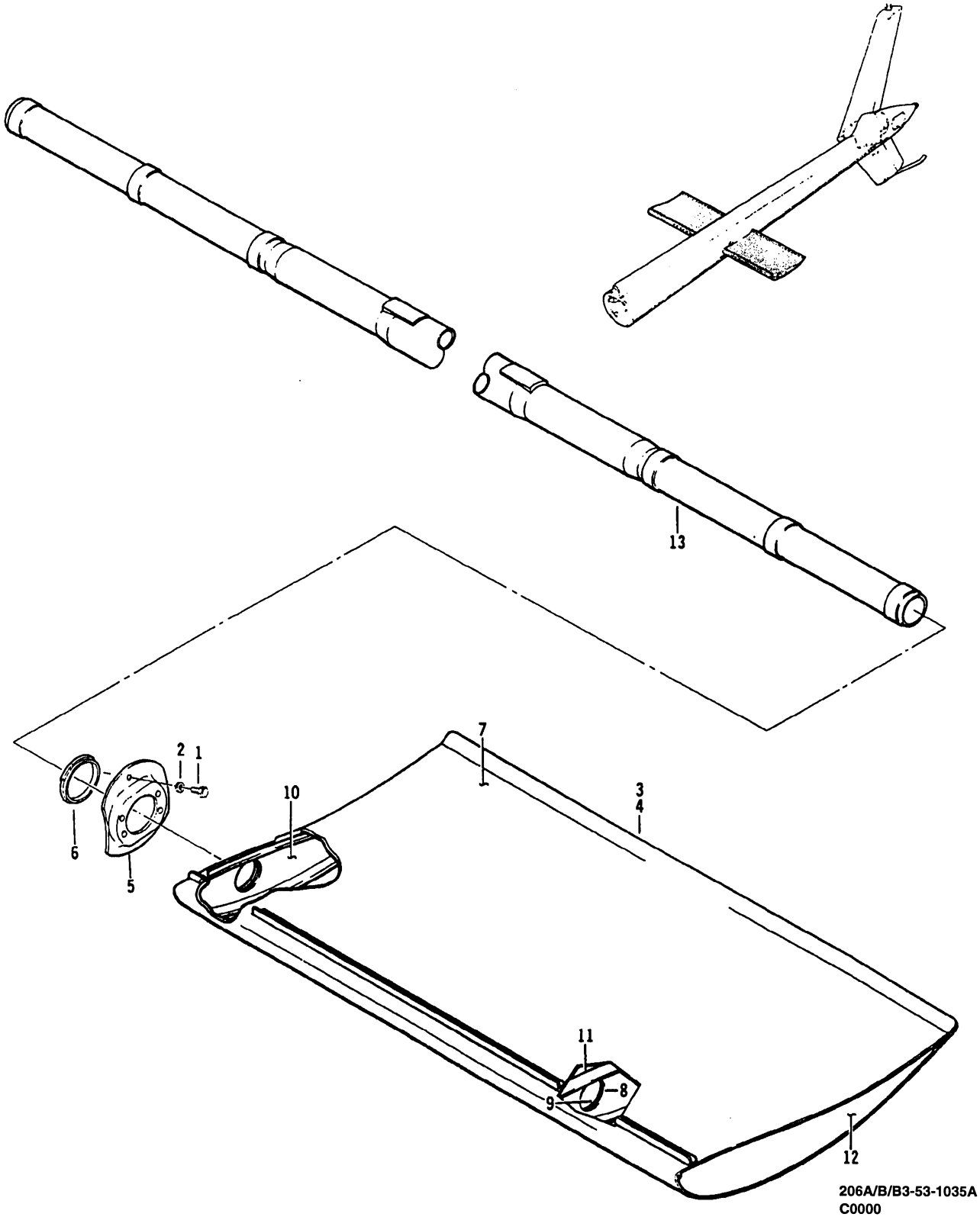
(1) INDEX NUMBER	(2) PART NUMBER	(3) ITEM NAME	(4) UNIT PER ASSY	(5) A V A I L	(6) U O C
		FIGURE: 53-40. Tailboom assembly (Cont'd)			
19	206-031-402-020	..INTERCOSTAL	1		
20	206-031-402-019	..INTERCOSTAL	1		
21	206-031-402-017	..INTERCOSTAL	1		
	206-031-406-001	.SUPPORT INSTL	1		
22	206-031-406-003	..SUPPORT	1		
	206-031-401-001	.BULKHEAD INSTL (USBL ON 206-031-004-001, -003, .. -009, -011, -071, -095, -097 AND -111)	1		
	206-031-401-007	.BULKHEAD INSTL (USBL ON 206-031-004-115, -121, .. -147, -155 AND -159)	1		
23	206-031-401-003	..BULKHEAD (USBL ON 206-031-401-001)	1	0	
23	206-031-401-009	..BULKHEAD (USBL ON 206-031-401-007)	1		
	206-031-409-001	.SUPPORT INSTL (USBL ON 206-031-004-001, -003, ... -009, -011, -071, -095, -097 AND -111)	1		
	206-031-409-005	.SUPPORT INSTL (USBL ON 206-031-004-115, -121, ... -147, -155 AND -159)	1		
24	206-031-409-003	..SUPPORT ASSY (USBL ON 206-031-409-001)	1	0	
24	206-031-409-007	..SUPPORT ASSY (USBL ON 206-031-409-005)	1		
25	206-030-435-001	..FAIRLEAD (USBL ON 206-031-409-003)	1	1	
26	MS21042L3	..NUT (USBL ON 206-031-409-007)	2	1	
27	AN960PD10	..WASHER (USBL ON 206-031-409-007) (REPLACED BY .. AN960JD10)	2		
27	AN960JD10	..WASHER (USBL ON 206-031-409-007) (REPLACES ... AN960PD10) (REPLACED BY NAS1149D0363J)	2		
27	NAS1149D0363J	..WASHER (USBL ON 206-031-409-007) (REPLACES ... AN960JD10)	2		
28	MS27039-1-10	...SCREW (USBL ON 206-031-409-007)	2	1	
29	60-008-21	..GROMMET (USBL ON 206-031-409-007)	1	1	
	206-031-410-001	.SUPPORT INSTL (USBL ON 206-031-004-001)	1		
	206-031-410-005	.SUPPORT INSTL (USBL ON 206-031-004-003)	1		
	206-031-410-009	.SUPPORT INSTL (USBL ON 206-031-004-009, -011, ... -071, -095, AND -097)	1		
	206-031-410-011	.SUPPORT INSTL (USBL ON 206-031-004-111)	1		
	206-031-410-013	.SUPPORT INSTL (USBL ON 206-031-004-115, -121, ... -147, -155 AND -159)	1	0	
30	206-031-410-041	..DOUBLER, LH (USBL ON 206-031-410-009)	1	0	
		(REPLACED BY 206-031-410-057)			
30	206-031-410-057	..DOUBLER, LH (USBL ON 206-031-410-013)	1		
		(REPLACES 206-031-410-041)			
30	206-031-410-045	..DOUBLER, LH (USBL ON 206-031-410-011)	1	6	
30	206-031-410-043	..DOUBLER, RH (USBL ON 206-031-410-009)	1		
		(REPLACED BY 206-031-410-059)			
30	206-031-410-059	..DOUBLER, RH (USBL ON 206-031-410-013)	1		
		(REPLACES 206-031-410-043)			
30	206-031-410-047	..DOUBLER, RH (USBL ON 206-031-410-011)	1	6	
31	206-031-410-033	..DOUBLER, LH (USBL ON 206-031-410-009 AND -011) ..	1	0	
31	206-031-410-055	..DOUBLER, LH (USBL ON 206-031-410-013)	1		
31	206-031-410-034	..DOUBLER, RH (USBL ON 206-031-410-009 AND -011) ..	1	0	
31	206-031-410-056	..DOUBLER, RH (USBL ON 206-031-410-013)	1		
32	206-031-410-021	..SUPPORT	1	1	

(1) INDEX NUMBER	(2) PART NUMBER	(3) ITEM NAME	(4) UNIT PER ASSY	(5) A V A I L	(6) U O C
FIGURE: 53-40. Tailboom assembly (Cont'd)					
33	206-031-410-035	..CHANNEL (USBL ON 206-031-410-009, -011 AND -013)	2		
33	206-031-410-029	..CHANNEL (USBL ON 206-031-004-005)	2		
34	206-031-410-031	..CHANNEL (USBL ON 206-031-410-005)	2		
34	206-031-410-037	..CHANNEL (USBL ON 206-031-410-009, -011 AND -013)	2		
35	206-031-410-027	..BULKHEAD (USBL ON 206-031-410-005, -009, -011 . . AND -013)	1		
36	206-031-410-003	..BULKHEAD ASSY (USBL ON 206-031-410-001)	1		
36	206-031-410-007	..BULKHEAD ASSY (USBL ON 206-031-410-005, -009 . . . AND -011)	1	0	
36	206-031-410-049	..BULKHEAD ASSY (USBL ON 206-031-410-013)	1		
37	206-030-435-001	..FAIRLEAD (USBL ON 206-03-410-007)	1	1	
38	MS21042L3	..NUT (USBL ON 206-031-410-049)	2	1	
39	AN960PD10	..WASHER (USBL ON 206-031-410-049) (REPLACED BY . AN960JD10)	2		
39	AN960JD10	..WASHER (USBL ON 206-031-410-049) (REPLACES . . . AN960PD10) (REPLACED BY NAS1149D0363J)	2		
39	NAS1149D0363J	..WASHER (USBL ON 206-031-410-049) (REPLACES . . . AN960JD10)	2		
40	MS27039-1-10	..SCREW (USBL ON 206-031-410-049)	2	1	
41	60-008-21	..GROMMET (USBL ON 206-031-410-049)	1	1	
42	206-031-410-025	..BULKHEAD (USBL ON 206-031-410-007)	1		
42	206-031-410-053	..BULKHEAD (USBL ON 206-031-410-049)	1	1	
	206-031-413-001	..SUPPORT INSTL (USBL ON 206-031-004-001, -003, . . . -009, -011, -071, -095, -097 AND -111)	1		
	206-031-413-005	..SUPPORT INSTL (USBL ON 206-031-004-115, -121, . . . -147, -155 AND -159)	1		
43	206-031-413-003	..SUPPORT ASSY (USBL ON 206-031-413-001)	1	0	
43	206-031-413-007	..SUPPORT ASSY (USBL ON 206-031-413-005)	1		
44	206-030-435-001	..FAIRLEAD (USBL ON 206-031-413-003)	1	1	
45	MS21042L3	..NUT (USBL ON 206-031-413-007)	2	1	
46	AN960PD10	..WASHER (USBL ON 206-031-413-007) (REPLACED BY . AN960JD10)	2		
46	AN960JD10	..WASHER (USBL ON 206-031-413-007) (REPLACES . . . AN960PD10) (REPLACED BY NAS1149D0363J)	2		
46	NAS1149D0363J	..WASHER (USBL ON 206-031-413-007) (REPLACES . . . AN960JD10)	2		
47	MS27039-1-10	..SCREW (USBL ON 206-031-413-007)	2	1	
48	60-008-21	..GROMMET (USBL ON 206-031-413-007)	1	1	
	206-031-412-001	..SUPPORT INSTL (USBL ON 206-031-004-001, -003, . . . -009, -011, -071, -095, -097 AND -111)	1		
	206-031-412-015	..SUPPORT INSTL (USBL ON 206-031-004-115, -121, . . . -147, -155 AND -159)	1		
49	206-031-412-013	..LOOP (MAKE FROM 90-009-9)	1	1	
49	90-009-9	..LOOP	1		
50	206-031-412-003	..SUPPORT ASSY (USBL ON 206-031-412-001)	1	0	
50	206-031-412-017	..SUPPORT ASSY (USBL ON 206-031-412-015)	1		
51	206-030-435-001	..FAIRLEAD (USBL ON 206-031-412-003)	1	1	
52	MS21042L3	..NUT (USBL ON 206-031-412-017)	2	1	

(1) INDEX NUMBER	(2) PART NUMBER	(3) ITEM NAME	(4) UNIT PER ASSY	(5) A V A I L	(6) U O C
FIGURE: 53-40. Tailboom assembly (Cont'd)					
53	AN960PD10	...WASHER (USBL ON 206-031-412-017) (REPLACED BY AN960JD10)	2		
53	AN960JD10	...WASHER (USBL ON 206-031-412-017) (REPLACES AN960PD10) (REPLACED BY NAS1149D0363J)	2		
53	NAS1149D0363J	...WASHER (USBL ON 206-031-412-017) (REPLACES AN960JD10)	2		
54	MS27039-1-10	...SCREW (USBL ON 206-031-412-017)	2	1	
55	60-008-21	...GROMMET (USBL ON 206-031-412-017)	1	1	
56	206-031-004-023	.PLATE (USBL ON 206-031-004-001, -003, -009, -011, -071, -095, -097, -111, -115 AND -121)	1		
57	206-031-004-035	.DOUBLER (USBL ON 206-031-004-001, -003, -009, -011, -071, -095, -097, -111, -115 AND -121)	1		
58	206-031-004-025	.DOUBLER (USBL ON 206-031-004-001, -003, -009, -011, -071, -095, -097, -111, -115 AND -121)	1		
59	HL70-5	.COLLAR (USBL ON 206-031-004-071, -095, -097, -111, -115 AND -121) (REPLACED BY HL70TW5)	2		
59	HL70TW5	.COLLAR (USBL ON 206-031-004-071, -095, -097, -111, -115 AND -121) (REPLACES HL70-5)	2		
60	140-001-003	.WASHER (USBL ON 206-031-004-071, -095, -097, -111, -115 AND -121)	2		
61	HL18-5-3	.PIN (USBL ON 206-031-004-071, -095, -097, -111, -115 AND -121) (REPLACED BY HL18P8-5-3)	2		
61	HL18P8-5-3	.PIN (USBL ON 206-031-004-071, -095, -097, -111, -115 AND -121) (REPLACES HL18-5-3)	2		
62	206-031-004-055	.SUPPORT ASSY (USBL ON 206-031-004-071, -095, -097, -111, -115 AND -121)	1		
63	206-032-419-001	..PLATE	2		
	206-031-414-001	.BULKHEAD INSTL (USBL ON 206-031-004-001, -003, -009 AND -011)	1		
	206-031-414-007	.BULKHEAD INSTL (USBL ON 206-031-004-071, -097 AND -121)	1		
	206-031-414-013	.BULKHEAD INSTL (USBL ON 206-031-004-095, -111 AND -115)	1		
64	206-031-414-005	..CLIP	1		
65	206-031-419-001	..SUPPORT	1		
66	HL70-5	..COLLAR (USBL ON 206-031-414-007 AND -013) (REPLACED BY HL70TW5)	1		
66	HL70TW5	..COLLAR (USBL ON 206-031-414-007 AND -013) (REPLACES HL70-5)	1		
67	140-001-3	..WASHER (USBL ON 206-031-414-007 AND -013)	1	1	
68	HL18P8-5-4	..BOLT (USBL ON 206-031-414-007 AND -013)	1		
69	206-031-414-003	..BULKHEAD (USBL ON 206-031-414-001)	1		
69	206-031-414-011	..BULKHEAD ASSY (USBL ON 206-031-414-007 AND -013)	1		
70	206-031-417-003	.SUPPORT (NOTE 1) (USBL ON 206-031-004-001, -003, -009, -011, -071, -095, -097 AND -111)	1		
70	206-031-417-007	.SUPPORT (NOTE 2) (USBL ON 206-031-004-111, -115 AND -121)	1	1	
	206-031-426-001	.SUPPORT INSTL (USBL ON 206-031-004-003, -009, -011, -071, -095, -097 AND -111)	1		

(1) INDEX NUMBER	(2) PART NUMBER	(3) ITEM NAME	(4) UNIT PER ASSY	(5) A V A I L	(6) U O C
		FIGURE: 53-40. Tailboom assembly (Cont'd)			
	206-031-426-005	.SUPPORT INSTL (USBL ON 206-031-004-111, -115 AND -121)	1		
71	206-031-418-001	..SUPPORT (USBL ON 206-031-426-001)	1		
71	206-031-418-005	..SUPPORT (USBL ON 206-031-426-005)	1		
	206-031-425-001	.BULKHEAD INSTL (USBL ON 206-031-004-003, -009, . . -011)	1		
	206-031-425-005	.BULKHEAD INSTL (USBL ON 206-031-004-071, -095, . . . -097, -111, -115 AND -121)	1		
72	206-030-446-001F	..BULKHEAD	1	1	
73	206-031-425-003	..CLIP (USBL ON 206-031-425-001)	1		
74	206-033-426-003	.SUPPORT ASSY (USBL ON 206-031-004-147, -155 AND . . -159)	1	0	
75	NAS697A3	.NUTPLATE (USBL ON 206-031-004-001, -003, -009, . . -011, -071, -097 AND -121) (REPLACED BY MS21069L3)	13		
75	MS21069L3	.NUTPLATE (USBL ON 206-031-004-001, -003, -009, . . -011, -071, -097 AND -121) (REPLACES NAS697A3)	13	1	
76	MS21075L3	.NUTPLATE (USBL ON 206-031-004-095, -111 AND -115)	6		
77	MS21075L3	.NUTPLATE (USBL ON 206-031-004-159)	4		
78	MS21061L3	.NUTPLATE (USBL ON 206-031-004-147, -155 AND -159)	2	1	
79	206-031-004-103	.SPLICE (USBL ON 206-031-004-095, -111 AND -115) . .	1	0	
80	NAS578-4A	.RETAINER (USBL ON 206-031-004-147, -155 AND -159)	4	1	
81	NAS577-4A	.NUT (USBL ON 206-031-004-147, -155 AND -159) (REPLACED BY NAS577B4A)	4	0	
81	NAS577B4A	.NUT (USBL ON 206-031-004-147, -155 AND -159) (REPLACES NAS577-4A)	4	1	
		NOTE 1: FOR S/N 414-1452, 1758-1782 AS USED IN THE 206-031-004-111 TAIL BOOM ASSY.			
		NOTE 2: FOR S/N 1453-1757, 1783-SUB AS USED IN THE 206-031-004-111 TAIL BOOM ASSY.			

(1) INDEX NUMBER	(2) PART NUMBER	(3) ITEM NAME	(4) UNIT PER ASSY	(5) A V A I L	(6) U O C																																										
		<p>FIGURE: 53-40. Tailboom assembly (Cont'd)</p> <p style="text-align: center;">USABLE ON CODES</p> <table border="0" style="width: 100%;"> <thead> <tr> <th style="text-align: left;">CODE</th> <th style="text-align: left;">MODEL</th> <th style="text-align: left;">SERIAL NUMBER</th> </tr> </thead> <tbody> <tr><td>A</td><td>206A</td><td>4-53</td></tr> <tr><td>B</td><td>206A</td><td>4-497</td></tr> <tr><td>C</td><td>206A</td><td>54-103</td></tr> <tr><td>D</td><td>206A</td><td>104-153</td></tr> <tr><td>E</td><td>206A/B</td><td>4-1251</td></tr> <tr><td>F</td><td>206A/B</td><td>498-1163</td></tr> <tr><td>G</td><td>206A/B</td><td>498-1251</td></tr> <tr><td>H</td><td>206A/B/BIII</td><td>54-SUB</td></tr> <tr><td>J</td><td>206B</td><td>1252-1413</td></tr> <tr><td>K</td><td>206B</td><td>1414-2058</td></tr> <tr><td>L</td><td>206B/BIII</td><td>2059-3906</td></tr> <tr><td>M</td><td>206B/BIII</td><td>2059-4271</td></tr> <tr><td>N</td><td>206B/BIII</td><td>4272-SUB</td></tr> </tbody> </table> <p>1) UNLESS A USABLE ON PART NUMBER IS LISTED IN THE ITEM NAME COLUMN; NO CODE INDICATES THE PART APPLIES TO ALL SERIAL NUMBERS.</p> <p>2) IF THE SERIAL NUMBER IS BLANK THE PART APPLIES TO ALL SERIAL NUMBERS FOR THAT MODEL.</p>	CODE	MODEL	SERIAL NUMBER	A	206A	4-53	B	206A	4-497	C	206A	54-103	D	206A	104-153	E	206A/B	4-1251	F	206A/B	498-1163	G	206A/B	498-1251	H	206A/B/BIII	54-SUB	J	206B	1252-1413	K	206B	1414-2058	L	206B/BIII	2059-3906	M	206B/BIII	2059-4271	N	206B/BIII	4272-SUB			
CODE	MODEL	SERIAL NUMBER																																													
A	206A	4-53																																													
B	206A	4-497																																													
C	206A	54-103																																													
D	206A	104-153																																													
E	206A/B	4-1251																																													
F	206A/B	498-1163																																													
G	206A/B	498-1251																																													
H	206A/B/BIII	54-SUB																																													
J	206B	1252-1413																																													
K	206B	1414-2058																																													
L	206B/BIII	2059-3906																																													
M	206B/BIII	2059-4271																																													
N	206B/BIII	4272-SUB																																													

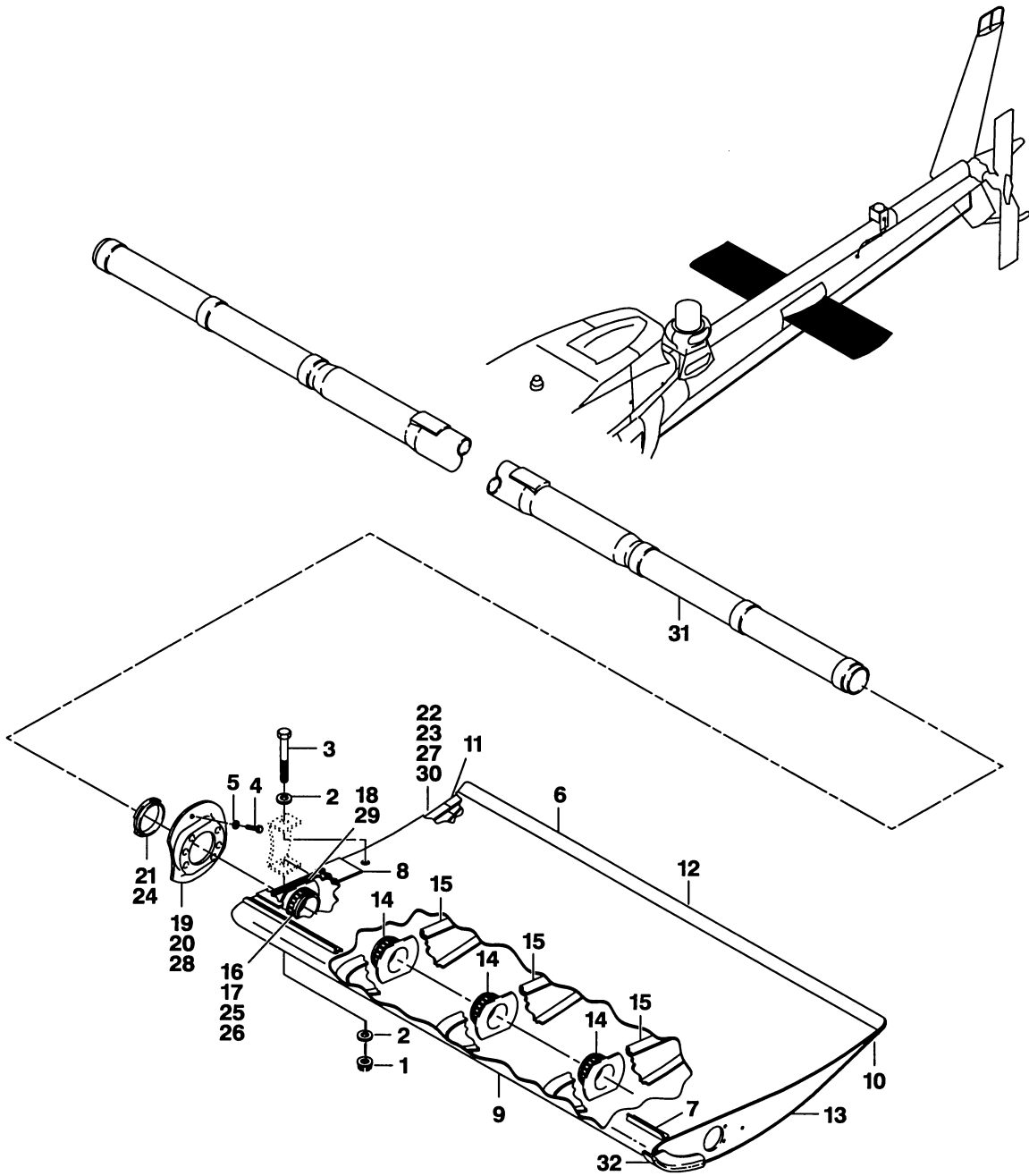


206A/B/B3-53-1035A
C0000

Figure 53-41. Stabilizer installation, horizontal (S/N 4 thru 913)

(1) INDEX NUMBER	(2) PART NUMBER	(3) ITEM NAME	(4) UNIT PER ASSY	(5) A V A I L	(6) U O C
		FIGURE: 53-41. Stabilizer installation, horizontal (S/N 4 thru 913)			
	206-020-119-001	STABILIZER INSTL, HORIZONTAL	1		
	206-020-119-009	STABILIZER INSTL, HORIZONTAL	1		
	206-020-119-013	STABILIZER INSTL, HORIZONTAL	1		
1	AN4-6A	. BOLT	4	1	
2	AN960PD416L	. WASHER (REPLACED BY AN960JD416L)	4		
2	AN960JD416L	. WASHER (REPLACES AN960PD416L)	4		
3	206-020-119-003	. STABILIZER ASSY, LH	1	0	A
3	206-020-119-011	. STABILIZER ASSY, LH (REPLACED BY 206-020-119-049)	1	0	B
3	206-020-119-041	. STABILIZER ASSY, LH (REPLACED BY 206-020-119-049)	1		D
3	206-020-119-049	. STABILIZER ASSY, LH (REPLACES 206-020-119-011 . . . AND 041)	1		C
4	206-020-119-004	. STABILIZER ASSY, RH	1	0	A
4	206-020-119-012	. STABILIZER ASSY, RH (REPLACED BY 206-020-119-050)	1	0	B
4	206-020-119-042	. STABILIZER ASSY, RH (REPLACED BY 206-020-119-050)	1	0	D
4	206-020-119-050	. STABILIZER ASSY, RH (REPLACES 206-020-119-012 . . . AND -042)	1		C
5	206-020-121-001	. . FITTING ASSY	1		
6	206-020-122-001	. . BUSHING	1	0	
7	206-020-119-023	. . SKIN, LH (USBL ON 206-020-119-003 AND -011)	1		
7	206-020-119-024	. . SKIN, RH (USBL ON 206-020-119-004 AND -012)	1		
7	206-020-119-043	. . SKIN, LH (USBL ON 206-020-119-041 AND -049)	1	1	
7	206-020-119-044	. . SKIN, RH (USBL ON 206-020-119-042 AND -050)	1		
8	TS33-327	. . TETRASEAL	3	1	
9	206-020-119-025	. . RETAINER	3	6	
10	206-020-119-015	. . RIB, LH (USBL ON 206-020-119-003, -011 AND -041)	1	0	
10	206-020-119-016	. . RIB, RH (USBL ON 206-020-119-004, -012 AND -042)	1	0	
10	206-020-119-051	. . RIB, LH (USBL ON 206-020-119-049)	1	0	
10	206-020-119-052	. . RIB, RH (USBL ON 206-020-119-050)	1	0	
11	206-020-119-017	. . RIB, LH	3	1	
11	206-020-119-018	. . RIB, RH	3	1	
12	206-020-119-019	. . RIB, LH (USBL ON 206-020-119-003, -011 AND -041)	1	0	
12	206-020-119-020	. . RIB, RH (USBL ON 206-020-119-004, -012 AND -042)	1		
12	206-020-119-053	. . RIB, LH (USBL ON 206-020-119-049)	1		
12	206-020-119-054	. . RIB, RH (USBL ON 206-020-119-050)	1		
13	206-020-120-001	. SPAR ASSY	1		A
13	206-020-120-007	. SPAR ASSY	1		C

(1) INDEX NUMBER	(2) PART NUMBER	(3) ITEM NAME	(4) UNIT PER ASSY	(5) A V A I L	(6) U O C															
		<p>FIGURE: 53-41. Stabilizer installation, horizontal (S/N 4 thru 913) (Cont'd)</p> <p style="text-align: center;">USABLE ON CODES</p> <table border="0" style="margin-left: auto; margin-right: auto;"> <thead> <tr> <th style="text-align: left;">CODE</th> <th style="text-align: left;">MODEL</th> <th style="text-align: left;">SERIAL NUMBER</th> </tr> </thead> <tbody> <tr> <td>A</td> <td>206A</td> <td>4-103</td> </tr> <tr> <td>B</td> <td>206A</td> <td>104-153</td> </tr> <tr> <td>C</td> <td>206A</td> <td>104-913</td> </tr> <tr> <td>D</td> <td>206A</td> <td>154-913</td> </tr> </tbody> </table> <p>1) UNLESS A USABLE ON PART NUMBER IS LISTED IN THE ITEM NAME COLUMN; NO CODE INDICATES THE PART APPLIES TO ALL SERIAL NUMBERS.</p> <p>2) IF THE SERIAL NUMBER IS BLANK THE PART APPLIES TO ALL SERIAL NUMBERS FOR THAT MODEL.</p>	CODE	MODEL	SERIAL NUMBER	A	206A	4-103	B	206A	104-153	C	206A	104-913	D	206A	154-913			
CODE	MODEL	SERIAL NUMBER																		
A	206A	4-103																		
B	206A	104-153																		
C	206A	104-913																		
D	206A	154-913																		



206A/B/B3-53-1042
C0000

Figure 53-42. Stabilizer installation, horizontal (S/N 914 thru Sub)

(1) INDEX NUMBER	(2) PART NUMBER	(3) ITEM NAME	(4) UNIT PER ASSY	(5) A V A I L	(6) U O C
		FIGURE: 53-42. Stabilizer installation, horizontal (S/N 914 thru Sub)			
	206-020-123-001	STABILIZER INSTL, HORIZONTAL	1		
	206-020-123-005	STABILIZER INSTL, HORIZONTAL	1		
	206-020-123-009	STABILIZER INSTL, HORIZONTAL	1		
1	MS17825-3	.NUT (REPLACED BY MS14144L3)	2		D
1	MS14144L3	.NUT (REPLACES MS17825-3)	2	1	D
2	AN960PD10	.WASHER (REPLACED BY AN960JD10)	4		D
2	AN960JD10	.WASHER (REPLACES AN960PD10) (REPLACED BY NAS1149D0363J)	4		D
2	NAS1149D0363J	.WASHER (REPLACES AN960JD10)	4		D
3	AN23-54	.BOLT	2	1	D
4	AN4-6A	.BOLT	4	1	
5	AN960PD416L	.WASHER (REPLACED BY AN960JD416L)	4		
5	AN960JD416L	.WASHER (REPLACES AN960PD416L) (REPLACED BY NAS1149D0416J)	4	1	
5	NAS1149D0416J	.WASHER (REPLACES AN960JD416L)	4	1	
6	206-020-123-003	.STABILIZER ASSY, LH	1		A
6	206-020-123-007	.STABILIZER ASSY, LH (REPLACED BY 206-020-123-011)	1	0	C
6	206-020-123-011	.STABILIZER ASSY, LH (REPLACES 206-020-123-007) . .	1		D
6	206-020-123-004	.STABILIZER ASSY, RH	1		A
6	206-020-123-008	.STABILIZER ASSY, RH (REPLACED BY 206-020-123-012)	1		C
6	206-020-123-012	.STABILIZER ASSY, RH (REPLACES 206-020-123-008) . .	1		D
7	206-020-119-031	..SPOILER, LH (USBL ON 206-020-123-003, -008 AND . . -011)	1	0	
7	206-020-119-032	..SPOILER, RH (USBL ON 206-020-123-004, -008 AND . . -012) (REPLACED BY 206-020-119-031)	1	0	B
7	206-020-119-031	..SPOILER, RH (REPLACES 206-020-119-032)	1	0	
8	206-020-119-039	..DOUBLER	1	0	
9	206-020-123-017	..SKIN (USBL ON 206-020-123-003)	1		
9	206-020-123-018	..SKIN (USBL ON 206-020-123-004)	1		
9	206-020-123-039	..SKIN (USBL ON 206-020-123-007 AND -011)	1	0	
9	206-020-123-040	..SKIN (USBL ON 206-020-123-008 AND -012)	1	0	
10	206-020-119-027	..SEAL, LH (USBL ON 206-020-123-003, -007 AND -011)	1	0	
10	206-020-119-028	..SEAL, RH (USBL ON 206-020-123-004, -008 AND -012)	1	0	
11	206-020-119-029	..SEAL, LH (USBL ON 206-020-123-003, -007 AND -011)	1	0	
11	206-020-119-030	..SEAL, RH (USBL ON 206-020-123-004, -008 AND -012)	1	0	
12	206-020-119-045	..FILLER	1	0	
13	206-020-119-053	..RIB, LH (USBL ON 206-020-123-003, -007 AND -011)	1		
13	206-020-119-054	..RIB, RH (USBL ON 206-020-123-004, -008 AND -012)	1		
14	206-020-124-001	..CLAMP ASSY (USBL ON 206-020-123-003)	3	0	
14	206-020-124-002	..CLAMP ASSY (USBL ON 206-020-123-004)	3	0	
14	206-020-124-003	..CLAMP ASSY (USBL ON 206-020-123-007 AND -011) . .	3	1	

(1) INDEX NUMBER	(2) PART NUMBER	(3) ITEM NAME	(4) UNIT PER ASSY	(5) A V A I L	(6) U O C
		FIGURE: 53-42. Stabilizer installation, horizontal (S/N 914 thru Sub) (Cont'd)			
14	206-020-124-004	..CLAMP ASSY (USBL ON 206-020-123-008 AND -012) ..	3	1	
15	206-020-119-017	..RIB, LH (USBL ON 206-020-123-003, -007 AND -011)	3	1	
15	206-020-119-018	..RIB, RH (USBL ON 206-020-123-004, -008 AND -012)	3	1	
16	206-020-124-007	..CLAMP ASSY (USBL ON 206-020-123-007)	1	0	
16	206-020-124-008	..CLAMP ASSY (USBL ON 206-020-123-008)	1	0	
17	206-020-126-001	..CLAMP	1	6	
18	206-020-123-043	..DOUBLER, LH (USBL ON 206-020-123-007)	1	0	
18	206-020-123-044	..DOUBLER, RH (USBL ON 206-020-123-008)	1	0	
19	206-020-121-001	..FITTING ASSY (USBL ON 206-020-123-003, -004) . . .	1		
19	206-020-121-005	..FITTING ASSY, LH (USBL ON 206-020-123-007) (REPLACED BY 206-020-123-047)	1	0	
19	206-020-121-006	..FITTING ASSY, RH (USBL ON 206-020-123-008) (REPLACED BY 206-020-123-048)	1	0	
20	206-020-121-003	..FITTING (USBL ON 206-020-121-001)	1		
20	206-020-121-007	..FITTING (USBL ON 206-020-121-005)	1		
20	206-020-121-008	..FITTING (USBL ON 206-020-121-006)	1		
21	206-020-122-001	..BUSHING (USBL ON 206-020-121-001)	1	0	
21	206-020-122-003	..BUSHING (USBL ON 206-020-121-005 AND -006)	1	1	
22	206-020-119-051	..RIB, LH (USBL ON 206-020-123-003)	1	0	
22	206-020-119-052	..RIB, RH (USBL ON 206-020-123-004)	1	0	
22	206-020-123-041	..RIB ASSY, LH (USBL ON 206-020-123-007) (REPLACED BY 206-020-123-047)	1	0	
22	206-020-123-042	..RIB ASSY, RH (USBL ON 206-020-123-008) (REPLACED BY 206-0201-23-048)	1	0	
23	206-020-123-047	..RIB ASSY, LH (REPLACES 206-020-121-005 AND 206-020-123-041)	1		
23	206-020-123-048	..RIB ASSY, RH (REPLACES 206-020-121-006 AND 206-020-123-042)	1		
24	206-020-122-003	..BUSHING	1	1	
25	206-020-124-007	..CLAMP ASSY, LH	1	0	
25	206-020-124-008	..CLAMP ASSY, RH	1	0	
26	206-020-126-001	..CLAMP	1	6	
27	206-020-123-049	..RIB ASSY, LH	1		
27	206-020-123-050	..RIB ASSY, RH	1		
28	206-020-121-009	..FITTING, LH	1	0	
28	206-020-121-010	..FITTING, RH	1		
29	206-020-123-043	..DOUBLER, LH	1	0	
29	206-020-123-044	..DOUBLER, RH	1	0	
30	206-020-123-051	..RIB, LH	1	0	
30	206-020-123-052	..RIB, RH	1	0	
31	206-020-120-011	..SPAR ASSY	1	1	
32	206-075-370-003	SHIELD, LH	1	1	
32	206-075-370-004	SHIELD, RH	1	1	

(1) INDEX NUMBER	(2) PART NUMBER	(3) ITEM NAME	(4) UNIT PER ASSY	(5) A V A I L	(6) U O C																		
		<p>FIGURE: 53-42. Stabilizer installation, horizontal (S/N 914 thru Sub) (Cont'd)</p> <p style="text-align: center;">USABLE ON CODES</p> <table border="0" style="margin-left: auto; margin-right: auto;"> <thead> <tr> <th style="text-align: left;">CODE</th> <th style="text-align: left;">MODEL</th> <th style="text-align: left;">SERIAL NUMBER</th> </tr> </thead> <tbody> <tr> <td>A</td> <td>206B</td> <td>914-1413</td> </tr> <tr> <td>B</td> <td>206B/BIII</td> <td>914-4492</td> </tr> <tr> <td>C</td> <td>206B/BIII</td> <td>1414-2608</td> </tr> <tr> <td>D</td> <td>206B/BIII</td> <td>1414-SUB</td> </tr> <tr> <td>E</td> <td>206BIII</td> <td>2609-SUB</td> </tr> </tbody> </table> <p>1) UNLESS A USABLE ON PART NUMBER IS LISTED IN THE ITEM NAME COLUMN; NO CODE INDICATES THE PART APPLIES TO ALL SERIAL NUMBERS.</p> <p>2) IF THE SERIAL NUMBER IS BLANK THE PART APPLIES TO ALL SERIAL NUMBERS FOR THAT MODEL.</p>	CODE	MODEL	SERIAL NUMBER	A	206B	914-1413	B	206B/BIII	914-4492	C	206B/BIII	1414-2608	D	206B/BIII	1414-SUB	E	206BIII	2609-SUB			
CODE	MODEL	SERIAL NUMBER																					
A	206B	914-1413																					
B	206B/BIII	914-4492																					
C	206B/BIII	1414-2608																					
D	206B/BIII	1414-SUB																					
E	206BIII	2609-SUB																					

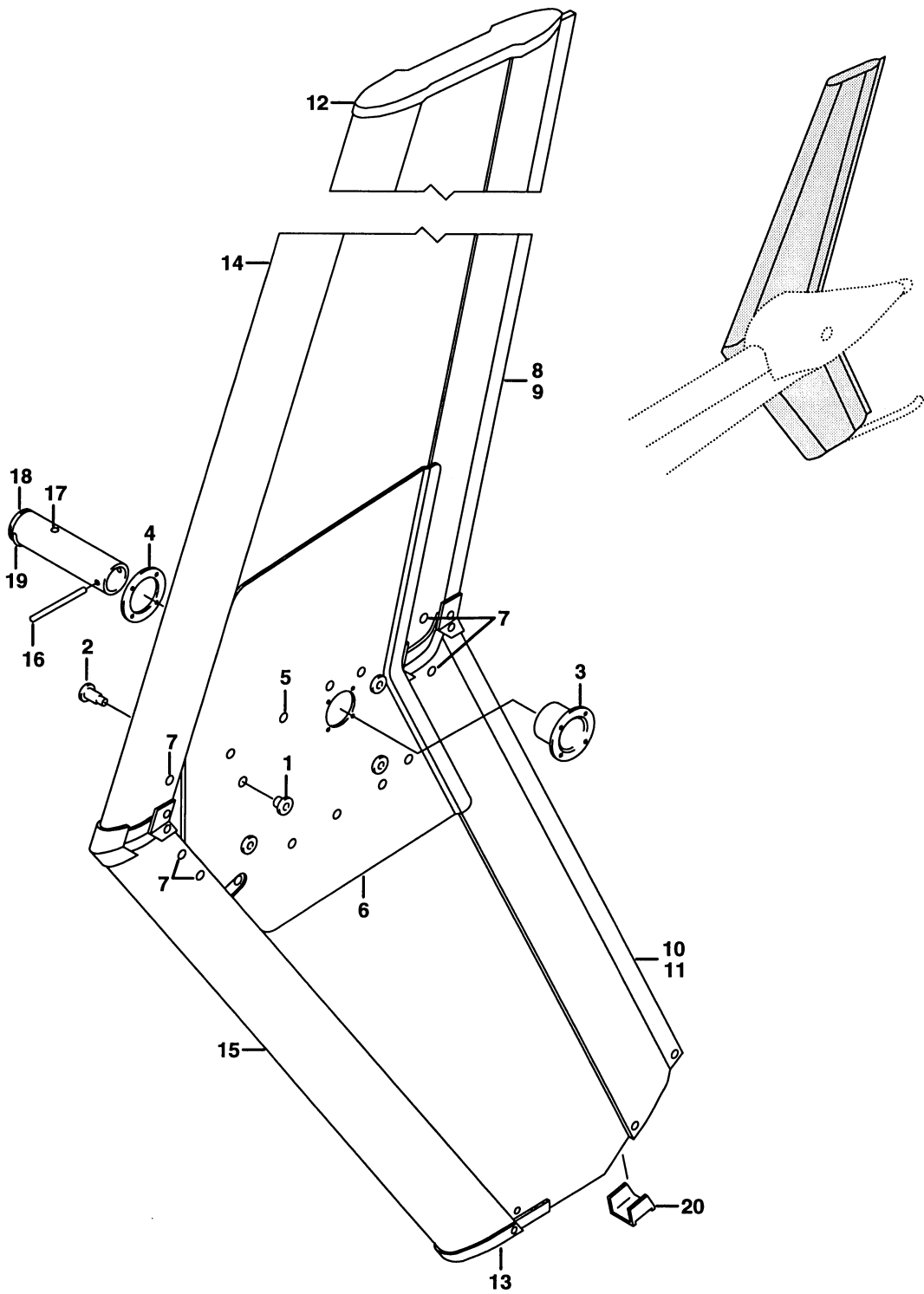
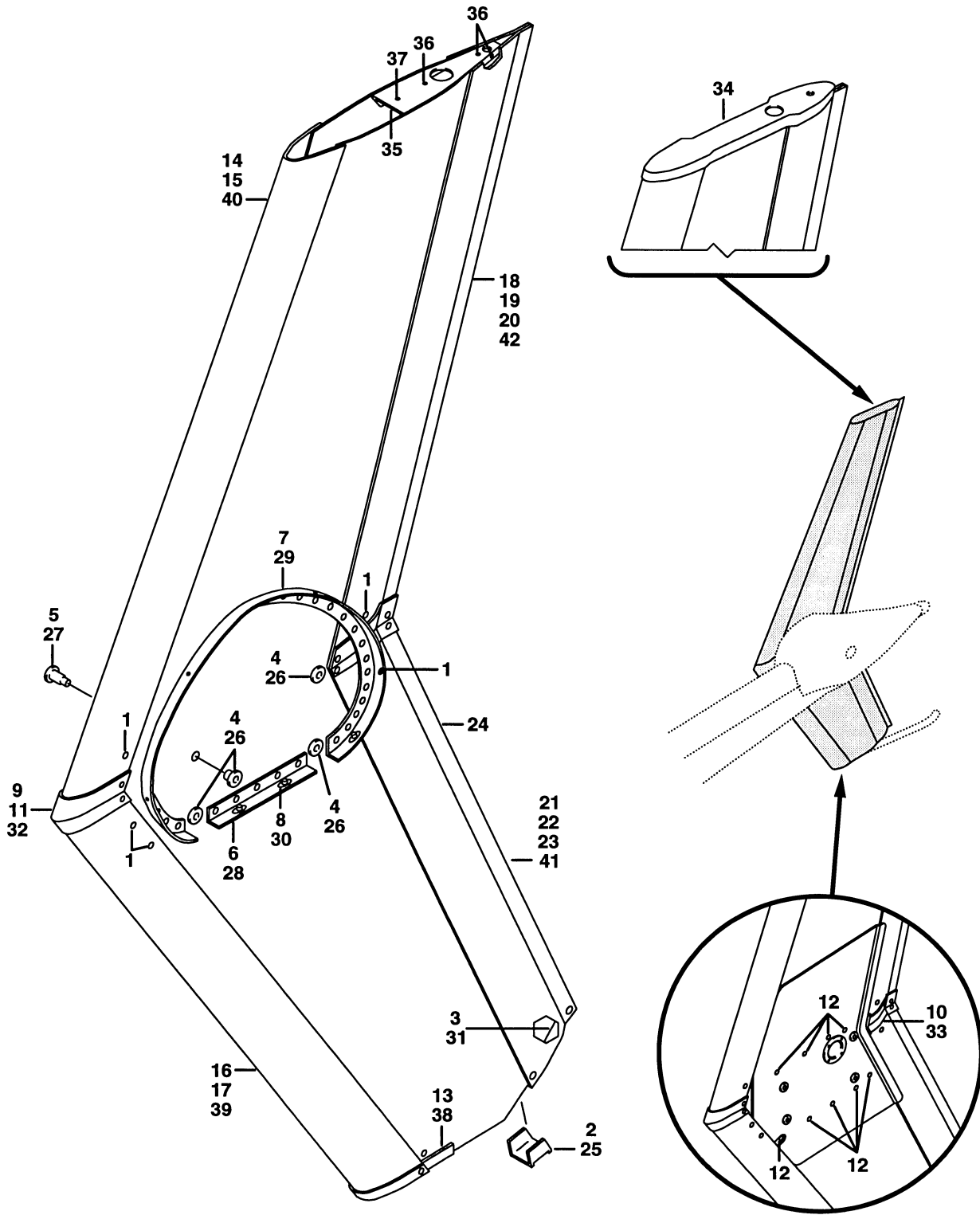


Figure 53-43. Fin assembly, tail (S/N 4 thru 1251)

206A/B/B3-53-1037
C0000

(1) INDEX NUMBER	(2) PART NUMBER	(3) ITEM NAME	(4) UNIT PER ASSY	(5) A V A I L	(6) U O C
		FIGURE: 53-43. Fin assembly, tail (S/N 4 thru 1251)			
	206-020-113-005	FIN ASSY, TAIL (SEE FIG. 37 FOR NHA)	1		A
	206-020-113-007	FIN ASSY, TAIL (SEE FIG. 37 FOR NHA)	1	0	B
	206-020-113-009	FIN ASSY, TAIL (SEE FIG. 37 FOR NHA)	1	0	C
	206-020-113-107	FIN ASSY, TAIL (SEE FIG. 37 FOR NHA)	1	0	E
	206-020-113-103	FIN ASSY, TAIL (SEE FIG. 37 FOR NHA)	1	0	CD
1	P102F25-2	.PLUG (REPLACED BY 80-011-P12F2-0)	4		
1	80-011-P12F2-0	.PLUG (REPLACES P102F25-2)	4	1	
2	S102F25-20	.SLEEVE (REPLACED BY 80-011-S12F20-0)	4		
2	80-011-S12F20-0	.SLEEVE (REPLACES S102F25-20)	4	1	
3	206-020-118-001	.INSERT (USBL ON 206-020-113-005)	1	1	
4	206-020-118-003	.WASHER (USBL ON 206-020-113-005)	1		
5	80-005-2-20	.INSERT	9	1	
6	206-020-113-109	.DOUBLER (USBL ON 206-020-113-107)	1		
7	2R1396	.NUT	5		
8	206-020-113-055	.TRAILING EDGE, LH (REPLACED BY 206-020-113-197)	1		
8	206-020-113-197	.TRAILING EDGE, LH (REPLACES 206-020-113-055)	1		
9	206-020-113-036	.TRAILING EDGE, RH (REPLACED BY 206-020-113-193)	1		
9	206-020-113-193	.TRAILING EDGE, RH (REPLACES 206-020-113-036)	1		
10	206-020-113-057	.TRAILING EDGE, LH (REPLACED BY 206-020-113-199)	1		
10	206-020-113-199	.TRAILING EDGE, LH (REPLACES 206-020-113-057)	1		
11	206-020-113-038	.TRAILING EDGE, RH (REPLACES 206-020-113-169)	1		
11	206-020-113-169	.TRAILING EDGE, RH (REPLACES 206-020-113-038)	1		
12	206-020-113-041	.CAP	1	1	
13	206-020-113-047	.CAP	1	1	
14	206-020-113-059	.CAP	1	0	
	206-020-115-001	GRIP INSTL	1	0	
15	206-020-113-043	.CAP	1		
16	MS171507	.PIN (REPLACED BY NAS561C3-22)	1	1	
16	NAS561C3-22	.PIN (REPLACES MS171507)	1		
17	206-020-115-003	.GRIP ASSY	1	6	
18	HS51328K1110	. . PLUG, BUTTON	1		
19	206-020-117-001	. . RING	1	1	
20	206-020-108-001	.FITTING	1	1	
		USABLE ON CODES			
		CODE MODEL SERIAL NUMBER			
		A 206A 4-413			
		B 206A 414-583			
		C 206A/B 584-865, 867-873			
		D 206B 1164-1251			
		E 206B 866, 874-1163			
		1) UNLESS A USABLE ON PART NUMBER IS LISTED IN THE ITEM NAME COLUMN; NO CODE INDICATES THE PART APPLIES TO ALL SERIAL NUMBERS.			
		2) IF THE SERIAL NUMBER IS BLANK THE PART APPLIES TO ALL SERIAL NUMBERS FOR THAT MODEL.			

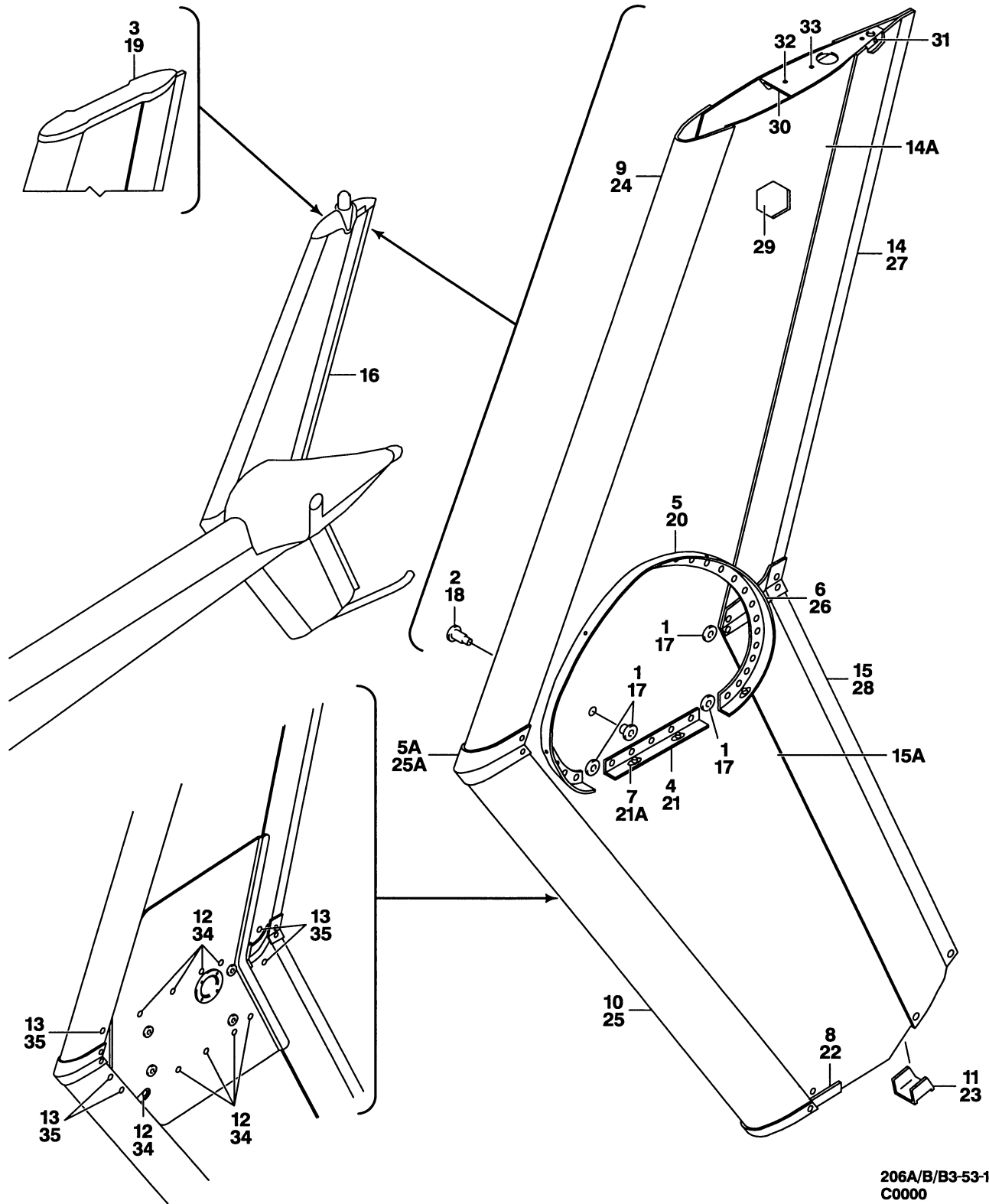


206A/B/B3-53-1038
C0000

Figure 53-44. Fin assembly, tail (S/N 1252 thru 2211)

(1) INDEX NUMBER	(2) PART NUMBER	(3) ITEM NAME	(4) UNIT PER ASSY	(5) A V A I L	(6) U O C
		FIGURE: 53-44. Fin assembly, tail (S/N 1252 thru 2211)			
	206-020-113-011	FIN ASSY, TAIL (SEE FIG. 38 FOR NHA) (REPLACED BY . . . 206-020-113-191 AND -207)	1		
	206-020-113-191	FIN ASSY, TAIL (SEE FIG. 38 FOR NHA) (REPLACES 206-020-113-011) (REPLACED BY 206-020-113-207)	1	0	
1	2R1396	.NUT (USBL ON 206-020-113-191)	5		
2	206-020-108-001	.FITTING	1	1	
3	206-020-113-033	.DOUBLER (USBL ON 206-020-113-011)	2		
4	P102F25-2	.PLUG (REPLACED BY 80-011-P12F2-0)	4		
4	80-011-P12F2-0	.PLUG (REPLACES P102F25-2)	4		
5	S102F25-20	.SLEEVE (REPLACED BY 80-011-S12F20-0)	4		
5	80-011-S12F20-0	.SLEEVE (REPLACES S102F25-20)	4		
6	206-020-113-091	.FORMER (USBL ON 206-020-113-011)	1		
7	206-020-113-093	.FORMER (USBL ON 206-020-113-011)	1		
8	MS21059L3K	.NUTPLATE (USBL ON 206-020-113-011)	7	1	
9	206-020-113-067	.DOUBLER (USBL ON 206-020-113-011)	2		
10	206-020-113-071	.DOUBLER (USBL ON 206-020-113-011) (REPLACED BY . . . 206-020-113-189)	2		
10	206-020-113-189	.DOUBLER (USBL ON 206-020-113-191) (REPLACES 206-020-113-071)	2	6	
11	206-020-113-187	.DOUBLER (USBL ON 206-020-113-191)	2		
12	80-005-2-20	.INSERT (USBL ON 206-020-113-191)	9	1	
13	206-020-113-047	.CAP	1	1	
14	206-020-113-089	.CAP (USBL ON 206-020-113-011) (REPLACED BY 206-020-113-173)	1	0	
14	206-020-113-173	.CAP (USBL ON 206-020-113-011) (REPLACES 206-020-113-089)	1		
15	206-020-113-201	.CAP (USBL ON 206-020-113-191)	1		
16	206-020-113-087	.CAP (USBL ON 206-020-113-011) (REPLACED BY 206-020-113-171)	1	0	
16	206-020-113-171	.CAP (USBL ON 206-020-113-011) (REPLACES 206-020-113-087)	1		
17	206-020-113-195	.CAP (USBL ON 206-020-113-191)	1		
18	206-020-113-036	.TRAILING EDGE (USBL ON 206-020-113-011) (REPLACED BY 206-020-113-193)	1		
18	206-020-113-193	.TRAILING EDGE (REPLACES 206-020-113-036)	1		
19	206-020-113-095	.TRAILING EDGE (USBL ON 206-020-113-011)	1		
20	206-020-113-197	.TRAILING EDGE (USBL ON 206-020-113-191)	1		
21	206-020-113-038	.TRAILING EDGE (USBL ON 206-020-113-011) (REPLACED BY 206-020-113-169)	1		
21	206-020-113-169	.TRAILING EDGE (REPLACES 206-020-113-038)	1		
22	206-020-113-097	.TRAILING EDGE (USBL ON 206-020-113-011) (REPLACED BY 206-020-113-175)	1	0	
22	206-020-113-175	.TRAILING EDGE (USBL ON 206-020-113-011) (REPLACES 206-020-113-097)	1		
23	206-020-113-199	.TRAILING EDGE (USBL ON 206-020-113-191)	1		
	206-020-113-207	FIN ASSY, TAIL (SEE FIG. 43 FOR NHA) (REPLACES 206-020-113-011 AND -191)	1		
24	206-020-113-163	.FIN ASSY	1		
25	206-020-108-001	.FITTING	1	1	
26	P102F25-2	.PLUG (REPLACED BY 80-011-P12F2-0)	4		

(1) INDEX NUMBER	(2) PART NUMBER	(3) ITEM NAME	(4) UNIT PER ASSY	(5) A V A I L	(6) U O C
		FIGURE: 53-44. Fin assembly, tail (S/N 1252 thru 2211) (Cont'd)			
26	80-011-P12F2-0	..PLUG (REPLACES P102F25-2)	4		
27	S102F25-20	..SLEEVE (REPLACED BY 80-011-S12F20-0)	4		
27	80-011-S12F20-0	..SLEEVE (REPLACES S102F25-20)	4		
28	206-020-113-091	..FORMER	1		
29	206-020-113-093	..FORMER	1		
30	MS21059L3K	..NUTPLATE	7	1	
31	206-020-113-167	..DOUBLER	2		
32	206-020-113-187	..DOUBLER	2		
33	206-020-113-189	..DOUBLER	2	6	
34	206-020-113-147	..CAP	1	0	
35	206-020-113-165	..SUPPORT ASSY	1	0	
36	MS21075L08	..NUTPLATE (REPLACED BY MS21075L08N)	4		
36	MS21075L08N	..NUTPLATE (REPLACES MS21075L08)	4		
37	MS21075L3	..NUTPLATE	1		
38	206-020-113-047	..CAP	1	1	
39	206-020-113-171	..CAP	1		
40	206-020-113-173	..CAP	1		
41	206-020-113-169	..TRAILING EDGE	1		
41	206-020-113-175	..TRAILING EDGE	1		
42	206-020-113-177	..TRAILING EDGE	1		
42	206-020-113-179	..TRAILING EDGE	1		



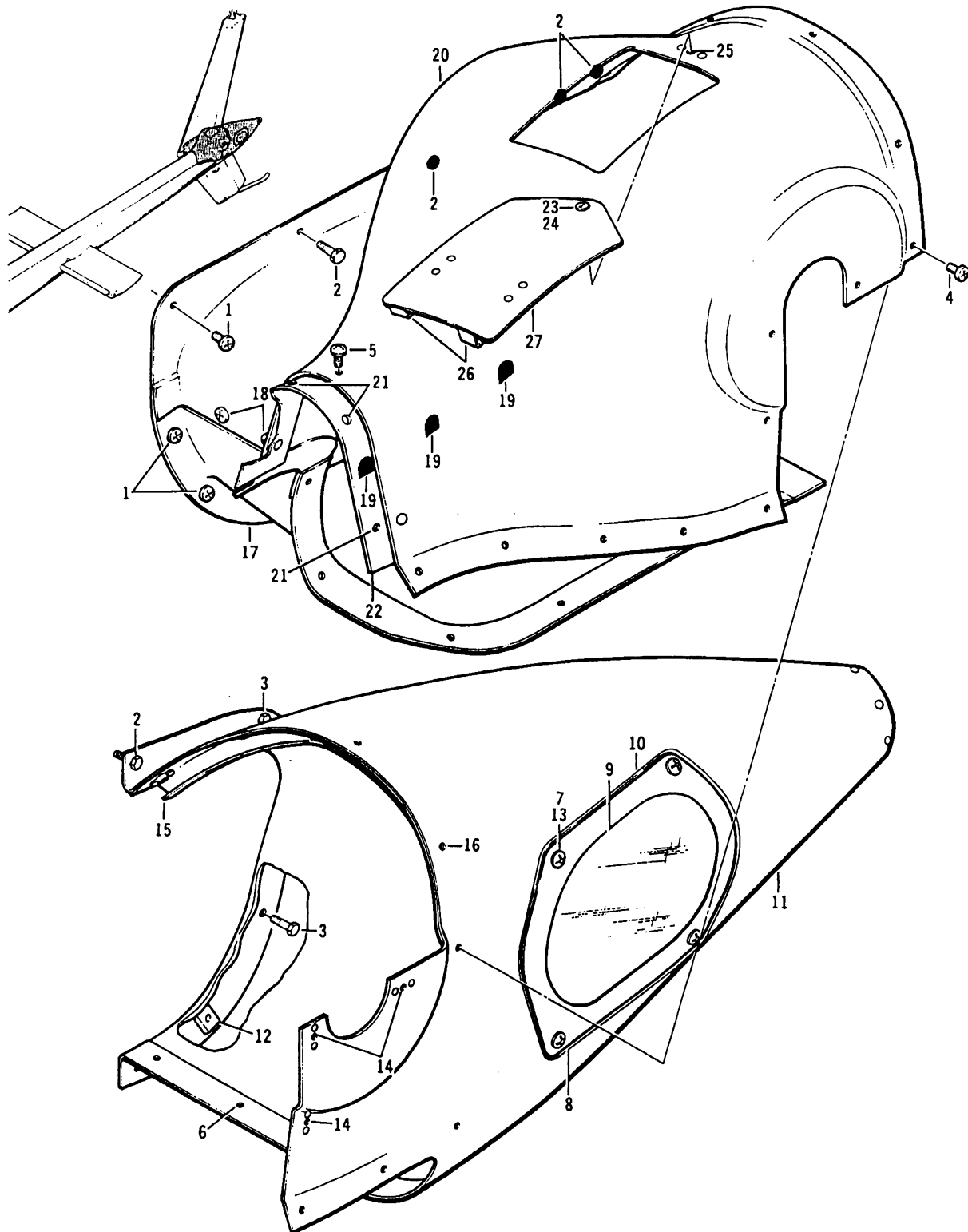
206A/B/B3-53-1045
C0000

Figure 53-45. Fin assembly, tail (S/N 2212 thru Sub)

(1) INDEX NUMBER	(2) PART NUMBER	(3) ITEM NAME	(4) UNIT PER ASSY	(5) A V A I L	(6) U O C
		FIGURE: 53-45. Fin assembly, tail (S/N 2212 thru Sub)			
	206-020-113-011	FIN ASSY, TAIL (SEE FIG. 38 FOR NHA) (REPLACED BY . . . 206-020-113-191, -127, -207 AND -247)	1		
	206-020-113-191	FIN ASSY, TAIL (SEE FIG. 38 FOR NHA) (REPLACES 206-020-113-011) (REPLACED BY 206-020-113-127, -207 AND -247)	1	0	
1	P102F25-2	.PLUG (REPLACED BY 80-011-P12F2-0)	4		
1	80-011-P12F2-0	.PLUG (REPLACES P102F25-2)	4	1	
2	S102F25-20	.SLEEVE (REPLACED BY 80-011-S12F20-0)	4		
2	80-011-S12F20-0	.SLEEVE (REPLACES S102F25-20)	4	1	
3	206-020-113-041	.CAP	1	1	
4	206-020-113-091	.FORMER (USBL ON 206-020-113-011)	1		
5	206-020-113-093	.FORMER (USBL ON 206-020-113-011)	1		
5A	206-020-113-067	.DOUBLER (USBL ON 206-020-113-011)	2		
5A	206-020-113-187	.DOUBLER (USBL ON 206-020-113-191)	2		
6	206-020-113-071	.DOUBLER (USBL ON 206-020-113-011) (REPLACED BY . . 206-020-113-189)	2		
6	206-020-113-189	.DOUBLER (REPLACES 206-020-113-071)	2	6	
7	MS21059L3K	.NUTPLATE (USBL ON 206-020-113-011)	7	1	
8	206-020-113-047	.CAP	1	1	
9	206-020-113-089	.CAP (USBL ON 206-020-113-011) (REPLACED BY 206-020-113-173)	1	0	
9	206-020-113-173	.CAP (USBL ON 206-020-113-011) (REPLACES 206-020-113-089)	1		
9	206-020-113-201	.CAP (USBL ON 206-020-113-191)	1		
10	206-020-113-087	.CAP (USBL ON 206-020-113-011) (REPLACED BY 206-020-113-171)	1	0	
10	206-020-113-171	.CAP (USBL ON 206-020-113-011) (REPLACES 206-020-113-087)	1		
10	206-020-113-195	.CAP (USBL ON 206-020-113-191)	1		
11	206-020-108-001	.FITTING	1	1	
12	80-005-2-20	.INSERT (USBL ON 206-020-113-191)	9	1	
13	2R1396	.NUT (USBL ON 206-020-113-191)	5		
14	206-020-113-036	.TRAILING EDGE (USBL ON 206-020-113-011) (REPLACED BY 206-020-113-193)	1		
14	206-020-113-193	.TRAILING EDGE (USBL ON 206-020-113-011) (REPLACES 206-020-113-036)	1		
14	206-020-113-197	.TRAILING EDGE (USBL ON 206-020-113-191)	1		
14A	206-020-113-095	.TRAILING EDGE (USBL ON 206-020-113-011)	1		
15	206-020-113-038	.TRAILING EDGE (USBL ON 206-020-113-011) (REPLACED BY 206-020-113-169)	1		
15	206-020-113-169	.TRAILING EDGE (USBL ON 206-020-113-011) (REPLACES 206-020-113-038)	1		
15	206-020-113-199	.TRAILING EDGE (USBL ON 206-020-113-191)	1		
15A	206-020-113-097	.TRAILING EDGE (USBL ON 206-020-113-011) (REPLACED BY 206-020-113-175)	1	0	
15A	206-020-113-175	.TRAILING EDGE (USBL ON 206-020-113-011) (REPLACES 206-020-113-097)	1		
	206-020-113-127	FIN ASSY, TAIL (SEE FIG. 38 FOR NHA) (REPLACES 206-020-113-011 AND -191) (REPLACED BY 206-020-113-207 AND -247)	1	0	

(1) INDEX NUMBER	(2) PART NUMBER	(3) ITEM NAME	(4) UNIT PER ASSY	(5) A V A I L	(6) U O C
		FIGURE: 53-45. Fin assembly, tail (S/N 2212 thru Sub) (Cont'd)			
	206-020-113-207	FIN ASSY, TAIL (SEE FIG. 38 FOR NHA) (REPLACES 206-020-113-011, -191 AND -127) (REPLACED BY 206-020-113-247)	1		
	206-020-113-247	FIN ASSY, TAIL (SEE FIG. 38 FOR NHA) (REPLACES 206-020-113-011, -191, -127 AND -207)	1		
16	206-020-113-131	.FIN ASSY (USBL ON 206-020-113-127)	1	0	
16	206-020-113-163	.FIN ASSY (USBL ON 206-020-113-207) (REPLACED BY . . 206-020-113-231)	1		
16	206-020-113-231	.FIN ASSY (USBL ON 206-020-113-207 AND -247) (REPLACES 206-020-113-163)	1		
16	206-020-113-225	.FIN ASSY (NOTE 1) (REPLACED BY 206-020-113-235) . .	1		
16	206-020-113-235	.FIN ASSY (NOTE 1) (REPLACES 206-020-113-225)	1		
17	P102F25-2	.PLUG (REPLACED BY 80-011-P12F2-0)	4		
17	80-011-P12F2-0	.PLUG (REPLACES P102F25-2)	4	1	
18	S102F25-20	.SLEEVE (REPLACED BY 80-011-S12F20-0)	4		
18	80-011-S12F20-0	.SLEEVE (REPLACES S102F25-20)	4	1	
19	206-020-113-147	.CAP	1	0	
20	206-020-113-093	.FORMER (USBL ON 206-020-113-163)	1		
21	206-020-113-091	.FORMER (USBL ON 206-020-113-163)	1		
21A	MS21059L3K	.NUTPLATE	7	1	
22	206-020-113-047	.CAP	1	1	
23	206-020-108-001	.FITTING	1	1	
24	206-020-113-089	.CAP (USBL ON 206-020-113-131)	1	0	
24	206-020-113-173	.CAP (USBL ON 206-020-113-163)	1		
25	206-020-113-087	.CAP (USBL ON 206-020-113-131) (REPLACED BY 206-020-113-171)	1	0	
25	206-020-113-171	.CAP (REPLACES 206-020-113-087)	1		
25A	206-020-113-067	.DOUBLER (USBL ON 206-020-113-131) (REPLACED BY . 206-020-113-187)	2		
25A	206-020-113-187	.DOUBLER (REPLACES 206-020-113-067)	2		
26	206-020-113-071	.DOUBLER (USBL ON 206-020-113-131) (REPLACED BY . 206-020-113-189)	2		
26	206-020-113-189	.DOUBLER (REPLACES 206-020-113-071)	2	6	
27	206-020-113-133	.TRAILING EDGE (USBL ON 206-020-113-131) (REPLACED BY 206-020-113-177 AND -237)	1		
27	206-020-113-177	.TRAILING EDGE (USBL ON 206-020-113-131, -163 . . . AND -225) (REPLACES 206-020-113-133) (REPLACED BY 206-020-113-237)	1		
27	206-020-113-237	.TRAILING EDGE (REPLACES 206-020-113-133 AND . . . -177)	1		
27	206-020-113-135	.TRAILING EDGE (USBL ON 206-020-113-131) (REPLACED BY 206-020-113-179 AND -239)	1	0	
27	206-020-113-179	.TRAILING EDGE (USBL ON 206-020-113-131, -163 . . . AND -225) (REPLACES 206-020-113-135) (REPLACED BY 206-020-113-239)	1		
27	206-020-113-239	.TRAILING EDGE (REPLACES 206-020-113-135 AND . . . -179)	1		
28	206-020-113-038	.TRAILING EDGE (USBL ON 206-020-113-163) (REPLACED BY 206-020-113-169)	1		

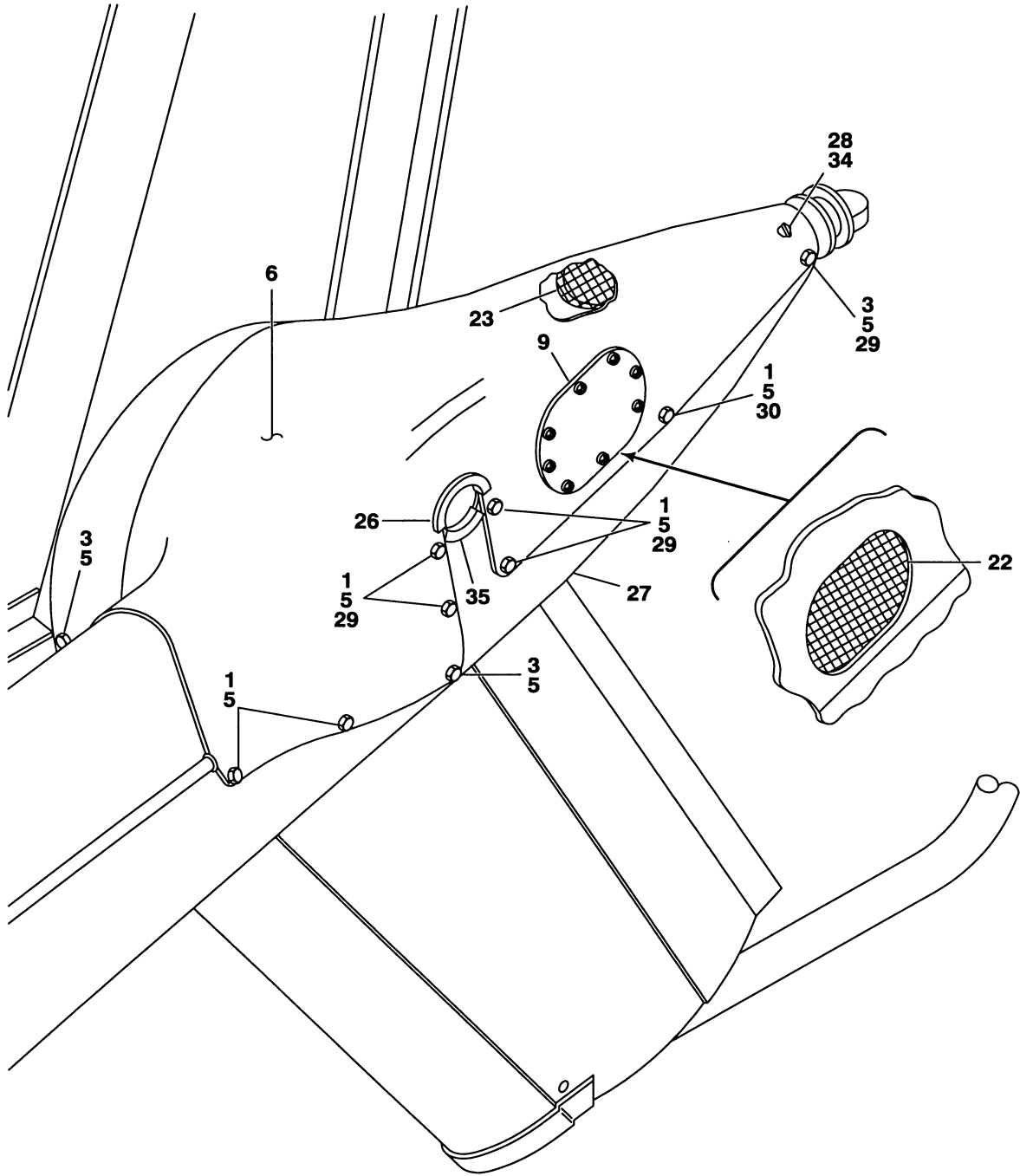
(1) INDEX NUMBER	(2) PART NUMBER	(3) ITEM NAME	(4) UNIT PER ASSY	(5) A V A I L	(6) U O C
		FIGURE: 53-45. Fin assembly, tail (S/N 2212 thru Sub) (Cont'd)			
28	206-020-113-169	.. TRAILING EDGE (USBL ON 206-020-113-163) (REPLACES 206-020-113-038)	1		
28	206-020-113-097	.. TRAILING EDGE (USBL ON 206-020-113-131) (REPLACED BY 206-020-113-175)	1	0	
28	206-020-113-175	.. TRAILING EDGE (REPLACES 206-020-113-097)	1		
29	206-020-113-141	.. CORE (USBL ON 206-020-113-131)	1		
30	206-020-113-143	.. SUPPORT ASSY (REPLACED BY 206-020-113-165)	1		
30	206-020-113-165	.. SUPPORT ASSY (REPLACES 206-020-113-143)	1	0	
31	MS21075L08	... NUTPLATE (REPLACED BY MS21075L08N)	4		
31	MS21075L08N	... NUTPLATE (REPLACES MS21075L08)	4	1	
32	MS21075L3	... NUTPLATE	1		
33	DELETED			
34	80-005-2-20	.. INSERT (USBL ON 206-020-113-225 AND -235)	9	1	
35	2R1396	.. NUT (USBL ON 206-020-113-225 AND -235)	5		
		NOTE 1: THE 206-020-113-225 AND -235 ARE SPARE REPLACEMENT FIN ASSEMBLIES FOR 206-020-113-163 AND -231 FIN ASSEMBLIES.			



206A/B/B3-53-1040
C0000

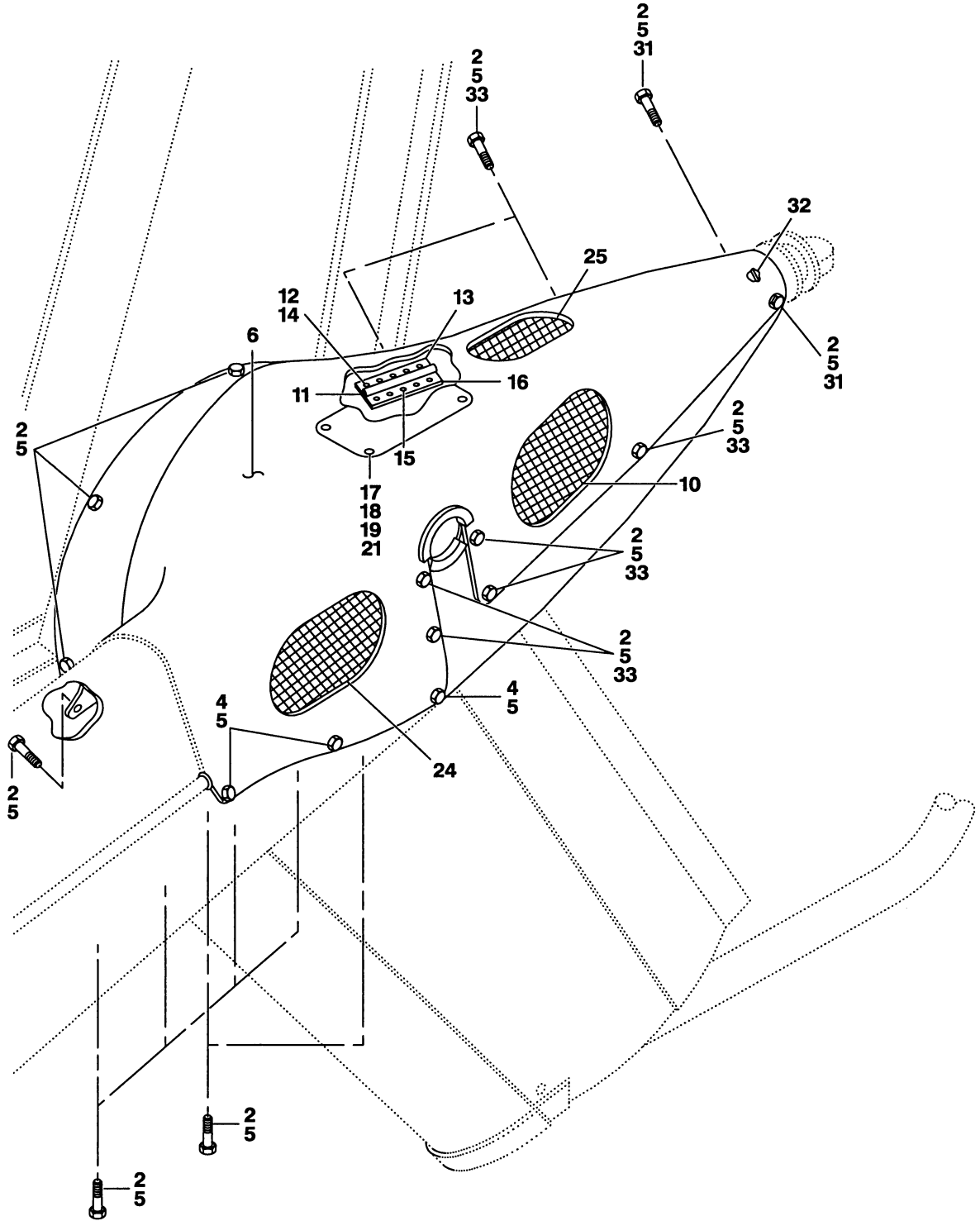
Figure 53-46. Fairing installation, tail rotor gear box (S/N 4 thru 1251)

(1) INDEX NUMBER	(2) PART NUMBER	(3) ITEM NAME	(4) UNIT PER ASSY	(5) A V A I L	(6) U O C
		FIGURE: 53-46. Fairing installation, tail rotor gear box (S/N 4 thru 1251)			
	206-031-420-001	FAIRING INSTL, TAIL ROTOR GEAR BOX	1		
	206-031-420-017	FAIRING INSTL, TAIL ROTOR GEAR BOX	1		
	206-031-420-125	FAIRING INSTL, TAIL ROTOR GEAR BOX	1		
	206-031-420-105	FAIRING INSTL, TAIL ROTOR GEAR BOX	1		
	206-031-420-133	FAIRING INSTL, TAIL ROTOR GEAR BOX	1		
1	NAS1190-3P8L	.SCREW (REPLACED BY NAS1190-3P8)	3		
1	NAS1190-3P8	.SCREW (REPLACES NAS1190-3P8L)	3		
2	AN3-3A	.BOLT	4	1	
3	NAS1303-2	.BOLT (REPLACED BY NAS6603-2)	2		
3	NAS6603-2	.BOLT (REPLACES NAS1303-2)	2		
4	MS27039-1-08	.SCREW	34	1	
5	MS27039-1-08	.SCREW (USBL ON 206-031-420-001)	1	1	
6	NAS697A3	.NUTPLATE (REPLACED BY MS21069L3)	4		
6	MS21069L3	.NUTPLATE (REPLACES NAS697A3)	4		
7	MS27039-1-05	.SCREW	4	1	
8	206-031-420-015	.DOOR ASSY	1	1	
9	206-031-420-089	.WINDOW	1	6	
10	206-031-420-091	.DOOR	1		
11	206-031-420-011	.FAIRING ASSY (USBL ON 206-031-420-001 AND -017) . .	1	0	
11	206-031-420-123	.FAIRING ASSY (USBL ON 206-031-420-105, -133 AND . . -125)	1		
12	206-031-420-093	.BLOCK	1	6	
13	NAS1068-A3	.NUTPLATE	4		
14	NAS697A3	.NUTPLATE (REPLACED BY MS21069L3)	3		
14	MS21069L3	.NUTPLATE (REPLACES NAS697A3)	3		
15	206-031-420-009	.FRAME ASSY	1		
16	MS21069L3K	.NUTPLATE	7	1	
17	206-031-420-007	.FAIRING ASSY (USBL ON 206-031-420-001 AND -017) . .	1		
17	206-031-420-121	.FAIRING ASSY (USBL ON 206-031-420-105, -133 AND . . -125)	1		
18	NAS697A3	.NUTPLATE (REPLACED BY MS21069L3)	2		
18	MS21069L3	.NUTPLATE (REPLACES NAS697A3)	2		
19	206-031-420-093	.BLOCK	3	6	
20	206-031-420-003	.FAIRING ASSY (USBL ON 206-031-420-001)	1	0	
20	206-031-420-095	.FAIRING ASSY (USBL ON 206-031-420-017)	1		
20	206-031-420-107	.FAIRING ASSY (USBL ON 206-031-420-105)	1	0	
20	206-031-420-119	.FAIRING ASSY (USBL ON 206-031-420-125)	1		
20	206-031-420-135	.FAIRING ASSY (USBL ON 206-031-420-133)	1	0	
21	R3 1-2	.FASTENER (USBL ON 206-031-420-095, -107, -119 . . AND -135)	3		
22	206-031-420-097	.DOUBLER (USBL ON 206-031-420-095, -107, -119 . . . AND -135)	1	6	
23	A3-25	.STUD	1	1	
24	GA3-200	.GROMMET	1	1	
25	S3-150	.SPRING	1	1	
26	206-031-416-001	.SPRING (USBL ON 206-031-420-003, -095 AND -119)	2		
26	206-031-416-003	.SPRING (USBL ON 206-031-420-107 AND -135)	2		
27	206-031-420-029	.DOOR (USBL ON 206-031-420-003, -095 AND -119) . .	1		
27	206-031-420-115	.DOOR (USBL ON 206-031-420-107 AND -135)	1	6	



206A/B/B3-53-1047-1
C0000

Figure 53-47. Fairing installation, tail rotor gear box (S/N 1252 thru Sub) (Sheet 1 of 2)



206A/B/B3-53-1047-2
C0000

Figure 53-47. Fairing installation, tail rotor gear box (S/N 1252 thru Sub) (Sheet 2)

(1) INDEX NUMBER	(2) PART NUMBER	(3) ITEM NAME	(4) UNIT PER ASSY	(5) A V A I L	(6) U O C
		FIGURE: 53-47. Fairing installation, tail rotor gear box (S/N 1252 thru Sub)			
	206-033-420-005	FAIRING INSTL, TAIL ROTOR GEAR BOX	1		
	206-033-420-011	FAIRING INSTL, TAIL ROTOR GEAR BOX (REPLACED BY . . . 206-033-673-101)	1		
	206-033-673-101	FAIRING INSTL, TAIL ROTOR GEAR BOX (REPLACES 206-033-420-011)	1		
1	AN3-3A	.BOLT (USBL ON 206-033-420-005 AND -011)	18	1	
2	NAS6603-3	.BOLT (USBL ON 206-033-673-101)	19	1	
3	AN3-4A	.BOLT (USBL ON 206-033-420-005 AND -011)	4	1	
4	NAS6603-4	.BOLT (USBL ON 206-033-673-101)	3	1	
5	AN960PD10L	.WASHER (USBL ON 206-033-420-005 AND -011) (REPLACED BY AN960JD10L)	22		
5	AN960JD10L	.WASHER (USBL ON 206-033-420-005 AND -011) (REPLACES AN960PD10L) (REPLACED BY NAS1149D0332J)	22		
5	NAS1149D0332J	.WASHER (USBL ON 206-033-420-005 AND -011) (REPLACES AN960JD10L)	22		
5	MS15795-742	.WASHER (USBL ON 206-033-673-101)	22	1	
6	206-033-420-003	.FAIRING ASSY, UPPER (REPLACED BY 206-033-420-007)	1		A
6	206-033-420-007	.FAIRING ASSY, UPPER (REPLACES 206-033-420-003) . . (REPLACED BY 206-033-420-101)	1	0	B
6	206-033-420-101	.FAIRING ASSY, UPPER (REPLACES 206-033-420-007) . . (REPLACED BY 206-033-673-103)	1		D
6	206-033-673-103	.FAIRING ASSY, UPPER (REPLACES 206-033-420-101) . .	1		
7	MS27039-0807	..SCREW (USBL ON 206-033-420-003 AND -007)	8	1	
7	AN525-832R8	..SCREW (USBL ON 206-033-420-101)	8	1	
8	AN960PD8L	..WASHER (REPLACED BY AN960JD8L)	8		
8	AN960JD8L	..WASHER (REPLACES AN960PD8L) (REPLACED BY NAS1149DN816J)	8	1	
8	NAS1149DN816J	..WASHER (REPLACES AN960JD8L)	8		
9	206-033-420-027	..WINDOW (USBL ON 206-033-420-003) (REPLACED BY . . 206-033-420-021)	1		
9	206-033-420-021	..WINDOW (USBL ON 206-033-420-007) (REPLACES 206-033-420-027) (REPLACED BY 206-033-420-103)	1		
9	206-033-420-103	..DOOR ASSY (USBL ON 206-033-420-101) (REPLACES . . 206-033-420-021 AND -027)	1	1	
10	206-033-420-105	...SCREEN	1		
11	MS20253P2-350	..PIN (USBL ON 206-033-673-103)	1		
12	140-001-11	..WASHER (USBL ON 206-033-673-103)	5	1	
13	MS20257YP2-350	..HINGE HALF (USBL ON 206-033-673-103)	1		
14	206-033-673-121	..DOOR ASSY (USBL ON 206-033-673-103)	1		
15	140-001-11	...WASHER	5	1	
16	MS20257XP2-350	...HINGE HALF	1		
17	50-007W15	...STUD	3	1	
18	50-009-2	...GROMMET	3	1	
19	AN960JD416L	...WASHER (REPLACED BY NAS1149D0416J)	3	1	
19	NAS1149D0416J	...WASHER (REPLACES AN960JD416L)	3	1	
20	MS21059L08K	..NUTPLATE (USBL ON 206-033-420-003 AND -007)	8	1	

(1) INDEX NUMBER	(2) PART NUMBER	(3) ITEM NAME	(4) UNIT PER ASSY	(5) A V A I L	(6) U O C
FIGURE: 53-47. Fairing installation, tail rotor gear box (S/N 1252 thru Sub) (Cont'd)					
20	MS21059L08	..NUTPLATE (USBL ON 206-033-420-101)	8	1	
21	50-008RF2	..RECEPTACLE (USBL ON 206-033-673-103)	3	1	
22	206-033-420-037	..SCREEN (USBL ON 206-033-420-101)	1	6	
23	206-033-420-045	..SCREEN (USBL ON 206-033-420-101)	1	6	
	206-033-673-115	..BONDED ASSY (USBL ON 206-033-673-103)	1		
24	206-033-673-131	..SCREEN	2	6	
25	206-033-673-133	..SCREEN	1	6	
26	110-076-1-03-1	..EXTRUSION (MAKE FROM 110-076-1)	1		
26	110-076-1	..EXTRUSION	1	1	
27	206-033-420-001	..FAIRING ASSY, LOWER (REPLACED BY 206-033-420-009)	1		A
27	206-033-420-009	..FAIRING ASSY, LOWER (REPLACES 206-033-420-001) . . (REPLACED BY 206-033-420-047)	1	0	C
27	206-033-420-047	..FAIRING ASSY, LOWER (REPLACES 206-033-420-009) . . (REPLACED BY 206-033-673-105)	1	1	D
27	206-033-673-105	..FAIRING ASSY, LOWER (USBL ON 206-033-673-101) . . . (REPLACES 206-033-420-047)	1		
28	MS21069L06K	..NUTPLATE (USBL ON 206-033-420-001, -009 AND . . -047)	2	1	
29	MS21075L3	..NUTPLATE (USBL ON 206-033-420-001, -009 AND -047)	2		
30	MS21059L3	..NUTPLATE (USBL ON 206-033-420-001, -009 AND -047)	7	1	
31	MS21061L3	..NUTPLATE (USBL ON 206-033-673-105)	3	1	
32	MS21069L06	..NUTPLATE (USBL ON 206-033-673-105)	2	1	
33	MS21059L3	..NUTPLATE (USBL ON 206-033-673-105)	6	1	
34	206-033-420-023	..BULKHEAD (USBL ON 206-033-001, -009 AND -047) . .	1	6	
35	110-076-1-01-6	..EXTRUSION (MAKE FROM 110-076-1)	1		
35	110-076-1	..EXTRUSION	1	1	
USABLE ON CODES					
	CODE	MODEL	SERIAL NUMBER		
	A	206B	1252-2211		
	B	206B/BIII	1252-4004		
	C	206B/BIII	1252-4043		
	D	206B/BIII	1252-4310		
<p>1) UNLESS A USABLE ON PART NUMBER IS LISTED IN THE ITEM NAME COLUMN; NO CODE INDICATES THE PART APPLIES TO ALL SERIAL NUMBERS.</p> <p>2) IF THE SERIAL NUMBER IS BLANK THE PART APPLIES TO ALL SERIAL NUMBERS FOR THAT MODEL.</p>					

