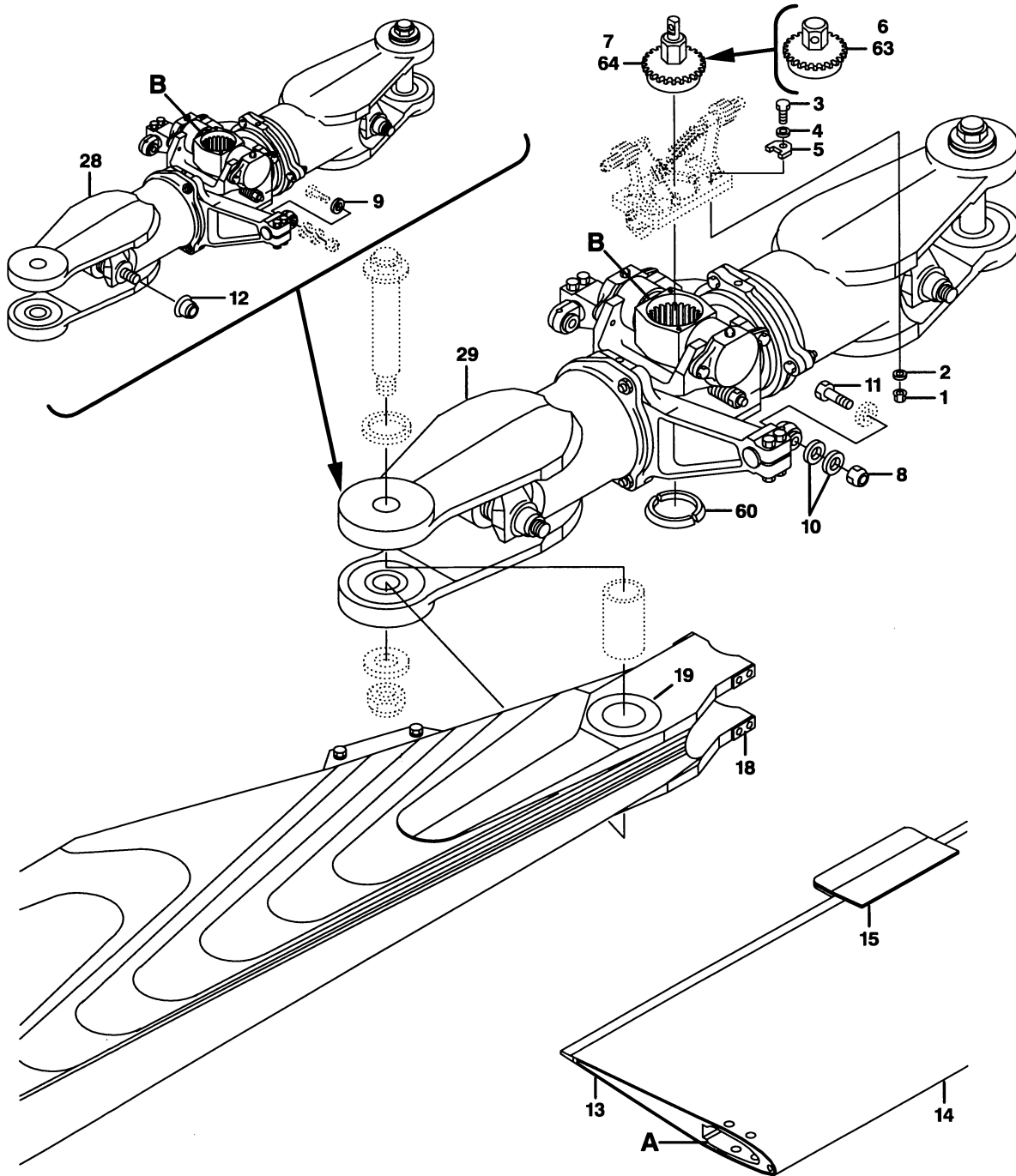


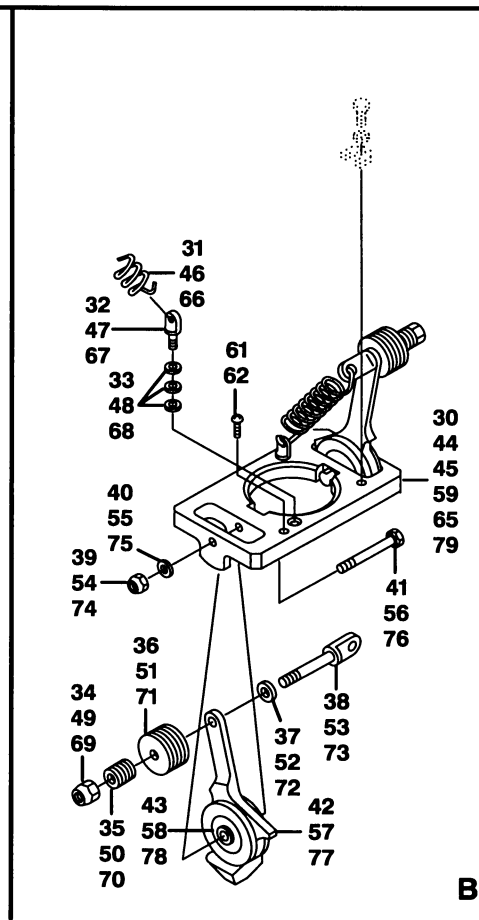
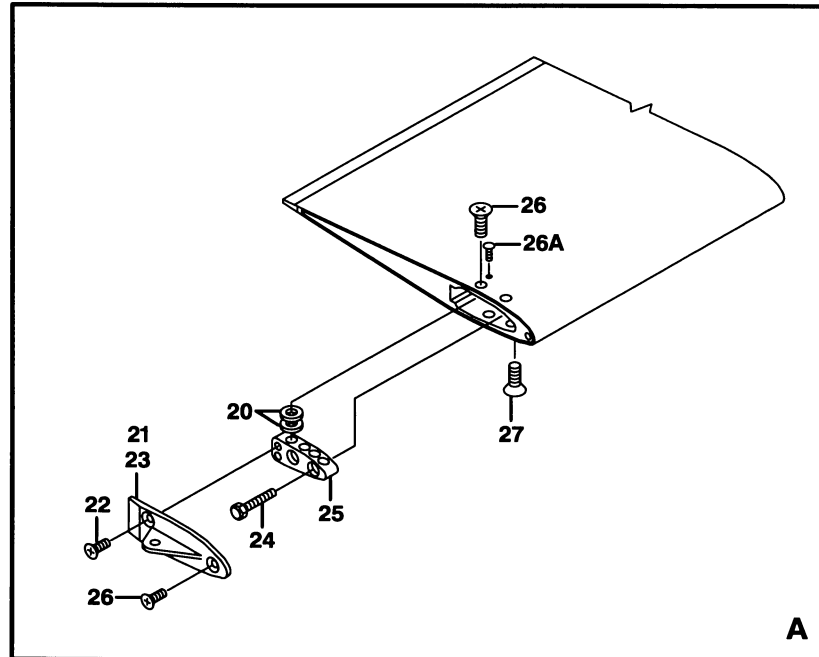
CONTENTS - IPB

Figure Number	Figure Title	Chapter/Section Number	Page Number
62-1	Hub and blade installation, main rotor (S/N 4 thru 2211)	62-99-00	2
62-2	Hub and blade installation, main rotor (S/N 2212 thru SUB)	62-99-00	10
62-3	Hub assembly, main rotor (S/N 4 thru 2211)	62-99-00	16
62-4	Hub assembly, main rotor (S/N 2212 thru SUB)	62-99-00	28
62-5	Pylon installation	62-99-00	36



206A/B/B3-62-1001-1
C0000

Figure 62-1. Hub and blade installation, main rotor (S/N 4 thru 2211) (Sheet 1 of 2)



206A/B/B3-62-1001-2
C0000

Figure 62-1. Hub and blade installation, main rotor (S/N 4 thru 2211) (Sheet 2)

(1) INDEX NUMBER	(2) PART NUMBER	(3) ITEM NAME	(4) UNIT PER ASSY	(5) A V A I L	(6) U O C
		FIGURE: 62-1. Hub and blade installation, main rotor (S/N 4 thru 2211)			
	206-010-001-005	HUB AND BLADE INSTL, MAIN ROTOR	1		
	206-010-001-009	HUB AND BLADE INSTL, MAIN ROTOR	1		
	206-010-001-013	HUB AND BLADE INSTL, MAIN ROTOR	1		
	206-010-001-017	HUB AND BLADE INSTL, MAIN ROTOR	1		
	206-010-001-021	HUB AND BLADE INSTL, MAIN ROTOR	1		
	206-010-001-025	HUB AND BLADE INSTL, MAIN ROTOR	1		
	206-010-001-029	HUB AND BLADE INSTL, MAIN ROTOR	1		
	206-010-001-033	HUB AND BLADE INSTL, MAIN ROTOR	1		
	206-010-001-037	HUB AND BLADE INSTL, MAIN ROTOR	1		
	206-010-001-041	HUB AND BLADE INSTL, MAIN ROTOR	1		
	206-010-001-045	HUB AND BLADE INSTL, MAIN ROTOR (SEE FIG.2 FOR BALANCE OF BREAKDOWN)	1		
1	MS21042L4	.NUT	1	1	XZ
2	AN960-416	.WASHER (REPLACED BY NAS1149F0463P)	1	1	XZ
2	NAS1149F0463P	.WASHER (REPLACES AN960-416)	1		XZ
3	AN4H5A	.BOLT	1	1	
4	AN960-416	.WASHER (REPLACED BY NAS1149F0463P)	1	1	
4	NAS1149F0463P	.WASHER (REPLACES AN960-416)	1		
5	206-010-195-001	.LOCK	1	1	
6	206-010-198-001	.NUT (REPLACED BY 206-011-152-101)	1	0	KZ
7	206-011-152-101	.NUT (REPLACES 206-010-198-001)	1	1	KZ
7	206-011-007-003	.NUT	1	1	X
8	MS17825-5	.NUT (REPLACED BY MS14144L5)	2		
8	MS14144L5	.NUT (REPLACES MS17825-5)	2	1	
9	AN960-516L	.WASHER (NOTE 1) (REPLACED BY NAS1149F0532P)	2	1	
9	NAS1149F0532P	.WASHER (NOTE 1) (REPLACES AN960-516L)	2		
10	AN960-516L	.WASHER (REPLACED BY NAS1149F0532P)	4	1	T
10	NAS1149F0532P	.WASHER (REPLACES AN960-516L)	4		T
11	NAS1305-24D	.BOLT (REPLACED BY NAS6605D24)	2	0	K
11	NAS6605D24	.BOLT (REPLACES NAS1305-24D)	2		K
11	NAS1305-18D	.BOLT (REPLACED BY 20-057-5-18D) (REPLACED BY NAS6605D18)	2	0	Q
11	NAS6605D18	.BOLT (REPLACED BY 20-057-5-18D) (REPLACES NAS1305-18D)	2		Q
11	20-057-5-18D	.BOLT (REPLACES NAS1305-18D AND NAS6605D18)	2	1	QYZ
	206-010-001-007	.HUB AND BLADE ASSY, MAIN ROTOR (USBL ON 206-010-001-005)	1		A
	206-010-001-011	.HUB AND BLADE ASSY, MAIN ROTOR (USBL ON 206-010-001-009)	1		E
	206-010-001-015	.HUB AND BLADE ASSY, MAIN ROTOR (USBL ON 206-010-001-013)	1		F
	206-010-001-019	.HUB AND BLADE ASSY, MAIN ROTOR (USBL ON 206-010-001-017)	1		G
	206-010-001-023	.HUB AND BLADE ASSY, MAIN ROTOR (USBL ON 206-010-001-021)	1		L
	206-010-001-027	.HUB AND BLADE ASSY, MAIN ROTOR (USBL ON 206-010-001-025)	1		M
	206-010-001-031	.HUB AND BLADE ASSY, MAIN ROTOR (USBL ON 206-010-001-029)	1		U

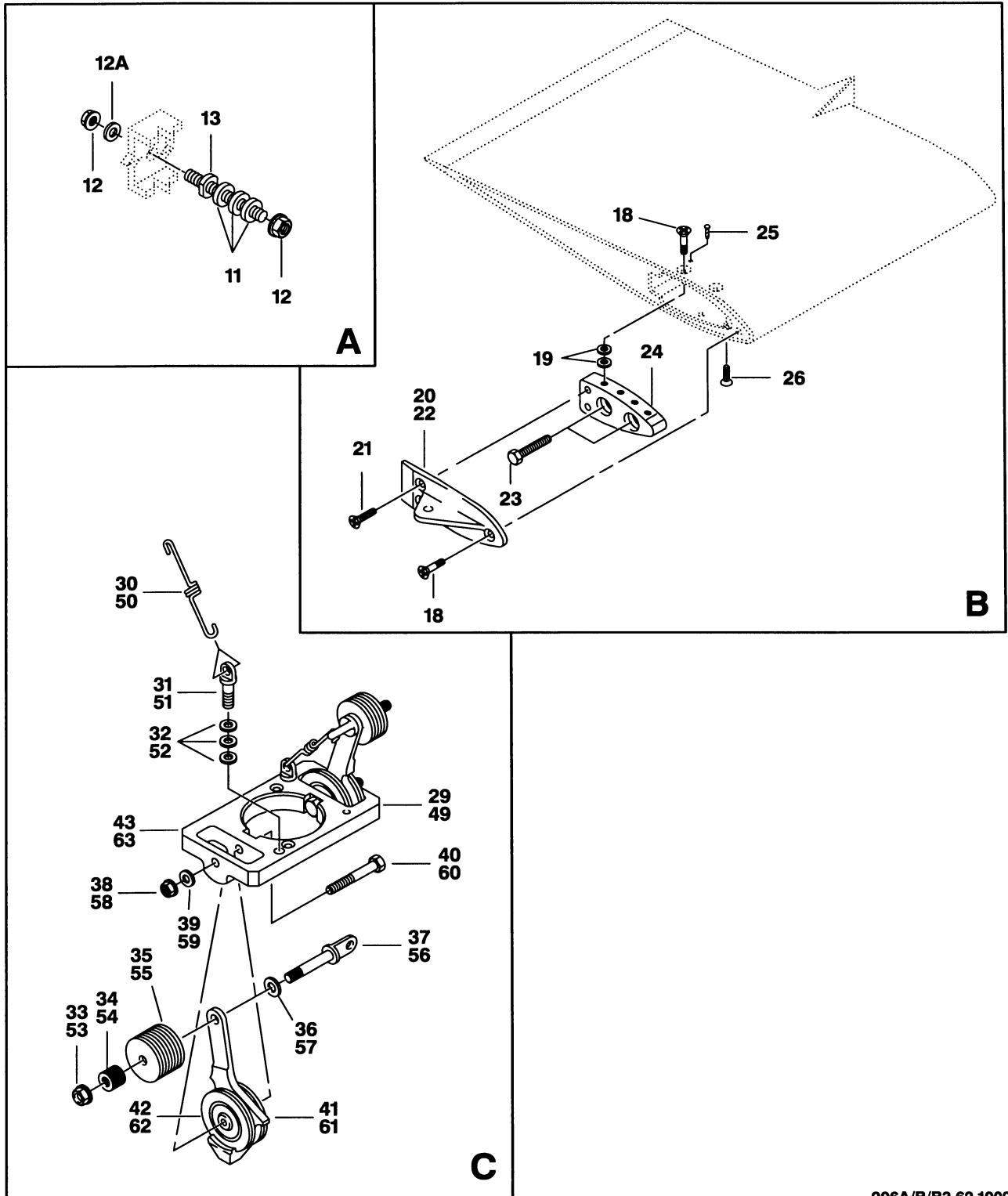
(1) INDEX NUMBER	(2) PART NUMBER	(3) ITEM NAME	(4) UNIT PER ASSY	(5) A V A I L	(6) U O C
		FIGURE: 62-1. Hub and blade installation, main rotor (S/N 4 thru 2211) (Cont'd)			
	206-010-001-035	.HUB AND BLADE ASSY, MAIN ROTOR (USBL ON 206-010-001-033)	1		V
	206-010-001-039	.HUB AND BLADE ASSY, MAIN ROTOR (USBL ON 206-010-001-037)	1		W
	206-010-001-043	.HUB AND BLADE ASSY, MAIN ROTOR (SEE FIG.2 FOR BALANCE OF BREAKDOWN) (USBL ON 206-010-001-041 AND -045)	1		YZ
12	206-010-005-003	..COVER (USBL ON 206-010-001-007, -011 AND -015) . .	2	6	AEF
13	206-010-200-029	..BLADE ASSY (REPLACED BY 206-010-200-033 AND -133)	2		H
13	206-010-200-033	..BLADE ASSY (REPLACES 206-010-200-029) (REPLACED BY 206-010-200-133)	2		HJ
14	206-010-200-133	..BLADE ASSY (REPLACES 206-010-200-029 AND -033) .	2	1	
15	206-010-219-001	...TRIM TAB (USBL ON 206-010-200-029 AND -033) . . . (REPLACED BY 206-010-219-009)	1	6	
15	206-010-219-009	...TRIM TAB (USBL ON 206-010-200-029 AND -033) . . . (REPLACES 206-010-219-001)	1	1	
16	DELETED			
17	DELETED			
18	206-010-228-001	...PAD, WEAR (USBL ON 206-010-200-029 AND -033) . . (REPLACED BY 206-010-242-003)	4		
18	206-010-242-003	...PAD, WEAR (USBL ON 206-010-200-029 AND -033) . . (REPLACES 206-010-228-001)	4	1	
19	206-010-233-003	...PAD, GRIP (REPLACED BY 206-010-233-005)	2		
19	206-010-233-005	...PAD GRIP (REPLACES 206-010-233-003)	2	1	
20	AN960PD416L	...WASHER (REPLACED BY AN960JD416L)	8		
20	AN960JD416L	...WASHER (REPLACES AN960PD416L) (REPLACED BY . . . NAS1149D0416J)	8	1	
20	NAS1149D0416J	...WASHER (REPLACES AN960JD416L)	8	1	
21	206-010-203-007	...SUPPORT ASSY (REPLACED BY 206-010-203-109) . . .	1		
21	206-010-203-109	...SUPPORT ASSY (REPLACES 206-010-203-007)	1	6	
22	NAS1189-3P10WLSCREW (ALTERNATE PART)	2		
22	NAS1189-3P10SCREW	2	1	
23	206-010-210-005TIP CAP	1	1	
24	NAS428-4-20BOLT	2	1	
25	206-010-213-005SUPPORT (USBL ON 206-010-203-007)	1		
25	206-010-213-007SUPPORT (USBL ON 206-010-213-109)	1		
26	NK509-416-R12SCREW	5		
26A	AN535-0-2SCREW (REPLACED BY MS21318-7)	1	0	
26A	MS21318-7SCREW (REPLACES AN535-0-2)	1	1	
	206-010-200-035	...BLADE ASSY (USBL ON 206-010-200-029 AND -033) . .	1		
	206-010-200-135	...BONDED ASSY (USBL ON 206-010-200-133)	1		
27	MS24694-S103SCREW	10	1	
28	206-010-100-003	..HUB ASSY, MAN ROTOR (SEE FIG. 3 FOR BREAKDOWN) . . (REPLACED BY 206-010-100-005, -007, 009, 206-011-100-001, -003, -005, -007, -011, -017 AND -021)	1		A

(1) INDEX NUMBER	(2) PART NUMBER	(3) ITEM NAME	(4) UNIT PER ASSY	(5) A V A I L	(6) U O C
		FIGURE: 62-1. Hub and blade installation, main rotor (S/N 4 thru 2211) (Cont'd)			
28	206-010-100-005	..HUB ASSY, MAIN ROTOR (SEE FIG. 3 FOR BREAKDOWN) . . (REPLACES 206-010-100-003) (REPLACED BY 206-010-100-007, -009, 206-011-100-001, -003, -005, -007, -011, -017 AND -021)	1	0	B
28	206-010-100-007	..HUB ASSY, MAIN ROTOR (SEE FIG. 3 FOR BREAKDOWN) . . (REPLACES 206-010-100-003 AND -005) (REPLACED BY 206-010-100-009, 206-011-100-001, -003, -005, -007, -011, -017 AND -021)	1		C
28	206-010-100-009	..HUB ASSY, MAIN ROTOR (SEE FIG. 3 FOR BREAKDOWN) . . (REPLACES 206-010-100-003, -005 AND -007) (REPLACED BY 206-011-100-001, -003, -005, -007, -011, -017 AND -021)	1		D
29	206-011-100-001	..HUB ASSY, MAIN ROTOR (SEE FIG. 3 FOR BREAKDOWN) . . (REPLACES 206-010-100-003, -005, -007 AND -009) (REPLACED BY 206-011-100-003, -005, -007, -011, -017 AND -021)	1		N
29	206-011-100-003	..HUB ASSY, MAIN ROTOR (SEE FIG. 3 FOR BREAKDOWN) . . (REPLACES 206-010-100-003, -005, -007, -009 AND 206-011-100-001) (REPLACED BY 206-011-100-005, -007, -011, -017 AND -021)	1		P
29	206-011-100-005	..HUB ASSY, MAIN ROTOR (SEE FIG. 3 FOR BREAKDOWN) . . (REPLACES 206-010-100-003, -005, -007, -009, 206-011-100-001 AND -003) (REPLACED BY 206-011-100-007, -011, -017 AND -021)	1		R
29	206-011-100-007	..HUB ASSY, MAIN ROTOR (SEE FIG. 3 FOR BREAKDOWN) . . (REPLACES 206-010-100-003, -005, -007, -009, 206-011-100-003 AND -005) (REPLACED BY 206-011-100-011, -017 AND -021)	1	0	S
29	206-011-100-011	..HUB ASSY, MAIN ROTOR (SEE FIG. 3 FOR BREAKDOWN) . . (REPLACES 206-010-100-003, -005, -007, -009, 206-011-100-001, -003, -005 AND -007) (REPLACED BY 206-011-100-017 AND -021)	1		T
29	206-011-100-017	..HUB ASSY, MAIN ROTOR (SEE FIG. 3 FOR BREAKDOWN) . . (REPLACES 206-010-100-003, -005, -007, -009, 206-011-100-001, -003, -005, -007 AND -011) (REPLACED BY 206-011-100-021)	1		T2
29	206-011-100-021	..HUB ASSY, MAIN ROTOR (SEE FIG. 3 FOR BREAKDOWN) . . (REPLACES 206-010-100-003, -005, -007, -009, 206-011-100-001, -003, -005, -007, -011 AND -017)	1	0	
30	206-011-117-001	.. RESTRAINT ASSY	1		G
31	206-011-116-001	.. SPRING	2	1	
32	AN42B-3	.. EYEBOLT	2	1	
33	AN960-10	.. WASHER (REPLACED BY NAS1149F0363P)	6		
33	NAS1149F0363P	.. WASHER (REPLACES AN960-10)	6	1	
34	NAS679A5	.. NUT (REPLACED BY MS21042L5)	2		
34	MS21042L5	.. NUT (REPLACES NAS679A5)	2	1	
35	AN960-516	.. WASHER (REPLACED BY NAS1149F0563P)	18		
35	NAS1149F0563P	.. WASHER (REPLACES AN960-516)	18		

(1) INDEX NUMBER	(2) PART NUMBER	(3) ITEM NAME	(4) UNIT PER ASSY	(5) A V A I L	(6) U O C
FIGURE: 62-1. Hub and blade installation, main rotor (S/N 4 thru 2211) (Cont'd)					
36	AN970-5	... WASHER	16	1	
37	AN960-616	... WASHER (REPLACED BY NAS1149F0663P)	2	1	
37	NAS1149F0663P	... WASHER (REPLACES AN960-616)	2	1	
38	AN44-15	... EYEBOLT	2	1	
39	NAS679A4	... NUT (REPLACED BY MS21042L4)	2	0	
39	MS21042L4	... NUT (REPLACES NAS679A4)	2	1	
40	AN960-416L	... WASHER (REPLACED BY NAS1149F0432P)	2	1	
40	NAS1149F0432P	... WASHER (REPLACES AN960-416L)	2	1	
41	NAS464-4A17	... BOLT	2	1	
42	206-010-192-003	... ARM ASSY (REPLACED BY 206-011-139-001)	2	1	
42	206-011-139-001	... ARM ASSY (REPLACES 206-010-192-003)	2	1	
43	MS27644-4	... BEARING	1	1	
(ALTERNATE PART)					
43	DPP4	... BEARING	1		
44	206-010-191-001	... SUPPORT	1	1	
45	206-011-117-003	... RESTRAINT ASSY	1	1	Z
46	206-011-116-001	... SPRING	2	1	
47	AN42B-3	... EYEBOLT	2	1	
48	AN960-10	... WASHER (REPLACED BY NAS1149F0363P)	6		
48	NAS1149F0363P	... WASHER (REPLACES AN960-10)	6	1	
49	NAS679A5	... NUT (REPLACED BY MS21042L5)	2		
49	MS21042L5	... NUT (REPLACES NAS679A5)	2	1	
50	AN960-516	... WASHER (REPLACED BY NAS1149F0563P)	18		
50	NAS1149F0563P	... WASHER (REPLACES AN960-516)	18		
51	AN970-5	... WASHER	16	1	
52	AN960-616	... WASHER (REPLACED BY NAS1149F0663P)	2	1	
52	NAS1149F0663P	... WASHER (REPLACES AN960-616)	2	1	
53	AN44-15	... EYEBOLT	2	1	
54	NAS679A4	... NUT (REPLACED BY MS21042L4)	2	0	
54	MS21042L4	... NUT (REPLACES NAS679A4)	2	1	
55	AN960-416L	... WASHER (REPLACED BY NAS1149F0432P)	2	1	
55	NAS1149F0432P	... WASHER (REPLACES AN960-416L)	2	1	
56	NAS464-4A17	... BOLT	2	1	
57	206-011-139-001	... ARM ASSY	2	1	
58	MS27644-4	... BEARING	1	1	
(ALTERNATE PART)					
58	DPP4	... BEARING	1		
59	206-010-191-001	... SUPPORT	1	1	
60	206-010-003-001	... CONE SET	1	1	
61	DELETED				
	206-706-013-007	FLAP RESTRAINT KIT	1		X
62	MS24694S55	... SCREW (REPLACED BY MS24694-S55)	2	1	
62	MS24694-S55	... SCREW (REPLACES MS24694S55)	2	1	
63	206-010-198-001	... NUT (REPLACED BY 206-011-152-101)	1	0	
64	206-011-152-101	... NUT (REPLACES 206-010-198-001)	1	1	
65	206-011-117-003	... RESTRAINT ASSY	1	1	
66	206-011-116-001	... SPRING	2	1	
67	AN42B-3	... EYEBOLT	2	1	
68	AN960-10	... WASHER (REPLACED BY NAS1149F0363P)	6		

(1) INDEX NUMBER	(2) PART NUMBER	(3) ITEM NAME	(4) UNIT PER ASSY	(5) A V A I L	(6) U O C
FIGURE: 62-1. Hub and blade installation, main rotor (S/N 4 thru 2211) (Cont'd)					
68	NAS1149F0363P	..WASHER (REPLACES AN960-10)	6	1	
69	NAS679A5	..NUT (REPLACED BY MS21042L5)	2		
69	MS21042L5	..NUT (REPLACES NAS679A5)	2	1	
70	AN960-516	..WASHER (REPLACED BY NAS1149F0563P)	18		
70	NAS1149F0563P	..WASHER (REPLACES AN960-516)	18		
71	AN970-5	..WASHER	16	1	
72	AN960-616	..WASHER (REPLACED BY NAS1149F0663P)	2	1	
72	NAS1149F0663P	..WASHER (REPLACES AN960-616)	2	1	
73	AN44-15	..EYEBOLT	2	1	
74	NAS679A4	..NUT (REPLACED BY MS21042L4)	2	0	
74	MS21042L4	..NUT (REPLACES NAS679A4)	2	1	
75	AN960-416L	..WASHER (REPLACED BY NAS1149F0432P)	2	1	
75	NAS1149F0432P	..WASHER (REPLACES AN960-416L)	2		
76	NAS464-4A17	..BOLT	2	1	
77	206-011-139-001	..ARM ASSY	2	1	
78	MS27644-4	..BEARING	1	1	
(ALTERNATE PART)					
78	DPP4	..BEARING	1		
79	206-010-191-001	..SUPPORT	1	1	
NOTE 1: SEE BHT-206A/B-SERIES-MM FOR USAGE					
NOTE 2: EFFECTIVE SERIAL NUMBERS 4-702, 705, 708-710, 712, 715-735, 738-744, 746 AND 748-750					
NOTE 3: EFFECTIVE SERIAL NUMBERS 703, 704, 706, 707, 711, 713, 714, 736, 737, 745, 747 AND 751-2211					
NOTE 4: EFFECTIVE SERIAL NUMBERS 661-833, 835, 836, 838 AND 841					
NOTE 5: EFFECTIVE SERIAL NUMBERS 834, 837, 839, 840, 842-851, 853, 856 AND 857					
NOTE 6: EFFECTIVE SERIAL NUMBERS 4-833, 835, 836, 838 AND 841					
NOTE 7: EFFECTIVE SERIAL NUMBERS 4-851, 853, 856 AND 857					
NOTE 8: EFFECTIVE SERIAL NUMBERS 852, 854, 855 AND 858-1163					

(1) INDEX NUMBER	(2) PART NUMBER	(3) ITEM NAME	(4) UNIT PER ASSY	(5) A V A I L	(6) U O C																																																																											
		<p>FIGURE: 62-1. Hub and blade installation, main rotor (S/N 4 thru 2211) (Cont'd)</p> <p style="text-align: center;">USABLE ON CODES</p> <table border="0" style="width: 100%;"> <thead> <tr> <th style="text-align: left;">CODE</th> <th style="text-align: left;">MODEL</th> <th style="text-align: left;">SERIAL NUMBER</th> </tr> </thead> <tbody> <tr><td>A</td><td>206A</td><td>4-103</td></tr> <tr><td>B</td><td>206A</td><td>4-153</td></tr> <tr><td>C</td><td>206A</td><td>4-413</td></tr> <tr><td>D</td><td>206A</td><td>4-660</td></tr> <tr><td>E</td><td>206A</td><td>104-153</td></tr> <tr><td>F</td><td>206A</td><td>154-413</td></tr> <tr><td>G</td><td>206A/B</td><td>414-1563</td></tr> <tr><td>H</td><td>206A/B</td><td>*SEE NOTE 2</td></tr> <tr><td>J</td><td>206A/B</td><td>*SEE NOTE 3</td></tr> <tr><td>K</td><td>206A/B</td><td>4-1563</td></tr> <tr><td>L</td><td>206B</td><td>*SEE NOTE 4</td></tr> <tr><td>M</td><td>206B</td><td>*SEE NOTE 5</td></tr> <tr><td>N</td><td>206A/B</td><td>*SEE NOTE 6</td></tr> <tr><td>P</td><td>206A/B</td><td>*SEE NOTE 7</td></tr> <tr><td>Q</td><td>206A/B</td><td>661-1657</td></tr> <tr><td>R</td><td>206A/B</td><td>4-1163</td></tr> <tr><td>S</td><td>206A/B</td><td>4-1251</td></tr> <tr><td>T</td><td>206A/B</td><td>4-1657</td></tr> <tr><td>U</td><td>206B</td><td>*SEE NOTE 8</td></tr> <tr><td>V</td><td>206B</td><td>1164-1251</td></tr> <tr><td>W</td><td>206B</td><td>1252-1657</td></tr> <tr><td>X</td><td>206B</td><td>1564-1998</td></tr> <tr><td>Y</td><td>206B</td><td>1658-1998</td></tr> <tr><td>Z</td><td>206B</td><td>1999-2211</td></tr> </tbody> </table> <p>1) UNLESS A USABLE ON PART NUMBER IS LISTED IN THE ITEM NAME COLUMN; NO CODE INDICATES THE PART APPLIES TO ALL SERIAL NUMBERS.</p> <p>2) IF THE SERIAL NUMBER IS BLANK THE PART APPLIES TO ALL SERIAL NUMBERS FOR THAT MODEL.</p>	CODE	MODEL	SERIAL NUMBER	A	206A	4-103	B	206A	4-153	C	206A	4-413	D	206A	4-660	E	206A	104-153	F	206A	154-413	G	206A/B	414-1563	H	206A/B	*SEE NOTE 2	J	206A/B	*SEE NOTE 3	K	206A/B	4-1563	L	206B	*SEE NOTE 4	M	206B	*SEE NOTE 5	N	206A/B	*SEE NOTE 6	P	206A/B	*SEE NOTE 7	Q	206A/B	661-1657	R	206A/B	4-1163	S	206A/B	4-1251	T	206A/B	4-1657	U	206B	*SEE NOTE 8	V	206B	1164-1251	W	206B	1252-1657	X	206B	1564-1998	Y	206B	1658-1998	Z	206B	1999-2211			
CODE	MODEL	SERIAL NUMBER																																																																														
A	206A	4-103																																																																														
B	206A	4-153																																																																														
C	206A	4-413																																																																														
D	206A	4-660																																																																														
E	206A	104-153																																																																														
F	206A	154-413																																																																														
G	206A/B	414-1563																																																																														
H	206A/B	*SEE NOTE 2																																																																														
J	206A/B	*SEE NOTE 3																																																																														
K	206A/B	4-1563																																																																														
L	206B	*SEE NOTE 4																																																																														
M	206B	*SEE NOTE 5																																																																														
N	206A/B	*SEE NOTE 6																																																																														
P	206A/B	*SEE NOTE 7																																																																														
Q	206A/B	661-1657																																																																														
R	206A/B	4-1163																																																																														
S	206A/B	4-1251																																																																														
T	206A/B	4-1657																																																																														
U	206B	*SEE NOTE 8																																																																														
V	206B	1164-1251																																																																														
W	206B	1252-1657																																																																														
X	206B	1564-1998																																																																														
Y	206B	1658-1998																																																																														
Z	206B	1999-2211																																																																														



206A/B/B3-62-1002-2
C0000

Figure 62-2. Hub and blade installation, main rotor (S/N 2212 thru SUB) (Sheet 2)

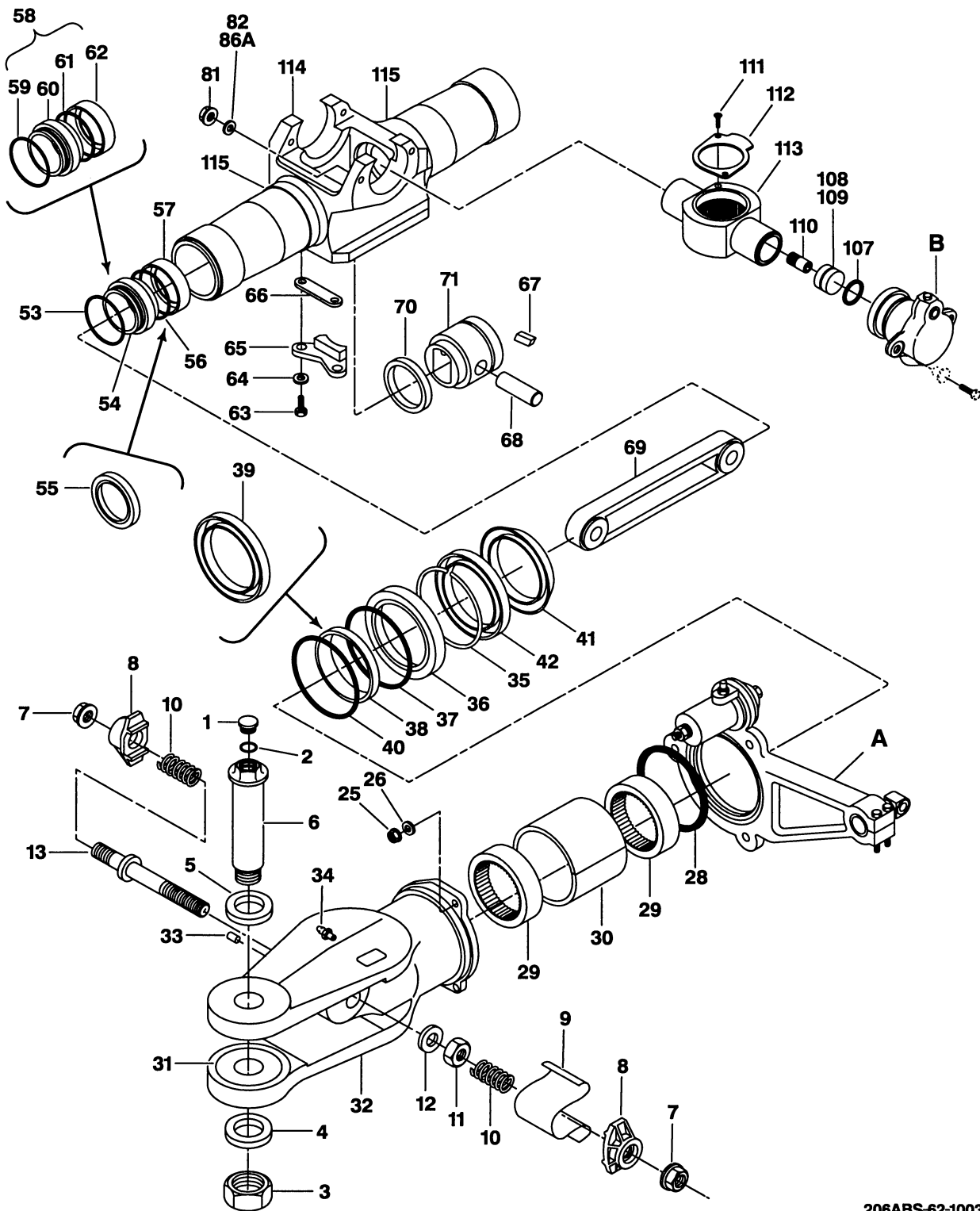
(1) INDEX NUMBER	(2) PART NUMBER	(3) ITEM NAME	(4) UNIT PER ASSY	(5) A V A I L	(6) U O C
		FIGURE: 62-2. Hub and blade installation, main rotor (S/N 2212 thru SUB)			
	206-010-001-045	HUB AND BLADE INSTL, MAIN ROTOR (SEE FIG. 1 FOR . . . BALANCE OF BREAKDOWN)	REF		
	206-010-001-149	HUB AND BLADE INSTL, MAIN ROTOR	1		
	206-010-001-163	HUB AND BLADE INSTL, MAIN ROTOR	1		
	206-010-001-169	HUB AND BLADE INSTL, MAIN ROTOR	1		
	206-010-001-179	HUB AND BLADE INSTL, MAIN ROTOR	1		
1	MS21042L4	.NUT	1	1	N
2	AN960-416	.WASHER (REPLACED BY NAS1149F0463P)	1	1	
2	NAS1149F0463P	.WASHER (REPLACES AN960-416)	1		
3	AN4H5A	.BOLT	1	1	
4	DELETED			
5	206-010-195-001	.LOCK	1	1	
6	206-010-198-001	.NUT (REPLACED BY 206-011-152-101)	1	0	B
7	206-011-152-101	.NUT (REPLACES 206-010-198-001)	1	1	EP
7	206-011-007-003	.NUT	1	1	N
8	MS17825-5	.NUT (REPLACED BY MS14144L5)	2		
8	MS14144L5	.NUT (REPLACES MS17825-5)	2	1	
9	AN960-516L	.WASHER (REPLACED BY NAS1149F0532P)	4	1	
9	NAS1149F0532P	.WASHER (REPLACES AN960-516L)	4		
10	20-057-5-18D	.BOLT	2	1	
11	206-011-157-101	.WEIGHT (100 GRAMS) (NOTE 1)	5	1	L
11	206-011-157-103	.WEIGHT (50 GRAMS) (NOTE 1)	5	1	L
11	206-011-157-105	.WEIGHT (25 GRAMS) (NOTE 1)	8	1	L
	206-010-001-043	.HUB AND BLADE ASSY, MAIN ROTOR (SEE FIG. 1 FOR . . . BALANCE OF BREAKDOWN) (USBL ON 206-010-001-045)	REF		A
	206-010-001-151	.HUB AND BLADE ASSY, MAIN ROTOR (USBL ON 206-010-001-149)	1		J
	206-010-001-165	.HUB AND BLADE ASSY, MAIN ROTOR (USBL ON 206-010-001-163)	1		K
	206-010-001-171	.HUB AND BLADE ASSY, MAIN ROTOR (USBL ON 206-010-001-169)	1		MP
	206-010-001-177	.HUB AND BLADE ASSY, MAIN ROTOR (USBL ON 206-010-001-179)	1		N
12	MS21042L4	.NUT	4	1	
12A	AN960-416L	.WASHER (REPLACED BY NAS1149F0432P)	2	1	
12A	NAS1149F0432P	.WASHER (REPLACES AN960-416L)	2		
13	206-011-158-101	.RETAINER	2	1	
14	206-010-200-133	.BLADE ASSY	2	1	
15	DELETED			
16	DELETED			
17	206-010-233-003	. . . PAD, GRIP (REPLACED BY 206-010-233-005)	2		
17	206-010-233-005	. . . PAD GRIP (REPLACES 206-010-233-003)	2	1	
18	NK509-416R12	. . . SCREW	5	1	K
19	AN960PD416L	. . . WASHER (REPLACED BY AN960JD416L)	8		
19	AN960JD416L	. . . WASHER (REPLACES AN960PD416L) (REPLACED BY . . . NAS1149D0416J)	8	1	
19	NAS1149D0416J	. . . WASHER (REPLACES AN960JD416L)	8	1	
20	206-010-203-007	. . . SUPPORT ASSY (REPLACED BY 206-010-203-109)	1		
20	206-010-203-109	. . . SUPPORT ASSY (REPLACES 206-010-203-007)	1	6	

(1) INDEX NUMBER	(2) PART NUMBER	(3) ITEM NAME	(4) UNIT PER ASSY	(5) A V A I L	(6) U O C
		FIGURE: 62-2. Hub and blade installation, main rotor (S/N 2212 thru SUB) (Cont'd)			
21	NAS1189-3P10WLSCREW (ALTERNATE PART)	2		
21	NAS1189-3P10SCREW	2	1	
22	206-010-210-005TIP CAP	1	1	
23	NAS428-4-20BOLT	2	1	
24	206-010-213-005SUPPORT (USBL ON 206-010-203-007)	1		
24	206-010-213-007SUPPORT (USBL ON 206-010-203-109)	1		
25	AN535-0-2	...SCREW (REPLACED BY MS21318-7)	1	0	
25	MS21318-7	...SCREW (REPLACES AN535-0-2)	1	1	
25A	206-010-217-001	...COVER, TIP END	1		
25B	206-010-231-001	...CLOSURE (REPLACED BY 206-010-231-103)	1		EN
25B	206-010-231-103	...CLOSURE (REPLACES 206-010-231-001)	1		
	206-010-200-135	...BONDED ASSY	1		
26	MS24694-S103SCREW	10	1	
26A	206-010-236-001GRIP PLATE, UPPER	1		
26B	206-010-237-001GRIP PLATE, LOWER	1		
26C	206-015-517-103TRIM TAB (NOTE 2) (REPLACED BY	2	0	
		206-015-517-101)			
26D	206-015-517-101TRIM TAB ASSY (NOTE 2) (REPLACES	1		
		206-015-517-103) (REPLACED BY			
		206-015-517-105)			
26D	206-015-517-105TRIM TAB ASSY (REPLACES 206-015-517-101)	1		
26E	206-015-517-103TRIM TAB (USBL ON 206-015-517-101)	2	0	
		(REPLACED BY 206-015-517-107)			
26E	206-015-517-107TRIM TAB (USBL ON 206-015-517-105)	2		
		(REPLACES 206-015-517-103)			
26F	206-015-019-103TRIM TAB (NOTE 3) (REPLACED BY	2	0	
		206-015-019-101)			
26G	206-015-019-101TRIM TAB ASSY (NOTE 3) (REPLACES	1		
		206-015-019-103) (REPLACED BY			
		206-015-019-105)			
26G	206-015-019-105TRIM TAB ASSY (REPLACES 206-015-019-101)	1		
26H	206-015-019-103TRIM TAB (USBL ON 206-015-019-101)	2	0	
		(REPLACED BY 206-015-019-107)			
26H	206-015-019-107TRIM TAB (USBL ON 206-015-019-105)	2		
		(REPLACES 206-015-019-103)			
27	206-011-100-021	..HUB ASSY, MAIN ROTOR (SEE FIG. 4 FOR BREAKDOWN) ..	1	0	A
		(REPLACED BY 206-011-100-127, -137, -145,			
		-149, -157, -103 AND -107)			
28	206-011-100-127	..HUB ASSY, MAIN ROTOR (SEE FIG. 4 FOR BREAKDOWN) ..	1	0	B
		(REPLACES 206-011-100-021) (REPLACED BY			
		206-011-100-137, -145, -149, -157, -103 AND			
		-107)			
28	206-011-100-137	..HUB ASSY, MAIN ROTOR (SEE FIG. 4 FOR BREAKDOWN) ..	1	0	C
		(REPLACES 206-011-100-021 AND -127) (REPLACED			
		BY 206-011-100-145, -149, -157, -103 AND -107)			

(1) INDEX NUMBER	(2) PART NUMBER	(3) ITEM NAME	(4) UNIT PER ASSY	(5) A V A I L	(6) U O C
		FIGURE: 62-2. Hub and blade installation, main rotor (S/N 2212 thru SUB) (Cont'd)			
28	206-011-100-145	.. HUB ASSY, MAIN ROTOR (SEE FIG. 4 FOR BREAKDOWN) .. (REPLACES 206-011-100-021, -127 AND 137) (REPLACED BY 206-011-100-149, -157, -103 AND -107)	1	0	D
28	206-011-100-149	.. HUB ASSY, MAIN ROTOR (SEE FIG. 4 FOR BREAKDOWN) .. (REPLACES 206-011-100-021, -127, -137 AND -145) (REPLACED BY 206-011-100-157, -103 AND -107)	1		F
28	206-011-100-157	.. HUB ASSY, MAIN ROTOR (SEE FIG. 4 FOR BREAKDOWN) .. (REPLACES 206-011-100-021, -127, -137, -145 AND -149) (REPLACED BY 206-011-100-103 AND -107)	1	1	G
28	206-011-100-103	.. HUB ASSY, MAIN ROTOR (SEE FIG. 4 FOR BREAKDOWN) .. (REPLACES 206-011-100-021, -127, -137, -145, -149 AND -157) (REPLACED BY 206-011-100-107)	1		H
28	206-011-100-107	.. HUB ASSY, MAIN ROTOR (SEE FIG. 4 FOR BREAKDOWN) .. (REPLACES 206-011-100-021, -127, -137, -145, -149, -157 AND -103)	1		
29	206-011-117-003	.. RESTRAINT ASSY	1	1	
30	206-011-116-001	.. SPRING	2	1	
31	AN42B-3	.. EYEBOLT	2	1	
32	AN960-10	.. WASHER (REPLACED BY NAS1149F0363P)	6		
32	NAS1149F0363P	.. WASHER (REPLACES AN960-10)	6	1	
33	NAS679A5	.. NUT (REPLACED BY MS21042L5)	2		
33	MS21042L5	.. NUT (REPLACES NAS679A5)	2	1	
34	AN960-516	.. WASHER (REPLACED BY NAS1149F0563P)	18		
34	NAS1149F0563P	.. WASHER (REPLACES AN960-516)	18		
35	AN970-5	.. WASHER	16	1	
36	AN960-616	.. WASHER (REPLACED BY NAS1149F0663P)	2	1	
36	NAS1149F0663P	.. WASHER (REPLACES AN960-616)	2	1	
37	AN44-15	.. EYEBOLT	2	1	
38	NAS679A4	.. NUT (REPLACED BY MS21042L4)	2	0	
38	MS21042L4	.. NUT (REPLACES NAS679A4)	2	1	
39	AN960-416L	.. WASHER (REPLACED BY NAS1149F0432P)	2	1	
39	NAS1149F0432P	.. WASHER (REPLACES AN960-416L)	2		
40	NAS464-4A17	.. BOLT	2	1	
41	206-011-139-001	.. ARM ASSY	2	1	
42	MS27644-4	.. BEARING	1	1	
		(ALTERNATE PART)			
42	DPP4	.. BEARING	1		
43	206-010-191-001	.. SUPPORT	1	1	
44	206-010-003-001	.. CONE SET	1	1	
45	MS24694-S55	.. SCREW	2	1	BMP
45	MS24693S271	.. SCREW (REPLACED BY MS24693-S271)	2		N
45	MS24693-S271	.. SCREW (REPLACES MS24693S271)	2	1	N
45A	206-010-140-003	.. WASHER	1	1	N
	206-706-013-007	FLAP RESTRAINT KIT	1		CMN
46	MS24694-S55	.. SCREW	2	1	
47	206-010-198-001	.. NUT (REPLACED BY 206-011-152-101)	1	0	

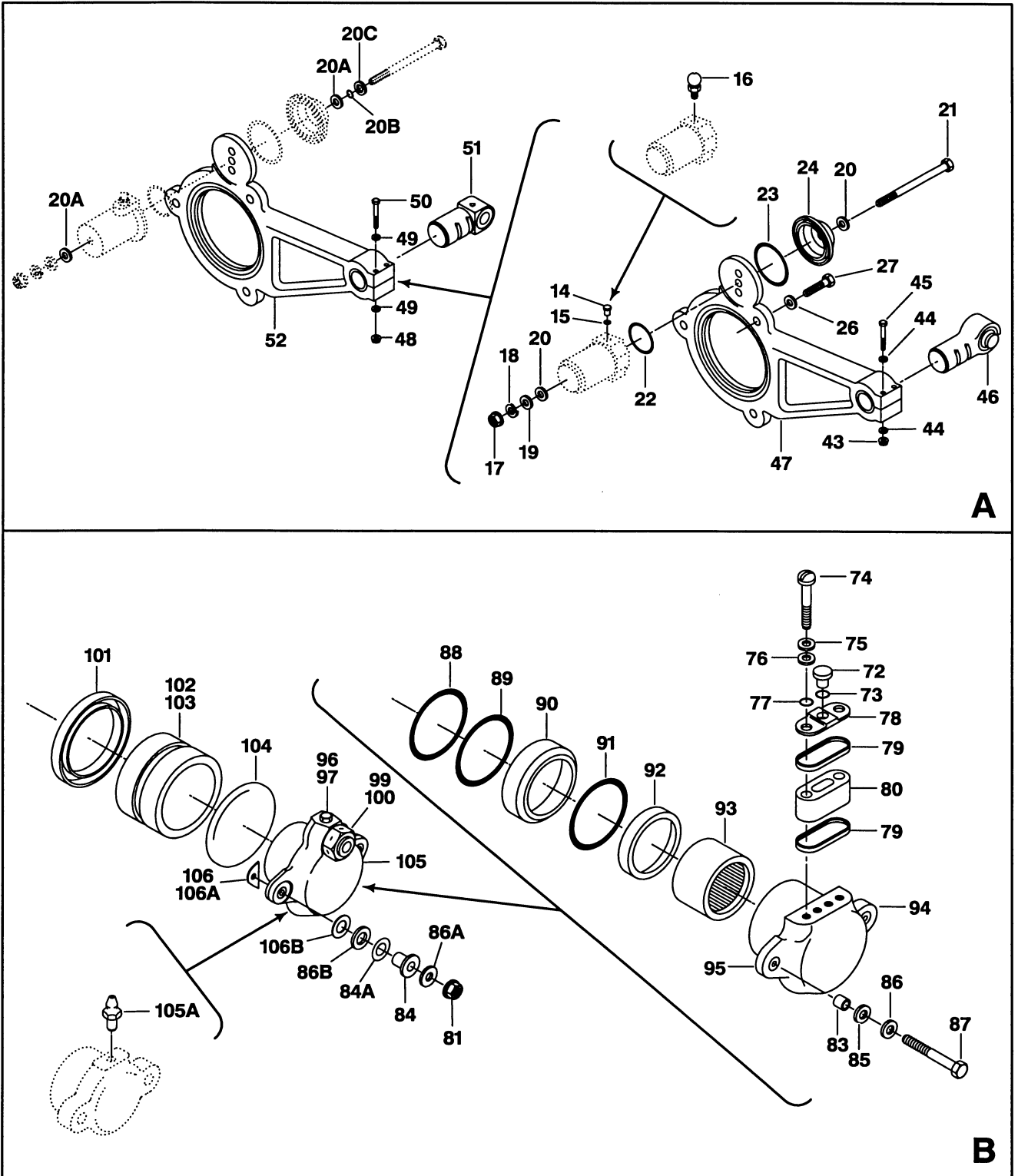
(1) INDEX NUMBER	(2) PART NUMBER	(3) ITEM NAME	(4) UNIT PER ASSY	(5) A V A I L	(6) U O C
FIGURE: 62-2. Hub and blade installation, main rotor (S/N 2212 thru SUB) (Cont'd)					
48	206-011-152-101	.NUT (REPLACES 206-010-198-001)	1	1	
49	206-011-117-003	.RESTRAINT ASSY	1	1	
50	206-011-116-001	..SPRING	2	1	
51	AN42B-3	..EYEBOLT	2	1	
52	AN960-416	..WASHER (REPLACED BY NAS1149F0463P)	6	1	
52	NAS1149F0463P	..WASHER (REPLACES AN960-416)	6		
53	NAS679A5	..NUT (REPLACED BY MS21042L5)	2		
53	MS21042L5	..NUT (REPLACES NAS679A5)	2	1	
54	AN960-516	..WASHER (REPLACED BY NAS1149F0563P)	18		
54	NAS1149F0563P	..WASHER (REPLACES AN960-516)	18		
55	AN970-5	..WASHER	16	1	
56	AN44-15	..EYEBOLT	2	1	
57	AN960-616	..WASHER (REPLACED BY NAS1149F0663P)	2	1	
57	NAS1149F0663P	..WASHER (REPLACES AN960-616)	2	1	
58	NAS679A4	..NUT (REPLACED BY MS21042L4)	2	0	
58	MS21042L4	..NUT (REPLACES NAS679A4)	2	1	
59	AN960-416L	..WASHER (REPLACED BY NAS1149F0432P)	2	1	
59	NAS1149F0432P	..WASHER (REPLACES AN960-416L)	2		
60	NAS464-4A17	..BOLT	2	1	
61	206-011-139-001	..ARM ASSY	2	1	
62	MS27644-4	...BEARING	1	1	
(ALTERNATE PART)					
62	DPP4	...BEARING	1		
63	206-010-191-001	..SUPPORT	1	1	
NOTE 1: SEE BHT-206A/B-SERIES-MM FOR USAGE					
NOTE 2: 206-015-517-103 TRIM TAB IS REPLACED BY 206-015-517-101 TRIM TAB ASSY.					
NOTE 3: 206-015-019-103 TRIM TAB IS REPLACED BY 206-015-019-101 TRIM TAB ASSY.					

(1) INDEX NUMBER	(2) PART NUMBER	(3) ITEM NAME	(4) UNIT PER ASSY	(5) A V A I L	(6) U O C																																													
		<p>FIGURE: 62-2. Hub and blade installation, main rotor (S/N 2212 thru SUB) (Cont'd)</p> <p style="text-align: center;">USABLE ON CODES</p> <table border="0" style="width: 100%;"> <thead> <tr> <th style="text-align: left;">CODE</th> <th style="text-align: left;">MODEL</th> <th style="text-align: left;">SERIAL NUMBER</th> </tr> </thead> <tbody> <tr><td>A</td><td>206BIII</td><td>2212-3216</td></tr> <tr><td>B</td><td>206BIII</td><td>2212-3617</td></tr> <tr><td>C</td><td>206BIII</td><td>2212-3665</td></tr> <tr><td>D</td><td>206BIII</td><td>2212-3942</td></tr> <tr><td>E</td><td>206BIII</td><td>2212-4216</td></tr> <tr><td>F</td><td>206BIII</td><td>2212-4224</td></tr> <tr><td>G</td><td>206BIII</td><td>2212-4448</td></tr> <tr><td>H</td><td>206BIII</td><td>2212-4449</td></tr> <tr><td>J</td><td>206BIII</td><td>3217-3617</td></tr> <tr><td>K</td><td>206BIII</td><td>3618-3665</td></tr> <tr><td>L</td><td>206BIII</td><td>3618-SUB</td></tr> <tr><td>M</td><td>206BIII</td><td>3666-4216</td></tr> <tr><td>N</td><td>206BIII</td><td>4217-4260</td></tr> <tr><td>P</td><td>206BIII</td><td>4261-SUB</td></tr> </tbody> </table> <p>1) UNLESS A USABLE ON PART NUMBER IS LISTED IN THE ITEM NAME COLUMN; NO CODE INDICATES THE PART APPLIES TO ALL SERIAL NUMBERS .</p> <p>2) IF THE SERIAL NUMBER IS BLANK THE PART APPLIES TO ALL SERIAL NUMBERS FOR THAT MODEL .</p>	CODE	MODEL	SERIAL NUMBER	A	206BIII	2212-3216	B	206BIII	2212-3617	C	206BIII	2212-3665	D	206BIII	2212-3942	E	206BIII	2212-4216	F	206BIII	2212-4224	G	206BIII	2212-4448	H	206BIII	2212-4449	J	206BIII	3217-3617	K	206BIII	3618-3665	L	206BIII	3618-SUB	M	206BIII	3666-4216	N	206BIII	4217-4260	P	206BIII	4261-SUB			
CODE	MODEL	SERIAL NUMBER																																																
A	206BIII	2212-3216																																																
B	206BIII	2212-3617																																																
C	206BIII	2212-3665																																																
D	206BIII	2212-3942																																																
E	206BIII	2212-4216																																																
F	206BIII	2212-4224																																																
G	206BIII	2212-4448																																																
H	206BIII	2212-4449																																																
J	206BIII	3217-3617																																																
K	206BIII	3618-3665																																																
L	206BIII	3618-SUB																																																
M	206BIII	3666-4216																																																
N	206BIII	4217-4260																																																
P	206BIII	4261-SUB																																																



206ABS-62-1003-1
C0000

Figure 62-3. Hub assembly, main rotor (S/N 4 thru 2211) (Sheet 1 of 2)



206ABS-62-1003-2
C0000

Figure 62-3. Hub assembly, main rotor (S/N 4 thru 2211) (Sheet 2)

(1) INDEX NUMBER	(2) PART NUMBER	(3) ITEM NAME	(4) UNIT PER ASSY	(5) A V A I L	(6) U O C
		FIGURE: 62-3. Hub assembly, main rotor (S/N 4 thru 2211)			
	206-010-100-003	HUB ASSY, MAIN ROTOR (SEE FIG. 1 FOR NHA) (REPLACED BY 206-010-100-005, -007, -009, 206-011-100-001, -003, -005, -007, -011, -017 AND -021)	REF		A
	206-010-100-005	HUB ASSY, MAIN ROTOR (SEE FIG. 1 FOR NHA) (REPLACES 206-010-100-003) (REPLACED BY 206-010-100-007, -009, 206-011-100-001, -003, -005, -007, -011, -017 AND -021)	REF	0	B
	206-010-100-007	HUB ASSY, MAIN ROTOR (SEE FIG. 1 FOR NHA) (REPLACES 206-010-003 AND -005) (REPLACED BY 206-010-100-009, 206-011-100-001, -003, -005, -007, 011, -017 AND -021)	REF		C
	206-010-100-009	HUB ASSY, MAIN ROTOR (SEE FIG. 1 FOR NHA) (REPLACES 206-010-100-003, -005 AND -007) (REPLACED BY 206-011-100-001, -003, -005, -007, -011, -017 AND -021)	REF		D
	206-011-100-001	HUB ASSY, MAIN ROTOR (SEE FIG. 1 FOR NHA) (REPLACES 206-010-100-003, -005, -007 AND -009) (REPLACED BY 206-011-100-003, -005, -007, 011, -017 AND -021)	REF		F
	206-011-100-003	HUB ASSY, MAIN ROTOR (SEE FIG. 1 FOR NHA) (REPLACES 206-010-100-003, -005, -007, -009 AND 206-011-100-001) (REPLACED BY 206-011-100-005, -007, -011, -017 AND -021)	REF		G
	206-011-100-005	HUB ASSY, MAIN ROTOR (SEE FIG. 1 FOR NHA) (REPLACES 206-010-100-003, -005, -007, -009, 206-011-100-001 AND -003) (REPLACED BY 206-011-100-007, -011, -017 AND -021)	REF		H
	206-011-100-007	HUB ASSY, MAIN ROTOR (SEE FIG. 1 FOR NHA) (REPLACES 206-010-100-003, -005, -007, -009, 206-011-100-001, -003 AND -005) (REPLACED BY 206-011-100-011, -017 AND -021)	REF	0	J
	206-011-100-011	HUB ASSY, MAIN ROTOR (SEE FIG. 1 FOR NHA) (REPLACES 206-010-100-003, -005, -007, -009, 206-011-100-001, -003, -005 AND -007) (REPLACED BY 206-011-100-017 AND -021)	REF		K
	206-011-100-017	HUB ASSY, MAIN ROTOR (SEE FIG. 1 FOR NHA) (REPLACES 206-010-100-003, -005, -007, -009, 206-011-100-001, -003, -005, -007 AND -011) (REPLACED BY 206-011-100-021)	REF		K2
	206-011-100-021	HUB ASSY, MAIN ROTOR (SEE FIG. 1 FOR NHA) (REPLACES 206-010-100-003, -005, -007, -009, 206-011-100-001, -003, -005, -007, -011 AND -017)	REF	0	
1	206-010-147-001	.CAP	2	1	
2	AN6227-13	.PACKING, PREFORMED (NOTE 11) (REPLACED BY MS28775-115)	2	0	
2	MS28775-115	.PACKING, PREFORMED (NOTE 11) (REPLACES AN6227-13) (REPLACED BY M83461/1-115)	2	1	
2	M83461/1-115	.PACKING, PREFORMED (NOTE 11) (REPLACES MS28775-115)	2		

(1) INDEX NUMBER	(2) PART NUMBER	(3) ITEM NAME	(4) UNIT PER ASSY	(5) A V A I L	(6) U O C
FIGURE: 62-3. Hub assembly, main rotor (S/N 4 thru 2211) (Cont'd)					
3	NAS1022A14	.NUT (REPLACED BY 206-011-119-001)	2	1	H
3	206-011-119-001	.NUT (REPLACES NAS1022A14)	2	1	
4	206-010-154-001	.WASHER (NOTE 5) (REPLACED BY 206-010-154-003) . . .	2	0	
4	206-010-154-003	.WASHER (NOTE 5) (REPLACES 206-010-154-001)	2	1	
5	206-010-153-001	.WASHER	2	1	
6	206-010-152-001	.BOLT (NOTE 5) (REPLACED BY 206-010-152-003)	2	0	
6	206-010-152-003	.BOLT (NOTE 5) (REPLACES 206-010-152-001)	2	1	
7	206-010-167-003	.NUT (REPLACED BY EB9025-14)	4	0	C
7	EB9025-14	.NUT (REPLACES 206-010-167-003)	4	1	
8	206-010-121-005	.LATCH	4	1	
9	206-011-115-001	.CLOSURE	2	1	
10	206-010-122-003	.SPRING	4	1	
11	NAS1022A14	.NUT (REPLACED BY 206-011-119-001)	2	1	
11	206-011-119-001	.NUT (REPLACES NAS1022A14)	2	1	
12	MS20002-14	.WASHER	2	1	
13	206-010-169-001	.BOLT (REPLACED BY 206-011-169-003 AND 206-011-260-103)	2	0	
13	206-010-169-003	.BOLT (REPLACES 206-010-169-001) (REPLACED BY 206-011-260-103)	2	0	
13	206-011-260-103	.BOLT (REPLACES 206-010-169-001 AND -003)	2	1	
14	AN814-2D	.PLUG	2	1	A
15	NAS617-2	.PACKING, PREFORMED (REPLACED BY M83248/1-902)	2		A
15	M83248/1-902	.PACKING, PREFORMED (REPLACES NAS617-2)	2	1	A
16	304810-1	.BREATHER FITTING, AIR VENT	2	1	L
17	MS21042L4	.NUT	2	1	
18	MS35338-44	.WASHER	2	1	
19	AN960-416L	.WASHER (REPLACED BY NAS1149F0432P)	2	1	
19	NAS1149F0432P	.WASHER (REPLACES AN960-416L)	2		
20	600-742-1-4	.STRAT-O-SEAL	2	0	J
20A	600-742-1-4	.STRAT-O-SEAL	2	0	N
20B	MS2002C4	.WASHER	2		N
20C	MS29561-007	.PACKING, PREFORMED (NOTE 11) (REPLACED BY M83248/1-007)	2		N
20C	M83248/1-007	.PACKING, PREFORMED (NOTE 11) (REPLACES MS29561-007)	2		N
21	AN4DD34A	.BOLT (REPLACED BY AN4-34A)	2	1	
21	AN4-34A	.BOLT (REPLACES AN4DD34A)	2	1	
22	MS29561-127	.PACKING, PREFORMED (REPLACED BY M83248/1-127)	2	0	C
22	M83248/1-127	.PACKING, PREFORMED (REPLACES MS29561-127)	2		C
22	MS29561-220	.PACKING, PREFORMED (REPLACED BY M83248/1-220)	2		M
22	M83248/1-220	.PACKING, PREFORMED (REPLACES MS29561-220)	2	1	M
23	MS29561-131	.PACKING, PREFORMED (REPLACED BY M83248/1-131)	2		
23	M83248/1-131	.PACKING, PREFORMED (REPLACES MS29561-131)	2		
24	206-010-197-001	.SIGHT GLASS (REPLACED BY 206-011-107-001)	2		C
24	206-011-107-001	.SIGHT GLASS (REPLACES 206-010-197-001)	2	1	
25	MS21042L5	.NUT	6	1	
26	AN960JD516	.WASHER (REPLACED BY NAS1149D0563J)	12	1	D
26	NAS1149D0563J	.WASHER (REPLACES AN960JD516)	12	1	D
26	AN960-516	.WASHER (REPLACED BY NAS1149F0563P)	12		N

(1) INDEX NUMBER	(2) PART NUMBER	(3) ITEM NAME	(4) UNIT PER ASSY	(5) A V A I L	(6) U O C
		FIGURE: 62-3. Hub assembly, main rotor (S/N 4 thru 2211) (Cont'd)			
26	NAS1149F0563P	.WASHER (REPLACES AN960-516)	12		N
27	AN175-12A	.BOLT	6	1	D
27	NAS1305-13	.BOLT (REPLACED BY NAS6605-13 AND 20-057-5-13) . . .	6	0	N
27	NAS6605-13	.BOLT (REPLACES NAS1305-13) (REPLACED BY 20-057-5-13)	6	1	N
27	20-057-5-13	.BOLT (REPLACES NAS1305-13 AND NAS6605-13)	6	1	N
28	MS29561-248	.PACKING, PREFORMED (NOTE 11) (REPLACED BY M83248/1-248)	2		
28	M83248/1-248	.PACKING, PREFORMED (NOTE 11) (REPLACES MS29561-248)	2	1	
29	56JTG2064ZP	.BEARING, ROLLER	4		C
29	206-010-189-001	.BEARING, ROLLER	4	1	M
30	206-010-118-001	.SPACER	2	1	
31	206-010-102-009	.GRIP ASSY (USBL ON 206-011-100-001, -003, -005 . . AND -007) (REPLACED BY 206-010-102-117 , 206-010-109-117 AND 206-010-102-121)	2	0	D
31	206-010-102-117	.GRIP ASSY (USBL ON 206-011-100-011) (REPLACES . . . 206-010-102-009) (REPLACED BY 206-010-109-117 AND 206-010-102-121)	2		K
31	206-010-109-117	.GRIP ASSY (USBL ON 206-011-100-017) (REPLACES . . . 206-010-102-009 AND -117) (REPLACED BY 206-010-102-121)	2		K2
31	206-010-102-121	.GRIP ASSY (REPLACES 206-010-102-009, -117 AND . . . 206-010-109-117)	2		
32	206-010-134-001	.PLATE, BUFFER GRIP, MAIN ROTOR	2	1	
33	NAS607-4-6P	.PIN	1	1	
34	MS15001-1	.FITTING (USBL ON 206-010-102-121)	1	1	
35	206-010-148-001	.RING	2	1	D
36	206-010-108-001	.RETAINER	2	1	D
37	MS29561-342	.PACKING, PREFORMED, INBOARD (NOTE 4) (REPLACED . . BY S30127-341G5)	2		D
37	S30127-341G5	.SEAL ASSY, INBOARD (REPLACES MS29561-342 AND M83248/1-342)	2	1	D
38	S11717-341	.RING, INBOARD (NOTE 4) (REPLACED BY S30127-341G5)	2		D
39	S30127-341G5	.SEAL ASSY, INBOARD (NOTE 4) (USBL ON 206-010-100-003, -005, -007 AND -009) (REPLACES S11717-341)	2	1	D
40	MS29561-242	.PACKING, PREFORMED (REPLACED BY M83248/1-242) . . .	2		D
40	M83248/1-242	.PACKING, PREFORMED (REPLACES MS29561-242)	2		D
41	206-011-106-001	.SHIELD, HUB	2	1	N
42	476332	.SEAL, PLAIN, ENCASED (USBL ON 206-011-100-001, . . -003, -005, -007 AND -011) (REPLACED BY 206-011-123-103)	2	0	N
42	206-011-123-001	.SEAL, GRIP (USBL ON 206-011-100-017) (REPLACED . . BY 206-011-123-103)	2	0	N
42	206-011-123-103	.SEAL, GRIP (REPLACES 476332 AND 206-011-123-001)	2	1	N
43	MS21042L4	.NUT	4	1	

(1) INDEX NUMBER	(2) PART NUMBER	(3) ITEM NAME	(4) UNIT PER ASSY	(5) A V A I L	(6) U O C
		FIGURE: 62-3. Hub assembly, main rotor (S/N 4 thru 2211) (Cont'd)			
44	AN960JD416	.WASHER (REPLACED BY NAS1149D0463J)	8		C
44	NAS1149D0463J	.WASHER (REPLACES AN960JD416)	8		C
45	AN4-15A	.BOLT	4	1	D
46	206-010-186-001	.BEARING (REPLACED BY 206-010-341-001)	2		B
46	206-010-341-001	.BEARING (REPLACES 206-010-186-001)	2	1	D
47	206-010-185-001	.PITCH HORN ASSY	2	6	D
48	MS21042L4	.NUT	4	1	
49	AN960-416	.WASHER (REPLACED BY NAS1149F0463P)	8	1	M
49	NAS1149F0463P	.WASHER (REPLACES AN960-416)	8		M
50	AN4-20A	.BOLT (REPLACED BY 20-057-4-25)	4	1	J
50	20-057-4-25	.BOLT (REPLACES AN4-20A)	4	1	
51	206-011-105-001	.TRUNNION ASSY	2	1	N
52	206-011-104-005	.PITCH HORN ASSY	2	1	N
53	MS29561-230	.PACKING, PREFORMED (NOTE 11) (REPLACED BY M83248/1-230 AND 206-011-130-001)	2		
53	M83248/1-230	.PACKING, PREFORMED (REPLACES MS29561-230) (REPLACED BY 206-011-130-001)	2	1	
53	206-011-130-001	.RETAINER ASSY (REPLACES MS29561-230 AND M83248/1-230) (REPLACED BY 206-011-130-003)	2	0	
53	206-011-130-003	.RETAINER ASSY (REPLACES 206-011-130-001)	2	0	
54	206-010-107-001	.RETAINER (REPLACED BY 206-011-130-001 AND -003)	2	0	
55	S30128-332G5	.SEAL ASSY, OUTBOARD (NOTE 3, 11) (REPLACES S11718-332) (REPLACED BY 206-011-130-001 AND -003)	2	6	
55	206-011-130-001	.RETAINER ASSY (REPLACES S11718-332 AND S30128-332G5) (REPLACED BY 206-011-130-003)	2	0	
55	206-011-130-003	.RETAINER ASSY (REPLACES S11718-332 AND S30128-332G5)	2	0	
56	MS29561-331	.PACKING, PREFORMED (NOTE 3) (REPLACED BY S30128-332G5) (REPLACED BY M83248/1-331)	2	1	
56	M83248/1-331	.PACKING, PREFORMED (NOTE 3) (REPLACED BY S30128-332G5) (REPLACES MS29561-331)	2		
57	S11718-332	.RING, OUTBOARD (NOTE 3) (REPLACED BY S30128-332G5, 206-011-130-001 AND -003)	2	1	
58	206-011-130-001	.RETAINER ASSY (REPLACES 206-010-107-001) (REPLACED BY 206-011-130-003)	2	0	
58	206-011-130-003	.RETAINER ASSY (REPLACES 206-010-107-001 AND 206-011-130-001)	2	0	
59	MS29561-230	..PACKING, PREFORMED (REPLACED BY M83248/1-230)	1		
59	M83248/1-230	..PACKING, PREFORMED (REPLACES MS29561-230)	1	1	
60	206-011-129-001	..RETAINER (USABLE ON 206-011-130-001)	2	0	
60	206-011-129-003	..RETAINER (USABLE ON 206-011-130-003)	1	1	
61	568-331S59	..PACKING, PREFORMED (NOTE 11)	1	0	
62	S30769	..EXCLUDER (NOTE 11)	1	1	
63	NAS1306-3H	.BOLT (REPLACED BY NAS6606H3)	4		
63	NAS6606H3	.BOLT (REPLACES NAS1306-3H)	4	1	
64	AN960-616	.WASHER (REPLACED BY NAS1149F0663P)	4	1	
64	NAS1149F0663P	.WASHER (REPLACES AN960-616)	4	1	

(1) INDEX NUMBER	(2) PART NUMBER	(3) ITEM NAME	(4) UNIT PER ASSY	(5) A V A I L	(6) U O C
		FIGURE: 62-3. Hub assembly, main rotor (S/N 4 thru 2211) (Cont'd)			
65	206-010-187-001	.STOP, STATIC, MAIN ROTOR (NOTE 1) (USBL ON 206-010-100-003, -005 AND -007)	2	1	
65	206-011-109-001	.STOP, STATIC, MAIN ROTOR (USBL ON 206-010-100-009, 206-011-100-001, -003, -007 AND -011) (REPLACED BY 206-011-121-001 AND -103)	2		
65	206-011-121-001	.STOP, STATIC, MAIN ROTOR (USBL ON 206-010-100-009, 206-011-100-001, -003, -007, -011 AND -017) (REPLACES 206-011-109-001) (REPLACED BY 206-011-121-103)	2		
65	206-011-121-103	.STOP, STATIC, MAIN ROTOR (USBL ON 206-010-100-009, 206-011-100-001, -003, -007, -011 AND -017) (REPLACES 206-011-109-001 AND 206-011-121-001)	2	0	
66	206-010-156-001	.SHIM, STATIC STOP, MAIN ROTOR	2	1	
67	206-011-114-001	.STOP, INBOARD FITTING, MAIN ROTOR	2	1	
68	206-010-123-001	.PIN ASSY (NOTE 2) (REPLACED BY 206-010-123-003) . .	2	0	D
68	206-010-123-003	.PIN (NOTE 2) (REPLACES 206-010-123-001)	2	1	
69	206-010-105-003	.STRAP ASSY (NOTE 9, 12, 15) (REPLACED BY 206-011-147-001 AND -005)	2	0	
69	206-011-147-001	.STRAP ASSY (NOTE 9, 12, 15) (REPLACES 206-010-105-003) (REPLACED BY 206-011-147-005) (ALTERNATE PART)	2		
69	206-011-154-101	.STRAP ASSY (NOTE 9, 15)	2		
69	206-011-147-005	.STRAP ASSY (NOTE 9, 15) (REPLACES 206-010-105-003 AND 206-011-147-001) (ALTERNATE PART)	2	1	
69	206-011-154-105	.STRAP ASSY (NOTE 9, 15)	2	1	
70	206-010-113-005	.RING	2	1	
71	206-010-155-007	.FITTING ASSY (REPLACED BY 206-010-155-011, -015 . AND 206-011-140-001)	2		
71	206-010-155-011	.FITTING ASSY (NOTE 9) (REPLACES 206-010-155-007) (REPLACED BY 206-010-155-015 AND 206-011-140-001)	2		
71	206-010-155-015	.FITTING ASSY (NOTE 7) (REPLACES 206-010-155-007 . AND -011) (REPLACED BY 206-011-140-001)	2	0	
71	206-011-140-001	.FITTING ASSY (NOTE 8) (REPLACES 206-010-155-007, 011 AND -015)	2	1	
72	MS9015-01	.PLUG	2	1	C
73	MS29561-008	.PACKING, PREFORMED (NOTE 11) (REPLACED BY M83248/1-008)	2		C
73	M83248/1-008	.PACKING, PREFORMED (NOTE 11) (REPLACES MS29561-008)	2	1	C
74	AN502-416-20	.SCREW	4	1	C
75	MS35339-25	.WASHER (REPLACED BY MS35340-44)	4		C
75	MS35340-44	.WASHER (REPLACES MS35339-25)	4		C
76	AN960-416L	.WASHER (REPLACED BY NAS1149F0432P)	4	1	C
76	NAS1149F0432P	.WASHER (REPLACES AN960-416L)	4		C
77	600-742 1-4	.SEAL (NOTE 11)	4		C
78	206-010-178-001	.COVER	2	1	C

(1) INDEX NUMBER	(2) PART NUMBER	(3) ITEM NAME	(4) UNIT PER ASSY	(5) A V A I L	(6) U O C
		FIGURE: 62-3. Hub assembly, main rotor (S/N 4 thru 2211) (Cont'd)			
79	MS29561-026	.PACKING, PREFORMED (REPLACED BY M83248/1-026) . . .	4		C
79	M83248/1-026	.PACKING, PREFORMED (REPLACES MS29561-026)	4		C
80	206-010-179-001	.SIGHT GLASS	2	1	C
81	MS21042L4	.NUT (PRE TB 206-80-34) (NOTE 14)	4	1	C
81	EB048	.NUT (POST TB 206-80-34)	4	0	M
82	AN960JD416	.WASHER (PRE TB 206-80-34) (NOTE 14) (REPLACED BY . NAS1149D0463J)	4		C
82	NAS1149D0463J	.WASHER (PRE TB 206-80-34) (NOTE 14) (REPLACES . . . AN960JD416)	4		C
82	AN960-416	.WASHER (PRE TB 206-80-34) (REPLACED BY NAS1149F0463P)	4	1	M
82	NAS1149F0463P	.WASHER (PRE TB 206-80-34) (REPLACES AN960-416) . .	4		M
82	MS9482-10	.WASHER (POST TB 206-80-34)	4	1	
83	206-010-170-001	.BUSHING (NOTE 16) (REPLACED BY 206-011-128-001 . . AND -101)	4		
84	206-011-128-001	.BUSHING (NOTE 16) (REPLACES 206-010-170-001) . . . (REPLACED BY 206-011-128-101)	4		
84	206-011-128-101	.BUSHING (PRE ASB 206-97-90) (NOTE 16) (REPLACES . . 206-010-170-001 AND 206-011-128-001)	4	1	
84	206-011-128-103	.BUSHING (POST ASB 206-97-90)	4		
84A	120-007C21E13	.SHIM (POST ASB 206-97-90)	4		
85	206-010-171-001	.WASHER (PRE TB 206-80-34) (NOTE 16)	4	6	C
86	MS9482-10	.WASHER (POST TB 206-80-34) (PRE ASB 206-97-90) . . (NOTE 14)	8	1	M
86A	MS9482-10	.WASHER (POST ASB 206-97-90)	4	1	
86B	206-011-754-101	.WASHER (POST ASB 206-97-90)	4		
87	AN4H12A	.BOLT (PRE TB 206-80-34) (NOTE 14)	4	1	C
87	20-057-4-13	.BOLT (PRE TB 206-80-34) (NOTE 14)	4	1	E
87	MS21250-04018	.BOLT (POST TB 206-80-34) (PRE ASB 206-97-90) (NOTE 14)	4	0	N
87	206-310-005-101	.BOLT (POST ASB 206-97-90)	4	1	
88	206-010-148-003	.RING	2	1	C
89	MS29561-140	.PACKING, PREFORMED (REPLACED BY M83248/1-140) . . .	2		C
89	M83248/1-140	.PACKING, PREFORMED (REPLACES MS29561-140)	2	1	C
90	206-010-109-001	.RETAINER	2	1	C
91	MS29561-225	.PACKING, PREFORMED (REPLACED BY M83248/1-225) . . .	2		C
91	M83248/1-225	.PACKING, PREFORMED (REPLACES MS29561-225)	2		C
92	S11717-224	.RING	2	1	C
93	206-010-190-001	.BEARING	2	1	C
94	206-010-103-003	.PILLOW BLOCK ASSY (USBL ON 206-010-100-003, -005 AND -007)	2		C
95	206-010-103-007	. . PAD	2	1	
96	MS9015-01	.PLUG	2	1	M
97	MS29561-008	.PACKING, PREFORMED (NOTE 11) (REPLACED BY M83248/1-008)	2		M
97	M83248/1-008	.PACKING, PREFORMED (NOTE 11) (REPLACES MS29561-008)	2	1	M
98	DELETED			
99	S53	.SIGHT PLUG	2	1	M

(1) INDEX NUMBER	(2) PART NUMBER	(3) ITEM NAME	(4) UNIT PER ASSY	(5) A V A I L	(6) U O C
		FIGURE: 62-3. Hub assembly, main rotor (S/N 4 thru 2211) (Cont'd)			
100	MS28778-8	.PACKING, PREFORMED (NOTE 11)	2	1	M
101	410351	.SEAL (NOTE 11) (REPLACED BY 17283)	2	1	M
101	17283	.SEAL (NOTE 11) (REPLACES 410351)	2		M
102	206-011-111-001	.BEARING (NOTE 6)	2	1	M
103	206-011-111-003	..RACE	1	1	
104	206-011-156-101	..WEAR DISK (USBL ON 206-011-102-115 , -117, -119 . . AND -125)	1	1	
105	206-011-102-001	.PILLOW BLOCK ASSY (USBL ON 206-010-100-009, 206-011-100-001, -003, -005, -007 AND -011) (REPLACED BY 206-011-102-007, -115 AND -117)	2	0	M
105	206-011-102-007	.PILLOW BLOCK ASSY (USBL ON 206-010-100-009, 206-011-100-001, -003, -005, -007 AND -001) (REPLACES 206-011-102-001) (REPLACED BY 206-011-102-115 AND -117)	2		M
105	206-011-102-115	.PILLOW BLOCK ASSY (PRE ASB 206-97-90) (USBL ON . . . 206-010-100-009, 206-011-100-001, -003, -005, -007 AND -011) (REPLACES 206-011-102-001 AND -007) (REPLACED BY 206-011-102-117 AND -125)	2	1	M
105	206-011-102-125	.PILLOW BLOCK ASSY (POST ASB 206-97-90) (REPLACES 206-011-102-115)	2	1	
105	206-011-102-117	.PILLOW BLOCK ASSY (PRE ASB 206-97-90) (USBL ON . . . 206-010-100-009, 206-011-100-001, -003, -005, -007 AND -011) (REPLACES 206-011-102-001, -007 AND -115) (REPLACED BY 206-011-102-119)	2	1	M
105	206-011-102-119	.PILLOW BLOCK ASSY (POST ASB 206-97-90) (REPLACES 206-011-102-117)	2		
105A	MS15001-1	..FITTING (USBL ON 206-011-102-117 AND -119)	2	1	
106	206-011-102-005	..PAD (PRE ASB 206-97-90) (MAKE FROM 150-023-1) . . .	2	1	
106	150-023-1	..PAD (PRE ASB 206-97-90)	2		
106A	206-011-102-121	..PAD (POST ASB 206-97-90) (MAKE FROM 150-044-1) . . .	2		
106A	150-044-1	..BUFFER (POST ASB 206-97-90)	2	1	
106B	206-011-102-123	..PAD (POST ASB 206-97-90) (MAKE FROM 150-044-1) . . .	2		
106B	150-044-1	..BUFFER (POST ASB 206-97-90)	2	1	
107	MS29561-214	.PACKING, PREFORMED (REPLACED BY M83248/1-214)	2	1	C
107	M83248/1-214	.PACKING, PREFORMED (REPLACES MS29561-214)	2	1	C
107	MS29561-115	.PACKING, PREFORMED (NOTE 11) (REPLACED BY M83248/1-115)	2		M
107	M83248/1-115	.PACKING, PREFORMED (NOTE 11) (REPLACES MS29561-115)	2		M
108	206-010-110-001	.THRUST WASHER (PRE TB 206-83-86)	2	1	C
108	206-010-110-003	.THRUST WASHER (PRE TB 206-83-86)	2		M
108	206-010-110-105	.THRUST WASHER (POST TB 206-83-86) (NOTE 13) (USBL ON 206-010-100-009, 206-011-100-001, -003, -005, -007 AND -011)	2	1	M
109	206-011-159-101	.DISK (POST TB 206-83-86) (NOTE 13)	2	1	
110	206-010-111-001	.ADJUSTING SCREW (NOTE 13) (REPLACED BY 206-010-111-105)	2	0	
110	206-010-111-105	.ADJUSTING SCREW (REPLACES 206-010-111-001)	2	1	
111	MS24693-S271	.SCREW	1	1	N

(1) INDEX NUMBER	(2) PART NUMBER	(3) ITEM NAME	(4) UNIT PER ASSY	(5) A V A I L	(6) U O C
FIGURE: 62-3. Hub assembly, main rotor (S/N 4 thru 2211) (Cont'd)					
112	206-010-140-003	.WASHER	1	1	N
113	206-010-136-003	.TRUNNION ASSY	1	0	C
113	206-011-113-001	.TRUNNION ASSY (REPLACED BY 206-011-113-103)	1	0	M
113	206-011-113-103	.TRUNNION ASSY (REPLACES 206-011-113-001)	1	1	M
114	206-010-101-001	.YOKE ASSY (REPLACED BY 206-010-101-005 AND -013)	1		D
114	206-010-101-005	.YOKE ASSY (REPLACES 206-010-101-001) (REPLACED . . . BY 206-010-101-013)	1	0	D
114	206-010-101-013	.YOKE ASSY (REPLACES 206-010-101-001 AND -005) . . .	1	6	D
114	206-010-101-009	.YOKE ASSY (REPLACED BY 206-010-101-021, -125 AND -129)	1		N
114	206-010-101-021	.YOKE ASSY (NOTE 10) (REPLACES 206-010-101-009) . . . (REPLACED BY 206-010-101-125 AND -129)	1		N
114	206-010-101-125	.YOKE ASSY (REPLACES 206-010-101-009 AND -021) . . . (REPLACED BY 206-010-101-129)	1		N
114	206-010-101-129	.YOKE ASSY (REPLACES 206-010-101-009, -021 AND -125)	1	1	N
115	JS1125	.SLEEVE (REPLACED BY 206-010-245-101)	2	0	N
115	206-010-245-101	.SLEEVE (REPLACES JS1125)	2	1	N
	206-1219-8	SEAL KIT, M/R HUB, OIL HUB	1	0	
NOTE 1: STATIC STOP 206-010-187-001 TO BE USED WITH MAST 206-010-332-001 ONLY.					
NOTE 2: DO NOT MIX 206-010-123-003 PIN AND 206-010-123-001 PIN.					
NOTE 3: RING P/N S11718-332 AND PACKING P/N MS29561-331 REPLACED AS A UNIT BY SEAL P/N S30128-332G5.					
NOTE 4: RING P/N S11717-341 AND PACKING P/N MS29561-342 REPLACED AS A UNIT BY SEAL P/N S30127-341G5.					
NOTE 5: DO NOT MIX 206-010-154-001 AND -003 OR 206-010-152-001 AND -003, USE -001 OR -003 TOGETHER.					
NOTE 6: 206-011-111-001 MUST BE REPLACED IN SETS, DO NOT MIX.					
NOTE 7: USE 206-010-155-015 IN PAIRS. DO NOT MIX WITH 206-010-155-007 OR -011. USE WITH 206-010-123-003.					
NOTE 8: USE 206-011-140-001 IN PAIRS. DO NOT MIX WITH 206-010-155-015, -011 OR -007.					

(1) INDEX NUMBER	(2) PART NUMBER	(3) ITEM NAME	(4) UNIT PER ASSY	(5) A V A I L	(6) U O C
		<p>FIGURE: 62-3. Hub assembly, main rotor (S/N 4 thru 2211) (Cont'd)</p> <p>NOTE 9: USE AND REPLACE IN PAIRS.</p> <p>NOTE 10: MUST MODIFY HUB TO ACCEPT 206-010-101-021 YOKE ASSY.</p> <p>NOTE 11: PART OF SEAL KIT 206-1219-8.</p> <p>NOTE 12: DO NOT MIX 206-011-147-001 STRAP AND 206-010-105-003 STRAP.</p> <p>NOTE 13: 206-010-110-105 THRUST WASHER AND 206-011-159-101 DISK AS A UNIT REPLACES 206-010-110-003 THRUST WASHER.</p> <p>NOTE 14: MS21250-04018 BOLT, MS9482-10 WASHER AND EB-048 NUT AS A UNIT REPLACES MS21042L4 NUT, AN960PD416 WASHER AND 20-057-4-13 BOLT.</p> <p>NOTE 15: DO NOT INTERMIX STRAPS WITH DIFFERENT PART NUMBERS.</p> <p>NOTE 16: 206-010-170-001 BUSHING AND 206-010-171-001 WASHER AS A UNIT IS REPLACED BY 206-011-128-001 OR -101 BUSHING.</p> <p>NOTE 17: EFFECTIVE SERIAL NUMBERS 4-833, 835, 836, 838 AND 841</p> <p>NOTE 18: EFFECTIVE SERIAL NUMBERS 4-851, 853, 856 AND 857</p>			

(1) INDEX NUMBER	(2) PART NUMBER	(3) ITEM NAME	(4) UNIT PER ASSY	(5) A V A I L	(6) U O C																																													
		<p>FIGURE: 62-3. Hub assembly, main rotor (S/N 4 thru 2211) (Cont'd)</p> <p style="text-align: center;">USABLE ON CODES</p> <table border="0" style="width: 100%;"> <thead> <tr> <th style="text-align: left;">CODE</th> <th style="text-align: left;">MODEL</th> <th style="text-align: left;">SERIAL NUMBER</th> </tr> </thead> <tbody> <tr><td>A</td><td>206A</td><td>4-103</td></tr> <tr><td>B</td><td>206A</td><td>4-153</td></tr> <tr><td>C</td><td>206A</td><td>4-413</td></tr> <tr><td>D</td><td>206A</td><td>4-660</td></tr> <tr><td>E</td><td>206A</td><td>414-660</td></tr> <tr><td>F</td><td>206A/B</td><td>*SEE NOTE 17</td></tr> <tr><td>G</td><td>206A/B</td><td>*SEE NOTE 18</td></tr> <tr><td>H</td><td>206A/B</td><td>4-1163</td></tr> <tr><td>J</td><td>206A/B</td><td>4-1251</td></tr> <tr><td>K</td><td>206A/B</td><td>4-1657</td></tr> <tr><td>K2</td><td>206A/B</td><td>4-2145</td></tr> <tr><td>L</td><td>206A/B</td><td>104-2211</td></tr> <tr><td>M</td><td>206A/B</td><td>414-2211</td></tr> <tr><td>N</td><td>206A/B</td><td>661-2211</td></tr> </tbody> </table> <p>1) UNLESS A USABLE ON PART NUMBER IS LISTED IN THE ITEM NAME COLUMN; NO CODE INDICATES THE PART APPLIES TO ALL SERIAL NUMBERS.</p> <p>2) IF THE SERIAL NUMBER IS BLANK THE PART APPLIES TO ALL SERIAL NUMBERS FOR THAT MODEL.</p>	CODE	MODEL	SERIAL NUMBER	A	206A	4-103	B	206A	4-153	C	206A	4-413	D	206A	4-660	E	206A	414-660	F	206A/B	*SEE NOTE 17	G	206A/B	*SEE NOTE 18	H	206A/B	4-1163	J	206A/B	4-1251	K	206A/B	4-1657	K2	206A/B	4-2145	L	206A/B	104-2211	M	206A/B	414-2211	N	206A/B	661-2211			
CODE	MODEL	SERIAL NUMBER																																																
A	206A	4-103																																																
B	206A	4-153																																																
C	206A	4-413																																																
D	206A	4-660																																																
E	206A	414-660																																																
F	206A/B	*SEE NOTE 17																																																
G	206A/B	*SEE NOTE 18																																																
H	206A/B	4-1163																																																
J	206A/B	4-1251																																																
K	206A/B	4-1657																																																
K2	206A/B	4-2145																																																
L	206A/B	104-2211																																																
M	206A/B	414-2211																																																
N	206A/B	661-2211																																																

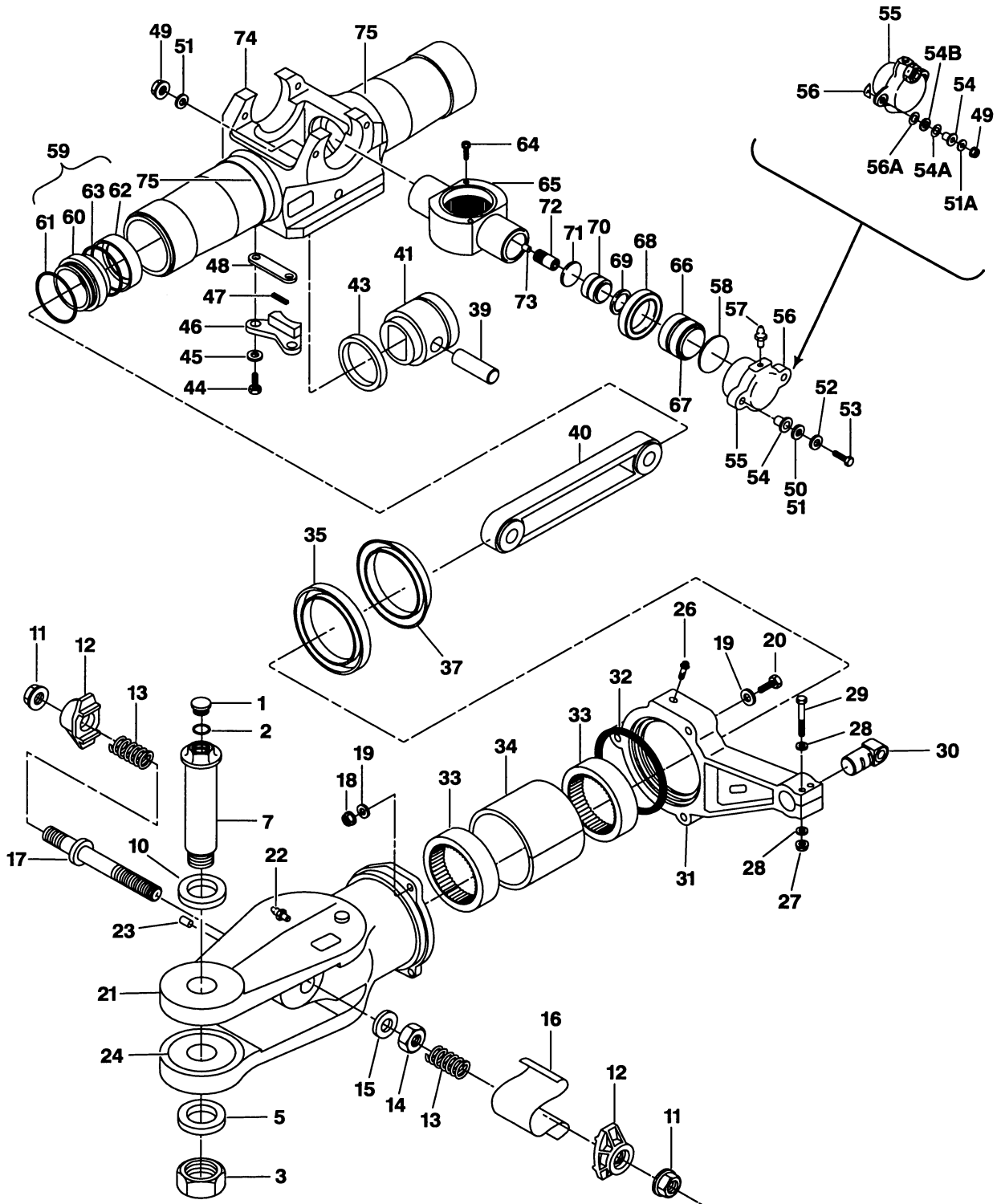
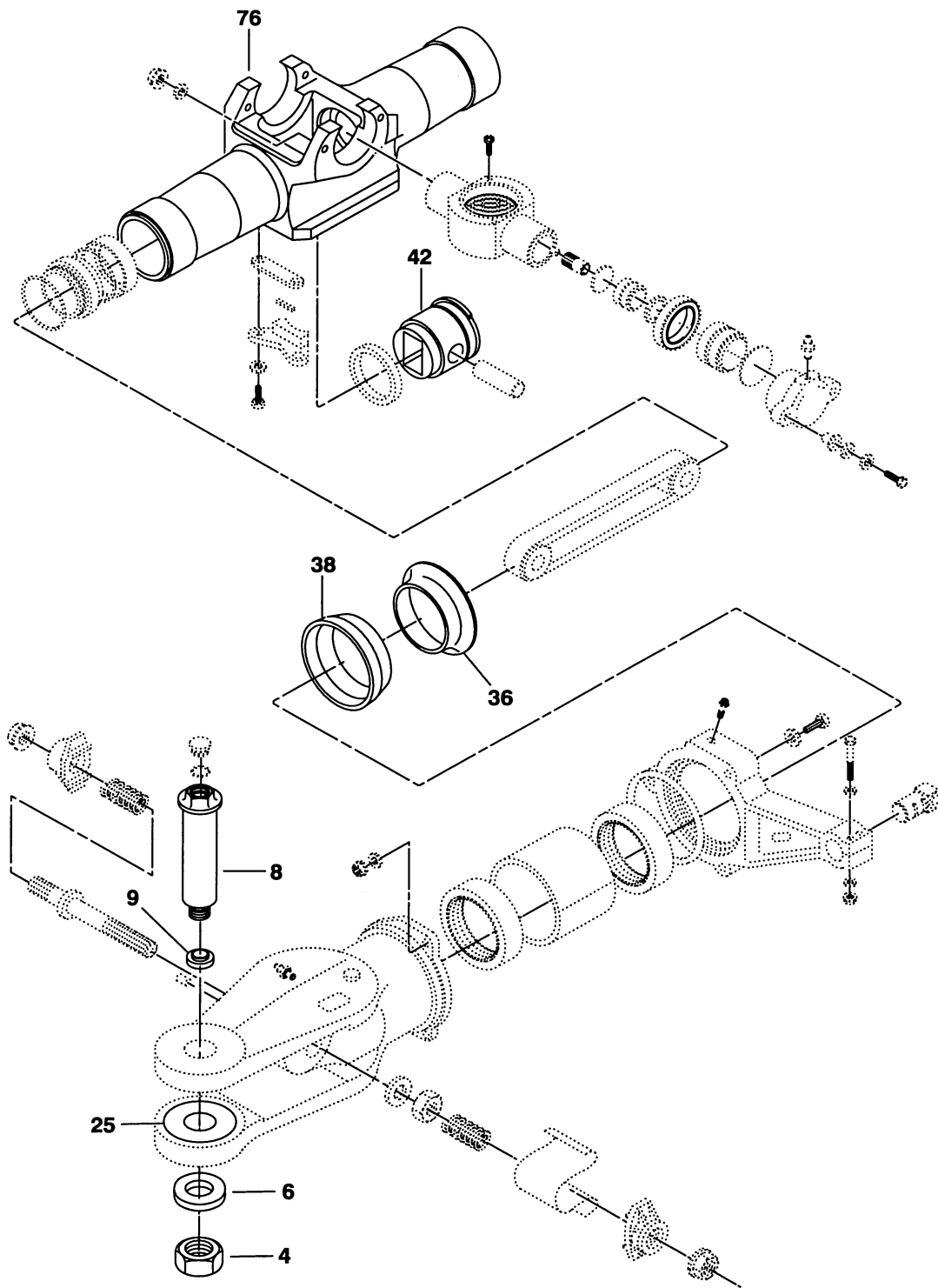


Figure 62-4. Hub assembly, main rotor (S/N 2212 thru SUB) (Sheet 1 of 2)

206ABS-62-1004-1
C0000



206ABS-62-1004-2
C0000

Figure 62-4. Hub assembly, main rotor (S/N 2212 thru SUB) (Sheet 2)

(1) INDEX NUMBER	(2) PART NUMBER	(3) ITEM NAME	(4) UNIT PER ASSY	(5) A V A I L	(6) U O C
		FIGURE: 62-4. Hub assembly, main rotor (S/N 2212 thru SUB)			
	206-011-100-021	HUB ASSY, MAIN ROTOR (SEE FIG. 2 FOR NHA) (REPLACED BY 206-011-100-127, -137, -145, -149, -157, -103 AND -107)	REF	0	A
	206-011-100-127	HUB ASSY, MAIN ROTOR (SEE FIG. 2 FOR NHA) (REPLACES 206-011-100-021) (REPLACED BY 206-011-100-137, -145, -149, -157, -103 AND -107)	REF	0	B
	206-011-100-137	HUB ASSY, MAIN ROTOR (SEE FIG. 2 FOR NHA) (REPLACES 206-011-100-021 AND -127) (REPLACED BY 206-011-100-145, -149, -157, -103 AND -107)	REF	0	C
	206-011-100-145	HUB ASSY, MAIN ROTOR (SEE FIG. 2 FOR NHA) (REPLACES 206-011-100-021, -127 AND -137) (REPLACED BY 206-011-100-149, -157, -103 AND -107)	REF	0	DE
	206-011-100-149	HUB ASSY, MAIN ROTOR (SEE FIG. 2 FOR NHA) (REPLACES 206-011-100-021, -127, -137, -145) (REPLACED BY 206-011-100-157, -103 AND -107)	REF		F
	206-011-100-157	HUB ASSY, MAIN ROTOR (SEE FIG. 2 FOR NHA) (REPLACES 206-011-100-021, -127, -137, -145 AND -149) (REPLACED BY 206-011-100-103 AND -107)	REF	1	1
	206-011-100-103	HUB ASSY, MAIN ROTOR (SEE FIG. 2 FOR NHA) (REPLACES 206-011-100-021, -127, -137, -145, -149 AND -157) (REPLACED BY 206-011-100-107)	REF		2
	206-011-100-107	HUB ASSY, MAIN ROTOR (SEE FIG. 2 FOR NHA) (REPLACES 206-011-100-021, -127, -137, -145, -149, -157 AND -103)	REF		
1	206-010-147-001	.CAP	2	1	
2	AN6227-13	.PACKING, PREFORMED (NOTE 1) (REPLACED BY MS28775-115)	2	0	
2	MS28775-115	.PACKING, PREFORMED (NOTE 1) (REPLACES AN6227-13) (REPLACED BY M83461/1-115)	2	1	
2	M83461/1-115	.PACKING, PREFORMED (NOTE 1) (REPLACES MS28775-115)	2		
3	206-011-119-001	.NUT (USBL ON 206-011-100-021)	2	1	A
4	206-011-119-005	.NUT, SELF-LOCKING (USBL ON 206-011-100-127, -137, -145, -149, -157, -103 AND -107)	2	1	G
5	206-010-154-003	.WASHER (USBL ON 206-011-100-021)	2	1	A
6	206-011-136-001	.WASHER (USBL ON 206-011-100-127, -137, -145, -149, -157, -103 AND -107)	2	1	G
7	206-010-152-003	.BOLT (USBL ON 206-011-100-021)	2	1	A
8	206-011-135-005	.BOLT ASSY (USBL ON 206-011-100-127, -137, -145, -149 AND -157) (REPLACED BY 206-011-135-105)	2	1	G
8	206-011-135-105	.BOLT ASSY (USBL ON 206-011-100-127, -137, -145, -149, -157, -103 AND -107) (REPLACES 206-011-135-005)	2		G
9	206-011-137-001	. . PLUG	1	1	
10	206-010-153-001	.WASHER (USBL ON 206-011-100-021)	2	1	A
11	EB9025-14	.NUT	4	1	
12	206-010-121-005	.LATCH (USBL ON 206-011-100-021)	4	1	
13	206-010-122-003	.SPRING (NOTE 2)	4	1	H

(1) INDEX NUMBER	(2) PART NUMBER	(3) ITEM NAME	(4) UNIT PER ASSY	(5) A V A I L	(6) U O C
		FIGURE: 62-4. Hub assembly, main rotor (S/N 2212 thru SUB) (Cont'd)			
14	206-011-119-001	.NUT	2	1	
15	MS20002-14	.WASHER	2	1	
16	206-011-115-001	.CLOSURE	2	1	
17	206-010-169-003	.BOLT (USBL ON 296-011-100-021) (REPLACED BY 206-011-122-003, 206-011-260-101 AND -103)	2	0	A
17	206-011-122-003	.BOLT (REPLACES 206-010-169-003) (REPLACED BY 206-011-260-101 AND -103)	2		A
17	206-011-260-101	.BOLT (USBL ON 206-011-100-127) (REPLACES 206-010-169-003 AND 206-011-122-003) (REPLACED BY 206-011-260-103)	2	1	B
17	206-011-260-103	.BOLT (USBL ON 206-011-100-127, -137, -145, -149, -157, -103 AND -107) (REPLACES 206-010-169-003, 206-011-122-003 AND 206-011-260-101)	2	1	
18	MS21042L5	.NUT	6	1	
19	AN960-516	.WASHER (REPLACED BY NAS1149F0563P)	12		
19	NAS1149F0563P	.WASHER (REPLACES AN960-516)	12		
20	20-057-5-13	.BOLT	6	1	
21	206-010-102-013	.GRIP ASSY (USBL ON 206-011-100-021) (REPLACED BY 206-010-102-121)	2	6	A
21	206-010-102-121	.GRIP ASSY (USBL ON 206-011-100-021) (REPLACES 206-010-102-013)	2		A
21	206-011-132-009	.GRIP ASSY (USBL ON 206-011-100-127, -137 AND -145) (REPLACED BY 206-011-132-113)	2	0	
21	206-011-132-113	.GRIP ASSY (USBL ON 206-011-100-127, -137, -145, -149, -157, -103 AND -107) (REPLACES 206-011-132-009)	2		
22	MS15001-1	..FITTING	1	1	
23	NAS607-4-6P	..PIN	1	1	
24	206-010-134-001	..PLATE (USBL ON 206-010-102-013 AND -121)	1	1	
25	206-011-134-001	..BUFFER (USBL ON 206-011-132-009 AND -113)	2	1	
26	130-009-1	.RELIEF VALVE	2	1	
27	MS21042L4	.NUT	4	1	
28	AN960-416	.WASHER (REPLACED BY NAS1149F0463P)	8	1	
28	NAS1149F0463P	.WASHER (REPLACES AN960-416)	8		
29	20-057-4-25	.BOLT	4	1	
30	206-011-105-001	.TRUNNION ASSY	2	1	
31	206-011-104-009	.PITCH HORN ASSY	2	1	
32	MS29561-248	.PACKING, PREFORMED (NOTE 1) (REPLACED BY M83248/1-248)	2		
32	M83248/1-248	.PACKING, PREFORMED (NOTE 1) (REPLACES MS29561-248)	2	1	
33	206-010-189-001	.BEARING, ROLLER (USBL ON 206-011-100-021)	4	1	A
33	206-011-118-001	.BEARING, ROLLER (USBL ON 206-011-100-127, -137, -145, -149, -157, -103 AND -107)	4	1	G
34	206-010-118-001	.SPACER (USBL ON 206-011-100-021)	2	1	A
34	206-010-118-003	.SPACER (USBL ON 206-011-100-127, -137, -145, -149, -157, -103 AND -107)	2	1	G

(1) INDEX NUMBER	(2) PART NUMBER	(3) ITEM NAME	(4) UNIT PER ASSY	(5) A V A I L	(6) U O C
		FIGURE: 62-4. Hub assembly, main rotor (S/N 2212 thru SUB) (Cont'd)			
35	206-011-123-001	.SEAL, GRIP (NOTE 1) (USBL ON 206-011-100-021) . . . (REPLACED BY 206-011-123-103)		0	
35	206-011-123-103	.SEAL, GRIP (NOTE 1) (USBL ON 206-011-100-021) . . . (REPLACES 206-011-123-001)	2	1	A
36	080631	.SLEEVE (USBL ON 206-011-100-127, -137, -145, -149, -157, -103 AND -107)	2	1	G
37	206-011-106-001	.SHIELD, HUB (USBL ON 206-011-100-021)	2	1	A
38	529052	.SEAL (NOTE 1) (USBL ON 206-011-100-127, -137, . . . -145, -149, -157, -103 AND -107)	2	1	G
39	206-010-123-003	.PIN (USBL ON 206-011-100-021)	2	1	A
39	206-011-125-001	.PIN ASSY (USBL ON 206-011-100-127)	2	1	K
39	206-011-125-105	.PIN ASSY (USBL ON 206-011-100-137, -145, -149, . . -157, -103 AND -107)	2	1	L
40	206-010-105-005	.STRAP ASSY (NOTE 3) (USBL ON 206-011-100-021) . . . (REPLACED BY 206-011-147-001)	2	0	M
40	206-011-147-001	.STRAP ASSY (NOTE 3) (USBL ON 206-011-100-021) . . . (REPLACES 206-010-105-005) (ALTERNATE PARTS)	2		N
40	206-011-147-005	.STRAP ASSY (NOTE 3) (USBL ON 206-011-100-021) . . .	2	1	A
40	206-011-154-101	.STRAP ASSY (NOTE 3) (USBL ON 206-011-100-021) . . .	2		A
40	206-011-154-105	.STRAP ASSY (NOTE 3) (USBL ON 206-011-100-021) . . .	2	1	A
40	206-011-147-003	.STRAP ASSY (NOTE 3) (USBL ON 206-011-100-127, . . . -137, -145, -149, -157, -103 AND -107) (ALTERNATE PARTS)	2		G
40	206-011-147-007	.STRAP ASSY (NOTE 3) (USBL ON 206-011-100-127, . . . -137, -145, -149, -157, -103 AND -107)	2	1	G
40	206-011-154-103	.STRAP ASSY (NOTE 3) (USBL ON 206-011-100-127, . . . -137, -145, -149, -157, -103 AND -107)	2		G
40	206-011-154-107	.STRAP ASSY (NOTE 3) (USBL ON 206-011-100-127, . . . -137, -145, -149, -157, -103 AND -107)	2	1	G
41	206-011-140-001	.FITTING ASSY (NOTE 3) (USBL ON 206-011-100-021) . .	2	1	A
41	206-011-124-001	.FITTING ASSY (NOTE 3) (USBL ON 206-011-100-127) . . (REPLACED BY 206-011-150-101)	2		K
42	206-011-150-101	.FITTING ASSY (NOTE 3) (USBL ON 206-011-100-127 . . AND -137) (REPLACES 206-011-124-001) (REPLACED BY 206-011-150-105)	2		P
42	206-011-150-105	.FITTING ASSY (NOTE 3) (USBL ON 206-011-100-127, . . -137, -145, -149, -157, -103 AND -107) (REPLACES 206-011-150-101)	2	1	G
43	206-010-113-005	.RING (USBL ON 206-011-100-021)	2	1	A
43	206-011-126-001	.RING (USBL ON 206-011-100-127, -137, -145, -149, -157, -103 AND -107)	2	1	G
44	NAS1306-3H	.BOLT (REPLACED BY NAS6606H3)	4		
44	NAS6606H3	.BOLT (REPLACES NAS1306-3H)	4	1	
45	AN960-616	.WASHER (REPLACED BY NAS1149F0663P)	4	1	
45	NAS1149F0663P	.WASHER (REPLACES AN960-616)	4	1	
46	206-011-121-001	.STOP (USBL ON 206-011-100-021 AND -127) (REPLACED BY 206-011-121-103 AND 206-011-160-101)	2		B

(1) INDEX NUMBER	(2) PART NUMBER	(3) ITEM NAME	(4) UNIT PER ASSY	(5) A V A I L	(6) U O C
		FIGURE: 62-4. Hub assembly, main rotor (S/N 2212 thru SUB) (Cont'd)			
46	206-011-121-103	.STOP (REPLACES 206-011-121-001) (REPLACED BY . . . 206-011-160-101)	2	0	AG
46	206-011-160-101	.STOP, STATIC (REPLACES 206-011-121-001 AND -103)	2	1	
47	206-011-114-001	.STOP	2	1	
48	206-010-156-001	.SHIM	2	1	
49	MS21042L4	.NUT (PRE ASB 206-97-90) (USBL ON 206-011-100-021)	4	1	Q
49	EB048	.NUT (POST ASB 206-97-90)	4	0	R
50	AN960-416	.WASHER (USBL ON 206-011-100-021) (REPLACED BY . . . AN960C416 AND MS9482-10)	4	1	Q
50	AN960C416	.WASHER (REPLACES AN960-416) (REPLACED BY MS9482-10) (REPLACED BY NAS1149C0463R)	4	1	Q
50	NAS1149C0463R	.WASHER (REPLACES AN960-416) (REPLACED BY MS9482-10) (REPLACES AN960C416)	4		Q
51	MS9482-10	.WASHER (PRE ASB 206-97-90) (NOTE 4) (REPLACES . . . AN960-416 AND AN960C416)	8	1	
51A	MS9482-10	.WASHER (POST ASB 206-97-90)	4	1	
52	MS9482-10	.WASHER (NOTE 4)	4	1	
53	20-057-4-13	.BOLT (USBL ON 206-011-100-021)	4	1	S
53	MS21250-04018	.BOLT (PRE ASB 206-97-90) (NOTE 4) (USBL ON 206-011-100-021, -127, -137, -145 AND -149) (REPLACED BY 206-310-005-101)	4	0	T
53	206-310-005-101	.BOLT (POST ASB 206-97-90) (NOTE 4) (REPLACES . . . MS21250-04018)	4	1	U
54	206-011-128-001	.BUSHING (USBL ON 206-011-100-021, -127, -137, . . . -145 AND -149) (REPLACED BY 206-011-128-101)	4		V
54	206-011-128-101	.BUSHING (PRE ASB 206-97-90) (USBL ON 206-011-100-021, -127, -137, -145, -149. -157 AND -103) (REPLACES 206-011-128-001)	4	1	
54	206-011-128-103	.BUSHING (POST ASB 206-97-90)	4		
54A	120-007C21E13	.SHIM (POST ASB 206-97-90)	4		
54B	206-011-754-101	.WASHER (POST ASB 206-97-90)	4		
55	206-011-102-011	.PILLOW BLOCK ASSY (NOTE 3) (USBL ON 206-011-100-021 AND -127) (REPLACED BY 206-011-102-117)	2	0	W
55	206-011-102-117	.PILLOW BLOCK ASSY (PRE ASB 206-97-90) (NOTE 3) . . . (REPLACES 206-011-102-011)	2	1	
55	206-011-102-119	.PILLOW BLOCK ASSY (POST ASB 206-97-90) (NOTE 3) . .	2		
56	206-011-102-005	..PAD (PRE ASB 206-97-90) (MAKE FROM 150-023-1) . .	2	1	
56	150-023-1	..PAD (PRE ASB 206-97-90)	2		
56	206-011-102-121	..PAD (POST ASB 206-97-90) (MAKE FROM 150-044-1) . .	2		
56	150-044-1	..BUFFER (POST ASB 206-97-90)	2	1	
56A	206-011-102-123	..PAD (POST ASB 206-97-90) (MAKE FROM 150-044-1) . .	2		
56A	150-044-1	..BUFFER (POST ASB 206-97-90)	2	1	
57	MS15001-1	..FITTING	1	1	
58	206-011-156-101	..WEAR DISK (USBL ON 206-011-102-117 AND -119) . . .	1	1	
59	206-011-130-003	..RETAINER ASSY	2	0	
60	206-011-129-003	..RETAINER	1	1	

(1) INDEX NUMBER	(2) PART NUMBER	(3) ITEM NAME	(4) UNIT PER ASSY	(5) A V A I L	(6) U O C
		FIGURE: 62-4. Hub assembly, main rotor (S/N 2212 thru SUB) (Cont'd)			
61	MS29561-230	..PACKING, PREFORMED (NOTE 1) (REPLACED BY M83248/1-230)	1		
61	M83248/1-230	..PACKING, PREFORMED (NOTE 1) (REPLACES MS29561-230)	1	1	
62	S30769	..EXCLUDER (NOTE 1)	1	1	
63	568-331-S59	..PACKING, PREFORMED (NOTE 1)	1	1	
64	MS24693S271	.SCREW (NOTE 5) (USBL ON 206-011-100-145, -149, . . -157, -103 AND -107) (REPLACED BY MS24693S271)	2		X
64	MS24693-S271	.SCREW (NOTE 5) (USBL ON 206-011-100-145, -149, . . -157, -103 AND -107) (REPLACES MS24693S271)	2	1	X
65	206-011-113-001	.TRUNNION ASSY (USBL ON 206-011-100-021) (REPLACED BY 206-011-113-103)	1	0	Y
65	206-011-113-103	.TRUNNION ASSY (REPLACES 206-011-113-001)	1	1	
66	206-011-111-001	.BEARING	2	1	
67	206-011-111-003	..RACE	2	1	
68	450351	.SEAL (NOTE 1) (REPLACED BY 543062-55 AND 17283) . .	2		
68	543062-55	.SEAL (NOTE 1) (REPLACES 450351) (REPLACED BY 17283)	2	1	
68	17283	.SEAL (NOTE 1) (REPLACES 450351 AND 543062-55) . . .	2		
69	MS29561-115	.PACKING, PREFORMED (NOTE 1) (REPLACED BY M83248/1-115)	2		
69	M83248/1-115	.PACKING, PREFORMED (NOTE 1) (REPLACES MS29561-115)	2		
70	206-010-110-003	.THRUST WASHER (NOTE 6) (USBL ON 206-011-100-021, -127, -137 AND -145) (REPLACED BY 206-010-110-105)	2		Z
70	206-010-110-105	.THRUST WASHER (NOTE 6) (REPLACES 206-011-110-003)	2	1	
71	206-011-159-101	.DISK (NOTE 6)	2	1	
72	206-010-111-001	.ADJUSTING SCREW (USBL ON 206-011-100-021) (REPLACED BY 206-010-111-105)	2	0	Y
72	206-010-111-105	.ADJUSTING SCREW (REPLACES 206-010-111-001)	2	1	
73	TYIGRACL2 NO 00	.CORK	1	0	
74	206-010-101-021	.YOKE ASSY (USBL ON 206-011-100-021) (REPLACED . . . BY 206-010-101-125 AND -129)	1		H
74	206-010-101-125	.YOKE ASSY (USBL ON 206-011-100-021) (REPLACES . . . 206-010-101-021) (REPLACED BY 206-010-101-129)	1		A
74	206-010-101-129	.YOKE ASSY (USBL ON 206-011-100-021) (REPLACES . . . 206-010-101-021 AND -125)	1	1	A
75	JS1125	..SLEEVE (REPLACED BY 206-010-245-101)	2	0	
75	206-010-245-101	..SLEEVE (REPLACES JS1125)	2	1	
76	206-011-149-101	.YOKE ASSY (USBL ON 206-011-100-127) (REPLACED . . . BY 206-011-149-105)	1	0	B
76	206-011-149-105	.YOKE ASSY (USBL ON 206-011-100-127, -137, 145, . . -149, -157, -103 AND -107) (REPLACES 206-011-149-101)	1	1	
	206-1219-9	SEAL KIT, M/R HUB	1		
		NOTE 1: PART IS CONTAINED IN SEAL KIT P/N 206-1219-9			

(1) INDEX NUMBER	(2) PART NUMBER	(3) ITEM NAME	(4) UNIT PER ASSY	(5) A V A I L	(6) U O C
		<p>FIGURE: 62-4. Hub assembly, main rotor (S/N 2212 thru SUB) (Cont'd)</p> <p>NOTE 2: INACTIVE FOR PROCUREMENT, REPLACEMENT NOT REQUIRED AS USED ON THE 206-011-100-021 HUB ASSY.</p> <p>NOTE 3: DO NOT INTERMIX PART NUMBERS, REPLACE IN PAIRS.</p> <p>NOTE 4: P/N MS21250-04018 BOLT IS REPLACED BY P/N 206-310-005-101 BOLT AND P/N MS9482-10 WASHER AS A UNIT</p> <p>NOTE 5: FOR SHIPPING PURPOSES ONLY</p> <p>NOTE 6: USE 206-010-110-105 AND 206-011-159-101 AS A UNIT WHEN REPLACING 206-010-110-003 THRUST WASHER</p>			

(1) INDEX NUMBER	(2) PART NUMBER	(3) ITEM NAME	(4) UNIT PER ASSY	(5) A V A I L	(6) U O C																																																																																	
		<p align="center">FIGURE: 62-4. Hub assembly, main rotor (S/N 2212 thru SUB) (Cont'd)</p> <p align="center">USABLE ON CODES</p> <table border="0"> <thead> <tr> <th>CODE</th> <th>MODEL</th> <th>SERIAL NUMBER</th> </tr> </thead> <tbody> <tr><td>1</td><td>206B3</td><td>2212-4448</td></tr> <tr><td>2</td><td>206B3</td><td>2212-4449</td></tr> <tr><td>A</td><td>206B3</td><td>2212-3216</td></tr> <tr><td>B</td><td>206B3</td><td>2212-3617</td></tr> <tr><td>C</td><td>206B3</td><td>2212-3665</td></tr> <tr><td>D</td><td>206B3</td><td>2212-4216</td></tr> <tr><td>E</td><td>206B3</td><td>4261-SUB</td></tr> <tr><td>F</td><td>206B3</td><td>4217-4260</td></tr> <tr><td>G</td><td>206B3</td><td>3217-SUB</td></tr> <tr><td>H</td><td>206B3</td><td>2212-2944</td></tr> <tr><td>J</td><td>206B3</td><td>3217-3942</td></tr> <tr><td>K</td><td>206B3</td><td>3217-3617</td></tr> <tr><td>L</td><td>206B3</td><td>3618-SUB</td></tr> <tr><td>M</td><td>206B3</td><td>2212-2223</td></tr> <tr><td>N</td><td>206B3</td><td>2212-2608</td></tr> <tr><td>P</td><td>206B3</td><td>3217-3665</td></tr> <tr><td>Q</td><td>206B3</td><td>2212-2962</td></tr> <tr><td>R</td><td>206B3</td><td>2963-SUB</td></tr> <tr><td>S</td><td>206B3</td><td>2212-2961</td></tr> <tr><td>T</td><td>206B3</td><td>2962-4224</td></tr> <tr><td>U</td><td>206B3</td><td>2962-SUB</td></tr> <tr><td>V</td><td>206B3</td><td>2212-4127</td></tr> <tr><td>W</td><td>206B3</td><td>2212-3390</td></tr> <tr><td>X</td><td>206B3</td><td>3666-SUB</td></tr> <tr><td>Y</td><td>206B3</td><td>2212-2771</td></tr> <tr><td>Z</td><td>206B3</td><td>2212-3811</td></tr> </tbody> </table> <p>1) UNLESS A USABLE ON PART NUMBER IS LISTED IN THE ITEM NAME COLUMN; NO CODE INDICATES THE PART APPLIES TO ALL SERIAL NUMBERS.</p> <p>2) IF THE SERIAL NUMBER IS BLANK THE PART APPLIES TO ALL SERIAL NUMBERS FOR THAT MODEL.</p>	CODE	MODEL	SERIAL NUMBER	1	206B3	2212-4448	2	206B3	2212-4449	A	206B3	2212-3216	B	206B3	2212-3617	C	206B3	2212-3665	D	206B3	2212-4216	E	206B3	4261-SUB	F	206B3	4217-4260	G	206B3	3217-SUB	H	206B3	2212-2944	J	206B3	3217-3942	K	206B3	3217-3617	L	206B3	3618-SUB	M	206B3	2212-2223	N	206B3	2212-2608	P	206B3	3217-3665	Q	206B3	2212-2962	R	206B3	2963-SUB	S	206B3	2212-2961	T	206B3	2962-4224	U	206B3	2962-SUB	V	206B3	2212-4127	W	206B3	2212-3390	X	206B3	3666-SUB	Y	206B3	2212-2771	Z	206B3	2212-3811			
CODE	MODEL	SERIAL NUMBER																																																																																				
1	206B3	2212-4448																																																																																				
2	206B3	2212-4449																																																																																				
A	206B3	2212-3216																																																																																				
B	206B3	2212-3617																																																																																				
C	206B3	2212-3665																																																																																				
D	206B3	2212-4216																																																																																				
E	206B3	4261-SUB																																																																																				
F	206B3	4217-4260																																																																																				
G	206B3	3217-SUB																																																																																				
H	206B3	2212-2944																																																																																				
J	206B3	3217-3942																																																																																				
K	206B3	3217-3617																																																																																				
L	206B3	3618-SUB																																																																																				
M	206B3	2212-2223																																																																																				
N	206B3	2212-2608																																																																																				
P	206B3	3217-3665																																																																																				
Q	206B3	2212-2962																																																																																				
R	206B3	2963-SUB																																																																																				
S	206B3	2212-2961																																																																																				
T	206B3	2962-4224																																																																																				
U	206B3	2962-SUB																																																																																				
V	206B3	2212-4127																																																																																				
W	206B3	2212-3390																																																																																				
X	206B3	3666-SUB																																																																																				
Y	206B3	2212-2771																																																																																				
Z	206B3	2212-3811																																																																																				

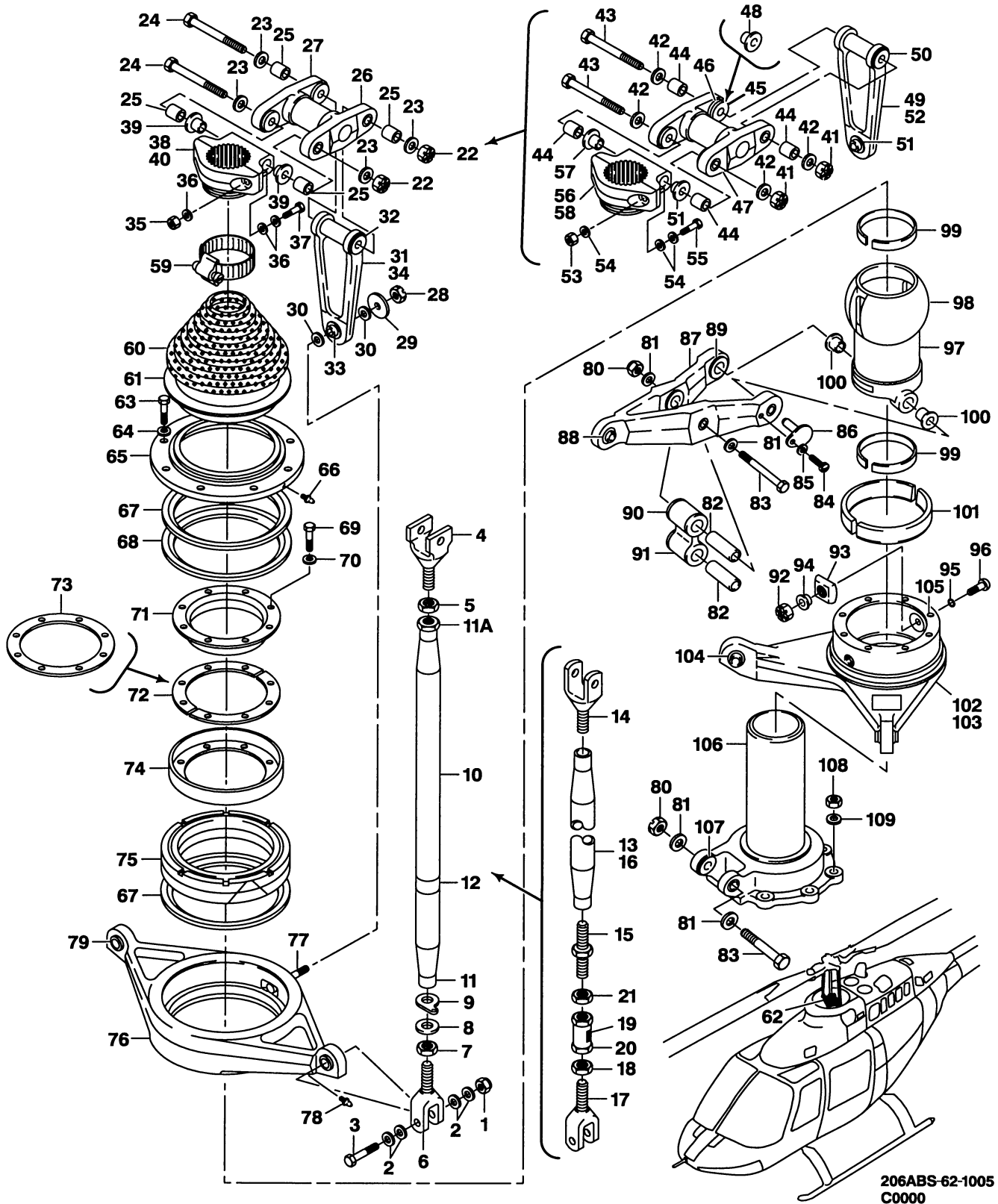


Figure 62-5. Pylon installation

206ABS-62-1005
C0000

(1) INDEX NUMBER	(2) PART NUMBER	(3) ITEM NAME	(4) UNIT PER ASSY	(5) A V A I L	(6) U O C
		FIGURE: 62-5. Pylon installation			
	206-010-350-001	PYLON INSTL	1		
	206-010-350-003	PYLON INSTL	1		
	206-010-350-005	PYLON INSTL	1		
	206-010-350-007	PYLON INSTL	1		
	206-010-350-009	PYLON INSTL	1		
	206-010-350-015	PYLON INSTL	1		
	206-010-350-017	PYLON INSTL	1		
	206-010-350-019	PYLON INSTL	1		
	206-010-350-127	PYLON INSTL	1		
1	MS17825-5	.NUT (REPLACED BY MS14144L5)	2		
1	MS14144L5	.NUT (REPLACES MS17825-5)	2	1	
2	AN960-516L	.WASHER (REPLACED BY NAS1149F0532P)	8	1	
2	NAS1149F0532P	.WASHER (REPLACES AN960-516L)	8		
3	NAS1305-19D	.BOLT (USBL ON 206-010-350-001, -003, -005, -007, -009, -015 AND -017) (REPLACED BY 20-057-5-19D) (REPLACES NAS1305-19D)	2		
3	NAS6605D19	.BOLT (USBL ON 206-010-350-001, -003, -005, -007, -009, -015 AND -017) (REPLACED BY 20-057-5-19D) (REPLACES NAS1305-19D)	2		
3	20-057-5-19D	.BOLT (REPLACES NAS1305-19D AND NAS6605D19)	2	1	
	206-010-330-005	.PITCH LINK ASSY (REPLACED BY 206-010-330-009, -011, 206-010-355-017 AND 206-010-360-001)	2		A
	206-010-330-009	.PITCH LINK ASSY (REPLACES 206-010-330-005) (REPLACED BY 206-020-330-011, 206-010-355-017 AND 206-010-360-001)	2		D
	206-010-330-011	.PITCH LINK ASSY (REPLACES 206-010-330-009 AND -005) (REPLACED BY 206-010-355-017 AND 206-010-360-001)	2	6	E
	206-010-360-001	.PITCH LINK ASSY (REPLACES 206-010-330-005, -009, -011 AND 206-010-355-017)	2	0	E
	206-010-342-003	.PITCH LINK ASSY (REPLACED BY 206-010-355-007 AND 206-010-360-003)	2	6	L
	206-010-360-003	.PITCH LINK ASSY (REPLACES 206-010-342-003 AND 206-010-355-007)	2	1	
4	206-010-331-005	..CLEVIS, UPPER (USBL ON 206-010-330-005)	1		
4	206-010-340-001	..CLEVIS, UPPER (USBL ON 206-010-330-009)	1		
4	206-010-348-001	..CLEVIS, UPPER (USBL ON 206-010-330-011)	1	0	
4	206-010-358-001	..CLEVIS, UPPER (USBL ON 206-010-330-001)	1	1	
4	206-010-354-001	..CLEVIS, UPPER (USBL ON 206-010-360-003)	1	1	
4	206-010-347-001	..CLEVIS, UPPER (USBL ON 206-010-342-003) (REPLACED BY 206-010-343-001)	1	0	
4	206-010-343-001	..CLEVIS, UPPER (USBL ON 206-010-342-003) (REPLACES 206-010-347-001)	1	0	
5	MS35691-705	..NUT (USBL ON 206-010-330-005)	1	0	
5	MS35691-25	..NUT (USBL ON 206-010-330-009, -011 AND 206-010-342-003)	1	1	
5	NAS509-7	..NUT (USBL ON 206-010-360-001 AND -003)	1	1	
6	206-010-331-007	..CLEVIS, LOWER (USBL ON 206-010-330-005)	1	0	

(1) INDEX NUMBER	(2) PART NUMBER	(3) ITEM NAME	(4) UNIT PER ASSY	(5) A V A I L	(6) U O C
FIGURE: 62-5. Pylon installation (Cont'd)					
6	206-010-347-003	..CLEVIS, LOWER (USBL ON 206-010-330-009, -011 . . . AND 206-010-342-003) (REPLACED BY 206-010-340-003)	1	0	
6	206-010-340-003	..CLEVIS, LOWER (USBL ON 206-010-330-009, -011 . . . AND 206-010-342-003) (REPLACES 206-010-347-003)	1	0	
6	206-010-354-005	..CLEVIS, LOWER (USBL ON 206-010-360-001 AND -003)	1	1	
7	NAS509-7	..NUT (USBL ON 206-010-330-005, -009, -011 AND 206-010-342-003)	1	1	
7	MS35691-25	..NUT (USBL ON 206-010-360-001 AND -003) (ALTERNATE PART)	1	1	
7	MS35691-26	..NUT (USBL ON 206-010-360-001 AND -003)	1		
8	NAS1193-7-2	..WASHER (USBL ON 206-010-330-005, -009, -011 AND . . 206-010-342-003)	1	1	
9	NAS1193-7-1	..WASHER (USBL ON 206-010-330-005, -009, -011 AND . . 206-010-342-003)	1	1	
10	206-010-330-007	..TUBE (USBL ON 206-010-330-005, -009, -011 AND . . . 206-010-342-003)	1	0	
10	206-010-361-001	..TUBE ASSY (USBL ON 206-010-360-001 AND -003) . . .	1		
11	206-010-359-003	...INSERT	1	6	
11A	206-010-359-001	...INSERT	1		
12	206-010-344-001	..DECAL (UP-DOWN) (USBL ON 206-010-342-003)	1	1	
12	31-031-1	..DECAL (UP) (USBL ON 206-010-360-001 AND -003) . .	1	1	
	206-010-355-017	..PITCH LINK ASSY (REPLACES 206-010-330-005, -009 . AND -011) (REPLACED BY 206-010-360-001)	2		E
	206-010-355-007	..PITCH LINK ASSY (REPLACES 206-010-342-003) (REPLACED BY 206-010-360-003)	2	0	M
13	206-010-355-019	..TUBE ASSY (USBL ON 206-010-355-017)	1		
13	206-010-355-009	..TUBE ASSY (USBL ON 206-010-355-007)	1	1	
14	206-010-358-001	..CLEVIS (USBL ON 206-010-355-019)	1	1	
14	206-010-354-001	..CLEVIS (USBL ON 206-010-355-009)	1	1	
15	206-010-356-001	...INSERT	1	1	
16	206-010-355-011	..TUBE	1		
17	206-010-354-003	..CLEVIS	1	1	
18	MS35691-29	..NUT	1	1	
19	206-010-344-001	..DECAL (PITCH LINK-UP-DOWN)	1	1	
20	206-010-353-003	..BARREL	1	1	
21	MS35691-33	..NUT	1	1	
22	MS17825-5	..NUT (REPLACED BY MS14144L5)	2		S
22	MS14144L5	..NUT (REPLACES MS17825-5)	2	1	S
23	AN960-516	..WASHER (REPLACED BY NAS1149F0563P)	4		S
23	NAS1149F0563P	..WASHER (REPLACES AN960-516)	4		S
24	NAS1305-64D	..BOLT (REPLACED BY NAS6605D64 AND 20-057-5-64D) . .	2		S
24	NAS6605D64	..BOLT (REPLACES NAS1305-64D) (REPLACED BY 20-057-5-64D)	2		S
24	20-057-5-64D	..BOLT (REPLACES NAS1305-64D AND NAS6605D64)	2	1	S
25	206-010-338-001	..SPACER (USBL ON 206-010-350-001, -003, -005, -007, -009, -015, -017 AND -019) (REPLACED BY 206-010-802-101)	4	1	S

(1) INDEX NUMBER	(2) PART NUMBER	(3) ITEM NAME	(4) UNIT PER ASSY	(5) A V A I L	(6) U O C
		FIGURE: 62-5. Pylon installation (Cont'd)			
25	206-010-802-101	.BUSHING (REPLACES 206-010-338-001)	4		S
26	206-010-335-001	.LEVER ASSY (USBL ON 206-010-350-001, -003, -005, -007, -009, -015, -017 AND -019) (REPLACED BY 206-010-335-105)	1	1	S
26	206-010-335-105	.LEVER ASSY (REPLACES 206-010-335-001)	1		S
27	206-010-337-001	.BUSHING	4	1	
28	MS17825-5	.NUT (REPLACES BY MS14144L5)	1		S
28	MS14144L5	.NUT (REPLACES MS17825-5)	1	1	S
29	AN970-5	.WASHER	1	1	S
30	AN960-516	.WASHER (REPLACED BY NAS1149F0563P)	2		S
30	NAS1149F0563P	.WASHER (REPLACES AN960-516)	2		S
31	206-010-336-001	.LINK ASSY, IDLER (USBL ON 206-010-350-001, -003 . . AND -005) (REPLACED BY 206-010-336-005 AND -109)	1	0	C
31	206-010-336-005	.LINK ASSY, IDLER (USBL ON 206-010-350-007, -009, -015, -017 AND -019) (REPLACES 206-010-336-001) (REPLACED BY 206-010-336-109)	1	1	S
31	206-010-336-109	.LINK ASSY, IDLER (REPLACES 206-010-336-001 AND . . -005)	1		S
32	206-010-338-003	.BUSHING (USBL ON 206-010-336-001 AND -005) (REPLACED BY 206-010-803-101)	2	1	
32	206-010-803-101	.BUSHING (REPLACES 206-010-338-003)	2		
33	206-010-469-001	.BEARING (USBL ON 206-010-336-001 AND -005) (REPLACED BY 206-010-470-101)	1	0	
33	206-010-470-101	.BEARING (REPLACES 206-010-469-001)	1	1	
34	206-010-336-003	.LINK (USBL ON 206-010-336-001)	1		
34	206-010-336-007	.LINK (USBL ON 206-010-336-005 AND -109)	1	6	
35	NAS679A4	.NUT (REPLACES BY MS21042L4)	2	0	S
35	MS21042L4	.NUT (REPLACES NAS679A4)	2	1	S
36	AN960-416	.WASHER (REPLACED BY NAS1149F0463P)	6	1	S
36	NAS1149F0463P	.WASHER (REPLACES AN960-416)	6		S
37	NAS1304-9	.BOLT (REPLACES BY 20-057-4-9)	2	0	S
37	20-057-4-9	.BOLT (REPLACES NAS1304-9)	2	1	S
38	206-010-333-001	.COLLAR SET (REPLACED BY 206-010-333-007, 206-011-005-001, -105 AND -109)	1	0	B
38	206-010-333-007	.COLLAR SET (REPLACES 206-010-333-001) (REPLACED BY 206-011-005-001, -105 AND -109)	1		D
38	206-011-005-001	.COLLAR SET (REPLACES 206-010-333-001 AND -007) (REPLACED BY 206-011-005-105 AND -109)	1		N
38	206-011-005-105	.COLLAR SET (REPLACES 206-010-333-001, -007 AND . . 206-011-005-001) (REPLACED BY 206-011-005-109)	1	1	S
38	206-011-005-109	.COLLAR SET (REPLACES 206-010-333-001, -007 AND . . 206-011-005-001 AND -105)	1		S
39	206-010-338-003	.BUSHING (USBL ON 206-010-333-001, -007 AND 206-011-005-001, -105) (REPLACED BY 206-010-803-101)	2	1	S
39	206-010-803-101	.BUSHING (REPLACES 206-010-338-003)	2		
40	206-010-333-003	.COLLAR SET (USBL ON 206-010-333-001) (REPLACED . . BY 206-010-333-005 AND 206-011-005, -003, -107)	1		

(1) INDEX NUMBER	(2) PART NUMBER	(3) ITEM NAME	(4) UNIT PER ASSY	(5) A V A I L	(6) U O C
		FIGURE: 62-5. Pylon installation (Cont'd)			
40	206-010-333-005	..COLLAR SET (USBL ON 206-010-333-001 AND -007) . . . (REPLACED BY 206-011-005-001, -105 AND -109)	1		
40	206-011-005-003	..COLLAR SET (USBL ON 206-010-333-001, -007 AND . . . 206-011-005-001) (REPLACES 206-010-333-003 AND -005) (REPLACED BY 206-011-005-107)	1		
40	206-011-005-107	..COLLAR SET (REPLACES 206-010-333-003, -005 AND . . . 206-011-005-003)	1		
	206-010-800-103	.DRIVE ASSY (REPLACED BY 206-010-800-101)	1		W
	206-010-800-101	.DRIVE ASSY (REPLACES 206-010-800-103)	1		
41	MS14144L5	..NUT	2	1	
42	NAS1149F0563P	..WASHER	4		
43	20-057-5-64D	..BOLT	2	1	
44	206-010-802-101	..BUSHING	4		
45	206-010-337-001	..BUSHING (USBL ON 206-010-800-103)	4	1	
45	206-010-801-101	..BUSHING (USBL ON 206-010-800-101)	4		
46	120-004C32E25	..SHIM	2		
47	206-010-335-105	..LEVER ASSY	1		
48	206-010-337-001	..BUSHING	4	1	
49	206-010-336-109	..LINK ASSY	1		
50	206-010-803-101	..BUSHING	2		
51	206-010-470-101	..BEARING	1	1	
52	206-010-336-007	..LINK	1	6	
53	MS21042L4	..NUT	2	1	
54	NAS1149F0463P	..WASHER	6		
55	20-057-4-9	..BOLT	2	1	
56	206-011-005-109	..COLLAR SET	1		
57	206-010-803-101	..BUSHING	2		
58	206-011-005-107	..COLLAR SET	1		
59	AN737TW91	.CLAMP (REPLACED BY AN737TW82)	1	1	N
59	AN737TW82	.CLAMP (USE WITH 206-010-442-103) (REPLACES AN737TW91)	1	1	
60	206-010-462-001	.BOOT	1	0	B
60	206-010-439-001	.BOOT (REPLACED BY 206-010-442-001 AND -103)	1		F
60	206-010-442-001	.BOOT (REPLACES 206-010-439-001) (REPLACED BY 206-010-442-103)	1	6	N
60	206-010-442-103	.BOOT (REPLACES 206-010-442-001 AND 206-010-439-001)	1	1	
61	206-010-351-001	.RING	1	1	H
62	206-010-450-001	.SWASHPLATE AND SUPPORT ASSY (REPLACED BY 206-010-450-005, -007, -009, -011, -113 AND -125)	1		D
62	206-010-450-005	.SWASHPLATE AND SUPPORT ASSY (REPLACES 206-010-450-001) (REPLACED BY 206-010-450-007, -011 AND -113)	1	0	G
		(ALTERNATE PART)			
62	206-010-450-009	.SWASHPLATE AND SUPPORT ASSY	1		G
62	206-010-450-007	.SWASHPLATE AND SUPPORT ASSY (REPLACES 206-010-450-001, -005 AND -009) (REPLACED BY 206-010-450-011, -113 AND -125)	1	0	J

(1) INDEX NUMBER	(2) PART NUMBER	(3) ITEM NAME	(4) UNIT PER ASSY	(5) A V A I L	(6) U O C
		FIGURE: 62-5. Pylon installation (Cont'd)			
62	206-010-450-011	.SWASHPLATE AND SUPPORT ASSY (REPLACES 206-010-450-001, -005, -007 AND -009) (REPLACED BY 206-010-450-113 AND -125)	1	0	N
62	206-010-450-113	.SWASHPLATE AND SUPPORT ASSY (REPLACES 206-010-450-001, -005, -007, -009 AND -011) (REPLACED BY 206-010-450-125)	1	1	Q
62	206-010-450-125	.SWASHPLATE AND SUPPORT ASSY (REPLACES 206-010-450-001, -005, -007, -009, -011 AND -113)	1	1	
63	NAS1304-3H	..BOLT (REPLACED BY NAS6604H3)	8	0	
63	NAS6604H3	..BOLT (REPLACES NAS1304-3H)	8	1	
64	MS20002C4	..WASHER	8	1	
65	206-010-456-001	..CAP, OUTER (REPLACED BY 206-010-444-001)	1	0	
65	206-010-444-001	..CAP ASSY, OUTER (REPLACES 206-010-456-001)	1	1	
66	NAS516-1A	..FITTING (USBL ON 206-010-444-001)	1	1	
67	206-010-460-001	..SEAL (REPLACED BY 206-310-400-101)	2	1	
67	206-310-400-101	..SEAL (REPLACES 206-010-460-001)	2		
68	206-010-460-001	..SEAL (USBL ON 206-010-450-001, -005 AND -009)	1	1	
69	20-057-4-6H	..BOLT	8	1	
70	MS20002C4	..WASHER	8	1	
71	206-010-457-001	..BEARING (REPLACED BY 206-010-440-001)	1		
71	206-010-440-001	..BEARING SET (REPLACES 206-010-457-001)	1	1	
72	206-010-463-001	..SHIM (REPLACED BY 206-010-463-003 AND -005)	12		
72	206-010-463-003	..SHIM (REPLACES 206-010-463-001) (REPLACED BY 206-010-463-005)	12	0	
73	206-010-463-005	..SHIM (REPLACES 206-010-463-001 AND -003)	6	1	
74	206-010-455-001	..CAP, INNER (REPLACED BY 206-010-455-103)	1	0	
74	206-010-455-103	..CAP, INNER (REPLACES 206-010-455-001)	1	1	
75	206-010-420-001	..BEARING (REPLACED BY 206-010-443-001)	1		D
75	206-010-420-003	..BEARING (REPLACED BY 206-010-443-001)	1		K
75	206-010-443-001	..BEARING (REPLACES 206-010-420-001 AND -003)	1	1	
76	206-010-453-001	..RING ASSY, OUTER (USBL ON 206-010-450-001)	1		
76	206-010-453-005	..RING ASSY, OUTER (USBL ON 206-010-450-005 AND -009) (REPLACED BY 206-010-450-009 AND -113)	1	1	
76	206-010-453-009	..RING ASSY, OUTER (USBL ON 206-010-450-005, -007, -009, -011 AND -113) (REPLACES 206-010-453-005) (REPLACED BY 206-010-453-113)	1	1	
76	206-010-453-113	..RING ASSY, OUTER (USBL ON 206-010-450-005, -007, -009, -011, -113 AND -125) (REPLACES 206-010-453-005 AND -009)	1		
77	206-010-458-001	...STUD	1	1	
78	NAS516-1A	...FITTING (USBL ON 206-010-453-001 AND -005)	1	1	
79	206-010-469-001	...BEARING (USBL ON 206-010-453-001, -005 AND -009) (REPLACED BY 206-010-470-101)	2	0	
79	206-010-470-101	...BEARING (REPLACES 206-010-469-001)	2	1	
80	MS17825-6	..NUT (REPLACED BY MS14144L6)	2	0	
80	MS14144L6	..NUT (REPLACES MS17825-6)	2	1	
81	AN960PD616	..WASHER (REPLACED BY AN960JD616)	4		

(1) INDEX NUMBER	(2) PART NUMBER	(3) ITEM NAME	(4) UNIT PER ASSY	(5) A V A I L	(6) U O C
		FIGURE: 62-5. Pylon installation (Cont'd)			
81	AN960JD616	..WASHER (REPLACES AN960PD616) (REPLACED BY NAS1149D0663J)	4		
81	NAS1149D0663J	..WASHER (REPLACES AN960JD616)	4		
82	206-010-311-003	..SPACER	2	1	
83	NAS1306-48D	..BOLT (REPLACED BY 20-057-6-48D) (REPLACED BY . . . NAS6606D48)	2		
83	NAS6606D48	..BOLT (REPLACED BY 20-057-6-48D) (REPLACES NAS1306-48D)	2		
83	20-057-6-48D	..BOLT (REPLACES NAS1306-48D AND NAS6606-48D) . . .	2	1	
84	AN502-10-8	..SCREW	2	1	
85	AN960PD10	..WASHER (REPLACED BY AN960JD10)	2		
85	AN960JD10	..WASHER (REPLACES AN960PD10) (REPLACED BY NAS1149D0363J)	2		
85	NAS1149D0363J	..WASHER (REPLACES AN960JD10)	2		
86	206-010-408-001	..PIN, PIVOT	2	1	
87	206-010-467-001	..LEVER ASSY	1	1	
88	206-010-469-001	..BEARING (REPLACED BY 206-010-470-101)	1	0	
88	206-010-470-101	..BEARING (REPLACES 206-010-469-001)	1	1	
89	206-010-425-003	..BUSHING	4	1	
90	206-010-407-001	..LINK ASSY	1	1	
91	206-010-421-003	..BUSHING	4	1	
92	MS17826-5	..NUT (REPLACED BY MS14145L5)	2	0	
92	MS14145L5	..NUT (REPLACES MS17826-5)	2	1	
93	206-010-461-001	..BEARING (NOTE 2)	2		D
93	206-010-441-001	..BEARING	2	1	T
94	206-010-425-021	..BUSHING (NOTE 2)	2	0	D
95	MS29561-010	..PACKING, PREFORMED (REPLACED BY M83248/1-010) . .	2		
95	M83248/1-010	..PACKING, PREFORMED (REPLACES MS29561-010)	2	1	
96	206-010-464-001	..BOLT	2	1	
97	206-010-454-001	..SLEEVE ASSY (REPLACED BY 206-010-454-005 AND . . . -109)	1		J
97	206-010-454-005	..SLEEVE ASSY (REPLACES 206-010-454-001) (REPLACED BY 206-010-454-109)	1	0	N
97	206-010-454-109	..SLEEVE ASSY (REPLACES 206-010-454-001 AND -005)	1	1	
98	206-010-454-003	..SLEEVE (USBL ON 206-010-454-001)	1	6	
98	206-010-454-007	..SLEEVE (USBL ON 206-010-454-005)	1	0	
98	206-010-454-111	..SLEEVE (USBL ON 206-010-454-109)	1	0	
99	206-010-459-001	..BEARING	2	1	
100	206-010-421-011	..BUSHING	2	1	
101	206-010-424-001	..BEARING (REPLACED BY 206-010-440-001)	1		D
101	206-010-440-001	..BEARING SET (NOTE 1) (REPLACES 206-010-424-001)	1	1	
102	206-010-451-001	..RING ASSY, INNER (REPLACED BY 206-010-451-005) .	1		D
102	206-010-451-005	..RING ASSY, INNER (REPLACES 206-010-451-001) . . . (REPLACED BY 206-010-451-109)	1	1	Q
102	206-010-451-109	..RING ASSY, INNER	1		
103	206-010-451-003	..RING, INNER (USBL ON 206-010-451-001)	1		
103	206-010-451-007	..RING, INNER (USBL ON 206-010-451-005)	1		
103	206-010-451-111	..RING, INNER (USBL ON 206-010-451-109)	1		

GENUINE BELL PARTS ARE YOUR BEST VALUE

(1) INDEX NUMBER	(2) PART NUMBER	(3) ITEM NAME	(4) UNIT PER ASSY	(5) A V A I L	(6) U O C
FIGURE: 62-5. Pylon installation (Cont'd)					
104	206-010-469-001	...BEARING (REPLACED BY 206-010-470-101)	2	0	
104	206-010-470-101	...BEARING (REPLACES 206-010-469-001)	2	1	
105	MS124736	...INSERT (USBL ON 206-010-451-005 AND -109)	8	1	
106	206-010-452-001	..SUPPORT ASSY (REPLACED BY 206-010-452-005 AND ..	1	0	J
106	206-010-452-005	..SUPPORT ASSY (REPLACES 206-010-452-001)	1	0	N
106	206-010-452-109	..SUPPORT ASSY (REPLACES 206-010-452-001 AND	1		P
106	206-010-452-113	..SUPPORT ASSY (REPLACES 206-010-452-109)	1	1	
107	206-010-425-003	...BUSHING	2	1	
108	MS21042L5	.NUT	8	1	
109	AN960-516	.WASHER (REPLACED BY NAS1149F0563P)	8		
109	NAS1149F0563P	.WASHER (REPLACES AN960-516)	8		
<p>NOTE 1: 206-010-440-001 BEARING MUST BE USED AS A MATCHING SET WITH EACH PART HAVING THE SAME SERIAL NUMBER.</p>					
<p>NOTE 2: USE 206-010-461-001 BEARING AND 206-010-425-021 BUSHING AS A UNIT</p>					

(1) INDEX NUMBER	(2) PART NUMBER	(3) ITEM NAME	(4) UNIT PER ASSY	(5) A V A I L	(6) U O C																																																																		
		<p>FIGURE: 62-5. Pylon installation (Cont'd)</p> <p style="text-align: center;">USABLE ON CODES</p> <table border="0" style="width: 100%;"> <thead> <tr> <th style="text-align: left;">CODE</th> <th style="text-align: left;">MODEL</th> <th style="text-align: left;">SERIAL NUMBER</th> </tr> </thead> <tbody> <tr><td>A</td><td>206A</td><td>4-53</td></tr> <tr><td>B</td><td>206A</td><td>4-103</td></tr> <tr><td>C</td><td>206A</td><td>4-153</td></tr> <tr><td>D</td><td>206A</td><td>4-413</td></tr> <tr><td>E</td><td>206A</td><td>4-660</td></tr> <tr><td>F</td><td>206A</td><td>104-413</td></tr> <tr><td>G</td><td>206A/B</td><td>4-1335</td></tr> <tr><td>H</td><td>206A/B</td><td>4-1381</td></tr> <tr><td>J</td><td>206A/B</td><td>4-1937</td></tr> <tr><td>K</td><td>206A/B</td><td>414-1335</td></tr> <tr><td>L</td><td>206A/B</td><td>661-1413</td></tr> <tr><td>M</td><td>206B/B3</td><td>661-2446</td></tr> <tr><td>N</td><td>206A/B/B3</td><td>4-3041</td></tr> <tr><td>P</td><td>206A/B/B3</td><td>4-3566</td></tr> <tr><td>Q</td><td>206A/B/B3</td><td>4-4286</td></tr> <tr><td>R</td><td>206A/B/B3</td><td>4-4523</td></tr> <tr><td>S</td><td>206A/B/B3</td><td>4-4449</td></tr> <tr><td>T</td><td>206A/B/B3</td><td>104-SUB</td></tr> <tr><td>U</td><td>206A/B/B3</td><td>414-SUB</td></tr> <tr><td>V</td><td>206A/B/B3</td><td>584-SUB</td></tr> <tr><td>W</td><td>206B3</td><td>4450-4523</td></tr> </tbody> </table> <p>1) UNLESS A USABLE ON PART NUMBER IS LISTED IN THE ITEM NAME COLUMN; NO CODE INDICATES THE PART APPLIES TO ALL SERIAL NUMBERS.</p> <p>2) IF THE SERIAL NUMBER IS BLANK THE PART APPLIES TO ALL SERIAL NUMBERS FOR THAT MODEL.</p>	CODE	MODEL	SERIAL NUMBER	A	206A	4-53	B	206A	4-103	C	206A	4-153	D	206A	4-413	E	206A	4-660	F	206A	104-413	G	206A/B	4-1335	H	206A/B	4-1381	J	206A/B	4-1937	K	206A/B	414-1335	L	206A/B	661-1413	M	206B/B3	661-2446	N	206A/B/B3	4-3041	P	206A/B/B3	4-3566	Q	206A/B/B3	4-4286	R	206A/B/B3	4-4523	S	206A/B/B3	4-4449	T	206A/B/B3	104-SUB	U	206A/B/B3	414-SUB	V	206A/B/B3	584-SUB	W	206B3	4450-4523			
CODE	MODEL	SERIAL NUMBER																																																																					
A	206A	4-53																																																																					
B	206A	4-103																																																																					
C	206A	4-153																																																																					
D	206A	4-413																																																																					
E	206A	4-660																																																																					
F	206A	104-413																																																																					
G	206A/B	4-1335																																																																					
H	206A/B	4-1381																																																																					
J	206A/B	4-1937																																																																					
K	206A/B	414-1335																																																																					
L	206A/B	661-1413																																																																					
M	206B/B3	661-2446																																																																					
N	206A/B/B3	4-3041																																																																					
P	206A/B/B3	4-3566																																																																					
Q	206A/B/B3	4-4286																																																																					
R	206A/B/B3	4-4523																																																																					
S	206A/B/B3	4-4449																																																																					
T	206A/B/B3	104-SUB																																																																					
U	206A/B/B3	414-SUB																																																																					
V	206A/B/B3	584-SUB																																																																					
W	206B3	4450-4523																																																																					