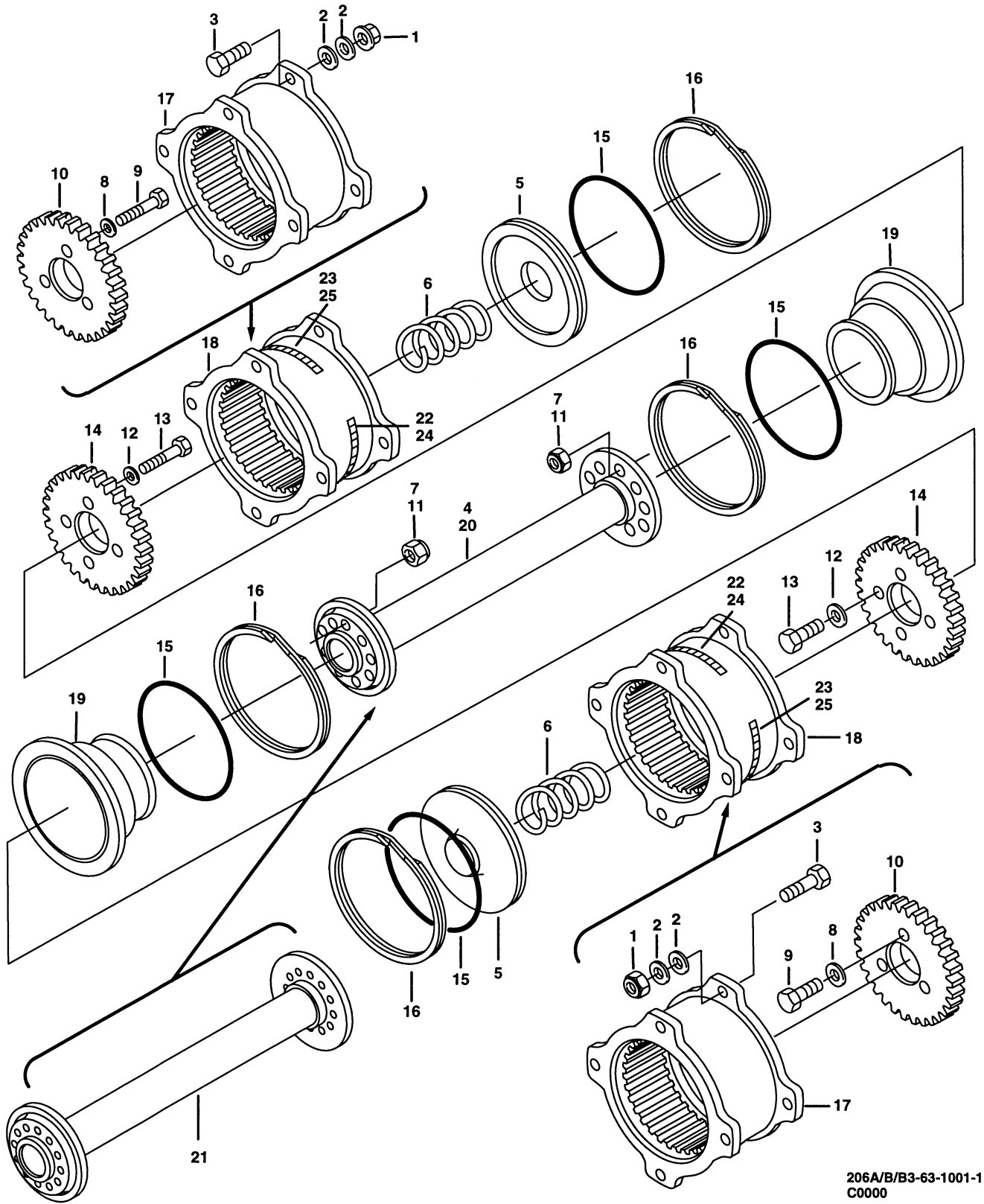


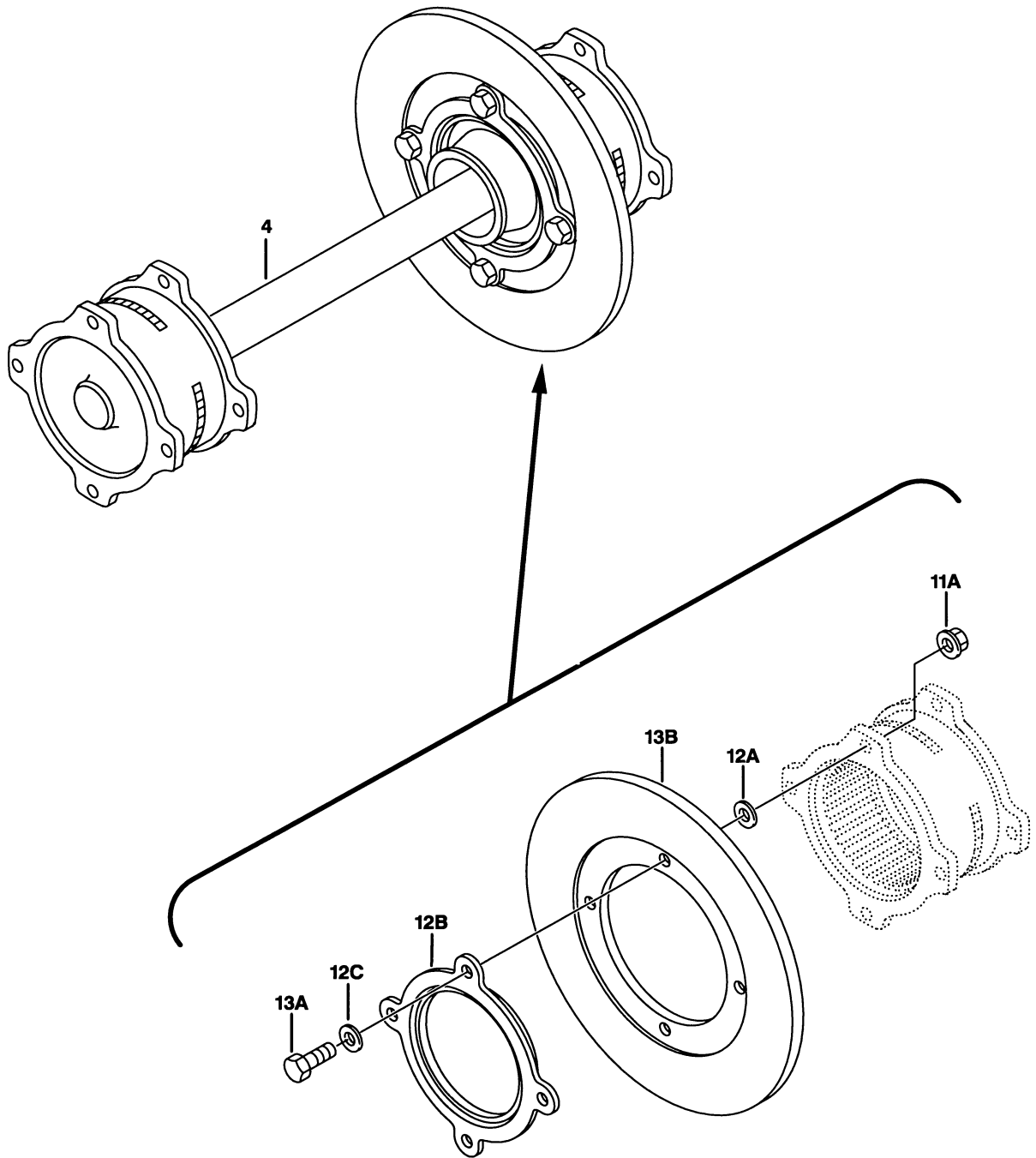
CONTENTS - IPB

Figure Number	Figure Title	Chapter/Section Number	Page Number
63-1	Driveshaft installation, transmission	63-99-00	2
63-2	Transmission installation	63-99-00	6
63-3	Transmission assembly (S/N 4 thru 1251)	63-99-00	12
63-4	Transmission assembly (S/N 4 thru 4286)	63-99-00	18
63-5	Transmission assembly	63-99-00	26
63-6	Case and valve assembly, main transmission	63-99-00	36
63-7	Pump assembly, oil	63-99-00	40
63-8	Pylon support; transmission support and mount isolation installation	63-99-00	42
63-9	Freewheeling installation (S/N 4 thru 1413)	63-99-00	46
63-10	Freewheeling installation (S/N 1414 thru SUB)	63-99-00	52
63-11	Duct installation, transmission	63-99-00	56



206A/B/B3-63-1001-1
C0000

Figure 63-1. Driveshaft installation, transmission (Sheet 1 of 2)



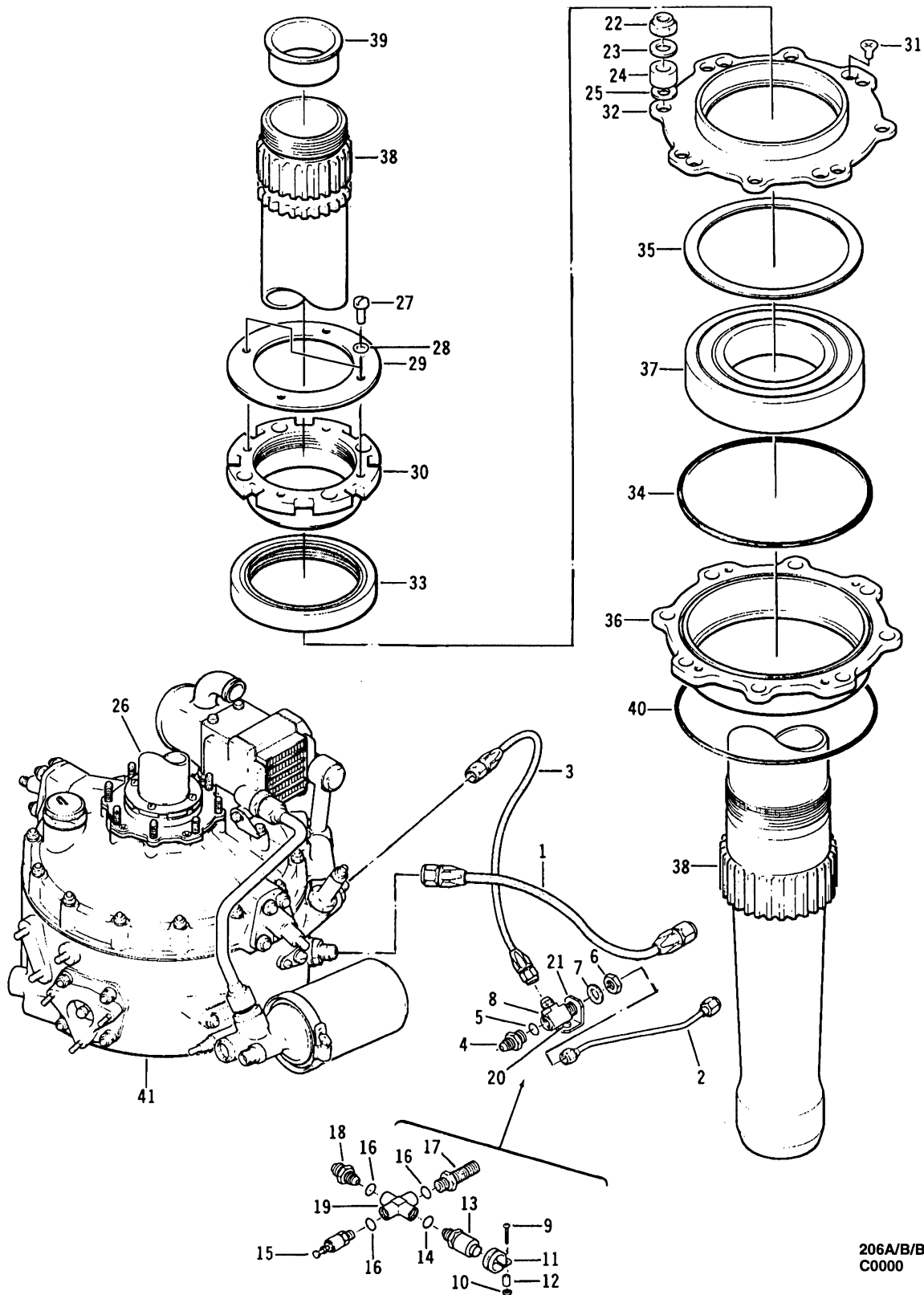
206A/B/B3-63-1001-2
C0000

Figure 63-1. Driveshaft installation, transmission (Sheet 2)

(1) INDEX NUMBER	(2) PART NUMBER	(3) ITEM NAME	(4) UNIT PER ASSY	(5) A V A I L	(6) U O C
		FIGURE: 63-1. Driveshaft installation, transmission			
	206-040-100-011	DRIVESHAFT INSTL, TRANSMISSION	1		
	206-040-015-101	DRIVESHAFT INSTL, TRANSMISSION	1		
	206-040-015-105	DRIVESHAFT INSTL, TRANSMISSION	1		
1	MS21042L4	.NUT	8	1	
2	AN960-416	.WASHER (REPLACED BY NAS1149F0463P)	16	1	
2	NAS1149F0463P	.WASHER (REPLACES AN960-416)	16		
3	AN4-6A	.BOLT	8	1	
4	206-040-100-013	.DRIVESHAFT ASSY (PRE T.B. 206-80-46) (REPLACED . . BY 206-040-100-101)	1	0	A
4	206-040-100-101	.DRIVESHAFT ASSY (PRE T.B. 206-80-46) (REPLACES . . 206-040-100-013)	1	0	A
4	206-040-015-103	.DRIVESHAFT ASSY (POST T.B. 206-80-46)	1		E
4	206-040-015-107	.DRIVESHAFT ASSY	1		F
5	206-040-102-003	..PLATE (REPLACED BY 206-040-102-101 AND -103) . . .	2	0	
5	206-040-102-101	..PLATE (REPLACES 206-040-102-003) (REPLACED BY . . 206-040-102-103)	2	1	
5	206-040-102-103	..PLATE (REPLACES 206-040-102-003 AND -101)	2	1	
6	206-040-106-001	..SPRING	2	1	
7	MS21043-4	..NUT (USBL ON 206-040-100-013 AND -101)	6	1	
8	AN960-416L	..WASHER (USBL ON 206-040-100-013 AND -101) (REPLACED BY NAS1149F0432P)	6	1	
8	NAS1149F0432P	..WASHER (USBL ON 206-040-100-013 AND -101) (REPLACES AN960-416L)	6		
9	NAS1304-10	..BOLT (USBL ON 206-040-100-013 AND -101) (REPLACED BY NAS6604-10)	6	0	
9	NAS6604-10	..BOLT (USBL ON 206-040-100-013 AND -101) (REPLACES NAS1304-10)	6	1	
10	206-040-117-001	..COUPLING, SPHERICAL (USBL ON 206-040-100-013 . . . AND -101)	2	0	
11	MS21043-4	..NUT (USBL ON 206-040-015-103 AND -107)	8	1	
11A	MS21043-4	..NUT (USBL ON 206-040-015-107)	4	1	
12	AN960-416L	..WASHER (USBL ON 206-040-015-103 AND -107) (REPLACED BY NAS1149F0432P)	8	1	
12	NAS1149F0432P	..WASHER (USBL ON 206-040-015-103 AND -107) (REPLACES AN960-416L)	8		
12A	AN960-416L	..WASHER (USBL ON 206-040-015-107) (REPLACED BY . . NAS1149F0432P)	4	1	
12A	NAS1149F0432P	..WASHER (USBL ON 206-040-015-107) (REPLACES AN960-416L)	4		
12B	206-706-114-001	..RING (USBL ON 206-040-015-107)	1	1	
12C	AN960C416	..WASHER (USBL ON 206-040-015-107) (REPLACED BY . . NAS1149C0463R)	4	1	
12C	NAS1149C0463R	..WASHER (USBL ON 206-040-015-107) (REPLACES AN960C416)	4		
13	NAS1304-10	..BOLT (USBL ON 206-040-015-103 AND -107) (REPLACED BY NAS6604-10)	8	0	
13	NAS6604-10	..BOLT (USBL ON 206-040-015-103 AND -107) (REPLACES NAS1304-10)	8	1	
13A	AN4C7A	..BOLT (USBL ON 206-040-015-107)	4	1	
13B	9440904	..DISK (USBL ON 206-040-015-107)	1	1	

(1) INDEX NUMBER	(2) PART NUMBER	(3) ITEM NAME	(4) UNIT PER ASSY	(5) A V A I L	(6) U O C
		FIGURE: 63-1. Driveshaft installation, transmission (Cont'd)			
14	206-040-117-003	..COUPLING, SPHERICAL (USBL ON 206-040-015-103 . . . AND -107)	2	1	
15	235-10V75-255E	..PACKING, PREFORMED (USBL ON 206-040-100-013 . . . AND -101) (REPLACED BY MS28775-235)	4	0	
15	MS28775-235	..PACKING, PREFORMED (USBL ON 206-040-100-013 . . . AND -101) (REPLACES 235-10V75-255E) (REPLACED BY M83461/1-235)	4		
15	M83461/1-235	..PACKING, PREFORMED (USBL ON 206-040-100-013 . . . AND -101) (REPLACES MS28775-235)	4		
15	NAS1593-235	..PACKING, PREFORMED (USBL ON 206-040-015-103 . . . AND -107) (REPLACED BY M83248/1-235)	4	0	
15	M83248/1-235	..PACKING, PREFORMED (USBL ON 206-040-015-103 . . . AND -107) (REPLACES NAS1593-235)	4	1	
16	RR343	..RETAINER (REPLACED BY RR343C AND M27426-3181D) .	4		
16	RR343C	..RETAINER (REPLACES RR343) (REPLACED BY M27426-3181B)	4		
16	M27426-3181B	..RING (REPLACES RR343 AND RR343C)	4	1	
17	206-040-108-005	..COUPLING (USBL ON 206-040-100-013 AND -101)	2	0	
18	206-040-118-001	..COUPLING (USBL ON 206-040-015-103 AND -107)	2	1	
19	206-040-111-001	..SEAL ASSY (USBL ON 206-040-100-013) (REPLACED . . BY 206-040-138-001 AND 206-040-272-101)	2		A
19	206-040-111-007	..SEAL ASSY (REPLACED BY 206-040-138-001 AND 206-040-272-101)	2		B
19	206-040-138-001	..SEAL ASSY (REPLACES 206-040-111-001 AND -007) . . (REPLACED BY 206-040-272-101)	2	0	
19	206-040-272-101	..SEAL ASSY (REPLACES 206-040-111-001, -007 AND . . 206-040-138-001)	2	1	
20	206-040-110-003	..SHAFT (USBL ON 206-040-100-013 AND -101)	1	6	
21	206-040-110-101	..SHAFT (USBL ON 206-040-015-103 AND -107)	1	1	
22	6000-1	TEMP-PLATE (POST ASB 206-93-76)	4	1	C
23	6000-2	TEMP-PLATE (POST ASB 206-93-76)	4	1	C
	206-705-404-101	INDICATOR KIT	1		D
24	6000-1	.TEMP-PLATE	4	1	
25	6000-2	.TEMP-PLATE	4	1	

(1) INDEX NUMBER	(2) PART NUMBER	(3) ITEM NAME	(4) UNIT PER ASSY	(5) A V A I L	(6) U O C																					
		<p>FIGURE: 63-1. Driveshaft installation, transmission (Cont'd)</p> <p style="text-align: center;">USABLE ON CODES</p> <table border="0" style="margin-left: auto; margin-right: auto;"> <thead> <tr> <th style="text-align: left;">CODE</th> <th style="text-align: left;">MODEL</th> <th style="text-align: left;">SERIAL NUMBER</th> </tr> </thead> <tbody> <tr> <td>A</td> <td>206A/B/BIII</td> <td>4-3216</td> </tr> <tr> <td>B</td> <td>206A/B/BIII</td> <td>204-SUB</td> </tr> <tr> <td>C</td> <td>206B/BIII</td> <td>661-671, 716-4312</td> </tr> <tr> <td>D</td> <td>206BIII</td> <td>4313-SUB</td> </tr> <tr> <td>E</td> <td>206BIII</td> <td>3217-4523</td> </tr> <tr> <td>F</td> <td>206BIII</td> <td>4524-SUB</td> </tr> </tbody> </table> <p>1) UNLESS A USABLE ON PART NUMBER IS LISTED IN THE ITEM NAME COLUMN; NO CODE INDICATES THE PART APPLIES TO ALL SERIAL NUMBERS.</p> <p>2) IF THE SERIAL NUMBER IS BLANK THE PART APPLIES TO ALL SERIAL NUMBERS FOR THAT MODEL.</p>	CODE	MODEL	SERIAL NUMBER	A	206A/B/BIII	4-3216	B	206A/B/BIII	204-SUB	C	206B/BIII	661-671, 716-4312	D	206BIII	4313-SUB	E	206BIII	3217-4523	F	206BIII	4524-SUB			
CODE	MODEL	SERIAL NUMBER																								
A	206A/B/BIII	4-3216																								
B	206A/B/BIII	204-SUB																								
C	206B/BIII	661-671, 716-4312																								
D	206BIII	4313-SUB																								
E	206BIII	3217-4523																								
F	206BIII	4524-SUB																								



206A/B/B3-63-1002
C0000

Figure 63-2. Transmission installation

(1) INDEX NUMBER	(2) PART NUMBER	(3) ITEM NAME	(4) UNIT PER ASSY	(5) A V A I L	(6) U O C
		FIGURE: 63-2. Transmission installation			
	206-040-002-001	TRANSMISSION INSTL	1		
	206-040-002-009	TRANSMISSION INSTL	1		
	206-040-002-017	TRANSMISSION INSTL	1		
	206-040-002-021	TRANSMISSION INSTL	1		
	206-040-002-105	TRANSMISSION INSTL	1		
	206-040-002-101	TRANSMISSION INSTL	1		
1	70-010G000X116	.HOSE ASSY (REPLACED BY 70-061G000X116A)	1		
1	70-061G000X116A	.HOSE ASSY (REPLACES 70-010G000X116)	1	1	
2	206-040-250-001	.TUBE ASSY (USBL ON 206-040-002-001 AND -009)	1	1	D
2	206-040-255-001	.TUBE ASSY (USBL ON 206-040-002-017, -021, -101 AND -105)	1	1	L
3	70-010F000X116	.HOSE ASSY (REPLACED BY 70-061F000X116A)	1		
3	70-061F000X116A	.HOSE ASSY (REPLACES 70-010F000X116)	1	1	
4	206-040-094-001	.RESTRICTOR	1	1	H
5	NAS617-4	..PACKING, PREFORMED (NOTE 2) (REPLACED BY M83248/1-904)	1		
5	M83248/1-904	..PACKING, PREFORMED (NOTE 2) (REPLACES NAS617-4)	1	1	
6	AN924-4D	.NUT	1	1	
7	AN960PD716	.WASHER (REPLACED BY AN960JD716)	1		
7	AN960JD716	.WASHER (REPLACES AN960PD716) (REPLACED BY NAS1149D0763J)	1	1	
7	NAS1149D0763J	.WASHER (REPLACES AN960JD716)	1		
8	206-040-244-001	.FITTING	1	1	H
9	AN525-10R10	.SCREW	1	1	E
10	AN960PD10L	.WASHER (REPLACED BY AN960JD10L)	1		E
10	AN960JD10L	.WASHER (REPLACES AN960PD10L) (REPLACED BY NAS1149D0332J)	1		E
10	NAS1149D0332J	.WASHER (REPLACES AN960JD10L)	1		E
11	MS21919WDG16	.CLAMP	1	1	E
12	NAS43DD3-14	.SPACER	1	1	E
13	206-061-535-003	.TRANSDUCER (REPLACED BY 206-061-535-011)	1		E
13	206-061-535-011	.TRANSDUCER (REPLACES 206-061-535-003)	1		E
14	NAS617-4	.PACKING, PREFORMED (NOTE 2) (REPLACED BY M83248/1-904)	1		E
14	M83248/1-904	.PACKING, PREFORMED (NOTE 2) (REPLACES NAS617-4)	1	1	E
15	7G198	.SWITCH (REPLACED BY 7G198-1)	1		
15	7G198-1	.SWITCH (REPLACES 7G198)	1	1	
16	NAS617-4	.PACKING, PREFORMED (NOTE 2) (REPLACED BY M83248/1-904)	3		E
16	M83248/1-904	.PACKING, PREFORMED (NOTE 2) (REPLACES NAS617-4)	3	1	E
17	206-040-254-001	.FITTING	1	1	E
18	AN815-4D	.UNION	1	1	E
19	AN937D4	.CROSS	1	1	E
20	AN525-10R6	.SCREW	1	1	
21	206-040-243-001	.CLIP	1	1	
	206-040-002-003	.TRANSMISSION AND MAST ASSY (USBL ON 206-040-002-001 AND -009)	1		C
	206-040-002-011	.TRANSMISSION AND MAST ASSY (USBL ON 206-040-002-009)	1		F

(1) INDEX NUMBER	(2) PART NUMBER	(3) ITEM NAME	(4) UNIT PER ASSY	(5) A V A I L	(6) U O C
		FIGURE: 63-2. Transmission installation (Cont'd)			
	206-040-002-019	.TRANSMISSION AND MAST ASSY (USBL ON 206-040-002-017)	1		K
	206-040-002-023	.TRANSMISSION AND MAST ASSY (USBL ON 206-040-002-021)	1		M
	206-040-002-107	.TRANSMISSION AND MAST ASSY (USBL ON 206-040-002-105)	1		Q
	206-040-002-103	.TRANSMISSION AND MAST ASSY (USBL ON 206-040-002-101)	1		R
	206-040-002-113	.TRANSMISSION AND MAST ASSY (USBL ON 206-040-002-101)	1		S
22	MS21042L5	..NUT	8	1	
23	AN960-516	..WASHER (REPLACED BY NAS1149F0563P)	8		
23	NAS1149F0563P	..WASHER (REPLACES AN960-516)	8		
24	NAS43DD5-25	..SPACER (NOTE 1)	8	1	
25	AN960-516	..WASHER (NOTE 1) (REPLACED BY NAS1149F0563P)	8		
25	NAS1149F0563P	..WASHER (NOTE 1) (REPLACES AN960-516)	8		
26	206-040-002-007	..MAST ASSY (REPLACED BY 206-040-002-111)	1	0	J
26	206-040-002-109	..MAST ASSY (REPLACED BY 206-040-002-111)	1	0	QR
26	206-040-002-111	..MAST ASSY (REPLACES 206-040-002-007 AND -109)	1		
27	MS35266-61	...SCREW	2	1	
28	AN960-10	...WASHER (REPLACED BY NAS1149F0363P)	2		
28	NAS1149F0363P	...WASHER (REPLACES AN960-10)	2	1	
29	206-040-113-001	...PLATE, LOCKING (REPLACED BY 206-040-113-003)	1	0	
29	206-040-113-003	...PLATE, LOCKING (REPLACES 206-040-113-001)	1	1	
30	206-040-078-003	...NUT (USBL ON 206-040-002-007) (REPLACED BY 206-040-076-005 AND -101)	1	0	
30	206-040-078-005	...NUT (USBL ON 206-040-002-007) (REPLACES 206-040-078-003) (REPLACED BY 206-040-078-101)	1	0	
30	206-040-078-101	...NUT (REPLACES 206-040-078-003 AND -005)	1	1	
31	MS24693-S268	...SCREW	4		
32	206-040-062-003	...PLATE	1	1	
33	415364H19	...SEAL (NOTE 2) (REPLACED BY 206-340-101-101)	1		
33	206-340-101-101	...SEAL (NOTE 2) (REPLACES 415364H19)	1	1	
34	MS29561-246	...PACKING, PREFORMED (NOTE 2) (REPLACED BY M83248/1-246)	1		
34	M83248/1-246	...PACKING, PREFORMED (NOTE 2) (REPLACES MS29561-246)	1		
35	120-006-C138E118	...SHIM	1		
36	206-040-061-001	...LINER	1	1	
37	206-040-036-003	...BEARING (USBL ON 206-040-002-007) (REPLACED BY 206-040-036-005 AND -101)	1	0	
37	206-040-036-005	...BEARING (USBL ON 206-040-002-007 AND -109) (REPLACES 206-040-036-003) (REPLACED BY 206-040-036-101)	1	0	
37	206-040-036-101	...BEARING (REPLACES 206-040-036-003 AND -005) (ALTERNATE PART)	1	1	
37	206-040-036-103	...BEARING	1	1	
38	206-010-332-001	...MAST ASSY (REPLACED BY 206-010-332-005, -009 AND -013)	1		A

(1) INDEX NUMBER	(2) PART NUMBER	(3) ITEM NAME	(4) UNIT PER ASSY	(5) A V A I L	(6) U O C
		FIGURE: 63-2. Transmission installation (Cont'd)			
38	206-010-332-005	...MAST ASSY (REPLACES 206-010-332-001) (REPLACED BY 206-010-332-009 AND -013)	1		B
38	206-010-332-009	...MAST ASSY (REPLACES 206-010-332-001 AND -005) . (REPLACED BY 206-010-332-013)	1		G
38	206-010-332-013	...MAST ASSY (REPLACES 206-010-332-001, -005 AND . . -009)	1		G
38	206-010-332-017	...MAST ASSY (REPLACED BY 206-010-332-121)	1	0	N
38	206-010-332-121	...MAST ASSY (REPLACES 206-010-332-017)	1	1	P
39	18X	...CAP-PLUG (REPLACED BY 30-063-27)	1		
39	30-063-27	...CAP-PLUG (REPLACES 18X)	1	1	
40	MS29561-247	..PACKING, PREFORMED (NOTE 2) (REPLACED BY M83248/1-247)	1		
40	M83248/1-247	..PACKING, PREFORMED (NOTE 2) (REPLACES MS29561-247)	1		
41	206-040-002-005	..TRANSMISSION ASSY (SEE FIG. 3 AND 5 FOR BREAKDOWN) (USBL ON 206-040-002-003) (REPLACED BY 206-040-002-025, -027, -029 AND -115)	1	0	C
41	206-040-002-015	..TRANSMISSION ASSY (SEE FIG. 3 AND 5 FOR BREAKDOWN) (USBL ON 206-040-002-011) (REPLACED BY 206-040-002-025, -027, -029 AND -115)	1	0	F
41	206-040-002-013	..TRANSMISSION ASSY (SEE FIG. 3 AND 5 FOR BREAKDOWN) (USBL ON 206-040-002-019) (REPLACED BY 206-040-002-025, -027, -029 AND -115)	1	0	K
41	206-040-002-025	..TRANSMISSION ASSY (SEE FIG. 4 AND 5 FOR BREAKDOWN) (USBL ON 206-040-002-003, -011, -019 AND -023) (REPLACES 206-040-002-005, -013 AND -015) (REPLACED BY 206-040-002-027, -029 AND -115)	1		J
41	206-040-002-029	..TRANSMISSION ASSY (SEE FIG. 4 AND 5 FOR BREAKDOWN) (USBL ON 206-040-002-003, -011, -019, -023 AND -107) (REPLACES 206-040-002-005, -013, -015 AND -025) (REPLACED BY 206-040-002-027 AND -115)	1		JQ
41	206-040-002-027	..TRANSMISSION ASSY (SEE FIG. 4 AND 5 FOR BREAKDOWN) (USBL ON 206-040-002-003, -011, -019, -023, -103 AND -107) (REPLACES 206-040-002-005, -013, -015, -025 AND -029) (REPLACED BY 206-040-002-115)	1		JQR
41	206-040-002-115	..TRANSMISSION ASSY (SEE FIG. 4 AND 5 FOR BREAKDOWN) (REPLACES 206-040-002-005, -013, -015, -025, -027 AND -029)	1	1	
	206-1732-8	SEAL KIT, XMSN	1		
		NOTE 1: FOR SHIPPING PURPOSE ONLY			
		NOTE 2: INCLUDED IN P/N 206-1732-8 SEAL KIT, XMSN			

(1) INDEX NUMBER	(2) PART NUMBER	(3) ITEM NAME	(4) UNIT PER ASSY	(5) A V A I L	(6) U O C																																																						
		<p>FIGURE: 63-2. Transmission installation (Cont'd)</p> <p style="text-align: center;">USABLE ON CODES</p> <table border="0" style="width: 100%;"> <thead> <tr> <th style="text-align: left;">CODE</th> <th style="text-align: left;">MODEL</th> <th style="text-align: left;">SERIAL NUMBER</th> </tr> </thead> <tbody> <tr><td>A</td><td>206A</td><td>4-413</td></tr> <tr><td>B</td><td>206A</td><td>4-519</td></tr> <tr><td>C</td><td>206A</td><td>4-583</td></tr> <tr><td>D</td><td>206A/B</td><td>4-913</td></tr> <tr><td>E</td><td>206A/B</td><td>254-913</td></tr> <tr><td>F</td><td>206A/B</td><td>584-913</td></tr> <tr><td>G</td><td>206A/B</td><td>4-2091, 2093-2123</td></tr> <tr><td>H</td><td>206A/B/BIII</td><td>4-253, 914-SUB</td></tr> <tr><td>J</td><td>206A/B/BIII</td><td>4-3830</td></tr> <tr><td>K</td><td>206B/BIII</td><td>914-1251</td></tr> <tr><td>L</td><td>206B/BIII</td><td>914-SUB</td></tr> <tr><td>M</td><td>206B/BIII</td><td>1252-3830</td></tr> <tr><td>N</td><td>206B/BIII</td><td>2092, 2124-3830</td></tr> <tr><td>P</td><td>206B/BIII</td><td>2092, 2124-SUB</td></tr> <tr><td>Q</td><td>206BIII</td><td>3831-3904</td></tr> <tr><td>R</td><td>206BIII</td><td>3905-4286</td></tr> <tr><td>S</td><td>206BIII</td><td>4287-SUB</td></tr> </tbody> </table> <p>1) UNLESS A USABLE ON PART NUMBER IS LISTED IN THE ITEM NAME COLUMN; NO CODE INDICATES THE PART APPLIES TO ALL SERIAL NUMBERS.</p> <p>2) IF THE SERIAL NUMBER IS BLANK THE PART APPLIES TO ALL SERIAL NUMBERS FOR THAT MODEL.</p>	CODE	MODEL	SERIAL NUMBER	A	206A	4-413	B	206A	4-519	C	206A	4-583	D	206A/B	4-913	E	206A/B	254-913	F	206A/B	584-913	G	206A/B	4-2091, 2093-2123	H	206A/B/BIII	4-253, 914-SUB	J	206A/B/BIII	4-3830	K	206B/BIII	914-1251	L	206B/BIII	914-SUB	M	206B/BIII	1252-3830	N	206B/BIII	2092, 2124-3830	P	206B/BIII	2092, 2124-SUB	Q	206BIII	3831-3904	R	206BIII	3905-4286	S	206BIII	4287-SUB			
CODE	MODEL	SERIAL NUMBER																																																									
A	206A	4-413																																																									
B	206A	4-519																																																									
C	206A	4-583																																																									
D	206A/B	4-913																																																									
E	206A/B	254-913																																																									
F	206A/B	584-913																																																									
G	206A/B	4-2091, 2093-2123																																																									
H	206A/B/BIII	4-253, 914-SUB																																																									
J	206A/B/BIII	4-3830																																																									
K	206B/BIII	914-1251																																																									
L	206B/BIII	914-SUB																																																									
M	206B/BIII	1252-3830																																																									
N	206B/BIII	2092, 2124-3830																																																									
P	206B/BIII	2092, 2124-SUB																																																									
Q	206BIII	3831-3904																																																									
R	206BIII	3905-4286																																																									
S	206BIII	4287-SUB																																																									

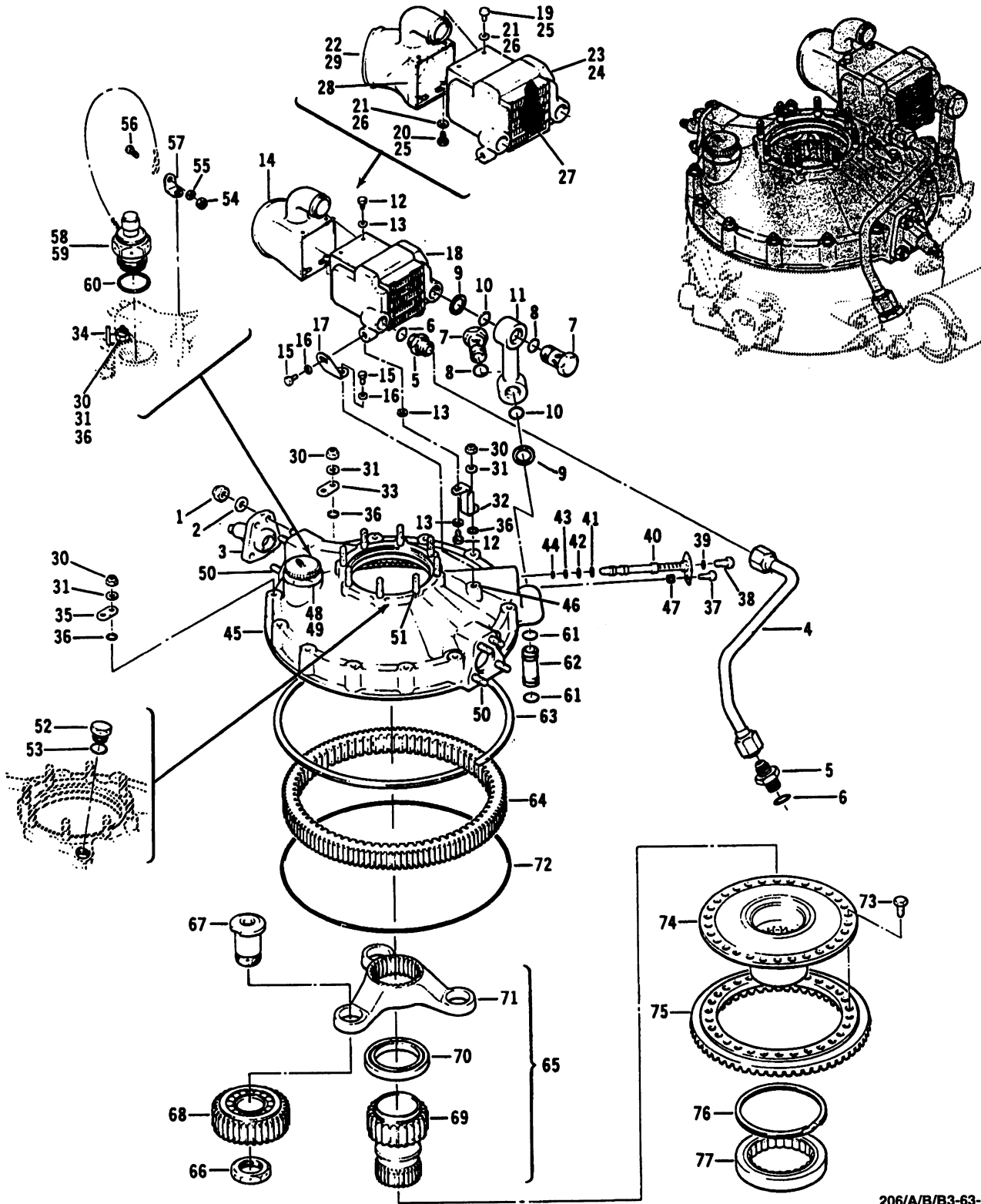


Figure 63-3. Transmission assembly (S/N 4 thru 1251)

206/A/B/B3-63-1003
C0000

(1) INDEX NUMBER	(2) PART NUMBER	(3) ITEM NAME	(4) UNIT PER ASSY	(5) A V A I L	(6) U O C
		FIGURE: 63-3. Transmission assembly (S/N 4 thru 1251)			
	206-040-002-005	TRANSMISSION ASSY (NOTE 6) (SEE FIG. 2 FOR NHA) . . . (SEE FIG. 5 FOR BALANCE OF BREAKDOWN) (USBL ON 206-040-002-003) (REPLACED BY 206-040-002-025, -027, -029 AND -115)	REF	0	C
	206-040-002-015	TRANSMISSION ASSY (NOTE 6) (SEE FIG. 2 FOR NHA) . . . (SEE FIG. 5 FOR BALANCE OF BREAKDOWN) (USBL ON 206-040-002-011) (REPLACED BY 206-040-002-025, -027, -029 AND -115)	REF	0	F
	206-040-002-013	TRANSMISSION ASSY (NOTE 6) (SEE FIG. 2 FOR NHA) . . . (SEE FIG. 5 FOR BALANCE OF BREAKDOWN) (USBL ON 206-040-002-019) (REPLACED BY 206-040-002-025, -027, -029 AND -115)	REF	0	K
1	MS21042L6	.NUT	8	1	
2	AN960-616	.WASHER (REPLACED BY NAS1149F0663P)	8	1	
2	NAS1149F0663P	.WASHER (REPLACES AN960-616)	8	1	
3	206-031-554-001	.SPINDLE (REPLACED BY 206-031-554-003)	2		C
3	206-031-554-003	.SPINDLE (REPLACES 206-031-554-001)	2	1	E
4	206-040-171-001	.TUBE ASSY	1	1	D
4	206-040-127-001	.TUBE ASSY	1	1	K
5	AN815-10D	.UNION	2	1	
6	NAS617-10	.PACKING, PREFORMED (NOTE 2) (REPLACED BY M83248/1-910)	2		
6	M83248/1-910	.PACKING, PREFORMED (NOTE 2) (REPLACES NAS617-10)	2	0	
7	206-040-116-001	.BOLT	2	1	
8	MS29561-115	.PACKING, PREFORMED (NOTE 2) (REPLACED BY M83248/1-115)	2		
8	M83248/1-115	.PACKING, PREFORMED (NOTE 2) (REPLACES MS29561-115)	2		
9	206-040-240-001	.GASKET (NOTE 2)	2	1	
10	NAS617-10	.PACKING, PREFORMED (NOTE 2) (REPLACED BY M83248/1-910)	2		
10	M83248/1-910	.PACKING, PREFORMED (NOTE 2) (REPLACES NAS617-10)	2	0	
11	206-040-192-001	.TUBE	1	1	
12	AN3H3A	.BOLT	5	1	
13	AN960-10L	.WASHER (REPLACED BY NAS1149F0332P)	6		
13	NAS1149F0332P	.WASHER (REPLACES AN960-10L)	6		
14	206-040-503-011	.ADAPTER ASSY (REPLACED BY 206-040-503-019 OR 8538196)	1	0	C
		(ALTERNATE PART)			
14	206-040-503-015	.ADAPTER ASSY	1		C
14	206-040-503-019	.ADAPTER ASSY (REPLACES 206-040-503-011)	1		C
14	8538196	.ADAPTER ASSY (REPLACES 206-040-503-011)	1	1	C
15	AN4H3A	.BOLT	2	1	
16	AN960-416L	.WASHER (REPLACED BY NAS1149F0432P)	2	1	
16	NAS1149F0432P	.WASHER (REPLACES AN960-416L)	2		
17	206-040-169-001	.CLIP	1	1	
18	8534997	.OIL COOLER (REPLACED BY 206-040-273-101)	1		C
18	8537498	.OIL COOLER (REPLACED BY 206-040-273-101)	1		C

(1) INDEX NUMBER	(2) PART NUMBER	(3) ITEM NAME	(4) UNIT PER ASSY	(5) A V A I L	(6) U O C
		FIGURE: 63-3. Transmission assembly (S/N 4 thru 1251) (Cont'd)			
18	206-040-273-101	.OIL COOLER (REPLACES 8534997 AND 8537498)	1		C
19	AN3-4A	.BOLT (NOTE 3)	3	1	
20	AN3-5A	.BOLT (NOTE 3)	1	1	
21	AN960PD10L	.WASHER (NOTE 3) (REPLACED BY AN960JD10L)	4		
21	AN960JD10L	.WASHER (NOTE 3) (REPLACES AN960PD10L) (REPLACED BY NAS1149D0332J)	4		
21	NAS1149D0332J	.WASHER (NOTE 3) (REPLACES AN960JD10L)	4		
22	206-040-287-101	.DUCT ASSY (NOTE 3)	1	1	
23	206-340-202-101	.OIL COOLER AND DUCT (NOTE 3)	1	1	
24	8538312	.OIL COOLER AND DUCT (NOTE 3)	1	0	J
25	AN3-4A	.BOLT (USBL ON 8538312)	4	1	
26	AN960JD10	.WASHER (USBL ON 8538312) (REPLACED BY NAS1149D0363J)	4		
26	NAS1149D0363J	.WASHER (USBL ON 8538312) (REPLACES AN960JD10) . .	4		
27	8527855	.VALVE ASSY (USBL ON 8538312)	1		
28	8537439	.GASKET (USBL ON 8538312)	1	0	
29	8538313	.DUCT ASSY (USBL ON 8538312)	1	1	
30	MS21042L4	.NUT	4	1	
31	AN960-416L	.WASHER (REPLACED BY NAS1149F0432P)	4	1	
31	NAS1149F0432P	.WASHER (REPLACES AN960-416L)	4		
32	206-040-170-001	.BRACKET, MOUNTING	1	1	A
32	206-040-170-003	.BRACKET, MOUNTING	1	1	G
33	10-003D2	.ADAPTER	1	1	C
34	20-032-2	.BRACKET	1	1	J
35	10-003D2	.ADAPTER	1	1	
36	600-442-1-4	.STRAT-O-SEAL (NOTE 2)	4	0	
37	MS35266-61	.SCREW	1	1	
38	MS35266-76	.SCREW	1	1	
39	PRP110 1-4	.DYNA-SEAL (NOTE 2)	1	0	
40	206-040-067-011	.JET ASSY, OIL NO. 2	1		D
40	206-040-134-001	.JET ASSY, OIL NO. 2	1	1	K
41	MS29561-013	.PACKING, PREFORMED (NOTE 2) (REPLACED BY M83248/1-013)	1		
41	M83248/1-013	.PACKING, PREFORMED (NOTE 2) (REPLACES MS29561-013)	1	0	
42	MS29561-012	.PACKING, PREFORMED (NOTE 2) (REPLACED BY M83248/1-012)	1		
42	M83248/1-012	.PACKING, PREFORMED (NOTE 2) (REPLACES MS29561-012)	1	1	
43	MS29561-011	.PACKING, PREFORMED (NOTE 2) (REPLACED BY M83248/1-011)	1		
43	M83248/1-011	.PACKING, PREFORMED (NOTE 2) (REPLACES MS29561-011)	1	1	
44	MS29561-010	.PACKING, PREFORMED (NOTE 2) (REPLACED BY M83248/1-010)	1		
44	M83248/1-010	.PACKING, PREFORMED (NOTE 2) (REPLACES MS29561-010)	1	1	
45	206-040-151-001	.CASE ASSY, UPPER (REPLACED BY 206-040-151-013) . .	1		B
45	206-040-151-009	.CASE ASSY, UPPER (REPLACED BY 206-040-151-013) . .	1		H

(1) INDEX NUMBER	(2) PART NUMBER	(3) ITEM NAME	(4) UNIT PER ASSY	(5) A V A I L	(6) U O C
		FIGURE: 63-3. Transmission assembly (S/N 4 thru 1251) (Cont'd)			
45	206-040-151-013	.CASE ASSY, UPPER (NOTE 4) (REPLACES 206-040-151-001 AND-009)	1	0	
45	206-040-151-015	.CASE ASSY, UPPER (NOTE 4)	1	1	
46	MS124696	..INSERT	1	1	
47	MS124655	..INSERT	1	1	
48	F9253-1	..CAP ASSY (USBL ON 206-040-151-001 AND -009)	1		
49	NAS617-20	..PACKING, PREFORMED (NOTE 2) (USBL ON 206-040-151-001 AND -009) (REPLACED BY M83248/ 1-920)	1		
49	M83248/1-920	..PACKING, PREFORMED (NOTE 2) (USBL ON 206-040-151-001 AND -009) (REPLACES NAS617-20)	1	1	
50	206-040-182-003	..STUD, STANDARD (NOTE 1)	8	1	
50	206-040-182-005	..STUD, .003 OVERSIZE (NOTE 1)	8	1	
50	206-040-182-007	..STUD, .006 OVERSIZE (NOTE 1)	8	1	
50	206-040-182-009	..STUD, .009 OVERSIZE (NOTE 1)	8	1	
50	206-040-182-011	..STUD, .012 OVERSIZE (NOTE 1)	8	1	
51	AN126360	..STUD, STANDARD (NOTE 1)	8	1	
51	AN126361	..STUD, .003 OVERSIZE (NOTE 1)	8	1	
51	AN126362	..STUD, .006 OVERSIZE (NOTE 2)	8	1	
51	AN126363	..STUD, .009 OVERSIZE (NOTE 1)	8	1	
51	AN126364	..STUD, .012 OVERSIZE (NOTE 1)	8	1	
52	MS9015-07	.PLUG (NOTE 4)	1	1	
53	NAS617-6	.PACKING, PREFORMED (NOTE 4) (REPLACED BY M83248/1-906)	1		
53	M83248/1-906	.PACKING, PREFORMED (NOTE 4) (REPLACES NAS617-6) . .	1	1	
54	MS21042L3	.NUT (NOTE 5)	1	1	
55	AN960-10	.WASHER (NOTE 5) (REPLACED BY NAS1149F0363P)	1		
55	NAS1149F0363P	.WASHER (NOTE 5) (REPLACES AN960-10)	1	1	
56	MS35207-262	.SCREW (NOTE 5)	1	1	
57	20-032-5	.BRACKET (NOTE 5)	1	1	
58	F9452	.PLUG (REPLACED BY F9457)	1		F
58	F9457	.PLUG (REPLACES F9452) (REPLACED BY F506)	1		J
58	F506	.FILLER CAP (NOTE 5) (REPLACES F9457)	1		J
58	F506A	.FILLER CAP (NOTE 5)	1	1	J
59	MS29561-023	..PACKING, PREFORMED (NOTE 2) (USBL ON F9452) (REPLACED BY M83248/1-023)	1		
59	M83248/1-023	..PACKING, PREFORMED (NOTE 2) (USBL ON F9452) (REPLACES MS29561-023)	1		
59	MS29561-121	..PACKING, PREFORMED (NOTE 2) (USBL ON F9457) (REPLACED BY M83248/1-121)	1		
59	M83248/1-121	..PACKING, PREFORMED (NOTE 2) (USBL ON F9457) (REPLACES MS29561-121)	1		
60	NAS617-20	.PACKING, PREFORMED (NOTE 2) (REPLACED BY M83248/1-920)	1		J
60	M83248/1-920	.PACKING, PREFORMED (NOTE 2) (REPLACES NAS617-20)	1	1	J
61	MS29561-114	.PACKING, PREFORMED (NOTE 2) (REPLACED BY M83248/1-114)	2		

(1) INDEX NUMBER	(2) PART NUMBER	(3) ITEM NAME	(4) UNIT PER ASSY	(5) A V A I L	(6) U O C
FIGURE: 63-3. Transmission assembly (S/N 4 thru 1251) (Cont'd)					
61	M83248/1-114	.PACKING, PREFORMED (NOTE 2) (REPLACES MS29561-114)	2	1	
62	206-040-075-001	.DOWEL	1	1	
63	206-040-068-001	.SPACER, RING	1	1	
64	206-040-124-001	.GEAR, INTERNAL SPUR	1	1	
65	206-040-006-005	.PLANETARY ASSY (REPLACED BY 206-040-006-007, . . . -009 AND -011)	1		C
65	206-040-006-007	.PLANETARY ASSY (REPLACES 206-040-006-005) (REPLACED BY 206-040-006-009 AND -011)	1	0	C
65	206-040-006-009	.PLANETARY ASSY (REPLACES 206-040-006-005 AND . . . -007) (REPLACED BY 206-040-006-011)	1		C
65	206-040-006-011	.PLANETARY ASSY (REPLACES 206-040-006-005, -007 . . AND -009)	1		
66	206-040-044-003	..NUT	3	1	
67	206-040-043-003	..SHAFT (USBL ON 206-040-006-005, -007 AND -009) . .	3	0	
67	206-040-043-005	..SHAFT (USBL ON 206-040-006-011)	3	1	
68	206-040-035-005	..BEARING ASSY (USBL ON 206-040-006-005 AND -007)	3	0	
68	206-040-035-007	..BEARING ASSY (USBL ON 206-040-006-009 AND -011)	3		
69	206-040-122-001	..GEAR (USBL ON 206-040-006-005)	1		
69	206-040-122-003	..GEAR (USBL ON 206-040-006-007, 009 AND -011) . . . (REPLACED BY 206-040-122-007)	1	0	
69	206-040-122-007	..GEAR (REPLACES 206-040-122-003)	1	0	
70	206-040-038-001	..BEARING (REPLACED BY 206-040-038-101) (ALTERNATE PART)	1		
70	206-040-038-103	..BEARING	1	6	
70	206-040-038-101	..BEARING (REPLACES 206-040-038-001)	1	1	
71	206-040-041-001	..SPIDER (USBL ON 206-040-006-005, -007 AND -009) .	1	0	
71	206-040-080-003	..SPIDER, PLANETARY (USBL ON 206-040-006-011) . . .	1	1	
72	PRP278-1487	.PACKING, PREFORMED (NOTE 2)	1	1	
73	NAS1305-1H	.BOLT (REPLACED BY NAS6605H1)	30	0	
73	NAS6605H1	.BOLT (REPLACES NAS1305-1H)	30	1	
74	206-040-040-001	.SHAFT (REPLACED BY 206-040-040-003)	1	0	C
74	206-040-040-003	.SHAFT (REPLACES 206-040-040-001)	1	1	
75	206-040-021-001	.GEAR (REPLACED BY 206-040-021-005 AND -101)	1		
75	206-040-021-005	.GEAR (REPLACES 206-040-021-001) (REPLACED BY . . . 206-040-021-101)	1		
75	206-040-021-101	.GEAR (REPLACES 206-040-021-001 AND -005)	1	1	
76	RR468BX	.RETAINER (REPLACED BY RR-468BX)	1		
76	RR-468BX	.RETAINER (REPLACES RR468BX)	1		
77	206-040-033-001	.BEARING	1	1	
	206-1732-8	SEAL KIT, XMSN	1		
NOTE 1: REFER TO BHT206A/B SERIES MAINTENANCE MANUAL FOR INSTALLATION INSTRUCTIONS.					
NOTE 2: INCLUDED IN 206-1732-8 SEAL KIT, XMSN.					

(1) INDEX NUMBER	(2) PART NUMBER	(3) ITEM NAME	(4) UNIT PER ASSY	(5) A V A I L	(6) U O C																																	
		<p>FIGURE: 63-3. Transmission assembly (S/N 4 thru 1251) (Cont'd)</p> <p>NOTE 3: REPLACE 8538312 OIL COOLER USING 206-340-202-101 OIL COOLER, 206-040-287-101 DUCT ASSY, AN3-5A BOLT, AN34A BOLT AND AN960JD10L WASHER A UNIT.</p> <p>NOTE 4: REPLACE 206-040-151-013 CASE ASSY WITH 206-040-151-015 CASE ASSY, MS9015-07 PLUG AND NAS617-6 PACKING AS A UNIT.</p> <p>NOTE 5: REPLACE F506 FILLER CAP WITH F506A FILLER CAP, 20-032-5 BRACKET, MS35207-262 SCREW, AN960-10 WASHER AND MS21042L3 NUT AS A UNIT.</p> <p>NOTE 6: FOR PART NUMBERS 206-040-002-025, -027, -029 AND -115, SEE FIGURE 4.</p> <p style="text-align: center;">USABLE ON CODES</p> <table border="0" style="width: 100%;"> <thead> <tr> <th style="text-align: left;">CODE</th> <th style="text-align: left;">MODEL</th> <th style="text-align: left;">SERIAL NUMBER</th> </tr> </thead> <tbody> <tr><td>A</td><td>206A</td><td>4-458</td></tr> <tr><td>B</td><td>206A</td><td>4-519</td></tr> <tr><td>C</td><td>206A</td><td>4-583</td></tr> <tr><td>D</td><td>206A/B</td><td>4-913</td></tr> <tr><td>E</td><td>206A/B</td><td>4-1251</td></tr> <tr><td>F</td><td>206A/B</td><td>584-913</td></tr> <tr><td>G</td><td>206A/B</td><td>459-1251</td></tr> <tr><td>H</td><td>206A/B</td><td>520-1251</td></tr> <tr><td>J</td><td>206A/B</td><td>584-1251</td></tr> <tr><td>K</td><td>206B</td><td>914-1251</td></tr> </tbody> </table> <p>1) UNLESS A USABLE ON PART NUMBER IS LISTED IN THE ITEM NAME COLUMN; NO CODE INDICATES THE PART APPLIES TO ALL SERIAL NUMBERS.</p> <p>2) IF THE SERIAL NUMBER IS BLANK THE PART APPLIES TO ALL SERIAL NUMBERS FOR THAT MODEL.</p>	CODE	MODEL	SERIAL NUMBER	A	206A	4-458	B	206A	4-519	C	206A	4-583	D	206A/B	4-913	E	206A/B	4-1251	F	206A/B	584-913	G	206A/B	459-1251	H	206A/B	520-1251	J	206A/B	584-1251	K	206B	914-1251			
CODE	MODEL	SERIAL NUMBER																																				
A	206A	4-458																																				
B	206A	4-519																																				
C	206A	4-583																																				
D	206A/B	4-913																																				
E	206A/B	4-1251																																				
F	206A/B	584-913																																				
G	206A/B	459-1251																																				
H	206A/B	520-1251																																				
J	206A/B	584-1251																																				
K	206B	914-1251																																				

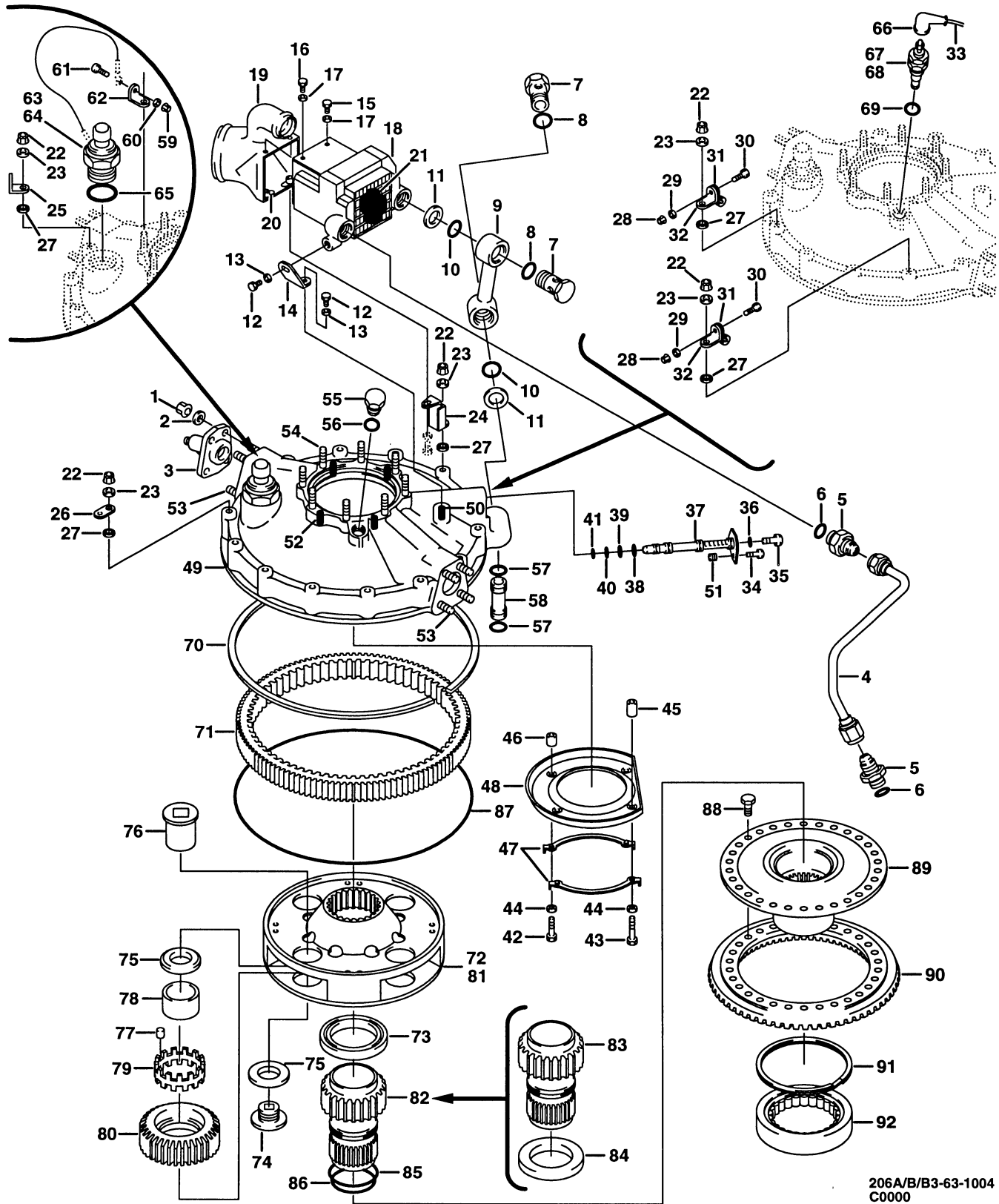


Figure 63-4. Transmission assembly (S/N 4 thru 4286)

206A/B/B3-63-1004
C0000

(1) INDEX NUMBER	(2) PART NUMBER	(3) ITEM NAME	(4) UNIT PER ASSY	(5) A V A I L	(6) U O C
		FIGURE: 63-4. Transmission assembly			
	206-040-002-025	TRANSMISSION ASSY (NOTE 6) (SEE FIG. 2 FOR NHA) . . . (SEE FIG. 5 FOR BALANCE OF BREAKDOWN) (USBL ON 206-040-002-003, -011, -019 AND -023) (REPLACES 206-040-002-005, -013 AND -015) (REPLACED BY 206-040-002-027, -029 AND -115)	REF		A
	206-040-002-029	TRANSMISSION ASSY (NOTE 6) (SEE FIG. 2 FOR NHA) . . . (SEE FIG. 5 FOR BALANCE OF BREAKDOWN) (USBL ON 206-040-002-003, -011, -019, -023 AND -107) (REPLACES 206-040-002-005, -013, -015 AND -025) (REPLACED BY 206-040-002-027 AND -115)	REF		B
	206-040-002-027	TRANSMISSION ASSY (NOTE 6) (SEE FIG. 2 FOR NHA) . . . (SEE FIG. 5 FOR BALANCE OF BREAKDOWN) (USBL ON 206-040-002-003, -011, -019, -023, -103 AND -107) (REPLACES 206-040-002-005, -013, -015, -025 AND -029) (REPLACED BY 206-040-002-115)	REF		C
	206-040-002-115	TRANSMISSION ASSY (NOTE 6) (SEE FIG. 2 FOR NHA) . . . (SEE FIG. 5 FOR BALANCE OF BREAKDOWN) (REPLACES 206-040-002-005, -013, -015, -025, -027 AND -029)	REF	1	
1	MS21042L6	.NUT	8	1	
2	AN960-616	.WASHER (REPLACED BY NAS1149F0663P)	8	1	
2	NAS1149F0663P	.WASHER (REPLACES AN960-616)	8	1	
3	206-031-554-003	.SPINDLE	2	1	
4	206-040-127-001	.TUBE ASSY	1	1	
5	AN815-10D	.UNION	2	1	
6	NAS617-10	.PACKING, PREFORMED (NOTE 1) (REPLACED BY M83248/1-910)	2		
6	M83248/1-910	.PACKING, PREFORMED (NOTE 1) (REPLACES NAS617-10)	2	0	
7	206-040-116-001	.BOLT	2	1	
8	MS29561-115	.PACKING, PREFORMED (NOTE 1) (REPLACED BY M83248/1-115)	2		
8	M83248/1-115	.PACKING, PREFORMED (NOTE 1) (REPLACES MS29561-115)	2		
9	206-040-192-001	.TUBE	1	1	
10	NAS617-10	.PACKING, PREFORMED (NOTE 1) (REPLACED BY M83248/1-910)	2		
10	M83248/1-910	.PACKING, PREFORMED (NOTE 1) (REPLACES NAS617-10)	2	0	
11	206-040-240-001	.GASKET (NOTE 1)	2	1	
12	AN4H3A	.BOLT	2	1	
13	AN960-416L	.WASHER (REPLACED BY NAS1149F0432P)	2	1	
13	NAS1149F0432P	.WASHER (REPLACES AN960-416L)	2		
14	206-040-169-001	.CLIP	1	1	
15	AN3H3A	.BOLT (USBL WITH 8538312)	1	1	
15	AN3-5A	.BOLT (USBL WITH 206-340-202-101) (NOTE 2)	1	1	
16	AN3H3A	.BOLT (USBL WITH 8538312)	3	1	
16	AN3-4A	.BOLT (USBL WITH 206-340-202-101) (NOTE 2)	3	1	
17	AN960-10L	.WASHER (USBL WITH 8538312) (REPLACED BY NAS1149F0332P)	4		
17	NAS1149F0332P	.WASHER (USBL WITH 8538312) (REPLACES AN960-10L) .	4		

(1) INDEX NUMBER	(2) PART NUMBER	(3) ITEM NAME	(4) UNIT PER ASSY	(5) A V A I L	(6) U O C
		FIGURE: 63-4. Transmission assembly (Cont'd)			
17	AN960PD10L	. WASHER (USBL WITH 206-340-202-101) (NOTE 2) (REPLACED BY AN960JD10L)	4		
17	AN960JD10L	. WASHER (USBL WITH 206-340-202-101) (NOTE 2) (REPLACES AN960PD10L) (REPLACED BY NAS1149D0332J)	4		
17	NAS1149D0332J	. WASHER (USBL WITH 206-340-202-101) (NOTE 2) (REPLACES AN960JD10L)	4		
18	8538312	. OIL COOLER AND DUCT ASSY (NOTE 2)	1	0	
18	206-340-202-101	. OIL COOLER AND DUCT ASSY (NOTE 2)	1	1	
19	8538313	. . DUCT ASSY (USBL WITH 8538312) (NOTE 2)	1	1	
19	206-040-287-101	. . DUCT ASSY (USBL WITH 206-340-202-101) (NOTE 2)	1	1	
20	MS21051L3	. . . NUTPLATE (REPLACED BY MS21051-L3)	4	0	
20	MS21051-L3	. . . NUTPLATE (REPLACES MS21051L3)	4		
21	8527855	. . VALVE ASSY (USBL WITH 8538312)	1		
21	724175	. . VALVE ASSY (USBL ON 206-340-202-101)	1	1	
22	MS21042L4	. NUT	14	1	
23	AN960-416L	. WASHER (REPLACED BY NAS1149F0432P)	14	1	
23	NAS1149F0432P	. WASHER (REPLACES AN960-416L)	14		
24	206-040-170-003	. BRACKET, MOUNTING	1	1	
25	20-032-2	. BRACKET	1	1	
26	10-003D2	. ADAPTER	1	1	
27	600-401 1-4	. STRAT-O-SEAL (NOTE 1) (ALTERNATE PARTS)	14	0	
27	NAS1523-4Y	. STRAT-O-SEAL (NOTE 1)	14	1	
27	NAS1523-4E	. STRAT-O-SEAL (NOTE 1)	14	6	
28	MS21042L3	. NUT (USBL ON 206-040-002-027 AND -115)	2	1	
29	AN960PD10L	. WASHER (USBL ON 206-040-002-027 AND -115) (REPLACED BY AN960JD10L)	2		
29	AN960JD10L	. WASHER (USBL ON 206-040-002-027 AND -115) (REPLACES AN960PD10L) (REPLACED BY NAS1149D0332J)	2		
29	NAS1149D0332J	. WASHER (USBL ON 206-040-002-027 AND -115) (REPLACES AN960JD10L)	2		
30	AN3-3A	. BOLT (USBL ON 206-040-002-027 AND -115)	2	1	
31	30-185-1	. CLAMP (USBL ON 206-040-002-027 AND -115)	2	1	
32	20-032-3	. BRACKET (USBL ON 206-040-002-027 AND -115)	2	1	
33	206-075-559-023	. CABLE ASSY (USBL ON 206-040-002-027 AND -115)	1	6	
34	MS35266-61	. SCREW	1	1	
35	MS35266-76	. SCREW	1	1	
36	PRP110 1-4	. DYNA-SEAL (NOTE 1)	1	0	
37	206-040-147-001	. JET ASSY, OIL NO.2	1	1	
38	MS29561-013	. PACKING, PREFORMED (NOTE 1) (REPLACED BY M83248/1-013)	1		
38	M83248/1-013	. PACKING, PREFORMED (NOTE 1) (REPLACES MS29561-013)	1	0	
39	MS29561-012	. PACKING, PREFORMED (NOTE 1) (REPLACED BY M83248/1-012)	1		
39	M83248/1-012	. PACKING, PREFORMED (NOTE 1) (REPLACES MS29561-012)	1	1	

(1) INDEX NUMBER	(2) PART NUMBER	(3) ITEM NAME	(4) UNIT PER ASSY	(5) A V A I L	(6) U O C
FIGURE: 63-4. Transmission assembly (Cont'd)					
40	MS29561-011	.PACKING, PREFORMED (NOTE 1) (REPLACED BY M83248/1-011)	1		
40	M83248/1-011	.PACKING, PREFORMED (NOTE 1) (REPLACES MS29561-011)	1	1	
41	MS29561-010	.PACKING, PREFORMED (NOTE 1) (REPLACED BY M83248/1-010)	1		
41	M83248/1-010	.PACKING, PREFORMED (NOTE 1) (REPLACES MS29561-010)	1	1	
42	AN174H12A	.BOLT (USBL ON 206-040-002-027 AND -115)	2	1	
43	AN174H13A	.BOLT (USBL ON 206-040-002-027 AND -115)	2	1	
44	AN960JD416	.WASHER (USBL ON 206-040-002-027 AND -115) (REPLACED BY NAS1149D0463J)	4		
44	NAS1149D0463J	.WASHER (USBL ON 206-040-002-027 AND -115) (REPLACES AN960JD416)	4		
45	206-040-158-001	.SPACER (USBL ON 206-040-002-027 AND -115)	2	1	
46	206-040-158-003	.SPACER (USBL ON 206-040-002-027 AND -115)	2	1	
47	206-040-159-001	.PLATE (USBL ON 206-040-002-027 AND -115)	2	1	
48	206-040-157-001	.PAN (USBL ON 206-040-002-027 AND -115)	1	1	
49	206-040-151-013	.CASE ASSY, UPPER (NOTE 3) (USBL ON 206-040-002-025 AND -029)	1	0	
49	206-040-151-015	.CASE ASSY, UPPER (NOTE 3)	1	1	
50	MS124696	..INSERT	1	1	
51	MS124655	..INSERT	1	1	
52	M45932/1-14A	..INSERT (USBL ON 206-040-151-015)	4		
53	206-040-182-003	..STUD, STANDARD	8	1	
53	206-040-182-005	..STUD, .003 OVERSIZE	8	1	
53	206-040-182-007	..STUD, .006 OVERSIZE	8	1	
53	206-040-182-009	..STUD, .009 OVERSIZE	8	1	
53	206-040-182-011	..STUD, .012 OVERSIZE	8	1	
54	AN126360	..STUD, STANDARD	8	1	
54	AN126361	..STUD, .003 OVERSIZE	8	1	
54	AN126362	..STUD, .006 OVERSIZE	8	1	
54	AN126363	..STUD, .009 OVERSIZE	8	1	
54	AN126364	..STUD, .012 OVERSIZE	8	1	
55	MS9015-07	.PLUG (NOTE 3)	1	1	
56	NAS617-6	.PACKING, PREFORMED (NOTE 3) (REPLACED BY M83248/1-906)	1		
56	M83248/1-906	.PACKING, PREFORMED (NOTE 3) (REPLACES NAS617-6) .	1	1	
57	MS29561-114	.PACKING, PREFORMED (NOTE 1) (REPLACED BY M83248/1-114)	2		
57	M83248/1-114	.PACKING, PREFORMED (NOTE 1) (REPLACES MS29561-114)	2	1	
58	206-040-075-001	.DOWEL	1	1	
59	MS21042L3	.NUT (NOTE 4)	1	1	
60	AN960-10	.WASHER (NOTE 4) (REPLACED BY NAS1149F0363P)	1		
60	NAS1149F0363P	.WASHER (NOTE 4) (REPLACES AN960-10)	1	1	
61	MS35207-262	.SCREW (NOTE 4)	1	1	
62	20-032-5	.BRACKET (NOTE 4)	1	1	
63	F9457	.PLUG (REPLACED BY F506)	1		
63	F506	.FILLER CAP (NOTE 4) (REPLACES F9457)	1		

(1) INDEX NUMBER	(2) PART NUMBER	(3) ITEM NAME	(4) UNIT PER ASSY	(5) A V A I L	(6) U O C
		FIGURE: 63-4. Transmission assembly (Cont'd)			
63	F506A	. FILLER CAP (NOTE 4)	1	1	
64	MS29561-121	.. PACKING, PREFORMED (NOTE 1) (USBL ON F9457) (REPLACED BY M83248/1-121)	1		
64	M83248/1-121	.. PACKING, PREFORMED (NOTE 1) (USBL ON F9457) (REPLACES MS29561-121)	1		
65	NAS617-20	. PACKING, PREFORMED (REPLACED BY M83248/1-920) . . .	1		
65	M83248/1-920	. PACKING, PREFORMED (REPLACES NAS617-20)	1	1	
66	MS25171-1S	. NIPPLE (USBL ON 206-040-002-027 AND -115)	1	1	
67	B-551	. CHIP DETECTOR (USBL ON 206-040-002-027 AND -115)	1		
68	M83248/1-011	.. PACKING, PREFORMED	1	1	
69	NAS617-6	. PACKING, PREFORMED (USBL ON 206-040-002-027 AND . . -115) (REPLACED BY M83248/1-906)	1		
69	M83248/1-906	. PACKING, PREFORMED (USBL ON 206-040-002-027 AND . . -115) (REPLACES NAS617-6)	1	1	
70	206-040-068-001	. SPACER, RING	1	1	
71	206-040-124-001	. GEAR, INTERNAL SPUR, INTERNAL SPUR	1	1	
72	206-040-010-005	. PLANETARY ASSY (USBL ON 206-040-002-025) (REPLACED BY 206-040-010-101 AND -103)	1	0	
72	206-040-010-101	. PLANETARY ASSY (USBL ON 206-040-002-025, -027 . . . AND -029) (REPLACES 206-040-010-005) (REPLACED BY 206-040-010-103)	1	0	
72	206-040-010-103	. PLANETARY ASSY (REPLACES 206-040-010-005 AND . . . -101)	1	1	
73	206-040-038-001	.. BEARING (USBL ON 206-040-010-005) (REPLACED BY . 206-040-038-101) (ALTERNATE PART)	1		
73	206-040-038-103	.. BEARING (USBL ON 206-040-010-005)	1	6	
73	206-040-038-101	.. BEARING (REPLACES 206-040-038-001) (ALTERNATE PART)	1	1	
73	206-040-038-105	.. BEARING	1		
74	204-040-131-001	.. NUT	4	1	
75	204-040-134-005	.. WASHER	8	1	
76	204-040-130-005	.. SHAFT	4	1	
77	204-040-725-001	.. ROLLER SET (NOTE 5) (USBL ON 206-040-010-005 . . . AND -101) (REPLACED BY 406-340-103-103) (ALTERNATE PARTS)	4		
77	204-040-725-003	.. ROLLER SET (NOTE 5)	4	1	
77	204-040-725-101	.. ROLLER SET (NOTE 5)	4		
77	406-340-103-103	.. ROLLER SET (REPLACES 204-040-725-001) (ALTERNATE PART)	4		
77	406-340-103-105	.. ROLLER SET	4		
78	204-040-132-001	.. BEARING RACE	4	1	
79	204-040-129-001	.. RETAINER	4	1	
80	206-040-146-001	.. GEAR (USBL ON 206-040-010-005 AND -101) (REPLACED BY 206-040-146-103) (ALTERNATE PART)	4	0	
80	206-040-146-101	.. GEAR	4		
80	206-040-146-103	.. GEAR (REPLACES 206-040-146-001)	4	1	

(1) INDEX NUMBER	(2) PART NUMBER	(3) ITEM NAME	(4) UNIT PER ASSY	(5) A V A I L	(6) U O C
FIGURE: 63-4. Transmission assembly (Cont'd)					
81	206-040-140-007	.CARRIER ASSY (USBL ON 206-040-010-005 AND -101) (REPLACED BY 206-040-140-013)	1		
81	206-040-140-013	.CARRIER ASSY (REPLACES 206-040-140-007)	1	1	
82	206-040-122-007	.GEAR (USBL ON 206-040-002-025) (REPLACED BY 206-040-122-101 AND -103)	1	0	
82	206-040-122-101	.GEAR (USBL ON 206-040-002-025) (REPLACES 206-040-122-007) (REPLACED BY 206-040-122-103)	1	0	
82	206-040-122-103	.GEAR (USBL ON 206-040-002-025) (REPLACES 206-040-122-007 AND -101)	1	1	
82	206-040-562-101	.GEAR (USBL ON 206-040-002-029 AND -027) (REPLACED BY 206-040-562-103 AND 206-040-662-101)	1	0	
82	206-040-562-103	.GEAR (USBL ON 206-040-002-029 AND -027) (REPLACES 206-040-562-101) (REPLACED BY 206-040-662-101)	1	0	
82	206-040-662-101	.GEAR (USBL ON 206-040-002-029 AND -027) (REPLACES 206-040-562-101 AND -103)	1	1	
83	206-040-513-101	.GEAR (USBL ON 206-040-002-115)	1	1	
84	206-040-285-101	.WASHER (USBL ON 206-040-002-115)	1	1	
85	MS29561-228	.PACKING, PREFORMED (NOTE 1) (USBL ON 206-040-002-029 AND -027) (REPLACED BY M83248/ 1-228)	1		
85	M83248/1-228	.PACKING, PREFORMED (NOTE 1) (USBL ON 206-040-002-029 AND -027) (REPLACES MS29561-228)	1		
86	MS29561-232	.PACKING, PREFORMED (NOTE 1) (USBL ON 206-040-002-029 AND -027) (REPLACED BY M83248/ 1-232)	1		
86	M83248/1-232	.PACKING, PREFORMED (NOTE 1) (USBL ON 206-040-002-029 AND -027) (REPLACES MS29561-232)	1		
87	PRP278-1487	.PACKING, PREFORMED (USBL ON 206-040-002-029, . . . -027 AND -115)	1	1	
88	NAS1305-1H	.BOLT (REPLACED BY NAS6605H1)	30	0	
88	NAS6605H1	.BOLT (REPLACES NAS1305-1H)	30	1	
89	206-040-040-003	.SHAFT (USBL ON 206-040-002-025)	1	1	
89	206-040-040-005	.SHAFT (USBL ON 206-040-002-029 AND -027)	1	1	
89	206-040-514-101	.SHAFT (USBL ON 206-040-002-115)	1	1	
90	206-040-021-001	.GEAR (REPLACED BY 206-040-021-005 AND -101)	1		
90	206-040-021-005	.GEAR (REPLACES 206-040-021-001) (REPLACED BY . . . 206-040-021-101)	1		
90	206-040-021-101	.GEAR (REPLACES 206-040-021-001 AND -005)	1	1	
91	RR-468BX	.RETAINER	1		
92	206-040-033-001	.BEARING (ALTERNATE PART)	1	1	
92	206-040-033-107 206-1732-8	.BEARING SEAL KIT, XMSN	1 1	1 1	
NOTE 1: INCLUDED IN P/N 206-1732-8 SEAL KIT, XMSN.					

(1) INDEX NUMBER	(2) PART NUMBER	(3) ITEM NAME	(4) UNIT PER ASSY	(5) A V A I L	(6) U O C												
		<p>FIGURE: 63-4. Transmission assembly (Cont'd)</p> <p>NOTE 2: REPLACE 8538312 OIL COOLER USING 206-340-202-101 OIL COOLER, 206-040-287-101 DUCT ASSY, AN3-5A BOLT (1 EA), AN3-4A BOLT (3 EA) AND AN960JD10L WASHER (4 EA) AS A UNIT.</p> <p>NOTE 3: REPLACE P/N 206-040-151-013 CASE ASSY WITH 206-040-151-015 CASE ASSY, MS9015-07 PLUG AND NAS617-6 PACKING AS A UNIT.</p> <p>NOTE 4: REPLACE F506 FILLER CAP WITH F506A FILLER CAP, 20-032-5 BRACKET, MS35207-262 SCREW, AN960-10 WASHER AND MS21042L3 NUT.</p> <p>NOTE 5: INDIVIDUAL ROLLERS ARE NOT INTERCHANGEABLE AND SHALL NOT BE MIXED BETWEEN 206-040-725-001, -003 AND -101 ROLLER SETS.</p> <p>NOTE 6: FOR PART NUMBERS 206-040-002-005, -013 AND -015, SEE FIGURE 3.</p> <p style="text-align: center;">USABLE ON CODES</p> <table border="0" style="margin-left: auto; margin-right: auto;"> <thead> <tr> <th style="text-align: left;">CODE</th> <th style="text-align: left;">MODEL</th> <th style="text-align: left;">SERIAL NUMBER</th> </tr> </thead> <tbody> <tr> <td>A</td> <td>206A/B/BIII</td> <td>4-3830</td> </tr> <tr> <td>B</td> <td>206A/B/BIII</td> <td>4-3904</td> </tr> <tr> <td>C</td> <td>206A/B/BIII</td> <td>4-4286</td> </tr> </tbody> </table> <p>1) UNLESS A USABLE ON PART NUMBER IS LISTED IN THE ITEM NAME COLUMN; NO CODE INDICATES THE PART APPLIES TO ALL SERIAL NUMBERS.</p> <p>2) IF THE SERIAL NUMBER IS BLANK THE PART APPLIES TO ALL SERIAL NUMBERS FOR THAT MODEL.</p>	CODE	MODEL	SERIAL NUMBER	A	206A/B/BIII	4-3830	B	206A/B/BIII	4-3904	C	206A/B/BIII	4-4286			
CODE	MODEL	SERIAL NUMBER															
A	206A/B/BIII	4-3830															
B	206A/B/BIII	4-3904															
C	206A/B/BIII	4-4286															

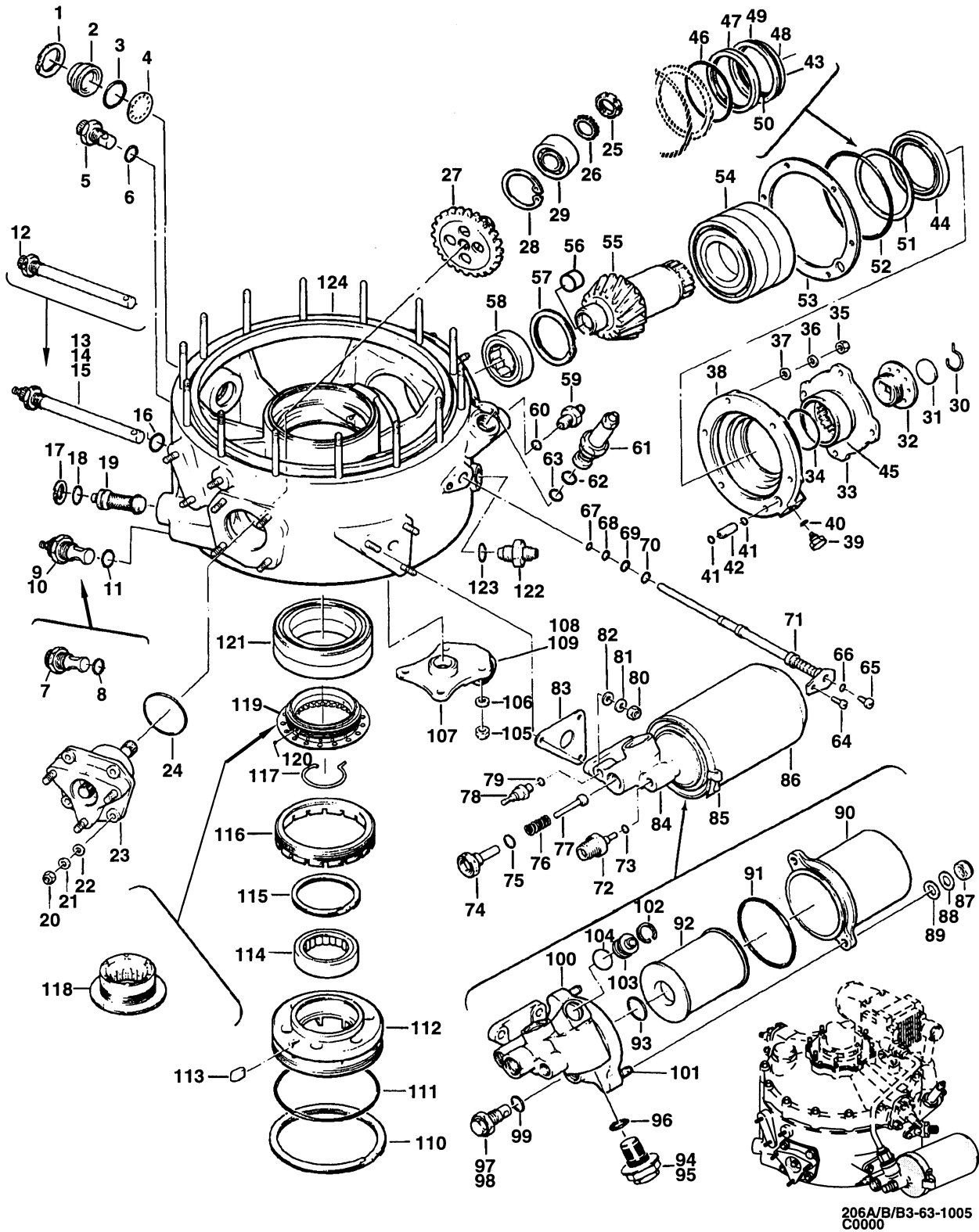


Figure 63-5. Transmission assembly

(1) INDEX NUMBER	(2) PART NUMBER	(3) ITEM NAME	(4) UNIT PER ASSY	(5) A V A I L	(6) U O C
		FIGURE: 63-5. Transmission assembly			
	206-040-002-005	TRANSMISSION ASSY (SEE FIG. 2 FOR NHA) (SEE FIG. 3 . FOR BALANCE OF BREAKDOWN) (USBL ON 206-040-002-003) (REPLACED BY 206-040-002-025, -027, -029 AND -115)	REF	0	C
	206-040-002-015	TRANSMISSION ASSY (SEE FIG. 2 FOR NHA) (SEE FIG. 3 . FOR BALANCE OF BREAKDOWN) (USBL ON 206-040-002-011) (REPLACED BY 206-040-002-025, -027, -029 AND -115)	REF	0	E
	206-040-002-013	TRANSMISSION ASSY (SEE FIG. 2 FOR NHA) (SEE FIG. 3 . FOR BALANCE OF BREAKDOWN) (USBL ON 206-040-002-019) (REPLACED BY 206-040-002-025, -027, -029 AND -115)	REF	0	F
	206-040-002-025	TRANSMISSION ASSY (SEE FIG. 2 FOR NHA) (SEE FIG. 4 . FOR BALANCE OF BREAKDOWN) (USBL ON 206-040-002-003, -011, -019 AND -023) (REPLACES 206-040-002-005, -013 AND -015) (REPLACED BY 206-040-002-027, -029 AND -115)	REF		H
	206-040-002-029	TRANSMISSION ASSY (SEE FIG. 2 FOR NHA) (SEE FIG. 4 . FOR BALANCE OF BREAKDOWN) (USBL ON 206-040-002-003, -011, -019, -023 AND -107) (REPLACES 206-040-002-005, -013, -015 AND -025) (REPLACED BY 206-040-002-027 AND -115)	REF		J
	206-040-002-027	TRANSMISSION ASSY (SEE FIG. 2 FOR NHA) (SEE FIG. 4 . FOR BALANCE OF BREAKDOWN) (USBL ON 206-040-002-003, -011, -019, -023, -103 AND -107) (REPLACES 206-040-002-005, -013, -015, -025 AND -029) (REPLACED BY 206-040-002-115)	REF		K
	206-040-002-115	TRANSMISSION ASSY (SEE FIG. 2 FOR NHA) (SEE FIG. 4 . FOR BALANCE OF BREAKDOWN) (REPLACES 206-040-002-005, -013, -015, -025, -027 AND -029)	REF	1	
1	RRT-150C	.RETAINER	1	1	
2	204-040-514-001	.GLASS, SIGHT (REPLACED BY 412-340-416-101)	1	1	M
2	412-340-416-101	.GLASS, SIGHT (REPLACES 204-040-514-001)	1		
3	MS29561-218	.PACKING, PREFORMED (NOTE 1) (REPLACED BY M83248/1-218)	1	1	
3	M83248/1-218	.PACKING, PREFORMED (NOTE 1) (REPLACES MS29561-218)	1	1	
4	206-040-093-001	.INDICATOR	1	1	
5	B-734	.PLUG, DRAIN (NOTE 5)	1		A
5	B-148	.PLUG, DRAIN (NOTE 5)	1		D
6	NAS617-8	.PACKING, PREFORMED (NOTE 1, 5) (REPLACED BY M83248/1-908)	1		
6	M83248/1-908	.PACKING, PREFORMED (NOTE 1, 5) (REPLACES NAS617-8)	1	1	
7	B-3659	.PLUG, MAGNETIC	1		EF
8	NAS617-6	.PACKING, PREFORMED (NOTE 1) (REPLACED BY M83248/1-906)	1		
8	M83248/1-906	.PACKING, PREFORMED (NOTE 1) (REPLACES NAS617-6)	1	1	
9	B-3188B	.DETECTOR, CHIP, ELECTRIC (NOTE 5)	1		Q
10	MS29561-011	..PACKING, PREFORMED (REPLACED BY M83248/1-011)	1		

(1) INDEX NUMBER	(2) PART NUMBER	(3) ITEM NAME	(4) UNIT PER ASSY	(5) A V A I L	(6) U O C
		FIGURE: 63-5. Transmission assembly (Cont'd)			
10	M83248/1-011	.PACKING, PREFORMED (REPLACES MS29561-011)	1	1	
11	NAS617-6	.PACKING, PREFORMED (NOTE 1, 5) (REPLACED BY M83248/1-906)	1		
11	M83248/1-906	.PACKING, PREFORMED (NOTE 1, 5) (REPLACES NAS617-6)	1	1	
12	B-3181	.PLUG, MAGNETIC	1		EF
13	B-3182B	.DETECTOR, CHIP (NOTE 5)	1		Q
14	M83248/1-012	.PACKING, PREFORMED	1	1	
15	MS29561-011	.PACKING, PREFORMED (REPLACED BY M83248/1-011) . .	1		
15	M83248/1-011	.PACKING, PREFORMED (REPLACES MS29561-011)	1	1	
16	NAS617-8	.PACKING, PREFORMED (NOTE 1, 5) (REPLACED BY M83248/1-908)	1		
16	M83248/1-908	.PACKING, PREFORMED (NOTE 1, 5) (REPLACES NAS617-8)	1	1	
17	RR106C	.RETAINER (REPLACED BY M27426-3123B)	1		
17	M27426-3123B	.RETAINER (REPLACES RR106C)	1	1	
18	MS29561-210	.PACKING, PREFORMED (NOTE 1) (REPLACED BY M83248/1-210)	1		
18	M83248/1-210	.PACKING, PREFORMED (NOTE 1) (REPLACES MS29561-210) (REPLACED BY AS3209-210)	1	1	
18	AS3209-210	.PACKING PREFORMED (NOTE 1) (REPLACES M83248/1-210)	1		
19	206-040-076-009	.SCREEN ASSY	1	1	
20	MS21042L4	.NUT	4	1	
21	AN960-416L	.WASHER (REPLACED BY NAS1149F0432P)	4	1	
21	NAS1149F0432P	.WASHER (REPLACES AN960-416L)	4		
22	NAS1197-416L	.WASHER	4	1	
23	206-040-184-001	.PUMP ASSY (SEE FIG. 7 FOR BREAKDOWN)	1	1	
24	MS29561-138	.PACKING, PREFORMED (NOTE 1) (REPLACED BY M83248/1-138)	1		
24	M83248/1-138	.PACKING, PREFORMED (NOTE 1) (REPLACES MS29561-138)	1	1	
25	MS172259	.NUT, SPANNER	1	1	
26	MS172224	.WASHER	1	1	
27	206-040-025-001	.GEAR (REPLACED BY 206-040-025-101)	1		
27	206-040-025-101	.GEAR (REPLACES 206-040-025-001)	1	1	
28	N5002-185	.RING (REPLACED BY MS16631-3185)	1		CEF
28	MS16631-3185	.RETAINER, RING (REPLACES N5002-185)	1	1	
29	206-040-034-003	.BEARING (ALTERNATE PART)	1	1	
29	206-040-034-105	.BEARING	1	1	
30	206-040-065-001	.LOCK SPRING	1	1	
31	206-040-089-003	.COVER	1	1	
32	206-040-047-001	.NUT	1	1	
33	206-040-048-001	.ADAPTER (NOTE 2) (REPLACED BY 206-040-048-003 AND -101)	1	6	G
33	206-040-048-003	.ADAPTER (NOTE 2) (REPLACES 206-040-048-001) (REPLACED BY 206-040-048-101)	1	1	L
33	206-040-048-101	.ADAPTER (REPLACES 206-040-048-001 AND -003)	1		

(1) INDEX NUMBER	(2) PART NUMBER	(3) ITEM NAME	(4) UNIT PER ASSY	(5) A V A I L	(6) U O C
		FIGURE: 63-5. Transmission assembly (Cont'd)			
34	L1523-1487	.PACKING, PREFORMED (NOTE 1) (REPLACED BY L-1523-1487)	1	0	
34	L-1523-1487	.PACKING, PREFORMED (NOTE 1) (REPLACES L1523-1487) (REPLACED BY L-1523A)	1	1	
34	L-1523A	.PACKING, PREFORMED (NOTE 1) (REPLACES L-1523-1487)	1		
35	MS21042L4	.NUT	6	1	
36	AN960-416L	.WASHER (REPLACED BY NAS1149F0432P)	6	1	
36	NAS1149F0432P	.WASHER (REPLACES AN960-416L)	6		
37	NAS1197-416L	.WASHER	6	1	
38	206-040-052-003	.HOUSING ASSY (USBL ON 206-040-002-005) (REPLACED BY 206-040-052-005, -009 AND -105)	1	0	C
38	206-040-052-005	.HOUSING ASSY (USBL ON 206-040-002-005, -013, -015 AND -025) (REPLACES 206-040-052-003) (REPLACED BY 206-040-052-009 AND -105)	1	0	H
38	206-040-052-009	.HOUSING ASSY (NOTE 3) (USBL ON 206-040-002-005, . . -013, -015, -025, -027 AND -029) (REPLACES 206-040-052-003 AND -005) (REPLACED BY 206-040-052-105)	1	1	
38	206-040-052-105	.HOUSING ASSY (REPLACES 206-040-052-003, -005 . . . AND -009)	1	1	
39	AN814-4DL	. . PLUG (REPLACED BY AN814-4WL)	1	1	
39	AN814-4WL	. . PLUG (REPLACES AN814-4DL)	1		
40	NAS617-4	. . PACKING, PREFORMED (NOTE 1) (REPLACED BY M83248/1-904)	1		
40	M83248/1-904	. . PACKING, PREFORMED (NOTE 1) (REPLACES NAS617-4)	1	1	
41	MS29561-110	.PACKING, PREFORMED (NOTE 1) (REPLACED BY M83248/1-110)	2		
41	M83248/1-110	.PACKING, PREFORMED (NOTE 1) (REPLACES MS29561-110)	2	1	
42	206-040-064-001	.TUBE	1	1	
43	451509H19	.SEAL (NOTE 1, 2)	1	0	
44	2822-22612	.SEAL (NOTE 2, 3) (REPLACED BY 2822-2612)	1		
44	2822-2612	.SEAL (NOTE 2, 3) (REPLACES 2822-22612)	1		
45	29810-80003	.WEAR SLEEVE (NOTE 2, 3)	1		
46	M83248-1-144	.PACKING, PREFORMED (NOTE 1, 3, 4) (REPLACED BY . . . M83248/1-144)	1	0	
46	M83248/1-144	.PACKING, PREFORMED (NOTE 1, 3, 4) (REPLACES M83248-1-144)	1	1	
47	206-040-155-001	.SPACER (NOTE 3, 4)	1	0	
48	206-040-156-001	.SEAL ASSY (NOTE 3, 4)	1	1	
48	206-040-156-101	.SEAL ASSY (NOTE 4)	1	1	
49	151-517	. . PACKING, PREFORMED	1	1	
50	144-517	. . PACKING, PREFORMED	1	1	
51	UR325BX	.RETAINER (USBL ON 206-040-002-005, -013, -015, . . AND -025)	1	1	
52	MS29561-243	.PACKING, PREFORMED (NOTE 1) (REPLACED BY M83248/1-243)	1		

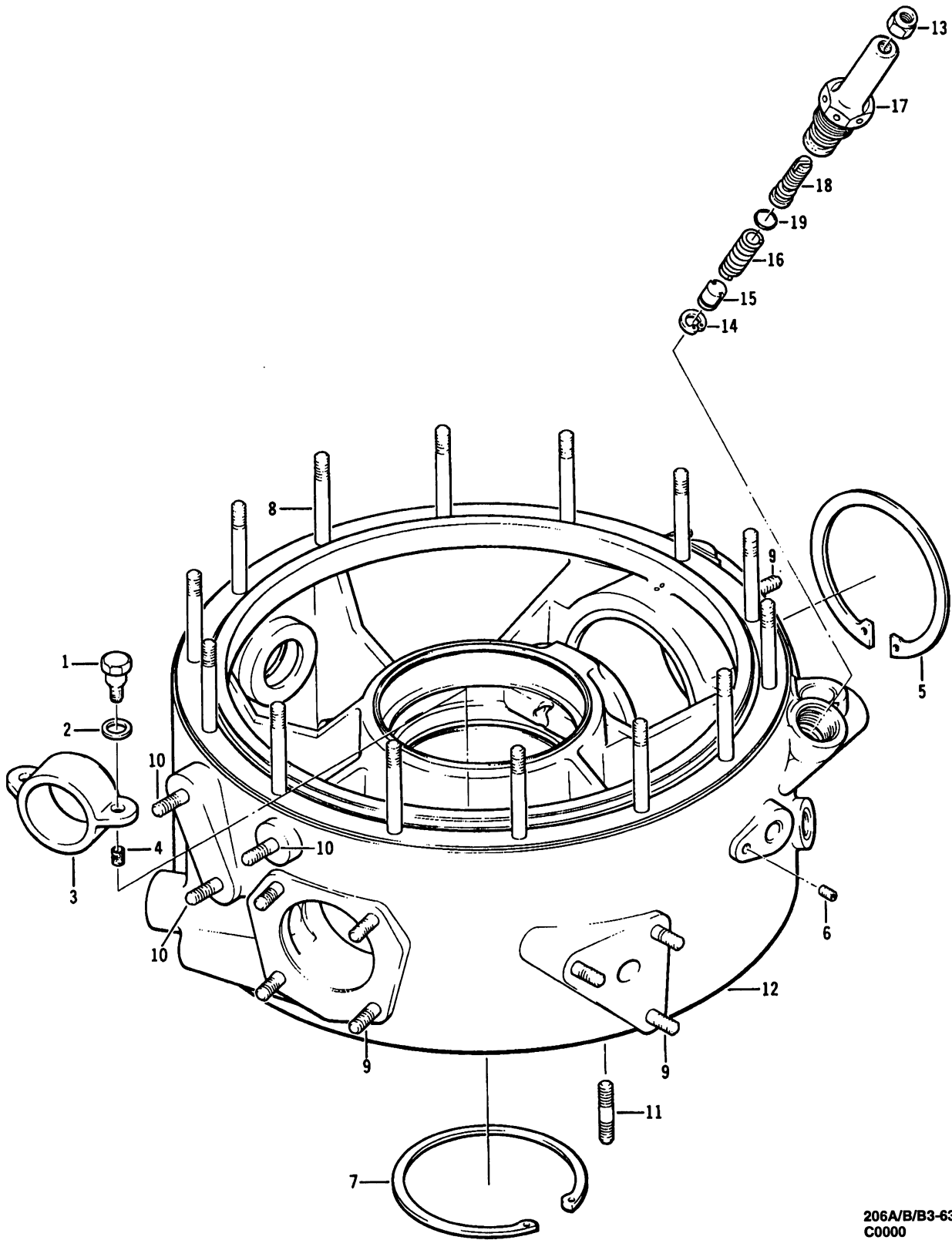
(1) INDEX NUMBER	(2) PART NUMBER	(3) ITEM NAME	(4) UNIT PER ASSY	(5) A V A I L	(6) U O C
		FIGURE: 63-5. Transmission assembly (Cont'd)			
52	M83248/1-243	.PACKING, PREFORMED (NOTE 1) (REPLACES MS29561-243)	1	1	
53	206-040-086-001	.SHIM	1	1	
54	206-040-030-001	.BEARING (ALTERNATE PART)	1	1	
54	206-040-030-101	.BEARING	1		
55	206-040-020-003	.GEAR ASSY (REPLACED BY 206-040-020-009, -103 AND -105)	1	0	H
55	206-040-020-009	.GEAR ASSY (REPLACES 206-040-020-003) (REPLACED BY 206-040-020-103 AND -105)	1	0	J
55	206-040-020-103	.GEAR ASSY (REPLACES 206-040-020-003 AND -009) (REPLACED BY 206-040-020-105)	1		K
55	206-040-020-105	.GEAR ASSY (REPLACES 206-040-202-003, -009 AND -103)	1	1	
56	11-SHORT	..CORK	1		
57	RR244BX	.RETAINER (REPLACED BY RR-244BX)	1	0	
57	RR-244BX	.RETAINER (REPLACES RR244BX)	1	1	
58	206-040-031-001	.BEARING (ALTERNATE PARTS)	1	1	
58	206-040-031-003	.BEARING	1	1	
58	206-040-031-101	.BEARING	1		
58	206-040-031-105	.BEARING	1	1	
58	206-040-031-107	.BEARING	1		
59	AN919-6D	.REDUCER (REPLACED BY 50-075-1)	1	1	
59	50-075-1	.FILTER (REPLACES AN919-6D)	1	1	
60	NAS617-6	.PACKING, PREFORMED (NOTE 1) (REPLACED BY M83248/1-906)	1		
60	M83248/1-906	.PACKING, PREFORMED (NOTE 1) (REPLACES NAS617-6)	1	1	
61	206-040-088-005	.VALVE ASSY (SEE FIG. 6 FOR BREAKDOWN)	1	1	
62	NAS617-10	.PACKING, PREFORMED (NOTE 1) (REPLACED BY M83248/1-910)	1		
62	M83248/1-910	.PACKING, PREFORMED (NOTE 1) (REPLACES NAS617-10)	1	0	
63	MS29561-017	.PACKING, PREFORMED (NOTE 1) (REPLACED BY M83248/1-017)	1	1	
63	M83248/1-017	.PACKING, PREFORMED (NOTE 1) (REPLACES MS29561-017)	1	1	
64	MS35266-61	.SCREW	1	1	
65	MS35266-94	.SCREW	1	1	
66	PRP110 5-16	.DYNA-SEAL (NOTE 1)	1	0	
67	MS29561-010	.PACKING, PREFORMED (NOTE 1) (REPLACED BY M83248/1-010)	1		
67	M83248/1-010	.PACKING, PREFORMED (NOTE 1) (REPLACES MS29561-010)	1	1	
68	MS29561-011	.PACKING, PREFORMED (NOTE 1) (REPLACED BY M83248/1-011)	1		
68	M83248/1-011	.PACKING, PREFORMED (NOTE 1) (REPLACES MS29561-011)	1	1	
69	MS29561-012	.PACKING, PREFORMED (NOTE 1) (REPLACED BY M83248/1-012)	1		

(1) INDEX NUMBER	(2) PART NUMBER	(3) ITEM NAME	(4) UNIT PER ASSY	(5) A V A I L	(6) U O C
		FIGURE: 63-5. Transmission assembly (Cont'd)			
69	M83248/1-012	.PACKING, PREFORMED (NOTE 1) (REPLACES MS29561-012)	1	1	
70	MS29561-013	.PACKING, PREFORMED (NOTE 1) (REPLACED BY M83248/1-013)	1		
70	M83248/1-013	.PACKING, PREFORMED (NOTE 1) (REPLACES MS29561-013)	1	0	
71	206-040-096-001	.JET ASSY NO. 1 (USBL ON 206-040-002-005 AND -015)	1	0	CE
71	206-040-133-009	.JET ASSY NO. 1 (USBL ON 206-040-002-013)	1	1	F
71	206-040-133-005	.JET ASSY NO. 1 (USBL ON 206-040-002-025, -027, -029 AND -115)	1	1	Q
72	MS28034-3	.BULB, TRANSMITTER	1	1	
73	NAS617-4	.PACKING, PREFORMED (NOTE 1) (REPLACED BY M83248/1-904)	1		
73	M83248/1-904	.PACKING, PREFORMED (NOTE 1) (REPLACES NAS617-4)	1	1	
74	206-040-083-001	.RETAINER	1	1	
75	NAS617-8	.PACKING, PREFORMED (NOTE 1) (REPLACED BY M83248/1-908)	1		
75	M83248/1-908	.PACKING, PREFORMED (NOTE 1) (REPLACES NAS617-8)	1	1	
76	206-040-084-001	.SPRING	1	1	
77	206-040-082-001	.VALVE	1	1	
78	12411-2-230	.THERMOSWITCH	1	0	
		(ALTERNATE PART)			
78	214-040-805-001	.THERMOSWITCH	1	1	
79	NAS617-3	.PACKING, PREFORMED (NOTE 1) (REPLACED BY M83248/1-903)	1		
79	M83248/1-903	.PACKING, PREFORMED (NOTE 1) (REPLACES NAS617-3)	1	1	
80	MS21042L4	.NUT	3	1	
81	AN960-416L	.WASHER (REPLACED BY NAS1149F0432P)	3	1	
81	NAS1149F0432P	.WASHER (REPLACES AN960-416L)	3		
82	NAS1197-416L	.WASHER	3	1	
83	206-040-196-001	.GASKET (NOTE 1)	1	1	
84	206-040-195-001	.FILTER HEAD (USBL ON 206-040-002-005 AND -015)	1	1	CE
85	206-040-095-009	.CLAMP ASSY (USBL ON 206-040-002-005 AND -015)	1	1	CE
86	168459	.FILTER ASSY (USBL ON 206-040-002-005 AND -015)	1	1	CE
87	MS21042L5	.NUT	2	1	P
88	AN960-516L	.WASHER (REPLACED BY NAS1149F0532P)	2	1	P
88	NAS1149F0532P	.WASHER (REPLACES AN960-516L)	2		P
89	NAS1197-516	.WASHER	2	1	P
90	206-040-129-001	.HOUSING ASSY (USBL ON 206-040-002-013, -025, -027, -029 AND -115)	1	1	P
		(ALTERNATE PART)			
90	214-040-515-001	.HOUSING ASSY (USBL ON 206-040-002-013, -025, -027, -029 AND -115)	1	6	P
91	MS29561-236	.PACKING, PREFORMED (NOTE 1) (REPLACED BY M83248/1-236)	1		P
91	M83248/1-236	.PACKING, PREFORMED (NOTE 1) (REPLACES MS29561-236)	1	1	P
92	206-040-128-001	.ELEMENT	1	1	P

(1) INDEX NUMBER	(2) PART NUMBER	(3) ITEM NAME	(4) UNIT PER ASSY	(5) A V A I L	(6) U O C
		FIGURE: 63-5. Transmission assembly (Cont'd)			
93	MS29561-024	. PACKING, PREFORMED (NOTE 1) (REPLACED BY M83248/1-024)	1		P
93	M83248/1-024	. PACKING, PREFORMED (NOTE 1) (REPLACES MS29561-024)	1	1	P
94	A3221	. OIL MONITOR	1	0	P
95	M83248/1-906	. . PACKING, PREFORMED (NOTE 1)	1	1	
96	NAS617-12	. PACKING, PREFORMED (NOTE 1) (REPLACED BY M83248/1-912)	1		P
96	M83248/1-912	. PACKING, PREFORMED (NOTE 1) (REPLACES NAS617-12)	1	1	P
97	A3237	. DRAIN VALVE	1	1	P
98	M83248/1-902	. . PACKING, PREFORMED (NOTE 1)	1	1	P
99	NAS617-6	. PACKING, PREFORMED (NOTE 1) (REPLACED BY M83248/1-906)	1		P
99	M83248/1-906	. PACKING, PREFORMED (NOTE 1) (REPLACES NAS617-6) .	1	1	P
100	206-040-126-001	. HEAD ASSY (USBL ON 206-040-002-013, -025, -027, . . -029 AND -115)	1	1	P
101	AN126529	. . STUD, .003 OVERSIZE	2	1	
101	AN126530	. . STUD, .006 OVERSIZE	2	6	
101	AN126531	. . STUD, .009 OVERSIZE	2	6	
101	AN126532	. . STUD, .012 OVERSIZE	2	6	
102	MS16625-1062	. . RETAINER	1	1	
103	204-040-839-001	. . PLUG	1	1	
104	MS29561-014	. . PACKING, PREFORMED (NOTE 1) (REPLACED BY M83248/1-014)	1		
104	M83248/1-014	. . PACKING, PREFORMED (NOTE 1) (REPLACES MS29561-014)	1	1	
105	AN310-4	. NUT	4	1	
106	AN960-416	. WASHER (REPLACED BY NAS1149F0463P)	4	1	
106	NAS1149F0463P	. WASHER (REPLACES AN960-416)	4		
107	206-031-509-001	. PIN ASSY (USBL ON 206-040-002-005)	1		B
107	206-031-509-005	. PIN ASSY (REPLACED BY 206-031-509-101, -103 AND . . 206-031-633-101)	1		N
107	206-031-509-101	. PIN ASSY (REPLACES 206-031-509-005) (REPLACED . . . BY 206-031-509-103 AND 206-031-633-101)	1	0	R
107	206-031-509-103	. PIN ASSY (REPLACES 206-031-501-005 AND -101) (REPLACED BY 206-031-633-101)	1	1	S
107	206-031-633-101	. PIN ASSY (REPLACES 206-031-509-005, -101 AND -103)	1		
108	BHDR8000	. . BEARING (USBL ON 206-031-509-001) (ALTERNATE PART)	1		
108	KW88SS	. . BEARING (USBL ON 206-031-509-001)	1		
108	BSH16ATC32	. . BEARING (USBL ON 206-031-509-005, -101 AND -103) (ALTERNATE PARTS)	1	0	
108	TFA108	. . BEARING (USBL ON 206-031-501-005, -101 AND -103) (REPLACED BY MS14102-8)	1		
108	MS14102-8	. . BEARING (USBL ON 206-031-501-005, -101 AND -103) (REPLACES TFA108)	1	1	

(1) INDEX NUMBER	(2) PART NUMBER	(3) ITEM NAME	(4) UNIT PER ASSY	(5) A V A I L	(6) U O C
		FIGURE: 63-5. Transmission assembly (Cont'd)			
108	BSH16ATC32ZM	..BEARING (USBL ON 206-031-501-005, -101 AND -103)	1		
109	206-031-513-001	..BUSHING (USBL ON 206-031-509-001 AND -005)	1	0	
109	206-031-513-101	..BUSHING (USBL ON 206-031-509-101 AND -103)	1	1	
110	RR512C	.RETAINER (REPLACED BY M27426-3214B)	1		
110	M27426-3214B	.RETAINER (REPLACES RR512C)	1	1	
111	MS29561-248	.PACKING, PREFORMED (NOTE 1) (REPLACED BY M83248/1-248)	1		
111	M83248/1-248	.PACKING, PREFORMED (NOTE 1) (REPLACES MS29561-248)	1	1	
112	206-040-152-001	.SUPPORT ASSY	1	1	
113	MS20068-141	.KEY	1	1	
114	206-040-037-001	.BEARING	1	1	
		(ALTERNATE PART)			
114	206-040-037-101	.BEARING	1	1	
115	RR295BX	.RETAINER (REPLACED BY RR-295BX)	1		
115	RR-295BX	.RETAINER (REPLACES RR295BX) (REPLACED BY RR-295-BX)	1	1	
115	RR-295-BX	.RETAINER (REPLACES RR-295BX)	1		
116	206-040-046-003	.NUT	1	1	
117	206-040-538-001	.CLIP, SPRING (USBL ON 206-040-002-029, -027 AND . . -115) (REPLACED BY 206-040-538-101)	1		
117	206-040-538-101	.CLIP, SPRING (USBL ON 206-040-002-029, -027 AND . . -115) (REPLACES 206-040-538-001)	1	1	
118	206-040-045-001	.NUT (USBL ON 206-040-002-005, -015, -013 AND -025)	1	1	
119	206-040-539-003	.NUT (USBL ON 206-040-002-029 AND -027)	1	1	
119	400-040-082-103	.NUT (USBL ON 206-040-002-115)	1	1	
120	406-040-452-101	.PELLET (USBL ON 206-040-002-115)	2	1	
121	206-040-032-001	.BEARING	1	1	
		(ALTERNATE PARTS)			
121	206-040-032-101	.BEARING	1		
121	206-040-032-105	.BEARING	1	1	
122	AN815-5D	.UNION	1	1	
123	NAS617-5	.PACKING, PREFORMED (NOTE 1) (REPLACED BY M83248/1-905)	1		
123	M83248/1-905	.PACKING, PREFORMED (NOTE 1) (REPLACES NAS617-5) .	1	1	
124	206-040-150-001	.CASE ASSY, MAIN TRANSMISSION (SEE FIG. 6 FOR BREAKDOWN) (USBL ON 206-040-002-029) (REPLACED BY 206-040-150-029)	1		C
124	206-040-150-029	.CASE ASSY, MAIN TRANSMISSION (NOTE 5) (SEE FIG. . . 6 FOR BREAKDOWN) (REPLACES 206-040-150-001)	1	1	
	206-1732-8	SEAL KIT, XMSN	1		
		NOTE 1: INCLUDED IN P/N 206-1732-8 SEAL KIT, XMSM.			
		NOTE 2: 206-040-048-003 ADAPTER, 2822-22612 SEAL AND 29810-8003 WEAR SLEEVE AS A UNIT REPLACES 206-040-048-001 ADAPTER AND 451509H19 SEAL AS A UNIT.			

(1) INDEX NUMBER	(2) PART NUMBER	(3) ITEM NAME	(4) UNIT PER ASSY	(5) A V A I L	(6) U O C																																																						
		<p>FIGURE: 63-5. Transmission assembly (Cont'd)</p> <p>NOTE 3: 206-040-156-001 SEAL ASSY, 206-040-155-001 SPACER, MS3248-1-144 O-RING AND 206-040-052-009 HOUSING ASSY AS A UNIT REPLACES 29810-8003 WEAR SLEEVE AND 2822-22612 SEAL AS A UNIT.</p> <p>NOTE 4: 206-040-156-101 SEAL ASSY REPLACES 206-040-156-001 SEAL ASSY, 206-040-155-001 SPACER AND M83248/1-144 PACKING AS A UNIT.</p> <p>NOTE 5: WHEN 206-040-150-029 CASE ASSY IS USED ON THE 206-040-002-005 TRANSMISSION ASSY, INSTALL THE B-3182B AND B-3188B CHIP DETECTORS AND NAS617-8 AND NAS617-6 PACKING IN LIEU OF B-734 OR B-148 DRAIN PLUG AND NAS617-8 PACKING.</p> <p style="text-align: center;">USABLE ON CODES</p> <table border="0" style="width: 100%;"> <thead> <tr> <th style="text-align: left;">CODE</th> <th style="text-align: left;">MODEL</th> <th style="text-align: left;">SERIAL NUMBER</th> </tr> </thead> <tbody> <tr><td>A</td><td>206A</td><td>4-153</td></tr> <tr><td>B</td><td>206A</td><td>4-253</td></tr> <tr><td>C</td><td>206A</td><td>4-583</td></tr> <tr><td>D</td><td>206A</td><td>154-583</td></tr> <tr><td>E</td><td>206A/B</td><td>584-913</td></tr> <tr><td>F</td><td>206A/B</td><td>914-1251</td></tr> <tr><td>G</td><td>206A/B/BIII</td><td>4-2058</td></tr> <tr><td>H</td><td>206A/B/BIII</td><td>4-3830</td></tr> <tr><td>J</td><td>206A/B/BIII</td><td>4-3904</td></tr> <tr><td>K</td><td>206A/B/BIII</td><td>4-4286</td></tr> <tr><td>L</td><td>206A/B/BIII</td><td>4-4405</td></tr> <tr><td>M</td><td>206A/B/BIII</td><td>4-4497</td></tr> <tr><td>N</td><td>206A/B/BIII</td><td>254-2970</td></tr> <tr><td>P</td><td>206B/BIII</td><td>914-SUB</td></tr> <tr><td>Q</td><td>206B/BIII</td><td>1252-SUB</td></tr> <tr><td>R</td><td>206A/B/BIII</td><td>254-3908</td></tr> <tr><td>S</td><td>206A/B/BIII</td><td>254-4506</td></tr> </tbody> </table> <p>1) UNLESS A USABLE ON PART NUMBER IS LISTED IN THE ITEM NAME COLUMN; NO CODE INDICATES THE PART APPLIES TO ALL SERIAL NUMBERS.</p> <p>2) IF THE SERIAL NUMBER IS BLANK THE PART APPLIES TO ALL SERIAL NUMBERS FOR THAT MODEL.</p>	CODE	MODEL	SERIAL NUMBER	A	206A	4-153	B	206A	4-253	C	206A	4-583	D	206A	154-583	E	206A/B	584-913	F	206A/B	914-1251	G	206A/B/BIII	4-2058	H	206A/B/BIII	4-3830	J	206A/B/BIII	4-3904	K	206A/B/BIII	4-4286	L	206A/B/BIII	4-4405	M	206A/B/BIII	4-4497	N	206A/B/BIII	254-2970	P	206B/BIII	914-SUB	Q	206B/BIII	1252-SUB	R	206A/B/BIII	254-3908	S	206A/B/BIII	254-4506			
CODE	MODEL	SERIAL NUMBER																																																									
A	206A	4-153																																																									
B	206A	4-253																																																									
C	206A	4-583																																																									
D	206A	154-583																																																									
E	206A/B	584-913																																																									
F	206A/B	914-1251																																																									
G	206A/B/BIII	4-2058																																																									
H	206A/B/BIII	4-3830																																																									
J	206A/B/BIII	4-3904																																																									
K	206A/B/BIII	4-4286																																																									
L	206A/B/BIII	4-4405																																																									
M	206A/B/BIII	4-4497																																																									
N	206A/B/BIII	254-2970																																																									
P	206B/BIII	914-SUB																																																									
Q	206B/BIII	1252-SUB																																																									
R	206A/B/BIII	254-3908																																																									
S	206A/B/BIII	254-4506																																																									

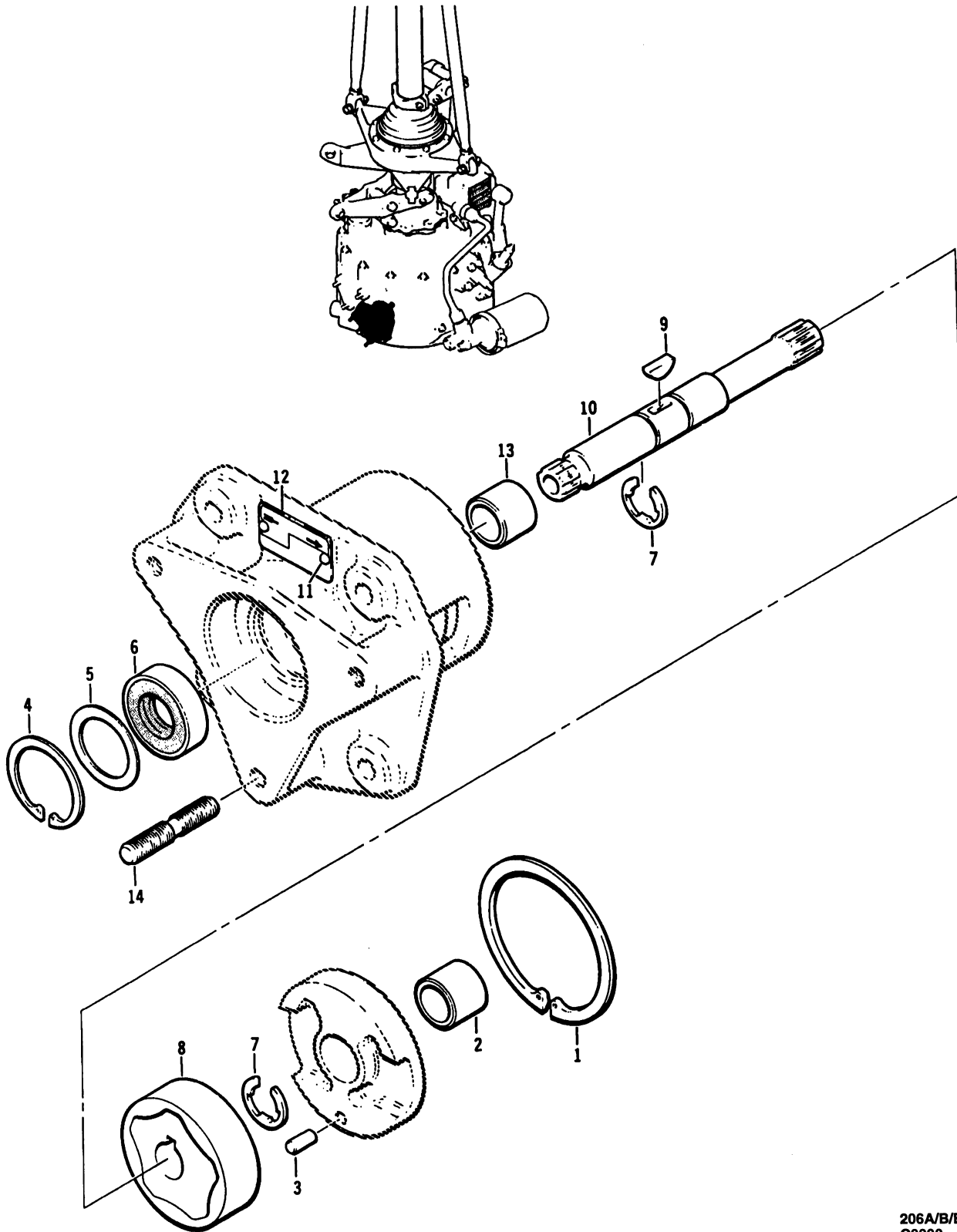


206A/B/B3-63-1006
C0000

Figure 63-6. Case and valve assembly, main transmission

(1) INDEX NUMBER	(2) PART NUMBER	(3) ITEM NAME	(4) UNIT PER ASSY	(5) A V A I L	(6) C O C
FIGURE: 63-6. Case and valve assembly, main transmission					
	206-040-150-001	CASE ASSY, MAIN TRANSMISSION (SEE FIG. 5 FOR NHA) . . . (USBL ON 206-040-002-029) (REPLACED BY 206-040-150-029)	REF		A
	206-040-150-029	CASE ASSY, MAIN TRANSMISSION (SEE FIG. 5 FOR NHA) . . . (REPLACES 206-040-150-001)	REF	1	
1	206-040-092-003	.BOLT	2	1	
2	AN960-616L	.WASHER (REPLACED BY NAS1149F0632P)	2	1	
2	NAS1149F0632P	.WASHER (REPLACES AN960-616L)	2		
3	206-040-091-003	.HOUSING	1	1	
4	MS124696	.INSERT	2	1	
5	206-040-150-007	.SHIM PLATE (NOTE 1) (REPLACED BY MS16625-3375) . . .	1	6	
5	MS16625-3375	.RETAINER (NOTE 1) (REPLACES 206-040-150-007) . . .	1	6	
6	MS124695	.INSERT	1	1	
7	206-040-150-005	.SHIM PLATE (NOTE 2) (REPLACED BY MS16625-3412) . . .	1	6	
7	MS16625-3412	.RETAINER (NOTE 2) (REPLACES 206-040-150-005) . . .	1	6	
8	AN126114	.STUD, STANDARD (NOTE 1)	14	1	
8	AN126115	.STUD, .003 OVERSIZE (NOTE 1)	14	1	
8	AN126116	.STUD, .006 OVERSIZE (NOTE 1)	14	1	
8	AN126117	.STUD, .009 OVERSIZE (NOTE 1)	14	1	
8	AN126118	.STUD, .012 OVERSIZE (NOTE 1)	14	1	
9	AN126000	.STUD, STANDARD (NOTE 1)	13	1	
9	AN126001	.STUD, .003 OVERSIZE (NOTE 1)	13	1	
9	AN126002	.STUD, .006 OVERSIZE (NOTE 1)	13	1	
9	AN126003	.STUD, .009 OVERSIZE (NOTE 1)	13	1	
9	AN126004	.STUD, .012 OVERSIZE (NOTE 1)	13	1	
10	AN126318	.STUD, STANDARD (NOTE 1)	3	1	
10	AN126319	.STUD, .003 OVERSIZE (NOTE 1)	3	1	
10	AN126320	.STUD, .006 OVERSIZE (NOTE 1)	3	1	
10	AN126321	.STUD, .009 OVERSIZE (NOTE 1)	3	1	
10	AN126322	.STUD, .012 OVERSIZE (NOTE 1)	3	1	
11	AN128406	.STUD, STANDARD (NOTE 1)	4	1	
11	AN128407	.STUD, .003 OVERSIZE (NOTE 1)	4	1	
11	AN128408	.STUD, .006 OVERSIZE (NOTE 1)	4	1	
11	AN128409	.STUD, .009 OVERSIZE (NOTE 1)	4	6	
11	AN128410	.STUD, .012 OVERSIZE (NOTE 1)	4	6	
12	206-040-150-003	.CASE (USBL ON 206-040-150-001)	1		A
12	206-040-150-031	.CASE (USBL ON 206-040-150-029) (REPLACED BY 206-040-150-105)	1		
12	206-040-150-105	.CASE (USBL ON 206-040-150-029) (REPLACES 206-0040-150-031)	1		
	206-040-088-005	VALVE ASSY (SEE FIG. 5 FOR NHA)	REF	1	
13	NAS1022D6	.NUT	1	1	
14	MS16625-1050	.RETAINER (REPLACED BY MS16625-3050)	1		
14	MS16625-3050	.RETAINER (REPLACES MS16625-1050)	1	1	
15	204-040-391-001	.PISTON	1	1	
16	204-040-227-001	.SPRING	1	1	
17	206-040-115-003	.BODY	1	1	
18	204-040-389-001	.SCREW	1	1	

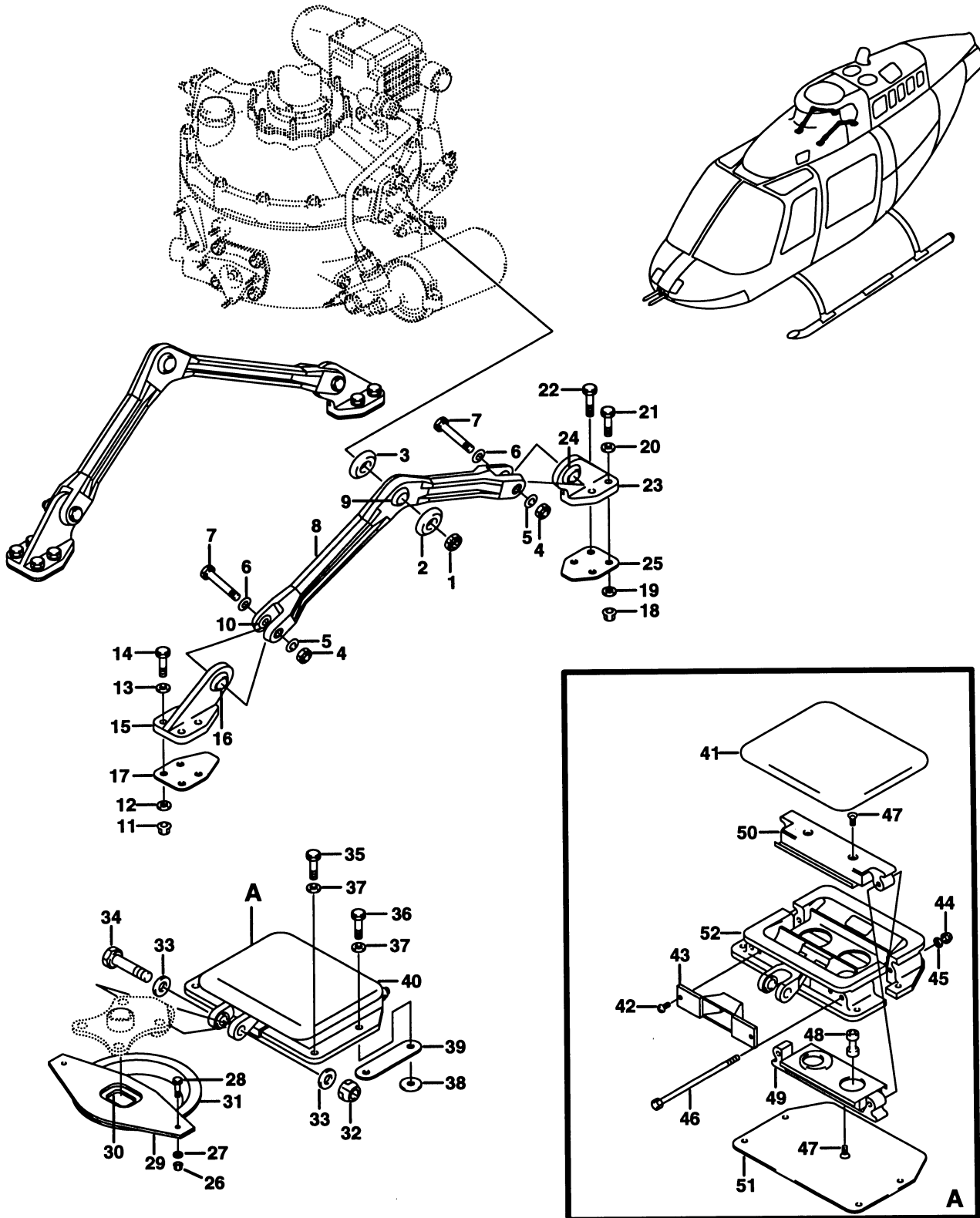
(1) INDEX NUMBER	(2) PART NUMBER	(3) ITEM NAME	(4) UNIT PER ASSY	(5) A V A I L	(6) U O C
		FIGURE: 63-6. Case and valve assembly, main transmission (Cont'd)			
19	MS29561-011	.PACKING, PREFORMED (NOTE 3) (REPLACED BY M83248/1-011)	1		
19	M83248/1-011	.PACKING, PREFORMED (NOTE 3) (REPLACES MS29561-011)	1	1	
	206-1732-8	.SEAL KIT, XMSN	1		
		NOTE 1: REFER TO BHT 206 A/B CR & O FOR USAGE.			
		NOTE 2: REFER TO BHT 206 A/B CR & O TO DETERMINE PROPER DIMENSIONS.			
		NOTE 3: INCLUDED IN P/N 206-1732-8 SEAL KIT, XMSN			
		USABLE ON CODES			
		CODE MODEL SERIAL NUMBER			
		A 206A 4-583			
		1) UNLESS A USABLE ON PART NUMBER IS LISTED IN THE ITEM NAME COLUMN; NO CODE INDICATES THE PART APPLIES TO ALL SERIAL NUMBERS.			
		2) IF THE SERIAL NUMBER IS BLANK THE PART APPLIES TO ALL SERIAL NUMBERS FOR THAT MODEL.			



206A/B/B3-63-1007
C0000

Figure 63-7. Pump assembly, oil

(1) INDEX NUMBER	(2) PART NUMBER	(3) ITEM NAME	(4) UNIT PER ASSY	(5) A V A I L	(6) U O C
		FIGURE: 63-7. Pump assembly, oil			
	206-040-184-001	PUMP ASSY, OIL (SEE FIG. 5 FOR NHA)	REF		
1	38-18313-0193-2	.RETAINER	1		
	32-53005-0007-1	.HEAD ASSY	1		
2	35-16003-00001-1	..PIN	1		
3	36-04503-0043-1	..BEARING	1		
4	38-18307-0102-2	.RETAINER	1		
5	35-62320-0005-1	.SHAFT	1		
6	0S050-100-8P	.SEAL (REPLACED BY 5-050-100-8-380401)	1		
6	5-050-100-8-380401	.SEAL (REPLACES 0S050-100-8P)	1		
7	MS16632-3050	.RETAINER	2		
8	24-45100-0019-1	.GEROTOR ASSY	1		
9	35-56017-0038-1	.KEY	1		
10	35-79501-2005-3	.SHAFT	1		
11	38-18401-0001-1	.SCREW	1		
12	38-62010-0010-1	.NAME PLATE	1		
	32-54004-1011-2	.BODY ASSY	1		
13	36-04503-0043-1	..BEARING	1		
14	38-18309-0001-1	..STUD	1		

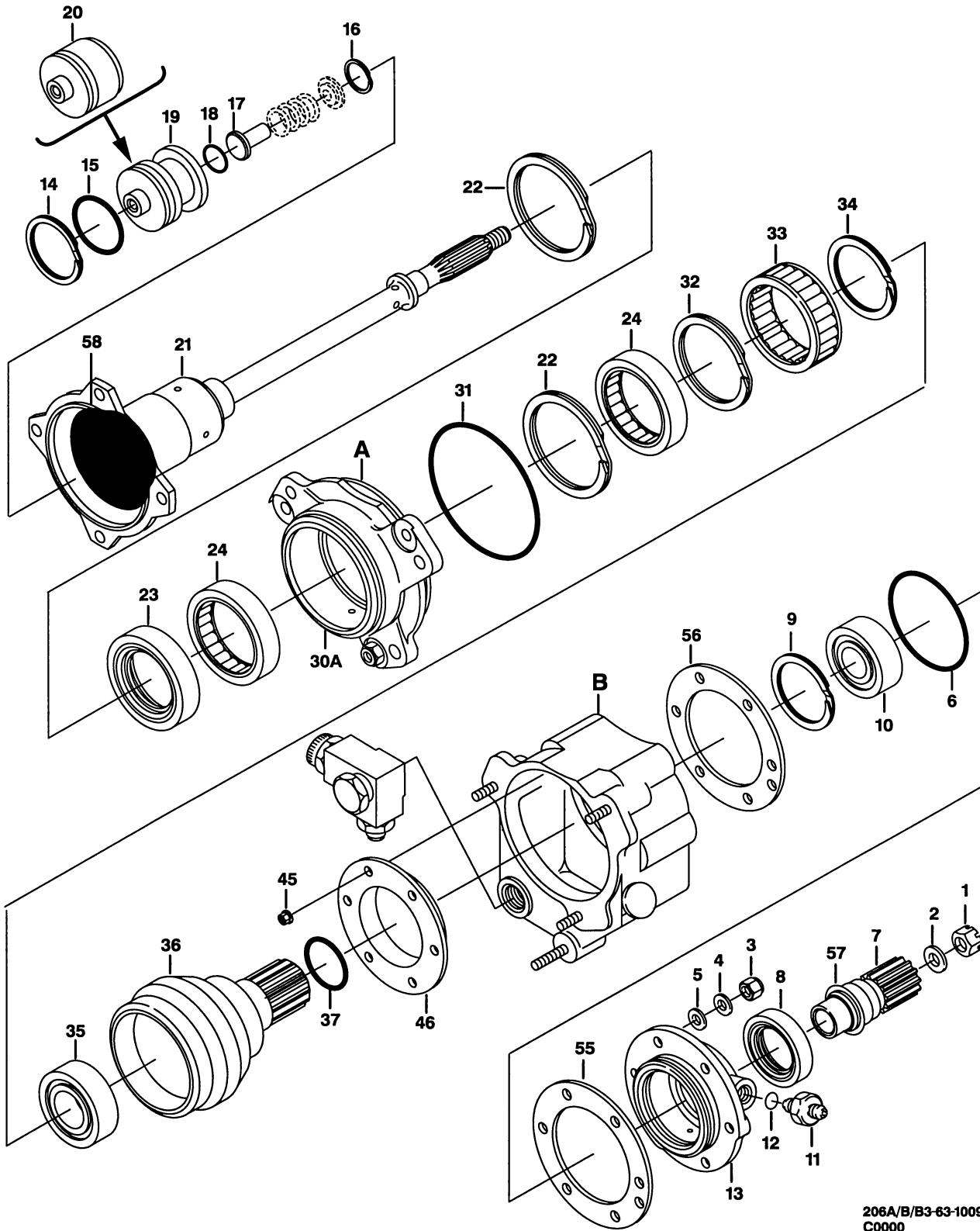


206A/B/B3-63-1008
C0000

Figure 63-8. Pylon support; transmission support and mount isolation installation

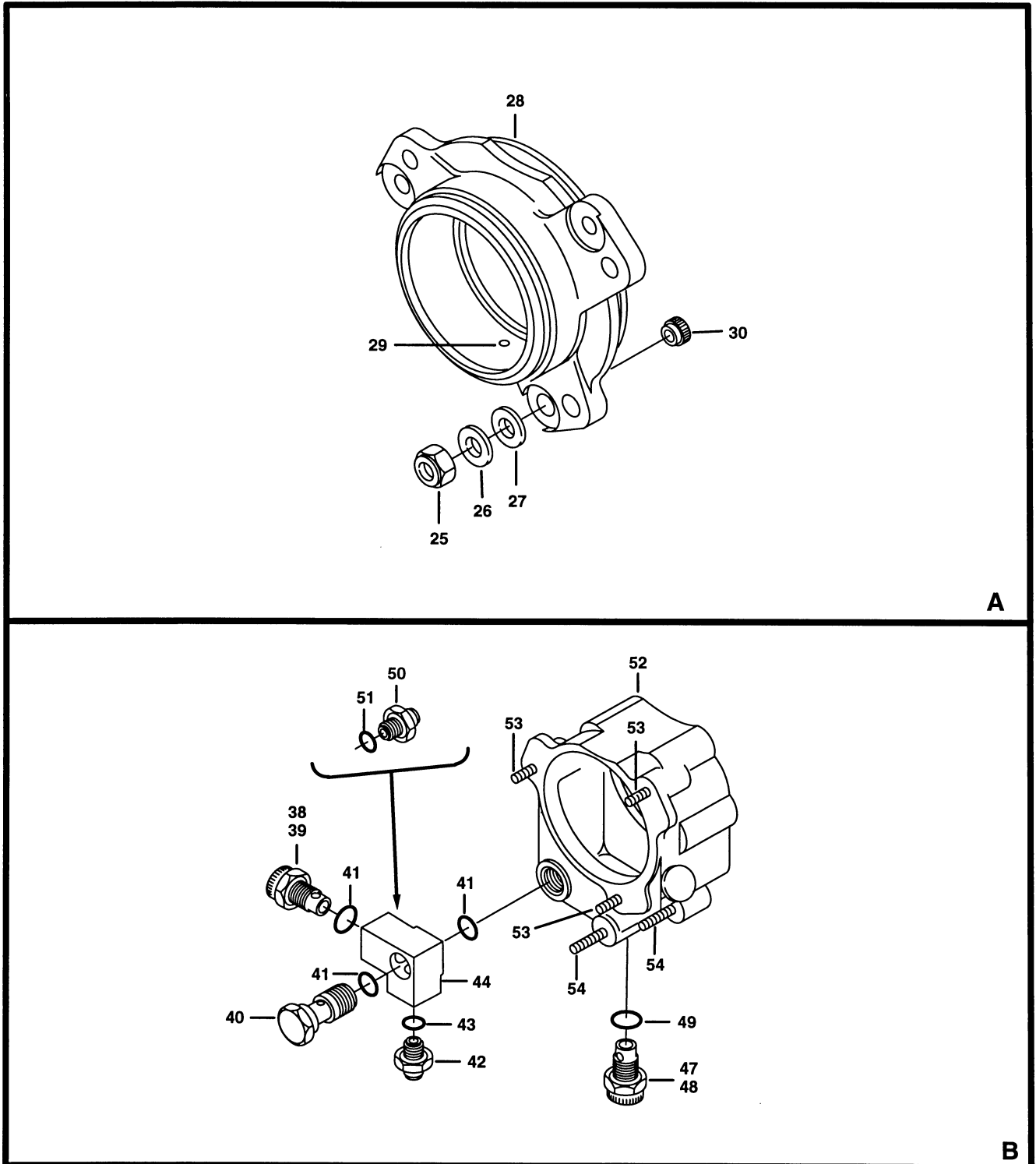
(1) INDEX NUMBER	(2) PART NUMBER	(3) ITEM NAME	(4) UNIT PER ASSY	(5) A V A I L	(6) U O C
		FIGURE: 63-8. Pylon support; transmission support and mount isolation installation			
	206-031-507-009	SUPPORT INSTL, LH PYLON	1		
	206-031-507-010	SUPPORT INSTL, RH PYLON	1		
1	AN320-8	.NUT	1		
2	206-030-505-001	.WASHER	1		
3	206-030-507-001	.WASHER	1		
4	NAS1291-7	.NUT	2		
5	AN960-716	.WASHER	2		
6	MS14155-7	.WASHER	2		
7	20-057-7-26	.BOLT	2		
8	206-031-589-001	.LINK ASSY	1		
9	206-031-590-001	..BEARING (REPLACED BY 206-031-590-003)	1		
9	206-031-590-003	..BEARING (REPLACES 206-031-590-001)	1		
10	206-031-564-003	..BUSHING	4		
11	MS21042L5	.NUT	4		
12	AN960JD516	.WASHER	4		
13	AN960-516	.WASHER (REPLACED BY NAS1149F0563P)	4		
13	NAS1149F0563P	.WASHER (REPLACES AN960-516)	4		
14	NAS1305-14	.BOLT (REPLACED BY NAS6605-14)	4		
14	NAS6605-14	.BOLT (REPLACES NAS1305-14)	4		
14	NAS6605-16	.BOLT (NOTE 1)	4		
15	206-031-593-001	.FITTING ASSY, FWD LH	1		
15	206-031-593-002	.FITTING ASSY, FWD RH	1		
16	206-031-594-001	..BEARING (REPLACED BY 206-031-594-003)	1		
16	206-031-594-003	..BEARING (REPLACES 206-031-594-001)	1		
17	206-031-512-001	.SHIM, FWD	1		
18	MS21042L5	.NUT	4		
19	AN960JD516	.WASHER	4		
20	AN960-516	.WASHER (REPLACED BY NAS1149F0563P)	4		
20	NAS1149F0563P	.WASHER (REPLACES AN960-516)	4		
21	NAS1305-14	.BOLT (REPLACED BY NAS6605-14)	3		
21	NAS6605-14	.BOLT (REPLACES NAS1305-14)	3		
21	NAS6605-16	.BOLT (NOTE 1)	3		
22	NAS6605-16	.BOLT	1		
22	NAS6605-18	.BOLT (NOTE 1)	1		
23	206-031-592-001	.FITTING ASSY, AFT LH	1		
23	206-031-592-002	.FITTING ASSY, AFT RH	1		
24	206-031-594-001	..BEARING (REPLACED BY 206-031-594-003)	1		
24	206-031-594-003	..BEARING (REPLACES 206-031-594-001)	1		
25	206-031-512-003	.SHIM, AFT	1		
	206-031-510-003	SUPPORT INSTL, STOP-MOUNT, XMSN	1		
26	MS21042L4	.NUT	2		
27	AN960JD416	.WASHER	2		
28	AN4-7A	.BOLT	2		
29	206-031-510-015	.PLATE	1		
30	206-031-570-001	.SUPPORT	1		
31	206-031-510-017	.PAN	1		
	206-031-505-003	MOUNT INSTL, ISOLATION	1		
32	AN310-8	.NUT	1		
33	AN960-816L	.WASHER (REPLACED BY NAS1149F0832P)	2		

(1) INDEX NUMBER	(2) PART NUMBER	(3) ITEM NAME	(4) UNIT PER ASSY	(5) A V A I L	(6) U O C
FIGURE: 63-8. Pylon support; transmission support and mount isolation installation (Cont'd)					
33	NAS1149F0832P	.WASHER (REPLACES AN960-816L)	2		
34	AN8-20	.BOLT	1		
35	NAS1304-10H	.BOLT (WHEN SHIM IS .041 OR LESS) (REPLACED BY NAS6604H10)	2		
35	NAS6604H10	.BOLT (WHEN SHIM IS .041 OR LESS) (REPLACES NAS1304-10H)	2		
35	NAS1304-11H	.BOLT (WHEN SHIM IS .041 TO .062) (REPLACED BY NAS6604H11)	2		
35	NAS6604H11	.BOLT (WHEN SHIM IS .041 TO .062) (REPLACES NAS1304-11H)	2		
36	NAS1304-12H	.BOLT (WHEN SHIM IS .052 OR LESS) (REPLACED BY NAS6604H12)	2		
36	NAS6604H12	.BOLT (WHEN SHIM IS .052 OR LESS) (REPLACES NAS1304-12H)	2		
36	NAS1304-13H	.BOLT (WHEN SHIM IS .052 OR LESS) (REPLACED BY NAS6604H13)	2		
36	NAS6604H13	.BOLT (WHEN SHIM IS .052 OR LESS) (REPLACES NAS1304-13H)	2		
37	AN960JD416	.WASHER	4		
38	120-035-32-8	.SHIM	4		
39	206-031-505-005	.SHIM	2		
40	206-030-539-003	.MOUNT ASSY	1		
(ALTERNATE PART)					
40	206-030-539-005	.MOUNT ASSY (REPLACED BY 206-030-539-101)	1		
40	206-030-539-101	.MOUNT ASSY (REPLACES 206-030-539-005)	1		
41	LM700-5	..BOOT (USBL ON 206-030-539-003)	1		
42	LM700-10	..SCREW, NYLOK (USBL ON 206-030-539-003)	2		
43	LM7000-38	..BOOT (USBL ON 206-030-539-003)	1		
44	LM7000-9	..NUT (USBL ON 206-030-539-003)	2		
45	LM7000-21	..WASHER (USBL ON 206-030-539-003)	2		
46	LM7000-8	..BOLT (USBL ON 206-030-539-003)	2		
47	LM7000-17	..SCREW (USBL ON 206-030-539-003)	4		
48	LM7000-16	..SPACER (USBL ON 206-030-539-003)	2		
49	LM7000-15	..MOUNTING (USBL ON 206-030-539-003)	1		
50	LM7000-14	..MOUNTING (USBL ON 206-030-539-003)	1		
51	LM7000-7	..PLATE (USBL ON 206-030-539-003)	1		
52	LM7000-2	..MOUNTING (USBL ON 206-030-539-003)	1		
NOTE 1: USED AS REQUIRED TO MAINTAIN PROPER GRIP LENGTH IN PROPORTION TO THE AMOUNT OF SHIM INSTALLED.					



206A/B/B3-63-1009-1
C0000

Figure 63-9. Freewheeling installation (S/N 4 thru 1413) (Sheet 1 of 2)



206A/B/B3-63-1009-2
C0000

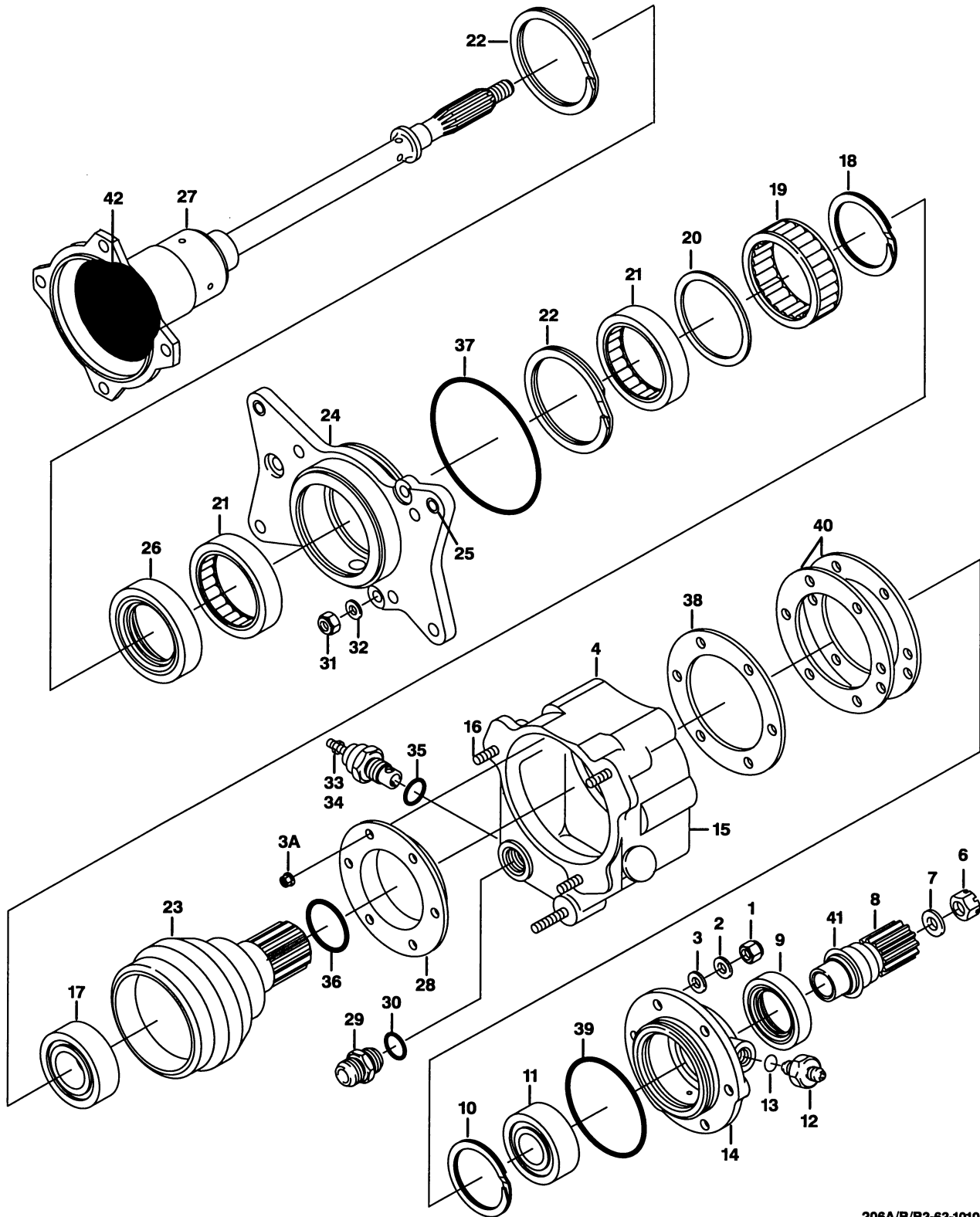
Figure 63-9. Freewheeling installation (S/N 4 thru 1413) (Sheet 2)

(1) INDEX NUMBER	(2) PART NUMBER	(3) ITEM NAME	(4) UNIT PER ASSY	(5) A V A I L	(6) U O C
		FIGURE: 63-9. Freewheeling installation (S/N 4 thru 1413)			
	206-040-230-011	FREEWHEELING INSTL	1		
	206-040-230-023	FREEWHEELING INSTL	1		
1	AN310-7	.NUT	1	1	
2	AN960-716	.WASHER (REPLACED BY NAS1149F0763P)	1	1	
2	NAS1149F0763P	.WASHER (REPLACES AN960-716)	1		
3	MS21042L4	.NUT	3	1	
4	AN960-416L	.WASHER (REPLACED BY NAS1149F0432P)	3	1	
4	NAS1149F0432P	.WASHER (REPLACES AN960-416L)	3		
5	NAS1197-416L	.WASHER	3	1	
6	MS29561-141	.PACKING, PREFORMED (NOTE 2) (REPLACED BY M83248/1-141)	1		
6	M83248/1-141	.PACKING, PREFORMED (NOTE 2) (REPLACES MS29561-141)	1		
	206-040-230-013	.FREEWHEELING ASSY (PRE T.B. 206-82-69) (NOTE 3) . . (USBL ON 206-040-230-011) (REPLACED BY 206-040-230-019)	1		A
	206-040-230-019	.FREEWHEELING ASSY (PRE T.B. 206-82-69) (NOTE 3) . . (USBL ON 206-040-230-011) (REPLACES 206-040-230-013)	1		A
	206-040-230-025	.FREEWHEELING ASSY (PRE T.B. 206-82-69) (NOTE 3) . . (USBL ON 206-040-230-023)	1	0	B
	206-040-230-017	..SUPPORT ASSY	1	0	
7	206-040-203-003	...ADAPTER	1	1	
8	450127H19	...SEAL (NOTE 2) (REPLACED BY 2890-51098 AND 206-340-104-101)	1		
8	2890-51098	...SEAL (NOTE 2) (REPLACES 450127H19) (REPLACED . . BY 206-340-104-101)	1	1	
8	206-340-104-101	...SEAL (NOTE 2) (REPLACES 450127H19 AND 2890-51098)	1		
9	RR185	...RETAINER (REPLACED BY M27426-314D)	1	0	
9	M27426-314D	...RETAINER (REPLACES RR185)	1		
10	206-040-207-001	...BEARING	1	1	
11	AN919-2D	...REDUCER	1	1	
12	NAS617-3	...PACKING, PREFORMED (NOTE 2) (REPLACED BY M83248/1-903)	1		
12	M83248/1-903	...PACKING, PREFORMED (NOTE 2) (REPLACES NAS617-3)	1	1	
13	206-040-241-001	...HOUSING ASSY	1	1	
	206-040-230-015	..SHAFT ASSY (USBL ON 206-040-230-013) (REPLACED . BY 206-040-230-021)	1	0	A
	206-040-230-021	..SHAFT ASSY (USBL ON 206-040-230-013 AND -019) . . (REPLACES 206-040-230-015)	1	0	A
	206-040-230-027	..SHAFT ASSY (USBL ON 206-040-230-025)	1	0	B
14	RR156	...RETAINER (REPLACED BY M27426-3139D)	1	1	
14	M27426-3139D	...RETAINER (REPLACES RR156)	1		
15	MS29561-219	...PACKING, PREFORMED (NOTE 2) (REPLACED BY M83248/1-219)	1	1	
15	M83248/1-219	...PACKING, PREFORMED (NOTE 2) (REPLACES MS29561-219)	1		
	206-040-247-001	...VENT ASSY (USBL ON 206-040-230-015)	1		

(1) INDEX NUMBER	(2) PART NUMBER	(3) ITEM NAME	(4) UNIT PER ASSY	(5) A V A I L	(6) U O C
		FIGURE: 63-9. Freewheeling installation (S/N 4 thru 1413) (Cont'd)			
	206-040-247-003	...VENT ASSY (USBL ON 206-040-230-021) (REPLACED BY 206-040-220-003)	1		
16	RR62	...RETAINER (REPLACED BY M27426-3105D)	1	1	
16	M27426-3105D	...RETAINER (REPLACES RR62)	1		
17	206-040-251-001	...VALVE	1		
18	NAS1593-111	...PACKING, PREFORMED	1	1	
19	206-040-249-001	...VALVE HOUSING (USBL ON 206-040-247-001)	1		
19	206-040-249-003	...VALVE HOUSING (USBL ON 206-040-247-003)	1	0	
20	206-040-220-003	...PLUG (USBL ON 206-040-230-021 AND -027) (REPLACES 206-040-247-003)	1	1	
21	206-040-222-003	...SHAFT	1		
22	RR268	...RETAINER (REPLACED BY M27426-3165D)	2	0	
22	M27426-3165D	...RETAINER (REPLACES RR268)	2		
23	451883-H19	...SEAL (NOTE 2) (REPLACED BY 206-340-104-101)	1		
23	206-340-104-101	...SEAL (NOTE 2) (REPLACES 451883-H19)	1		
24	206-040-205-001	...BEARING (REPLACED BY 206-040-205-005)	2	0	
24	206-040-205-005	...BEARING (REPLACES 206-040-205-001) (ALTERNATE PART)	2	1	
24	206-040-205-105	...BEARING	2	1	
25	MS21042L4	...NUT	3	1	
26	AN960-416L	...WASHER (REPLACED BY NAS1149F0432P)	3	1	
26	NAS1149F0432P	...WASHER (REPLACES AN960-416L)	3		
27	NAS1197-416L	...WASHER	3	1	
28	206-040-237-001	...CAP ASSY	1	1	
29	AN385-40P4	...PIN (REPLACED BY MS24692-76P)	3	0	
29	MS24692-76P	...PIN (REPLACES AN385-40P4)	3	1	
30	REA048	...NUT (REPLACED BY REA-048)	3	0	
30	REA-048	...NUT (REPLACES REA048)	3		
30A	206-040-224-001	...LINER	1		
31	MS29561-237	...PACKING, PREFORMED (NOTE 2) (REPLACED BY M83248/1-237)	1		
31	M83248/1-237	...PACKING, PREFORMED (NOTE 2) (REPLACES MS29561-237)	1	1	
32	206-040-204-001	...PLATE	1	1	
33	X136028	...CLUTCH ASSY (REPLACED BY CL-41742, CL-41742-1 AND CL42250-1)	1		
33	CL-41742	...CLUTCH ASSY (REPLACES X136028) (REPLACED BY CL-41742-1 AND CL42250-1)	1		
33	CL-41742-1	...CLUTCH ASSY (REPLACES X136028, CL-41742) (REPLACED BY CL42250-1)	1		
33	CL-42250-1	...CLUTCH ASSY (REPLACES X136028, CL-41742 AND CL-41742-1)	1		
34	RR204	...RETAINER (REPLACED BY M27426-3150D)	1		
34	M27426-3150D	...RETAINER (REPLACES RR204)	1		
35	206-040-206-001	...BEARING (ALTERNATE PART)	1	1	
35	206-040-206-101	...BEARING	1	1	
36	206-040-221-003	...SHAFT	1		

(1) INDEX NUMBER	(2) PART NUMBER	(3) ITEM NAME	(4) UNIT PER ASSY	(5) A V A I L	(6) U O C
		FIGURE: 63-9. Freewheeling installation (S/N 4 thru 1413) (Cont'd)			
37	MS29561-215	... PACKING, PREFORMED (NOTE 2) (REPLACED BY M83248/1-215)	1		
37	M83248/1-215	... PACKING, PREFORMED (NOTE 2) (REPLACES MS29561-215)	1		
38	B758R	... PLUG	1	1	
39	MS29561-011	... PACKING, PREFORMED (NOTE 2) (REPLACED BY M83248/1-011)	1		
39	M83248/1-011	... PACKING, PREFORMED (NOTE 2) (REPLACES MS29561-011)	1	1	
40	206-040-246-001	... BOLT (USBL ON 206-040-230-015 AND -021)	1	1	
41	NAS617-6	... PACKING, PREFORMED (NOTE 2) (USBL ON 206-040-230-015 AND -021) (REPLACED BY M83248/1-906)	3		
41	M83248/1-906	... PACKING, PREFORMED (NOTE 2) (USBL ON 206-040-230-015 AND -021) (REPLACES NAS617-6)	3	1	
42	AN815-5D	... UNION (USBL ON 206-040-230-015 AND -021)	1	1	
43	NAS617-5	... PACKING, PREFORMED (NOTE 2) (USBL ON 206-040-230-015 AND -021) (REPLACED BY M83248/1-905)	1		
43	M83248/1-905	... PACKING, PREFORMED (NOTE 2) (USBL ON 206-040-230-015 AND -021) (REPLACES NAS617-5)	1	1	
44	206-040-245-001	... FITTING (USBL ON 206-040-230-015 AND -021)	1	1	
45	MS21043-4	... NUT	6	1	
46	206-040-223-003	... BUSHING (REPLACED BY 206-040-223-101)	1	0	
46	206-040-223-101	... BUSHING (REPLACES 206-040-223-003)	1	1	
47	B758R	... PLUG (USBL ON 206-040-230-027)	1	1	
48	M83248/1-011	... PACKING, PREFORMED (USBL ON 206-040-230-027) . .	1	1	
49	NAS617-6	... PACKING, PREFORMED (USBL ON 206-040-230-027) . . (REPLACED BY M83248/1-906)	1		
49	M83248/1-906	... PACKING, PREFORMED (USBL ON 206-040-230-027) . . (REPLACES NAS617-6)	1	1	
50	AN815-5D	... UNION (USBL ON 206-040-230-027)	1	1	
51	NAS617-5	... PACKING, PREFORMED (USBL ON 206-040-230-027) . . (REPLACED BY M83248/1-905)	1		
51	M83248/1-905	... PACKING, PREFORMED (USBL ON 206-040-230-027) . . (REPLACES NAS617-5)	1	1	
52	206-040-236-005	... HOUSING ASSY (USBL ON 206-040-230-015 AND -019)	1		
52	206-040-236-009	... HOUSING ASSY (USBL ON 206-040-230-027)	1	6	
53	AN125983	... STUD, .003 OVERSIZE (NOTE 1)	3	1	
53	AN125984	... STUD, .006 OVERSIZE (NOTE 1)	3	1	
53	AN125985	... STUD, .009 OVERSIZE (NOTE 1)	3	1	
53	AN125986	... STUD, .012 OVERSIZE (NOTE 1)	3	1	
54	AN126025	... STUD, .003 OVERSIZE (NOTE 1)	2	1	
54	AN126026	... STUD, .006 OVERSIZE (NOTE 1)	2	1	
54	AN126027	... STUD, .009 OVERSIZE (NOTE 1)	2	1	
54	AN126028	... STUD, .012 OVERSIZE (NOTE 1)	2	1	
55	206-040-208-001	.SHIM	2	1	
56	206-040-229-001	.GASKET	1	1	

(1) INDEX NUMBER	(2) PART NUMBER	(3) ITEM NAME	(4) UNIT PER ASSY	(5) A V A I L	(6) U O C									
57 58	99106 99199 206-1734-6	<p>FIGURE: 63-9. Freewheeling installation (S/N 4 thru 1413) (Cont'd)</p> <p>SLEEVE KIT (POST T.B. 206-94-147) 1 SLEEVE KIT (POST T.B. 206-94-147) 1 SEAL KIT, FREEWHEELING 1</p> <p>NOTE 1: REFER TO BHT-206 A/B CR & 0 FOR USAGE.</p> <p>NOTE 2: PART OF SEAL KIT 206-1734-6.</p> <p>NOTE 3: FOR POST T.B. 206-82-69 P/N 206-040-270-003, SEE FIGURE 10 FOR BREAKDOWN.</p> <p style="text-align: center;">USABLE ON CODES</p> <table border="0" style="margin-left: auto; margin-right: auto;"> <thead> <tr> <th style="text-align: left;">CODE</th> <th style="text-align: left;">MODEL</th> <th style="text-align: left;">SERIAL NUMBER</th> </tr> </thead> <tbody> <tr> <td>A</td> <td>206A/B</td> <td>4-913</td> </tr> <tr> <td>B</td> <td>206B/BIII</td> <td>914-1413</td> </tr> </tbody> </table> <p>1) UNLESS A USABLE ON PART NUMBER IS LISTED IN THE ITEM NAME COLUMN; NO CODE INDICATES THE PART APPLIES TO ALL SERIAL NUMBERS.</p> <p>2) IF THE SERIAL NUMBER IS BLANK THE PART APPLIES TO ALL SERIAL NUMBERS FOR THAT MODEL.</p>	CODE	MODEL	SERIAL NUMBER	A	206A/B	4-913	B	206B/BIII	914-1413	1 1 1	1	
CODE	MODEL	SERIAL NUMBER												
A	206A/B	4-913												
B	206B/BIII	914-1413												



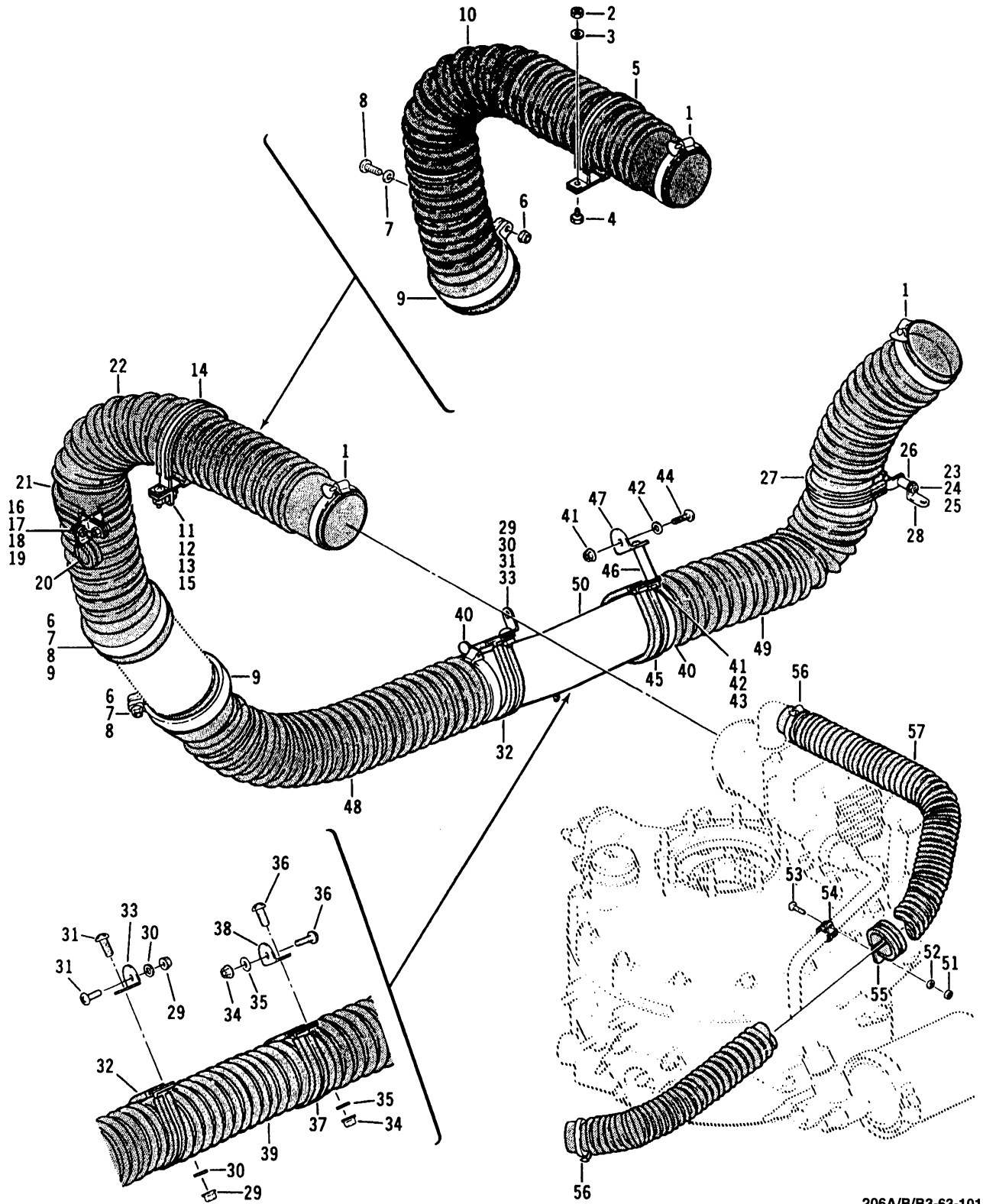
206A/B/B3-63-1010
C0000

Figure 63-10. Freewheeling installation (S/N 1414 thru SUB)

(1) INDEX NUMBER	(2) PART NUMBER	(3) ITEM NAME	(4) UNIT PER ASSY	(5) A V A I L	(6) U O C
		FIGURE: 63-10. Freewheeling installation (S/N 1414 thru SUB)			
	206-040-270-001	FREEWHEELING INSTL	1		C
	206-040-270-115	FREEWHEELING INSTL	1		D
1	MS21042L4	.NUT	3	1	
2	AN960-416L	.WASHER (REPLACED BY NAS1149F0432P)	3	1	
2	NAS1149F0432P	.WASHER (REPLACES AN960-416L)	3		
3	NAS1197-416L	.WASHER	3	1	
3A	MS21043-4	.NUT	6	1	
4	206-040-270-003	.FREEWHEELING ASSY (POST T. B 206-82-69) (NOTE 1) . (REPLACED BY 206-040-270-117)	1		C
4	206-040-270-117	.FREEWHEELING ASSY (REPLACES 206-040-270-003) . . .	1	1	
5	DELETED			
6	AN310-7	. .NUT	1	1	
7	AN960-716	. .WASHER (REPLACED BY NAS1149F0763P)	1	1	
7	NAS1149F0763P	. .WASHER (REPLACES AN960-716)	1		
	206-040-230-017	. .SUPPORT ASSY	1	0	
8	206-040-203-003	. .ADAPTER	1	1	
9	450127H19	. . .SEAL (REPLACED BY 206-340-104-101)	1		
9	206-340-104-101	. . .SEAL (REPLACES 450127H19)	1		
10	RR185	. . .RETAINER (REPLACED BY M27426-314D)	1	0	
10	M27426-314D	. . .RETAINER (REPLACES RR185)	1		
11	206-040-207-001	. . .BEARING	1	1	
12	AN919-2D	. . .REDUCER	1	1	
13	NAS617-3	. . .PACKING, PREFORMED (REPLACED BY M83248/1-903)	1		
13	M83248/1-903	. . .PACKING, PREFORMED (REPLACES NAS617-3)	1	1	
14	206-040-241-001	. . .HOUSING ASSY	1	1	
15	206-040-236-013	. . .HOUSING ASSY (REPLACED BY 206-040-236-017)	1		A
15	206-040-236-017	. . .HOUSING ASSY (REPLACES 206-040-236-013)	1	1	
16	AN125983	. . .STUD, .003 OVERSIZE	3	1	
16	AN125984	. . .STUD, .006 OVERSIZE	3	1	
16	AN125985	. . .STUD, .009 OVERSIZE	3	1	
16	AN125986	. . .STUD, .012 OVERSIZE	3	1	
	206-040-270-005	. .SHAFT ASSY (REPLACED BY 206-040-270-119)	1	0	C
	206-040-270-119	. .SHAFT ASSY (REPLACES 206-040-270-005)	1	6	
17	206-040-206-001	. . .BEARING (ALTERNATE PART)	1	1	
17	206-040-206-101	. . .BEARING	1	1	
18	RR204	. . .RETAINER (REPLACED BY M27426-3150D)	1		
18	M27426-3150D	. . .RETAINER (REPLACES RR204)	1		
19	CL41742	. . .CLUTCH (REPLACED BY CL41742-1 AND CL42250-1) . . .	1		
19	CL41742-1	. . .CLUTCH (REPLACES CL41742) (REPLACED BY CL42250-1)	1	0	
19	CL42250-1	. . .CLUTCH (REPLACES CL41742-1 AND CL41742)	1	1	
20	206-040-204-001	. . .PLATE	1	1	
21	206-040-205-001	. . .BEARING (PRE T.B. 206-95-155) (NOTE 2) (REPLACED BY 206-040-205-005)	2	0	C
21	206-040-205-005	. . .BEARING (PRE T.B. 206-95-155) (NOTE 2) (REPLACES 206-040-205-001)	2	1	C
21	206-340-203-103	. . .BEARING (POST T.B. 206-95-155) (NOTE 2)	2		

(1) INDEX NUMBER	(2) PART NUMBER	(3) ITEM NAME	(4) UNIT PER ASSY	(5) A V A I L	(6) U O C
FIGURE: 63-10. Freewheeling installation (S/N 1414 thru SUB) (Cont'd)					
(ALTERNATE PART)					
21	206-340-203-101	... BEARING (POST T.B. 206-95-155)	2		
22	RR268	... RETAINER (REPLACED BY M27426-3165A)	2	0	
(REPLACED BY M27426-3165D)					
22	M27426-3165D	... RETAINER (REPLACED BY M27426-3165A)	2		
(REPLACES RR268)					
22	M27426-3165A	... RETAINER (REPLACES RR268)	2		
23	206-040-221-003	... SHAFT (PRE T.B. 206-95-155) (NOTE 2)	1		C
23	206-040-379-101	... SHAFT (POST T.B. 206-95-155) (NOTE 2)	1	1	
24	206-040-267-001	... CAP ASSY	1	0	
(ALTERNATE PART)					
24	206-040-268-001	... CAP ASSY	1	1	
25	SR258	... INSERT	2	1	
26	451883-H19	... SEAL (REPLACED BY 206-340-204-101)	1		
26	206-340-204-101	... SEAL (REPLACES 451883-H19)	1	1	
27	206-040-222-005	... SHAFT	1	1	
28	206-040-223-003	.. BUSHING (REPLACED BY 206-040-223-101)	1	0	B
28	206-040-223-101	.. BUSHING (REPLACES 206-040-223-003)	1	1	
29	AN815-5D	.. UNION	1	1	
30	NAS617-5	.. PACKING, PREFORMED (REPLACED BY M83248/1-905)	1		
30	M83248/1-905	.. PACKING, PREFORMED (REPLACES NAS617-5)	1	1	
31	MS21042L4	.. NUT	3	1	
32	AN960-416L	.. WASHER (REPLACED BY NAS1149F0432P)	3	1	
32	NAS1149F0432P	.. WASHER (REPLACES AN960-416L)	3		
33	B3225C	.. CHIP DETECTOR	1	1	
34	MS29561-011	... PACKING, PREFORMED (REPLACED BY	1		
M83248/1-011)					
34	M83248/1-011	... PACKING, PREFORMED (REPLACES MS29561-011)	1	1	
35	NAS617-6	.. PACKING, PREFORMED (REPLACED BY M83248/1-906)	1		
35	M83248/1-906	.. PACKING, PREFORMED (REPLACES NAS617-6)	1	1	
36	MS29561-215	.. PACKING, PREFORMED (REPLACED BY M83248/1-215)	1		
36	M83248/1-215	.. PACKING, PREFORMED (REPLACES MS29561-215)	1		
37	MS29561-237	.. PACKING, PREFORMED (REPLACED BY M83248/1-237)	1		
37	M83248/1-237	.. PACKING, PREFORMED (REPLACES MS29561-237)	1	1	
38	206-040-229-001	. GASKET	1	1	
39	MS29561-141	. PACKING, PREFORMED (REPLACED BY M83248/1-141)	1		
39	M83248/1-141	. PACKING, PREFORMED (REPLACES MS29561-141)	1		
40	206-040-208-001	. SHIM	2	1	
41	99106	SLEEVE KIT (POST TB 206-94-147)	1		
42	99199	SLEEVE KIT (POST TB 206-94-147)	1		
NOTE 1: FOR PRE T. B. 206-82-69 P/N 206-040-270-003, SEE FIGURE 10 FOR BREAKDOWN.					
NOTE 2: THE 206-040-379-101 SHAFT AND THE 206-340-203-103 BEARING MUST BE USED AS A UNIT TO REPLACE THE 206-040-221-003 SHAFT AND THE 206 040-205-001/ -005 BEARING.					

(1) INDEX NUMBER	(2) PART NUMBER	(3) ITEM NAME	(4) UNIT PER ASSY	(5) A V A I L	(6) U O C															
		<p>FIGURE: 63-10. Freewheeling installation (S/N 1414 thru SUB) (Cont'd)</p> <p style="text-align: center;">USABLE ON CODES</p> <table border="0" style="margin-left: auto; margin-right: auto;"> <thead> <tr> <th style="text-align: left;">CODE</th> <th style="text-align: left;">MODEL</th> <th style="text-align: left;">SERIAL NUMBER</th> </tr> </thead> <tbody> <tr> <td>A</td> <td>206B/BIII</td> <td>1414-2274</td> </tr> <tr> <td>B</td> <td>206B/BIII</td> <td>1414-3742</td> </tr> <tr> <td>C</td> <td>206B/BIII</td> <td>1414-4359</td> </tr> <tr> <td>D</td> <td>206BIII</td> <td>4360-SUB</td> </tr> </tbody> </table> <p>1) UNLESS A USABLE ON PART NUMBER IS LISTED IN THE ITEM NAME COLUMN; NO CODE INDICATES THE PART APPLIES TO ALL SERIAL NUMBERS.</p> <p>2) IF THE SERIAL NUMBER IS BLANK THE PART APPLIES TO ALL SERIAL NUMBERS FOR THAT MODEL.</p>	CODE	MODEL	SERIAL NUMBER	A	206B/BIII	1414-2274	B	206B/BIII	1414-3742	C	206B/BIII	1414-4359	D	206BIII	4360-SUB			
CODE	MODEL	SERIAL NUMBER																		
A	206B/BIII	1414-2274																		
B	206B/BIII	1414-3742																		
C	206B/BIII	1414-4359																		
D	206BIII	4360-SUB																		



206A/B/B3-63-1011
C0000

Figure 63-11. Duct installation, transmission

(1) INDEX NUMBER	(2) PART NUMBER	(3) ITEM NAME	(4) UNIT PER ASSY	(5) A V A I L	(6) U O C
		FIGURE: 63-11. Duct installation, transmission			
	206-040-008-001	DUCT INSTL, TRANSMISSION	1		
	206-040-008-003	DUCT INSTL, TRANSMISSION	1		
	206-040-008-005	DUCT INSTL, TRANSMISSION	1		
1	AN737TW107	.CLAMP	2		
2	MS21042L3	.NUT	1		A
3	AN960PD10L	.WASHER (REPLACED BY AN960JD10L)	1		A
3	AN960JD10L	.WASHER (REPLACES AN960PD10L)	1		A
4	AN3-3A	.BOLT	1		A
5	MS21919DG50	.CLAMP	1		A
6	MS21042L3	.NUT	2		
7	AN960PD10L	.WASHER (REPLACED BY AN960JD10L)	2		
7	AN960JD10L	.WASHER (REPLACES AN960PD10L)	2		
8	AN520-10R8	.SCREW (REPLACED BY MS35207-263)	2		
8	MS35207-263	.SCREW (REPLACES AN520-10R8)	2		
9	AN735D48	.CLAMP	2		
10	5112-1	.HOSE ASSY	1		A
		(ALTERNATE PART)			
10	3-1655-24-96-5	.HOSE ASSY	1		A
11	MS21042L3	.NUT	2		C
12	AN960PD10L	.WASHER (REPLACED BY AN960JD10L)	2		C
12	AN960JD10L	.WASHER (REPLACES AN960PD10L)	2		C
13	AN520-10R7	.SCREW (REPLACED BY MS35207-262)	2		C
13	MS35207-262	.SCREW (REPLACES AN520-10R7)	2		C
14	MS21919DG48	.CLAMP (REPLACED BY MS21919WDG48)	1		C
14	MS21919WDG48	.CLAMP (REPLACES MS21919DG48)	1		C
15	20-032-1	.BRACKET	1		C
16	MS21042L3	.NUT	2		C
17	AN960PD10L	.WASHER (REPLACED BY AN960JD10L)	2		C
17	AN960JD10L	.WASHER (REPLACES AN960PD10L)	2		C
18	AN520-10R10	.SCREW (REPLACED BY MS35207-264)	2		C
18	MS35207-264	.SCREW (REPLACES AN520-10R10)	2		C
19	AN743-12	.BRACKET	1		C
20	MS21919DG19	.CLAMP (REPLACED BY MS21919WDG19)	1		C
20	MS21919WDG19	.CLAMP (REPLACES MS21919DG19)	1		C
21	MS21919DG48	.CLAMP (REPLACED BY MS21919WDG48)	1		C
21	MS21919WDG48	.CLAMP (REPLACES MS21919DG48)	1		C
22	5112-3	.HOSE ASSY	1		C
		(ALTERNATE PART)			
22	3-1655-24-152-5	.HOSE ASSY	1		C
23	MS21942L3	.NUT	1		
24	AN960PD10L	.WASHER (REPLACED BY AN960JD10L)	2		
24	AN960JD10L	.WASHER (REPLACES AN960PD10L)	2		
25	AN520-10R18	.SCREW	1		
26	NAS43DD3-36	.SPACER	1		
27	MS21919DG48	.CLAMP (REPLACED BY MS21919WDG48)	1		
27	MS21919WDG48	.CLAMP (REPLACES MS21919DG48)	1		
28	20-032-1	.BRACKET	1		
29	MS21042L3	.NUT	2		
30	AN960PD10L	.WASHER (REPLACED BY AN960JD10L)	2		
30	AN960JD10L	.WASHER (REPLACES AN960PD10L)	2		

(1) INDEX NUMBER	(2) PART NUMBER	(3) ITEM NAME	(4) UNIT PER ASSY	(5) A V A I L	(6) U O C
FIGURE: 63-11. Duct installation, transmission (Cont'd)					
31	AN520-10R7	.SCREW (REPLACED BY MS35207-262)	2		
31	MS35207-262	.SCREW (REPLACES AN520-10R7)	2		
32	MS21919DG50	.CLAMP	1		B
32	MS21919DG48	.CLAMP (REPLACED BY MS21919WDG48)	1		D
32	MS21919WDG48	.CLAMP (REPLACES MS21919DG48)	1		D
33	20-032-1	.BRACKET	1		B
34	MS21042L3	.NUT	2		B
35	AN960PD10L	.WASHER (REPLACED BY AN960JD10L)	2		B
35	AN960JD10L	.WASHER (REPLACES AN960PD10L)	2		B
36	AN520-10R7	.SCREW (REPLACED BY MS35207-262)	2		B
36	MS35207-262	.SCREW (REPLACES AN520-10R7)	2		B
37	MS21919DG50	.CLAMP	1		B
38	20-032-1	.BRACKET	1		B
39	5112-2	.HOSE ASSY	1		B
(ALTERNATE PART)					
39	3-1655-24-288-5	.HOSE ASSY	1		B
40	AN737TW107	.CLAMP	2		D
41	MS21042L3	.NUT	2		D
42	AN960PD10L	.WASHER (REPLACED BY AN960JD10L)	2		D
42	AN960JD10L	.WASHER (REPLACES AN960PD10L)	2		D
43	MS27039-1-39	.SCREW	1		D
44	MS27039-1-08	.SCREW	1		D
45	MS21919DG48	.CLAMP (REPLACED BY MS21919WDG48)	1		D
45	MS21919WDG48	.CLAMP (REPLACES MS21919DG48)	1		D
46	NAS43DD30128	.SPACER	1		D
47	20-032-1	.BRACKET	1		D
48	70-051-12C064D	.HOSE (REPLACED BY NAS1376A12SA064)	1		D
48	NAS1376A12SA064	.HOSE (REPLACES 70-051-12C064D)	1		D
49	5112-3	.HOSE ASSY	1		D
(ALTERNATE PART)					
49	3-1655-24-152-5	.HOSE ASSY	1		D
50	206-040-518-001	.TUBE ASSY	1		D
51	MS21042L3	.NUT	1		
52	AN960PD10L	.WASHER (REPLACED BY AN960JD10L)	1		
52	AN960JD10L	.WASHER (REPLACES AN960PD10L)	1		
53	AN520-10R8	.SCREW (REPLACED BY MS35207-263)	1		
53	MS35207-263	.SCREW (REPLACES AN520-10R8)	1		
54	MS21919DG10	.CLAMP (REPLACED BY MS21919WDG10)	1		
54	MS21919WDG10	.CLAMP (REPLACES MS21919DG10)	1		
55	MS21919DG22	.CLAMP (REPLACED BY MS21919WDG22)	1		
55	MS21919WDG22	.CLAMP (REPLACES MS21919DG22)	1		
56	AN737TW46	.CLAMP	2		
57	70-001A5F38Z3	.DUCT-AIR (REPLACED BY NAS1376A05SA064)	1		
57	NAS1376A05SA064	.DUCT-AIR (REPLACES 70-001A5F38Z3)	1		

(1) INDEX NUMBER	(2) PART NUMBER	(3) ITEM NAME	(4) UNIT PER ASSY	(5) A V A I L	(6) U O C															
		<p>FIGURE: 63-11. Duct Installation, transmission (Cont'd)</p> <p style="text-align: center;">USABLE ON CODES</p> <table border="0" style="margin-left: auto; margin-right: auto;"> <thead> <tr> <th style="text-align: left;">CODE</th> <th style="text-align: left;">MODEL</th> <th style="text-align: left;">SERIAL NUMBER</th> </tr> </thead> <tbody> <tr> <td>A</td> <td>206A</td> <td>4-583</td> </tr> <tr> <td>B</td> <td>206A/B</td> <td>4-1701</td> </tr> <tr> <td>C</td> <td>206A/B/BIII</td> <td>584-SUB</td> </tr> <tr> <td>D</td> <td>206B/BIII</td> <td>1702-SUB</td> </tr> </tbody> </table> <p>1) UNLESS A USABLE ON PART NUMBER IS LISTED IN THE ITEM NAME COLUMN; NO CODE INDICATES THE PART APPLIES TO ALL SERIAL NUMBERS.</p> <p>2) IF THE SERIAL NUMBER IS BLANK THE PART APPLIES TO ALL SERIAL NUMBERS FOR THAT MODEL.</p>	CODE	MODEL	SERIAL NUMBER	A	206A	4-583	B	206A/B	4-1701	C	206A/B/BIII	584-SUB	D	206B/BIII	1702-SUB			
CODE	MODEL	SERIAL NUMBER																		
A	206A	4-583																		
B	206A/B	4-1701																		
C	206A/B/BIII	584-SUB																		
D	206B/BIII	1702-SUB																		

