

CONTENTS - IPB

Figure Number	Figure Title	Chapter/Section Number	Page Number
64-1	Tail rotor installation (S/N 4 thru 497)	64-99-00	2
64-2	Tail rotor installation (S/N 498 thru sub)	64-99-00	6
64-3	Hub and blade assembly, tail rotor (S/N 4 thru 497)	64-99-00	12
64-4	Hub and blade assy, tail rotor (S/N 498 - sub)	64-99-00	20

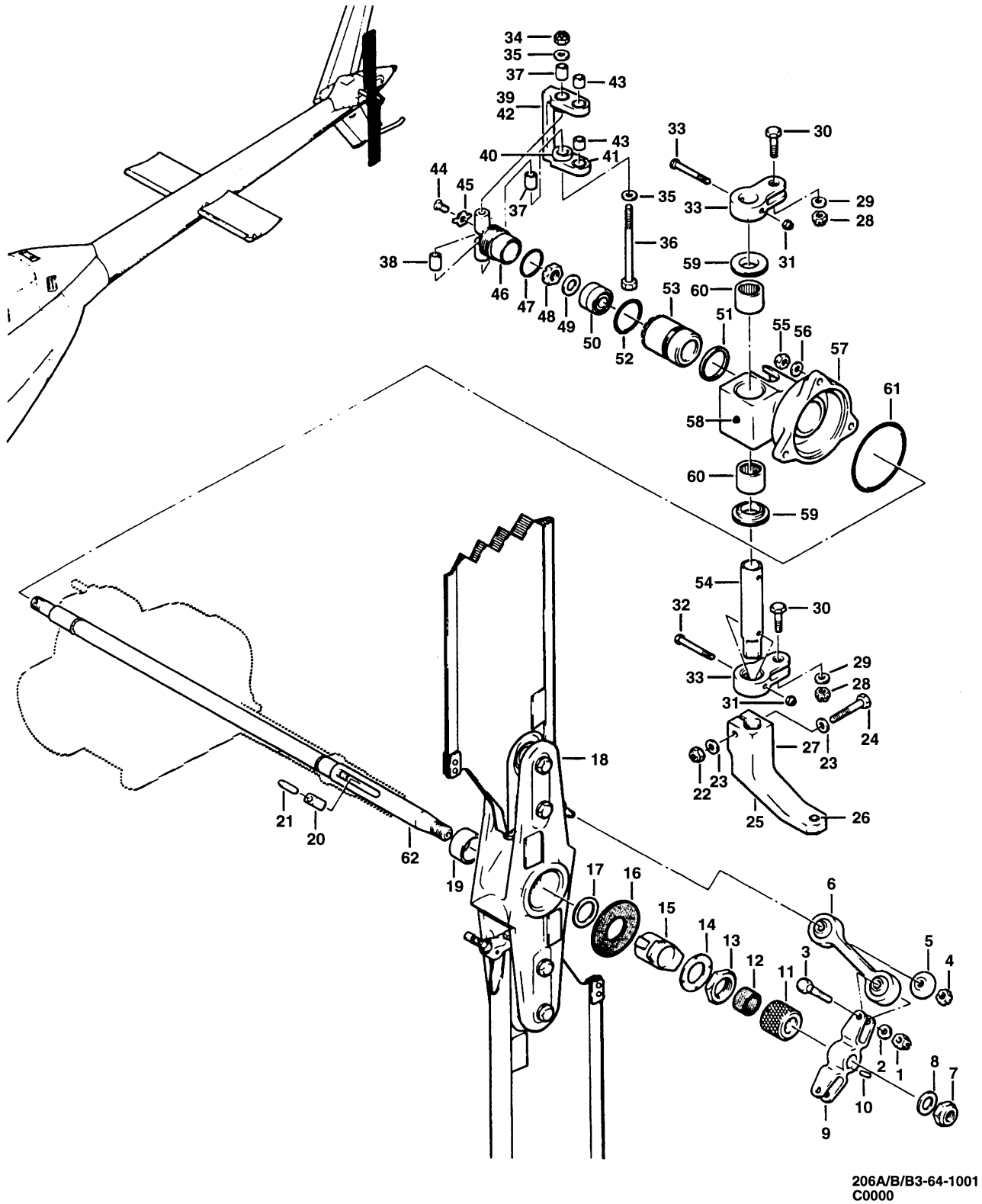


Figure 64-1. Tail rotor installation (S/N 4 thru 497)

(1) INDEX NUMBER	(2) PART NUMBER	(3) ITEM NAME	(4) UNIT PER ASSY	(5) A V A I L	(6) U O C
		FIGURE: 64-1. Tail rotor installation (S/N 4 thru 497)			
	206-011-700-001	TAIL ROTOR INSTL	1		
	206-011-700-005	TAIL ROTOR INSTL	1		
	206-011-700-003	TAIL ROTOR INSTL	1		
	206-011-700-007	TAIL ROTOR INSTL	1		
1	MS17825-4	.NUT (REPLACED BY MS14144L4)	2		
1	MS14144L4	.NUT (REPLACES MS17825-4)	2		
2	AN960C416L	.WASHER	2		
3	AN174-11	.BOLT	2		
4	MS17826-4	.NUT (REPLACED BY MS14145L4)	2		
4	MS14145L4	.NUT (REPLACES MS17826-4)	2		
5	206-010-324-001	.WASHER	2		
6	206-010-710-001	.PITCH LINK ASSY	2		
		(ALTERNATE PART)			
6	206-010-710-003	.PITCH LINK ASSY (REPLACED BY 206-010-793-101 AND 206-010-795-101)	2		
6	206-010-793-101	.PITCH LINK ASSY (REPLACES 206-010-710-001 AND -003)	2		
7	NAS1022A8	.NUT	1		
8	AN960C816L	.WASHER	1		
9	206-010-741-001	.CROSSHEAD, TAIL ROTOR (PRE ASB 206-86-31) (NOTE . . 1) (REPLACED BY 206-010-741-003)	1		
9	206-010-741-003	.CROSSHEAD, TAIL ROTOR (PRE ASB 206-86-31) (NOTE . . 1) (REPLACES 206-010-741-001)	1		
9	206-011-857-001	.CROSSHEAD, TAIL ROTOR (POST ASB 206-86-31) (NOTE 1)	1		
10	100-035-125-012	.PIN	1		
11	206-010-759-001	.NUT	1		
12	206-010-760-001	.LINER	1		
13	206-010-761-001	.NUT	1		
14	206-010-762-001	.WASHER, LOCK	1		
15	206-010-742-001	.STATIC STOP	1		
16	206-010-777-001	.BUMPER	1		
17	206-011-715-001	.SHIM	1		
18	206-010-701-013	.HUB AND BLADE ASSY, TAIL ROTOR (PRE ASB 206-80-12) (SEE FIG. 3 FOR BREAKDOWN) (USBL ON 206-011-700-001) (REPLACED BY 206-011-801-001 AND 206-011-810-117)	1		A
18	206-011-801-001	.HUB AND BLADE ASSY, TAIL ROTOR (PRE ASB 206-080-12) (SEE FIG. 3 FOR BREAKDOWN) (USBL ON 206-011-700-001 AND -003) (REPLACES 206-010-701-013) (REPLACED BY 206-011-810-117)	1		C
18	206-011-801-005	.HUB AND BLADE ASSY, TAIL ROTOR (PRE ASB 206-80-12) (SEE FIG. 3 FOR BREAKDOWN) (USBL ON 206-011-700-007) (REPLACED BY 206-011-810-117)	1		D
18	206-011-810-117	.HUB AND BLADE ASSY, TAIL ROTOR (POST ASB 206-80-12) (SEE FIG. 3 FOR BREAKDOWN) (REPLACES 206-010-701-013, 206-011-801-001 AND -005)	1		
19	206-010-755-001	.SPACER	1		
20	206-011-704-001	.KEY	1		
21	100-035-187-5 30-5	.PIN	1		

(1) INDEX NUMBER	(2) PART NUMBER	(3) ITEM NAME	(4) UNIT PER ASSY	(5) A V A I L	(6) U O C
		FIGURE: 64-1. Tail rotor installation (S/N 4 thru 497) (Cont'd)			
22	MS21042L4	.NUT	1		
23	AN960PD416	.WASHER (REPLACED BY AN960JD416)	2		
23	AN960JD416	.WASHER (REPLACES AN960PD416)	2		
24	AN174-14A	.BOLT	1		
25	206-010-790-001	.BELLCRANK ASSY	1		
26	206-010-752-001	..BUSHING	1		
27	206-010-790-003	..BELLCRANK	1		
28	MS17825-4	.NUT (REPLACED BY MS14144L4)	2		
28	MS14144L4	.NUT (REPLACES MS17825-4)	2		
29	AN960-416	.WASHER (REPLACED BY AN960C416)	2		
29	AN960C416	.WASHER (REPLACES AN960-416)	2		
30	NAS1304-8D	.BOLT (REPLACED BY NAS6604D8)	2		
30	NAS6604D8	.BOLT (REPLACES NAS1304-8D)	2		
31	MS21042L3	.NUT	2		
32	NAS1303-19	.BOLT (REPLACED BY NAS6603-19)	2		
32	NAS6603-19	.BOLT (REPLACES NAS1303-19)	2		
33	206-011-705-001	.ARM	2		
34	MS17825-4	.NUT (REPLACED BY MS14144L4)	1		
34	MS14144L4	.NUT (REPLACES MS17825-4)	1		
35	AN960PD416	.WASHER (REPLACED BY AN960JD416)	2		
35	AN960JD416	.WASHER (REPLACES AN960PD416)	2		
36	AN174-33	.BOLT	1		
37	206-011-713-001	.SLEEVE	2		
38	206-010-757-001	.SPACER	1		
39	206-011-711-001	.ARM ASSY	1		
40	206-011-712-001	..BEARING	2		
41	206-011-714-001	..BEARING	2		
42	206-011-711-003	..ARM	1		
43	206-011-713-003	.SLEEVE	2		
44	NAS1189-3P4	.SCREW	1		
45	206-010-756-003	.LOCK	1		
46	206-010-751-001	.NUT	1		
47	MS29561-023	.PACKING, PREFORMED (REPLACED BY M83248/1-023)	1		
47	M83248/1-023	.PACKING, PREFORMED (REPLACES MS29561-023)	1		
48	MS17826-6	.NUT (REPLACED BY MS14145L6)	1		
48	MS14145L6	.NUT (REPLACES MS17826-6)	1		
49	AN960-616L	.WASHER	1		
50	7100KRDF	.BEARING (USBL ON 206-011-700-001, -003, -005) (REPLACED BY 204-011-761-003 AND 204-011-769-001)	1		
50	204-011-761-003	.BEARING (REPLACES 7100KRDF) (REPLACED BY 204-011-769-001)	1		
50	204-011-769-001	.BEARING (REPLACES 7100KRDF AND 204-011-761-003)	1		
51	S11718-25	.RETAINER	1		
52	MS29561-024	.PACKING, PREFORMED (REPLACED BY M83248/1-024)	1		
52	M83248/1-024	.PACKING, PREFORMED (REPLACES MS29561-024)	1		
53	206-010-747-001	.HOUSING	1		
54	206-011-707-001	.SHAFT	1		

(1) INDEX NUMBER	(2) PART NUMBER	(3) ITEM NAME	(4) UNIT PER ASSY	(5) A V A I L	(6) U O C															
FIGURE: 64-1. Tail rotor installation (S/N 4 thru 497) (Cont'd)																				
55	MS21042L4	.NUT	3																	
56	NAS1197-416	.WASHER	3																	
57	206-011-709-001	.HOUSING ASSY (USBL ON 206-011-700-001, -005) (REPLACED BY 206-011-709-005)	1		B															
57	206-011-709-005	.HOUSING ASSY (REPLACES 206-011-709-001)	1																	
58	NAS516-1A	..FITTING	1																	
59	206-011-708-001	..BUSHING	2																	
60	GJ1212	..BEARING (REPLACED BY J-1212 AND B1212)	2																	
60	J-1212	..BEARING (REPLACES GJ1212) (REPLACED BY B1212) . .	2																	
60	B1212	..BEARING (REPLACES GJ1212 AND J-1212)	2																	
61	2-38-612-45	.PACKING, PREFORMED (ALTERNATE PART)	1																	
61	038-1487	.PACKING, PREFORMED	1																	
62	206-010-743-013	.CONTROL TUBE ASSY	1																	
NOTE 1: AT INITIAL REPLACEMENT OF 206-010-788 YOKE WITH 206-011-811 YOKE THE 206-010-741 CROSSHEAD SHALL BE REPLACED BY 206-011-857 OR 206-011-855 CROSSHEAD.																				
USABLE ON CODES																				
<table border="0"> <thead> <tr> <th>CODE</th> <th>MODEL</th> <th>SERIAL NUMBER</th> </tr> </thead> <tbody> <tr> <td>A</td> <td>206A</td> <td>4-153</td> </tr> <tr> <td>B</td> <td>206A</td> <td>4-253</td> </tr> <tr> <td>C</td> <td>206A</td> <td>4-303</td> </tr> <tr> <td>D</td> <td>206A</td> <td>304-497</td> </tr> </tbody> </table>						CODE	MODEL	SERIAL NUMBER	A	206A	4-153	B	206A	4-253	C	206A	4-303	D	206A	304-497
CODE	MODEL	SERIAL NUMBER																		
A	206A	4-153																		
B	206A	4-253																		
C	206A	4-303																		
D	206A	304-497																		
1) UNLESS A USABLE ON PART NUMBER IS LISTED IN THE ITEM NAME COLUMN; NO CODE INDICATES THE PART APPLIES TO ALL SERIAL NUMBERS.																				
2) IF THE SERIAL NUMBER IS BLANK THE PART APPLIES TO ALL SERIAL NUMBERS FOR THAT MODEL.																				

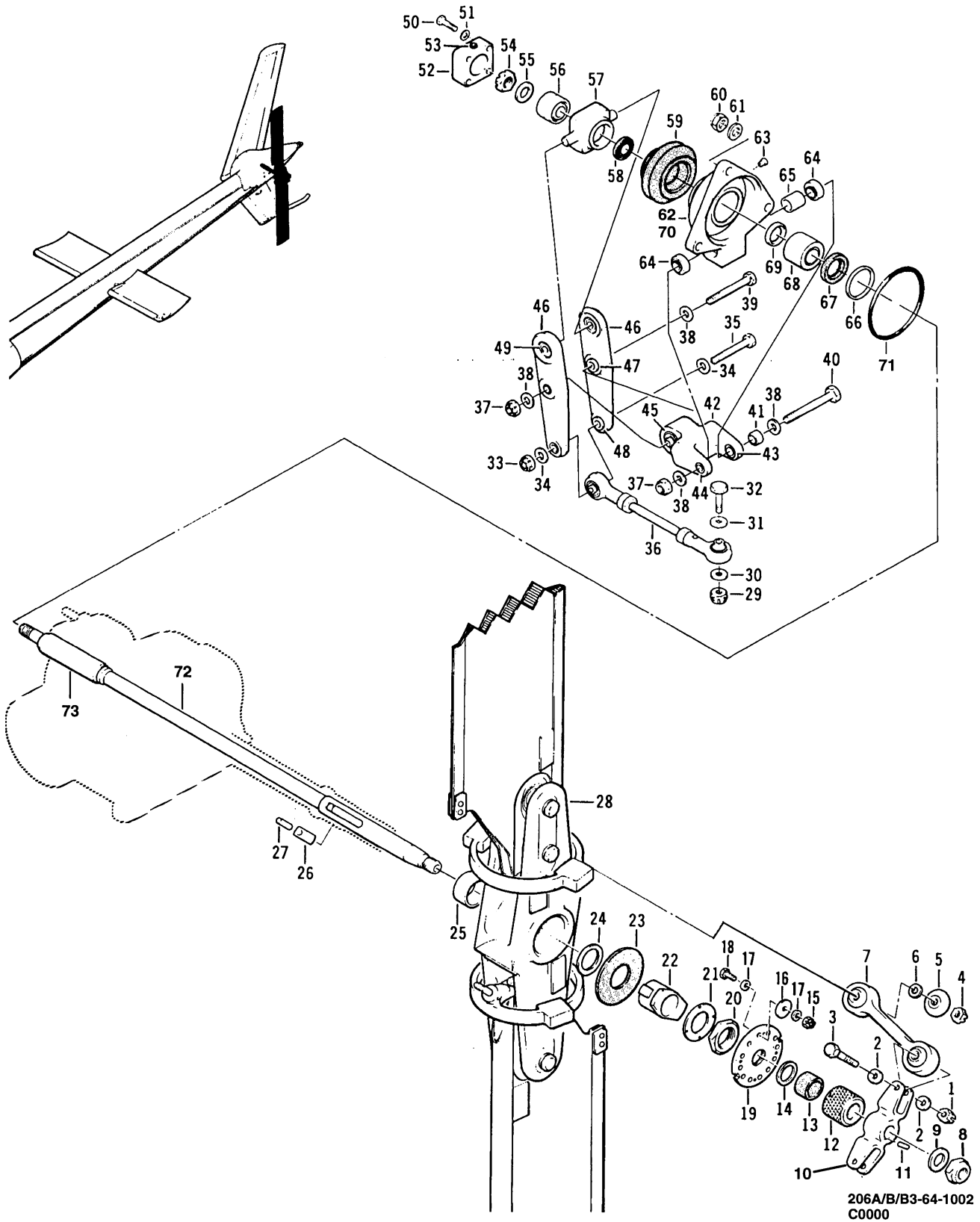


Figure 64-2. Tail rotor installation (S/N 498 thru sub)

(1) INDEX NUMBER	(2) PART NUMBER	(3) ITEM NAME	(4) UNIT PER ASSY	(5) A V A I L	(6) U O C
		FIGURE: 64-2. Tail rotor installation (S/N 498 thru sub)			
	206-011-720-003	TAIL ROTOR INSTL	1		
	206-011-720-007	TAIL ROTOR INSTL	1		
	206-011-720-009	TAIL ROTOR INSTL	1	0	
	206-011-720-013	TAIL ROTOR INSTL	1		
	206-011-720-017	TAIL ROTOR INSTL	1		
	206-011-720-125	TAIL ROTOR INSTL	1		
1	MS17825-4	.NUT (REPLACED BY MS14144L4)	2	0	
1	MS14144L4	.NUT (REPLACES MS17825-4)	2	1	
2	AN960C416	.WASHER (REPLACED BY NAS1149C0463R)	4	1	
2	NAS1149C0463R	.WASHER (REPLACES AN960C416)	4		
3	AN174-12	.BOLT	2	1	
4	MS17826-4	.NUT (REPLACED BY MS14145L4)	2		
4	MS14145L4	.NUT (REPLACES MS17826-4)	2	1	
5	206-010-324-001	.WASHER	2	1	
6	AN960-416L	.WASHER (REPLACED BY NAS1149F0432P)	2	1	F
6	NAS1149F0432P	.WASHER (REPLACES AN960-416L)	2		F
6	206-011-820-101	.WASHER	2	1	K
7	206-010-710-001	.PITCH LINK ASSY (REPLACED BY 206-010-710-003, . . . 206-010-793-101, -105 AND 206-010-795-101)	2	0	A
7	206-010-710-003	.PITCH LINK ASSY (REPLACES 206-010-710-001) (REPLACED BY 206-010-793-101, -105 AND 206-010-795-101)	2		F
7	206-010-793-101	.PITCH LINK ASSY (REPLACES 206-010-710-001 AND . . . -003) (REPLACED BY 206-010-793-105 AND 206-010-795-101)	2		F
7	206-010-793-105	.PITCH LINK ASSY (REPLACES 206-010-710-001, -003 . AND 206-010-793-101) (REPLACED BY 206-010-795-101)	2		F
7	206-010-795-101	.PITCH LINK ASSY (REPLACES 206-010-710-001, -003, 206-011-793-101 AND -105)	2	1	F
7	206-010-792-105	.PITCH LINK ASSY (REPLACED BY 206-010-792-107, . . . -109 AND 206-010-795-105)	2		K
7	206-010-792-107	.PITCH LINK ASSY (REPLACES 206-010-792-105) (REPLACED BY 206-010-792-109 AND 206-010-795-105)	2		K
7	206-010-792-109	.PITCH LINK ASSY (REPLACES 206-010-792-105 AND . . . -107) (REPLACED BY 206-010-795-105)	2	0	K
7	206-010-795-105	.PITCH LINK ASSY (REPLACES 206-010-792-105, -107 . AND -109)	2	1	K
8	NAS1022A8	.NUT	1	1	
9	AN960C816L	.WASHER (REPLACED BY NAS1149C0832R)	1		
9	NAS1149C0832R	.WASHER (REPLACES AN960C816L)	1		
10	206-010-741-001	.CROSSHEAD, TAIL ROTOR (PRE ASB 206-86-31) (NOTE . . 2) (REPLACED BY 206-010-741-003 AND 206-011-857-001)	1	0	C
10	206-010-741-003	.CROSSHEAD, TAIL ROTOR (PRE ASB 206-86-31) (NOTE . . 2) (REPLACES 206-010-741-001) (REPLACED BY 206-011-857-001)	1	1	C
10	206-011-855-001	.CROSSHEAD, TAIL ROTOR (ALTERNATE PART)	1	6	J

(1) INDEX NUMBER	(2) PART NUMBER	(3) ITEM NAME	(4) UNIT PER ASSY	(5) A V A I L	(6) U O C
FIGURE: 64-2. Tail rotor installation (S/N 498 thru sub) (Cont'd)					
10	206-011-857-001	.CROSSHEAD, TAIL ROTOR (POST ASB 206-86-31) (NOTE 2) (REPLACES 206-010-741-001 AND -003)	1	1	J
11	100-035-125-012	.PIN	1		
12	206-010-759-001	.NUT (ALTERNATE PART)	1	0	A
12	206-010-759-003	.NUT	1	1	H
13	206-010-760-001	.LINER	1	1	H
14	120-006C38-29	.SHIM	10	1	H
15	MS21042L3	.NUT (NOTE 1)	4	1	H
16	AN970-3	.WASHER (NOTE 1)	12	1	H
17	AN960-10	.WASHER (NOTE 1) (REPLACED BY NAS1149F0363P)	12		H
17	NAS1149F0363P	.WASHER (NOTE 1) (REPLACES AN960-10)	12	1	H
18	AN3-3A	.BOLT (NOTE 1)	4	1	H
18	AN3-4A	.BOLT (NOTE 1)	4	1	H
18	AN3-5A	.BOLT (NOTE 1)	4	1	H
19	206-011-716-001	.BALANCE WHEEL (NOTE 2)	1	1	H
20	206-010-761-001	.NUT	1	1	
21	206-010-762-001	.WASHER	1	1	
22	206-010-742-001	.STATIC STOP	1	1	C
22	206-010-742-003	.STATIC STOP	1	1	J
23	206-010-777-001	.BUMPER	1	1	
24	206-011-715-001	.SHIM	1	1	
25	206-010-755-001	.SPACER	1	1	
26	206-011-704-001	.KEY	1	1	
27	100-035-187.5-30.5	.PIN (REPLACED BY 100-035-187.5-30.5)	1	0	
27	100-035-187.5-30.5	.PIN (REPLACES 100-035-187.5-30.5)	1	1	
28	206-011-801-011	.HUB AND BLADE ASSY, TAIL ROTOR (PRE ASB 206-80-12) (SEE FIG. 4 FOR BREAKDOWN) (REPLACED BY 206-011-810-001, -117 AND -121)	1	0	A, B
28	206-011-810-001	.HUB AND BLADE ASSY, TAIL ROTOR (SEE FIG. 4 FOR . . . BREAKDOWN) (REPLACES 206-011-801-011) (REPLACED BY 206-011-810-121 AND -117)	1		C
28	206-011-810-121	.HUB AND BLADE ASSY, TAIL ROTOR (PRE ASB 206-80-12) (SEE FIG. 4 FOR BREAKDOWN) (REPLACES 206-011-801-011 AND 206-011-810-001) (REPLACED BY 206-011-810-117)	1	6	C
28	206-011-810-117	.HUB AND BLADE ASSY, TAIL ROTOR (POST ASB 206-80-12) (SEE FIG. 4 FOR BREAKDOWN) (REPLACES 206-011-801-011, 206-011-810-001 AND -121)	1	0	C
28	206-011-810-011	.HUB AND BLADE ASSY, TAIL ROTOR (SEE FIG. 4 FOR . . . BREAKDOWN) (REPLACES 206-011-810-013)	1		E
28	206-011-810-013	.HUB AND BLADE ASSY, TAIL ROTOR (SEE FIG. 4 FOR . . . BREAKDOWN) (REPLACES 206-011-810-011)	1	0	L
28	206-011-810-129	.HUB AND BLADE ASSY, TAIL ROTOR (SEE FIG. 4 FOR . . . BREAKDOWN)	1	0	M
28	206-011-810-133	.HUB AND BLADE ASSY, TAIL ROTOR (SEE FIG. 4 FOR . . . BREAKDOWN)	1		G

(1) INDEX NUMBER	(2) PART NUMBER	(3) ITEM NAME	(4) UNIT PER ASSY	(5) A V A I L	(6) U O C
		FIGURE: 64-2. Tail rotor installation (S/N 498 thru sub) (Cont'd)			
28	206-011-810-135	.HUB AND BLADE ASSY, TAIL ROTOR (SEE FIG. 4 FOR . . . BREAKDOWN) (REPLACED BY 206-011-810-141, -149 AND -151)	1	0	N
28	206-011-810-141	.HUB AND BLADE ASSY, TAIL ROTOR (SEE FIG. 4 FOR . . . BREAKDOWN) (REPLACES 206-011-810-135) (REPLACED BY 206-011-810-149 AND -151)	1		N
28	206-011-810-143	.HUB AND BLADE ASSY, TAIL ROTOR (SEE FIG. 4 FOR . . . BREAKDOWN)	1	6	
28	206-011-810-149	.HUB AND BLADE ASSY, TAIL ROTOR (SEE FIG. 4 FOR . . . BREAKDOWN) (REPLACES 206-011-810-135 AND -141) (REPLACED BY 206-011-810-151)	1		K
28	206-011-810-151	.HUB AND BLADE ASSY, TAIL ROTOR (SEE FIG. 4 FOR . . . BREAKDOWN) (REPLACES 206-011-810-135, -141 AND -149)	1		K
29	MS17825-4	.NUT (REPLACED BY MS14144L4)	1	0	
29	MS14144L4	.NUT (REPLACES MS17825-4)	1	1	
30	AN960-416	.WASHER (REPLACED BY NAS1149F0463P)	1	1	
30	NAS1149F0463P	.WASHER (REPLACES AN960-416)	1		
31	AN970-4	.WASHER	1	1	
32	NAS1304-16D	.BOLT (REPLACED BY NAS6604D16)	1	0	C
32	NAS6604D16	.BOLT (REPLACES NAS1304-16D)	1	1	C
32	20-057-4-16D	.BOLT	1	1	C
33	MS17825-4	.NUT (REPLACED BY MS14144L4)	1	0	
33	MS14144L4	.NUT (REPLACES MS17825-4)	1	1	
34	AN960-416	.WASHER (REPLACED BY NAS1149F0463P)	2	1	
34	NAS1149F0463P	.WASHER (REPLACES AN960-416)	2		
35	NAS1304-22D	.BOLT (REPLACED BY NAS6604D22)	1	0	C
35	NAS6604D22	.BOLT (REPLACES NAS1304-22D)	1		C
35	20-057-4-22D	.BOLT	1	1	J
36	206-011-725-001	.ROD ASSY	1	1	
37	MS17825-4	.NUT (REPLACED BY MS14144L4)	2	0	
37	MS14144L4	.NUT (REPLACES MS17825-4)	2	1	
38	AN960-416	.WASHER (REPLACED BY NAS1149F0463P)	4	1	
38	NAS1149F0463P	.WASHER (REPLACES AN960-416)	4		
39	NAS1304-33D	.BOLT (REPLACED BY NAS6604D33)	1	0	C
39	NAS6604D33	.BOLT (REPLACES NAS1304-33D)	1	1	C
39	20-057-4-33D	.BOLT	1	1	J
40	NAS1304-31D	.BOLT (REPLACED BY NAS6604D31)	1	0	C
40	NAS6604D31	.BOLT (REPLACES NAS1304-31D)	1		C
40	20-057-4-31D	.BOLT	1	1	J
41	206-011-726-005	.BUSHING	1	1	
42	206-011-723-001	.IDLER ASSY	1	1	
43	206-011-726-001	. . BUSHING	1	1	
44	206-011-727-005	. . BUSHING	1	1	
45	DW4	. . BEARING	1	1	
		(ALTERNATE PART)			
45	MS27647-4	. . BEARING	1	1	
46	206-011-722-001	. LEVER ASSY	2	1	F
46	206-011-722-105	. LEVER ASSY	2	1	K

(1) INDEX NUMBER	(2) PART NUMBER	(3) ITEM NAME	(4) UNIT PER ASSY	(5) A V A I L	(6) U O C
		FIGURE: 64-2. Tail rotor installation (S/N 498 thru sub) (Cont'd)			
47	206-011-727-001	..BUSHING	1	1	
48	206-011-727-003	..BUSHING	1	1	
49	MS20201KP5A	..BEARING (REPLACED BY MS27641-5)	1	0	
49	MS27641-5	..BEARING (REPLACES MS20201KP5A)	1	1	
50	AN3H7A	..BOLT	4	1	
51	AN960-10L	..WASHER (REPLACED BY NAS1149F0332P)	4		
51	NAS1149F0332P	..WASHER (REPLACES AN960-10L)	4		
52	206-011-729-001	..CAP ASSY	1	1	K
53	NAS516-1A	..FITTING	1	1	
54	MS17826-6	..NUT (REPLACED BY MS14145L6)	1	0	
54	MS14145L6	..NUT (REPLACES MS17826-6)	1	1	
55	AN960-616L	..WASHER (REPLACED BY NAS1149F0632P)	1	1	
55	NAS1149F0632P	..WASHER (REPLACES AN960-616L)	1		
56	204-011-761-003	..BEARING (USBL ON 206-011-720-003) (REPLACED BY .. 204-011-769-001)	1	0	
56	204-011-769-001	..BEARING (REPLACES 204-011-761-003)	1	1	
57	206-011-728-001	..TRUNNION ASSY	1	1	K
58	B56-40-2	..SEAL	1	1	
59	206-011-730-001	..BOOT (REPLACED BY 206-011-730-003 AND .. 206-011-736-001)	1		B
59	206-011-730-003	..BOOT (REPLACES 206-011-730-001) (REPLACED BY ... 206-011-736-001)	1		B
59	206-011-736-001	..BOOT (REPLACES 206-011-730-001 AND -003)	1	1	
60	MS21042L4	..NUT	3	1	
61	NAS1197-416	..WASHER	3	1	
62	206-011-721-005	..HOUSING ASSY (REPLACED BY 206-011-721-009)	1		A, B
62	206-011-721-009	..HOUSING ASSY (REPLACES 206-011-721-005)	1	1	
63	NAS516-1	..FITTING (REPLACED BY NAS516-1A)	1	0	
63	NAS516-1A	..FITTING (REPLACES NAS516-1)	1	1	
64	MS20201KP4A	..BEARING (REPLACED BY MS27641-4)	2	0	
64	MS27641-4	..BEARING (REPLACES MS20201KP4A)	2	1	
65	206-011-726-003	..BUSHING	1	1	
66	UR112CD	..RETAINER	1	1	
67	71X7023	..SEAL (REPLACED BY 26001-7023)	1		
67	26001-7023	..SEAL (REPLACES 71X7023)	1		
68	206-011-731-001	..BEARING	1	1	
69	B56-40-2	..SEAL	1	1	
70	206-011-721-011	..HOUSING (USBL ON 206-011-721-009)	1		
71	2-38N141-7	..PACKING, PREFORMED	1		F
		(ALTERNATE PARTS)			
71	2-38-612-4S	..PACKING, PREFORMED	1		F
71	2-38-47-071	..PACKING, PREFORMED	1		F
71	038-1487	..PACKING, PREFORMED	1	0	F
71	AS3209-38	..PACKING, PREFORMED	1		F
72	206-011-724-001	..TUBE ASSY (USBL ON 206-011-720-003, -007 AND ... -009)	1	1	C
72	206-011-724-005	..TUBE ASSY (USBL ON 206-011-720-013 AND -017)	1	1	D
72	206-011-724-109	..TUBE ASSY (USBL ON 206-011-720-125)	1	1	K
73	206-011-732-001	..SLEEVE	1	1	

(1) INDEX NUMBER	(2) PART NUMBER	(3) ITEM NAME	(4) UNIT PER ASSY	(5) A V A I L	(6) U O C																																										
		<p>FIGURE: 64-2. Tail rotor installation (S/N 498 thru sub) (Cont'd)</p> <p>NOTE 1: FOR BALANCE USE COMBINATION OF AN960-10 AND AN970-3 ANY COMBINATION PER BOLT MAX OF 3 WASHERS USE AN3-4A THRU AN3-7A BOLTS LENGTH AS REQUIRED TO ACCOMMODATE BALANCE WASHERS.</p> <p>NOTE 2: AT INITIAL REPLACEMENT OF 206-010-788 YOKE WITH 206-011-811 YOKE THE 206-010-741 CROSSHEAD SHALL BE REPLACED BY 206-011-857 OR 206-011-855 CROSSHEAD.</p> <p style="text-align: center;">USABLE ON CODES</p> <table border="0" style="width: 100%;"> <thead> <tr> <th style="text-align: left;">CODE</th> <th style="text-align: left;">MODEL</th> <th style="text-align: left;">SERIAL NUMBER</th> </tr> </thead> <tbody> <tr><td>A</td><td>206A</td><td>498-626</td></tr> <tr><td>B</td><td>206A/B</td><td>627-996</td></tr> <tr><td>C</td><td>206A/B</td><td>498-2211</td></tr> <tr><td>D</td><td>206BIII</td><td>2212-4004</td></tr> <tr><td>E</td><td>206BIII</td><td>2212-2308</td></tr> <tr><td>F</td><td>206A/B/BIII</td><td>498-4004</td></tr> <tr><td>G</td><td>206BIII</td><td>3902-4004</td></tr> <tr><td>H</td><td>206A/B/BIII</td><td>627-SUB</td></tr> <tr><td>J</td><td>206BIII</td><td>2212-SUB</td></tr> <tr><td>K</td><td>206BIII</td><td>4005-SUB</td></tr> <tr><td>L</td><td>206BIII</td><td>2212-3864</td></tr> <tr><td>M</td><td>206BIII</td><td>3865-3901</td></tr> <tr><td>N</td><td>206BIII</td><td>4005-4316</td></tr> </tbody> </table> <p>1) UNLESS A USABLE ON PART NUMBER IS LISTED IN THE ITEM NAME COLUMN; NO CODE INDICATES THE PART APPLIES TO ALL SERIAL NUMBERS.</p> <p>2) IF THE SERIAL NUMBER IS BLANK THE PART APPLIES TO ALL SERIAL NUMBERS FOR THAT MODEL.</p>	CODE	MODEL	SERIAL NUMBER	A	206A	498-626	B	206A/B	627-996	C	206A/B	498-2211	D	206BIII	2212-4004	E	206BIII	2212-2308	F	206A/B/BIII	498-4004	G	206BIII	3902-4004	H	206A/B/BIII	627-SUB	J	206BIII	2212-SUB	K	206BIII	4005-SUB	L	206BIII	2212-3864	M	206BIII	3865-3901	N	206BIII	4005-4316			
CODE	MODEL	SERIAL NUMBER																																													
A	206A	498-626																																													
B	206A/B	627-996																																													
C	206A/B	498-2211																																													
D	206BIII	2212-4004																																													
E	206BIII	2212-2308																																													
F	206A/B/BIII	498-4004																																													
G	206BIII	3902-4004																																													
H	206A/B/BIII	627-SUB																																													
J	206BIII	2212-SUB																																													
K	206BIII	4005-SUB																																													
L	206BIII	2212-3864																																													
M	206BIII	3865-3901																																													
N	206BIII	4005-4316																																													

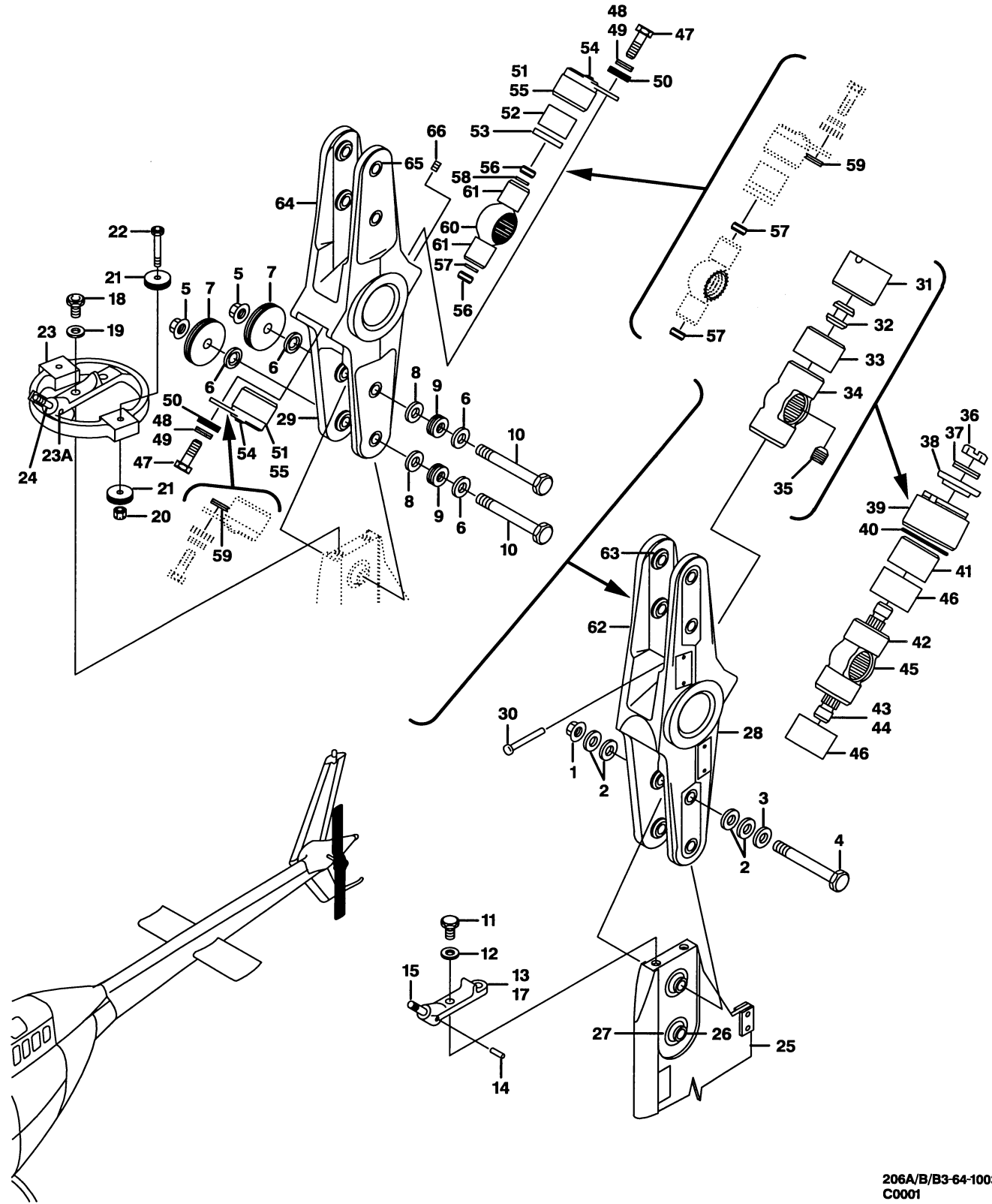


Figure 64-3. Hub and blade assembly, tail rotor (S/N 4 thru 497)

(1) INDEX NUMBER	(2) PART NUMBER	(3) ITEM NAME	(4) UNIT PER ASSY	(5) A V A I L	(6) U O C
		FIGURE: 64-3. Hub and blade assembly, tail rotor (S/N 4 thru 497)			
	206-010-701-013	HUB AND BLADE ASSY, TAIL ROTOR (PRE ASB 206-80-12) (SEE FIG. 1 FOR NHA) (REPLACED BY 206-011-801-001 AND 206-011-810-117)	REF		A
	206-011-801-001	HUB AND BLADE ASSY, TAIL ROTOR (PRE ASB 206-80-12) (SEE FIG. 1 FOR NHA) (REPLACES 206-010-701-013) (REPLACED BY 206-011-810-117)	REF	0	B
	206-011-801-005	HUB AND BLADE ASSY, TAIL ROTOR (PRE ASB 206-80-12) (SEE FIG. 1 FOR NHA) (REPLACED BY 206-011-810-117)	REF		C
	206-011-810-117	HUB AND BLADE ASSY, TAIL ROTOR (POST ASB 206-80-12) (SEE FIG. 1 FOR NHA) (REPLACES 206-010-701-013, 206-011-801-001 AND -005)	REF	0	
1	MS21042L6	.NUT (USBL ON 206-010-701-013, 206-011-801-001 . . . AND -005)	4	1	
2	AN960-616L	.WASHER (USBL ON 206-010-701-013, 206-011-801-001 AND -005) (REPLACED BY NAS1149F0632P)	24	1	
2	NAS1149F0632P	.WASHER (USBL ON 206-010-701-013, 206-011-801-001 AND -005) (REPLACES AN960-616L)	24		
2	AN960-616	.WASHER (USBL ON 206-010-701-013, 206-011-801-001 AND -005) (REPLACED BY NAS1149F0663P)	16	1	
2	NAS1149F0663P	.WASHER (USBL ON 206-010-701-013, 206-011-801-001 AND -005) (REPLACES AN960-616)	16	1	
2	AN970-6	.WASHER (USBL ON 206-010-701-013, 206-011-801-001 AND -005)	16	1	
3	AN960-616	.WASHER (USBL ON 206-011-801-001 AND -005) (REPLACED BY NAS1149F0663P)	4	1	
3	NAS1149F0663P	.WASHER (USBL ON 206-011-801-001 AND -005) (REPLACES AN960-616)	4	1	
3	AN970-6	.WASHER (USBL ON 206-011-801-001, -005)	4	1	
4	20-057-6-31	.BOLT (NOTE 5) (USBL ON 206-010-701-013, 206-011-801-001 AND -005)	4	1	
4	20-057-6-32	.BOLT (NOTE 5) (USBL ON 206-010-701-013, 206-011-801-001 AND -005)	4	1	
4	20-057-6-34	.BOLT (NOTE 5) (USBL ON 206-010-701-013, 206-011-801-001 AND -005)	4	1	
4	20-057-6-36	.BOLT (NOTE 5) (USBL ON 206-010-701-013, 206-011-801-001 AND -005)	4	1	
5	MS21042L6	.NUT (USBL ON 206-011-810-117)	4	1	
6	MS9482-12	.WASHER (USBL ON 206-011-810-117)	8	1	
7	AN970-6	.WASHER (USBL ON 206-011-810-117)	16	1	
8	AN960-616L	.WASHER (USBL ON 206-011-810-117) (REPLACED BY . . . NAS1149F0632P)	16	1	
8	NAS1149F0632P	.WASHER (USBL ON 206-011-810-117) (REPLACES AN960-616L)	16		
9	AN960-616	.WASHER (USBL ON 206-011-810-117) (REPLACED BY . . . NAS1149F0663P)	16	1	

(1) INDEX NUMBER	(2) PART NUMBER	(3) ITEM NAME	(4) UNIT PER ASSY	(5) A V A I L	(6) U O C
		FIGURE: 64-3. Hub and blade assembly, tail rotor (S/N 4 thru 497) (Cont'd)			
9	NAS1149F0663P	.WASHER (USBL ON 206-011-810-117) (REPLACES AN960-616)	16	1	
10	20-057-6-34	.BOLT (NOTE 5) (USBL ON 206-011-810-117)	4	1	
10	20-057-6-36	.BOLT (NOTE 5) (USBL ON 206-011-810-117)	4	1	
10	20-057-6-38	.BOLT (NOTE 5) (USBL ON 206-011-810-117)	2	1	
10	20-057-6-40	.BOLT (NOTE 5) (USBL ON 206-011-810-117)	2	1	
11	NAS1304-1H	.BOLT (USBL ON 206-010-701-013, 206-011-801-001 . . AND -005) (REPLACED BY NAS6604H1)	4		
11	NAS6604H1	.BOLT (USBL ON 206-010-701-013, 206-011-801-001 . . AND -005) (REPLACES NAS1304-1H)	4	1	
12	AN960-416L	.WASHER (USBL ON 206-010-701-013, 206-011-801-001 AND -005) (REPLACED BY NAS1149F0432P)	4	1	
12	NAS1149F0432P	.WASHER (USBL ON 206-010-701-013, 206-011-801-001 AND -005) (REPLACES AN960-416L)	4		
13	206-010-707-001	.PITCH HORN ASSY, TAIL ROTOR (USBL ON 206-010-701-013, 206-011-801-001 AND -005)	2	1	
14	MS9105-59	..PIN	1	1	
15	206-010-744-001	..STUD	1	0	
16	DELETED			
17	206-010-707-003	..PITCH HORN	1	6	
18	20-057-4-2H	.BOLT (USBL ON 206-011-810-117)	4	1	
19	AN960-416	.WASHER (USBL ON 206-011-810-117) (REPLACED BY . . . NAS1149F0463P)	4	1	
19	NAS1149F0463P	.WASHER (USBL ON 206-011-810-117) (REPLACES AN960-416)	4		
20	MS17825-3	.NUT (USBL ON 206-011-810-117) (REPLACED BY MS14144L3)	4		
20	MS14144L3	.NUT (USBL ON 206-011-810-117) (REPLACES MS17825-3)	4	1	
21	AN970-3	.WASHER (USBL ON 206-011-810-117)	32	1	
22	NAS1303-13D	.BOLT (NOTE 5) (USBL ON 206-011-810-117) (REPLACED BY NAS6603D13)	4		
22	NAS6603D13	.BOLT (NOTE 5) (USBL ON 206-011-810-117) (REPLACES NAS1303-13D)	4	1	
22	NAS1303-14D	.BOLT (NOTE 5) (USBL ON 206-011-810-117) (REPLACED BY NAS6603D14)	4		
22	NAS6603D14	.BOLT (NOTE 5) (USBL ON 206-011-810-117) (REPLACES NAS1303-14D)	4	1	
22	NAS1303-15D	.BOLT (NOTE 5) (USBL ON 206-011-810-117) (REPLACED BY NAS6603D15)	4		
22	NAS6603D15	.BOLT (NOTE 5) (USBL ON 206-011-810-117) (REPLACES NAS1303-15D)	4	1	
22	NAS1303-16D	.BOLT (NOTE 5) (USBL ON 206-011-810-117) (REPLACED BY NAS6603D16)	4		
22	NAS6603D16	.BOLT (NOTE 5) (USBL ON 206-011-810-117) (REPLACES NAS1303-16D)	4	1	
22	NAS1303-17D	.BOLT (NOTE 5) (USBL ON 206-011-810-117) (REPLACED BY NAS6603D17)	4		

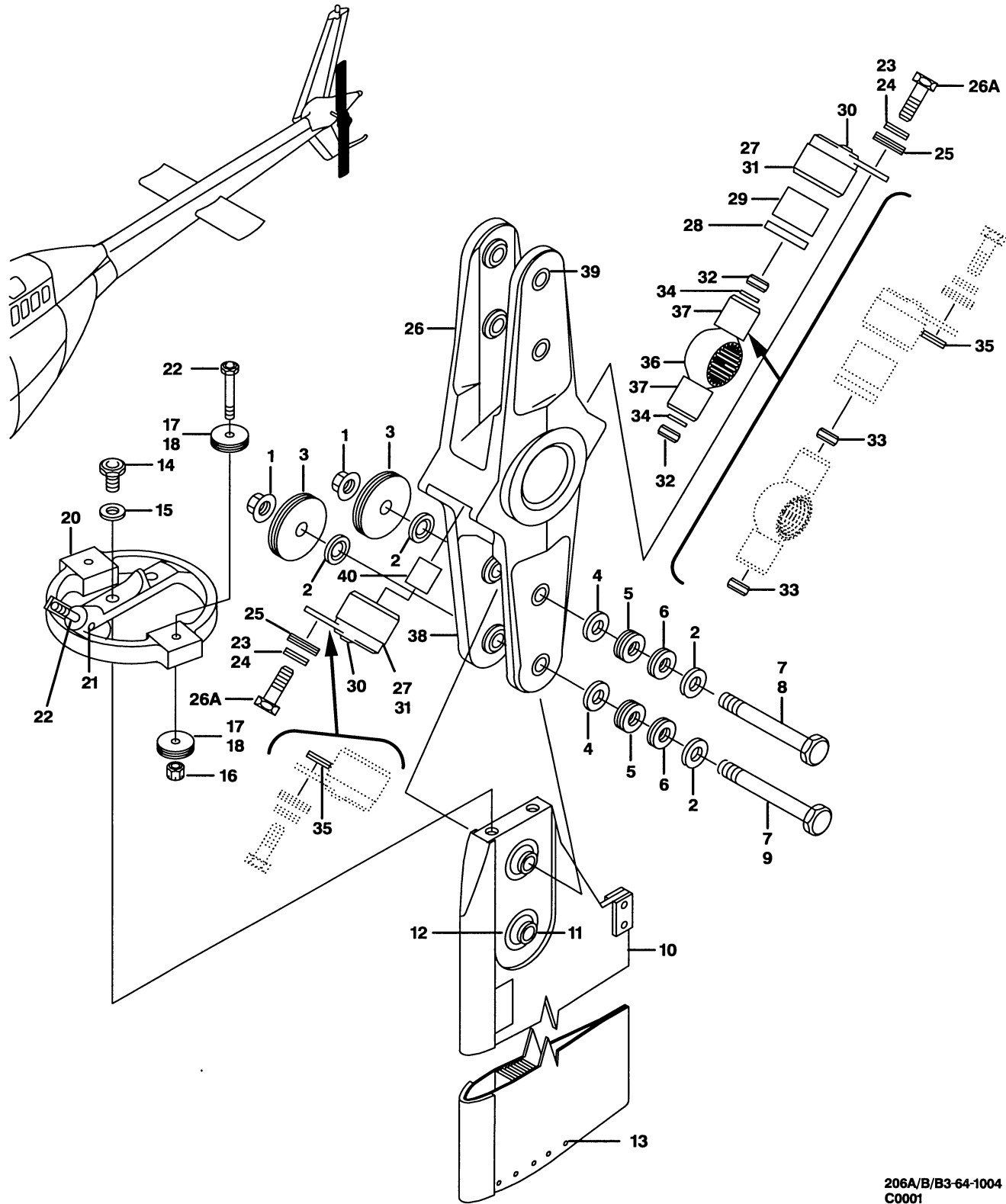
(1) INDEX NUMBER	(2) PART NUMBER	(3) ITEM NAME	(4) UNIT PER ASSY	(5) A V A I L	(6) U O C
		FIGURE: 64-3. Hub and blade assembly, tail rotor (S/N 4 thru 497) (Cont'd)			
22	NAS6603D17	.BOLT (NOTE 5) (USBL ON 206-011-810-117) (REPLACES NAS1303-17D)	4	1	
22	NAS1303-18D	.BOLT (USBL ON 206-011-810-117) (REPLACED BY NAS6603D18)	4		
22	NAS6603D18	.BOLT (USBL ON 206-011-810-117) (REPLACES NAS1303-18D)	4	1	
22	NAS1303-19D	.BOLT (USBL ON 206-011-810-117) (REPLACED BY NAS6603D19)	4		
22	NAS6603D19	.BOLT (USBL ON 206-011-810-117) (REPLACES NAS1303-19D)	4	1	
23	206-011-809-005	.PITCH HORN ASSY (USBL ON 206-011-810-117)	2		
23A	MS9105-59	..PIN	1	1	
24	206-010-744-003	..STUD	1		
25	206-010-750-003	.BLADE ASSY (USBL ON 206-010-701-013, 206-011-801-001 AND -005) (REPLACED BY 206-010-750-007, -005 AND -109)	2		
25	206-010-750-007	.BLADE ASSY (NOTE 1) (USBL ON 206-010-701-013, . . . 206-011-801-001 AND -005) (REPLACES 206-010-750-003) (REPLACED BY 206-010-750-005)	2	6	
25	206-010-750-005	.BLADE ASSY (NOTE 1) (USBL ON 206-010-701-013, . . . 206-011-801-001 AND -005) (REPLACES 206-010-750-003 AND -007) (REPLACED BY 206-010-750-109)	2	6	
25	206-010-750-109	.BLADE ASSY (USBL ON 206-010-701-013, 206-011-801-001 AND -005) (REPLACES 206-010-750-003, -005 AND -007)	2		
25	206-016-201-103	.BLADE ASSY (POST ASB 206-80-12) (USE WITH 206-011-810-015) (USBL ON 206-011-810-117) (REPLACED BY 206-016-201-125)	2	1	
25	206-016-201-125	.BLADE ASSY (USBL ON 206-011-810-117) (REPLACES . . 206-016-201-103) (REPLACED BY 206-016-201-133)	2	1	
25	206-016-201-133	.BLADE ASSY (USE WITH 206-011-819-109) (USBL ON . . 206-011-810-017) (REPLACES 206-016-201-125)	2		
26	206-010-721-005	..BEARING (NOTE 2) (REPLACED BY 206-010-721-003 . . AND 206-010-765-001)	2	0	
26	206-010-721-003	..BEARING (NOTE 2) (REPLACES 206-010-721-005) . . . (REPLACED BY 206-010-765-001)	2	0	
26	206-010-765-001	..BEARING (NOTE 2) (REPLACES 206-010-721-005 AND . -003) (REPLACED BY 206-310-105-101)	2	1	
26	206-310-105-101	..BEARING (NOTE 2) (REPLACES 206-010-765-001) . . .	2	1	
27	206-010-733-003	..SLEEVE	2	1	
28	206-011-801-003	.HUB ASSY (USBL ON 206-011-801-001) (REPLACED BY . . 206-011-810-003)	1	0	B
28	206-011-801-007	.HUB ASSY (USBL ON 206-011-801-005) (REPLACED BY . . 206-011-810-003)	1		C
29	206-010-701-015	.HUB ASSY (USBL ON 206-010-701-013)	1		A
29	206-011-810-003	.HUB ASSY (USBL ON 206-011-801-001 AND -005) (REPLACES 206-011-801-003 AND -007) (REPLACED BY 206-011-810-125, -139 AND -153)	1	0	D

(1) INDEX NUMBER	(2) PART NUMBER	(3) ITEM NAME	(4) UNIT PER ASSY	(5) A V A I L	(6) U O C
		FIGURE: 64-3. Hub and blade assembly, tail rotor (S/N 4 thru 497) (Cont'd)			
29	206-011-810-125	.HUB ASSY (USBL ON 206-011-810-117) (REPLACES 206-011-810-003) (REPLACED BY 206-011-810-139 AND -153)	1		
29	206-011-810-139	.HUB ASSY (USBL ON 206-011-810-117) (REPLACES 206-011-810-003 AND -125) (REPLACED BY 206-011-810-153)	1		
29	206-011-810-153	.HUB ASSY (USBL ON 206-011-810-117) (REPLACES 206-011-810-003, -125 AND -139)	1	1	
30	AN121662	..PIN (USBL ON 206-010-701-015) (REPLACED BY MS20392-2S29)	2	0	
30	MS20392-2S29	..PIN (USBL ON 206-010-701-015) (REPLACES AN121662)	2		
31	206-011-702-001	..HOUSING (USBL ON 206-010-701-015)	2		
32	206-011-703-001	..WASHER (USBL ON 206-010-701-015)	2	6	
33	206-010-712-001	..BEARING (USBL ON 206-010-701-015)	2	0	
33	206-010-712-003	..BEARING (USBL ON 206-010-701-015)	2	1	
34	206-010-776-001	..TRUNNION (USBL ON 206-010-701-015) (REPLACED . . . BY 206-010-776-003)	1	0	
34	206-010-776-003	..TRUNNION (USBL ON 206-010-701-015) (REPLACES . . . 206-010-776-001)	1		
35	NAS1081C8A8L	..SETSCREW (USBL ON 206-010-701-015)	2	1	
36	MS17826-7	..NUT (USBL ON 206-011-801-003 AND - 007) (REPLACED BY MS14145L7)	2		
36	MS14145L7	..NUT (USBL ON 206-011-801-003 AND - 007) (REPLACES MS17826-7)	2		
37	AN960-716L	..WASHER (USBL ON 206-011-801-003 AND -007) (REPLACED BY NAS1149F0732P)	6	1	
37	NAS1149F0732P	..WASHER (USBL ON 206-011-801-003 AND -007) (REPLACES AN960-716L)	6		
38	206-011-806-001	..BUSHING ASSY, THRUST (USBL ON 206-011-801-003 . . AND -007)	2	1	
39	206-011-805-001	..HOUSING (USBL ON 206-011-801-003)	2		
39	206-011-805-003	..HOUSING (USBL ON 206-011-801-007)	2	6	
40	206-011-808-001	..SHIELD (USBL ON 206-011-801-007)	2	1	
41	206-010-712-005	..BEARING (USBL ON 206-011-801-003)	2	6	
41	540-011-418-015	..BEARING (USBL ON 206-011-801-007)	2	1	
42	206-011-803-001	..TRUNNION ASSY (USBL ON 206-011-801-003)	1		
42	206-011-803-005	..TRUNNION ASSY (USBL ON 206-011-801-007)	1	1	
43	RL38SB9	..LOCK RING (REPLACED BY MS51990-108P)	2		
43	MS51990-108P	..LOCK RING (REPLACES RL38SB9)	2	1	
44	RZA11978	..STUD	2	1	
45	206-011-803-003	..TRUNNION (USBL ON 206-011-803-001)	1	6	
45	206-011-803-007	..TRUNNION (USBL ON 206-011-803-005)	1	6	
46	206-011-807-001	..LINER (USBL ON 206-011-803-005)	2	1	
47	NAS1304-2H	..BOLT (NOTE 5) (USBL ON 206-011-810-003, -125, . . -139 AND -153) (REPLACED BY NAS6604H2)	4		
47	NAS6604H2	..BOLT (NOTE 5) (USBL ON 206-011-810-003, -125, . . -139 AND -153) (REPLACES NAS1304-2H)	4	1	

(1) INDEX NUMBER	(2) PART NUMBER	(3) ITEM NAME	(4) UNIT PER ASSY	(5) A V A I L	(6) U O C
		FIGURE: 64-3. Hub and blade assembly, tail rotor (S/N 4 thru 497) (Cont'd)			
47	NAS1304-3H	..BOLT (NOTE 5) (USBL ON 206-011-810-003, -125, .. -139 AND -153) (REPLACED BY NAS6604H3)	4	0	
47	NAS6604H3	..BOLT (NOTE 5) (USBL ON 206-011-810-003, -125, .. -139 AND -153) (REPLACES NAS1304-3H)	4	1	
47	NAS1304-4H	..BOLT (NOTE 5) (USBL ON 206-011-810-003, -125, .. -139 AND -153) (REPLACED BY NAS6604H4)	4		
47	NAS6604H4	..BOLT (NOTE 5) (USBL ON 206-011-810-003, -125, .. -139 AND -153) (REPLACES NAS1304-4H)	4	1	
47	NAS1304-5H	..BOLT (NOTE 5) (USBL ON 206-011-810-003, -125, .. -139 AND -153) (REPLACED BY NAS6604H5)	4	0	
47	NAS6604H5	..BOLT (NOTE 5) (USBL ON 206-011-810-003, -125, .. -139 AND -153) (REPLACES NAS1304-5H)	4	1	
47	NAS1304-6H	..BOLT (NOTE 5) (USBL ON 206-011-810-003, -125, .. -139 AND -153) (REPLACED BY 20-057-4-6H)	4	0	
47	20-057-4-6H	..BOLT (NOTE 5) (USBL ON 206-011-810-003, -125, .. -139 AND -153) (REPLACES NAS1304-6H)	4	1	
47	NAS1304-7H	..BOLT (NOTE 5) (USBL ON 206-011-810-003, -125, .. -139 AND -153) (REPLACED BY NAS6604H7)	4		
47	NAS6604H7	..BOLT (NOTE 5) (USBL ON 206-011-810-003, -125, .. -139 AND -153) (REPLACES NAS1304-7H)	4	1	
47	NAS1304-8H	..BOLT (NOTE 5) (USBL ON 206-011-810-003, -125, .. -139 AND -153) (REPLACED BY NAS6604H8)	4		
47	NAS6604H8	..BOLT (NOTE 5) (USBL ON 206-011-810-003, -125, .. -139 AND -153) (REPLACES NAS1304-8H)	4	1	
48	AN960-416L	..WASHER (USBL ON 206-011-810-003, -125, -139 AND -153) (REPLACED BY NAS1149F0432P)	8	1	
48	NAS1149F0432P	..WASHER (USBL ON 206-011-810-003, -125, -139 AND -153) (REPLACES AN960-416L)	8		
49	AN960-416	..WASHER (USBL ON 206-011-810-003, -125, -139 AND -153) (REPLACED BY NAS1149F0463P)	4	1	
49	NAS1149F0463P	..WASHER (USBL ON 206-011-810-003, -125, -139 AND -153) (REPLACES AN960-416)	4		
50	47-641-191-1	..WEIGHT (USBL ON 206-011-810-117)	8		
51	206-011-814-001	..HOUSING ASSY (USBL ON 206-011-810-003) (REPLACED BY 206-011-814-009 AND -113)	2	0	
51	206-011-814-009	..HOUSING ASSY (USBL ON 206-011-810-003 AND -125) (REPLACES 206-011-814-001) (REPLACED BY 206-011-814-113)	2	0	
51	206-011-814-113	..HOUSING ASSY (REPLACES 206-011-814-001 AND -009)	2	1	
52	71X7027	..SEAL (REPLACED BY 26001-7027)	1	0	
52	26001-7027	..SEAL (REPLACES 71X7027)	1	1	
53	J1212	..BEARING (REPLACED BY B1212)	1		
53	B1212	..BEARING (REPLACES J1212)	1	1	
54	NAS516-1A	..FITTING	1	1	
55	206-011-814-003	..HOUSING (USBL ON 206-011-814-001)	1		
55	206-011-814-011	..HOUSING (USBL ON 206-011-814-009 AND -113)	1		
56	47-641-173-1	..THRUST PLUG (NOTE 4) (USBL ON 206-011-810-003 .. AND -125)	2		

(1) INDEX NUMBER	(2) PART NUMBER	(3) ITEM NAME	(4) UNIT PER ASSY	(5) A V A I L	(6) U O C
		FIGURE: 64-3. Hub and blade assembly, tail rotor (S/N 4 thru 497) (Cont'd)			
57	206-011-862-101	..THRUST PLUG (NOTE 4) (USBL ON 206-011-810-003, .. -125, -139 AND -153)	2	1	
58	120-006C15-0	..SHIM (NOTE 4) (USBL ON 206-011-810-003 AND -125)	2	1	
59	206-011-861-101	..SHIM (NOTE 4) (USBL ON 206-011-810-139 AND -153)	2		
60	206-011-812-001	..TRUNNION ASSY (USBL ON 206-011-810-003) (REPLACED BY 206-011-812-005)	1	0	
60	206-011-812-005	..TRUNNION ASSY (USBL ON 206-011-810-003, -125, .. -139 AND -153) (REPLACES 206-011-812-001)	1	1	
61	47-641-175-1	...RACE (USBL ON 206-011-812-001)	2		
62	206-011-802-001	..YOKE ASSY (USBL ON 206-011-801-003 AND -007) . . .	1		
63	206-010-425-009	...BUSHING	8	1	
64	206-011-811-009	..YOKE ASSY (NOTE 3) (USBL ON 206-011-810-003) . . . (REPLACED BY 206-011-819-101, -105 AND -109)	1	0	
64	206-011-819-101	..YOKE ASSY (NOTE 3) (USBL ON 206-011-810-003 AND -125) (REPLACED BY 206-011-819-105 AND -109)	1		
64	206-011-819-105	..YOKE ASSY (NOTE 3) (USBL ON 206-011-810-003, . . . -125 AND -139) (REPLACES 206-011-811-009 AND 206-011-819-101) (REPLACED BY 206-011-819-109)	1		
64	206-011-819-109	..YOKE ASSY (USBL ON 206-011-810-003, -125, -139 .. AND -153) (REPLACES 206-011-811-009, 206-011-819-101 AND -105)	1	1	
64	206-011-817-101	..YOKE ASSY (NOTE 3)	1	6	
65	206-011-816-103	...BUSHING	8		
66	SR258L	...INSERT (REPLACED BY M45932/1-13L)	4	1	
66	M45932/1-13L	...INSERT (REPLACES SR258L)	4	1	
		NOTE 1: BLADES PART NUMBER 206-010-750-005 AND -007 MUST BE INSTALLED IN PAIRED DASH NUMBER BLADES.			
		NOTE 2: BEARING PART NUMBERS 206-010-721-003, -005 AND 206-010-765-001 CANNOT BE MIXED WITH 206-310-105-101.			
		NOTE 3: AT INITIAL REPLACEMENT OF 206-010-788 YOKE WITH 206-011-811 YOKE THE 206-010-741 CROSSHEAD SHALL BE REPLACED BY 206-011-857 OR 206-011-855 CROSSHEAD.			
		NOTE 4: 206-011-862-101 THRUST PLUG AND 206-011-861-101 SHIM AS A UNIT REPLACES 47-641-173-1 PLUG AND 120-006C15-0 SHIM.			
		NOTE 5: REFER TO BHT 206 A/B CR & O FOR CLEARANCE REQUIREMENTS.			

(1) INDEX NUMBER	(2) PART NUMBER	(3) ITEM NAME	(4) UNIT PER ASSY	(5) A V A I L	(6) U O C															
		<p>FIGURE: 64-3. Hub and blade assembly, tail rotor (S/N 4 thru 497) (Cont'd)</p> <p style="text-align: center;">USABLE ON CODES</p> <table border="0" style="margin-left: auto; margin-right: auto;"> <thead> <tr> <th style="text-align: left;">CODE</th> <th style="text-align: left;">MODEL</th> <th style="text-align: left;">SERIAL NUMBER</th> </tr> </thead> <tbody> <tr> <td>A</td> <td>206A</td> <td>4-153</td> </tr> <tr> <td>B</td> <td>206A</td> <td>4-153, 254-303</td> </tr> <tr> <td>C</td> <td>206A</td> <td>304-497</td> </tr> <tr> <td>D</td> <td>206A</td> <td>4-153, 254-497</td> </tr> </tbody> </table> <p>1) UNLESS A USABLE ON PART NUMBER IS LISTED IN THE ITEM NAME COLUMN; NO CODE INDICATES THE PART APPLIES TO ALL SERIAL NUMBERS.</p> <p>2) IF THE SERIAL NUMBER IS BLANK THE PART APPLIES TO ALL SERIAL NUMBERS FOR THAT MODEL.</p>	CODE	MODEL	SERIAL NUMBER	A	206A	4-153	B	206A	4-153, 254-303	C	206A	304-497	D	206A	4-153, 254-497			
CODE	MODEL	SERIAL NUMBER																		
A	206A	4-153																		
B	206A	4-153, 254-303																		
C	206A	304-497																		
D	206A	4-153, 254-497																		



206A/B/B3-64-1004
C0001

Figure 64-4. Hub and blade assembly, tail rotor (S/N 498 - sub)

(1) INDEX NUMBER	(2) PART NUMBER	(3) ITEM NAME	(4) UNIT PER ASSY	(5) A V A I L	(6) U O C
		FIGURE: 64-4. Hub and blade assembly, tail rotor (S/N 498 - sub)			
	206-011-801-011	HUB AND BLADE ASSY, TAIL ROTOR (PRE ASB 206-80-12) (SEE FIG. 2 FOR NHA) (REPLACED BY 206-011-810-001, -117 AND -121)	REF	0	A
	206-011-810-001	HUB AND BLADE ASSY, TAIL ROTOR (SEE FIG. 2 FOR NHA) (REPLACES 206-011-801-011) (REPLACED BY 206-011-810-117 AND -121)	REF		B
	206-011-810-121	HUB AND BLADE ASSY, TAIL ROTOR (PRE ASB 206-80-12) (SEE FIG. 2 FOR NHA) (REPLACES 206-011-801-011 AND 206-011-810-001) (REPLACED BY 206-011-810-117)	REF	6	B
	206-011-810-117	HUB AND BLADE ASSY, TAIL ROTOR (POST ASB 206-80-12) (SEE FIG. 2 FOR NHA) (REPLACES 206-011-801-011, 206-011-810-001 AND -121)	REF	0	B
	206-011-810-011	HUB AND BLADE ASSY, TAIL ROTOR (SEE FIG. 2 FOR NHA) (REPLACED BY 206-011-810-013)	REF		F
	206-011-810-013	HUB AND BLADE ASSY, TAIL ROTOR (SEE FIG. 2 FOR NHA) (REPLACES 206-011-810-011)	REF	0	G
	206-011-810-129	HUB AND BLADE ASSY, TAIL ROTOR (SEE FIG. 2 FOR NHA)	REF	0	M
	206-011-810-133	HUB AND BLADE ASSY, TAIL ROTOR (SEE FIG. 2 FOR NHA)	REF		N
	206-011-810-135	HUB AND BLADE ASSY, TAIL ROTOR (SEE FIG. 2 FOR NHA) (REPLACED BY 206-011-810-141, -149 AND -151)	REF	0	L
	206-011-810-141	HUB AND BLADE ASSY, TAIL ROTOR (SEE FIG. 2 FOR NHA) (REPLACES 206-011-810-135) (REPLACED BY 206-011-810-149 AND -151)	REF		L
	206-011-810-143	HUB AND BLADE ASSY, TAIL ROTOR (SEE FIG. 2 FOR NHA)	REF	6	
	206-011-810-149	HUB AND BLADE ASSY, TAIL ROTOR (SEE FIG. 2 FOR NHA) (REPLACES 206-011-810-135 AND -141) (REPLACED BY 206-011-810-151)	REF		R
	206-011-810-151	HUB AND BLADE ASSY, TAIL ROTOR (SEE FIG. 2 FOR NHA) (REPLACES 206-011-810-135, -141 AND -149)	REF		
1	MS21042L6	.NUT	4	1	
2	MS9482-12	.WASHER (USBL ON 206-011-810-013, -117, -121, -129, -133, -135, -137, -141, -143, -149 AND -151)	8	1	
3	AN970-6	.WASHER (NOTE 1)	16	1	
4	AN960-616L	.WASHER (NOTE 1) (REPLACED BY NAS1149F0632P)	16	1	
4	NAS1149F0632P	.WASHER (NOTE 1) (REPLACES AN960-616L)	16		
5	AN960-616	.WASHER (NOTE 1) (REPLACED BY NAS1149F0663P)	16	1	
5	NAS1149F0663P	.WASHER (NOTE 1) (REPLACES AN960-616)	16	1	
6	AN960-616L	.WASHER (USBL ON 206-011-810-011) (REPLACED BY NAS1149F0632P)	8	1	
6	NAS1149F0632P	.WASHER (USBL ON 206-011-810-011) (REPLACES AN960-616L)	8		
7	NAS1306-31	.BOLT (NOTE 1) (REPLACED BY NAS6606-31)	4		
7	NAS6606-31	.BOLT (NOTE 1) (REPLACES NAS1306-31)	4		
7	NAS1306-32	.BOLT (NOTE 1) (REPLACED BY NAS6606-32)	4		

(1) INDEX NUMBER	(2) PART NUMBER	(3) ITEM NAME	(4) UNIT PER ASSY	(5) A V A I L	(6) U O C
		FIGURE: 64-4. Hub and blade assembly, tail rotor (S/N 498 - sub) (Cont'd)			
7	NAS6606-32	.BOLT (NOTE 1) (REPLACES NAS1306-32)	4		
7	NAS1306-33	.BOLT (NOTE 1) (REPLACED BY NAS6606-33)	4		
7	NAS6606-33	.BOLT (NOTE 1) (REPLACES NAS1306-33)	4		
7	NAS1306-34	.BOLT (NOTE 1) (REPLACED BY NAS6606-34)	4	0	
7	NAS6606-34	.BOLT (NOTE 1) (REPLACES NAS1306-34)	4		
7	NAS1306-35	.BOLT (NOTE 1) (REPLACED BY NAS6606-35)	4		
7	NAS6606-35	.BOLT (NOTE 1) (REPLACES NAS1306-35)	4		
7	NAS1306-36	.BOLT (NOTE 1) (REPLACED BY NAS6606-36)	4	0	
7	NAS6606-36	.BOLT (NOTE 1) (REPLACES NAS1306-36)	4		
8	20-057-6-34	.BOLT (NOTE 1)	2	1	
		(ALTERNATE PARTS)			
8	20-057-6-36	.BOLT (NOTE 1, 8)	2	1	
9	20-057-6-34	.BOLT (NOTE 1)	2	1	
		(ALTERNATE PARTS)			
9	20-057-6-36	.BOLT (NOTE 1, 8)	2	1	
9	20-057-6-38	.BOLT (NOTE 1, 8)	2	1	
9	20-057-6-40	.BOLT (NOTE 1, 8)	2	1	
10	206-010-750-007	.BLADE ASSY (USBL ON 206-011-801-011 AND 206-011-810-001) (REPLACED BY 206-010-750-005 AND 206-016-201-103)	2	6	B
10	206-010-750-005	.BLADE ASSY (USBL ON 206-011-801-011 AND 206-010-810-001) (REPLACES 206-010-750-007) (REPLACED BY 206-016-201-103)	2	6	
10	206-016-501-001	.BLADE ASSY (NOTE 5) (USBL ON 206-011-810-011) . . . (REPLACED BY 206-016-201-001)	2		F
10	206-016-201-001	.BLADE ASSY (NOTE 5) (USBL ON 206-011-810-011 AND . -013) (REPLACES 206-016-501-001) (REPLACED BY 206-016-201-107)	2	0	G
10	206-016-201-103	.BLADE ASSY (USBL ON 206-011-810-001 AND -117) . . . (REPLACES 206-010-750-005 AND -007) (REPLACED BY 206-016-201-125)	2	1	B
10	206-016-201-107	.BLADE ASSY (USBL ON 206-011-810-011 AND -013) . . . (REPLACES 206-016-201-001 AND 206-016-501-001)	2	0	G
10	206-016-201-113	.BLADE ASSY (USBL ON 206-011-810-129) (REPLACED . . BY 206-016-201-127)	2	0	M
10	206-016-201-125	.BLADE ASSY (USBL ON 206-011-810-001, -117 AND . . . -121) (REPLACES 206-016-201-103)	2	1	B
10	206-016-201-127	.BLADE ASSY (NOTE 10, 12) (USBL ON 206-011-810-129, -133, -135 AND -141) (REPLACES 206-016-201-113) (REPLACED BY 206-016-201-129 AND -131)	2		K
10	206-016-201-129	.BLADE ASSY (USBL ON 206-011-810-143) (REPLACES . . 206-016-201-127)	2		
10	206-016-201-131	.BLADE ASSY (USBL ON 206-011-810-129, -133, 135, . . 141, -149 AND -151) (REPLACES 206-016-201-127)	2	1	
11	206-010-765-001	..BEARING (NOTE 9) (USBL ON 206-016-501-001, 206-016-201-001, -107, -113 AND -127) (REPLACED BY 206-310-105-101)	2	1	
11	206-310-105-101	..BEARING (REPLACES 206-010-765-001)	2	1	

(1) INDEX NUMBER	(2) PART NUMBER	(3) ITEM NAME	(4) UNIT PER ASSY	(5) A V A I L	(6) U O C
		FIGURE: 64-4. Hub and blade assembly, tail rotor (S/N 498 - sub) (Cont'd)			
12	206-010-733-003	..SLEEVE (USBL ON 206-016-201-001, -107, -113, . . . -127, -129 AND 206-016-501-001)	2	1	
13	206-016-213-101	..WASHER (POST ASB 206-85-28 FOR 2212 THRU SUB) . . .	5	1	
14	NAS1304-2H	.BOLT (NOTE 2) (REPLACED BY NAS6604H2)	4		
14	NAS6604H2	.BOLT (NOTE 2) (REPLACES NAS1304-2H)	4	1	
15	AN960-416L	.WASHER (REPLACED BY NAS1149F0432P)	4	1	
15	NAS1149F0432P	.WASHER (REPLACES AN960-416L)	4		
16	MS17825-3	.NUT (REPLACED BY MS14144L3)	4		
16	MS14144L3	.NUT (REPLACES MS17825-3)	4	1	
17	AN970-3	.WASHER (NOTE 1)	32	1	
18	AN960PD10	.WASHER (NOTE 1) (REPLACED BY AN960JD10)	4		
18	AN960JD10	.WASHER (NOTE 1) (REPLACES AN960PD10) (REPLACED . . BY NAS1149D0363J)	4		
18	NAS1149D0363J	.WASHER (NOTE 1) (REPLACES AN960JD10)	4		
19	NAS1303-13D	.BOLT (NOTE 1) (REPLACED BY NAS6603D13)	4		
19	NAS6603D13	.BOLT (NOTE 1) (REPLACES NAS1303-13D)	4	1	
19	NAS1303-14D	.BOLT (NOTE 1) (REPLACED BY NAS6603D14)	4		
19	NAS6603D14	.BOLT (NOTE 1) (REPLACES NAS1303-14D)	4	1	
19	NAS1303-15D	.BOLT (NOTE 1) (REPLACED BY NAS6603D15)	4		
19	NAS6603D15	.BOLT (NOTE 1) (REPLACES NAS1303-15D)	4	1	
19	NAS1303-16D	.BOLT (NOTE 1) (REPLACED BY NAS6603D16)	4		
19	NAS6603D16	.BOLT (NOTE 1) (REPLACES NAS1303-16D)	4	1	
19	NAS1303-17D	.BOLT (NOTE 1) (REPLACED BY NAS6603D17)	4		
19	NAS6603D17	.BOLT (NOTE 1) (REPLACES NAS1303-17D)	4	1	
19	NAS1303-18D	.BOLT (NOTE 1) (REPLACED BY NAS6603D18)	4		
19	NAS6603D18	.BOLT (NOTE 1) (REPLACES NAS1303-18D)	4	1	
19	NAS1303-19D	.BOLT (NOTE 1) (REPLACED BY NAS6603D19)	4		
19	NAS6603D19	.BOLT (NOTE 1) (REPLACES NAS1303-19D)	4	1	
20	206-011-809-001	.PITCH HORN ASSY (USBL ON 206-011-801-011 AND 206-011-810-001) (REPLACED BY 206-011-809-005)	2		B
20	206-011-809-005	.PITCH HORN ASSY (USBL ON 206-011-801-011, 206-011-810-001, - 011, -013, -117, -121, -129 AND -133) (REPLACES 206-011-809-001)	2		BH
20	206-011-809-107	.PITCH HORN ASSY (USBL ON 206-011-810-135) (REPLACED BY 206-011-809-109)	2	0	L
20	206-011-809-109	.PITCH HORN ASSY (USBL ON 206-011-810-135, -141, . . -143, -149 AND -151) (REPLACES 206-011-809-107)	2	1	R
21	MS9105-59	..PIN	1	1	
22	206-010-744-001	..STUD (USBL ON 206-011-809-001)	1	0	
22	206-010-744-003	..STUD (USBL ON 206-011-809-005)	1		
22	206-010-744-105	..STUD (USBL ON 206-011-809-107 AND -109)	1		
23	AN960-416L	.WASHER (NOTE 1) (REPLACED BY NAS1149F0432P)	8	1	
23	NAS1149F0432P	.WASHER (NOTE 1) (REPLACES AN960-416L)	8		
24	AN960-416	.WASHER (NOTE 1) (REPLACED BY NAS1149F0463P)	8	1	
24	NAS1149F0463P	.WASHER (NOTE 1) (REPLACES AN960-416)	8		
25	047-641-191-001	.WEIGHT (NOTE 1)	8	1	
26	206-011-801-007	.HUB ASSY (USBL ON 206-011-801-011) (REPLACED BY . . 206-011-810-003)	1		A

(1) INDEX NUMBER	(2) PART NUMBER	(3) ITEM NAME	(4) UNIT PER ASSY	(5) A V A I L	(6) U O C
		FIGURE: 64-4. Hub and blade assembly, tail rotor (S/N 498 - sub) (Cont'd)			
26	206-011-810-003	.HUB ASSY (USBL ON 206-011-801-011 AND 206-011-810-001) (REPLACES 206-011-801-007)	1	0	B
26	206-011-810-009	.HUB ASSY (NOTE 3, 5) (USBL ON 206-011-810-011) . . . (REPLACED BY 206-011-810-015 AND -125)	1		F
26	206-011-810-015	.HUB ASSY (NOTE 3) (USBL ON 206-011-810-011 AND . . . -013) (REPLACES 206-011-810-009) (REPLACED BY 206-011-810-125)	1		G
26	206-011-810-119	.HUB ASSY (USBL ON 206-011-810-121)	1	0	B
26	206-011-810-125	.HUB ASSY (NOTE 3) (USBL ON 206-011-810-011, -013, -117, -129, -133 AND -135) (REPLACES 206-011-810-009 AND -015) (REPLACED BY 206-011-810-139)	1		HL
26	206-011-810-139	.HUB ASSY (REPLACES 206-011-810-125) (REPLACED . . . BY 206-011-810-153)	1		HL
26	206-011-810-153	.HUB ASSY (USBL ON 206-011-810-141, -149 AND -151) (REPLACES 206-011-810-139)	1	1	HR
26A	NAS1304-2H	..BOLT (NOTE 1) (REPLACED BY NAS6604H2)	4		
26A	NAS6604H2	..BOLT (NOTE 1) (REPLACES NAS1304-2H)	4	1	
26A	NAS1304-3H	..BOLT (NOTE 1) (REPLACED BY NAS6604H3)	4	0	
26A	NAS6604H3	..BOLT (NOTE 1) (REPLACES NAS1304-3H)	4	1	
26A	NAS1304-4H	..BOLT (NOTE 1) (REPLACES NAS6604-4H) (REPLACED . . . BY NAS6604H4)	4		
26A	NAS6604H4	..BOLT (NOTE 1) (REPLACES NAS6604-4H) (REPLACES . . . NAS1304-4H)	4	1	
26A	NAS1304-5H	..BOLT (NOTE 1) (REPLACED BY NAS6604H5)	4	0	
26A	NAS6604H5	..BOLT (NOTE 1) (REPLACES NAS1304-5H)	4	1	
26A	NAS1304-6H	..BOLT (NOTE 1) (REPLACED BY 20-057-4-6H)	4	0	
26A	20-057-4-6H	..BOLT (NOTE 1) (REPLACES NAS1304-6H)	4	1	
26A	NAS1304-7H	..BOLT (NOTE 1) (REPLACED BY NAS6604H7)	4		
26A	NAS6604H7	..BOLT (NOTE 1) (REPLACES NAS1304-7H)	4	1	
26A	NAS1304-8H	..BOLT (NOTE 1) (REPLACED BY NAS6604H8)	4		
26A	NAS6604H8	..BOLT (NOTE 1) (REPLACES NAS1304-8H)	4	1	
27	206-011-814-001	..HOUSING ASSY (USBL ON 206-011-810-003, -009, . . . -015 AND -119) (REPLACED BY 206-011-814-009 AND -113)	2	0	BG
27	206-011-814-009	..HOUSING ASSY (USBL ON 206-011-810-003, -009, . . . -015 AND -125) (REPLACES 206-011-814-001) (REPLACED BY 206-011-814-113)	2	0	BHL
27	206-011-814-113	..HOUSING ASSY (REPLACES 206-011-814-001 AND . . . -009)	2	1	
28	71X7027	..SEAL (REPLACED BY 26001-7027)	1	0	
28	26001-7027	..SEAL (REPLACES 71X7027)	1	1	
29	J1212	..BEARING (REPLACED BY B1212)	1		
29	B1212	..BEARING (REPLACES J1212)	1	1	
30	NAS516-1A	..FITTING	1	1	
31	206-011-814-003	..HOUSING (USBL ON 206-011-814-001)	1		
31	206-011-814-011	..HOUSING (USBL ON 206-011-814-009 AND -113)	1		
32	047-641-173-001	..THRUST PLUG (NOTE 7) (USBL ON 206-011-810-009, . . . -015 AND -125)	2	1	

(1) INDEX NUMBER	(2) PART NUMBER	(3) ITEM NAME	(4) UNIT PER ASSY	(5) A V A I L	(6) U O C
		FIGURE: 64-4. Hub and blade assembly, tail rotor (S/N 498 - sub) (Cont'd)			
33	206-011-862-101	..THRUST PLUG (NOTE 7) (USBL ON 206-011-810-139 .. AND -153)	2	1	
34	120-006C15-0	..SHIM (NOTE 7) (USBL ON 206-011-810-009, -015 ... AND -125)	2	1	
35	206-011-861-101	..SHIM (NOTE 7) (USBL ON 206-011-810-139 AND -153)	2		
36	206-011-812-001	..TRUNNION ASSY (USBL ON 206-011-810-003, -009 . . . AND -015) (REPLACED BY 206-011-812-005)	1	0	BG
36	206-011-812-005	..TRUNNION ASSY (USBL ON 206-011-810-009, -015, .. -125, -139 AND -153) (REPLACES 206-011-812-001)	1	1	Q
37	047-641-175-001	...RACE (USBL ON 206-011-812-001)	2	1	
37	206-011-858-001	...RACE (USBL ON 206-011-812-005)	2		
38	206-011-802-001	..YOKE ASSY (USBL ON 206-011-801-007)	1		A
38	206-011-811-001	..YOKE ASSY (USBL ON 206-011-810-003) (REPLACED .. BY 206-011-811-005)	1		B
38	206-011-811-005	..YOKE ASSY (NOTE 6) (USBL ON 206-011-810-009) . . . (REPLACES 206-011-811-001) (REPLACED BY 206-011-811-009 AND 206-011-819-101)	1	0	BF
38	206-011-811-009	..YOKE ASSY (NOTE 6) (USBL ON 206-011-810-009 AND . -015) (REPLACES 206-011-811-005) (REPLACED BY 206-011-819-101)	1	0	BG
38	206-011-819-101	..YOKE ASSY (USBL ON 206-011-810-009, -015, -119 .. AND -125) (REPLACES 206-011-811-005 AND -009) (REPLACED BY 206-011-819-105) (ALTERNATE PART)	1		BHL
38	206-011-817-101	..YOKE ASSY	1	6	
38	206-011-819-105	..YOKE ASSY (NOTE 10) (USBL ON 206-011-810-009, .. -015, -125 AND -139) (REPLACES 206-011-819-101) (REPLACED BY 206-011-819-109)	1		BHL
38	206-011-819-109	..YOKE ASSY (REPLACES 206-011-819-105)	1	1	BHR
39	206-011-816-103	...BUSHING (NOTE 4) (USBL ON 206-011-819-101 AND .. -105)	8		
39	206-011-813-001	...BUSHING (NOTE 4) (USBL ON 206-011-811-005)	8	1	
39	206-011-816-001	...BUSHING (NOTE 4) (USBL ON 206-011-811-009)	8		
39	206-011-816-105	...BUSHING (USBL ON 206-011-819-109)	8		
40	SR258L	...INSERT (REPLACED BY M45932/1-13L)	4	1	
40	M45932/1-13L	...INSERT (REPLACES SR258L)	4	1	
		NOTE 1: USE AS REQUIRED FOR BALANCING PURPOSES. WASHERS 206-011-859-101 MAY BE USED WITH OR IN LIEU OF AN970-3 WASHERS. REFER TO BHT-206B3-CR&O-4.			
		NOTE 2: PROCURABLE AS SPECIAL ORDER ONLY.			

(1) INDEX NUMBER	(2) PART NUMBER	(3) ITEM NAME	(4) UNIT PER ASSY	(5) A V A I L	(6) U O C
		<p>FIGURE: 64-4. Hub and blade assembly, tail rotor (S/N 498 - sub) (Cont'd)</p> <p>NOTE 3: AT THE INITIAL REPLACEMENT OF THE 206-011-810-009 AND 015 HUB ASSY THE 206-010-742 CROSSHEAD MUST BE REPLACED WITH 206-011-857-001 CROSSHEAD. THEREAFTER THE 206-011-810-125 AND 206-011-857-001 CAN BE REPLACED INDEPENDENTLY.</p> <p>NOTE 4: IF HOLE SIZE EXCEEDS .5005/.5000 DIA, IT MAY BE BORED TO .5305/.5300 DIA, AND 206-011-821-101 BUSHING USED IN LIEU OF 206-011-816-103 BUSHING. REFER TO BHT-206B3-CR&O-4.</p> <p>NOTE 5: DO NOT USE 206-016-201-001 BLADES WITH 206-011-810-009 HUB. USE 206-011-810-015 HUB ASSY AND 206-016-201-001 BLADES IN LIEU OF 206-011-810-009 HUB ASSY AND 206-016-501-001 BLADES.</p> <p>NOTE 6: REPLACE 206-011-811, 206-011-802 OR 206-010-788 YOKE WITH 206-011-819-101 AND THE 206-010-741 CROSSHEAD WITH 206-011-857-001 OR 206-011-855-001 CROSSHEAD AS A UNIT.</p> <p>NOTE 7: REPLACE 047-641-173-001 THRUST PLUG AND 120-006C15-0 SHIM AS A UNIT WITH 206-011-862-101 THRUST PLUG AND 206-011-861-101 SHIM.</p> <p>NOTE 8: ALTERNATE FOR 20-057-6-34 AS USED IN P/N 206-011-810-149 AND -151</p> <p>NOTE 9: REPLACE P/N 206-010-765-001 AND P/N 206-010-733-003 AS A UNIT WITH 206-310-006-101</p> <p>NOTE 10: REPLACE P/N 206-016-201-127 (2) AND 206-011-819-105 AS A UNIT WITH 206-016-201-131 (2) AND 206-011-819-109</p> <p>NOTE 11: USE WITH 206-011-810-015 HUB ASSY, AS A UNIT.</p> <p>NOTE 12: REPLACE P/N 206-016-211-127 AS A UNIT WITH 206-016-201-131 AND 206-011-742-101 (4).</p>			

(1) INDEX NUMBER	(2) PART NUMBER	(3) ITEM NAME	(4) UNIT PER ASSY	(5) A V A I L	(6) U O C																																																			
		<p>FIGURE: 64-4. Hub and blade assembly, tail rotor (S/N 498 - sub) (Cont'd)</p> <p style="text-align: center;">USABLE ON CODES</p> <table border="0" style="width: 100%;"> <thead> <tr> <th style="text-align: left;">CODE</th> <th style="text-align: left;">MODEL</th> <th style="text-align: left;">SERIAL NUMBER</th> </tr> </thead> <tbody> <tr><td>A</td><td>206A/B</td><td>498-996</td></tr> <tr><td>B</td><td>206A/B</td><td>498-2211</td></tr> <tr><td>C</td><td>206B</td><td>997-2211</td></tr> <tr><td>D</td><td>206A/B/BIII</td><td>498-2308</td></tr> <tr><td>E</td><td>206A/B/BIII</td><td>498-SUB</td></tr> <tr><td>F</td><td>206BIII</td><td>2212-2308</td></tr> <tr><td>G</td><td>206BIII</td><td>2212-3864</td></tr> <tr><td>H</td><td>206BIII</td><td>2212-4004</td></tr> <tr><td>J</td><td>206BIII</td><td>2309-3208</td></tr> <tr><td>K</td><td>206BIII</td><td>3902-4316</td></tr> <tr><td>L</td><td>206BIII</td><td>4005-4316</td></tr> <tr><td>M</td><td>206BIII</td><td>3865-3901</td></tr> <tr><td>N</td><td>206BIII</td><td>3902-4004</td></tr> <tr><td>P</td><td>206BIII</td><td>4307-4316</td></tr> <tr><td>Q</td><td>206BIII</td><td>3865-SUB</td></tr> <tr><td>R</td><td>206BIII</td><td>4005-SUB</td></tr> </tbody> </table> <p>1) UNLESS A USABLE ON PART NUMBER IS LISTED IN THE ITEM NAME COLUMN; NO CODE INDICATES THE PART APPLIES TO ALL SERIAL NUMBERS.</p> <p>2) IF THE SERIAL NUMBER IS BLANK THE PART APPLIES TO ALL SERIAL NUMBERS FOR THAT MODEL.</p>	CODE	MODEL	SERIAL NUMBER	A	206A/B	498-996	B	206A/B	498-2211	C	206B	997-2211	D	206A/B/BIII	498-2308	E	206A/B/BIII	498-SUB	F	206BIII	2212-2308	G	206BIII	2212-3864	H	206BIII	2212-4004	J	206BIII	2309-3208	K	206BIII	3902-4316	L	206BIII	4005-4316	M	206BIII	3865-3901	N	206BIII	3902-4004	P	206BIII	4307-4316	Q	206BIII	3865-SUB	R	206BIII	4005-SUB			
CODE	MODEL	SERIAL NUMBER																																																						
A	206A/B	498-996																																																						
B	206A/B	498-2211																																																						
C	206B	997-2211																																																						
D	206A/B/BIII	498-2308																																																						
E	206A/B/BIII	498-SUB																																																						
F	206BIII	2212-2308																																																						
G	206BIII	2212-3864																																																						
H	206BIII	2212-4004																																																						
J	206BIII	2309-3208																																																						
K	206BIII	3902-4316																																																						
L	206BIII	4005-4316																																																						
M	206BIII	3865-3901																																																						
N	206BIII	3902-4004																																																						
P	206BIII	4307-4316																																																						
Q	206BIII	3865-SUB																																																						
R	206BIII	4005-SUB																																																						

