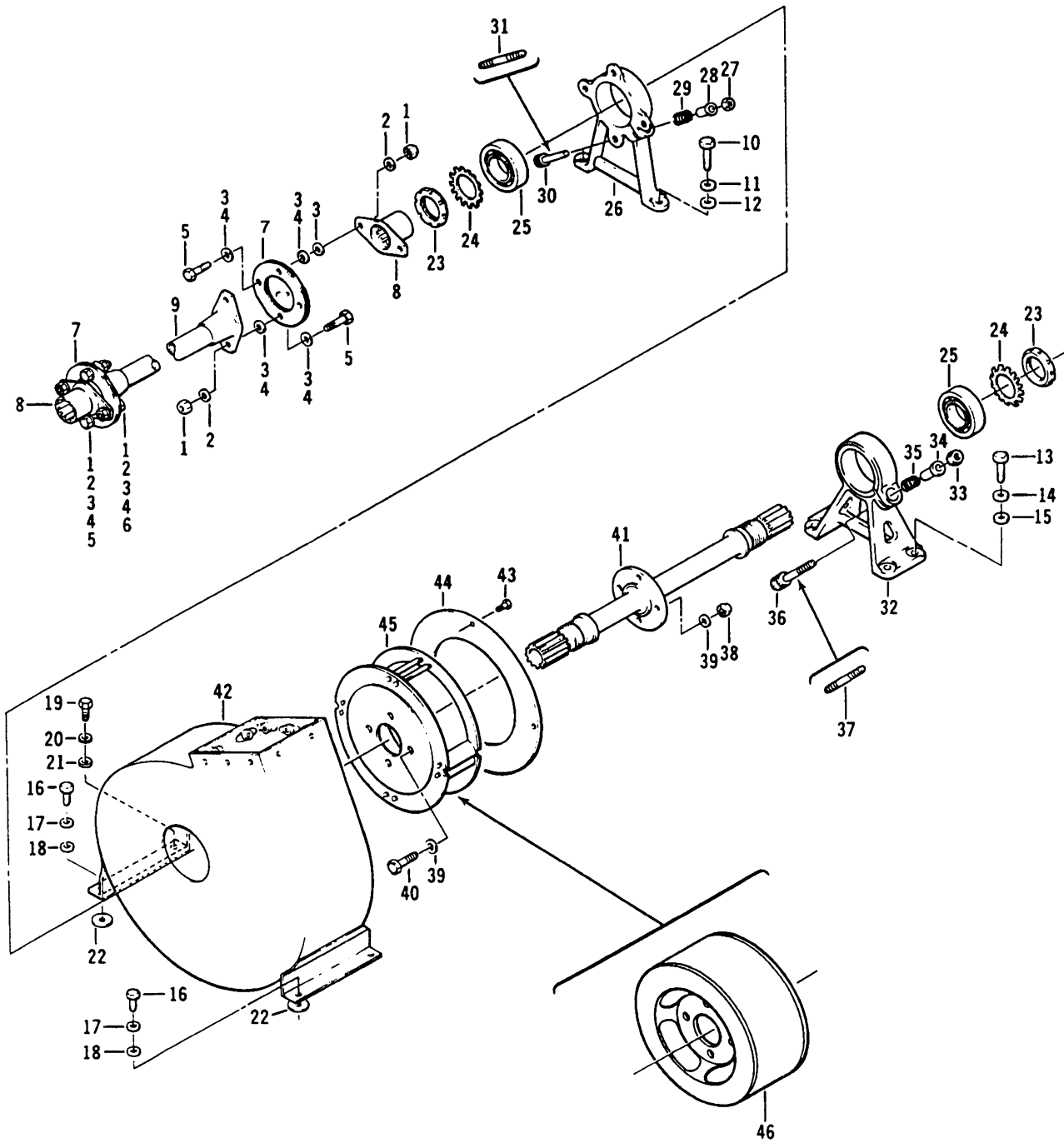


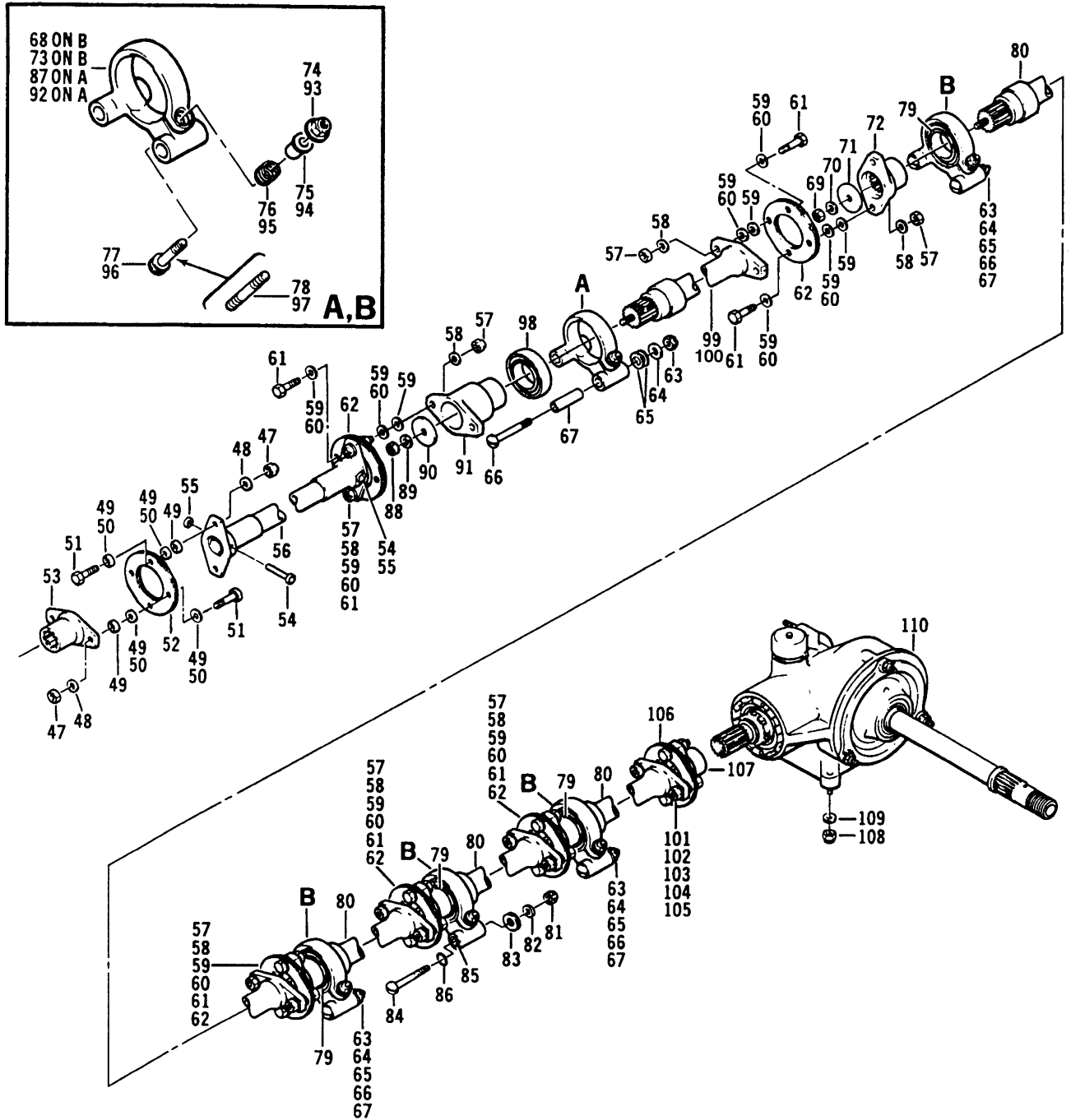
CONTENTS - IPB

Figure Number	Figure Title	Chapter/Section Number	Page Number
65-1	Driveshaft installation, tail rotor (S/N 2212 thru SUB)	65-99-00	2
65-2	Driveshaft installation, tail rotor (S/N 1252 thru 2211)	65-99-00	10
65-3	Driveshaft installation, tail rotor (S/N 914 thru 1251)	65-99-00	18
65-4	Driveshaft installation, tail rotor (S/N 4 thru 913)	65-99-00	24
65-5	Gearbox assembly, tail rotor (S/N 2212 thru SUB) ..	65-99-00	32
65-6	Gearbox assembly, tail rotor (S/N 4 thru 2211)	65-99-00	38



206A/B/B3-65-1001-1
C0000

Figure 65-1. Driveshaft installation, tail rotor (S/N 2212 thru SUB) (Sheet 1 of 2)



206A/B/B3-65-1001-2
C0000

Figure 65-1. Driveshaft installation, tail rotor (S/N 2212 thru SUB) (Sheet 2)

(1) INDEX NUMBER	(2) PART NUMBER	(3) ITEM NAME	(4) UNIT PER ASSY	(5) A V A I L	(6) U O C
		FIGURE: 65-1. Driveshaft installation, tail rotor (S/N 2212 thru SUB)			
	206-040-301-027	DRIVESHAFT INSTL, TAIL ROTOR	1		
	206-040-301-103	DRIVESHAFT INSTL, TAIL ROTOR	1		
	206-040-301-101	DRIVESHAFT INSTL, TAIL ROTOR	1		
	206-040-301-109	DRIVESHAFT INSTL, TAIL ROTOR	1		
1	MS21042L4	.NUT	8	1	
2	AN960-416L	.WASHER (REPLACED BY NAS1149F0432P)	8	1	
2	NAS1149F0432P	.WASHER (REPLACES AN960-416L)	8		
3	206-040-329-003	.WASHER (USE WITH 206-040-328-003) (NOTE 1)	20	1	
4	206-040-329-003	.WASHER (USE WITH 206-040-328-101) (NOTE 1)	16	1	
5	AN174-6A	.BOLT	4	1	
6	AN174-7A	.BOLT	4	1	
7	32721-1	.DISC ASSY	2	1	
8	206-040-328-003	.ADAPTER (NOTE 1) (REPLACED BY 206-040-328-101)	2		
8	206-040-328-101	.ADAPTER (NOTE 1) (REPLACES 206-040-328-003)	2	1	
9	206-040-325-005	.SHAFT ASSY (USBL ON 206-040-301-027 AND -103)	1	1	D
9	206-040-325-013	.SHAFT ASSY (USBL ON 206-040-301-101 AND -109)	1	1	Q
10	AN174H10A	.BOLT	2	1	
11	AN960-416L	.WASHER (REPLACED BY NAS1149F0432P)	2	1	
11	NAS1149F0432P	.WASHER (REPLACES AN960-416L)	2		
12	NAS1197-416	.WASHER	2	1	
13	AN174H6A	.BOLT	4	1	
14	AN960-416L	.WASHER (REPLACED BY NAS1149F0432P)	4	1	
14	NAS1149F0432P	.WASHER (REPLACES AN960-416L)	4		
15	NAS1197-416	.WASHER	4	1	
16	AN3-4A	.BOLT	3	1	
17	AN960-10L	.WASHER (REPLACED BY NAS1149F0332P)	3		
17	NAS1149F0332P	.WASHER (REPLACES AN960-10L)	3		
18	NAS1197-10	.WASHER	3	1	
19	AN3-5A	.BOLT	1	1	
20	AN960-10L	.WASHER (REPLACED BY NAS1149F0332P)	1		
20	NAS1149F0332P	.WASHER (REPLACES AN960-10L)	1		
21	NAS1197-10	.WASHER	1	1	
22	120-038-28-7	.SHIM	4	1	
	206-040-301-029	.SHAFT ASSY (USBL ON 206-040-301-027)	1	0	B
	206-040-301-105	.SHAFT ASSY (USBL ON 206-040-301-101 AND -103)	1		FH
	206-040-301-107	.SHAFT ASSY (USBL ON 206-040-301-101 AND -109)	1		HS
23	MS172242	.NUT	2	1	
24	MS172207	.WASHER	2	1	
25	206-040-339-009	.BEARING (USBL ON 206-040-301-029 AND -105) (REPLACED BY 206-040-339-101)	2	1	
25	206-040-339-101	.BEARING (REPLACES 206-040-339-009) (ALTERNATE PART)	2		
25	206-040-339-103	.BEARING	2		
26	206-040-346-017	.HANGER ASSY (ALTERNATE PART)	1	1	
26	206-040-346-101	.HANGER ASSY	1		
27	MS21042L4	.NUT	1	1	
28	206-040-351-003	.SPACER	1	1	
29	206-040-352-001	.SPRING	1	1	

(1) INDEX NUMBER	(2) PART NUMBER	(3) ITEM NAME	(4) UNIT PER ASSY	(5) A V A I L	(6) U O C
		FIGURE: 65-1. Driveshaft installation, tail rotor (S/N 2212 thru SUB) (Cont'd)			
30	RBA144SA27	...BOLT, CLINCH (USBL ON 206-040-346-017)	1	1	
31	AN126023	...STUD, .003 UNDERSIZE (USBL ON 206-040-352-101)	1	1	
31	AN126024	...STUD, STANDARD (USBL ON 206-040-346-101)	1	1	
31	AN126025	...STUD, .003 OVERSIZE (USBL ON 206-040-346-101)	1	1	
31	AN126026	...STUD, .006 OVERSIZE (USBL ON 206-040-346-101)	1	1	
32	206-040-355-001	..HANGER ASSY (ALTERNATE PART)	1		
32	206-040-355-101	..HANGER ASSY	1	6	
33	MS21042L4	...NUT	1	1	
34	206-040-351-003	...SPACER	1	1	
35	206-040-352-001	...SPRING	1	1	
36	RBA144SA27	...BOLT, CLINCH (USBL ON 206-040-355-001)	1	1	
37	AN126023	...STUD, .003 UNDERSIZE (USBL ON 206-040-352-101)	1	1	
37	AN126024	...STUD, STANDARD (USBL ON 206-040-355-101)	1	1	
37	AN126025	...STUD, .003 OVERSIZE (USBL ON 206-040-355-101)	1	1	
37	AN126026	...STUD, .006 OVERSIZE (USBL ON 206-040-355-101)	1	1	
38	MS21042L4	...NUT	4	1	
39	AN960-416L	..WASHER (NOTE 2) (REPLACED BY NAS1149F0432P)	28	1	
39	NAS1149F0432P	..WASHER (NOTE 2) (REPLACES AN960-416L)	28		
40	AN4-6A	..BOLT (NOTE 2)	2	1	
40	AN4-5A	..BOLT	4	1	
41	206-040-320-011	..SHAFT (USBL ON 206-040-301-029) (REPLACED BY . . . 206-040-320-015 AND -103)	1	0	C
41	206-040-320-015	..SHAFT (REPLACES 206-040-320-011) (REPLACED BY . . . 206-040-320-103)	1		D, J
41	206-040-320-103	..SHAFT (REPLACES 206-040-320-011 AND -015)	1	1	
42	206-061-432-015	..BLOWER ASSY, OIL COOLER (USBL ON 206-040-301-029) (REPLACED BY 206-061-432-037 AND -111)	1	0	A
42	206-061-432-037	..BLOWER ASSY, OIL COOLER (USBL ON 206-040-301-029) (REPLACES 206-061-432-015) (REPLACED BY 206-061-432-111)	1		B
42	206-061-432-111	..BLOWER ASSY, OIL COOLER (REPLACES 206-061-432-015 AND -037)	1	1	
43	86D35-8	...SCREW	4		
44	206-061-432-013	...COVER	1	1	
45	206-061-432-011	...IMPELLER (USBL ON 206-061-432-015) (REPLACED . . . BY 206-061-432-031 AND -109)	1	0	A
45	206-061-432-031	...IMPELLER (USBL ON 206-061-432-037) (REPLACES . . . 206-061-432-011) (REPLACED BY 206-061-432-109)	1	0	B
46	206-061-432-109	...IMPELLER (REPLACES 206-061-432-011 AND -031)	1	1	
47	MS21042L4	..NUT	4	1	
48	AN960-416L	..WASHER (REPLACED BY NAS1149F0432P)	4	1	
48	NAS1149F0432P	..WASHER (REPLACES AN960-416L)	4		
49	206-040-329-003	..WASHER (USE WITH 206-040-328-003) (NOTE 1)	10	1	
50	206-040-329-003	..WASHER (USE WITH 206-040-328-101) (NOTE 1)	8	1	

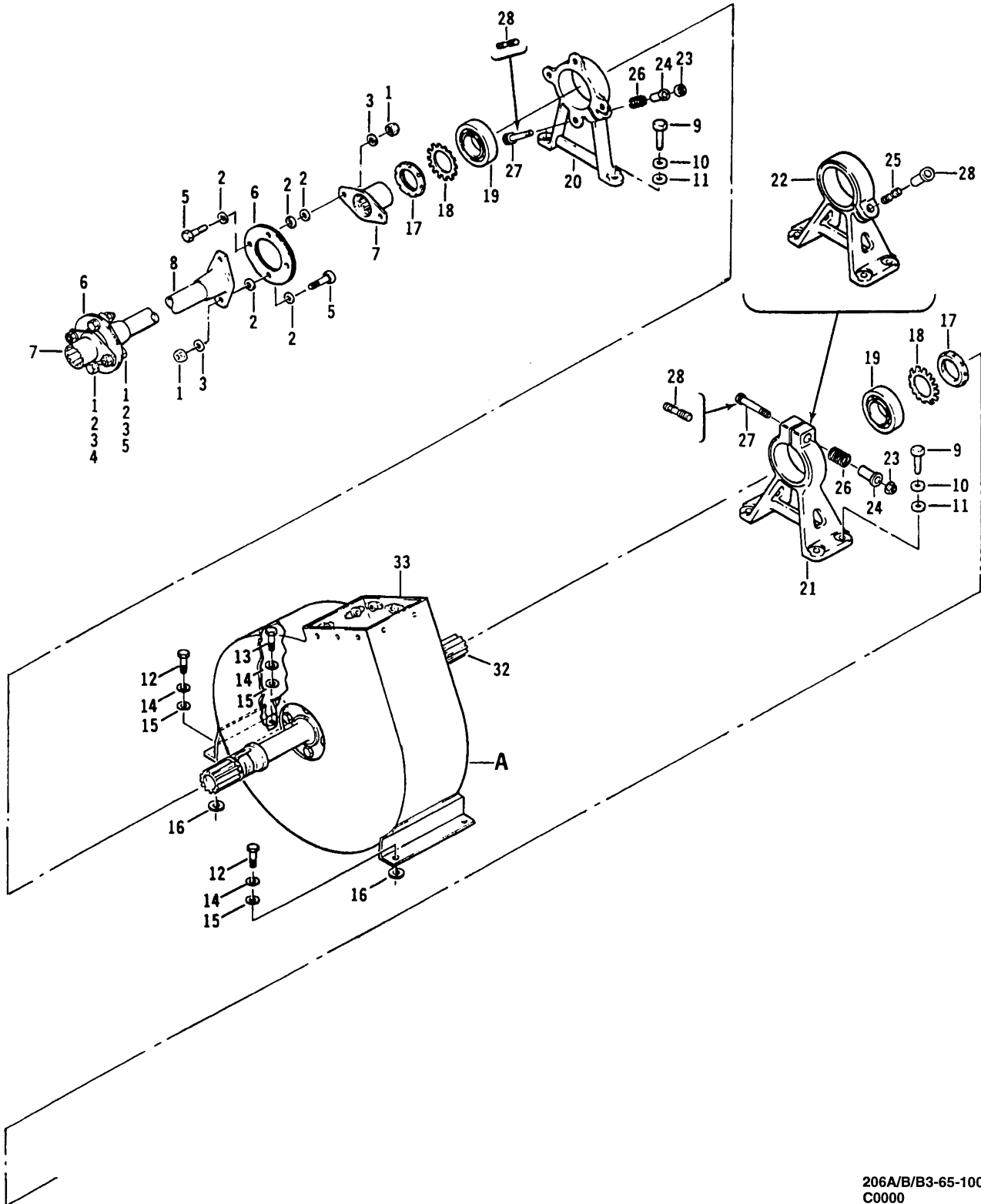
(1) INDEX NUMBER	(2) PART NUMBER	(3) ITEM NAME	(4) UNIT PER ASSY	(5) A V A I L	(6) U O C
		FIGURE: 65-1. Driveshaft installation, tail rotor (S/N 2212 thru SUB) (Cont'd)			
51	AN174-7A	.BOLT	4	1	
52	32721-1	.DISC ASSY	1	1	
53	206-040-328-003	.ADAPTER (NOTE 1) (USBL ON 206-040-301-027, -103 AND -101) (REPLACED BY 206-040-328-101)	1		D, J
53	206-040-328-101	.ADAPTER (NOTE 1) (REPLACES 206-040-328-003)	1	1	
54	206-040-332-003	.PIN (USBL ON 206-040-301-027 AND -103)	2	1	D
55	AN960PD10	.WASHER (USBL ON 206-040-301-027 AND -103) (REPLACED BY AN960JD10)	2		D
55	AN960JD10	.WASHER (USBL ON 206-040-301-027 AND -103) (REPLACES AN960PD10) (REPLACED BY NAS1149D0363J)	2		D
55	NAS1149D0363J	.WASHER (USBL ON 206-040-301-027 AND -103) (REPLACES AN960JD10)	2		D
56	206-040-330-003	.DRIVESHAFT ASSY (USBL ON 206-040-301-027 AND -103) (REPLACED BY 206-040-330-101)	1		D
56	206-040-330-101	.DRIVESHAFT ASSY (USBL ON 206-040-301-027 AND -103)	1		D
56	206-040-369-001	.DRIVESHAFT ASSY (USBL ON 206-040-301-101) (REPLACED BY 206-040-369-101)	1		H
56	206-040-369-101	.DRIVESHAFT ASSY (USBL ON 206-040-301-101)	1	1	L
56	206-040-383-101	.DRIVESHAFT ASSY (USBL ON 206-040-301-109)	1		R
57	MS21042L4	.NUT	20	1	
58	AN960-416	.WASHER (REPLACED BY NAS1149F0463P)	20	1	
58	NAS1149F0463P	.WASHER (REPLACES AN960-416)	20		
59	206-040-329-003	.WASHER (USE WITH 206-040-328-003) (NOTE 1)	50	1	
60	206-040-329-003	.WASHER (USE WITH 206-040-328-101) (NOTE 1)	40	1	
61	AN174-7A	.BOLT	20	1	
62	32721-1	.DISC ASSY	5	1	
63	AN310-4	.NUT	8	1	
64	AN960PD416L	.WASHER (REPLACED BY AN960JD416L)	8		
64	AN960JD416L	.WASHER (REPLACES AN960PD416L) (REPLACED BY NAS1149D0416J)	8	1	
64	NAS1149D0416J	.WASHER (REPLACES AN960JD416L)	8	1	
65	AN960PD616	.WASHER (REPLACED BY AN960JD616)	16		
65	AN960JD616	.WASHER (REPLACES AN960PD616) (REPLACED BY NAS1149D0663J)	16		
65	NAS1149D0663J	.WASHER (REPLACES AN960JD616)	16		
66	206-040-323-003	.SCREW	8	1	
67	206-040-322-001	.BUSHING	8	1	
68	206-040-930-009	.HANGER ASSY, SHAFT AND BEARING (USBL ON 206-040-301-027 AND -103) (REPLACED BY 206-040-930-105)	4	0	D
68	206-040-930-105	.HANGER ASSY, SHAFT AND BEARING (USBL ON 206-040-301-027 AND -103) (REPLACES 206-040-930-009)	1		D
68	206-040-930-101	.HANGER ASSY, SHAFT AND BEARING (USBL ON 206-040-301-101) (REPLACED BY 206-040-930-109)	4	0	H
68	206-040-930-109	.HANGER ASSY, SHAFT AND BEARING (USBL ON 206-040-301-101) (REPLACES 206-040-930-101)	4	6	HM

(1) INDEX NUMBER	(2) PART NUMBER	(3) ITEM NAME	(4) UNIT PER ASSY	(5) A V A I L	(6) U O C
		FIGURE: 65-1. Driveshaft installation, tail rotor (S/N 2212 thru SUB) (Cont'd)			
68	206-040-930-113	.HANGER ASSY, SHAFT AND BEARING (USBL ON 206-040-301-101)	4		P
68	206-040-387-105	.HANGER ASSY, SHAFT AND BEARING (USBL ON 206-040-301-109)	4		S
69	MS21042L4	..NUT	1	1	
70	AN960-416	..WASHER (REPLACED BY NAS1149F0463P)	1	1	
70	NAS1149F0463P	..WASHER (REPLACES AN960-416)	1		
71	206-040-932-001	..PLATE	1	1	
72	206-040-929-001	..ADAPTER (ALTERNATE PART)	1	0	
72	206-040-363-001	..ADAPTER	1	1	
73	206-040-338-009	..HANGER ASSY (ALTERNATE PART)	1	1	
73	206-040-338-101	..HANGER ASSY	1		
74	MS21042L4	..NUT	1	1	
75	206-040-351-001	..SPACER	1	1	
76	206-040-352-001	..SPRING	1	1	
77	RBA144SA26	..BOLT (USBL ON 206-040-338-009)	1	0	
78	AN126017	..STUD, .003 UNDERSIZE (USBL ON 206-040-338-101)	1	6	
78	AN126018	..STUD, STANDARD (USBL ON 206-040-338-101)	1	1	
78	AN126019	..STUD, .006 OVERSIZE (USBL ON 206-040-338-101)	1	1	
78	AN126020	..STUD, .009 OVERSIZE (USBL ON 206-040-338-101)	1	6	
78	AN126021	..STUD, .009 OVERSIZE (USBL ON 206-040-338-101)	1	1	
78	AN126022	..STUD, .012 OVERSIZE (USBL ON 206-040-338-101)	1	1	
79	206-040-339-009	..BEARING (USBL ON 206-040-930-009, -105, -101 AND -109) (REPLACED BY 204-040-339-101)	1	1	
79	206-040-339-101	..BEARING (REPLACES 206-040-339-009) (ALTERNATE PART)	1		
79	206-040-339-103	..BEARING	1		
80	206-040-931-009	..SHAFT ASSY (USBL ON 206-040-930-009)	1		D
80	206-040-931-101	..SHAFT ASSY (USBL ON 206-040-930-105)	1		
80	206-040-365-101	..SHAFT ASSY (USBL ON 206-040-930-101)	1		H
80	206-040-365-121	..SHAFT ASSY (USBL ON 206-040-930-109 AND -113)	1		L
80	206-040-385-109	..SHAFT ASSY (USBL ON 206-040-387-105)	1		R
81	AN310-4	..NUT	2	1	
82	AN960PD416L	..WASHER (REPLACED BY AN960JD416L)	2		
82	AN960JD416L	..WASHER (REPLACES AN960PD416L) (REPLACED BY NAS1149D0416J)	2	1	
82	NAS1149D0416J	..WASHER (REPLACES AN960JD416L)	2	1	
83	AN960PD616	..WASHER (REPLACED BY AN960JD616)	4		
83	AN960JD616	..WASHER (REPLACES AN960PD616) (REPLACED BY NAS1149D0663J)	4		
83	NAS1149D0663J	..WASHER (REPLACES AN960JD616)	4		
84	206-040-323-003	..SCREW	2	1	
85	206-040-322-001	..BUSHING	2	1	
86	MS29561-110	..PACKING, PREFORMED (REPLACED BY M83248/1-110)	2		
86	M83248/1-110	..PACKING, PREFORMED (REPLACES MS29561-110)	2	1	

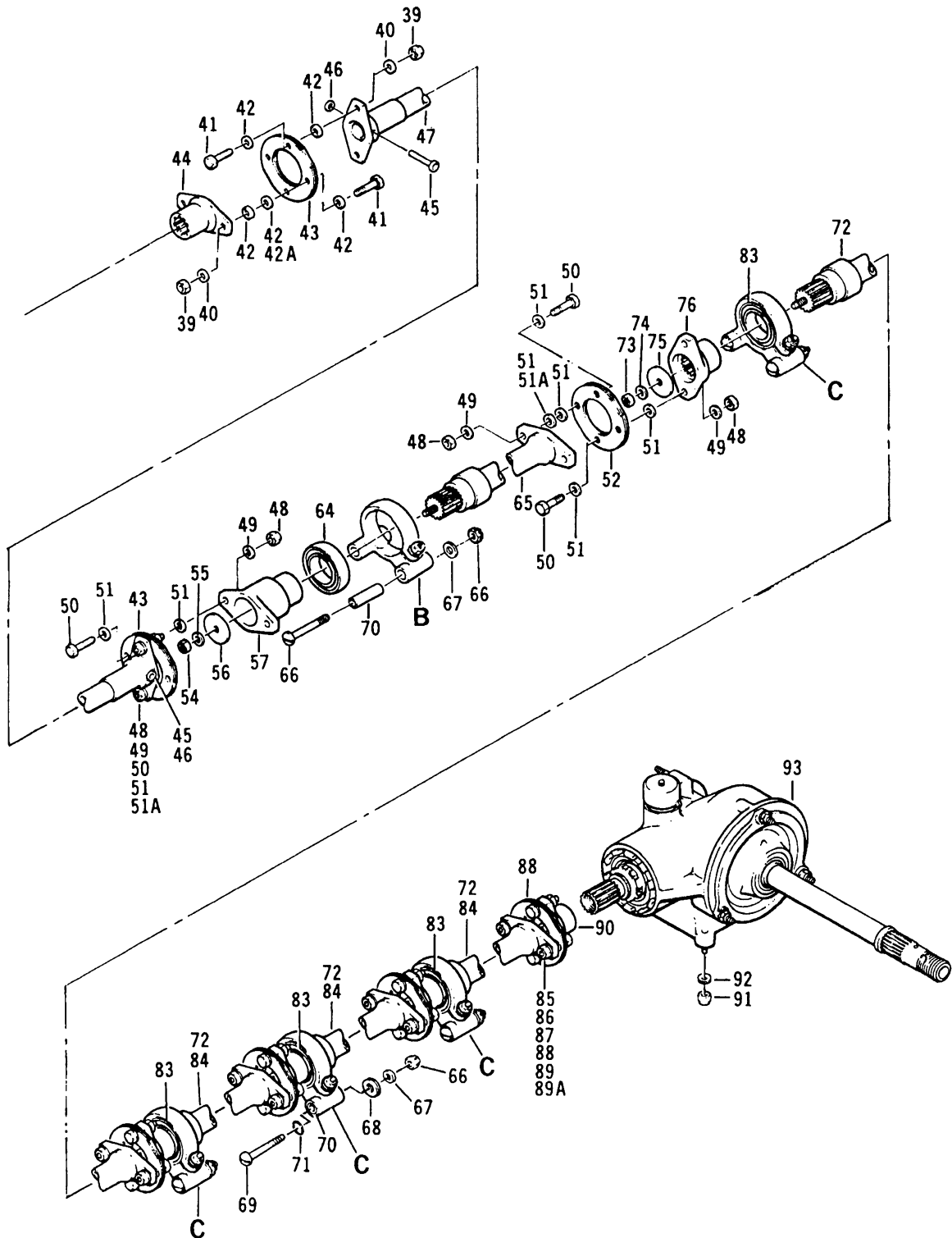
(1) INDEX NUMBER	(2) PART NUMBER	(3) ITEM NAME	(4) UNIT PER ASSY	(5) A V A I L	(6) U O C
		FIGURE: 65-1. Driveshaft installation, tail rotor (S/N 2212 thru SUB) (Cont'd)			
87	206-040-930-011	.HANGER ASSY (USBL ON 206-040-301-027 AND -103) . . (REPLACED BY 206-040-930-107)	1	0	D
87	206-040-930-107	.HANGER ASSY (USBL ON 206-040-301-027 AND -103) . . (REPLACES 206-040-930-011)	1		D
87	206-040-930-103	.HANGER ASSY (USBL ON 206-040-301-101) (REPLACED . BY 206-040-930-111)	1	0	H
87	206-040-930-111	.HANGER ASSY (USBL ON 206-040-301-101) (REPLACES . 206-040-930-103)	1		HM
87	206-040-930-115	.HANGER ASSY (USBL ON 206-040-301-101)	1		N
87	206-040-387-103	.HANGER ASSY (USBL ON 206-040-301-109)	1		R
88	MS21042L4	. .NUT	1	1	
89	AN960-416	. .WASHER (REPLACED BY NAS1149F0463P)	1	1	
89	NAS1149F0463P	. .WASHER (REPLACES AN960-416)	1		
90	206-040-932-001	. .PLATE	1	1	
91	206-040-929-003	. .ADAPTER (USBL ON 206-040-930-011 AND -107)	1	1	D
91	206-040-363-101	. .ADAPTER (USBL ON 206-040-930-103, -111, -115 . . . AND 206-040-387-103)	1	1	H
92	206-040-338-009	. .HANGER ASSY (ALTERNATE PART)	1	1	
92	206-040-338-101	. .HANGER ASSY	1		
93	MS21042L4	. .NUT	1	1	
94	206-040-351-001	. .SPACER	1	1	
95	206-040-352-001	. .SPRING	1	1	
96	RBA144SA26	. .BOLT, CLINCH (USBL ON 206-040-338-009)	1	0	
97	AN126018	. .STUD, STANDARD (USBL ON 206-040-338-101)	1	1	
97	AN126017	. .STUD, .003 UNDERSIZE	1	6	
97	AN126019	. .STUD, .006 OVERSIZE	1	1	
97	AN126020	. .STUD, .009 OVERSIZE	1	6	
97	AN126021	. .STUD, .009 OVERSIZE	1	1	
97	AN126022	. .STUD, .012 OVERSIZE	1	1	
98	206-040-339-009	. .BEARING (USBL ON 206-040-930-011, -107, -103 . . . AND -111) (REPLACED BY 206-040-339-101)	1	1	
98	206-040-339-101	. .BEARING (USBL ON 206-040-930-115 AND 206-040-387-103) (REPLACES 206-040-339-009) (ALTERNATE PART)	1		
98	206-040-339-103	. .BEARING	1		
99	206-040-931-011	. .SHAFT ASSY (USBL ON 206-040-930-011) (REPLACED . BY 206-040-931-103)	1		D
99	206-040-931-103	. .SHAFT ASSY (USBL ON 206-040-930-011) (REPLACES . 206-040-931-011)	1		D
99	206-040-931-103	. .SHAFT ASSY (USBL ON 206-040-930-011 AND -107) . .	1		D
100	206-040-365-105	. .SHAFT ASSY (USBL ON 206-040-930-103) (REPLACED . BY 206-040-365-123)	1		H
100	206-040-365-123	. .SHAFT ASSY (USBL ON 206-040-930-103, -111 AND . . -115) (REPLACES 206-040-365-105)	1	1	L
100	206-040-385-105	. .SHAFT ASSY (USBL ON 206-040-387-103)	1		R
101	MS21042L4	.NUT	4	1	
102	AN960-416L	.WASHER (REPLACED BY NAS1149F0432P)	4	1	
102	NAS1149F0432P	.WASHER (REPLACES AN960-416L)	4		

(1) INDEX NUMBER	(2) PART NUMBER	(3) ITEM NAME	(4) UNIT PER ASSY	(5) A V A I L	(6) U O C
FIGURE: 65-1. Driveshaft installation, tail rotor (S/N 2212 thru SUB) (Cont'd)					
103	206-040-329-003	.WASHER (USE WITH 206-040-328-003) (NOTE 1)	10	1	
104	206-040-329-003	.WASHER (USE WITH 206-040-328-101) (NOTE 1)	8	1	
105	AN174-7A	.BOLT	4	1	
106	32721-1	.DISC ASSY	1	1	
107	206-040-328-003	.ADAPTER (NOTE 1) (REPLACED BY 206-040-328-101) . .	1		
107	206-040-328-101	.ADAPTER (NOTE 1) (REPLACES 206-040-328-003)	1	1	
108	MS21042L4	.NUT	4	1	
109	AN960-416L	.WASHER (REPLACED BY NAS1149F0432P)	4	1	
109	NAS1149F0432P	.WASHER (REPLACES AN960-416L)	4		
110	206-040-400-013	.GEARBOX ASSY, TAIL ROTOR (SEE FIG. 5 FOR BREAKDOWN) (USBL ON 206-040-301-027 AND -103) (REPLACED BY 206-040-400-107)	1	1	D
110	206-040-400-107	.GEARBOX ASSY, TAIL ROTOR (SEE FIG. 5 FOR BREAKDOWN) (USBL ON 206-040-301-027 AND -103) (REPLACES 206-040-400-013)	1		D
110	206-040-402-003	.GEARBOX ASSY, TAIL ROTOR (SEE FIG. 5 FOR BREAKDOWN) (USBL ON 206-040-301-101) (REPLACED BY 206-040-402-107) (ALTERNATE PART)	1	1	K
110	206-040-402-105	.GEARBOX ASSY, TAIL ROTOR (SEE FIG. 5 FOR BREAKDOWN) (USBL ON 206-040-301-101)	1		K
110	206-040-402-107	.GEARBOX ASSY, TAIL ROTOR (SEE FIG. 5 FOR BREAKDOWN) (USBL ON 206-040-301-101 AND -109) (REPLACES 206-040-402-003)	1		Q
<p>NOTE 1: P/N 206-040-328-003 ADAPTER AND (2) 206-040-329-003 WASHERS AS A UNIT ARE REPLACED BY P/N 206-040-328-101. SEE MAINTENANCE MANUAL FOR REPLACEMENT PROCEDURES.</p> <p>NOTE 2: SEE MAINTENANCE MANUAL FOR USAGE.</p>					

(1) INDEX NUMBER	(2) PART NUMBER	(3) ITEM NAME	(4) UNIT PER ASSY	(5) A V A I L	(6) U O C																																																						
		<p align="center">FIGURE: 65-1. Driveshaft installation, tail rotor (S/N 2212 thru SUB) (Cont'd)</p> <p align="center">USABLE ON CODES</p> <table border="0"> <thead> <tr> <th>CODE</th> <th>MODEL</th> <th>SERIAL NUMBER</th> </tr> </thead> <tbody> <tr><td>A</td><td>206BIII</td><td>2212-2298</td></tr> <tr><td>B</td><td>206BIII</td><td>2212-3967</td></tr> <tr><td>C</td><td>206BIII</td><td>2212-3086</td></tr> <tr><td>D</td><td>206BIII</td><td>2212-4004</td></tr> <tr><td>E</td><td>206BIII</td><td>3960-SUB</td></tr> <tr><td>F</td><td>206BIII</td><td>3968-4004</td></tr> <tr><td>G</td><td>206BIII</td><td>4005-4311</td></tr> <tr><td>H</td><td>206BIII</td><td>4005-4323</td></tr> <tr><td>J</td><td>206BIII</td><td>4005-4422</td></tr> <tr><td>K</td><td>206BIII</td><td>4005-4427</td></tr> <tr><td>L</td><td>206BIII</td><td>4324-4523</td></tr> <tr><td>M</td><td>206BIII</td><td>4324-4498</td></tr> <tr><td>N</td><td>206BIII</td><td>4499-SUB</td></tr> <tr><td>P</td><td>206BIII</td><td>4499-4523</td></tr> <tr><td>Q</td><td>206BIII</td><td>4005-SUB</td></tr> <tr><td>R</td><td>206BIII</td><td>4428-SUB</td></tr> <tr><td>S</td><td>206BIII</td><td>4524-SUB</td></tr> </tbody> </table> <p>1) UNLESS A USABLE ON PART NUMBER IS LISTED IN THE ITEM NAME COLUMN; NO CODE INDICATES THE PART APPLIES TO ALL SERIAL NUMBERS.</p> <p>2) IF THE SERIAL NUMBER IS BLANK THE PART APPLIES TO ALL SERIAL NUMBERS FOR THAT MODEL.</p>	CODE	MODEL	SERIAL NUMBER	A	206BIII	2212-2298	B	206BIII	2212-3967	C	206BIII	2212-3086	D	206BIII	2212-4004	E	206BIII	3960-SUB	F	206BIII	3968-4004	G	206BIII	4005-4311	H	206BIII	4005-4323	J	206BIII	4005-4422	K	206BIII	4005-4427	L	206BIII	4324-4523	M	206BIII	4324-4498	N	206BIII	4499-SUB	P	206BIII	4499-4523	Q	206BIII	4005-SUB	R	206BIII	4428-SUB	S	206BIII	4524-SUB			
CODE	MODEL	SERIAL NUMBER																																																									
A	206BIII	2212-2298																																																									
B	206BIII	2212-3967																																																									
C	206BIII	2212-3086																																																									
D	206BIII	2212-4004																																																									
E	206BIII	3960-SUB																																																									
F	206BIII	3968-4004																																																									
G	206BIII	4005-4311																																																									
H	206BIII	4005-4323																																																									
J	206BIII	4005-4422																																																									
K	206BIII	4005-4427																																																									
L	206BIII	4324-4523																																																									
M	206BIII	4324-4498																																																									
N	206BIII	4499-SUB																																																									
P	206BIII	4499-4523																																																									
Q	206BIII	4005-SUB																																																									
R	206BIII	4428-SUB																																																									
S	206BIII	4524-SUB																																																									

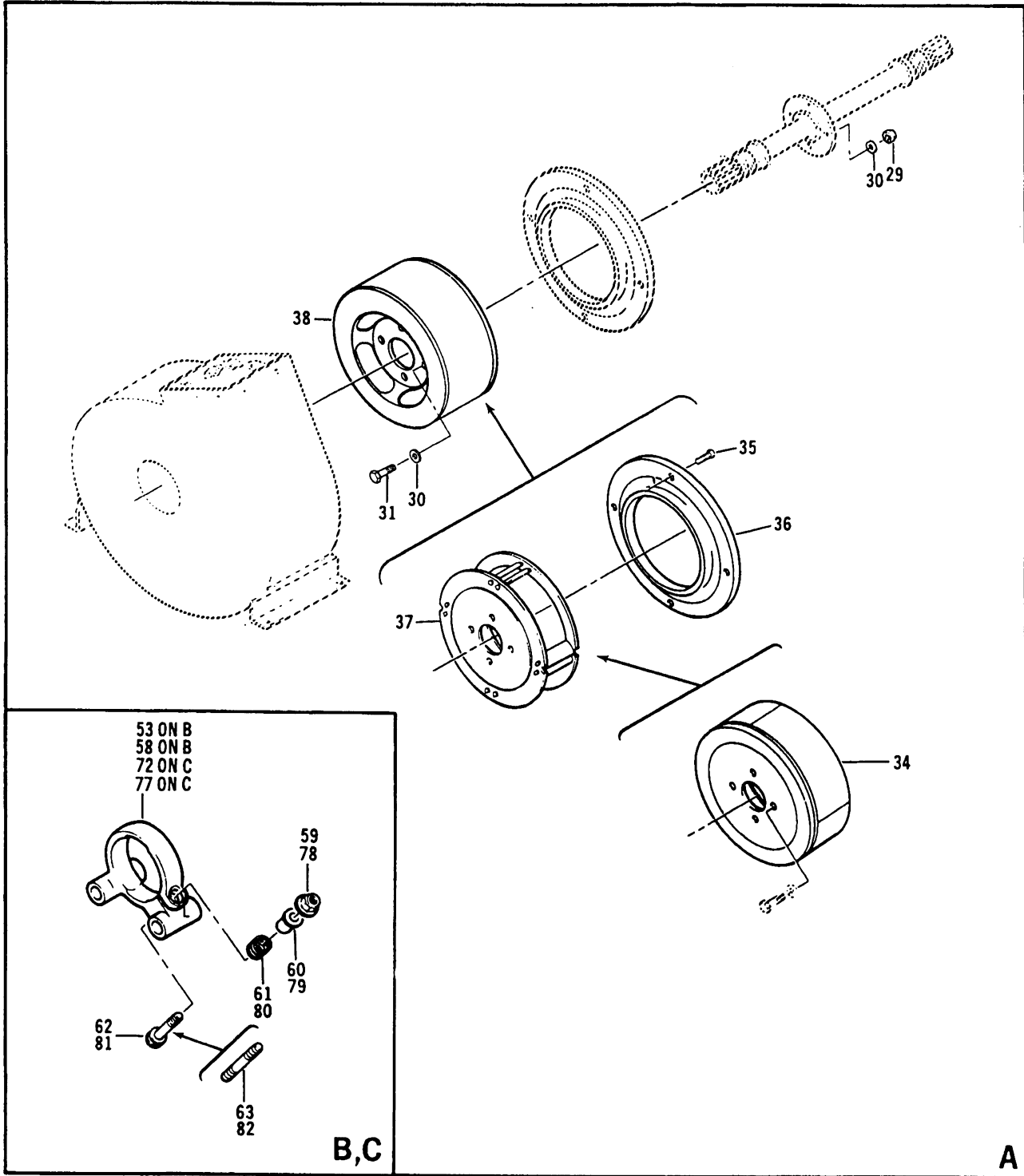


206A/B/B3-65-1002-1
C0000



206A/B/B3-65-1002-2
C0000

Figure 65-2. Driveshaft installation, tail rotor (S/N 1252 thru 2211) (Sheet 2)



206A/B/B3-65-1002-3
C0000

Figure 65-2. Driveshaft installation, tail rotor (S/N 1252 thru 2211) (Sheet 3)

(1) INDEX NUMBER	(2) PART NUMBER	(3) ITEM NAME	(4) UNIT PER ASSY	(5) A V A I L	(6) U O C
		FIGURE: 65-2. Driveshaft installation, tail rotor (S/N 1252 thru 2211)			
	206-040-301-019	DRIVESHAFT INSTL, TAIL ROTOR	REF	0	
	206-040-301-021	DRIVESHAFT INSTL, TAIL ROTOR	REF	0	
1	MS21042L4	.NUT	8	1	
2	206-040-329-003	.WASHER (USE WITH 206-040-328-003)	20	1	
2	206-040-329-003	.WASHER (USE WITH 206-040-328-101)	16	1	
3	AN960-416L	.WASHER (REPLACED BY NAS1149F0432P)	8	1	
3	NAS1149F0432P	.WASHER (REPLACES AN960-416L)	8		
4	AN174-6A	.BOLT	4	1	
5	AN174-7A	.BOLT	4	1	
6	32721-1	.DISC ASSY	2	1	
7	206-040-328-003	.ADAPTER, SLIP (REPLACED BY 206-040-328-101)	2		
7	206-040-328-101	.ADAPTER, SLIP (REPLACES 206-040-328-003)	2	1	
8	206-040-325-005	.SHAFT ASSY	1	1	
9	AN174H10A	.BOLT	6	1	
10	AN960-416L	.WASHER (REPLACED BY NAS1149F0432P)	6	1	
10	NAS1149F0432P	.WASHER (REPLACES AN960-416L)	6		
11	NAS1197-416	.WASHER	6	1	
12	AN3-4A	.BOLT	3	1	
13	AN3-5A	.BOLT	1	1	
14	AN960-10L	.WASHER (REPLACED BY NAS1149F0332P)	4		
14	NAS1149F0332P	.WASHER (REPLACES AN960-10L)	4		
15	NAS1197-10	.WASHER	4	1	
16	120-038-28-7	.SHIM	4	1	
	206-040-301-017	.SHAFT ASSY, FAN (USBL ON 206-040-301-019) (REPLACED BY 206-040-301-023)	1	0	
	206-040-301-023	.SHAFT ASSY, FAN (REPLACES 206-040-301-017)	1	0	
17	MS172242	.NUT	2	1	
18	MS172207	.WASHER	2	1	
19	206-040-339-005	..BEARING (USBL ON 206-040-301-017) (REPLACED BY 206-040-339-009 AND -101)	2	0	
19	206-040-339-009	..BEARING (USBL ON 206-040-930-017 AND -023) (REPLACES 206-040-339-005) (REPLACED BY 206-040-339-101)	2	1	
19	206-040-339-101	..BEARING (REPLACES 206-040-339-005 AND -009) (ALTERNATE PART)	2		
19	206-040-339-103	..BEARING	1		
20	206-040-346-009	..HANGER ASSY (USBL ON 206-040-301-017) (REPLACED BY 206-040-346-017).	1	0	
20	206-040-346-017	..HANGER ASSY (REPLACES 206-040-346-009) (ALTERNATE PART)	1	1	
20	206-040-346-101	..HANGER ASSY	1		
21	206-040-345-009	..HANGER ASSY (USBL ON 206-040-301-017) (REPLACED BY 206-040-355-001)	1	6	
22	206-040-355-001	..HANGER ASSY (REPLACES 206-040-345-009) (ALTERNATE PART)	1		
22	206-040-355-101	..HANGER ASSY	1	6	
23	MS21042L4	...NUT	1	1	
24	206-040-351-005	...SPACER (USBL ON 206-040-345-009)	1	1	

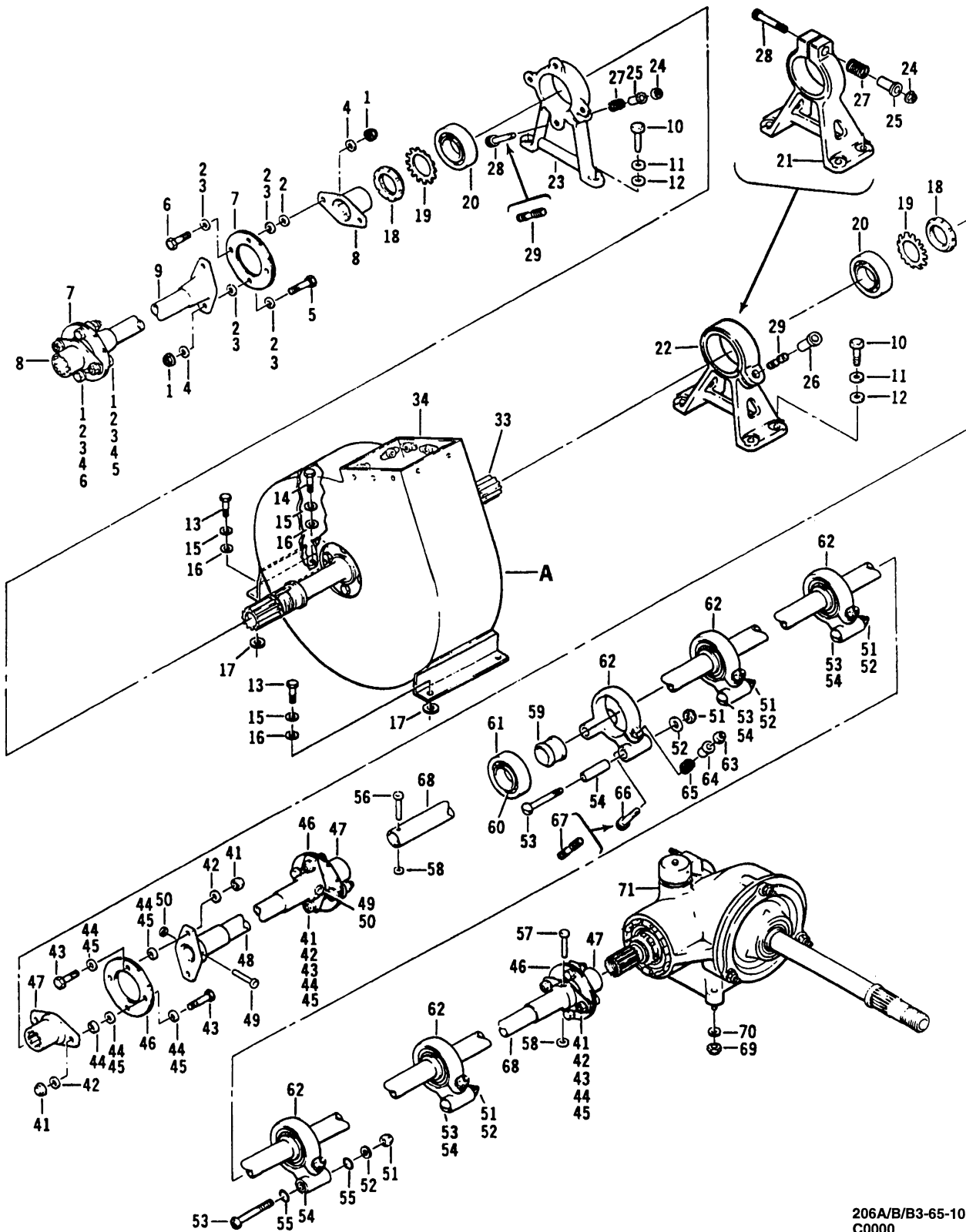
(1) INDEX NUMBER	(2) PART NUMBER	(3) ITEM NAME	(4) UNIT PER ASSY	(5) A V A I L	(6) U O C
		FIGURE: 65-2. Driveshaft installation, tail rotor (S/N 1252 thru 2211) (Cont'd)			
25	206-040-351-003	...SPACER (USBL ON 206-040-346-009, -017, -101, .. 206-040-355-001 AND -101)	1	1	
26	206-040-352-001	...SPRING	1	1	
27	RBA144SA27	...BOLT (USBL ON 206-040-346-009, -017 AND	1	1	
		206-040-355-001)			
28	AN126023	...STUD, .003 UNDERSIZE (USBL ON 206-040-346-101 . AND 206-040-355-101)	1	1	
28	AN126024	...STUD, STANDARD (USBL ON 206-040-346-101 AND ... 206-040-355-101)	1	1	
28	AN126025	...STUD, .003 OVERSIZE (USBL ON 206-040-346-101 .. AND 206-040-355-101)	1	1	
28	AN126026	...STUD, .006 OVERSIZE (USBL ON 206-040-346-101 .. AND 206-040-355-101)	1	1	
28	AN126027	...STUD, .009 OVERSIZE (USBL ON 206-040-346-101 .. AND 206-040-355-101)	1	1	
28	AN126028	...STUD, .012 OVERSIZE (USBL ON 206-040-346-101 .. AND 206-040-355-101)	1	1	
29	MS21042L4	..NUT	4	1	
30	AN960-416L	..WASHER (REPLACED BY NAS1149F0432P)	8	1	
30	NAS1149F0432P	..WASHER (REPLACES AN960-416L)	8		
31	AN4-5A	..BOLT	4	1	
32	206-040-320-011	..SHAFT (REPLACED BY 206-040-320-015 AND -103) ...	1	0	
32	206-040-320-015	..SHAFT (REPLACES 206-040-320-011) (REPLACED BY .. 206-040-320-103)	1		
32	206-040-320-103	..SHAFT (REPLACES 206-040-320-011 AND -015)	1	1	
33	206-061-432-001	..BLOWER ASSY (PRE S.I. 206-112) (REPLACED BY 206-061-432-023, 037 AND -111)	1	0	
33	206-061-432-023	..BLOWER ASSY (PRE S.I. 206-112) (REPLACES	1	1	
		206-061-432-001) (REPLACED BY 206-040-432-037 AND -111)			
33	206-061-432-037	..BLOWER ASSY (POST S.I. 206-112) (REPLACES	1		
		206-040-432-001 AND -023) (REPLACED BY 206-061-432-111)			
33	206-061-432-111	..BLOWER ASSY (POST S.I. 206-112) (REPLACES	1	1	
		206-061-432-001, -023 AND -037)			
34	206-061-432-005	...IMPELLER (USBL ON 206-061-432-001 AND -023) ...	1	1	
35	86D35-8	...SCREW (USBL ON 206-061-432-023, 037 AND -111) ..	4		
35	AN525-10R6	...SCREW (USBL ON 206-061-432-001)	4	1	
36	206-061-432-013	...COVER (USBL ON 206-061-432-037 AND -111)	1	1	
37	206-061-432-031	...IMPELLER (USBL ON 206-061-432-037) (REPLACED .. BY 206-061-432-109)	1	0	
38	206-061-432-109	...IMPELLER (USBL ON 206-061-432-037 AND -111) ... (REPLACES 206-061-432-031)	1	1	
39	MS21042L4	..NUT	4	1	
40	AN960-416L	..WASHER (REPLACED BY NAS1149F0432P)	4	1	
40	NAS1149F0432P	..WASHER (REPLACES AN960-416L)	4		
41	AN174-7A	..BOLT	4	1	
42	206-040-329-003	..WASHER (USE WITH 206-040-328-003)	10	1	
42A	206-040-329-003	..WASHER (USE WITH 206-040-328-101)	8	1	

(1) INDEX NUMBER	(2) PART NUMBER	(3) ITEM NAME	(4) UNIT PER ASSY	(5) A V A I L	(6) U O C
		FIGURE: 65-2. Driveshaft installation, tail rotor (S/N 1252 thru 2211) (Cont'd)			
43	32721-1	.DISC ASSY	1	1	
44	206-040-328-003	.ADAPTER, SLIP (REPLACED BY 206-040-328-101)	1		
44	206-040-328-101	.ADAPTER, SLIP (REPLACES 206-040-328-003)	1	1	
45	206-040-332-003	.PIN	2	1	
46	AN960PD10	.WASHER (REPLACED BY AN960JD10)	2		
46	AN960JD10	.WASHER (REPLACES AN960PD10) (REPLACED BY NAS1149D0363J)	2		
46	NAS1149D0363J	.WASHER (REPLACES AN960JD10)	2		
47	206-040-330-003	.DRIVESHAFT ASSY (REPLACED BY 206-040-330-101)	1		
47	206-040-330-101	.DRIVESHAFT ASSY (REPLACES 206-040-330-003)	1		
48	MS21042L4	.NUT	20	1	
49	AN960-416	.WASHER (USBL ON 206-040-301-019) (REPLACED BY NAS1149F0463P)	20	1	
49	NAS1149F0463P	.WASHER (USBL ON 206-040-301-019) (REPLACES AN960-416)	20		
49	AN960-416L	.WASHER (USBL ON 206-040-301-021) (REPLACED BY NAS1149F0432P)	20	1	
49	NAS1149F0432P	.WASHER (USBL ON 206-040-301-021) (REPLACES AN960-416L)	20		
50	AN174-7A	.BOLT	20	1	
51	206-040-329-003	.WASHER	50	1	
51A	206-040-329-003	.WASHER (USE WITH 206-040-328-101)	40	1	
52	32721-1	.DISC ASSY	5	1	
53	206-040-930-007	.HANGER ASSY, SHAFT AND BEARING (USBL ON 206-040-301-019) (REPLACED BY 206-040-930-011)	1		
53	206-040-930-011	.HANGER ASSY, SHAFT AND BEARING (REPLACES 206-040-930-001)	1	0	
54	MS21042L4	..NUT	1	1	
55	AN960-416	..WASHER (REPLACED BY NAS1149F0463P)	1	1	
55	NAS1149F0463P	..WASHER (REPLACES AN960-416)	1		
56	206-040-932-001	..PLATE	1	1	
57	206-040-929-003	..ADAPTER	1	1	
58	206-040-338-005	..HANGER ASSY (USBL ON 206-040-930-007) (REPLACED BY 206-040-338-009)	1		
58	206-040-338-009	..HANGER ASSY (REPLACES 206-040-338-005) (ALTERNATE PART)	1	1	
58	206-040-338-101	..HANGER ASSY	1		
59	MS21042L4	...NUT	1	1	
60	206-040-351-001	...SPACER	1	1	
61	206-040-352-001	...SPRING	1	1	
62	RBA144SA26	...BOLT (USBL ON 206-040-338-005 AND -009)	1	0	
63	AN126017	...STUD, .003 UNDERSIZE (USBL ON 206-040-338-101)	1	6	
63	AN126018	...STUD, STANDARD (USBL ON 206-040-338-101)	1	1	
63	AN126019	...STUD, .006 OVERSIZE (USBL ON 206-040-338-101)	1	1	
63	AN126020	...STUD, .009 OVERSIZE (USBL ON 206-040-338-101)	1	6	
63	AN126021	...STUD, .009 OVERSIZE (USBL ON 206-040-338-101)	1	1	
63	AN126022	...STUD, .012 OVERSIZE (USBL ON 206-040-338-101)	1	1	

(1) INDEX NUMBER	(2) PART NUMBER	(3) ITEM NAME	(4) UNIT PER ASSY	(5) A V A I L	(6) U O C
		FIGURE: 65-2. Driveshaft installation, tail rotor (S/N 1252 thru 2211) (Cont'd)			
64	206-040-339-005	..BEARING (USBL ON 206-040-930-007) (REPLACED BY 206-040-339-009 AND -101)	1	0	
64	206-040-339-009	..BEARING (USBL ON 206-040-930-007 AND -011) (REPLACES 206-040-339-005) (REPLACED BY 206-040-339-101)	1	1	
64	206-040-339-101	..BEARING (REPLACES 206-040-339-005 AND -009) (ALTERNATE PART)	1		
64	206-040-339-103	..BEARING	1		
65	206-040-931-011	..SHAFT ASSY (REPLACED BY 206-040-931-103)	1		
65	206-040-931-103	..SHAFT ASSY (REPLACES 206-040-931-011)	1		
66	AN310-4	.NUT	10	1	
67	AN960PD416L	.WASHER (REPLACED BY AN960JD416L)	10		
67	AN960JD416L	.WASHER (REPLACES AN960PD416L) (REPLACED BY NAS1149D0416J)	10	1	
67	NAS1149D0416J	.WASHER (REPLACES AN960JD416L)	10	1	
68	AN960PD616	.WASHER (REPLACED BY AN960JD616)	20		
68	AN960JD616	.WASHER (REPLACES AN960PD616) (REPLACED BY NAS1149D0663J)	20		
68	NAS1149D0663J	.WASHER (REPLACES AN960JD616)	20		
69	206-040-323-003	.SCREW	10	1	
70	206-040-322-001	.BUSHING	10	1	
71	MS29561-110	.PACKING, PREFORMED (REPLACED BY M83248/1-110)	2		
71	M83248/1-110	.PACKING, PREFORMED (REPLACES MS29561-110)	2	1	
72	206-040-930-005	.HANGER ASSY, SHAFT AND BEARING (USBL ON 206-040-301-019) (REPLACED BY 206-040-930-009)	4		
72	206-040-930-009	.HANGER ASSY, SHAFT AND BEARING (REPLACES 206-040-930-005)	4	0	
73	MS21042L4	..NUT	1	1	
74	AN960-416	..WASHER (REPLACED BY NAS1149F0463P)	1	1	
74	NAS1149F0463P	..WASHER (REPLACES AN960-416)	1		
75	206-040-932-001	..PLATE	1	1	
76	206-040-929-001	..ADAPTER (ALTERNATE PART)	1	0	
76	206-040-363-001	..ADAPTER	1	1	
77	206-040-338-005	..HANGER ASSY (USBL ON 206-040-930-005) (REPLACED BY 206-040-338-009)	4		
77	206-040-338-009	..HANGER ASSY (REPLACES 206-040-338-005) (ALTERNATE PART)	4	1	
77	206-040-338-101	..HANGER ASSY	4		
78	MS21042L4	...NUT	4	1	
79	206-040-351-001	...SPACER	1	1	
80	206-040-352-001	...SPRING	1	1	
81	RBA144SA26	...BOLT (USBL ON 206-040-338-005 AND -009)	1	0	
82	AN126017	...STUD, .003 UNDERSIZE (USBL ON 206-040-338-101)	1	6	
82	AN126018	...STUD, STANDARD (USBL ON 206-040-338-101)	1	1	
82	AN126019	...STUD, .006 OVERSIZE (USBL ON 206-040-338-101)	1	1	
82	AN126020	...STUD, .009 OVERSIZE (USBL ON 206-040-338-101)	1	6	
82	AN126021	...STUD, .009 OVERSIZE (USBL ON 206-040-338-101)	1	1	

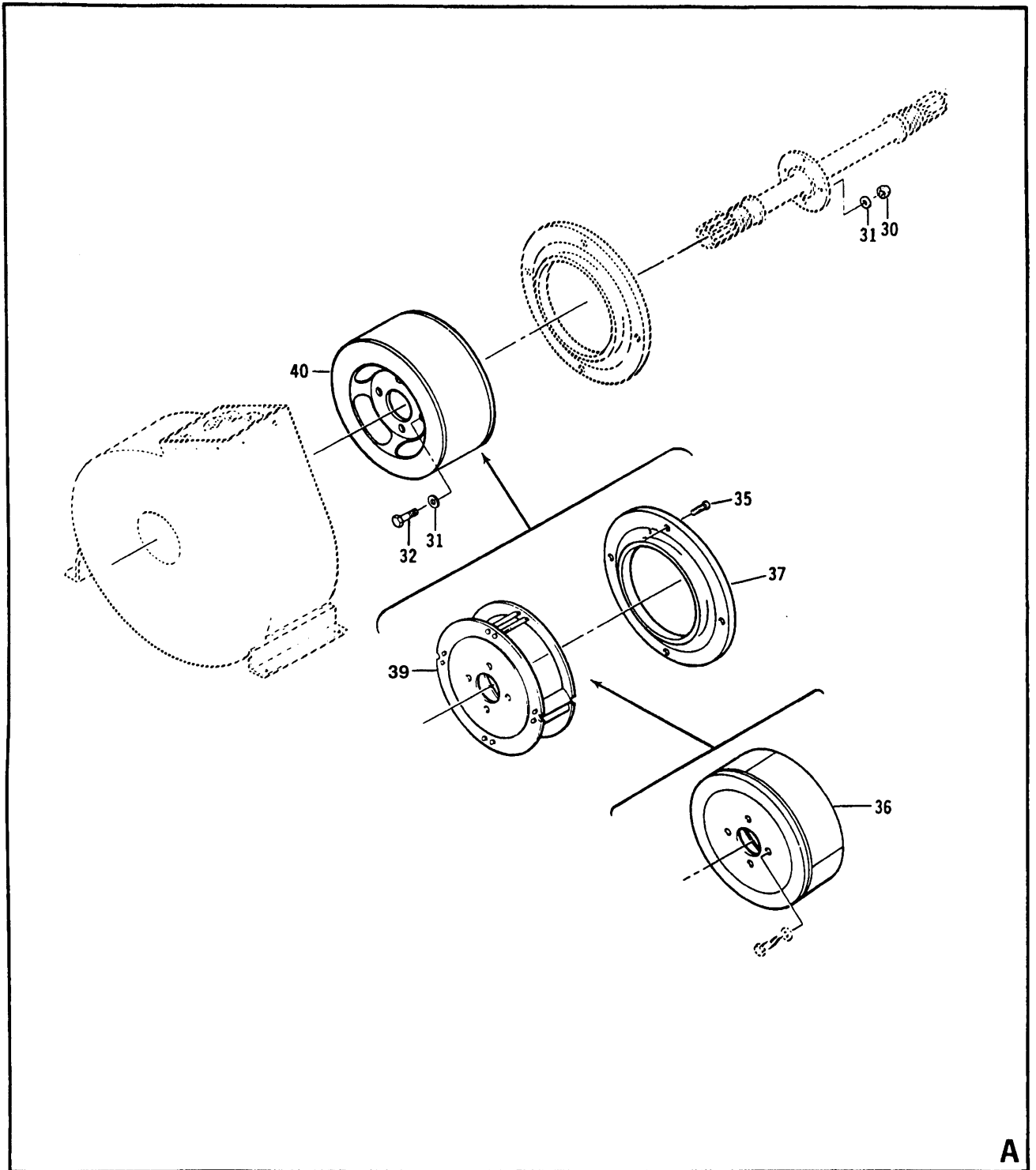
(1) INDEX NUMBER	(2) PART NUMBER	(3) ITEM NAME	(4) UNIT PER ASSY	(5) A V A I L	(6) U O C
		FIGURE: 65-2. Driveshaft installation, tail rotor (S/N 1252 thru 2211) (Cont'd)			
82	AN126022	...STUD, .012 OVERSIZE (USBL ON 206-040-338-101)	1	1	
83	206-040-339-005	..BEARING (USBL ON 206-040-930-005) (REPLACED BY 206-040-339-009 AND -101)	1	0	
83	206-040-339-009	..BEARING (USBL ON 206-040-930-005 AND -009) (REPLACES 206-040-339-005) (REPLACED BY 206-040-339-101)	1	1	
83	206-040-339-101	..BEARING (REPLACES 206-040-339-005 AND -009) (ALTERNATE PART)	1		
83	206-040-339-103	..BEARING	1		
84	206-040-931-009	..SHAFT ASSY (REPLACED BY 206-040-931-101)	1		
84	206-040-931-101	..SHAFT ASSY (REPLACES 206-040-931-009)	1		
85	MS21042L4	.NUT	4	1	
86	AN960-416L	.WASHER (REPLACED BY NAS1149F0432P)	4	1	
86	NAS1149F0432P	.WASHER (REPLACES AN960-416L)	4		
87	AN174-7A	.BOLT	4	1	
88	32721-1	.DISC ASSY	1	1	
89	206-040-329-003	.WASHER (USE WITH 206-040-328-003)	10	1	
89A	206-040-329-003	.WASHER (USE WITH 206-040-328-101)	8	1	
90	206-040-328-003	.ADAPTER, SLIP (REPLACED BY 206-040-328-101)	1		
90	206-040-328-101	.ADAPTER, SLIP (REPLACES 206-040-328-003)	1	1	
91	MS21042L4	.NUT	4	1	
92	AN960-416L	.WASHER (REPLACED BY NAS1149F0432P)	4	1	
92	NAS1149F0432P	.WASHER (REPLACES AN960-416L)	4		
93	206-040-400-011	.GEARBOX ASSY, TAIL ROTOR (PRE S.I. 206-112) (PRE T.B. 206-86-116) (SEE FIG. 6 FOR BREAKDOWN) (REPLACED BY 206-040-400-107) (ALTERNATE PART)	1	0	A
93	206-040-400-105	.GEARBOX ASSY, TAIL ROTOR (SEE FIG. 6 FOR BREAKDOWN)	1		
93	206-040-400-009	.GEARBOX ASSY, TAIL ROTOR (POST T.B. 206-86-116) (SEE FIG. 6 FOR BREAKDOWN) (REPLACED BY 206-040-400-107) (ALTERNATE PART)	1	1	
93	206-040-400-103	.GEARBOX ASSY, TAIL ROTOR (SEE FIG. 6 FOR BREAKDOWN) (REPLACED BY 206-040-400-107)	1		
93	206-961-401-001	.GEARBOX ASSY, TAIL ROTOR (POST S.I. 206-112) (SEE FIG. 6 FOR BREAKDOWN) (REPLACED BY 206-040-400-013)	1	0	
93	206-040-400-013	.GEARBOX ASSY, TAIL ROTOR (POST S.I. 206-112) (SEE FIG. 6 FOR BREAKDOWN) (REPLACES 206-961-401-001) (REPLACED BY 206-040-400-107)	1	1	
93	206-040-400-107	.GEARBOX ASSY, TAIL ROTOR (SEE FIG. 6 FOR BREAKDOWN) (REPLACES 206-040-400-011, -009, -013 AND -103)	1		

(1) INDEX NUMBER	(2) PART NUMBER	(3) ITEM NAME	(4) UNIT PER ASSY	(5) A V A I L	(6) U O C						
		<p>FIGURE: 65-2. Driveshaft installation, tail rotor (S/N 1252 thru 2211) (Cont'd)</p> <p style="text-align: center;">USABLE ON CODES</p> <table border="0" style="margin-left: auto; margin-right: auto;"> <tr> <td style="padding-right: 20px;">CODE</td> <td style="padding-right: 20px;">MODEL</td> <td>SERIAL NUMBER</td> </tr> <tr> <td>A</td> <td>206B</td> <td>1252-1637, 1639-1657</td> </tr> </table> <p>1) UNLESS A USABLE ON PART NUMBER IS LISTED IN THE ITEM NAME COLUMN; NO CODE INDICATES THE PART APPLIES TO ALL SERIAL NUMBERS.</p> <p>2) IF THE SERIAL NUMBER IS BLANK THE PART APPLIES TO ALL SERIAL NUMBERS FOR THAT MODEL.</p>	CODE	MODEL	SERIAL NUMBER	A	206B	1252-1637, 1639-1657			
CODE	MODEL	SERIAL NUMBER									
A	206B	1252-1637, 1639-1657									



206A/B/B3-65-1003-1
C0000

Figure 65-3. Driveshaft installation, tail rotor (S/N 914 thru 1251) (Sheet 1 of 2)



206A/B/B3-65-1003-2
C0000

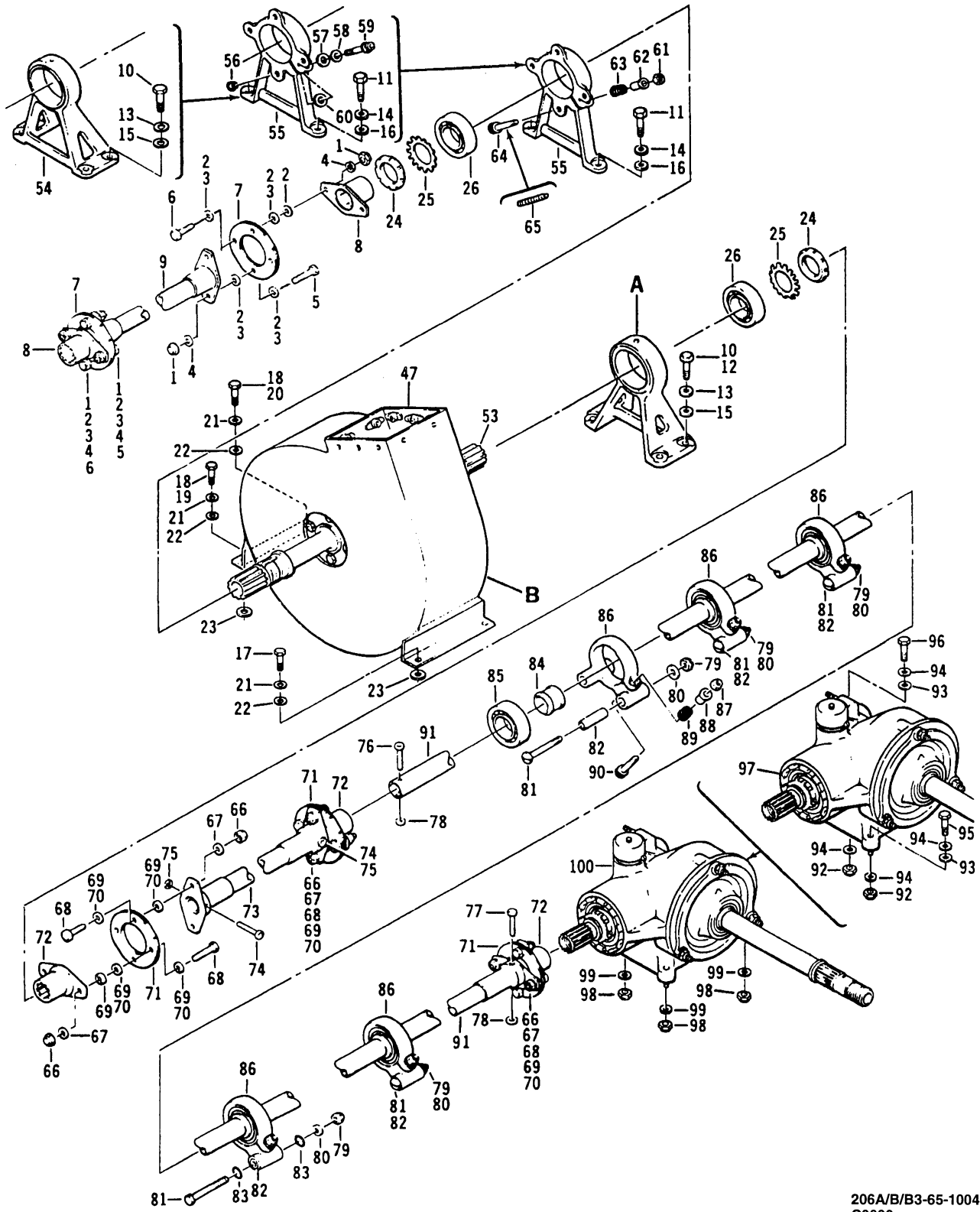
Figure 65-3. Driveshaft installation, tail rotor (S/N 914 thru 1251) (Sheet 2)

(1) INDEX NUMBER	(2) PART NUMBER	(3) ITEM NAME	(4) UNIT PER ASSY	(5) A V A I L	(6) U O C
		FIGURE: 65-3. Driveshaft installation, tail rotor (S/N 914 thru 1251)			
	206-040-301-013	DRIVESHAFT INSTL, TAIL ROTOR	1		
1	MS21042L4	.NUT	8	1	
2	206-040-329-003	.WASHER (USE WITH 206-040-328-003) (NOTE 1)	20	1	
3	206-040-329-003	.WASHER (USE WITH 206-040-328-101) (NOTE 1)	16	1	
4	AN960-416L	.WASHER (REPLACED BY NAS1149F0432P)	8	1	
4	NAS1149F0432P	.WASHER (REPLACES AN960-416L)	8		
5	AN174-6A	.BOLT	4	1	
6	AN174-7A	.BOLT	4	1	
7	32721-1	.DISC ASSY	2	1	
8	206-040-328-003	.ADAPTER (NOTE 1) (REPLACED BY 206-040-328-101)	2		
8	206-040-328-101	.ADAPTER (NOTE 1) (REPLACES 206-040-328-003)	2	1	
10	AN174H10A	.BOLT	6	1	
11	AN960-416L	.WASHER (REPLACED BY NAS1149F0432P)	6	1	
11	NAS1149F0432P	.WASHER (REPLACES AN960-416L)	6		
12	NAS1197-416	.WASHER	6	1	
13	AN3-4A	.BOLT	3	1	
14	AN3-5A	.BOLT	1	1	
15	AN960-10L	.WASHER (REPLACED BY NAS1149F0332P)	4		
15	NAS1149F0332P	.WASHER (REPLACES AN960-10L)	4		
16	NAS1197-10	.WASHER	4	1	
17	120-038-28-7	.SHIM	4	1	
	206-040-301-017	.SHAFT ASSY, FAN (REPLACED BY 206-040-301-023)	1	0	
	206-040-301-023	.SHAFT ASSY, FAN (REPLACES 206-040-301-017)	1	0	
18	MS172242	.NUT	2	1	
19	MS172207	.WASHER	2	1	
20	206-040-339-005	..BEARING (USBL ON 206-040-301-017) (REPLACED BY 206-040-339-009 AND -101)	2	0	
20	206-040-339-009	..BEARING (USBL ON 206-040-301-017 AND -023) (REPLACES 206-040-339-005) (REPLACED BY 206-040-339-101)	2	1	
20	206-040-339-101	..BEARING (REPLACES 206-040-339-005 AND -009) (ALTERNATE PART)	2		
20	206-040-339-103	..BEARING	2		
21	206-040-345-009	..HANGER ASSY (USBL ON 206-040-301-017) (REPLACED BY 206-040-355-001)	1	6	
22	206-040-355-001	..HANGER ASSY (REPLACES 206-040-345-009) (ALTERNATE PART)	1		
22	206-040-355-101	..HANGER ASSY	1	6	
23	206-040-346-009	..HANGER ASSY (USBL ON 206-040-301-017) (REPLACED BY 206-040-346-017)	1	0	
23	206-040-346-017	..HANGER ASSY (REPLACES 206-040-346-009) (ALTERNATE PART)	1	1	
23	206-040-346-101	..HANGER ASSY	1		
24	MS21042L4	...NUT	1	1	
25	206-040-351-005	...SPACER (USBL ON 206-040-345-009)	1	1	
26	206-040-351-003	...SPACER (USBL ON 206-040-355-001, -101, 206-040-346-009, -017 AND -101)	1	1	
27	206-040-352-001	...SPRING	1	1	

(1) INDEX NUMBER	(2) PART NUMBER	(3) ITEM NAME	(4) UNIT PER ASSY	(5) A V A I L	(6) U O C
		FIGURE: 65-3. Driveshaft installation, tail rotor (S/N 914 thru 1251) (Cont'd)			
28	RBA144SA27	...BOLT (USBL ON 206-040-355-001, 206-040-346-009 AND -017)	1	1	
29	AN126023	...STUD, .003 UNDERSIZE (USBL ON 206-040-355-101 . AND 206-040-346-101)	1	1	
29	AN126024	...STUD, STANDARD (USBL ON 206-040-355-101 AND . . . 206-040-346-101)	1	1	
29	AN126025	...STUD, .003 OVERSIZE (USBL ON 206-040-355-101 . . AND 206-040-346-101)	1	1	
29	AN126026	...STUD, .006 OVERSIZE (USBL ON 206-040-355-101 . . AND 206-040-346-101)	1	1	
29	AN126027	...STUD, .009 OVERSIZE (USBL ON 206-040-355-101 . . AND 206-040-346-101)	1	1	
29	AN126028	...STUD, .012 OVERSIZE (USBL ON 206-040-355-101 . . AND 206-040-346-101)	1	1	
30	MS21042L4	..NUT	4	1	
31	AN960-416L	..WASHER (REPLACED BY NAS1149F0432P)	8	1	
31	NAS1149F0432P	..WASHER (REPLACES AN960-416L)	8		
32	AN4-5A	..BOLT	4	1	
33	206-040-320-011	..SHAFT (REPLACED BY 206-040-320-015 AND -103) . . .	1	0	
33	206-040-320-015	..SHAFT (REPLACES 206-040-320-011) (REPLACED BY . . 206-040-320-103)	1		
33	206-040-320-103	..SHAFT (REPLACES 206-040-320-011 AND -015)	1	1	
34	206-061-432-001	..BLOWER ASSY (PRE S.I. 206-112) (REPLACED BY 206-061-423-023, -037 AND -111)	1	0	
34	206-061-432-023	..BLOWER ASSY (PRE S.I. 206-112) (REPLACES 206-061-432-001) (REPLACED BY 206-040-432-037 AND -111)	1	1	
34	206-061-432-037	..BLOWER ASSY (POST S.I. 206-112) (REPLACES 206-040-432-001 AND -023) (REPLACED BY 206-061-432-111)	1		
34	206-061-432-111	..BLOWER ASSY (POST S.I. 206-112) (REPLACES 206-061-432-001, -023, AND -037)	1	1	
35	AN525-10R6	...SCREW (USBL ON 206-040-432-001)	4	1	
35	86D35-8	...SCREW (USBL ON 206-061-432-023, -037 AND -111)	4		
36	206-061-432-005	...IMPELLER (USBL ON 206-061-432-001 AND -023) . . .	1	1	
37	206-061-432-013	...COVER (USBL ON 206-061-432-037 AND -111)	1	1	
38	DELETED			
39	206-061-432-031	...IMPELLER (USBL ON 206-061-432-037) (REPLACED . . BY 206-061-432-109)	1	0	
40	206-061-432-109	...IMPELLER (USBL ON 206-061-432-037 AND -111) . . . (REPLACES 206-061-432-031)	1	1	
41	MS21042L4	..NUT	12	1	
42	AN960-416L	..WASHER (REPLACED BY NAS1149F0432P)	12	1	
42	NAS1149F0432P	..WASHER (REPLACES AN960-416L)	12		
43	AN174-7A	..BOLT	12	1	
44	206-040-329-003	..WASHER (USE WITH 206-040-328-003) (NOTE 1)	30	1	
45	206-040-329-003	..WASHER (USE WITH 206-040-328-101) (NOTE 1)	24	1	
46	32721-1	..DISC ASSY	3	1	

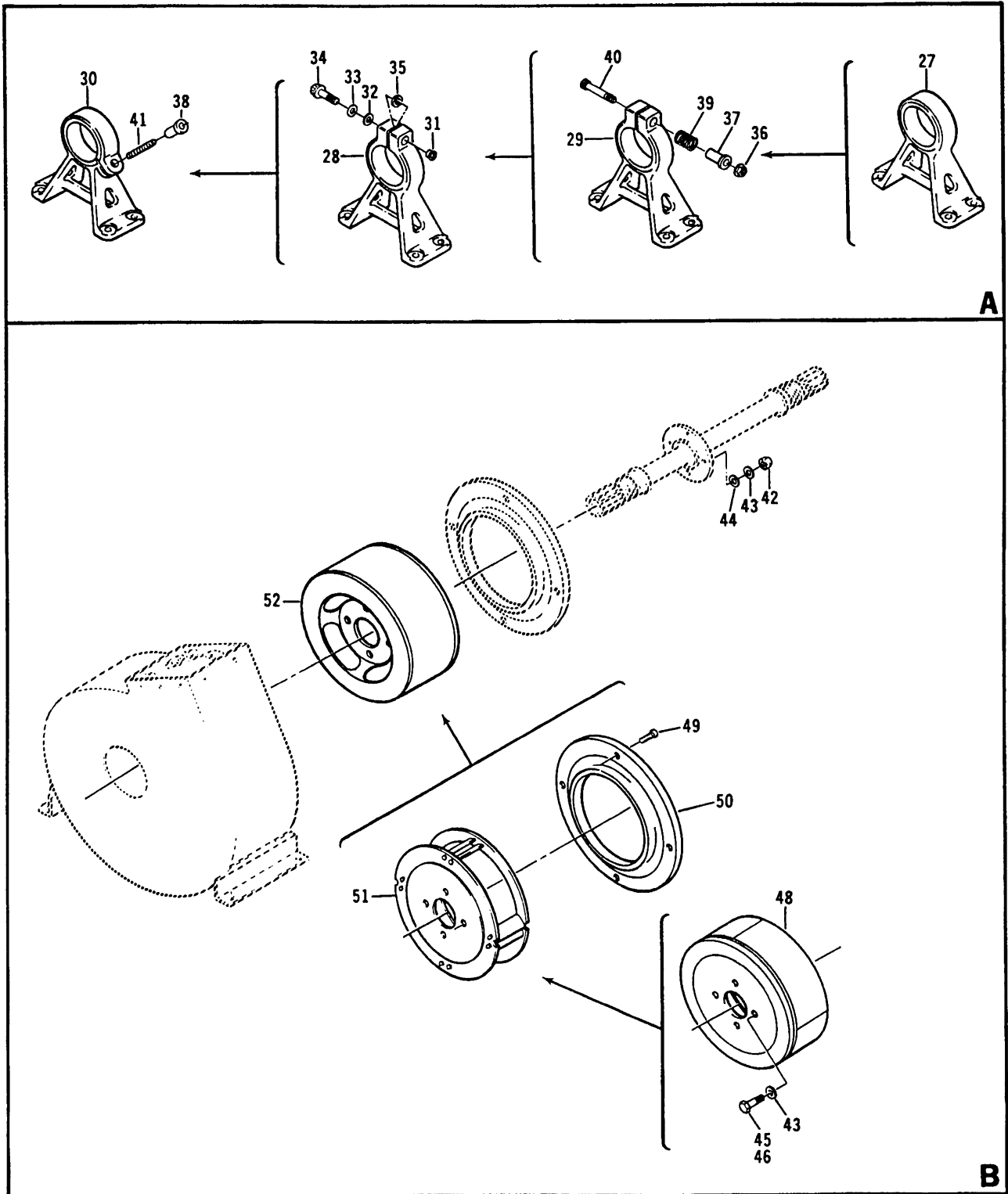
(1) INDEX NUMBER	(2) PART NUMBER	(3) ITEM NAME	(4) UNIT PER ASSY	(5) A V A I L	(6) U O C
		FIGURE: 65-3. Driveshaft installation, tail rotor (S/N 914 thru 1251) (Cont'd)			
47	206-040-328-003	.ADAPTER (NOTE 1) (REPLACED BY 206-040-328-101) . .	3		
47	206-040-328-101	.ADAPTER (NOTE 1) (REPLACES 206-040-328-003)	3	1	
48	206-040-330-003	.DRIVESHAFT ASSY (REPLACED BY 206-040-330-101) . . .	1		
48	206-040-330-101	.DRIVESHAFT ASSY (REPLACES 206-040-330-003)	1		
49	206-040-332-003	.PIN	2	1	
50	AN960PD10	.WASHER (REPLACED BY AN960JD10)	2		
50	AN960JD10	.WASHER (REPLACES AN960PD10) (REPLACED BY NAS1149D0363J)	2		
50	NAS1149D0363J	.WASHER (REPLACES AN960JD10)	2		
51	AN310-4	.NUT	10	1	
52	AN960PD416L	.WASHER (REPLACED BY AN960JD416L)	10		
52	AN960JD416L	.WASHER (REPLACES AN960PD416L) (REPLACED BY NAS1149D0416J)	10	1	
52	NAS1149D0416J	.WASHER (REPLACES AN960JD416L)	10	1	
53	206-040-323-001	.SCREW (REPLACED BY 206-040-323-003)	10		
53	206-040-323-003	.SCREW (REPLACES 206-040-323-001)	10	1	
54	206-040-322-001	.BUSHING	10	1	
55	MS29561-110	.PACKING, PREFORMED (REPLACED BY M83248/1-110) . . .	4		
55	M83248/1-110	.PACKING, PREFORMED (REPLACES MS29561-110)	4	1	
	206-040-301-015	.SHAFT ASSY, LONG (REPLACED BY 206-040-301-031) . .	1	0	
	206-040-301-031	.SHAFT ASSY, LONG (REPLACES 206-040-301-015)	1	1	
56	206-040-332-001	.PIN	1	1	
57	206-040-332-003	.PIN	1	1	
58	AN960PD10	.WASHER (REPLACED BY AN960JD10)	2		
58	AN960JD10	.WASHER (REPLACES AN960PD10) (REPLACED BY NAS1149D0363J)	2		
58	NAS1149D0363J	.WASHER (REPLACES AN960JD10)	2		
59	206-040-315-001	.COLLAR	5	1	
60	206-040-339-005	.BEARING (USBL ON 206-040-301-015) (REPLACED BY . . 206-040-339-009 AND -101)	5	0	
61	206-040-339-009	.BEARING (USBL ON 206-040-015 AND -031) (REPLACES 206-040-339-005) (REPLACED BY 206-040-339-101)	5	1	
61	206-040-339-101	.BEARING (REPLACES 206-040-005 AND -009) (ALTERNATE PART)	5		
61	206-040-339-103	.BEARING	5		
62	206-040-338-005	.HANGER ASSY (USBL ON 206-040-301-015) (REPLACED BY 206-040-338-009)	1		
62	206-040-338-009	.HANGER ASSY (REPLACES 206-040-338-005) (ALTERNATE PART)	5	1	
62	206-040-338-101	.HANGER ASSY	5		
63	MS21042L4	.NUT	1	1	
64	206-040-351-001	.SPACER	1	1	
65	206-040-352-001	.SPRING	1	1	
66	RBA144SA26	.BOLT (USBL ON 206-040-338-005 AND -009)	1	0	
67	AN126017	.STUD, .003 UNDERSIZE (USBL ON 206-040-338-101)	1	6	
67	AN126018	.STUD, STANDARD (USBL ON 206-040-338-101)	1	1	
67	AN126019	.STUD, .006 OVERSIZE (USBL ON 206-040-338-101) .	1	1	

(1) INDEX NUMBER	(2) PART NUMBER	(3) ITEM NAME	(4) UNIT PER ASSY	(5) A V A I L	(6) U O C
		FIGURE: 65-3. Driveshaft installation, tail rotor (S/N 914 thru 1251) (Cont'd)			
67	AN126020	...STUD, .009 OVERSIZE (USBL ON 206-040-338-101) .	1	6	
67	AN126021	...STUD, .009 OVERSIZE (USBL ON 206-040-338-101) .	1	1	
67	AN126022	...STUD, .012 OVERSIZE (USBL ON 206-040-338-101) .	1	1	
68	206-040-330-001	.DRIVESHAFT ASSY	1	1	
69	MS21042L4	.NUT	4	1	
70	AN960-416L	.WASHER (REPLACED BY NAS1149F0432P)	4	1	
70	NAS1149F0432P	.WASHER (REPLACES AN960-416L)	4		
71	206-040-400-011	.GEARBOX ASSY, TAIL ROTOR (PRE S.I. 206-112) (PRE T.B. 206-86-116) (SEE FIG. 6 FOR BREAKDOWN) (REPLACED BY 206-040-400-107) (ALTERNATE PART)	1	0	
71	206-040-400-105	.GEARBOX ASSY, TAIL ROTOR (SEE FIG. 6 FOR BREAKDOWN)	1		
71	206-040-400-009	.GEARBOX ASSY, TAIL ROTOR (POST T.B. 206-86-116) . . (SEE FIG. 6 FOR BREAKDOWN) (REPLACED BY 206-040-400-107) (ALTERNATE PART)	1	1	
71	206-040-400-103	.GEARBOX ASSY, TAIL ROTOR (SEE FIG. 6 FOR BREAKDOWN) (REPLACED BY 206-040-400-107)	1		
71	206-961-401-001	.GEARBOX ASSY, TAIL ROTOR (POST S.I. 206-112) (SEE FIG. 6 FOR BREAKDOWN) (REPLACED BY 206-040-400-013)	1	0	
71	206-040-400-013	.GEARBOX ASSY, TAIL ROTOR (POST S.I. 206-112) (SEE FIG. 6 FOR BREAKDOWN) (REPLACES 206-961-401-001) (REPLACED BY 206-040-400-107)	1	1	
71	206-040-400-107	.GEARBOX ASSY, TAIL ROTOR (SEE FIG. 6 FOR BREAKDOWN) (REPLACES 206-040-400-011, -009, -013 AND -103)	1		
		NOTE 1: 206-040-328-003 ADAPTER AND (2) 206-040-329-003 WASHER AS A UNIT REPLACED BY 206-040-328-101. SEE MAINTENANCE MANUAL FOR REPLACEMENT PROCEDURES			



206A/B/B3-65-1004-1
C0000

Figure 65-4. Driveshaft installation, tail rotor (S/N 4 thru 913) (Sheet 1 of 2)



206AB/B/B3-65-1004-2
C0000

Figure 65-4. Driveshaft installation, tail rotor (S/N 4 thru 913) (Sheet 2)

(1) INDEX NUMBER	(2) PART NUMBER	(3) ITEM NAME	(4) UNIT PER ASSY	(5) A V A I L	(6) U O C
		FIGURE: 65-4. Driveshaft installation, tail rotor (S/N 4 thru 913)			
	206-040-301-001	DRIVESHAFT INSTL, TAIL ROTOR	1		
	206-040-301-007	DRIVESHAFT INSTL, TAIL ROTOR	1		
1	MS21042L4	.NUT	8	1	
2	206-040-329-001	.WASHER (NOTE 3) (REPLACED BY 206-040-329-003) . . .	20		
2	206-040-329-003	.WASHER (NOTE 3) (REPLACES 206-040-329-001)	20	1	
3	206-040-329-001	.WASHER (NOTE 3) (REPLACED BY 206-040-329-003) . . .	16		
4	AN960-416L	.WASHER (REPLACED BY NAS1149F0432P)	8	1	
4	NAS1149F0432P	.WASHER (REPLACES AN960-416L)	8		
5	AN174-6A	.BOLT	4	1	
6	AN174-7A	.BOLT	4	1	
7	32721-1	.DISC ASSY	2	1	
8	206-040-328-003	.ADAPTER (NOTE 3) (REPLACED BY 206-040-328-101) . .	2		
8	206-040-328-101	.ADAPTER (NOTE 3) (REPLACES 206-040-328-003)	2	1	
9	206-040-325-005	.SHAFT ASSY	1	1	
10	AN174-10A	.BOLT (USE WITH 206-004-336-001)	8	1	
11	AN174H10A	.BOLT (USE WITH 206-004-346-001, -005, -009 AND . .	2	1	
		-017)			
12	AN174H10A	.BOLT (USE WITH 206-004-346-001, -005, -009 AND . .	4	1	
		-017)			
13	AN960-416L	.WASHER (USE WITH 206-004-336-001) (REPLACED BY . .	8	1	
		NAS1149F0432P)			
13	NAS1149F0432P	.WASHER (USE WITH 206-004-336-001) (REPLACES	8		
		AN960-416L)			
14	AN960-416L	.WASHER (USE WITH 206-004-346-001, -005, -009	2	1	
		AND -017) (REPLACED BY NAS1149F0432P)			
14	NAS1149F0432P	.WASHER (USE WITH 206-004-346-001, -005, -009	2		
		AND -017) (REPLACES AN960-416L)			
15	NAS1197-416	.WASHER (USE WITH 206-004-336-001)	8	1	
16	NAS1197-416	.WASHER (USE WITH 206-004-346-001, -005, -009	2	1	
		AND -017)			
17	AN3-4A	.BOLT	2	1	
18	AN3-5A	.BOLT (USBL ON 206-040-301-001)	2	1	
19	AN3-4A	.BOLT (USBL ON 206-040-301-007)	1	1	
20	AN3-5A	.BOLT (USBL ON 206-040-301-007)	1	1	
21	AN960-10L	.WASHER (USBL ON 206-040-301-001) (REPLACED BY . . .	4		
		NAS1149F0332P)			
21	NAS1149F0332P	.WASHER (USBL ON 206-040-301-001) (REPLACES	4		
		AN960-10L)			
22	NAS1197-10	.WASHER	4	1	
23	120-038-28-7	.SHIM (USBL ON 206-040-301-007)	4	1	
	206-040-301-005	.SHAFT ASSY, FAN (USBL ON 206-040-301-001)	1		
		(REPLACED BY 206-040-301-023)			
	206-040-301-011	.SHAFT ASSY, FAN (USBL ON 206-040-301-007)	1	0	
		(REPLACED BY 206-040-301-023)			
	206-040-301-023	.SHAFT ASSY, FAN (REPLACES 206-040-301-005 AND . . .	1	0	
		-011)			
24	MS172242	.NUT	2	1	
25	MS172207	.WASHER	2	1	

(1) INDEX NUMBER	(2) PART NUMBER	(3) ITEM NAME	(4) UNIT PER ASSY	(5) A V A I L	(6) U O C
		FIGURE: 65-4. Driveshaft installation, tail rotor (S/N 4 thru 913) (Cont'd)			
26	206-040-339-001	..BEARING (NOTE 1) (USBL ON 206-040-301-005) (REPLACED BY 206-040-339-009 AND -101)	2	0	
26	206-040-339-003	..BEARING (NOTE 1) (USBL ON 206-040-301-011) (REPLACED BY 206-040-339-009 AND -101)	2	0	
26	206-040-339-009	..BEARING (NOTE 1) (REPLACES 206-040-339-001 AND . -003) (REPLACED BY 206-040-339-101)	2	1	
26	206-040-339-101	..BEARING (REPLACES 206-040-001, -003 AND -009) .. (ALTERNATE PART)	2		
26	206-040-339-103	..BEARING	2		
27	206-040-335-001	..HANGER ASSY (NOTE 1) (USBL ON 206-040-301-005) .. (REPLACED BY 206-040-345-009 AND 206-040-355-001)	1		
28	206-040-345-001	..HANGER ASSY (USBL ON 206-040-301-011) (REPLACED BY 206-040-345-005, -009 AND 206-040-355-001)	1		
28	206-040-345-005	..HANGER ASSY (USBL ON 206-040-301-011) (REPLACES 206-040-345-001) (REPLACED BY 206-040-345-009 AND 206-040-355-001)	1		
29	206-040-345-009	..HANGER ASSY (NOTE 1) (USBL ON 206-040-301-005 .. AND -011) (REPLACES 206-040-335-001, 206-040-345-001 AND -005) (REPLACED BY 206-040-355-001)	1	6	
30	206-040-355-001	..HANGER ASSY (NOTE 1) (REPLACES 206-040-335-001, 206-040-345-001, -005 AND -009) (ALTERNATE PART)	1		
30	206-040-355-101	..HANGER ASSY (NOTE 1)	1	6	
31	REA-048	..NUT (USBL ON 206-040-345-001 AND -005)	1		
32	AN960PD416L	..WASHER (USBL ON 206-040-345-001-AND -005) (REPLACED BY AN960JD416L)	1		
32	AN960JD416L	..WASHER (USBL ON 206-040-345-001-AND -005) (REPLACES AN960PD416L) (REPLACED BY NAS1149D0416J)	1	1	
32	NAS1149D0416J	..WASHER (USBL ON 206-040-345-001-AND -005) (REPLACES AN960JD416L)	1	1	
33	AN960-416L	..WASHER (USBL ON 206-040-345-001 AND -005) (REPLACED BY NAS1149F0432P)	1	1	
33	NAS1149F0432P	..WASHER (USBL ON 206-040-345-001 AND -005) (REPLACES AN960-416L)	1		
34	MS9089-18	..BOLT (USBL ON 206-040-345-001 AND -005)	1		
35	206-040-347-001	..SHIM (USBL ON 206-040-345-001 AND -005)	1		
36	MS21042L4	..NUT	1	1	
37	206-040-351-005	..SPACER (USBL ON 206-040-345-009)	1	1	
38	206-040-351-003	..SPACER (USBL ON 206-040-355-001 AND -101)	1	1	
39	206-040-352-001	..SPRING	1	1	
40	RBA144SA27	..BOLT (USBL ON 206-040-335-001, 206-040-345-001, -005, -009 AND 206-040-355-001)	1	1	

(1) INDEX NUMBER	(2) PART NUMBER	(3) ITEM NAME	(4) UNIT PER ASSY	(5) A V A I L	(6) U O C
		FIGURE: 65-4. Driveshaft installation, tail rotor (S/N 4 thru 913) (Cont'd)			
41	AN126023	...STUD, .003 UNDERSIZE (USBL ON 206-040-355-101)	1	1	
41	AN126024	...STUD, STANDARD (USBL ON 206-040-355-101)	1	1	
41	AN126025	...STUD, .003 OVERSIZE (USBL ON 206-040-355-101)	1	1	
41	AN126026	...STUD, .006 OVERSIZE (USBL ON 206-040-355-101)	1	1	
41	AN126027	...STUD, .009 OVERSIZE (USBL ON 206-040-355-101)	1	1	
41	AN126028	...STUD, .012 OVERSIZE (USBL ON 206-040-355-101)	1	1	
42	MS21042L4	..NUT	4	1	
43	AN960-416L	..WASHER (REPLACED BY NAS1149F0432P)	8	1	
43	NAS1149F0432P	..WASHER (REPLACES AN960-416L)	8		
44	AN960-416L	..WASHER (NOTE 2) (REPLACED BY NAS1149F0432P)	14	1	
44	NAS1149F0432P	..WASHER (NOTE 2) (REPLACES AN960-416L)	14		
45	AN4-5A	..BOLT	4	1	
46	AN4-6A	..BOLT (NOTE 2)	2	1	
47	A23259	..BLOWER ASSY (PRE S.I. 206-112) (REPLACED BY A23259-1)	1		
47	A23259-1	..BLOWER ASSY (PRE S.I. 206-112) (REPLACES A23259)	1		
47	206-061-432-001	..BLOWER ASSY (PRE S.I. 206-112) (REPLACES A2359-1) (REPLACED BY 206-061-432-023)	1	0	
47	206-061-432-023	..BLOWER ASSY (PRE S.I. 206-112) (REPLACES 206-061-432-001)	1	1	
47	206-061-432-037	..BLOWER ASSY (POST S.I. 206-112) (REPLACED BY 206-061-432-111)	1		
47	206-061-432-111	..BLOWER ASSY (POST S.I. 206-112) (REPLACES 206-061-432-037)	1	1	
48	206-061-432-005	...IMPELLER (USBL ON 206-061-432-001 AND -023)	1	1	
49	AN525-10R6	...SCREW (USBL ON 206-061-432-001)	4	1	
49	86D35-8	...SCREW (USBL ON 206-061-432-023, 037 AND -111)	4		
50	206-061-432-013	...COVER (USBL ON 206-061-432-037 AND -111)	1	1	
51	206-061-432-031	...IMPELLER (USBL ON 206-061-432-037) (REPLACED BY 206-061-432-109)	1	0	
52	206-061-432-109	...IMPELLER (USBL ON 206-061-432-037 AND -111) (REPLACES 206-061-432-031)	1	1	
53	206-040-320-007	..SHAFT (REPLACED BY 206-040-320-011, -015 AND -103)	1		
53	206-040-320-011	..SHAFT (REPLACES 206-040-320-007) (REPLACED BY 206-040-320-015 AND -103)	1	0	
53	206-040-320-015	..SHAFT (REPLACES 206-040-320-007 AND -011) (REPLACED BY 206-040-320-103)	1		
53	206-040-320-103	..SHAFT (REPLACES 206-040-320-007, -011 AND -015)	1	1	
54	206-040-336-001	..HANGER ASSY (NOTE 1) (USBL ON 206-040-301-005) (REPLACED BY 206-040-346-009 AND -017)	1	0	
55	206-040-346-001	..HANGER ASSY (USBL ON 206-040-301-011) (REPLACED BY 206-044-346-005, -009 AND -017)	1		
55	206-040-346-005	..HANGER ASSY (USBL ON 206-040-301-011) (REPLACES 206-040-346-001) (REPLACED BY 206-040-346-009 AND -017)	1		

(1) INDEX NUMBER	(2) PART NUMBER	(3) ITEM NAME	(4) UNIT PER ASSY	(5) A V A I L	(6) U O C
		FIGURE: 65-4. Driveshaft installation, tail rotor (S/N 4 thru 913) (Cont'd)			
55	206-040-346-009	..HANGER ASSY (NOTE 1) (REPLACES 206-040-336-001, 206-040-346-001 AND -005) (REPLACED BY 206-040-346-017)	1	0	
55	206-040-346-017	..HANGER ASSY (NOTE 1) (REPLACES 206-040-336-001, 206-040-346-001, -005 AND -009) (ALTERNATE PART)	1	1	
55	206-040-346-101	..HANGER ASSY (NOTE 1)	1		
56	REA-048	...NUT (USBL ON 206-040-346-001 AND -005)	1		
57	AN960PD416L	...WASHER (USBL ON 206-040-346-001 AND -005) (REPLACED BY AN960JD416L)	1		
57	AN960JD416L	...WASHER (USBL ON 206-040-346-001 AND -005) (REPLACES AN960PD416L) (REPLACED BY NAS1149D0416J)	1	1	
57	NAS1149D0416J	...WASHER (USBL ON 206-040-346-001 AND -005) (REPLACES AN960JD416L)	1	1	
58	AN960-416L	...WASHER (USBL ON 206-040-346-001 AND -005) (REPLACED BY NAS1149F0432P)	1	1	
58	NAS1149F0432P	...WASHER (USBL ON 206-040-346-001 AND -005) (REPLACES AN960-416L)	1		
59	MS9089-17	...BOLT (USBL ON 206-040-346-001 AND -005)	1		
60	206-040-347-001	...SHIM (USBL ON 206-040-346-001 AND -005)	1		
61	MS21042L4	...NUT (USBL ON 206-040-346-009, -017 AND -101)	1	1	
62	206-040-351-003	...SPACER (USBL ON 206-040-346-009, -017 AND -101)	1	1	
63	206-040-352-001	...SPRING (USBL ON 206-040-346-009, -017 AND -101)	1	1	
64	RBA144SA27	...BOLT (USBL ON 206-040-346-009 AND -017)	1	1	
65	AN126023	...STUD, .003 UNDERSIZE (USBL ON 206-040-346-101)	1	1	
65	AN126024	...STUD, STANDARD (USBL ON 206-040-346-101)	1	1	
65	AN126025	...STUD, .003 OVERSIZE (USBL ON 206-040-346-101)	1	1	
65	AN126026	...STUD, .006 OVERSIZE (USBL ON 206-040-346-101)	1	1	
65	AN126027	...STUD, .009 OVERSIZE (USBL ON 206-040-346-101)	1	1	
65	AN126028	...STUD, .012 OVERSIZE (USBL ON 206-040-346-101)	1	1	
66	MS21042L4	.NUT	16	1	
67	AN960-416L	.WASHER (REPLACED BY NAS1149F0432P)	16	1	
67	NAS1149F0432P	.WASHER (REPLACES AN960-416L)	16		
68	AN174-7A	.BOLT	16	1	
69	206-040-329-001	.WASHER (USE WITH 206-040-328-003) (NOTE 3) (REPLACED BY 206-040-329-003)	30		
69	206-040-329-003	.WASHER (USE WITH 206-040-328-003) (NOTE 3) (REPLACES 206-040-329-001)	30	1	
70	206-040-329-001	.WASHER (USE WITH 206-040-328-101) (NOTE 3) (REPLACED BY 206-040-329-003))	24		
70	206-040-329-003	.WASHER (USE WITH 206-040-328-101) (NOTE 3) (REPLACES 206-040-329-001)	24	1	
71	32721-1	.DISC ASSY	3	1	
72	206-040-328-003	.ADAPTER (NOTE 3) (REPLACED BY 206-040-328-101)	3		

(1) INDEX NUMBER	(2) PART NUMBER	(3) ITEM NAME	(4) UNIT PER ASSY	(5) A V A I L	(6) U O C
		FIGURE: 65-4. Driveshaft installation, tail rotor (S/N 4 thru 913) (Cont'd)			
72	206-040-328-101	.ADAPTER (NOTE 3) (REPLACES 206-040-328-003)	3	1	
73	206-040-330-003	.DRIVESHAFT ASSY (REPLACED BY 206-040-330-101) . . .	1		
73	206-040-330-101	.DRIVESHAFT ASSY (REPLACES 206-040-330-003)	1		
74	206-040-332-003	.PIN	2	1	
75	AN960PD10	.WASHER (REPLACED BY AN960JD10)	2		
75	AN960JD10	.WASHER (REPLACES AN960PD10) (REPLACED BY NAS1149D0363J)	2		
75	NAS1149D0363J	.WASHER (REPLACES AN960JD10)	2		
76	206-040-332-001	.PIN	1	1	
77	206-040-332-003	.PIN	1	1	
78	AN960PD10	.WASHER (REPLACED BY AN960JD10)	2		
78	AN960JD10	.WASHER (REPLACES AN960PD10) (REPLACED BY NAS1149D0363J)	2		
78	NAS1149D0363J	.WASHER (REPLACES AN960JD10)	2		
79	AN310-4	.NUT	10	1	
80	AN960PD416L	.WASHER (REPLACED BY AN960JD416L)	10		
80	AN960JD416L	.WASHER (REPLACES AN960PD416L) (REPLACED BY NAS1149D0416J)	10	1	
80	NAS1149D0416J	.WASHER (REPLACES AN960JD416L)	10	1	
81	206-040-323-001	.SCREW (REPLACED BY 206-040-323-003)	10		
81	206-040-323-003	.SCREW (REPLACES 206-040-323-001)	10	1	
82	206-040-322-001	.BUSHING	10	1	
83	MS29561-110	.PACKING, PREFORMED (USBL ON 206-040-301-007) (REPLACED BY M83248/1-110)	4		
83	M83248/1-110	.PACKING, PREFORMED (USBL ON 206-040-301-007) (REPLACES MS29561-110)	4	1	
	206-040-301-003	.SHAFT ASSY, LONG (USBL ON 206-040-031-001)	1		
	206-040-301-009	.SHAFT ASSY, LONG (USBL ON 206-040-301-007)	1	0	
84	206-040-315-001	..COLLAR	5	1	
85	206-040-339-001	..BEARING (NOTE 1) (USBL ON 206-040-301-003) (REPLACED BY 206-040-339-009 AND -101)	5	0	
85	206-040-339-003	..BEARING (NOTE 1) (USBL ON 206-040-301-009) (REPLACED BY 206-040-339-009 AND -101)	5	0	
85	206-040-339-009	..BEARING (NOTE 1) (REPLACES 206-040-339-001 AND . -003) (REPLACED BY 206-040-339-101)	5	1	
85	206-040-339-101	..BEARING (REPLACES 206-040-339-001, -003 AND -009)	2		
		(ALTERNATE PART)			
85	206-040-339-103	..BEARING	2		
86	206-040-331-001	..HANGER ASSY (NOTE 1) (USBL ON 206-040-301-003) . . . (REPLACED BY 206-040-338-005 AND -009)	5		
86	206-040-338-005	..HANGER ASSY (NOTE 1) (REPLACES 206-040-331-001) (REPLACED BY 206-040-338-009)	5		
86	206-040-338-009	..HANGER ASSY (REPLACES 206-040-331-001 AND 206-040-338-005)	5	1	
		(ALTERNATE PART)			
86	206-040-338-101	..HANGER ASSY	5		
87	MS21042L4	..NUT (USBL ON 206-040-338-005, -009 AND -101) . . .	1	1	

(1) INDEX NUMBER	(2) PART NUMBER	(3) ITEM NAME	(4) UNIT PER ASSY	(5) A V A I L	(6) U O C
		FIGURE: 65-4. Driveshaft installation, tail rotor (S/N 4 thru 913) (Cont'd)			
88	206-040-351-001	...SPACER (USBL ON 206-040-338-005, -009 AND ... -101)	1	1	
89	206-040-352-001	...SPRING (USBL ON 206-040-338-005, -009 AND ... -101)	1	1	
90	RBA144SA26	...BOLT (USBL ON 206-040-338-005 AND -009)	1	0	
90	AN126017	...STUD, .003 UNDERSIZE (USBL ON 206-020-338-101)	1	6	
90	AN126018	...STUD, STANDARD (USBL ON 206-040-338-101)	1	1	
90	AN126019	...STUD, .006 OVERSIZE (USBL ON 206-040-338-101)	1	1	
90	AN126020	...STUD, .009 OVERSIZE (USBL ON 206-040-338-101)	1	6	
90	AN126021	...STUD, .009 OVERSIZE (USBL ON 206-040-338-101)	1	1	
90	AN126022	...STUD, .012 OVERSIZE (USBL ON 206-040-338-101)	1	1	
91	206-040-330-001	..DRIVESHAFT ASSY	1	1	
92	MS21042L4	.NUT (USE WITH 206-040-400-003)	4	1	
93	NAS11970416	.WASHER (USE WITH 206-040-400-003)	3		
94	AN960-416L	.WASHER (USE WITH 206-040-400-003) (REPLACED BY NAS1149F0432P)	7	1	
94	NAS1149F0432P	.WASHER (USE WITH 206-040-400-003) (REPLACES AN960-416L)	7		
95	AN174-11A	.BOLT (USE WITH 206-040-400-003)	2	1	
96	AN174-7A	.BOLT (USE WITH 206-040-400-003)	1	1	
97	206-040-400-003	.GEARBOX ASSY, TAIL ROTOR (PRE T.B. 206-86-116) (PRE S.I. 206-112) (SEE FIG. 6 FOR BREAKDOWN) (USBL ON 206-040-301-001)	1	0	A
98	MS21042L4	.NUT (USBL ON 206-040-301-007)	4	1	
99	AN960-416L	.WASHER (USBL ON 206-040-301-007) (REPLACED BY NAS1149F0432P)	4	1	
99	NAS1149F0432P	.WASHER (USBL ON 206-040-301-007) (REPLACES AN960-416L)	4		
100	206-040-400-005	.GEARBOX ASSY, TAIL ROTOR (PRE TB 206-86-116) (PRE SI 206-112) (SEE FIG. 6 FOR BREAKDOWN) (USBL ON 206-040-301-007) (REPLACED BY 206-040-400-107)	1		B
100	206-040-400-101	(ALTERNATE PARTS) .GEARBOX ASSY, TAIL ROTOR (SEE FIG.6 FOR BREAKDOWN) (REPLACED BY 206-040-400-107)	1		
100	206-040-400-103	.GEARBOX ASSY, TAIL ROTOR (SEE FIG. 6 FOR BREAKDOWN) (REPLACED BY 206-040-400-107)	1		
100	206-040-400-009	.GEARBOX ASSY, TAIL ROTOR (POST T.B. 206-86-116) (SEE FIG. 6 FOR BREAKDOWN) (REPLACED BY 206-040-400-107)	1	1	
100	206-040-400-103	(ALTERNATE PART) .GEARBOX ASSY, TAIL ROTOR (SEE FIG. 6 FOR BREAKDOWN) (REPLACED BY 206-040-400-107)	1		
100	206-961-401-001	.GEARBOX ASSY, TAIL ROTOR (POST S.I. 206-112) (SEE FIG. 6 FOR BREAKDOWN) (REPLACED BY 206-040-400-013)	1	0	

(1) INDEX NUMBER	(2) PART NUMBER	(3) ITEM NAME	(4) UNIT PER ASSY	(5) A V A I L	(6) U O C									
		FIGURE: 65-4. Driveshaft installation, tail rotor (S/N 4 thru 913) (Cont'd)												
100	206-040-400-013	.GEARBOX ASSY, TAIL ROTOR (POST S.I. 206-112) (SEE FIG. 6 FOR BREAKDOWN) (REPLACES 206-961-401-001) (REPLACED BY 206-040-400-107)	1	1										
100	206-040-400-107	.GEARBOX ASSY, TAIL ROTOR (USBL ON 206-040-301-007) (REPLACES 206-040-400-005, -009, -013, -101 AND -103)	1											
<p>NOTE 1: 206-040-338-005 HANGER, 206-040-345-009 HANGER, 206-040-346-009 HANGER AND 206-040-339-009 BEARING AS A UNIT REPLACES 206-040-331-001 HANGER, 206-040-335-001 HANGER, 206-040-336-001 HANGER AND 206-040-339-001 BEARING.</p> <p>NOTE 2: SEE MAINTENANCE MANUAL FOR USAGE</p> <p>NOTE 3: 205-040-328-003 ADAPTER AND 206-040-329-003 (2) WASHERS AS A UNIT REPLACED BY 206-040-328-101. SEE MAINTENANCE MANUAL FOR REPLACEMENT PROCEDURES</p>														
<p>USABLE ON CODES</p> <table border="0"> <thead> <tr> <th>CODE</th> <th>MODEL</th> <th>SERIAL NUMBER</th> </tr> </thead> <tbody> <tr> <td>A</td> <td>206A</td> <td>4-413</td> </tr> <tr> <td>B</td> <td>206A/B</td> <td>414-913</td> </tr> </tbody> </table>						CODE	MODEL	SERIAL NUMBER	A	206A	4-413	B	206A/B	414-913
CODE	MODEL	SERIAL NUMBER												
A	206A	4-413												
B	206A/B	414-913												
<p>1) UNLESS A USABLE ON PART NUMBER IS LISTED IN THE ITEM NAME COLUMN; NO CODE INDICATES THE PART APPLIES TO ALL SERIAL NUMBERS.</p> <p>2) IF THE SERIAL NUMBER IS BLANK THE PART APPLIES TO ALL SERIAL NUMBERS FOR THAT MODEL.</p>														

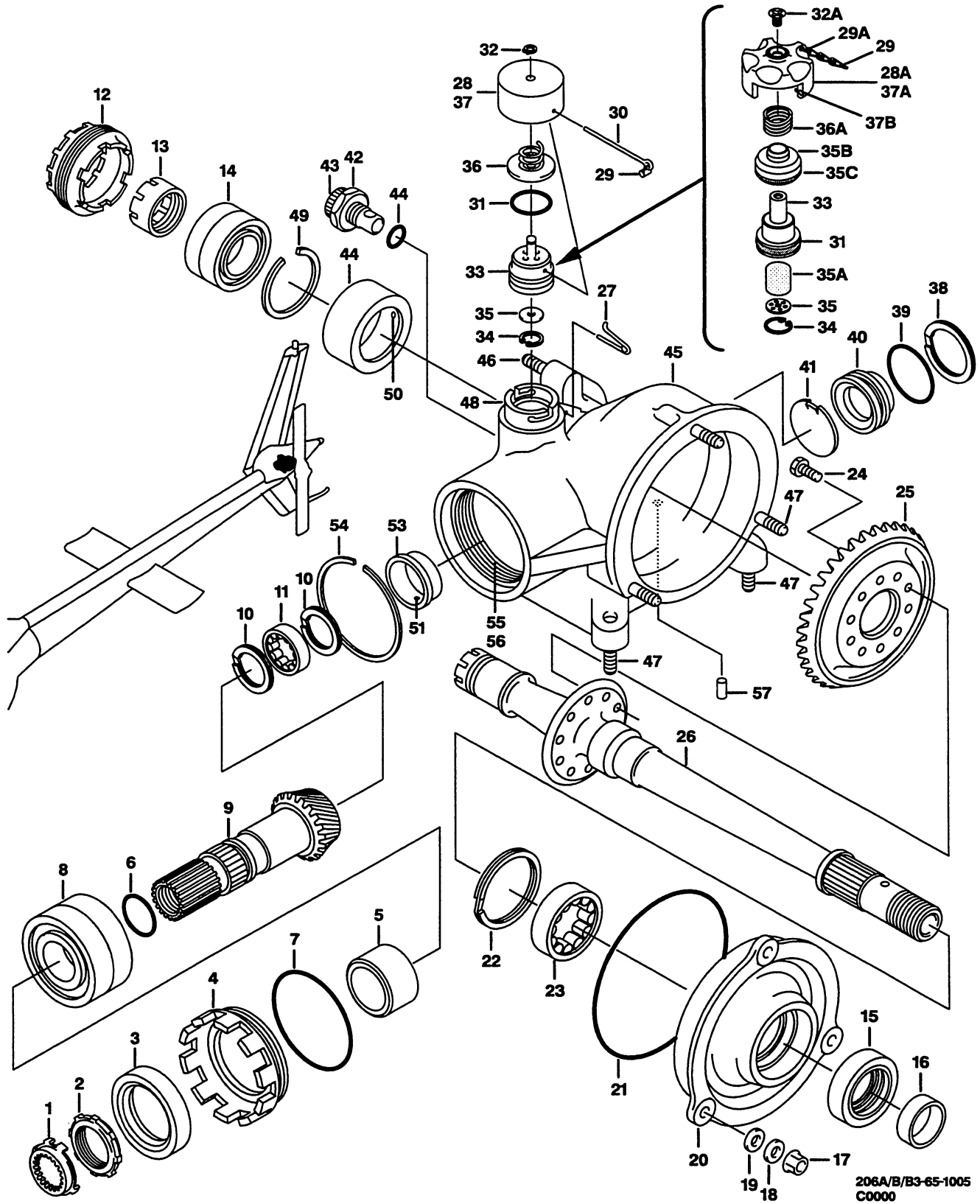


Figure 65-5. Gearbox assembly, tail rotor (S/N 2212 thru SUB)

(1) INDEX NUMBER	(2) PART NUMBER	(3) ITEM NAME	(4) UNIT PER ASSY	(5) A V A I L	(6) U O C
		FIGURE: 65-5. Gearbox assembly, tail rotor (S/N 2212 thru SUB)			
	206-040-400-013	GEARBOX ASSY, TAIL ROTOR (SEE FIG. 1 FOR NHA) (REPLACED BY 206-040-400-107)	REF	1	A
	206-040-400-107	GEARBOX ASSY, TAIL ROTOR (SEE FIG. 1 FOR NHA) (REPLACES 206-040-400-013)	REF		A
	206-040-402-003	GEARBOX ASSY, TAIL ROTOR (SEE FIG. 1 FOR NHA) (REPLACED BY 206-040-402-107) (ALTERNATE PART)	REF	1	C
	206-040-402-105	GEARBOX ASSY, TAIL ROTOR (SEE FIG. 1 FOR NHA)	REF		C
	206-040-402-107	GEARBOX ASSY, TAIL ROTOR (SEE FIG. 1 FOR NHA) (REPLACES 206-040-402-003)	REF		CD
1	NAS1443-7P	.WASHER, KEY	1	1	
2	NAS1493-7	.NUT	1	1	
3	410136H19	.SEAL (USBL ON 206-040-400-013, -107 AND 206-040-402-003) (REPLACED BY 2890-51468, 28905-1462 AND 206-340-103-101) (ALTERNATE PARTS)	1		
3	525894	.SEAL (REPLACED BY 545166)	1		
3	545166	.SEAL (REPLACES 525894)	1	0	
3	2890-51468	.SEAL (USBL ON 206-040-400-013, -107 AND 206-040-402-003) (REPLACES 410136H19) (REPLACED BY 28905-1468 AND 206-340-103-101)	1		
3	28905-1468	.SEAL (USBL ON 206-040-400-103, -107 AND 206-040-402-003) (REPLACES 410136H19 AND 2890-51468) (REPLACED BY 206-340-103-101)	1		
3	206-340-103-101	.SEAL (REPLACES 410136H19, 2890-51468 AND 28905-1468)	1	1	
4	206-040-414-001	.NUT	1	1	
5	206-040-420-001	.SPACER (REPLACED BY 206-040-420-101)	1	0	
5	206-040-420-101	.SPACER (REPLACES 206-040-420-001)	1	1	
6	MS29561-213	.PACKING, PREFORMED (REPLACED BY M83248/1-213)	1		
6	M83248/1-213	.PACKING, PREFORMED (REPLACES MS29561-213)	1	1	
7	MS29561-230	.PACKING, PREFORMED (REPLACED BY M83248/1-230)	1		
7	M83248/1-230	.PACKING, PREFORMED (REPLACES MS29561-230)	1	1	
8	206-040-408-001	.BEARING, DUPLEX (USBL ON 206-040-400-013 AND -107)	1	1	A
8	206-040-438-001	.BEARING, DUPLEX (USBL ON 206-040-402-003 AND -105) (ALTERNATE PART)	1		CD
8	206-040-438-101	.BEARING, DUPLEX (USBL ON 206-040-402-003, -105 AND -107)	1	1	CD
9	206-040-405-003	.GEAR, INPUT PINION (USBL ON 206-040-400-013) (REPLACED BY 206-040-405-101)	1		A
9	206-040-405-101	.GEAR, INPUT PINION (USBL ON 206-040-400-013) (REPLACES 206-040-405-003)	1	1	A
9	206-040-440-001	.GEAR, INPUT PINION (USBL ON 206-040-402-003 AND -105) (REPLACED BY 206-040-440-103)	1		C
9	206-040-440-103	.GEAR, INPUT PINION (USBL ON 206-040-402-003, -105 AND -107) (REPLACES 206-040-440-001)	1	1	CD
10	RR118BX	.RETAINER	2	1	

(1) INDEX NUMBER	(2) PART NUMBER	(3) ITEM NAME	(4) UNIT PER ASSY	(5) A V A I L	(6) U O C
		FIGURE: 65-5. Gearbox assembly, tail rotor (S/N 2212 thru SUB) (Cont'd)			
11	206-040-409-001	.BEARING, INPUT (NOTE 2) (USBL ON 206-040-400-013, -107, 206-040-402-003 AND -105)	1	1	
11	206-340-400-101	.BEARING, INPUT (NOTE 2) (USBL ON 206-040-402-107)	1	1	
12	206-040-415-001	.NUT	1	1	
13	206-040-421-001	.NUT	1	1	
14	206-040-410-001	.BEARING, DUPLEX (USBL ON 206-040-400-013 AND -107)	1	1	A
14	206-040-410-003	.BEARING, DUPLEX (USBL ON 206-040-402-003 AND -105) (REPLACED BY 206-040-410-101) (ALTERNATE PART)	1		E
14	206-040-410-005	.BEARING, DUPLEX (USBL ON 206-040-402-003, -105 . . AND -107) (REPLACED BY 206-040-410-101)	1	1	E
14	206-040-410-101	.BEARING, DUPLEX (USBL ON 206-040-402-003, -105 . . AND -107) (REPLACES 206-040-410-003 AND -005)	1		F
15	410082-HAE	.SEAL (USBL ON 206-040-400-013, -107 AND 206-040-402-003) (REPLACED BY 2890-51832 AND 406-340-105-101)	1		
15	2890-51832	.SEAL (USBL ON 206-040-400-013, -107 AND 206-040-402-003) (REPLACES 410082-HAE) (REPLACED BY 28905-1832 AND 206-340-105-101)	1		
15	28905-1832	.SEAL (USBL ON 206-040-400-013, -107 AND 206-040-402-003) (REPLACES 410082-HAE AND 2890-51832) (REPLACED BY 206-040-402-105 AND -101)	1		
15	406-340-105-101	.SEAL (REPLACES 410082-HAE, 2890-51832 AND 28905-1832)	1	1	
16	J1105	.SLEEVE (REPLACED BY 536827)	1	1	
16	536827	.SLEEVE (REPLACES J1105)	1		
17	MS21042L4	.NUT	3	1	
18	AN960-416L	.WASHER (REPLACED BY NAS1149F0432P)	3	1	
18	NAS1149F0432P	.WASHER (REPLACES AN960-416L)	3		
19	NAS1197-416	.WASHER	3	1	
20	206-040-437-001	.CAP ASSY	1	1	
21	MS29561-244	.PACKING, PREFORMED (REPLACED BY M83248/1-244)	1		
21	M83248/1-244	.PACKING, PREFORMED (REPLACES MS29561-244)	1	1	
22	RR267	.RETAINER	1	1	
23	206-040-205-003	.BEARING, FREEWHEELING (USBL ON 206-040-402-003 . . AND -105) (REPLACED BY 206-040-205-005)	1	0	C
23	206-040-205-005	.BEARING	1	1	
23	206-040-205-105	.BEARING (USBL ON 206-040-402-107)	1	1	
24	NAS1304-1H	.BOLT (USBL ON 206-040-400-013 AND -107) (REPLACED BY NAS6604H1)	10		A
24	NAS6604H1	.BOLT (USBL ON 206-040-400-013 AND -107) (REPLACES NAS1304-1H) (ALTERNATE PART)	10	1	A
24	20-057-4-1H	.BOLT (USBL ON 206-040-400-013 AND -107)	10		A

(1) INDEX NUMBER	(2) PART NUMBER	(3) ITEM NAME	(4) UNIT PER ASSY	(5) A V A I L	(6) U O C
		FIGURE: 65-5. Gearbox assembly, tail rotor (S/N 2212 thru SUB) (Cont'd)			
24	NAS1304-2H	.BOLT (USBL ON 206-040-402-003, -105 AND -107) . . . (REPLACED BY NAS6604H2)	10		CD
24	NAS6604H2	.BOLT (USBL ON 206-040-402-003, -105 AND -107) . . . (REPLACES NAS1304-2H) (ALTERNATE PART)	10	1	CD
24	20-057-4-2H	.BOLT (USBL ON 206-040-402-003, -105 AND -107) . . .	10	1	CD
25	206-040-406-001	.GEAR, BEVEL (USBL ON 206-040-400-013 AND -107) . . (REPLACED BY 206-040-406-101)	1		A
25	206-040-406-101	.GEAR, BEVEL (USBL ON 206-040-400-013) (REPLACES . 206-040-406-001)	1	1	A
25	206-040-441-001	.GEAR, BEVEL (USBL ON 206-040-402-003 AND -105) . . (REPLACED BY 206-040-441-103)	1		C
25	206-040-441-103	.GEAR, BEVEL (USBL ON 206-040-402-003, -105 AND . . -107) (REPLACES 206-040-441-001)	1	1	CD
26	206-040-439-001	.SHAFT	1	1	
27	AN416-2	.PIN	1	1	
28	204-040-502-009	.CAP ASSY (REPLACED BY 412-040-318-101)	1	1	AC
28A	412-040-318-101	.CAP ASSY (REPLACES 204-040-502-009)	1	1	
29	NAS1455A00-4	..CHAIN (MAKE FROM NAS1455A00-(*))	1	0	
29	NAS1455A00-(*)	..CHAIN	1	1	
29A	M27426-1100B	..RETAINER (USBL ON 412-040-318-101)	1		
30	204-040-502-005	..PIN (USBL ON 204-040-502-009)	1	1	
31	MS29561-210	..PACKING, PREFORMED (USBL ON 204-040-502-009) . . . (REPLACED BY M83248/1-210)	1		
31	M83248/1-210	..PACKING, PREFORMED (USBL ON 204-040-502-009) . . . (REPLACES MS29561-210) (REPLACED BY AS3209-210)	1	1	
31	AS3209-210	..PACKING PREFORMED (USBL ON 204-040-502-009) . . . (REPLACES M83248/1-210)	1		
31	M83248/1-209	..PACKING, PREFORMED (USBL ON 412-040-318-101) . . .	1	1	
32	MS16624-5018-1	..RETAINER (USBL ON 204-040-502-009)	1	1	
32A	MS24693C269	..SCREW (USBL ON 412-040-318-101)	1		
33	204-040-505-005	..PLUG (USBL ON 204-040-502-009)	1		
33	412-040-320-101	..PLUG (USBL ON 412-040-318-101)	1		
34	MS16625-1056	..RETAINER	1	1	
35	204-040-509-001	..WASHER (USBL ON 204-040-502-009)	1	1	
35	WD3022-2	..WASHER (USBL ON 412-040-318-101) (ALTERNATE PART)	1	1	
35	412-040-322-101	..WASHER (USBL ON 412-040-318-101)	1		
35A	WD3022-1	..FILTER (USBL ON 412-040-318-101)	1	6	
35B	412-040-321-101	..SLIDER (USBL ON 412-040-318-101)	1		
35C	M83248/1-020	..PACKING, PREFORMED (USBL ON 412-040-318-101) . . .	1	1	
36	204-040-502-003	..SPRING ASSY (USBL ON 204-040-502-009)	1	1	
36A	MS24585-C437	..SPRING (USBL ON 412-040-318-101)	1		
37	204-040-503-003	..CAP (USBL ON 204-040-502-009)	1	1	
37A	412-040-319-101	..CAP ASSY (USBL ON 412-040-318-101)	1		
37B	412-040-319-103	...PIN	2		
38	RRT150C	.RETAINER (REPLACED BY RRT-150C)	1		
38	RRT-150C	.RETAINER (REPLACES RRT150C)	1	1	

(1) INDEX NUMBER	(2) PART NUMBER	(3) ITEM NAME	(4) UNIT PER ASSY	(5) A V A I L	(6) U O C
		FIGURE: 65-5. Gearbox assembly, tail rotor (S/N 2212 thru SUB) (Cont'd)			
39	MS29561-218	.PACKING, PREFORMED (REPLACED BY M83248/1-218) . . .	1	1	
39	M83248/1-218	.PACKING, PREFORMED (REPLACES MS29561-218)	1	1	
40	204-040-514-001	.GLASS (REPLACED BY 412-340-416-101)	1	1	AB
40	412-340-416-101	.GLASS (REPLACES 204-040-514-001)	1		
41	204-040-508-001	.INDICATOR (USBL ON 206-040-400-013 AND -107)	1	1	A
41	204-040-508-011	.INDICATOR (USBL ON 206-040-402-003)	1	1	C
41	204-040-508-101	.INDICATOR (USBL ON 206-040-402-105 AND -107)	1		CD
42	B3225C	.CHIP DETECTOR	1	1	
43	M83248-1-011	.PACKING, PREFORMED (REPLACED BY M83248/1-011) . . .	1	0	
43	M83248/1-011	.PACKING, PREFORMED (REPLACES M83248-1-011)	1	1	
44	NAS617-6	.PACKING, PREFORMED (REPLACED BY M83248/1-906)	1		
44	M83248/1-906	.PACKING, PREFORMED (REPLACES NAS617-6)	1	1	
45	206-040-425-011	.CASE ASSY (USBL ON 206-040-400-013)	1	1	A
45	206-040-425-121	.CASE ASSY (USBL ON 206-040-400-107)	1		A
45	206-040-425-017	.CASE ASSY (USBL ON 206-040-402-003) (REPLACED . . . BY 206-040-425-101 AND -111)	1	0	C
45	206-040-425-101	.CASE ASSY (USBL ON 206-040-402-003) (REPLACES . . . 206-040-425-017) (REPLACED BY 206-040-425-111)	1		C
45	206-040-425-111	.CASE ASSY (USBL ON 206-040-402-003) (REPLACES . . . 206-040-425-017 AND -101)	1	1	C
45	206-040-425-127	.CASE ASSY (USBL ON 206-040-402-105) (REPLACED . . . BY 206-040-425-131 AND-135)	1		CD
45	206-040-425-131	.CASE ASSY (NOTE 2) (USBL ON 206-040-402-105) (REPLACES 206-040-425-127) (REPLACED BY 206-040-425-135)	1		CD
45	206-040-425-135	.CASE ASSY (NOTE 2) (USBL ON 206-040-402-105 AND . . -107) (REPLACES 206-040-425-127 AND -131)	1		CD
46	AN126012	.STUD, STANDARD	3	1	
46	AN126013	.STUD, .003 OVERSIZE	3	1	
46	AN126014	.STUD, .006 OVERSIZE	3	1	
46	AN126015	.STUD, .009 OVERSIZE	3	1	
46	AN126016	.STUD, .012 OVERSIZE	3	1	
47	AN126000	.STUD, STANDARD	7	1	
47	AN126001	.STUD, .003 OVERSIZE	7	1	
47	AN126002	.STUD, .006 OVERSIZE	7	1	
47	AN126003	.STUD, .009 OVERSIZE	7	1	
47	AN126004	.STUD, .012 OVERSIZE	7	1	
48	204-040-506-003	.ADAPTER (USBL ON 206-040-425-011 AND -017)	1	1	
48	204-040-506-103	.ADAPTER (USBL ON 206-040-425-101 AND -111)	1	1	
49	206-040-425-007	.SHIM (NOTE 1)	1	0	
50	AN385-40P3	.PIN (REPLACED BY MS24692-73P)	3	1	
50	MS24692-73P	.PIN (REPLACES AN385-40P3)	3		
51	AN385-40P3	.PIN (REPLACED BY MS24692-73P)	1	1	
51	MS24692-73P	.PIN (REPLACES AN385-40P3)	1		
52	206-040-418-001	.LINER	1	6	
53	206-040-417-001	.LINER (USBL ON 206-040-425-011 AND -121)	1	6	A
53	206-040-417-003	.LINER (USBL ON 206-040-425-017, -101, -127 AND . . -131)	1	6	CD
53	206-040-941-101	.LINER (USBL ON 206-040-425-111 AND -135)	1		CD

(1) INDEX NUMBER	(2) PART NUMBER	(3) ITEM NAME	(4) UNIT PER ASSY	(5) A V A I L	(6) U O C
		FIGURE: 65-5. Gearbox assembly, tail rotor (S/N 2212 thru SUB) (Cont'd)			
54	206-040-425-005	..SHIM (NOTE 1)	1	6	
55	AN385-40P4	..PIN (REPLACED BY MS24692-76P)	3	0	
55	MS24692-76P	..PIN (REPLACES AN385-40P4)	3	1	
56	206-040-416-001	..LINER (USBL ON 206-040-425-011 AND -121)	1	6	A
56	206-040-416-003	..LINER (USBL ON 206-040-425-017, -101, -111, -127 AND -131)	1		CD
57	NAS607-4-7P	..PIN (USBL ON 206-040-425-017, -101, -111, -127, -131 AND -135)	2	1	CD
		NOTE 1: REFERENCE BHT-206B3-CR&O-1			
		NOTE 2: AT INITIAL REPLACEMENT OF P/N 206-040-425-131 CASE ASSY WITH 206-040-425-135 CASE ASSY, P/N 206-040-409-001 BEARING MUST ALSO BE REPLACED WITH P/N 206-340-400-101 BEARING			
		USABLE ON CODES			
		CODE MODEL SERIAL NUMBER			
		A 206BIII 2212-4004			
		B 206BIII 4005-4497			
		C 206BIII 4005-4427			
		D 206BIII 4428 AND SUB			
		E 206BIII 4005-4467			
		F 206BIII 4468-SUB			
		1) UNLESS A USABLE ON PART NUMBER IS LISTED IN THE ITEM NAME COLUMN; NO CODE INDICATES THE PART APPLIES TO ALL SERIAL NUMBERS .			
		2) IF THE SERIAL NUMBER IS BLANK THE PART APPLIES TO ALL SERIAL NUMBERS FOR THAT MODEL .			

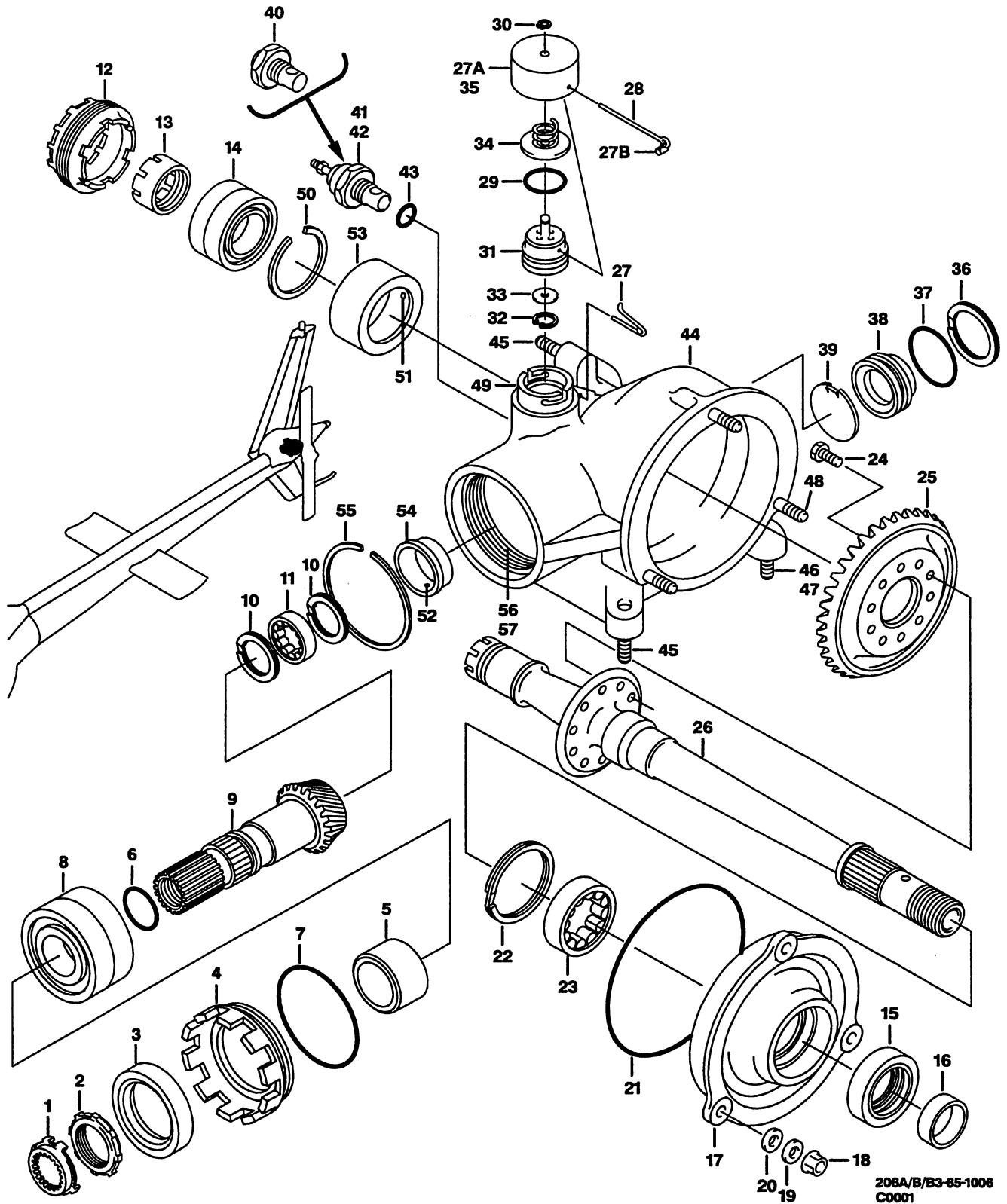


Figure 65-6. Gearbox assembly, tail rotor (S/N 4 thru 2211)

(1) INDEX NUMBER	(2) PART NUMBER	(3) ITEM NAME	(4) UNIT PER ASSY	(5) A V A I L	(6) U O C
		FIGURE: 65-6. Gearbox assembly, tail rotor (S/N 4 thru 2211)			
	206-040-400-003	GEARBOX ASSY, TAIL ROTOR (PRE S.I. 206-112) (PRE . . . T.B. 206-86-116) (SEE FIG. 4 FOR NHA)	REF	0	A
	206-040-400-005	GEARBOX ASSY, TAIL ROTOR (PRE S.I. 206-112) (PRE . . . T.B.206-86-116) (SEE FIG. 4 FOR NHA) (REPLACED BY 206-040-400-107)	REF		B
		(ALTERNATE PARTS)			
	206-040-400-101	GEARBOX ASSY, TAIL ROTOR (SEE FIG. 4 FOR NHA) (REPLACED BY 206-040-400-107)	REF		
	206-040-400-103	GEARBOX ASSY, TAIL ROTOR (SEE FIG. 4 FOR NHA) (REPLACED BY 206-040-400-107)	REF		
	206-040-400-009	GEARBOX ASSY, TAIL ROTOR (POST T.B. 206-86-116) . . . (SEE FIG. 2, 3 AND 4 FOR NHA) (REPLACED BY 206-040-400-107)	REF	1	
		(ALTERNATE PART)			
	206-040-400-103	GEARBOX ASSY, TAIL ROTOR (SEE FIG. 2, 3 AND 4 FOR . . . NHA) (REPLACED BY 206-040-400-107)	REF		
	206-040-400-011	GEARBOX ASSY, TAIL ROTOR (PRE S.I. 206-112) (PRE . . . T.B. 206-86-116) (SEE FIG. 2, 3 FOR NHA) (REPLACED BY 206-040-400-107)	REF	0	C
		(ALTERNATE PART)			
	206-040-400-105	GEARBOX ASSY, TAIL ROTOR (SEE FIG. 2 AND 3 FOR . . . NHA)	REF		
	206-961-401-001	GEARBOX ASSY, TAIL ROTOR (POST S.I. 206-112) (SEE . . FIG. 2, 3 AND 4 FOR NHA) (REPLACED BY 206-040-400-013)	REF	0	
	206-040-400-013	GEARBOX ASSY, TAIL ROTOR (POST S.I. 206-112) (SEE . . FIG. 2, 3 AND 4 FOR NHA) (REPLACES 206-961-401-001) (REPLACED BY 206-040-400-107)	REF	1	
	206-040-400-107	GEARBOX ASSY, TAIL ROTOR (SEE FIG. 2, 3 AND 4 FOR . . NHA) (REPLACES 206-040-400-005, -009, -011, -013, -101 AND -103)	REF		
1	NAS1443-7	.WASHER (USBL ON 206-040-400-003, -005 AND -101) . . . (REPLACED BY NAS1443-7P)	1		
1	NAS1443-7P	.WASHER (USBL ON 206-040-400-003, -005 AND -101) . . . (REPLACES NAS1443-7)	1	1	
2	NAS1493-7	.NUT	1	1	
3	450136H19	.SEAL (NOTE 2) (USBL ON 206-040-400-003, -005 AND . . -101) (REPLACED BY 2890-51468, 28905-1468 AND 206-340-103-101)	1		
3	410136H19	.SEAL (NOTE 2) (USBL ON 206-040-400-009, -011, . . . -013, -103, -105 AND -107) (REPLACED BY 2890-51468, 2895-1468 AND 206-340-103-101)	1		
		(ALTERNATE PART)			
3	525894	.SEAL (NOTE 2) (REPLACED BY 545166, 2890-51468, . . 28905-1468 AND 206-340-103-101)	1		
3	545166	.SEAL (NOTE 2) (REPLACES 525894) (REPLACED BY . . . 2890-51468, 28905-1468 AND 206-340-103-101)	1	0	

(1) INDEX NUMBER	(2) PART NUMBER	(3) ITEM NAME	(4) UNIT PER ASSY	(5) A V A I L	(6) U O C
		FIGURE: 65-6. Gearbox assembly, tail rotor (S/N 4 thru 2211) (Cont'd)			
3	2980-51468	.SEAL (NOTE 2) (REPLACES 410136H19, 525894 AND . . . 545166) (REPLACED BY 28905-1468 AND 206-340-103-101)	1		
3	29805-1468	.SEAL (NOTE 2) (REPLACES 410136H19, 525894 AND . . . 545166) (REPLACED BY 206-340-103-101)	1		
3	206-340-103-101	.SEAL (NOTE 2) (REPLACES 450136H19, 410136H19, . . . 525894, 545166, 2890-51468 AND 28905-1468)	1	1	
4	206-040-414-001	.NUT	1	1	
5	206-040-420-001	.SPACER (REPLACED BY 206-040-420-101)	1	0	
5	206-040-420-101	.SPACER (REPLACES 206-040-420-001)	1	1	
6	MS29561-213	.PACKING, PREFORMED (NOTE 2) (REPLACED BY M83248/1-213)	1		
6	M83248/1-213	.PACKING, PREFORMED (NOTE 2) (REPLACES MS29561-213)	1	1	
7	MS29561-230	.PACKING, PREFORMED (NOTE 2) (REPLACED BY M83248/1-230)	1		
7	M83248/1-230	.PACKING, PREFORMED (NOTE 2) (REPLACES MS29561-230)	1	1	
8	206-040-408-001	.BEARING	1	1	
9	206-040-405-003	.GEAR (REPLACED BY 206-040-405-101)	1		
9	206-040-405-101	.GEAR (REPLACES 206-040-405-003)	1	1	
10	RR118BX	.RETAINER	2	1	
11	206-040-409-001	.BEARING	1	1	
12	206-040-415-001	.NUT	1	1	
13	206-040-421-001	.NUT	1	1	
14	206-040-410-001	.BEARING	1	1	
15	450236H19	.SEAL (NOTE 2) (USBL ON 206-040-400-003, -005 AND . -101) (REPLACED BY 2890-51132, 28905-1132 AND 206-340-100-101)	1		
15	410236H19	.SEAL (NOTE 2) (USBL ON 206-040-400-009, -011, . . . -103 AND -105) (REPLACED BY 2890-51132, 28905-1132 AND 206-340-100-101) (ALTERNATE PART)	1		
15	525900	.SEAL (NOTE 2) (REPLACED BY 54287, 2890-51132, . . . 28905-1132 AND 206-340-100-101)	1		
15	542872	.SEAL (NOTE 2) (REPLACES 525900) (REPLACED BY 2890-51132, 28905-1132 AND 206-340-100-101)	1		
15	2890-51132	.SEAL (NOTE 2) (REPLACES 410236H19, 525900 AND . . . 542872) (REPLACED BY 28905-1132 AND 206-340-100-101)	1		
15	28905-1132	.SEAL (NOTE 2) (REPLACES 450236H19, 410236H19, . . . 525900, 542872 AND 2890-51132) (REPLACED BY 206-340-100-101)	1		
15	206-340-100-101	.SEAL (NOTE 2) (REPLACES 450236H19, 410236H19, . . . 525900, 542872, 2890-51132 AND 28905-1132)	1		
15	410082HAE	.SEAL (NOTE 2) (USBL ON 206-040-400-013, -107 AND . 206-961-401-001) (REPLACED BY 2890-51832)	1		

(1) INDEX NUMBER	(2) PART NUMBER	(3) ITEM NAME	(4) UNIT PER ASSY	(5) A V A I L	(6) U O C
		FIGURE: 65-6. Gearbox assembly, tail rotor (S/N 4 thru 2211) (Cont'd)			
15	2890-51832	.SEAL (NOTE 2) (USBL ON 206-040-400-013 AND 206-961-401-001) (REPLACES 410082HAE) (REPLACED BY 28905-1832)	1		
15	28905-1832	.SEAL (NOTE 2) (USBL ON 206-040-400-013 AND 206-961-401-001) (REPLACES 410082HAE) (REPLACES 2890-51832)	1		
16	J1105	.SLEEVE (USBL ON 206-040-400-013, -107 AND 206-961-401-001) (REPLACED BY 536827)	1	1	
16	536827	.SLEEVE (REPLACES J1105)	1		
17	206-040-424-001	.CAP ASSY (USBL ON 206-040-400-003, -005 AND -101)	1	1	
		(ALTERNATE PART)			
17	206-040-427-001	.CAP ASSY (USBL ON 206-040-400-009, -011, -103 AND -105)	1	1	
17	206-040-437-001	.CAP ASSY (USBL ON 206-040-400-013, 206-961-401-001 AND 206-040-400-107)	1	1	
18	MS21042L4	.NUT	3	1	
19	AN960-416L	.WASHER (REPLACED BY NAS1149F0432P)	3	1	
19	NAS1149F0432P	.WASHER (REPLACES AN960-416L)	3		
20	NAS1197-416	.WASHER	3	1	
21	MS29561-244	.PACKING, PREFORMED (NOTE 2) (REPLACED BY M83248/1-244)	1		
21	M83248/1-244	.PACKING, PREFORMED (NOTE 2) (REPLACES MS29561-244)	1	1	
22	RR185BX	.RETAINER (USBL ON 206-040-400-003, -005, -009, -011, -101, -103 AND -105)	1	1	
22	RR267	.RETAINER (USBL ON 206-040-400-013 AND -107)	1	1	
22	RR268	.RETAINER (USBL ON 206-961-401-001) (REPLACES M27426-3165A AND M27426-3156D)	1	0	
22	M27426-3165D	.RETAINER (USBL ON 206-961-401-001) (REPLACES RR268) (REPLACED BY M27426-3165A)	1		
22	M27426-3165A	.RETAINER (USBL ON 206-961-401-001) (REPLACES RR268 AND M27426-3165D)	1		
23	206-040-411-001	.BEARING (USBL ON 206-040-400-003, -005, -009, -011, -101, -103 AND -105)	1	1	
23	206-040-205-005	.BEARING (USBL ON 206-040-400-013, -107 AND 206-961-401-0001)	1	1	
24	NAS1304-1H	.BOLT (REPLACED BY NAS6604H1)	10		
24	NAS6604H1	.BOLT (REPLACES NAS1304-1H)	10	1	
		(ALTERNATE PART)			
24	20-057-4-1H	.BOLT	10		
25	206-040-406-001	.GEAR (REPLACED BY 206-040-406-101)	1		
25	206-040-406-101	.GEAR (REPLACES 206-040-406-001)	1	1	
26	206-040-407-007	.SHAFT (USBL ON 206-040-400-003, -005, -009, -011, -101, -103 AND -105)	1	1	
26	206-040-439-001	.SHAFT (USBL ON 206-040-400-013 AND -107)	1	1	
27	AN416-2	.PIN	1	1	
27A	204-040-502-009	.CAP ASSY	1	1	
27B	NAS1455A00-4	..CHAIN (MAKE FROM NAS1455A00-(*))	1	0	

(1) INDEX NUMBER	(2) PART NUMBER	(3) ITEM NAME	(4) UNIT PER ASSY	(5) A V A I L	(6) U O C
		FIGURE: 65-6. Gearbox assembly, tail rotor (S/N 4 thru 2211) (Cont'd)			
27B	NAS1455A00- (*)	..CHAIN	1	1	
28	204-040-502-005	..PIN	1	1	
29	MS29561-210	..PACKING, PREFORMED (NOTE 2) (REPLACED BY M83248/1-210)	1		
29	M83248/1-210	..PACKING, PREFORMED (NOTE 2) (REPLACES MS29561-210) (REPLACED BY AS3209-210)	1	1	
29	AS3209-210	..PACKING PREFORMED (NOTE 2) (REPLACES M83248/1-210)	1		
30	MS16624-5018-1	..RETAINER	1	1	
31	204-040-505-005	..PLUG	1		
32	MS16625-1056	..RETAINER	1	1	
33	204-040-509-001	..WASHER	1	1	
34	204-040-502-003	..SPRING ASSY	1	1	
35	204-040-503-003	..CAP	1	1	
36	RRT150C	..RETAINER (REPLACED BY RRT-150C)	1		
36	RRT-150C	..RETAINER (REPLACES RRT150C)	1	1	
37	MS29561-218	..PACKING, PREFORMED (NOTE 2) (REPLACED BY M83248/1-218)	1	1	
37	M83248/1-218	..PACKING, PREFORMED (NOTE 2) (REPLACES MS29561-218)	1	1	
38	204-040-514-001	..GLASS (REPLACED BY 412-340-416-101)	1	1	
38	412-340-416-101	..GLASS (REPLACES 204-040-514-001)	1		
39	204-040-508-001	..INDICATOR	1	1	
40	8758R	..PLUG (USBL ON 206-040-003, -005, -011, -101 AND . . -105)	1		
41	B3225C	..CHIP DETECTOR (USBL ON 206-040-400-009, -013, . . . -103 AND -107)	1	1	
42	M83248/1-011	..PACKING, PREFORMED	1	1	
43	NAS617-6	..PACKING, PREFORMED (NOTE 2) (REPLACED BY M83248/1-906)	1		
43	M83248/1-906	..PACKING, PREFORMED (NOTE 2) (REPLACES NAS617-6) . .	1	1	
44	206-040-412-013	..CASE ASSY (USBL ON 206-040-400-003)	1	0	
44	206-040-425-001	..CASE ASSY (USBL ON 206-040-400-005)	1		
44	206-040-425-115	..CASE ASSY (USBL ON 206-040-400-101) (ALTERNATE PART)	1		
44	206-040-425-123	..CASE ASSY (USBL ON 206-040-400-101 AND -105)	1		
44	206-040-425-013	..CASE ASSY (USBL ON 206-040-400-011)	1		
44	206-040-425-011	..CASE ASSY (USBL ON 206-040-400-009 AND 013)	1	1	
44	206-040-425-121	..CASE ASSY (USBL ON 206-040-425-103 AND -107)	1		
45	AN126000	..STUD, STANDARD (NOTE 1) (USBL ON 206-040-425-001, -013 AND -011)	2	1	
45	AN126001	..STUD, .003 OVERSIZE (NOTE 1) (USBL ON 206-040-425-001, -013 AND -011)	2	1	
45	AN126002	..STUD, .006 OVERSIZE (NOTE 1) (USBL ON 206-040-425-0001, -013 AND -011)	2	1	
45	AN126003	..STUD, .009 OVERSIZE (NOTE 1) (USBL ON 206-040-425-001, -013 AND -011)	2	1	
45	AN126004	..STUD, .012 OVERSIZE (NOTE 1) (USBL ON 206-040-425-001, -013 AND -011)	2	1	

(1) INDEX NUMBER	(2) PART NUMBER	(3) ITEM NAME	(4) UNIT PER ASSY	(5) A V A I L	(6) U O C
		FIGURE: 65-6. Gearbox assembly, tail rotor (S/N 4 thru 221) (Cont'd)			
46	AN126012	..STUD, STANDARD (NOTE 1) (USBL ON 206-040-425-013)	2	1	
46	AN126014	..STUD, .006 OVERSIZE (NOTE 1) (USBL ON 206-040-425-013)	2	1	
46	AN126015	..STUD, .009 OVERSIZE (NOTE 1) (USBL ON 206-040-425-013)	2	1	
46	AN126016	..STUD, .012 OVERSIZE (NOTE 1) (USBL ON 206-040-425-013)	2	1	
46	AN126013	..STUD, .003 OVERSIZE (NOTE 1) (USBL ON 206-040-425-013)	2	1	
46	AN126000	..STUD, STANDARD (NOTE 1) (USBL ON 206-040-425-001 AND -011)	2	1	
46	AN126001	..STUD, .003 OVERSIZE (NOTE 1) (USBL ON 206-040-425-001 AND -011)	2	1	
46	AN126002	..STUD, .006 OVERSIZE (NOTE 1) (USBL ON 206-040-425-001 AND -011)	2	1	
46	AN126003	..STUD, .009 OVERSIZE (NOTE 1) (USBL ON 206-040-425-001 AND -011)	2	1	
46	AN126004	..STUD, .012 OVERSIZE (NOTE 1) (USBL ON 206-040-425-001 AND -011)	2	1	
47	AN126000	..STUD, STANDARD (NOTE 1) (USBL ON 206-040-412-013)	1	1	
47	AN126001	..STUD, .003 OVERSIZE (NOTE 1) (USBL ON 206-040-412-013)	1	1	
47	AN126002	..STUD, .006 OVERSIZE (NOTE 1) (USBL ON 206-040-412-013)	1	1	
47	AN126003	..STUD, .009 OVERSIZE (NOTE 1) (USBL ON 206-040-412-013)	1	1	
47	AN126004	..STUD, .012 OVERSIZE (NOTE 1) (USBL ON 206-040-412-013)	1	1	
48	AN126000	..STUD, STANDARD (NOTE 1)	3	1	
48	AN126001	..STUD, .003 OVERSIZE (NOTE 1)	3	1	
48	AN126002	..STUD, .006 OVERSIZE (NOTE 1)	3	1	
48	AN126003	..STUD, .009 OVERSIZE (NOTE 1)	3	1	
48	AN126004	..STUD, .012 OVERSIZE (NOTE 1)	3	1	
49	204-040-506-001	..ADAPTER (USBL ON 206-040-425-001 AND 206-040-412-013) (ALTERNATE PART)	1		
49	204-040-506-003	..ADAPTER	1	1	
50	206-040-412-007	..SHIM (USBL ON 206-040-412-013) (ALTERNATE PART)	1	6	
50	206-040-425-007	..SHIM (NOTE 1)	1	0	
51	AN385-40P3	..PIN (REPLACED BY MS24692-73P)	3	1	
51	MS24692-73P	..PIN (REPLACES AN385-40P3)	3		
52	AN385-40P3	..PIN (REPLACED BY MS24692-73P)	1	1	
52	MS24692-73P	..PIN (REPLACES AN385-40P3)	1		
53	206-040-418-001	..LINER	1	6	
54	206-040-417-001	..LINER	1	6	
55	206-040-412-005	..SHIM (USBL ON 206-040-412-013)	1	6	

(1) INDEX NUMBER	(2) PART NUMBER	(3) ITEM NAME	(4) UNIT PER ASSY	(5) A V A I L	(6) U O C												
		<p>FIGURE: 65-6. Gearbox assembly, tail rotor (S/N 4 thru 2211) (Cont'd)</p> <p>(ALTERNATE PART)</p> <p>55 206-040-425-005 ..SHIM (NOTE 1) 1 6</p> <p>56 AN385-40P4 ..PIN (REPLACED BY MS24692-76P) 3 0</p> <p>56 MS24692-76P ..PIN (REPLACES AN385-40P4) 3 1</p> <p>57 206-040-416-001 ..LINER 1 6</p> <p>206-1735-8 SEAL KIT, TAIL ROTOR 1</p> <p>NOTE 1: SEE BHT-206A/B SERIES MM FOR APPLICATION.</p> <p>NOTE 2: PART OF SEAL KIT 206-1735-8.</p> <p>USABLE ON CODES</p> <table border="0"> <tr> <td>CODE</td> <td>MODEL</td> <td>SERIAL NUMBER</td> </tr> <tr> <td>A</td> <td>206A</td> <td>4-413</td> </tr> <tr> <td>B</td> <td>206A/B</td> <td>414-913</td> </tr> <tr> <td>C</td> <td>206A/B</td> <td>414-2211</td> </tr> </table> <p>1) UNLESS A USABLE ON PART NUMBER IS LISTED IN THE ITEM NAME COLUMN; NO CODE INDICATES THE PART APPLIES TO ALL SERIAL NUMBERS.</p> <p>2) IF THE SERIAL NUMBER IS BLANK THE PART APPLIES TO ALL SERIAL NUMBERS FOR THAT MODEL.</p>	CODE	MODEL	SERIAL NUMBER	A	206A	4-413	B	206A/B	414-913	C	206A/B	414-2211			
CODE	MODEL	SERIAL NUMBER															
A	206A	4-413															
B	206A/B	414-913															
C	206A/B	414-2211															