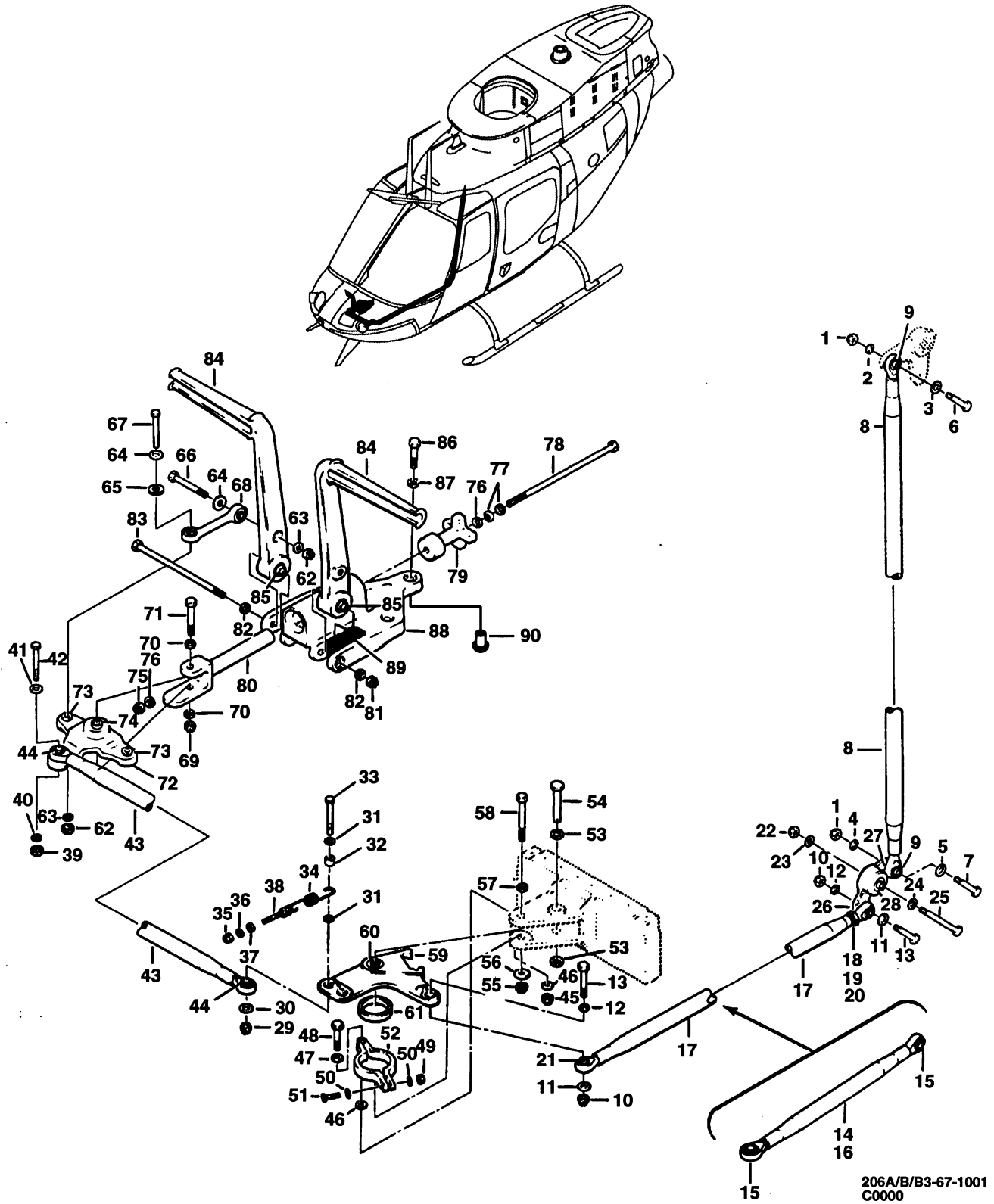


CONTENTS - IPB

Figure Number	Figure Title	Chapter/Section Number	Page Number
67-1	Controls installation, anti-torque.....	67-99-00	2
67-2	Controls installation, anti-torque.....	67-99-00	8
67-3	Controls installation, collective pitch.....	67-99-00	16
67-4	Jackshaft assembly.....	67-99-00	22
67-5	Controls installation, cyclic.....	67-99-00	30
67-6	Controls installation, cyclic and collective (S/N 4 thru 550).....	67-99-00	38
67-7	Control installation, cyclic and collective (S/N 551 thru 2622).....	67-99-00	44
67-8	Controls installation, cyclic and collective (S/N 2623 thru SUB).....	67-99-00	50
67-9	Dual controls kit.....	67-99-00	54
67-10	Dual controls kit.....	67-99-00	60



206A/B/B3-67-1001
C0000

Figure 67-1. Controls installation, anti-torque

(1) INDEX NUMBER	(2) PART NUMBER	(3) ITEM NAME	(4) UNIT PER ASSY	(5) A V A I L	(6) U O C
		FIGURE: 67-1. Controls installation, anti-torque			
	206-001-008-001	CONTROLS INSTL, ANTI-TORQUE (SEE FIG. 2 FOR BALANCE OF BREAKDOWN)	1		
	206-001-008-005	CONTROLS INSTL, ANTI-TORQUE (SEE FIG. 2 FOR BALANCE OF BREAKDOWN)	1		
	206-001-008-007	CONTROLS INSTL, ANTI-TORQUE (SEE FIG. 2 FOR BALANCE OF BREAKDOWN)	1		
	206-001-008-009	CONTROLS INSTL, ANTI-TORQUE (SEE FIG. 2 FOR BALANCE OF BREAKDOWN)	1		
	206-001-008-011	CONTROLS INSTL, ANTI-TORQUE (SEE FIG. 2 FOR BALANCE OF BREAKDOWN)	1		
	206-001-008-013	CONTROLS INSTL, ANTI-TORQUE (SEE FIG. 2 FOR BALANCE OF BREAKDOWN)	1		
	206-001-018-001	CONTROLS INSTL, ANTI-TORQUE (SEE FIG. 2 FOR BALANCE OF BREAKDOWN)	1		
	206-001-018-003	CONTROLS INSTL, ANTI-TORQUE (SEE FIG. 2 FOR BALANCE OF BREAKDOWN)	1		
	206-001-018-007	CONTROLS INSTL, ANTI-TORQUE (SEE FIG. 2 FOR BALANCE OF BREAKDOWN)	1		
	206-001-018-101	CONTROLS INSTL, ANTI-TORQUE (SEE FIG. 2 FOR BALANCE OF BREAKDOWN)	1		
1	MS17825-4	.NUT (REPLACED BY MS14144L4)	2	0	
1	MS14144L4	.NUT (REPLACES MS17825-4) (ALTERNATE PART)	2	1	
1	AN310-4	.NUT	2	1	
2	AN960PD416	.WASHER (REPLACED BY AN960JD416)	1		
2	AN960JD416	.WASHER (REPLACES AN960PD416) (REPLACED BY NAS1149D0463J)	1		
2	NAS1149D0463J	.WASHER (REPLACES AN960JD416)	1		
3	50Z12-9-2	.SPACER	2	1	
4	AN960PD416	.WASHER (REPLACED BY AN960JD416) (USBL ON 206-001-008-001, -005, -007, -009, -011 AND -013)	1		E
4	AN960JD416	.WASHER (REPLACES AN960PD416) (REPLACED BY NAS1149D0463J) (USBL ON 206-001-008-001, -005, -007, -009, -011 AND -013)	1		E
4	NAS1149D0463J	.WASHER (REPLACES AN960JD416) (USBL ON 206-001-008-001, -005, -007, -009, -011 AND -013)	1		E
5	AN960PD416L	.WASHER (REPLACED BY AN960JD416L) (USBL ON 206-001-018-001, -003, -007 AND -101)	1		K
5	AN960JD416L	.WASHER (REPLACES AN960PD416L) (REPLACED BY NAS1149D0416J) (USBL ON 206-001-018-001, -003, -007 AND -101)	1	1	K
5	NAS1149D0416J	.WASHER (REPLACES AN960JD416L) (USBL ON 206-001-018-001, -003, -007 AND -101)	1	1	K
6	AN174-12	.BOLT	1	1	
7	AN174-12	.BOLT (USBL ON 206-001-008-001, -005, -007, -009, -011, 206-001-018-001, -003, -007 AND -101)	1	1	DK
7	AN174-13	.BOLT (USBL ON 206-001-008-013)	1	1	F

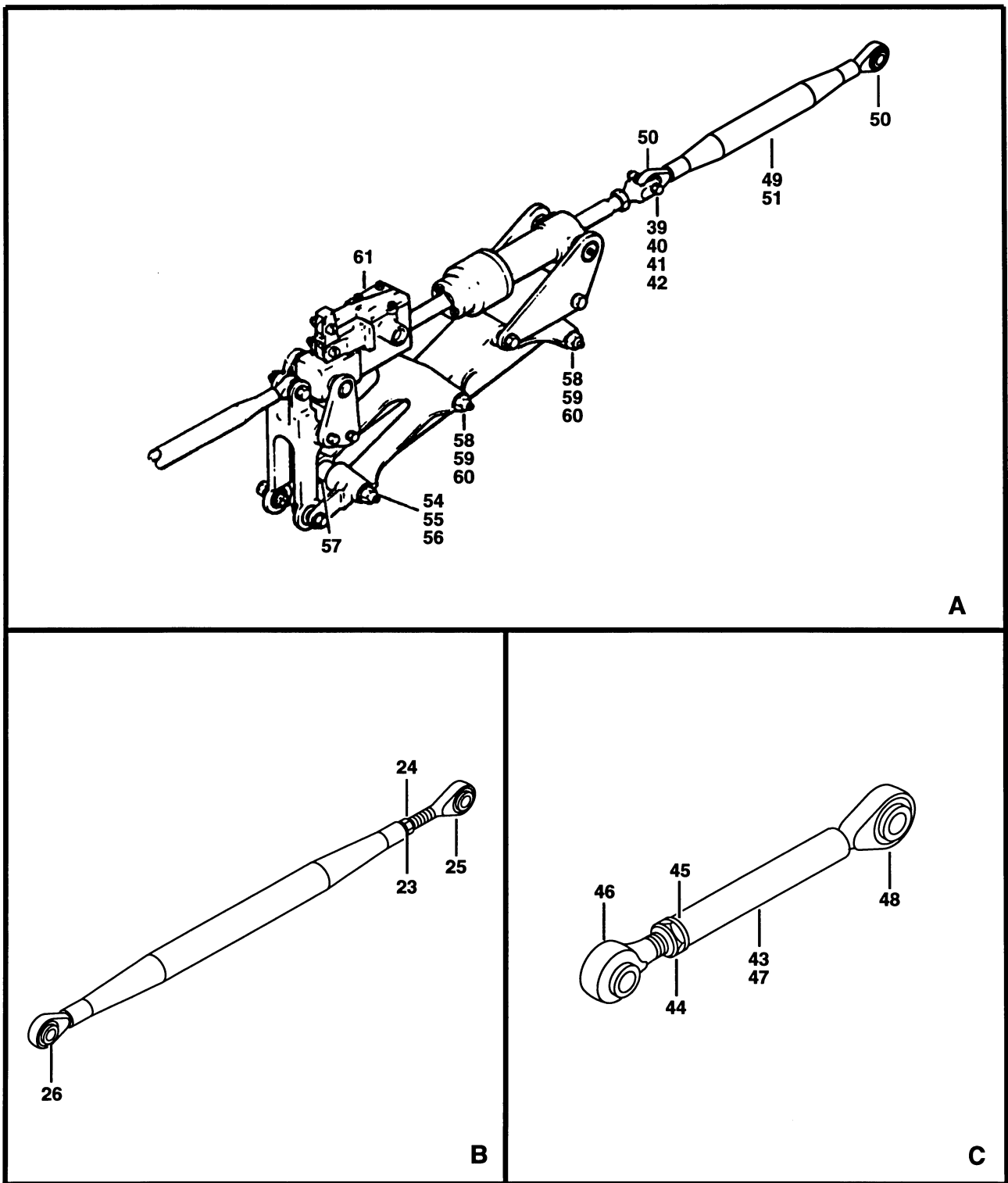
(1) INDEX NUMBER	(2) PART NUMBER	(3) ITEM NAME	(4) UNIT PER ASSY	(5) A V A I L	(6) U C C
FIGURE: 67-1. Controls installation, anti-torque (Cont'd)					
8	206-001-020-029	.TUBE ASSY, FIXED	1	1	
9	206-001-055-001	..BEARING	2	1	
10	MS17825-4	.NUT (REPLACED BY MS14144L4)	2	0	
10	MS14144L4	.NUT (REPLACES MS17825-4) (ALTERNATE PART)	2	1	
10	AN310-4	.NUT	2	1	
11	50Z12-9-2	.SPACER	2	1	
12	AN960PD416	.WASHER (REPLACED BY AN960JD416)	2		
12	AN960JD416	.WASHER (REPLACES AN960PD416) (REPLACED BY NAS1149D0463J)	2		
12	NAS1149D0463J	.WASHER (REPLACES AN960JD416)	2		
13	AN174-12	.BOLT	2	1	
14	206-001-020-041	.TUBE ASSY (USBL ON 206-001-008-001, -005, -007 AND -009)	1		E
15	206-001-055-001	..BEARING	2	1	
16	206-001-020-039	..TUBE	1		
17	206-001-022-073	.TUBE ASSY, ADJUSTABLE (USBL ON 206-001-008-011, -013, 206-001-018-001, -003, -007 AND -101)	1	1	H
18	AN316-6R	.NUT	1	1	
19	AN960PD616	..WASHER (REPLACED BY AN960JD616)	1		
19	AN960JD616	..WASHER (REPLACES AN960PD616) (REPLACED BY NAS1149D0663J)	1		
19	NAS1149D0663J	..WASHER (REPLACES AN960JD616)	1		
20	206-001-052-001	..BEARING	1	1	
	206-001-022-075	..TUBE ASSY	1		
21	206-001-055-001	..BEARING	1	1	
22	MS17825-5	.NUT (REPLACED BY MS14144L5)	1		
22	MS14144L5	.NUT (REPLACES MS17825-5) (ALTERNATE PART)	1	1	
22	AN310-5	.NUT	1	1	
23	AN970-5	.WASHER	1	1	
24	AN960PD516	.WASHER (REPLACED BY AN960JD516)	1		
24	AN960JD516	.WASHER (REPLACES AN960PD516) (REPLACED BY NAS1149D0563J)	1	1	
24	NAS1149D0563J	.WASHER (REPLACES AN960JD516)	1	1	
25	AN175-22	.BOLT (USBL ON 206-001-008-001, -005, -007, -009, -011 AND -013)	1	1	D
25	AN175-20	.BOLT (USBL ON 206-001-018-001, -003, -007 AND -101)	1	1	K
26	206-001-705-001	.BELLCRANK ASSY (USBL ON 206-001-008-001, -005, -007, -009 AND -011)	1		D
26	206-001-705-005	.BELLCRANK ASSY (USBL ON 206-001-008-013, 206-001-018-001, -003, -007 AND -101)	1	1	J
27	23-006-15-19-16	..BUSHING (USBL ON 206-001-008-013, 206-001-018-001, -003, -007 AND -101)	1	1	J
28	DW5	..BEARING (REPLACED BY MS27647-5)	1	0	
28	MS27647-5	..BEARING (REPLACES DW5)	1	1	
29	MS17825-4	.NUT (REPLACED BY MS14144L4)	1	0	
29	MS14144L4	.NUT (REPLACES MS17825-4) (ALTERNATE PART)	1	1	

(1) INDEX NUMBER	(2) PART NUMBER	(3) ITEM NAME	(4) UNIT PER ASSY	(5) A V A I L	(6) U O C
		FIGURE: 67-1. Controls installation, anti-torque (Cont'd)			
29	AN310-4	.NUT	1	1	
30	50Z12-9-2	.SPACER	1	1	
31	AN960PD416	.WASHER (REPLACED BY AN960JD416)	2		
31	AN960JD416	.WASHER (REPLACES AN960PD416) (REPLACED BY NAS1149D0463J)	2		
31	NAS1149D0463J	.WASHER (REPLACES AN960JD416)	2		
32	NAS43DD4-16	.SPACER	1		
33	AN174-15	.BOLT (USBL ON 206-001-008-001, -005, -007, -009, -011 AND -013)	1	1	E
33	AN174-14	.BOLT (USBL ON 206-001-018-001, -003, -007 AND -101)	1	1	K
34	206-001-721-001	.SPRING (USBL ON 206-001-008-001, -005, -007, -009, -011 AND -013)	1	1	E
35	NAS679A3	.NUT (REPLACED BY MS21042L3) (USBL ON 206-001-008-001, -005, -007, -009, -011 AND -013)	1		E
35	MS21042L3	.NUT (REPLACES NAS679A3) (USBL ON 206-001-008-001, -005, -007, -009, -011 AND -013)	1	1	E
36	AN960PD10	.WASHER (REPLACED BY AN960JD10) (USBL ON 206-001-008-001, -005, -007, -009, -011 AND -013)	1		E
36	AN960JD10	.WASHER (REPLACES AN960PD10) (REPLACED BY NAS1149D0363J) (USBL ON 206-001-008-001, -005, -007, -009, -011 AND -013)	1		E
36	NAS1149D0363J	.WASHER (REPLACES AN960JD10) (USBL ON 206-001-008-001, -005, -007, -009, -011 AND -013)	1		E
37	NAS671-10	.NUT (USBL ON 206-001-008-001, -005, -007, -009, -011 AND -013)	1	1	E
38	206-001-745-001	.EYEBOLT ASSY (USBL ON 206-001-008-001, -005, -007, -009, -011 AND -013)	1	1	E
39	MS17825-4	.NUT (REPLACED BY MS14144L4)	1	0	
39	MS14144L4	.NUT (REPLACES MS17825-4) (ALTERNATE PART)	1	1	
39	AN310-4	.NUT	1	1	
40	50Z12-9-2	.SPACER	1	1	
41	AN960PD416	.WASHER (REPLACED BY AN960JD416)	1		
41	AN960JD416	.WASHER (REPLACES AN960PD416) (REPLACED BY NAS1149D0463J)	1		
41	NAS1149D0463J	.WASHER (REPLACES AN960JD416)	1		
42	AN174-12	.BOLT	1	1	
43	206-001-020-005	.TUBE ASSY (USBL ON 206-001-008-001 AND -005)	1	0	B
43	206-001-020-049	.TUBE ASSY, FIXED (USBL ON 206-001-008-007, -009, -011, -013, 206-001-018-001, -003 AND -007)	1	1	G
43	206-001-020-101	.TUBE ASSY, FIXED (USBL ON 206-001-018-101)	1	1	L
44	206-001-055-001	.BEARING	2	1	
45	NAS679A4	.NUT (REPLACED BY MS21042L4)	1	0	
45	MS21042L4	.NUT (REPLACES NAS679A4)	1	1	

(1) INDEX NUMBER	(2) PART NUMBER	(3) ITEM NAME	(4) UNIT PER ASSY	(5) A V A I L	(6) U O C
		FIGURE: 67-1. Controls installation, anti-torque (Cont'd)			
46	NAS1197-416	.WASHER	2	1	
47	AN960-416	.WASHER (REPLACED BY NAS1149F0463P)	1	1	
47	NAS1149F0463P	.WASHER (REPLACES AN960-416)	1		
48	AN4-12A	.BOLT	1	1	
49	NAS679A08	.NUT (REPLACED BY MS21042L08)	1		
49	MS21042L08	.NUT (REPLACES NAS679A08)	1	1	
50	AN960-8	.WASHER (REPLACED BY NAS1149FN832P)	2	1	
50	NAS1149FN832P	.WASHER (REPLACES AN960-8)	2		
51	MS27039-0812	.SCREW	1	1	
52	206-001-710-001	.CLAMP, FRICTION	1	1	
53	NAS1197-616	.WASHER	2	1	
54	MS20392-5C61	.PIN (REPLACED BY MS20392-5S61)	1		
54	MS20392-5S61	.PIN (REPLACES MS20392-5C61)	1		
55	MS17825-5	.NUT (REPLACED BY MS14144L5)	1		
55	MS14144L5	.NUT (REPLACES MS17825-5) (ALTERNATE PART)	1	1	
55	AN310-5	.NUT	1	1	
56	50Z12-11-2	.SPACER	1	1	
57	NAS1197-516	.WASHER	1	1	
58	AN175-20	.BOLT	1	1	
59	206-001-707-001	.BELLCRANK ASSY	1	1	
60	DW5	.BEARING (REPLACES MS27647-5) (ALTERNATE PART)	1	0	
60	20-082-5	.BEARING (REPLACED BY MS27647-5)	1		
60	MS27647-5	.BEARING (REPLACES DW5 AND 20-082-5)	1	1	
61	206-001-708-001	.SLEEVE	1	1	
62	MS17825-4	.NUT (REPLACED BY MS14144L4)	4	0	
62	MS14144L4	.NUT (REPLACES MS17825-4) (ALTERNATE PART)	4	1	
62	AN310-4	.NUT	4	1	
63	AN960PD416	.WASHER (REPLACED BY AN960JD416)	4		
63	AN960JD416	.WASHER (REPLACES AN960PD416) (REPLACED BY NAS1149D0463J)	4		
63	NAS1149D0463J	.WASHER (REPLACES AN960JD416)	4		
64	50Z12-9-2	.SPACER	4	1	
65	AN960-416	.WASHER (REPLACED BY NAS1149F0463P)	2	1	K
65	NAS1149F0463P	.WASHER (REPLACES AN960-416)	2		K
66	AN174-12	.BOLT	2	1	
67	AN174-12	.BOLT (USBL ON 206-001-008-001, -005, -007, -009, -011 AND -013)	2	1	E
67	NAS6204-15D	.BOLT (USBL ON 206-001-018-001, -003, -007 AND -101) (ALTERNATE PART)	2	6	K
67	20-057-4-15D	.BOLT (USBL ON 206-001-018-001, -003, -007 AND -101)	2	1	K
68	206-001-701-001	.LINK ASSY	2	1	
69	MS17825-4	.NUT (REPLACED BY MS14144L4)	1	0	
69	MS14144L4	.NUT (REPLACES MS17825-4)	1	1	
69	AN310-4	.NUT	1	1	
70	AN960PD416	.WASHER (REPLACED BY AN960JD416)	2		

(1) INDEX NUMBER	(2) PART NUMBER	(3) ITEM NAME	(4) UNIT PER ASSY	(5) A V A I L	(6) U O C
FIGURE: 67-1. Controls installation, anti-torque (Cont'd)					
70	AN960JD416	.WASHER (REPLACES AN960PD416) (REPLACED BY NAS1149D0463J)	2		
70	NAS1149D0463J	.WASHER (REPLACES AN960JD416)	2		
71	AN174-17	.BOLT	1	1	
72	206-001-702-001	.BELLCRANK ASSY (USBL ON 206-001-008-001 AND -005) (REPLACED BY 206-001-702-005)	1		A
72	206-001-702-005	.BELLCRANK ASSY (REPLACES 206-001-702-001)	1	1	
73	B5B6-16-23-16	..BUSHING	2		
74	DW4	..BEARING	1	1	
(ALTERNATE PARTS)					
74	20-082-4	..BEARING (REPLACED BY MS27647-4)	1	0	
74	DW4K	..BEARING (REPLACED BY MS27647-4)	1	0	
74	MS27647-4	..BEARING (REPLACES 20-082-4 AND DW4K)	1	1	
75	MS17825-4	.NUT (REPLACED BY MS14144L4)	1	0	
75	MS14144L4	.NUT (REPLACES MS17825-4)	1	1	
75	AN310-4	.NUT	1	1	
76	NAS1197-416	.WASHER	2	1	
77	500-25	.WASHER, BELLEVILLE (REPLACED BY B0500-025)	2		
77	B0500-025	.WASHER, BELLEVILLE (REPLACES 500-25)	2	1	
78	AN4-64	.BOLT	1	1	
79	206-001-709-001	.KNOB, PEDAL ADJUSTING	1	1	
80	206-001-706-003	.CLEVIS, PEDAL ADJUSTMENT	1	1	
81	MS17825-5	.NUT (REPLACED BY MS14144L5)	1		
81	MS14144L5	.NUT (REPLACES MS17825-5)	1	1	
(ALTERNATE PART)					
81	AN310-5	.NUT	1	1	
82	NAS1197-516	.WASHER	2	1	
83	AN175-46	.BOLT	1	1	
84	206-001-703-001	.PEDAL ASSY, RUDDER, LH	1	1	
84	206-001-703-002	.PEDAL ASSY, RUDDER, RH	1	1	
85	DW5	..BEARING (REPLACED BY MS27647-5)	1	0	
(ALTERNATE PART)					
85	20-082-5	.BEARING (REPLACED BY MS27647-5)	1		
85	MS27647-5	.BEARING (REPLACES DW5 AND 20-082-5)	1	1	
86	AN4-10A	.BOLT	3	1	
87	NAS1197-416	.WASHER	3	1	
88	206-001-713-001	.PEDAL SUPPORT (REPLACED BY 206-001-713-101)	1		
88	206-001-713-101	.PEDAL SUPPORT (REPLACES 206-001-713-001)	1	1	
89	206-001-725-001	..FILLER PAD	2	1	
90	1854	INSERT (REPLACED BY 80-007-16-4A)	6		
90	80-007-16-4A	INSERT (REPLACES 1854)	6	1	

(1) INDEX NUMBER	(2) PART NUMBER	(3) ITEM NAME	(4) UNIT PER ASSY	(5) A V A I L	(6) U O C																																				
		<p>FIGURE: 67-1. Controls installation, anti-torque (Cont'd)</p> <p style="text-align: center;">USABLE ON CODES</p> <table border="0" style="width: 100%;"> <thead> <tr> <th style="text-align: left;">CODE</th> <th style="text-align: left;">MODEL</th> <th style="text-align: left;">SERIAL NUMBER</th> </tr> </thead> <tbody> <tr><td>A</td><td>206A</td><td>4-71</td></tr> <tr><td>B</td><td>206A</td><td>4-103</td></tr> <tr><td>C</td><td>206A</td><td>4-303</td></tr> <tr><td>D</td><td>206A</td><td>4-413</td></tr> <tr><td>E</td><td>206A</td><td>4-497</td></tr> <tr><td>F</td><td>206A</td><td>414-497</td></tr> <tr><td>G</td><td>206A/B/BIII</td><td>104-4004</td></tr> <tr><td>H</td><td>206A/B/BIII</td><td>304-SUB</td></tr> <tr><td>J</td><td>206A/B/BIII</td><td>414-SUB</td></tr> <tr><td>K</td><td>206A/B/BIII</td><td>498-SUB</td></tr> <tr><td>L</td><td>206/BIII</td><td>4005-SUB</td></tr> </tbody> </table> <p>1) UNLESS A USABLE ON PART NUMBER IS LISTED IN THE ITEM NAME COLUMN; NO CODE INDICATES THE PART APPLIES TO ALL SERIAL NUMBERS.</p> <p>2) IF THE SERIAL NUMBER IS BLANK THE PART APPLIES TO ALL SERIAL NUMBERS FOR THAT MODEL.</p>	CODE	MODEL	SERIAL NUMBER	A	206A	4-71	B	206A	4-103	C	206A	4-303	D	206A	4-413	E	206A	4-497	F	206A	414-497	G	206A/B/BIII	104-4004	H	206A/B/BIII	304-SUB	J	206A/B/BIII	414-SUB	K	206A/B/BIII	498-SUB	L	206/BIII	4005-SUB			
CODE	MODEL	SERIAL NUMBER																																							
A	206A	4-71																																							
B	206A	4-103																																							
C	206A	4-303																																							
D	206A	4-413																																							
E	206A	4-497																																							
F	206A	414-497																																							
G	206A/B/BIII	104-4004																																							
H	206A/B/BIII	304-SUB																																							
J	206A/B/BIII	414-SUB																																							
K	206A/B/BIII	498-SUB																																							
L	206/BIII	4005-SUB																																							



206A/B/B3-67-1002-2
C0000

Figure 67-2. Controls installation, anti-torque (Sheet 2)

(1) INDEX NUMBER	(2) PART NUMBER	(3) ITEM NAME	(4) UNIT PER ASSY	(5) A V A I L	(6) U O C
		FIGURE: 67-2. Controls installation, anti-torque			
	206-001-008-001	CONTROLS INSTL, ANTI-TORQUE (SEE FIG. 1 FOR BALANCE OF BREAKDOWN)	REF		
	206-001-008-005	CONTROLS INSTL, ANTI-TORQUE (SEE FIG. 1 FOR BALANCE OF BREAKDOWN)	REF		
	206-001-008-007	CONTROLS INSTL, ANTI-TORQUE (SEE FIG. 1 FOR BALANCE OF BREAKDOWN)	REF		
	206-001-008-009	CONTROLS INSTL, ANTI-TORQUE (SEE FIG. 1 FOR BALANCE OF BREAKDOWN)	REF		
	206-001-008-011	CONTROLS INSTL, ANTI-TORQUE (SEE FIG. 1 FOR BALANCE OF BREAKDOWN)	REF		
	206-001-008-013	CONTROLS INSTL, ANTI-TORQUE (SEE FIG. 1 FOR BALANCE OF BREAKDOWN)	REF		
	206-001-018-001	CONTROLS INSTL, ANTI-TORQUE (SEE FIG. 1 FOR BALANCE OF BREAKDOWN)	REF		
	206-001-018-003	CONTROLS INSTL, ANTI-TORQUE (SEE FIG. 1 FOR BALANCE OF BREAKDOWN)	REF		
	206-001-018-007	CONTROLS INSTL, ANTI-TORQUE (SEE FIG. 1 FOR BALANCE OF BREAKDOWN)	REF		
	206-001-018-101	CONTROLS INSTL, ANTI-TORQUE (SEE FIG. 1 FOR BALANCE OF BREAKDOWN)	REF		
1	MS17825-4	.NUT (REPLACED BY MS14144L4)	2		
1	MS14144L4	.NUT (REPLACES MS17825-4) (ALTERNATE PART)	2		
1	AN310-4	.NUT	2		
2	50Z12-9-2	.SPACER	2		
3	AN960PD416	.WASHER (REPLACED BY AN960JD416)	2		
3	AN960JD416	.WASHER (REPLACES AN960PD416)	2		
4	AN174-12	.BOLT	2		
5	206-001-020-033	.TUBE ASSY, FIXED	1		
6	206-001-055-001	..BEARING	2		
7	MS17825-4	.NUT (REPLACED BY MS14144L4)	1		
7	MS14144L4	.NUT (REPLACES MS17825-4) (ALTERNATE PART)	1		
7	AN310-4	.NUT	1		
8	NAS1197-416	.WASHER	2		
9	AN174-20	.BOLT	1		
10	206-001-712-001	.BELLCRANK ASSY	1		
11	DW4	..BEARING (ALTERNATE PART)	1		
11	DW4K	..BEARING (REPLACED BY MS27647-4)	1		
11	MS27647-4	..BEARING (REPLACES DW4K)	1		
12	MS17825-4	.NUT (REPLACED BY MS14144L4)	1		
12	MS14144L4	.NUT (REPLACES MS17825-4) (ALTERNATE PART)	1		
12	AN310-4	.NUT	1		
13	50Z12-9-2	.SPACER	1		
14	AN960PD416	.WASHER (REPLACED BY AN960JD416)	2		
14	AN960JD416	.WASHER (REPLACES AN960PD416)	2		
15	AN174-12	.BOLT	2		
16	MS17825-4	.NUT (REPLACED BY MS14144L4)	1		

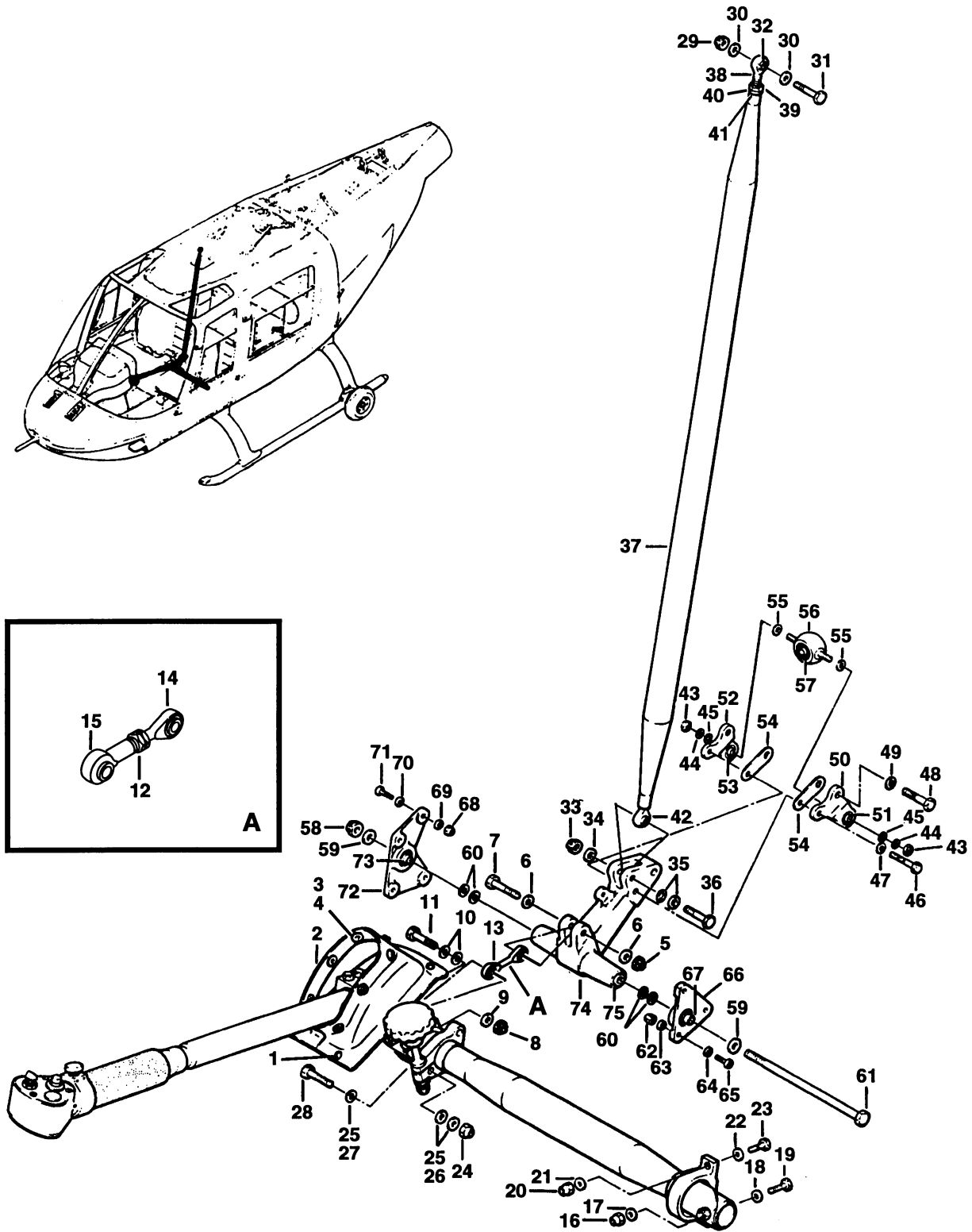
(1) INDEX NUMBER	(2) PART NUMBER	(3) ITEM NAME	(4) UNIT PER ASSY	(5) A V A I L	(6) U O C
FIGURE: 67-2. Controls installation, anti-torque (Cont'd)					
16	MS14144L4	.NUT (REPLACES MS17825-4) (ALTERNATE PART)	1		
16	AN310-4	.NUT	1		
17	NAS1197-416	.WASHER (USBL ON 206-001-008-001, -005, -007, -009, -011, -013)	2		C
17	AN960PD416	.WASHER (REPLACED BY AN960JD416) (USBL ON 206-001-018-001, -003, -007, -101)	2		K
17	AN960JD416	.WASHER (REPLACES AN960PD416) (USBL ON 206-001-018-001, -003, -007, -101)	2		K
18	AN174-13	.BOLT	1		
19	206-001-020-043	.TUBE ASSY (USBL ON 206-001-008-001, -005, -007, . . -009)	1		B
20	206-001-055-001	..BEARING	1		
21	206-001-020-045	..TUBE	1		
22	206-001-022-067	.TUBE ASSY, ADJUSTABLE (USBL ON 206-001-008-011, . -013) (REPLACED BY 206-001-096-049 AND -013)	1		FH
22	206-001-096-049	.TUBE ASSY, ADJUSTABLE (USBL ON 206-001-008-011, . -013, 206-001-018-001, -003, -007, -101) (REPLACES 206-001-022-067) (REPLACED BY 206-001-096-013)	1		FK
22	206-001-096-013	.TUBE ASSY, ADJUSTABLE (USBL ON 206-001-008-011, . -013, 206-001-018-001, -003, -007, -101) (REPLACES 206-001-022-067 AND 206-001-096-049)	1		FK
23	AN960PD616	..WASHER (REPLACED BY AN960JD616)	1		
23	AN960JD616	..WASHER (REPLACES AN960PD616)	1		
24	AN316-6R	..NUT	1		
25	206-001-052-001	..BEARING	1		
	206-001-022-069	..TUBE ASSY (USBL ON 206-001-022-067)	1		
	206-001-096-051	..TUBE ASSY (USBL ON 206-001-096-049)	1		
	206-001-096-015	..TUBE ASSY (USBL ON 206-001-096-013)	1		
26	209-001-053-001	..BEARING (USBL ON 206-001-096-015)	1		
26	206-001-055-001	..BEARING (USBL ON 206-001-022-069)	1		
27	214-001-024-001	..INSERT	1		
28	AN174H15A	.BOLT	1		
29	NAS1197-416	.WASHER	1		
30	206-001-735-001	.WALKING BEAM ASSY	1		
31	DW4	..BEARING (ALTERNATE PARTS)	1		
31	DW4K	..BEARING (REPLACED BY MS27647-4)	1		
31	20-082-4	..BEARING (REPLACED BY MS27647-4)	1		
31	MS27647-4	..BEARING (REPLACES DW4K AND 20-082-4)	1		
32	AN4-7A	.BOLT	4		
33	NAS1197-416	.WASHER	4		
34	206-001-734-001	.SUPPORT ASSY (REPLACED BY 206-001-734-101)	1		
34	206-001-734-101	.SUPPORT ASSY (REPLACES 206-001-734-001)	1		
35	MS21209F4-15	..INSERT	1		
36	MS17825-4	.NUT (REPLACED BY MS14144L4) (USBL ON 206-001-018-001, -003, -007, -101)	1		K
36	MS14144L4	.NUT (REPLACES MS17825-4) (USBL ON 206-001-018-001, -003, -007, -101)	1		K

(1) INDEX NUMBER	(2) PART NUMBER	(3) ITEM NAME	(4) UNIT PER ASSY	(5) A V A I L	(6) U O C
		FIGURE: 67-2. Controls installation, anti-torque (Cont'd)			
		(ALTERNATE PART)			
36	AN310-4	.NUT (USBL ON 206-001-018-018-001, -003, -007, . . . -101)	1		
37	AN960PD416	.WASHER (REPLACED BY AN960JD416) (USBL ON 206-001-018-001, -003, -007 AND -101)	2		K
37	AN960JD416	.WASHER (REPLACES AN960PD416) (USBL ON 206-001-018-001, -003, -007 AND -101)	2		K
38	AN174-13	.BOLT (USBL ON 206-001-018-001, -003, -007 AND . . . -101)	1		K
39	MS17825-4	.NUT (REPLACED BY MS14144L4)	1		
39	MS14144L4	.NUT (REPLACES MS17825-4)	1		
		(ALTERNATE PART)			
39	AN310-4	.NUT	1		
40	50Z12-9-2	.SPACER	1		
41	AN960PD416	.WASHER (REPLACED BY AN960JD416)	1		
41	AN960JD416	.WASHER (REPLACES AN960PD416)	1		
42	AN174-12	.BOLT (USBL ON 206-001-008-001, -005, -007, -009, -011 AND -013)	1		C
42	AN174-13	.BOLT (USBL ON 206-001-018-001, -003, -007 AND . . . -101)	1		K
43	206-001-741-001	.TUBE ASSY (USBL ON 206-001-008-001, -005, -007 . . . AND -009)	1		B
44	AN316-6R	.NUT	1		
45	AN960PD616	.WASHER (REPLACED BY AN960JD616)	1		
45	AN960JD616	.WASHER (REPLACES AN960PD616)	1		
46	206-001-052-001	.BEARING	1		
47	206-001-741-003	.TUBE	1		
48	206-001-055-001	.BEARING	1		
49	206-001-020-063	.TUBE ASSY (USBL ON 206-001-008-011 AND -013)	1		F
50	206-001-055-001	.BEARING	1		
51	206-001-020-065	.TUBE	1		
52	206-001-032-001	.TUBE ASSY (USBL ON 206-001-018-001, -003, -007 . . . AND -101)	1		K
53	047-729-155-003	.BEARING	2		
54	NAS679A4	.NUT (REPLACED BY MS21042L4) (USBL ON 206-001-008-001, -005, -007, -009, -011 AND -013)	1		C
54	MS21042L4	.NUT (REPLACES NAS679A4) (USBL ON 206-001-008-001, -005, -007, -009, -011 AND -013)	1		C
55	AN960PD416	.WASHER (REPLACED BY AN960JD416)	2		
55	AN960JD416	.WASHER (REPLACES AN960PD416)	2		
56	AN4-41A	.BOLT	1		
57	50Z12-9-20	.SPACER	1		
58	NAS679A4	.NUT (REPLACED BY MS21042L4)	2		
58	MS21042L4	.NUT (REPLACES NAS679A4)	2		
59	AN960PD416	.WASHER (REPLACED BY AN960JD416)	4		
59	AN960JD416	.WASHER (REPLACES AN960PD416)	4		
60	AN4-41A	.BOLT	2		
61	DELETED			

(1) INDEX NUMBER	(2) PART NUMBER	(3) ITEM NAME	(4) UNIT PER ASSY	(5) A V A I L	(6) U O C
FIGURE: 67-2. Controls Installation, anti-torque (Cont'd)					
62	MS17825-4	.NUT (REPLACED BY MS14144L4) (USBL ON 206-001-018-001, -003, -007 AND -101)	1		K
62	MS14144L4	.NUT (REPLACES MS17825-4) (USBL ON 206-001-018-001, -003, -007 AND -101) (ALTERNATE PART)	1		K
62	AN310-4	.NUT (USBL ON 206-001-018-001, -003, -007 AND -101)	1		
63	AN960PD416	.WASHER (REPLACED BY AN960JD416) (USBL ON 206-001-018-001, -003, -007 AND -101)	2		K
63	AN960JD416	.WASHER (REPLACES AN960PD416) (USBL ON 206-001-018-001, -003, -007 AND -101)	2		K
64	120-034E32-8	.SHIM (USBL ON 206-001-018-001, -003, -007 AND . . . -101)	2		K
65	AN174-44	.BOLT (USBL ON 206-001-018-001, -003, -007 AND . . . -101)	1		K
66	206-001-746-009	.IDLER ASSY (USBL ON 206-001-018-001, -003, -007 . . AND -101)	1		K
67	NAS43HT4-182	..SPACER	1		
68	MS20201KP4A	..BEARING (REPLACED BY MS27641-4)	1		
68	MS27641-4	..BEARING (REPLACES MS20201KP4A)	1		
	206-001-746-005	..IDLER ASSY	1		
69	MS20201KP4A	..BEARING (REPLACED BY MS27641-4)	1		
69	MS27641-4	..BEARING (REPLACES MS20201KP4A)	1		
70	MS17825-4	.NUT (REPLACED BY MS14144L4)	2		
70	MS14144L4	.NUT (REPLACES MS17825-4) (ALTERNATE PART)	2		
70	AN310-4	.NUT	2		
71	AN960PD416	.WASHER (REPLACED BY AN960JD416)	2		
71	AN960JD416	.WASHER (REPLACES AN960PD416)	2		
72	50Z12-9-2	.SPACER	2		
73	AN174-12	.BOLT	1		
74	AN174-12	.BOLT (USBL ON 206-001-008-001, -005, -007, -009, -011 AND -013)	1		C
74	AN174-13	.BOLT (USBL ON 206-001-018-001, -003, -007 AND . . . -101)	1		K
75	206-001-021-009	.TUBE ASSY (USBL ON 206-001-008-001, -005, -007, . . -009, -011 AND -013)	1		C
76	206-001-055-001	..BEARING	2		
77	206-001-021-017	.TUBE ASSY, FIXED (USBL ON 206-001-018-001 AND . . . -003) (REPLACED BY 206-001-059-001)	1		J
78	206-001-055-001	..BEARING (USBL ON 206-001-021-017)	2		
79	206-001-059-001	.TUBE ASSY, FIXED (REPLACES 206-001-021-017) (REPLACED BY 206-001-059-101)	1		
79	206-001-059-101	.TUBE ASSY (REPLACES 206-001-059-001)	1		
80	206-001-055-001	..BEARING (USBL ON 206-001-756-101)	1		
81	120-110-2A10	..SLEEVE (USBL ON 206-001-059-001)	10		
81	120-110-2A10W	..STRIP (USBL ON 206-001-059-101)	10		
	206-001-059-003	..TUBE ASSY (USBL ON 206-001-059-001)	1		
82	206-001-055-001	..BEARING	2		
83	MS17825-4	.NUT (REPLACED BY MS14144L4)	1		

(1) INDEX NUMBER	(2) PART NUMBER	(3) ITEM NAME	(4) UNIT PER ASSY	(5) A V A I L	(6) U O C
FIGURE: 67-2. Controls installation, anti-torque (Cont'd)					
83	MS14144L4	.NUT (REPLACES MS17825-4) (ALTERNATE PART)	1		
83	AN310-4	.NUT	1		
84	AN960PD416	.WASHER (REPLACED BY AN960JD416)	2		
84	AN960JD416	.WASHER (REPLACES AN960PD416)	2		
85	AN174-14	.BOLT	1		
86	206-001-729-001	.WALKING BEAM ASSY	1		
87	DW4	..BEARING (ALTERNATE PARTS)	1		
87	DW4K	..BEARING (REPLACED BY MS27647-4)	1		
87	20-082-4	..BEARING (REPLACED BY MS27647-4)	1		
87	MS27647-4	..BEARING (REPLACES DW4K AND 20-082-4)	1		
88	MS17825-4	.NUT (REPLACED BY MS14144L4)	1		
88	MS14144L4	.NUT (REPLACES MS17825-4) (ALTERNATE PART)	1		
88	AN310-4	.NUT	1		
89	AN960PD416	.WASHER (REPLACED BY AN960JD416)	2		
89	AN960JD416	.WASHER (REPLACES AN960PD416)	2		
90	AN174-15	.BOLT	1		
91	206-001-756-001	.BELLCRANK ASSY (USBL ON 206-001-018-001 AND -003) (REPLACED BY 206-001-756-005 AND -009)	1		J
91	206-001-756-005	.BELLCRANK ASSY (USBL ON 206-001-018-001 AND -003) (REPLACES 206-001-756-001) (REPLACED BY 206-001-756-009)	1		J
91	206-001-756-009	.BELLCRANK ASSY (USBL ON 206-001-018-001, -003, .. -007 AND -101) (REPLACES 206-001-756-001 AND -005)	1		K
92	206-001-055-001	..BEARING (USBL ON 206-001-756-001)	1		
93	120-015-4KA	..SLEEVE (USBL ON 206-001-756-005 AND -009)	1		
94	21-005C7.5-9.5	..BUSHING (USBL ON 206-001-756-009)	2		
95	MS27647-4	..BEARING (USBL ON 206-001-756-005 AND -009) (ALTERNATE PART)	1		
95	20-082-4	..BEARING (REPLACED BY MS27647-4)	1		
95	MS27647-4	..BEARING (REPLACES 20-082-4)	1		
96	NAS679A4	NUT (REPLACED BY MS21042L4)	4		
96	MS21042L4	NUT (REPLACES NAS679A4)	4		

(1) INDEX NUMBER	(2) PART NUMBER	(3) ITEM NAME	(4) UNIT PER ASSY	(5) A V A I L	(6) U O C																																	
		<p>FIGURE: 67-2. Controls installation, anti-torque (Cont'd)</p> <p style="text-align: center;">USABLE ON CODES</p> <table border="0" style="margin-left: auto; margin-right: auto;"> <thead> <tr> <th style="text-align: left;">CODE</th> <th style="text-align: left;">MODEL</th> <th style="text-align: left;">SERIAL NUMBER</th> </tr> </thead> <tbody> <tr><td>A</td><td>206A</td><td>4-53</td></tr> <tr><td>B</td><td>206A</td><td>4-303</td></tr> <tr><td>C</td><td>206A</td><td>4-497</td></tr> <tr><td>D</td><td>206A</td><td>54-253</td></tr> <tr><td>E</td><td>206A</td><td>254-439</td></tr> <tr><td>F</td><td>206A</td><td>304-497</td></tr> <tr><td>G</td><td>206A</td><td>440-4974</td></tr> <tr><td>H</td><td>206A/B</td><td>498-1662</td></tr> <tr><td>J</td><td>206A/B/BIII</td><td>498-2488</td></tr> <tr><td>K</td><td>206A/B/BIII</td><td>498-SUB</td></tr> </tbody> </table> <p>1) UNLESS A USABLE ON PART NUMBER IS LISTED IN THE ITEM NAME COLUMN; NO CODE INDICATES THE PART APPLIES TO ALL SERIAL NUMBERS.</p> <p>2) IF THE SERIAL NUMBER IS BLANK THE PART APPLIES TO ALL SERIAL NUMBERS FOR THAT MODEL.</p>	CODE	MODEL	SERIAL NUMBER	A	206A	4-53	B	206A	4-303	C	206A	4-497	D	206A	54-253	E	206A	254-439	F	206A	304-497	G	206A	440-4974	H	206A/B	498-1662	J	206A/B/BIII	498-2488	K	206A/B/BIII	498-SUB			
CODE	MODEL	SERIAL NUMBER																																				
A	206A	4-53																																				
B	206A	4-303																																				
C	206A	4-497																																				
D	206A	54-253																																				
E	206A	254-439																																				
F	206A	304-497																																				
G	206A	440-4974																																				
H	206A/B	498-1662																																				
J	206A/B/BIII	498-2488																																				
K	206A/B/BIII	498-SUB																																				



206A/B/B3-67-1003
C0001

Figure 67-3. Controls installation, collective pitch

(1) INDEX NUMBER	(2) PART NUMBER	(3) ITEM NAME	(4) UNIT PER ASSY	(5) A V A I L	(6) U O C
		FIGURE: 67-3. Controls installation, collective pitch			
	206-001-010-001	CONTROLS INSTL, COLLECTIVE PITCH	1		
	206-001-010-005	CONTROLS INSTL, COLLECTIVE PITCH	1		
	206-001-010-007	CONTROLS INSTL, COLLECTIVE PITCH	1		
	206-001-010-009	CONTROLS INSTL, COLLECTIVE PITCH	1		
	206-001-010-011	CONTROLS INSTL, COLLECTIVE PITCH	1		
	206-001-010-013	CONTROLS INSTL, COLLECTIVE PITCH	1		
	206-001-010-017	CONTROLS INSTL, COLLECTIVE PITCH	1		
	206-001-010-101	CONTROLS INSTL, COLLECTIVE PITCH	1		
	206-001-010-105	CONTROLS INSTL, COLLECTIVE PITCH	1		
	206-001-010-109	CONTROLS INSTL, COLLECTIVE PITCH	1		
	206-001-010-119	CONTROLS INSTL, COLLECTIVE PITCH	1		
1	AN525-832R7	.SCREW	4	1	BGJ
1	MS27039-0807	.SCREW	4	1	HTZ
2	206-001-040-001	.COVER ASSY, PILOTS COLLECTIVE (REPLACED BY 206-072-512-001)	1		N
2	206-072-512-001	.COVER ASSY, PILOTS COLLECTIVE (REPLACES 206-001-040-001)	1	1	Q
3	AN227-13B	..STUD (USBL ON 206-001-040-001) (REPLACED BY MS27981-4B)	8		
3	MS27981-4B	..STUD (REPLACES AN227-13B)	8	1	
4	AN227-14B	..EYELET (USBL ON 206-001-040-001) (REPLACED BY MS27981-5B)	8		
4	MS27981-5B	..EYELET (REPLACES AN227-14B)	8	1	
5	MS17825-4	.NUT (REPLACED BY MS14144L4)	1	0	
5	MS14144L4	.NUT (REPLACES MS17825-4)	1	1	
6	AN960PD416	.WASHER (REPLACED BY AN960JD416)	2		
6	AN960JD416	.WASHER (REPLACES AN960PD416) (REPLACED BY NAS1149D0463J)	2		
6	NAS1149D0463J	.WASHER (REPLACES AN960JD416)	2		
7	AN174-15	.BOLT	1	1	
8	MS17826-4	.NUT (REPLACED BY MS14145L4)	1		
8	MS14145L4	.NUT (REPLACES MS17826-4)	1	1	
9	AN960PD416L	.WASHER (REPLACED BY AN960JD416L)	1		
9	AN960JD416L	.WASHER (REPLACES AN960PD416L) (REPLACED BY NAS1149D0416J)	1	1	
9	NAS1149D0416J	.WASHER (REPLACES AN960JD416L)	1	1	
10	AN960PD416	.WASHER (REPLACED BY AN960JD416)	2		
10	AN960JD416	.WASHER (REPLACES AN960PD416) (REPLACED BY NAS1149D0463J)	2		
10	NAS1149D0463J	.WASHER (REPLACES AN960JD416)	2		
11	AN174-14	.BOLT	1	1	
12	206-001-159-005	.LINK ASSY, COLLECTIVE PITCH (REPLACED BY 206-001-159-007 AND 206-001-204-001)	1		LX
12	206-001-159-007	.LINK ASSY, COLLECTIVE PITCH (REPLACES 206-001-159-005) (REPLACED BY 206-001-204-001)	1		BPW
13	206-001-204-001	.LINK ASSY, COLLECTIVE PITCH (REPLACES 206-001-159-005 AND -007)	1	1	
14	REF4TH	..BEARING, LINK (USBL ON 206-001-159-005) (REPLACED BY 206-001-201-001)	1	0	

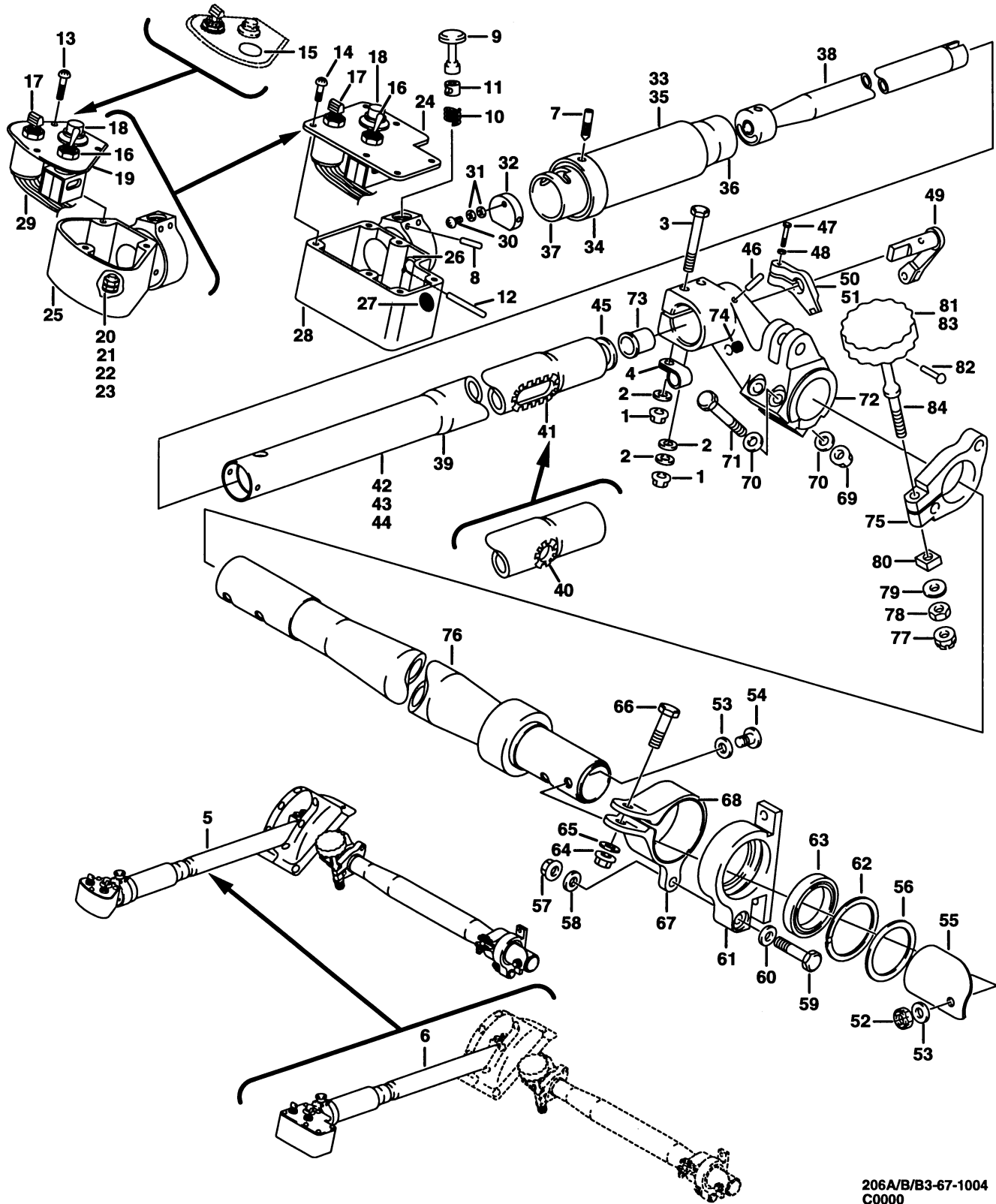
(1) INDEX NUMBER	(2) PART NUMBER	(3) ITEM NAME	(4) UNIT PER ASSY	(5) A V A I L	(6) U O C
		FIGURE: 67-3. Controls installation, collective pitch (Cont'd)			
14	206-001-201-001	. . BEARING, LINK (USBL ON 206-001-159-005 AND -007) (REPLACES REF4TH)	1		
15	REM4TH	. . BEARING, LINK (USBL ON 206-001-159-005) (REPLACED BY 206-001-202-001)	1		
15	206-001-202-001	. . BEARING, LINK (USBL ON 206-001-159-005 AND -007) (REPLACES REM4TH)	1	6	
16	MS21042L4	.NUT	1	1	
17	NAS1197-416	.WASHER	1	1	
18	AN960PD416	.WASHER (REPLACED BY AN960JD416)	1		
18	AN960JD416	.WASHER (REPLACES AN960PD416) (REPLACED BY NAS1149D0463J)	1		
18	NAS1149D0463J	.WASHER (REPLACES AN960JD416)	1		
19	AN4-10A	.BOLT	1	1	
20	NAS679A4	.NUT (REPLACED BY MS21042L4)	1	0	
20	MS21042L4	.NUT (REPLACES NAS679A4)	1	1	
21	NAS1197-416	.WASHER	1	1	
22	AN960PD416	.WASHER (REPLACED BY AN960JD416)	1		AC
22	AN960JD416	.WASHER (REPLACES AN960PD416) (REPLACED BY NAS1149D0463J)	1		AC
22	NAS1149D0463J	.WASHER (REPLACES AN960JD416)	1		AC
22	AN960PD416L	.WASHER (REPLACED BY AN960JD416L)	1		EFS
22	AN960JD416L	.WASHER (REPLACES AN960PD416L) (REPLACED BY NAS1149D0416J)	1	1	EFS
22	NAS1149D0416J	.WASHER (REPLACES AN960JD416L)	1	1	EFS
23	AN4-7A	.BOLT	1	1	AC
23	AN4-6A	.BOLT	1	1	EFS
24	MS17825-4	.NUT (REPLACED BY MS14144L4)	2	0	BPW
24	MS14144L4	.NUT (REPLACES MS17825-4)	2	1	BPW
25	NAS1197-416	.WASHER	6	1	BPW
26	NAS1197-416L	.WASHER	4	1	XY
27	NAS1197-416	.WASHER	2	1	XY
28	AN4-13A	.BOLT (REPLACED BY AN4-13)	2	1	BGJ
28	AN4-13	.BOLT (REPLACES AN4-13A)	2	1	BPW
28	AN4-12	.BOLT	2	1	XY
29	MS17825-4	.NUT (REPLACED BY MS14144L4)	1	0	
29	MS14144L4	.NUT (REPLACES MS17825-4)	1	1	
30	NAS1197-416	.WASHER	2	1	BPW
31	AN174-14	.BOLT	1	1	
32	21-025-19	.BUSHING	1	1	XY
33	MS17825-4	.NUT (REPLACED BY MS14144L4)	1	0	
33	MS14144L4	.NUT (REPLACES MS17825-4)	1	1	
34	AN960PD416L	.WASHER (REPLACED BY AN960JD416L)	1		
34	AN960JD416L	.WASHER (REPLACES AN960PD416L) (REPLACED BY NAS1149D0416J)	1	1	
34	NAS1149D0416J	.WASHER (REPLACES AN960JD416L)	1	1	
35	AN960PD416	.WASHER (REPLACED BY AN960JD416)	2		
35	AN960JD416	.WASHER (REPLACES AN960PD416) (REPLACED BY NAS1149D0463J)	2		
35	NAS1149D0463J	.WASHER (REPLACES AN960JD416)	2		

(1) INDEX NUMBER	(2) PART NUMBER	(3) ITEM NAME	(4) UNIT PER ASSY	(5) A V A I L	(6) U O C
		FIGURE: 67-3. Controls installation, collective pitch (Cont'd)			
36	AN174-15	. BOLT	1	1	
37	206-001-022-049	. TUBE ASSY, ADJUSTABLE FLIGHT CONTROLS (REPLACED . BY 206-001-096-007)	1		K
37	206-001-096-043	. TUBE ASSY, ADJUSTABLE FLIGHT CONTROLS (REPLACED . BY 206-001-096-007)	1	0	V
37	206-001-096-007	. TUBE ASSY, ADJUSTABLE FLIGHT CONTROLS (REPLACES . 206-001-022-049 AND 206-001-096-043)	1	1	
38	206-001-052-001	. . BEARING	1	1	
39	AN316-6R	. . NUT	1	1	
40	AN960PD616	. . WASHER (REPLACED BY AN960JD616)	1		
40	AN960JD616	. . WASHER (REPLACES AN960PD616) (REPLACED BY NAS1149D0663J)	1		
40	NAS1149D0663J	. . WASHER (REPLACES AN960JD616)	1		
	206-001-096-045	. . TUBE ASSY (USBL ON 206-001-096-043)	1		
	206-001-096-009	. . TUBE ASSY (USBL ON 206-001-096-007)	1	6	
41	214-001-024-001	. . INSERT	1	1	
42	206-001-055-001	. . BEARING (USBL ON 206-001-096-045)	1	1	
42	209-001-053-001	. . BEARING (USBL ON 206-001-096-009)	1	1	
	206-001-373-001	. TRUNNION/LEVER ASSY	1	0	B
	206-001-373-003	. TRUNNION/LEVER ASSY	1	0	GJ
	206-001-373-005	. TRUNNION/LEVER ASSY	1	0	HTZ
43	AN320-4	. . NUT	2	1	
44	AN960-416L	. . WASHER (REPLACED BY NAS1149F0432P)	2	1	
44	NAS1149F0432P	. . WASHER (REPLACES AN960-416L)	2		
45	AN960-416	. . WASHER (REPLACED BY NAS1149F0463P)	2	1	
45	NAS1149F0463P	. . WASHER (REPLACES AN960-416)	2		
46	AN174H15A	. . BOLT	1	1	
47	AN960PD416	. . WASHER (REPLACED BY AN960JD416)	1		
47	AN960JD416	. . WASHER (REPLACES AN960PD416) (REPLACED BY NAS1149D0463J)	1		
47	NAS1149D0463J	. . WASHER (REPLACES AN960JD416)	1		
48	AN175H15A	. . BOLT	1	1	
49	AN960PD516	. . WASHER (REPLACED BY AN960JD516)	1		
49	AN960JD516	. . WASHER (REPLACES AN960PD516) (REPLACED BY NAS1149D0563J)	1	1	
49	NAS1149D0563J	. . WASHER (REPLACES AN960JD516)	1	1	
50	206-001-157-005	. . PLATE ASSY, TRUNNION BEARING (NOTE 1) (USBL ON . . 206-001-373-001) (REPLACED BY 206-001-185-005 AND 206-001-188-001)	1	0	B
50	206-001-185-005	. . PLATE ASSY, TRUNNION BEARING (NOTE 1) (REPLACES 206-001-157-005) (REPLACED BY 206-001-188-001)	1		BGJ
50	206-001-188-001	. . PLATE ASSY, TRUNNION BEARING (NOTE 1) (REPLACES 206-001-157-005 AND 206-001-185-005)	1	1	
51	MS20201KP4A	. . BEARING (REPLACED BY MS27641-4)	1	0	
51	MS27641-4	. . BEARING (REPLACES MS20201KP4A)	1	1	

(1) INDEX NUMBER	(2) PART NUMBER	(3) ITEM NAME	(4) UNIT PER ASSY	(5) A V A I L	(6) U O C
		FIGURE: 67-3. Controls installation, collective pitch (Cont'd)			
52	206-001-157-001	..PLATE ASSY, TRUNNION BEARING (NOTE 1) (USBL ON . . 206-001-373-001) (REPLACED BY 206-001-185-001)	1	0	B
52	206-001-185-001	..PLATE ASSY, TRUNNION BEARING (NOTE 1) (REPLACES 206-001-157-001)	1	1	
53	MS20201KP4A	...BEARING (REPLACED BY MS27641-4)	1	0	
53	MS27641-4	...BEARING (REPLACES MS20201KP4A)	1	1	
54	206-001-374-001	..SHIM	2	1	
55	AN960-416L	..WASHER (REPLACED BY NAS1149F0432P)	2	1	
55	NAS1149F0432P	..WASHER (REPLACES AN960-416L)	2		
56	206-001-364-001	..TRUNNION ASSY, CYCLIC CONTROLS	1	1	
57	DW5	...BEARING (ALTERNATE PART)	1	0	
57	20-082-5	...BEARING	1		
57	MS27647-5	...BEARING (REPLACES DW5 AND 20-082-5)	1	1	
58	MS17825-5	.NUT (REPLACED BY MS14144L5)	1		
58	MS14144L5	.NUT (REPLACES MS17825-5)	1	1	
59	AN960PD516	.WASHER (REPLACED BY AN960JD516)	2		
59	AN960JD516	.WASHER (REPLACES AN960PD516) (REPLACED BY NAS1149D0563J)	2	1	
59	NAS1149D0563J	.WASHER (REPLACES AN960JD516)	2	1	
60	AN960C516L	.WASHER (REPLACED BY NAS1149C0532R)	4	1	FS
60	NAS1149C0532R	.WASHER (REPLACES AN960C516L)	4		FS
61	AN175-71	.BOLT	1	1	
62	MS21042L3	.NUT	3	1	
63	NAS1197-10	.WASHER	3	1	
64	AN960PD10	.WASHER (REPLACED BY AN960JD10)	3		
64	AN960JD10	.WASHER (REPLACES AN960PD10) (REPLACED BY NAS1149D0363J)	3		
64	NAS1149D0363J	.WASHER (REPLACES AN960JD10)	3		
65	MS27039-1-12	.SCREW	3	1	M
65	NAS1303-5	.BOLT (REPLACES MS27039-1-12) (REPLACED BY NAS6603-5)	3		
65	NAS6603-5	.BOLT (REPLACES MS27039-1-12 AND NAS1303-5)	3	1	
66	206-001-139-001	.SUPPORT ASSY, LEVER, COLLECTIVE PITCH, LH	1	1	
67	206-001-053-003	..BEARING (ALTERNATE PART)	1	0	
67	206-001-053-005	..BEARING	1	1	
68	NAS679A3	.NUT (REPLACED BY MS21042L3)	4		BGJ
68	MS21042L3	.NUT (REPLACES NAS697A3)	4	1	
69	NAS1197-10	.WASHER	4	1	
70	AN960PD10	.WASHER (REPLACED BY AN960JD10)	4		
70	AN960JD10	.WASHER (REPLACES AN960PD10) (REPLACED BY NAS1149D0363J)	4		
70	NAS1149D0363J	.WASHER (REPLACES AN960JD10)	4		
71	MS27039-1-12	.SCREW (REPLACED BY NAS1303-5 AND NAS6603-5)	4	1	M
71	NAS1303-5	.BOLT (REPLACES MS27039-1-12) (REPLACED BY NAS6603-5)	4		
71	NAS6603-5	.BOLT (REPLACES MS27039-1-12 AND NAS1303-5)	4	1	

(1) INDEX NUMBER	(2) PART NUMBER	(3) ITEM NAME	(4) UNIT PER ASSY	(5) A V A I L	(6) U O C
		FIGURE: 67-3. Controls installation, collective pitch (Cont'd)			
72	206-001-140-001	.SUPPORT ASSY, LEVER, COLLECTIVE PITCH, RH	1	1	
73	206-001-053-003	..BEARING (ALTERNATE PART)	1	0	
73	206-001-053-005	..BEARING	1	1	
74	206-001-155-001	..LEVER ASSY, COLLECTIVE PITCH SYSTEM	1	1	
75	22-007-19-32-18	...BUSHING	2	1	
	206-001-115-015	.JACKSHAFT ASSY, COLLECTIVE PITCH (SEE FIG. 4 FOR . BREAKDOWN)	1		A
	206-001-115-023	.JACKSHAFT ASSY, COLLECTIVE PITCH (SEE FIG. 4 FOR . BREAKDOWN)	1		C
	206-001-115-025	.JACKSHAFT ASSY, COLLECTIVE PITCH (SEE FIG. 4 FOR . BREAKDOWN)	1		E
	206-001-115-029	.JACKSHAFT ASSY, COLLECTIVE PITCH (SEE FIG. 4 FOR . BREAKDOWN)	1		F
	206-001-115-031	.JACKSHAFT ASSY, COLLECTIVE PITCH (SEE FIG. 4 FOR . BREAKDOWN) (REPLACED BY 206-001-115-101 AND -113)	1		QWX
	206-001-115-101	.JACKSHAFT ASSY, COLLECTIVE PITCH (SEE FIG. 4 FOR . BREAKDOWN) (REPLACES 206-001-115-031) (REPLACED BY 206-001-115-113)	1	6	T
	206-001-115-113	.JACKSHAFT ASSY, COLLECTIVE PITCH (SEE FIG. 4 FOR . BREAKDOWN) (REPLACES 206-001-115-031 AND -101)	1		RZ
		NOTE 1: FOR SPARES REPLACEMENT USE 206-001-185-005 AND 206-001-185-001 AS A PAIR OR USE 206-001-188-001 AND 206-001-185-001 AS A PAIR.			

(1) INDEX NUMBER	(2) PART NUMBER	(3) ITEM NAME	(4) UNIT PER ASSY	(5) A V A I L	(6) U O C																																																																											
		<p>FIGURE: 67-3. Controls installation, collective pitch (Cont'd)</p> <p style="text-align: center;">USABLE ON CODES</p> <table border="0" style="width: 100%;"> <thead> <tr> <th style="text-align: left;">CODE</th> <th style="text-align: left;">MODEL</th> <th style="text-align: left;">SERIAL NUMBER</th> </tr> </thead> <tbody> <tr><td>A</td><td>206A</td><td>4-103</td></tr> <tr><td>B</td><td>206A</td><td>4-583</td></tr> <tr><td>C</td><td>206A</td><td>104-203</td></tr> <tr><td>D</td><td>206A</td><td>104-583</td></tr> <tr><td>E</td><td>206A</td><td>204-414</td></tr> <tr><td>F</td><td>206A</td><td>414-583</td></tr> <tr><td>G</td><td>206A</td><td>584-660</td></tr> <tr><td>H</td><td>206A/B</td><td>661-671</td></tr> <tr><td>J</td><td>206A/B</td><td>672-730</td></tr> <tr><td>K</td><td>206A/B</td><td>4-1662</td></tr> <tr><td>L</td><td>206A/B</td><td>4-1774</td></tr> <tr><td>M</td><td>206A/B</td><td>4-2179</td></tr> <tr><td>N</td><td>206A/B/BIII</td><td>584-2291</td></tr> <tr><td>P</td><td>206A/B/BIII</td><td>584-2363</td></tr> <tr><td>Q</td><td>206A/B/BIII</td><td>584-3566</td></tr> <tr><td>R</td><td>206A/B/BIII</td><td>584-4310</td></tr> <tr><td>S</td><td>206B/BIII</td><td>584-SUB</td></tr> <tr><td>T</td><td>206B/BIII</td><td>731-3566</td></tr> <tr><td>U</td><td>206B/BIII</td><td>1663-1813</td></tr> <tr><td>V</td><td>206B/BIII</td><td>1663-3341</td></tr> <tr><td>W</td><td>206BIII</td><td>2364-2622</td></tr> <tr><td>X</td><td>206BIII</td><td>2623-3341</td></tr> <tr><td>Y</td><td>206BIII</td><td>3342-SUB</td></tr> <tr><td>Z</td><td>206BIII</td><td>3567-SUB</td></tr> </tbody> </table> <p>1) UNLESS A USABLE ON PART NUMBER IS LISTED IN THE ITEM NAME COLUMN; NO CODE INDICATES THE PART APPLIES TO ALL SERIAL NUMBERS.</p> <p>2) IF THE SERIAL NUMBER IS BLANK THE PART APPLIES TO ALL SERIAL NUMBERS FOR THAT MODEL.</p>	CODE	MODEL	SERIAL NUMBER	A	206A	4-103	B	206A	4-583	C	206A	104-203	D	206A	104-583	E	206A	204-414	F	206A	414-583	G	206A	584-660	H	206A/B	661-671	J	206A/B	672-730	K	206A/B	4-1662	L	206A/B	4-1774	M	206A/B	4-2179	N	206A/B/BIII	584-2291	P	206A/B/BIII	584-2363	Q	206A/B/BIII	584-3566	R	206A/B/BIII	584-4310	S	206B/BIII	584-SUB	T	206B/BIII	731-3566	U	206B/BIII	1663-1813	V	206B/BIII	1663-3341	W	206BIII	2364-2622	X	206BIII	2623-3341	Y	206BIII	3342-SUB	Z	206BIII	3567-SUB			
CODE	MODEL	SERIAL NUMBER																																																																														
A	206A	4-103																																																																														
B	206A	4-583																																																																														
C	206A	104-203																																																																														
D	206A	104-583																																																																														
E	206A	204-414																																																																														
F	206A	414-583																																																																														
G	206A	584-660																																																																														
H	206A/B	661-671																																																																														
J	206A/B	672-730																																																																														
K	206A/B	4-1662																																																																														
L	206A/B	4-1774																																																																														
M	206A/B	4-2179																																																																														
N	206A/B/BIII	584-2291																																																																														
P	206A/B/BIII	584-2363																																																																														
Q	206A/B/BIII	584-3566																																																																														
R	206A/B/BIII	584-4310																																																																														
S	206B/BIII	584-SUB																																																																														
T	206B/BIII	731-3566																																																																														
U	206B/BIII	1663-1813																																																																														
V	206B/BIII	1663-3341																																																																														
W	206BIII	2364-2622																																																																														
X	206BIII	2623-3341																																																																														
Y	206BIII	3342-SUB																																																																														
Z	206BIII	3567-SUB																																																																														



206A/B/B3-67-1004
C0000

Figure 67-4. Jackshaft assembly

(1) INDEX NUMBER	(2) PART NUMBER	(3) ITEM NAME	(4) UNIT PER ASSY	(5) A V A I L	(6) U O C
		FIGURE: 67-4. Jackshaft assembly			
	206-001-115-015	JACKSHAFT ASSY (SEE FIG. 3 FOR NHA)	REF		A
	206-001-115-023	JACKSHAFT ASSY (SEE FIG. 3 FOR NHA)	REF		C
	206-001-115-025	JACKSHAFT ASSY (SEE FIG. 3 FOR NHA)	REF		D
	206-001-115-029	JACKSHAFT ASSY (SEE FIG. 3 FOR NHA)	REF		E
	206-001-115-031	JACKSHAFT ASSY (SEE FIG. 3 FOR NHA) (REPLACED BY 206-001-115-101 AND -113)	REF		P
	206-001-115-101	JACKSHAFT ASSY (SEE FIG. 3 FOR NHA) (REPLACES 206-001-115-031) (REPLACED BY 206-001-115-113)	REF		PU
	206-001-115-113	JACKSHAFT ASSY (SEE FIG. 3 FOR NHA) (REPLACES 206-001-115-031 AND -101)	REF		PVW
1	NAS679A4	.NUT (REPLACED BY MS21042L4)	2		
1	MS21042L4	.NUT (REPLACES NAS679A4)	2		
2	AN960PD416	.WASHER (REPLACED BY AN960JD416)	3		
2	AN960JD416	.WASHER (REPLACES AN960PD416)	3		
3	AN4-17A	.BOLT	2		
4	TA724WTD4V	.CLAMP (REPLACED BY TA724WTD04V)	1		
4	TA724WTD04V	.CLAMP (REPLACES TA724WTD4V)	1		
5	206-001-143-001	.STICK ASSY, COLLECTIVE PITCH (USBL ON 206-001-115-015)	1		A
5	206-001-143-003	.STICK ASSY, COLLECTIVE PITCH (USBL ON 206-001-115-023 AND -025)	1		CD
5	206-001-143-007	.STICK ASSY, COLLECTIVE PITCH (USBL ON 206-001-115-029)	1		E
5	206-001-143-009	.STICK ASSY, COLLECTIVE PITCH (USBL ON 206-001-115-031) (REPLACED BY 206-001-143-013 AND -107)	1		N
5	206-001-143-013	.STICK ASSY, COLLECTIVE PITCH (USBL ON 206-001-115-031 AND -101) (REPLACES 206-001-143-009) (REPLACED BY 206-001-143-107)	1		PU
6	206-001-143-107	.STICK ASSY, COLLECTIVE PITCH (USBL ON 206-001-115-031, -101 AND -113) (REPLACES 206-001-143-009 AND -013)	1		R
7	206-001-163-003	..SCREW (USBL ON 206-001-143-001, -003, -007, -009, -013 AND -101) (REPLACED BY 206-310-007-101)	1		J
7	206-310-007-101	..SCREW (REPLACES 206-001-163-003)	1		
8	MS171469	..PIN	2		
9	206-001-148-001	..BUTTON	1		
10	206-001-149-001	..SPRING	1		
11	206-001-146-001	..BUSHING	2		
12	MS171537	..PIN (REPLACED BY NAS561C4-22) (USBL ON 206-001-143-001, -003, -007, -009 AND -013)	1		H
12	NAS561C4-22	..PIN (REPLACES MS171537) (USBL ON 206-001-143-001, -003, -007, -009 AND -013)	1		H
12	NAS561C4-24	..PIN (USBL ON 206-001-143-107)	1		W
	206-001-138-001	..BOX ASSY, SWITCH (USBL ON 206-001-143-001) (REPLACED BY 206-001-179-001, -003 AND 206-001-818-101)	1		A

(1) INDEX NUMBER	(2) PART NUMBER	(3) ITEM NAME	(4) UNIT PER ASSY	(5) A V A I L	(6) U O C
		FIGURE: 67-4. Jackshaft assembly (Cont'd)			
	206-001-138-003	..BOX ASSY, SWITCH (USBL ON 206-001-143-003) (REPLACED BY 206-001-179-001, -003 AND 206-001-818-101)	1		CD
	206-001-179-001	..BOX ASSY, SWITCH (USBL ON 206-001-143-001, -003, -007, -009 AND -013) (REPLACES 206-001-138-001 AND -003) (REPLACED BY 206-001-179-003 AND 206-001-818-101)	1		G
	206-001-179-003	..BOX ASSY, SWITCH (USBL ON 206-001-143-001, -003, -007, -009 AND -013) (REPLACES 206-001-138-001, -003 AND 206-001-179-001) (REPLACED BY 206-001-818-101)	1		H
	206-001-818-101	..BOX ASSY, SWITCH (REPLACES 206-001-138-001, -003, 206-001-179-001 AND -003)	1		
13	AN515B4R10	...SCREW (USBL ON 206-001-138-001 AND -003) (REPLACED BY MS35214-17)	3		ACD
13	MS35214-17	...SCREW (REPLACES AN515B4R10)	3		ACD
14	MS35214-16	...SCREW (USBL ON 206-001-818-101)	6		W
15	HS51163K2215	...PLUG BUTTON (USBL ON 206-001-138-001 AND -003)	1		ACD
15	100-046S31D1	...PLUG BUTTON (USBL ON 206-001-179-001)	1		M
16	13AT2	...SWITCH (USBL ON 206-001-179-003 AND 206-001-818-101) (REFERENCE DESIGNATOR S49)	1		VW
17	13AT66	...SWITCH (USBL ON 206-001-138-001, -003 AND 206-001-179-001) (REFERENCE DESIGNATOR S5)	1		G
17	120-071-1	...SWITCH (REPLACES 13AT66)	1		
18	MS25089-3C	...SWITCH (REFERENCE DESIGNATOR S6)	1		
19	206-001-137-001	...COVER (USBL ON 206-001-138-001)	1		A
19	206-001-137-005	...COVER ASSY (USBL ON 206-001-138-003, 206-001-179-001 AND -003) (REPLACED BY 206-001-137-101)	1		L
19	206-001-137-101	...COVER ASSY (USBL ON 206-001-138-003, 206-001-179-001 AND -003) (REPLACES 206-001-137-005)	1		L
20	NAS679A3	...NUT (REPLACED BY MS21042L3) (USBL ON 206-001-138-003)	1		CD
20	MS21042L3	...NUT (REPLACES NAS679A3) (USBL ON 206-001-138-003)	1		CD
21	AN960PD10L	...WASHER (REPLACED BY AN960JD10L) (USBL ON 206-001-138-003)	3		CD
21	AN960JD10L	...WASHER (REPLACES AN960PD10L) (USBL ON 206-001-138-003)	3		CD
22	AN315-3	...NUT (USBL ON 206-001-138-003)	1		CD
23	MS35191-272	...SCREW (USBL ON 206-001-138-003)	1		CD
24	206-001-817-101	...COVER ASSY (USBL ON 206-001-818-101)	1		W
25	206-001-147-001	...BOX (USBL ON 206-001-138-001)	1		A
25	206-001-147-003	...BOX (USBL ON 206-001-138-003)	1		C
25	206-001-168-001	...BOX (USBL ON 206-001-179-001 AND -003)	1		MV
26	100-050B562	...PLUG BUTTON (USBL ON 206-001-818-101)	1		W
27	100-050B500	...PLUG, BUTTON (USBL ON 206-001-818-101)	1		W
28	206-001-814-101	...SWITCH BOX (USBL ON 206-001-818-101)	1		W

(1) INDEX NUMBER	(2) PART NUMBER	(3) ITEM NAME	(4) UNIT PER ASSY	(5) A V A I L	(6) U O C
FIGURE: 67-4. Jackshaft assembly (Cont'd)					
29	206-075-357-003	...CABLE ASSY (USBL ON 206-001-138-001)	1		A
29	206-075-357-011	...CABLE ASSY (USBL ON 206-001-138-003 AND 206-001-143-007)	1		CDE
29	206-075-524-003	..CABLE ASSY (USBL ON 206-001-143-009) (REPLACED . BY 206-001-524-015)	1		F
29	206-075-524-015	..CABLE ASSY (USBL ON 206-001-143-009 AND -013) . . (REPLACES 206-075-524-003) (REPLACED BY 206-075-524-101)	1		Q
29	206-075-524-101	..CABLE ASSY (USBL ON 206-001-143-009 AND -013) . . (REPLACES 206-075-524-003 AND -015)	1		PU
29	206-075-793-105	..CABLE ASSY (USBL ON 206-001-143-107)	1		W
30	NAS1190-3P6L	..SCREW (USE WITH 206-001-122-005)	1		
31	AN960D10L	..WASHER (USE WITH 206-001-122-005)	2		
32	206-001-122-001	..GUIDE (USBL ON 206-001-143-001) (REPLACED BY . . . 206-001-122-005)	1		A
32	206-001-122-003	..GUIDE (USBL ON 206-001-143-003) (REPLACED BY . . . 206-001-122-005)	1		CD
32	206-001-122-005	..GUIDE (REPLACES 206-001-122-001 AND -003)	1		
33	206-001-145-001	..GRIP ASSY (USBL ON 206-001-143-001, -003, -007, -009 AND -013) (REPLACED BY 206-001-812-101)	1		H
33	206-001-812-101	..GRIP ASSY (REPLACES 206-001-145-001)	1		
34	206-001-145-009	..FERRULE	1		
35	206-001-145-007	..COVER (REPLACED BY DK154)	1		
35	DK154	..CORK (REPLACES 206-001-145-007)	1		
36	206-001-145-003	..TUBE	1		
37	206-001-145-005	..EXTENSION (USBL ON 206-001-145-001)	1		H
37	206-001-813-101	..EXTENSION (USBL ON 206-001-812-101)	1		W
38	206-001-134-001	..TUBE ASSY (USBL ON 206-001-143-001, -003, -007 . . AND -009)	1		BN
38	206-001-134-015	..TUBE ASSY (USBL ON 206-001-143-013 AND -107) . . .	1		S
39	206-001-144-001	..TUBE ASSY (USBL ON 206-001-143-001)	1		A
39	206-001-144-009	..TUBE ASSY (USBL ON 206-001-143-003, -007, -009)	1		K
(ALTERNATE PART)					
39	206-001-144-021	..TUBE ASSY	1		K
39	206-001-144-021	..TUBE ASSY (USBL ON 206-001-143-013 AND -107) . . .	1		S
40	MS35489-13	..GROMMET (PRE TB 206-78-7) (USBL ON 206-001-144-001 AND -009)	1		BN
40	MS21266-1N	..GROMMET (POST TB 206-78-7)	1		BN
41	60-003-1N16	..GROMMET (USBL ON 206-001-144-021)	1		S
42	206-001-144-003	..TUBE ASSY (USBL ON 206-001-144-001)	1		A
43	206-001-144-011	..TUBE ASSY (USBL ON 206-001-144-009)	1		K
44	206-001-144-023	..TUBE ASSY (USBL ON 206-001-144-021)	1		KS
45	206-001-143-701	..BUSHING (USBL ON 206-001-143-001, -003, -007 . . . AND -009)	1		BN
45	206-001-208-001	..BUSHING (USBL ON 206-001-143-013 AND -107)	1		S
46	MS171500	..PIN (REPLACED BY NAS561C3-12)	1		
46	NAS561C3-12	..PIN (REPLACES MS171500)	1		

(1) INDEX NUMBER	(2) PART NUMBER	(3) ITEM NAME	(4) UNIT PER ASSY	(5) A V A I L	(6) U O C
		FIGURE: 67-4. Jackshaft assembly (Cont'd)			
47	NAS1352-08H12	.SCREW (USBL ON 206-001-115-101 AND -113) (REPLACED BY NAS1352-08LE12P)	1		UW
47	NAS1352-08LE12P	.SCREW (REPLACES NAS1352-08H12)	1		UW
48	NAS620-8L	.WASHER (USBL ON 206-001-115-101 AND -113)	1		UW
49	206-001-118-003	.THROTTLE ARM (USBL ON 206-001-115-015, -023, -025 AND -031)	1		BP
49	206-001-211-101	.THROTTLE ARM (USBL ON 206-001-115-101 AND 113) . .	1		UW
50	206-001-212-101	.CLAMP ASSY (USBL ON 206-001-115-101 AND -113) . . .	1		UW
51	MS51836-207	..INSERT	1		
52	MS17826-4	.NUT (REPLACED BY MS14145L4)	1		
52	MS14145L4	.NUT (REPLACES MS17826-4) (ALTERNATE PART)	1		
52	AN320-4	.NUT	1		
53	AN960PD416	.WASHER (REPLACED BY AN960JD416)	2		
53	AN960JD416	.WASHER (REPLACES AN960PD416)	2		
54	AN24-8	.BOLT	1		
55	206-001-141-001	.SLEEVE	1		
56	120-035-52-42	.SHIM	1		
57	NAS679A4	.NUT (REPLACED BY MS21042L4)	1		DER
57	MS21042L4	.NUT (REPLACES NAS679A4)	1		DER
58	AN960-416	.WASHER (REPLACED BY AN960C416)	1		DFR
58	AN960C416	.WASHER (REPLACES AN960-416)	1		DFR
59	AN4-13A	.BOLT	1		DER
60	NAS1197-416	.WASHER	1		DER
61	206-001-113-001	.SUPPORT ASSY (USBL ON 206-001-115-015 AND -023) . .	1		AC
61	206-001-019-001	.SUPPORT ASSY	1		DER
62	RRN175	..RETAINER (REPLACED BY M27426-4127D)	1		
62	M27426-4127D	..RETAINER (REPLACES RRN175)	1		
63	B542DD	..BEARING (REPLACED BY MS27646-42)	1		
63	MS27646-42	..BEARING (REPLACES B542DD) (ALTERNATE PART)	1		
63	B542ZZ	..BEARING	1		
64	NAS679C5M	.NUT (REPLACED BY MS21043-5)	1		DER
64	MS21043-5	.NUT (REPLACES NAS679C5M)	1		DER
65	AN960C516	.WASHER	1		DER
66	206-001-178-001	.BOLT	1		DER
67	205-001-109-001	.CLAMP ASSY	1		DER
68	206-001-109-005	..LINER (MAKE FROM 150-044-1)	1		
68	150-044-1	..BUFFER	1		
	206-001-115-017	.JACKSHAFT ASSY (USBL ON 206-001-115-015 AND -023) (REPLACED BY 206-001-115-019)	1		AC
	206-001-115-019	.JACKSHAFT ASSY (USBL ON 206-001-115-015, -023, . . -025, -029 AND -031) (REPLACES 206-001-115-017)	1		BP
	206-001-115-105	.JACKSHAFT ASSY (USBL ON 206-001-115-101 AND -113)	1		UW
69	NAS679A4	..NUT (REPLACED BY MS21042L4)	2		
69	MS21042L4	..NUT (REPLACES NAS679A4)	2		
70	AN960PD416	..WASHER (REPLACED BY AN960JD416)	4		
70	AN960JD416	..WASHER (REPLACES AN960PD416)	4		
71	AN4-21A	..BOLT	2		

(1) INDEX NUMBER	(2) PART NUMBER	(3) ITEM NAME	(4) UNIT PER ASSY	(5) A V A I L	(6) U O C
		FIGURE: 67-4. Jackshaft assembly (Cont'd)			
72	206-001-154-001	..ELBOW ASSY (USBL ON 206-001-115-017 AND -019) .. (REPLACED BY 206-001-150-103)	1		BP
72	206-001-150-103	..ELBOW ASSY (USBL ON 206-001-115-017 AND -019) .. (REPLACES 206-001-154-001)	1		BP
72	206-001-154-101	..ELBOW ASSY (USBL ON 206-001-115-105) (REPLACED .. BY 206-001-150-101)	1		T
72	206-001-150-101	..ELBOW ASSY (USBL ON 206-001-115-105) (REPLACES .. 206-001-154-101)	1		UW
73	206-001-135-001	...BUSHING (USBL ON 206-001-150-103 AND 206-001-154-001)	1		BP
73	206-001-135-101	...BUSHING (USBL ON 206-001-150-101 AND 206-001-154-101)	1		UW
74	21-004B4-10	...BUSHING (USBL ON 206-001-150-101 AND 206-001-154-101)	1		UW
75	206-001-121-001	..BEARING, FRICTION ADJUSTMENT	1		
76	206-001-152-005	..TUBE ASSY (USBL ON 206-001-115-017)	1		AC
76	206-001-152-007	..TUBE ASSY (USBL ON 206-001-115-019 AND -105) ...	1		DER
77	MS21042L4	.NUT (USBL ON 206-001-115-015, -023, -025, -029 .. AND -031)	1		BP
77	MS17825-4	.NUT (REPLACED BY MS14144L4) (USBL ON 206-001-115-101 AND -113)	1		UW
77	MS14144L4	.NUT (REPLACES MS17825-4) (USBL ON 206-001-115-101 AND -113) (ALTERNATE PART)	1		UW
77	AN310-4	.NUT (USBL ON 206-001-115-101 AND -113)	1		UW
78	AN316-4R	.NUT	1		
79	AN960-416L	.WASHER	1		
80	206-001-126-001	.NUT	1		
81	206-001-336-003	.KNOB AND SHAFT ASSY (USBL ON 206-001-115-015 AND .. -023)	1		AC
81	206-001-341-001	.KNOB AND SHAFT ASSY (USBL ON 206-001-115-025, ... -029 AND -031)	1		DEP
81	206-001-341-003	.KNOB AND SHAFT ASSY (USBL ON 206-001-115-101 AND .. -113)	1		UW
82	MS20392-1C19	..PIN, STRAIGHT (REPLACED BY MS20392-1S19)	1		DER
82	MS20392-1S19	..PIN, STRAIGHT (REPLACES MS20392-1C19)	1		DER
83	206-001-335-003	..KNOB (USBL ON 206-001-336-003)	1		AC
83	206-001-335-005	..KNOB (USBL ON 206-001-341-001 AND -003)	1		DER
84	206-001-337-003	..SHAFT (USBL ON 206-001-336-003)	1		AC
84	206-001-337-007	..SHAFT (USBL ON 206-001-341-001)	1		DEP
84	206-001-337-009	..SHAFT (USBL ON 206-001-341-003)	1		UW

(1) INDEX NUMBER	(2) PART NUMBER	(3) ITEM NAME	(4) UNIT PER ASSY	(5) A V A I L	(6) U O C																																																																		
		<p>FIGURE: 67-4. Jackshaft assembly (Cont'd)</p> <p style="text-align: center;">USABLE ON CODES</p> <table border="0" style="width: 100%;"> <thead> <tr> <th style="text-align: left;">CODE</th> <th style="text-align: left;">MODEL</th> <th style="text-align: left;">SERIAL NUMBER</th> </tr> </thead> <tbody> <tr><td>A</td><td>206A</td><td>4-103</td></tr> <tr><td>B</td><td>206A</td><td>4-583</td></tr> <tr><td>C</td><td>206A</td><td>104-203</td></tr> <tr><td>D</td><td>206A</td><td>204-413</td></tr> <tr><td>E</td><td>206A</td><td>414-583</td></tr> <tr><td>F</td><td>206A/B</td><td>584-2123</td></tr> <tr><td>G</td><td>206A/B/BIII</td><td>4-3466</td></tr> <tr><td>H</td><td>206A/B/BIII</td><td>4-4310</td></tr> <tr><td>J</td><td>206A/B/BIII</td><td>4-4319</td></tr> <tr><td>K</td><td>206A/B/BIII</td><td>104-2604</td></tr> <tr><td>L</td><td>206A/B/BIII</td><td>104-4310</td></tr> <tr><td>M</td><td>206A/B/BIII</td><td>414-3466</td></tr> <tr><td>N</td><td>206A/B/BIII</td><td>584-2604</td></tr> <tr><td>P</td><td>206A/B/BIII</td><td>584-3341</td></tr> <tr><td>Q</td><td>206A/B/BIII</td><td>584-3466</td></tr> <tr><td>R</td><td>206A/B/BIII</td><td>584-SUB</td></tr> <tr><td>S</td><td>206A/B/BIII</td><td>2605-SUB</td></tr> <tr><td>T</td><td>206A/B/BIII</td><td>3342-4004</td></tr> <tr><td>U</td><td>206A/B/BIII</td><td>3342-4310</td></tr> <tr><td>V</td><td>206A/B/BIII</td><td>3467-4310</td></tr> <tr><td>W</td><td>206A/B/BIII</td><td>4311-SUB</td></tr> </tbody> </table> <p>1) UNLESS A USABLE ON PART NUMBER IS LISTED IN THE ITEM NAME COLUMN; NO CODE INDICATES THE PART APPLIES TO ALL SERIAL NUMBERS.</p> <p>2) IF THE SERIAL NUMBER IS BLANK THE PART APPLIES TO ALL SERIAL NUMBERS FOR THAT MODEL.</p>	CODE	MODEL	SERIAL NUMBER	A	206A	4-103	B	206A	4-583	C	206A	104-203	D	206A	204-413	E	206A	414-583	F	206A/B	584-2123	G	206A/B/BIII	4-3466	H	206A/B/BIII	4-4310	J	206A/B/BIII	4-4319	K	206A/B/BIII	104-2604	L	206A/B/BIII	104-4310	M	206A/B/BIII	414-3466	N	206A/B/BIII	584-2604	P	206A/B/BIII	584-3341	Q	206A/B/BIII	584-3466	R	206A/B/BIII	584-SUB	S	206A/B/BIII	2605-SUB	T	206A/B/BIII	3342-4004	U	206A/B/BIII	3342-4310	V	206A/B/BIII	3467-4310	W	206A/B/BIII	4311-SUB			
CODE	MODEL	SERIAL NUMBER																																																																					
A	206A	4-103																																																																					
B	206A	4-583																																																																					
C	206A	104-203																																																																					
D	206A	204-413																																																																					
E	206A	414-583																																																																					
F	206A/B	584-2123																																																																					
G	206A/B/BIII	4-3466																																																																					
H	206A/B/BIII	4-4310																																																																					
J	206A/B/BIII	4-4319																																																																					
K	206A/B/BIII	104-2604																																																																					
L	206A/B/BIII	104-4310																																																																					
M	206A/B/BIII	414-3466																																																																					
N	206A/B/BIII	584-2604																																																																					
P	206A/B/BIII	584-3341																																																																					
Q	206A/B/BIII	584-3466																																																																					
R	206A/B/BIII	584-SUB																																																																					
S	206A/B/BIII	2605-SUB																																																																					
T	206A/B/BIII	3342-4004																																																																					
U	206A/B/BIII	3342-4310																																																																					
V	206A/B/BIII	3467-4310																																																																					
W	206A/B/BIII	4311-SUB																																																																					

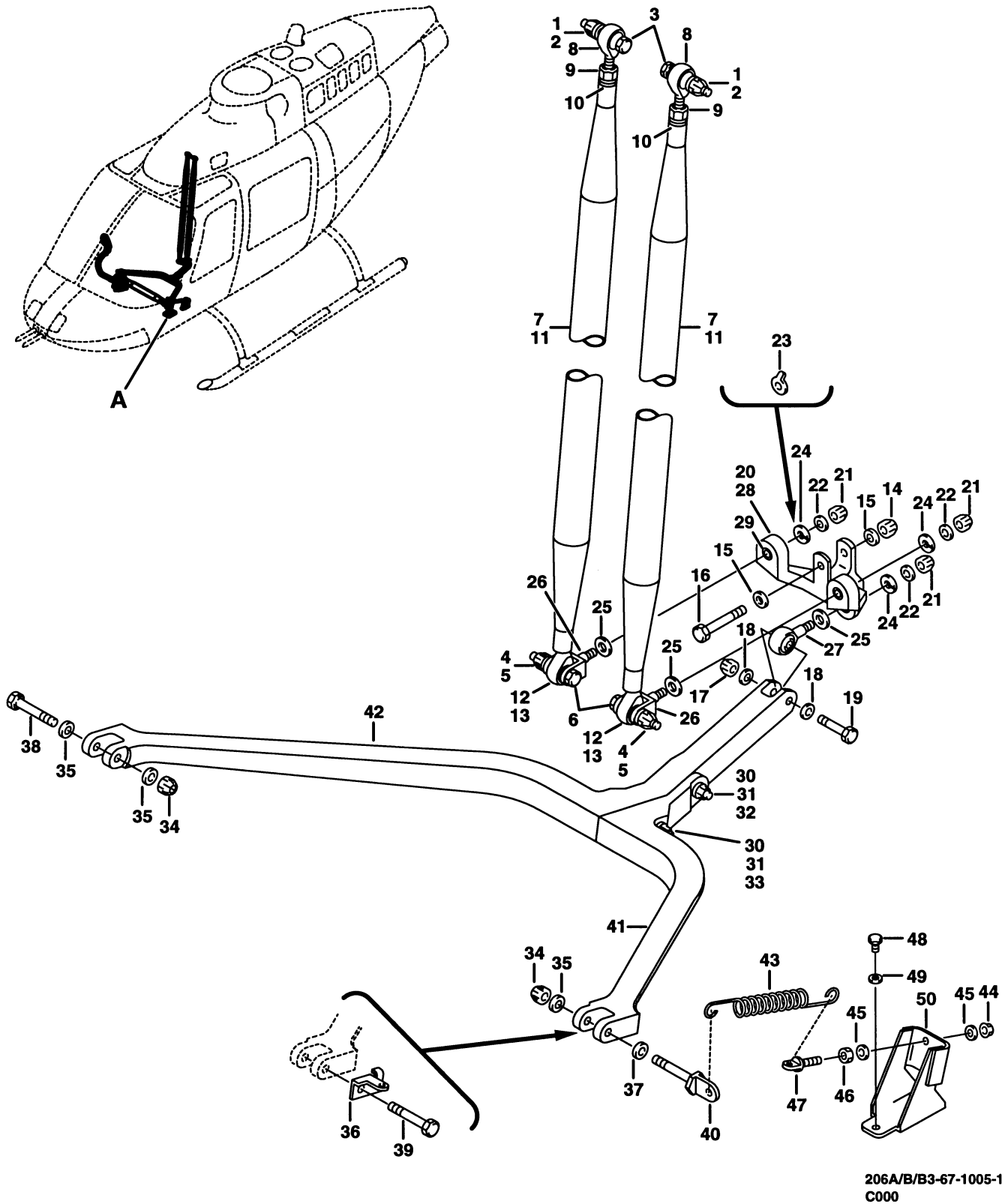
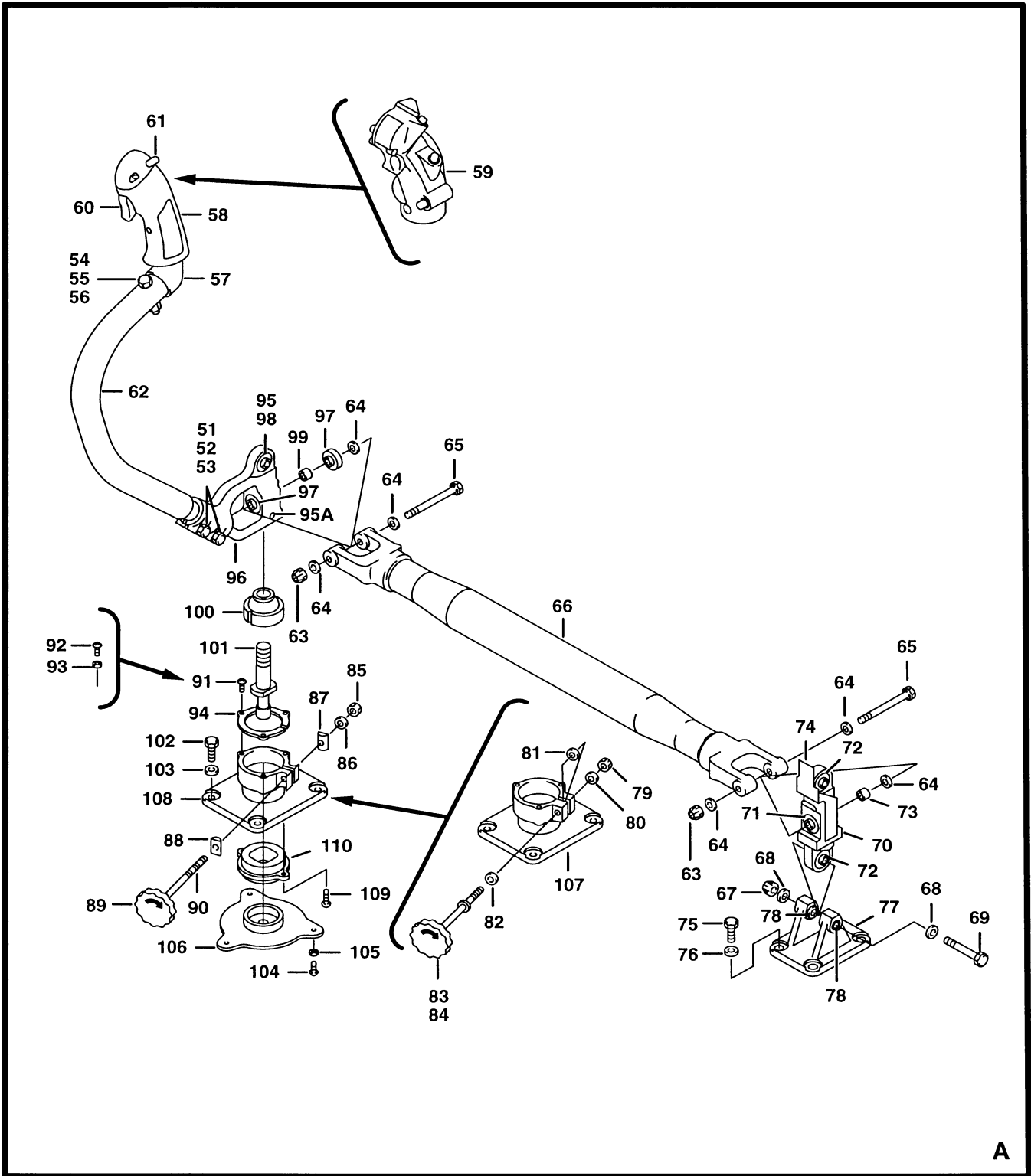


Figure 67-5. Controls installation, cyclic (Sheet 1 of 2)

206A/B/B3-67-1005-1
C000



206A/B/B3-67-1005-2
C0000

Figure 67-5. Controls installation, cyclic (Sheet 2)

(1) INDEX NUMBER	(2) PART NUMBER	(3) ITEM NAME	(4) UNIT PER ASSY	(5) A V A I L	(6) U O C
		FIGURE: 67-5. Controls installation, cyclic			
	206-001-011-001	CONTROLS INSTL, CYCLIC	1		
	206-001-011-003	CONTROLS INSTL, CYCLIC	1		
	206-001-011-005	CONTROLS INSTL, CYCLIC	1		
	206-001-011-007	CONTROLS INSTL, CYCLIC	1		
	206-001-011-009	CONTROLS INSTL, CYCLIC	1		
	206-001-011-011	CONTROLS INSTL, CYCLIC	1		
	206-001-011-013	CONTROLS INSTL, CYCLIC	1		
	206-001-011-017	CONTROLS INSTL, CYCLIC	1		
	206-001-011-023	CONTROLS INSTL, CYCLIC	1		
	206-001-011-101	CONTROLS INSTL, CYCLIC	1		
	206-001-011-103	CONTROLS INSTL, CYCLIC	1		
1	MS17825-4	.NUT (REPLACED BY MS14144L4)	2	0	
1	MS14144L4	.NUT (REPLACES MS17825-4)	2	1	
2	NAS1197-416	.WASHER	2	1	M
2	AN960PD416	.WASHER (REPLACED BY AN960JD416)	2		Y
2	AN960JD416	.WASHER (REPLACES AN960PD416) (REPLACED BY NAS1149D0463J)	2		Y
2	NAS1149D0463J	.WASHER (REPLACES AN960JD416)	2		Y
3	NAS334C13	.BOLT	2	1	M
3	NAS334CP11	.BOLT	2	1	Y
4	MS17825-4	.NUT (REPLACED BY MS14144L4)	2	0	
4	MS14144L4	.NUT (REPLACES MS17825-4)	2	1	
5	AN960-416L	.WASHER (REPLACED BY NAS1149F0432P)	2	1	
5	NAS1149F0432P	.WASHER (REPLACES AN960-416L)	2		
6	AN174-10	.BOLT	2	1	
7	206-001-022-043	.TUBE ASSY, ADJUSTABLE FLIGHT CONTROLS	2		G
7	206-001-096-037	.TUBE ASSY, ADJUSTABLE FLIGHT CONTROLS (REPLACED . BY 206-001-096-001)	2	0	W
7	206-001-096-001	.TUBE ASSY, ADJUSTABLE FLIGHT CONTROLS (REPLACES . 206-001-096-037)	2	1	W
8	206-001-052-001	..BEARING, PLAIN, ROD END	1	1	
9	AN316-6R	..NUT	1	1	
10	AN960PD616	..WASHER (REPLACED BY AN960JD616)	1		
10	AN960JD616	..WASHER (REPLACES AN960PD616) (REPLACED BY NAS1149D0663J)	1		
10	NAS1149D0663J	..WASHER (REPLACES AN960JD616)	1		
11	206-001-022-045	..TUBE ASSY, ADJUSTABLE FLIGHT CONTROLS (USBL ON . . 206-001-022-043)	2		G
11	206-001-096-039	..TUBE ASSY, ADJUSTABLE FLIGHT CONTROLS (USBL ON . . 206-001-096-037)	1		W
11	206-001-096-003	..TUBE ASSY, ADJUSTABLE FLIGHT CONTROLS (USBL ON . . 206-001-096-001)	1	6	W
12	206-001-055-001	...BEARING, PLAIN ROD END (USBL ON 206-001-096-039, 206-001-022-045)	1	1	
12	209-001-053-001	...BEARING, PLAIN, ROD END (USBL ON 206-001-096-003)	1	1	
13	214-001-024-001	...INSERT	1	1	
14	MS17825-5	.NUT (REPLACED BY MS14144L5)	1		
14	MS14144L5	.NUT (REPLACES MS17825-5)	1	1	
15	AN960PD516	.WASHER (REPLACED BY AN960JD516)	2		

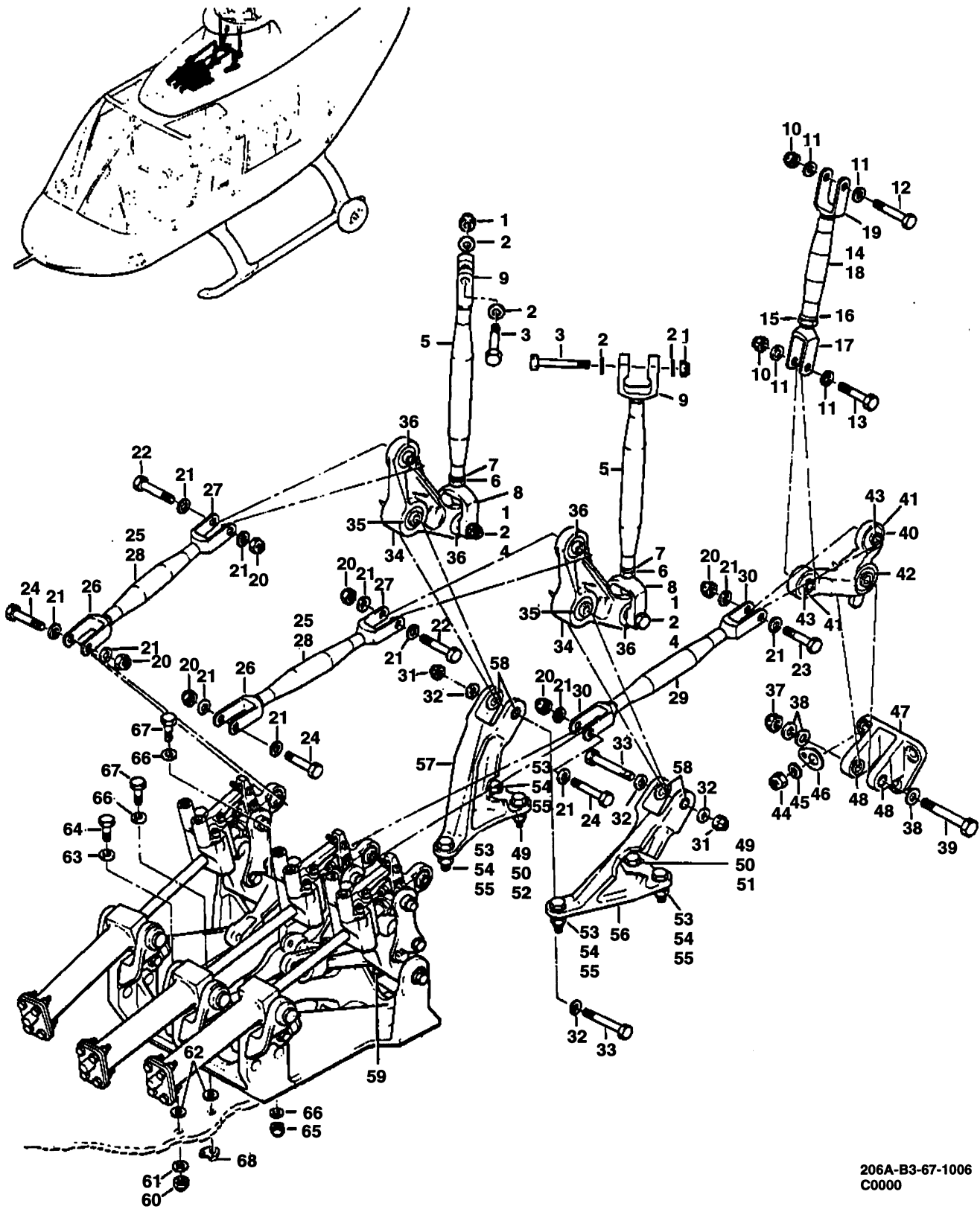
(1) INDEX NUMBER	(2) PART NUMBER	(3) ITEM NAME	(4) UNIT PER ASSY	(5) A V A I L	(6) U O C
FIGURE: 67-5. Controls installation, cyclic (Cont'd)					
15	AN960JD516	.WASHER (REPLACES AN960PD516) (REPLACED BY NAS1149D0563J)	2	1	
15	NAS1149D0563J	.WASHER (REPLACES AN960JD516)	2	1	
16	AN175-17	.BOLT (ALTERNATE PART)	1	1	
16	20-057-5-23D	.BOLT	1	1	
17	MS17825-4	.NUT (REPLACED BY MS14144L4)	1	0	
17	MS14144L4	.NUT (REPLACES MS17825-4)	1	1	
18	NAS1197-416	.WASHER	2	1	
19	AN174-13	.BOLT	1	1	
20	206-001-363-001	.LEVER ASSY, MIXING	1		C
20	206-001-363-009	.LEVER ASSY, MIXING	1	1	R
21	MS17825-4	.NUT (REPLACED BY MS14144L4)	3	0	
21	MS14144L4	.NUT (REPLACES MS17825-4)	3	1	
22	120-003-16-9	.SHIM	3	1	
23	206-001-065-001	.WASHER, THRUST (USBL ON 206-001-363-001)	3	0	C
24	206-001-067-003	.WASHER, SLOTTED THRUST (USBL ON 206-001-363-009)	3	1	R
25	206-001-062-003	.WASHER, THRUST	3	1	
26	206-001-061-001	.CLEVIS (USBL ON 206-001-363-001)	2	0	C
26	206-001-061-003	.CLEVIS (USBL ON 206-001-363-009)	2	1	R
27	206-001-057-001	.BEARING (USBL ON 206-001-363-001)	1	0	C
27	206-001-057-003	.BEARING (USBL ON 206-001-363-009)	1	1	R
28	206-001-363-005	.LEVER ASSY	1	1	
29	06DU08	.BUSHING	3	1	
30	NAS679A4	.NUT (REPLACED BY MS21042L4)	2	0	
30	MS21042L4	.NUT (REPLACES NAS679A4)	2	1	
31	NAS1197-416	.WASHER	4	1	
32	AN4-17A	.BOLT	1	1	
33	AN4-30A	.BOLT	1	1	
34	MS17825-5	.NUT (REPLACED BY MS14144L5)	2		
34	MS14144L5	.NUT (REPLACES MS17825-5)	2	1	
35	NAS1197-516	.WASHER	3	1	
36	206-001-391-001	.CLIP	1		K
37	NAS1197-516	.WASHER	1	1	P
38	AN175-16	.BOLT	1	1	H
38	NAS1305-22D	.BOLT (REPLACED BY NAS6605D22)	1		X
38	NAS6605D22	.BOLT (REPLACES NAS1305-22D)	1		X
39	AN175-16	.BOLT	1	1	D
40	206-001-380-001	.EYEBOLT	1	1	T
41	206-001-322-003	.YOKE, LH	1	1	
42	206-001-323-001	.YOKE, RH	1	1	
43	206-001-377-001	.SPRING	1	1	S
44	NAS679A3	.NUT (REPLACED BY MS21042L3)	1		S
44	MS21042L3	.NUT (REPLACES NAS679A3)	1	1	S
45	AN960PD10L	.WASHER (REPLACED BY AN960JD10L)	2		S
45	AN960JD10L	.WASHER (REPLACES AN960PD10L) (REPLACED BY NAS1149D0332J)	2		S
45	NAS1149D0332J	.WASHER (REPLACES AN960JD10L)	2		S
46	NAS671-10	.NUT	1	1	S

(1) INDEX NUMBER	(2) PART NUMBER	(3) ITEM NAME	(4) UNIT PER ASSY	(5) A V A I L	(6) U O C
		FIGURE: 67-5. Controls installation, cyclic (Cont'd)			
47	206-001-745-001	.EYEBOLT ASSY	1	1	J
47	206-001-745-003	.EYEBOLT ASSY	1	1	V
48	AN3-3A	.BOLT	2	1	S
49	AN960PD10	.WASHER (REPLACED BY AN960JD10)	2		S
49	AN960JD10	.WASHER (REPLACES AN960PD10) (REPLACED BY NAS1149D0363J)	2		S
49	NAS1149D0363J	.WASHER (REPLACES AN960JD10)	2		S
50	206-001-379-001	.BRACKET ASSY	1	1	J
50	206-001-375-001	.BRACKET ASSY	1	1	V
51	MS21042L4	.NUT	2	1	
52	AN960PD416	.WASHER (REPLACED BY AN960JD416)	4		
52	AN960JD416	.WASHER (REPLACES AN960PD416) (REPLACED BY NAS1149D0463J)	4		
52	NAS1149D0463J	.WASHER (REPLACES AN960JD416)	4		
53	AN4-21A	.BOLT	2	1	
	206-001-344-001	.STICK ASSY, CYCLIC	1	0	N
	206-001-344-101	.STICK ASSY, CYCLIC	1		Z
54	90-003-40	.NUT	1	1	
55	AN960PD416	.WASHER (REPLACED BY AN960JD416)	3		
55	AN960JD416	.WASHER (REPLACES AN960PD416) (REPLACED BY NAS1149D0463J)	3		
55	NAS1149D0463J	.WASHER (REPLACES AN960JD416)	3		
56	AN24-26A	.BOLT	1	1	
57	206-001-343-001	.ELBOW	1		
58	206-001-359-001	.GRIP ASSY (ALTERNATE PART)	1	1	
59	21110-1	.GRIP ASSY (SEE FIG. 10 FOR BREAKDOWN) (REPLACED . BY PM21110-1)	1	0	
59	PM21110-1	.GRIP ASSY (SEE FIG. 10 FOR BREAKDOWN) (REPLACES . 21110-1)	1	6	
60	90-367	.SWITCH (USBL ON 206-001-359-001)	1	1	
61	90-370	.SWITCH (USBL ON 206-001-359-001)	1	1	
62	206-001-342-001	.TUBE ASSY, CYCLIC STICK	1	1	N
62	206-001-342-101	.TUBE ASSY, CYCLIC STICK	1	1	Z
63	MS17825-4	.NUT (REPLACED BY MS14144L4)	2	0	
63	MS14144L4	.NUT (REPLACES MS17825-4)	2	1	
64	AN960PD416	.WASHER (REPLACED BY AN960JD416)	6		
64	AN960JD416	.WASHER (REPLACES AN960PD416) (REPLACED BY NAS1149D0463J)	6		
64	NAS1149D0463J	.WASHER (REPLACES AN960JD416)	6		
65	AN174-30	.BOLT	2	1	
66	206-001-306-011	.TUBE ASSY, TORQUE	1	1	
67	MS17826-5	.NUT (REPLACED BY MS14145L5)	1	0	
67	MS14145L5	.NUT (REPLACES MS17826-5)	1	1	
68	NAS1197-516	.WASHER	2	1	
69	AN175-21	.BOLT	1	1	
70	206-001-339-011	.LEVER ASSY	1	0	A
70	206-001-339-027	.LEVER ASSY	1	6	E
70	206-001-339-023	.LEVER ASSY (REPLACED BY 206-001-400-009 AND -115)	1	0	Q

(1) INDEX NUMBER	(2) PART NUMBER	(3) ITEM NAME	(4) UNIT PER ASSY	(5) A V A I L	(6) U O C
		FIGURE: 67-5. Controls installation, cyclic (Cont'd)			
70	206-001-400-009	.LEVER ASSY (REPLACES 206-001-339-023) (REPLACED BY 206-001-400-115)	1		Q
70	206-001-400-115	.LEVER ASSY (REPLACES 206-001-339-023 AND 206-001-400-009)	1	1	Q
71	MS20200KP4	.. BEARING (REPLACED BY MS27640-4)	2	0	
71	MS27640-4	.. BEARING (REPLACES MS20200KP4)	2	1	
72	206-001-053-003	.. BEARING (USBL ON 206-001-339-011 AND -027)	2	0	AE
72	206-001-053-005	.. BEARING (USBL ON 206-001-339-023, 206-001-400-009 AND -115) (REPLACED BY 206-301-051-101)	2	1	Q
72	206-301-051-101	.. BEARING (USBL ON 206-001-339-023, 206-001-400-009 AND -115) (REPLACES 206-001-053-005)	2	1	Q
73	214-001-339-009	.. SPACER (USBL ON 206-001-339-023)	1		Q
73	214-001-905-013	.. SPACER (USBL ON 206-001-400-009 AND -115)	1	1	Q
74	206-001-340-001	.. SHIELD	1	6	
75	AN4-5A	.BOLT	4	1	
76	NAS1197-416	.WASHER	4	1	
77	206-001-330-001	.SUPPORT ASSY, PIVOT	1	1	
78	85B7-19-31-18	.. BUSHING (REPLACED BY 22-007-19-31-18)	2		
78	22-007-19-31-18	.. BUSHING (REPLACES 85B7-19-31-18)	2	1	
79	MS17826-4	.NUT (REPLACED BY MS14145L4)	1		C
79	MS14145L4	.NUT (REPLACES MS17826-4)	1	1	C
80	120-035-16-8	.SHIM	1	1	C
81	50Z16-9-1	.SPACER	1	1	C
82	AN960PD416	.WASHER (REPLACED BY AN960JD416)	1		C
82	AN960JD416	.WASHER (REPLACES AN960PD416) (REPLACED BY NAS1149D0463J)	1		C
82	NAS1149D0463J	.WASHER (REPLACES AN960JD416)	1		C
83	206-001-336-005	.KNOB AND SHAFT ASSY	1		C
84	206-001-335-001	.. KNOB	1	1	C
85	206-001-351-001	.NUT	1	1	R
86	AN960PD416	.WASHER (REPLACED BY AN960JD416)	1		R
86	AN960JD416	.WASHER (REPLACES AN960PD416) (REPLACED BY NAS1149D0463J)	1		R
86	NAS1149D0463J	.WASHER (REPLACES AN960JD416)	1		R
87	SL50-4ASP5	.NUT, BARREL	1	1	U
88	SL50-5ASP6	.NUT, BARREL	1	1	U
	206-001-348-001	.KNOB AND SHAFT ASSY	1		L
	206-001-396-001	.. SHAFT ASSY	1	1	U
89	206-001-335-001	.. KNOB	1	1	
90	206-001-325-001	.. SHAFT (USBL ON 206-001-348-001)	1	1	L
90	206-001-395-001	.. SHAFT (USBL ON 206-001-396-001)	1	1	U
91	AN525-10R6	.SCREW	3	1	R
92	AN525-10R6	.SCREW	3	1	C
93	AN960PD10L	.WASHER (REPLACED BY AN960JD10L)	3		C
93	AN960JD10L	.WASHER (REPLACES AN960PD10L) (REPLACED BY NAS1149D0332J)	3		C
93	NAS1149D0332J	.WASHER (REPLACES AN960JD10L)	3		C
94	206-001-349-001	.RETAINER	1	1	R

(1) INDEX NUMBER	(2) PART NUMBER	(3) ITEM NAME	(4) UNIT PER ASSY	(5) A V A I L	(6) U O C
		FIGURE: 67-5. Controls installation, cyclic (Cont'd)			
95	206-001-345-001	.PIVOT ASSY, PILOTS (REPLACED BY 206-001-345-003)	1	0	B
95	206-001-345-003	.PIVOT ASSY, PILOTS (REPLACES 206-001-345-001) . . . (REPLACED BY 206-001-345-007)	1		F
95	206-001-345-007	.PIVOT ASSY, PILOTS (REPLACES 206-001-345-001 . . . AND -003) (REPLACED BY 206-001-345-009)	1	6	N
95	206-001-345-009	.PIVOT ASSY, PILOTS (REPLACES 206-001-345-001, . . . -003 AND -007)	1	1	
95A	MS20470AD4	..RIVET (NOTE 1)	1		
96	206-001-339-005	..LEVER ASSY, PILOTS (USBL ON 206-001-345-001) . . . (REPLACED BY 206-001-339-019 AND -033)	1		B
96	206-001-339-019	..LEVER ASSY, PILOTS (USBL ON 206-001-345-001 AND -003) (REPLACES 206-001-339-005) (REPLACED BY 206-001-339-033)	1		F
96	206-001-339-033	..LEVER ASSY, PILOTS (USBL ON 206-001-345-001, . . . -003 AND -007) (REPLACES 206-001-339-005 AND -019)	1	1	N
96	206-001-400-005	..LEVER ASSY, PILOTS (USBL ON 206-001-345-009) . . . (REPLACED BY 206-001-400-101 AND -111)	1	0	
96	206-001-400-101	..LEVER ASSY, PILOTS (USBL ON 206-001-345-009) . . . (REPLACES 206-001-400-005) (REPLACED BY 206-001-400-111)	1		
96	206-001-400-111	..LEVER ASSY, PILOTS (USBL ON 206-001-345-009) . . . (REPLACES 206-001-400-005 AND -101)	1	1	
97	MS20200KP4	...BEARING (REPLACED BY MS27640-4)	2	0	
97	MS27640-4	...BEARING (REPLACES MS20200KP4)	2	1	
98	206-001-053-003	...BEARING (USBL ON 206-001-339-005)	1	0	B
98	206-001-053-005	...BEARING (USBL ON 206-001-339-019, -033 AND 206-001-400-005) (REPLACED BY 206-301-051-101)	1	1	F
98	206-301-051-101	...BEARING (REPLACES 206-001-053-005)	1	1	F
99	206-001-339-009	...SPACER (USBL ON 206-001-339-005, -019 AND -033)	1	6	N
99	214-001-905-013	...SPACER (USBL ON 206-001-400-005, -101 AND -111)	1	1	
100	206-001-338-001	..BEARING (REPLACED BY 206-001-338-101)	1	0	
100	206-001-338-101	..BEARING (REPLACES 206-001-338-001)	1	1	
101	206-001-346-001	..LEVER (REPLACED BY 206-001-346-003)	1		
101	206-001-346-003	..LEVER (REPLACES 206-001-346-001)	1	1	
102	AN4-6A	.BOLT	4	1	
103	AN960PD416	.WASHER (REPLACED BY AN960JD416)	4		
103	AN960JD416	.WASHER (REPLACES AN960PD416) (REPLACED BY NAS1149D0463J)	4		
103	NAS1149D0463J	.WASHER (REPLACES AN960JD416)	4		
104	AN525-10R6	.SCREW	3	1	
105	NAS1197-10	.WASHER	3	1	
106	206-001-356-003	.COVER, RIGGING FIXTURE (REPLACED BY 206-001-356-001)	1		D
106	206-001-376-001	.COVER, RIGGING FIXTURE (REPLACES 206-001-376-003)	1	1	

(1) INDEX NUMBER	(2) PART NUMBER	(3) ITEM NAME	(4) UNIT PER ASSY	(5) A V A I L	(6) U O C																																																																											
FIGURE: 67-5. Controls installation, cyclic (Cont'd)																																																																																
107	206-001-360-001	.PIVOT SUPPORT ASSY	1		C																																																																											
107	206-001-360-005	.PIVOT SUPPORT ASSY	1		L																																																																											
108	206-001-397-001	.SUPPORT ASSY, PIVOT (REPLACED BY 206-001-397-101)	1		U																																																																											
108	206-001-397-101	.SUPPORT ASSY, PIVOT (REPLACES 206-001-397-001) . .	1	1	U																																																																											
109	AN503-6-6	..SCREW	2	1																																																																												
110	206-001-328-007	..SLEEVE	1	1																																																																												
NOTE 1: LENGTH IS -22 OR -23 TO BE DETERMINED ON INSTALLATION.																																																																																
USABLE ON CODES																																																																																
<table border="0" style="width: 100%;"> <thead> <tr> <th style="text-align: left;">CODE</th> <th style="text-align: left;">MODEL</th> <th style="text-align: left;">SERIAL NUMBER</th> </tr> </thead> <tbody> <tr><td>A</td><td>206A</td><td>4-103</td></tr> <tr><td>B</td><td>206A</td><td>4-153</td></tr> <tr><td>C</td><td>206A</td><td>4-203</td></tr> <tr><td>D</td><td>206A</td><td>4-583</td></tr> <tr><td>E</td><td>206A</td><td>104-153</td></tr> <tr><td>F</td><td>206A/B</td><td>4-1413</td></tr> <tr><td>G</td><td>206A/B</td><td>4-1662</td></tr> <tr><td>H</td><td>206A/B</td><td>4-2211</td></tr> <tr><td>J</td><td>206A/B</td><td>304-1413</td></tr> <tr><td>K</td><td>206A/B</td><td>584-1413</td></tr> <tr><td>L</td><td>206A/B</td><td>204-1630, 1632-1651</td></tr> <tr><td>M</td><td>206A/B/BIII</td><td>4-2622</td></tr> <tr><td>N</td><td>206A/B/BIII</td><td>4-3566</td></tr> <tr><td>P</td><td>206A/B/BIII</td><td>4-583, 1414-SUB</td></tr> <tr><td>Q</td><td>206A/B/BIII</td><td>154-SUB</td></tr> <tr><td>R</td><td>206A/B/BIII</td><td>204-SUB</td></tr> <tr><td>S</td><td>206A/B/BIII</td><td>304-SUB</td></tr> <tr><td>T</td><td>206A/B/BIII</td><td>584-SUB</td></tr> <tr><td>U</td><td>206B/BIII</td><td>1631, 1652-SUB</td></tr> <tr><td>V</td><td>206B/BIII</td><td>1414-SUB</td></tr> <tr><td>W</td><td>206B/BIII</td><td>1663-SUB</td></tr> <tr><td>X</td><td>206BIII</td><td>2212-SUB</td></tr> <tr><td>Y</td><td>206BIII</td><td>2623-SUB</td></tr> <tr><td>Z</td><td>206BIII</td><td>3567-SUB</td></tr> </tbody> </table>						CODE	MODEL	SERIAL NUMBER	A	206A	4-103	B	206A	4-153	C	206A	4-203	D	206A	4-583	E	206A	104-153	F	206A/B	4-1413	G	206A/B	4-1662	H	206A/B	4-2211	J	206A/B	304-1413	K	206A/B	584-1413	L	206A/B	204-1630, 1632-1651	M	206A/B/BIII	4-2622	N	206A/B/BIII	4-3566	P	206A/B/BIII	4-583, 1414-SUB	Q	206A/B/BIII	154-SUB	R	206A/B/BIII	204-SUB	S	206A/B/BIII	304-SUB	T	206A/B/BIII	584-SUB	U	206B/BIII	1631, 1652-SUB	V	206B/BIII	1414-SUB	W	206B/BIII	1663-SUB	X	206BIII	2212-SUB	Y	206BIII	2623-SUB	Z	206BIII	3567-SUB
CODE	MODEL	SERIAL NUMBER																																																																														
A	206A	4-103																																																																														
B	206A	4-153																																																																														
C	206A	4-203																																																																														
D	206A	4-583																																																																														
E	206A	104-153																																																																														
F	206A/B	4-1413																																																																														
G	206A/B	4-1662																																																																														
H	206A/B	4-2211																																																																														
J	206A/B	304-1413																																																																														
K	206A/B	584-1413																																																																														
L	206A/B	204-1630, 1632-1651																																																																														
M	206A/B/BIII	4-2622																																																																														
N	206A/B/BIII	4-3566																																																																														
P	206A/B/BIII	4-583, 1414-SUB																																																																														
Q	206A/B/BIII	154-SUB																																																																														
R	206A/B/BIII	204-SUB																																																																														
S	206A/B/BIII	304-SUB																																																																														
T	206A/B/BIII	584-SUB																																																																														
U	206B/BIII	1631, 1652-SUB																																																																														
V	206B/BIII	1414-SUB																																																																														
W	206B/BIII	1663-SUB																																																																														
X	206BIII	2212-SUB																																																																														
Y	206BIII	2623-SUB																																																																														
Z	206BIII	3567-SUB																																																																														
1) UNLESS A USABLE ON PART NUMBER IS LISTED IN THE ITEM NAME COLUMN; NO CODE INDICATES THE PART APPLIES TO ALL SERIAL NUMBERS.																																																																																
2) IF THE SERIAL NUMBER IS BLANK THE PART APPLIES TO ALL SERIAL NUMBERS FOR THAT MODEL.																																																																																



206A-B3-67-1006
C0000

Figure 67-6. Controls installation, cyclic and collective (S/N 4 thru 550)

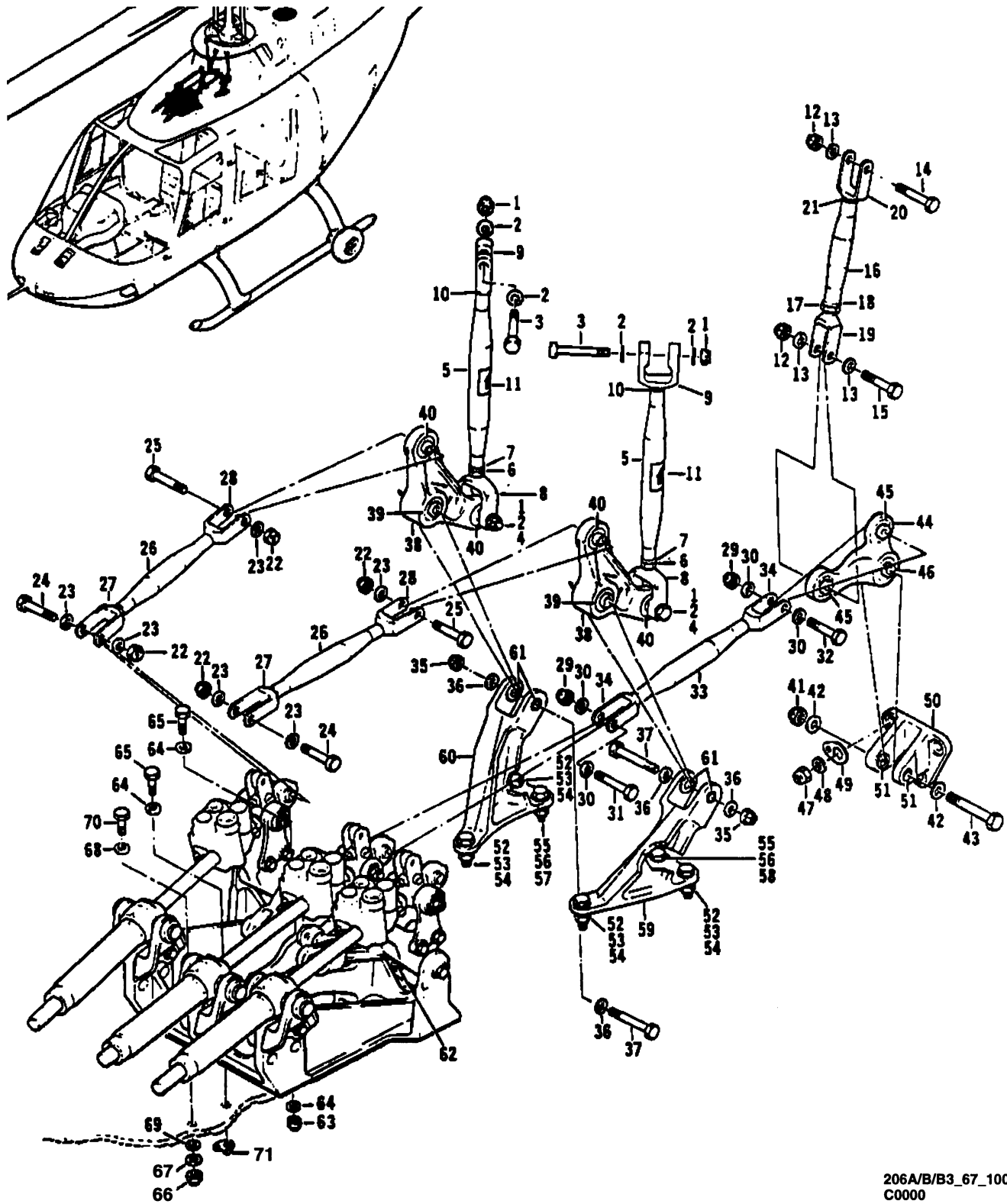
(1) INDEX NUMBER	(2) PART NUMBER	(3) ITEM NAME	(4) UNIT PER ASSY	(5) A V A I L	(6) U O C
		FIGURE: 67-6. Controls installation, cyclic and collective (S/N 4 thru 550)			
	206-001-009-005	CONTROLS INSTL, CYCLIC AND COLLECTIVE	1		
	206-001-009-013	CONTROLS INSTL, CYCLIC AND COLLECTIVE	1		
	206-001-009-009	CONTROLS INSTL, CYCLIC AND COLLECTIVE	1		
	206-001-009-017	CONTROLS INSTL, CYCLIC AND COLLECTIVE	1		
	206-001-009-021	CONTROLS INSTL, CYCLIC AND COLLECTIVE	1		
1	MS17825-5	.NUT (REPLACED BY MS14144L5)	4		
1	MS14144L5	.NUT (REPLACES MS17825-5)	4		
2	AN960C516L	.WASHER	8		
3	NAS1305-27D	.BOLT (REPLACED BY NAS6605D27 AND 20-057-5-27D) . .	2		
3	NAS6605D27	.BOLT (REPLACES NAS1305-27D) (REPLACED BY 20-057-5-27D)	2		
3	20-057-5-27D	.BOLT (REPLACES NAS1305-27D AND NAS6605D27)	2		
4	NAS1305-19D	.BOLT (REPLACED BY NAS6606D19 AND 20-057-5-19D) . .	2		
4	NAS6605D19	.BOLT (REPLACES NAS1305-19D) (REPLACED BY 20-057-5-19D)	2		
4	20-057-5-19D	.BOLT (REPLACES NAS1305-19D AND NAS6605D19)	2		
5	206-001-025-017	.TUBE ASSY, CLEVIS, FLIGHT CONTROLS (USBL ON 206-001-009-005, -009 AND -013) (REPLACED BY 206-001-025-021 AND -019)	2		B
5	206-001-025-021	.TUBE ASSY, CLEVIS, FLIGHT CONTROLS (REPLACES 206-001-025-017) (REPLACED BY 206-001-025-019)	2		
5	206-001-025-019	.TUBE ASSY, CLEVIS, FLIGHT CONTROLS (REPLACES 206-001-025-017 AND -021)	2		
6	AN316-6R	.NUT	1		
7	AN960PD616	.WASHER (REPLACED BY AN960JD616)	1		
7	AN960JD616	.WASHER (REPLACES AN960PD616)	1		
8	206-001-362-003	.CLEVIS (USBL ON 206-001-025-017) (REPLACED BY . . 206-001-362-009)	1		
8	206-001-362-009	.CLEVIS (REPLACES 206-001-362-003)	1		
	206-001-025-015	.TUBE ASSY (USBL ON 206-001-025-017)	1		
	206-001-025-023	.TUBE ASSY (USBL ON 206-001-025-019 AND -021) . . .	1		
9	206-001-347-001	.CLEVIS (USBL ON 206-001-025-015) (REPLACED BY . . 206-001-347-005)	1		
9	206-001-347-101	.CLEVIS (ALTERNATE PART FOR 206-001-362-009) . . . (USBL ON 206-001-025-015) (REPLACED BY 206-001-347-005)	1		
9	206-001-347-005	.CLEVIS (REPLACES 206-001-347-001 AND 206-001-347-101)	1		
9	206-001-347-109	.CLEVIS (ALTERNATE PART FOR 206-001-347-001, . . . -101 AND 206-001-362-009)	1		
10	MS17825-5	.NUT (REPLACED BY MS14144L5)	2		
10	MS14144L5	.NUT (REPLACES MS17825-5)	2		
11	AN960C516L	.WASHER	4		
12	NAS1305-19D	.BOLT (REPLACED BY NAS6605D19 AND 20-057-5-19D) . .	1		
12	NAS6605D19	.BOLT (REPLACES NAS1305-19D) (REPLACED BY 20-057-5-19D)	1		
12	20-057-5-19D	.BOLT (REPLACES NAS1305-19D AND NAS6605D19)	1		
13	NAS1305-16D	.BOLT (REPLACED BY NAS6605D16 AND 20-057-5-16D) . .	1		

(1) INDEX NUMBER	(2) PART NUMBER	(3) ITEM NAME	(4) UNIT PER ASSY	(5) A V A I L	(6) U O C
		FIGURE: 67-6. Controls installation, cyclic and collective (S/N 4 thru 550) (Cont'd)			
13	NAS6605D16	.BOLT (REPLACES NAS1305-16D) (REPLACED BY 20-057-5-16D)	1		
13	20-057-5-16D	.BOLT (REPLACES NAS1305-16D AND NAS6605D16)	1		
14	206-001-024-017	.TUBE ASSY, CLEVIS, FLIGHT CONTROLS (USBL ON 206-001-009-005, -009 AND -013) (REPLACED BY 206-001-024-027 AND -029)	1		B
14	206-001-024-027	.TUBE ASSY, CLEVIS, FLIGHT CONTROLS (REPLACES 206-001-024-017) (REPLACED BY 206-001-024-029)	1		
14	206-001-024-029	.TUBE ASSY, CLEVIS, FLIGHT CONTROLS (REPLACES 206-001-024-017 AND -027)	1		
15	AN316-6R	..NUT	1		
16	AN960PD616	..WASHER (REPLACED BY AN960JD616)	1		
16	AN960JD616	..WASHER (REPLACES AN960PD616)	1		
17	206-001-066-001	..CLEVIS (USBL ON 206-001-024-017) (REPLACED BY . . 206-001-066-005)	1		
17	206-001-066-005	..CLEVIS (REPLACES 206-001-066-001) (ALTERNATE PART)	1		
17	206-001-066-101	..CLEVIS	1		
18	206-001-024-019	..TUBE ASSY (USBL ON 206-001-024-017)	1		B
18	206-001-024-025	..TUBE ASSY (USBL ON 206-001-024-027)	1		
18	206-001-024-031	..TUBE ASSY (USBL ON 206-001-024-029)	1		
19	206-001-362-001	...CLEVIS (USBL ON 206-001-024-019) (REPLACED BY . 206-001-362-007)	1		
19	206-001-362-007	...CLEVIS (REPLACES 206-001-362-001) (ALTERNATE PART)	1		
19	206-001-362-107	...CLEVIS	1		
20	MS17825-5	.NUT (REPLACED BY MS14144L5)	6		
20	MS14144L5	.NUT (REPLACES MS17825-5)	6		
21	AN960C516L	.WASHER	12		
22	NAS1305-19D	.BOLT (REPLACED BY NAS6605D19 AND 20-057-5-19D) . .	2		
22	NAS6605D19	.BOLT (REPLACES NAS1305-19D) (REPLACED BY 20-057-5-19D)	2		
22	20-057-5-19D	.BOLT (REPLACES NAS1305-19D AND NAS6605D19)	2		
23	NAS1305-16D	.BOLT (REPLACED BY NAS6605D16 AND 20-057-5-16D) . .	1		
23	NAS6605D16	.BOLT (REPLACES NAS1305-16D) (REPLACED BY 20-057-5-16D)	1		
23	20-057-5-16D	.BOLT (REPLACES NAS1305-16D AND NAS6605D16)	1		
24	NAS464P5-16	.BOLT (REPLACED BY 20-057-5S16)	3		
24	20-057-5S16	.BOLT (REPLACES NAS464P5-16)	3		
25	206-001-524-009	.TUBE ASSY, CYLINDER EXTENSION (REPLACED BY 206-001-524-017 AND -013)	2		B
25	206-001-524-017	.TUBE ASSY, CYLINDER EXTENSION (REPLACES 206-001-524-009) (REPLACED BY 206-001-524-013)	2		
25	206-001-524-013	.TUBE ASSY, CYLINDER EXTENSION (REPLACES 206-001-524-017 AND -009)	2		
26	206-001-066-003	..CLEVIS, FLIGHT CONTROLS (USBL ON 206-001-524-009) (REPLACED BY 206-001-066-007)	1		B

(1) INDEX NUMBER	(2) PART NUMBER	(3) ITEM NAME	(4) UNIT PER ASSY	(5) A V A I L	(6) U O C
		FIGURE: 67-6. Controls Installation, cyclic and collective (S/N 4 thru 550) (Cont'd)			
26	206-001-066-007	..CLEVIS, FLIGHT CONTROLS (REPLACES 206-001-066-003) (ALTERNATE PART)	1		
26	206-001-066-103	..CLEVIS, FLIGHT CONTROLS	1		
27	206-001-362-001	..CLEVIS, FLIGHT CONTROLS (USBL ON 206-001-524-009) (REPLACED BY 206-001-362-007)	1		B
27	206-001-362-007	..CLEVIS, FLIGHT CONTROLS (REPLACES 206-001-362-001) (ALTERNATE PART)	1		
27	206-001-362-107	..CLEVIS, FLIGHT CONTROLS	1		
28	206-001-524-007	..TUBE ASSY, CYLINDER EXTENSION	1		
29	206-001-524-001	.TUBE ASSY, CYLINDER EXTENSION (REPLACED BY 206-001-524-015)	1		B
29	206-001-524-015	.TUBE ASSY, CYLINDER EXTENSION (REPLACES 206-001-524-001) (ALTERNATE PART)	1		
29	206-001-524-011	.TUBE ASSY, CYLINDER EXTENSION	1		
30	206-001-066-003	..CLEVIS (USBL ON 206-001-524-001) (REPLACED BY . . 206-001-066-007)	2		
30	206-001-066-007	..CLEVIS (REPLACES 206-001-066-003) (ALTERNATE PART)	2		
30	206-001-066-103	..CLEVIS	2		
31	MS17825-6	.NUT (REPLACED BY MS14144L6)	2		
31	MS14144L6	.NUT (REPLACES MS17825-6)	2		
32	NAS1197-616	.WASHER	4		
33	NAS1306-30D	.BOLT (REPLACED BY NAS6606D30 AND 20-057-6-30D) . .	2		
33	NAS6603D30	.BOLT (REPLACES NAS1306-30D) (REPLACED BY 20-057-6-30D)	2		
33	20-057-6-30D	.BOLT (REPLACES NAS1306-30D AND NAS6603D30)	2		
34	206-001-526-001	.BELLCRANK ASSY, CYCLIC CONTROLS	2		
35	DW6	..BEARING (REPLACED BY MS27647-6)	1		
35	MS27647-6	..BEARING (REPLACES DW6)	1		
36	206-010-469-001	..BEARING (REPLACED BY 206-010-470-101)	2		
36	206-010-470-101	..BEARING (REPLACES 206-010-469-001)	2		
37	MS17825-6	.NUT (REPLACED BY MS14144L6)	1		
37	MS14144L6	.NUT (REPLACES MS17825-6)	1		
38	AN960PD616	.WASHER (REPLACED BY AN960JD616)	3		
38	AN960JD616	.WASHER (REPLACES AN960PD616)	3		
39	NAS1306-34D	.BOLT (REPLACED BY NAS6606D34 AND 20-057-6-34D) . .	1		
39	NAS6606D34	.BOLT (REPLACES NAS1306-34D) (REPLACED BY 20-057-6-34D)	1		
39	20-057-6-34D	.BOLT (REPLACES NAS1306-34D AND 20-057-6-34D) . . .	1		
40	206-001-527-001	.BELLCRANK ASSY, COLLECTIVE OUTPUT (USBL ON 206-001-009-005) (REPLACED BY 206-001-527-005, 206-001-538-005 AND -009)	1		A

(1) INDEX NUMBER	(2) PART NUMBER	(3) ITEM NAME	(4) UNIT PER ASSY	(5) A V A I L	(6) U O C
		FIGURE: 67-6. Controls installation, cyclic and collective (S/N 4 thru 550) (Cont'd)			
40	206-001-527-005	.BELLCRANK ASSY, COLLECTIVE OUTPUT (USBL ON 206-001-009-005, -009 AND -013) (REPLACES 206-001-527-001) (REPLACED BY 206-001-538-005 AND -009)	1		B
40	206-001-538-005	.BELLCRANK ASSY, COLLECTIVE OUTPUT (REPLACES 206-001-527-001 AND -005) (REPLACED BY 206-001-538-009)	1		
40	206-001-538-009	.BELLCRANK ASSY, COLLECTIVE OUTPUT (REPLACES 206-001-527-001, -005 AND 206-001-538-005)	1		
41	140-005-30-21-8	..WASHER (USBL ON 206-001-538-009)	2		
42	DW6	..BEARING (REPLACED BY MS27647-6)	1		
42	MS27647-6	..BEARING (REPLACES DW6)	1		
43	206-001-053-003	..BEARING (USBL ON 206-001-527-001) (REPLACED BY . 206-001-053-005)	2		
43	206-001-053-005	..BEARING (REPLACES 206-001-053-003)	2		
44	MS21042L5	.NUT	3		
45	AN96PD516	.WASHER	3		
46	10-003-3	.ADAPTER	1		
47	206-001-528-001	.SUPPORT ASSY	1		
48	22-008-23-25-20	..BUSHING	2		
49	MS21042L4	.NUT	2		
50	NAS1197-416	.WASHER	4		
51	NAS1304-11	.BOLT (REPLACED BY NAS6604-11)	1		
51	NAS6604-11	.BOLT (REPLACES NAS1304-11)	1		
52	NAS1304-12	.BOLT (REPLACED BY NAS6604-12)	1		
52	NAS6604-12	.BOLT (REPLACES NAS1304-12)	1		
53	MS21042L5	.NUT	4		
54	AN960PD516	.WASHER (REPLACED BY AN960JD516)	8		
54	AN960JD516	.WASHER (REPLACES AN960PD516)	8		
55	NAS1305-12	.BOLT (REPLACED BY NAS6605-12)	4		
55	NAS6605-12	.BOLT (REPLACES NAS1305-12)	4		
56	206-001-544-005	.SUPPORT ASSY	1		
57	206-001-544-006	.SUPPORT ASSY	1		
58	22-008-23-19-20	..BUSHING	2		
59	MS27039DD0808	.SCREW	2		
60	MS21042L5	.NUT	2		
61	NAS1197-516L	.WASHER	2		
62	206-001-570-001	.WASHER	4		
63	NAS1197-516	.WASHER	2		
64	NAS1305-11	.BOLT (REPLACED BY NAS6605-11)	2		
64	NAS6605-11	.BOLT (REPLACES NAS1305-11)	2		
65	MS21042L5	.NUT	2		
66	NAS1197-516	.WASHER	6		
67	NAS1305-9	.BOLT (REPLACED BY NAS6605-9)	4		
67	NAS6605-9	.BOLT (REPLACES NAS1305-9)	4		
	206-031-200-001	BEAM INSTL, UPPER CABIN ROOF	REF		
	206-031-200-005	BEAM INSTL, UPPER CABIN ROOF	REF		
	206-031-200-065	BEAM INSTL, UPPER CABIN ROOF	REF		
	206-031-200-007	BEAM INSTL, UPPER CABIN ROOF	REF		

(1) INDEX NUMBER	(2) PART NUMBER	(3) ITEM NAME	(4) UNIT PER ASSY	(5) A V A I L	(6) U O C																					
68	NAS698A5	<p>FIGURE: 67-6. Controls installation, cyclic and collective (S/N 4 thru 550) (Cont'd)</p> <p>.NUTPLATE (REPLACED BY MS21073L5)</p> <p>.NUTPLATE (REPLACES NAS698A5)</p> <p style="text-align: center;">USABLE ON CODES</p> <table border="0" style="margin-left: auto; margin-right: auto;"> <thead> <tr> <th style="text-align: left;">CODE</th> <th style="text-align: left;">MODEL</th> <th style="text-align: left;">SERIAL NUMBER</th> </tr> </thead> <tbody> <tr> <td>A</td> <td>206A</td> <td>4-153</td> </tr> <tr> <td>B</td> <td>206A</td> <td>4-413</td> </tr> <tr> <td>C</td> <td>206A</td> <td>154-413</td> </tr> <tr> <td>D</td> <td>206A</td> <td>414-439</td> </tr> <tr> <td>E</td> <td>206A</td> <td>440-497</td> </tr> <tr> <td>F</td> <td>206A</td> <td>498-550</td> </tr> </tbody> </table> <p>1) UNLESS A USABLE ON PART NUMBER IS LISTED IN THE ITEM NAME COLUMN; NO CODE INDICATES THE PART APPLIES TO ALL SERIAL NUMBERS.</p> <p>2) IF THE SERIAL NUMBER IS BLANK THE PART APPLIES TO ALL SERIAL NUMBERS FOR THAT MODEL.</p>	CODE	MODEL	SERIAL NUMBER	A	206A	4-153	B	206A	4-413	C	206A	154-413	D	206A	414-439	E	206A	440-497	F	206A	498-550	2		
CODE	MODEL	SERIAL NUMBER																								
A	206A	4-153																								
B	206A	4-413																								
C	206A	154-413																								
D	206A	414-439																								
E	206A	440-497																								
F	206A	498-550																								
68	MS21073L5		2																							



206A/B/B3_67_1007
C0000

Figure 67-7. Control installation, cyclic and collective (S/N 551 thru 2622)

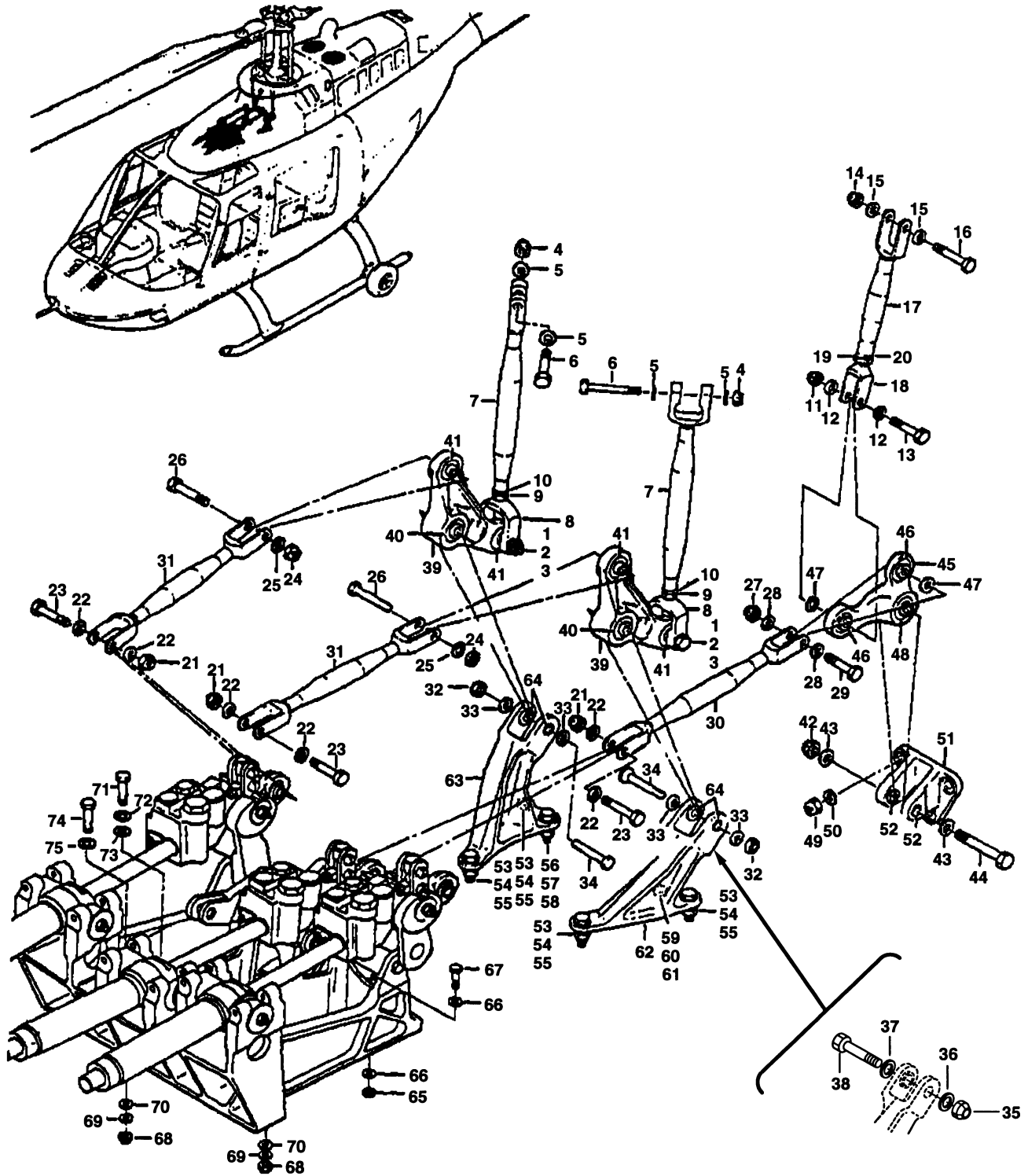
(1) INDEX NUMBER	(2) PART NUMBER	(3) ITEM NAME	(4) UNIT PER ASSY	(5) A V A I L	(6) U O C
		FIGURE: 67-7. Control installation, cyclic and collective (S/ N 551 thru 2622)			
	206-001-041-001	CONTROLS INSTL, CYCLIC AND COLLECTIVE	1		
	206-001-041-005	CONTROLS INSTL, CYCLIC AND COLLECTIVE	1		
	206-001-041-017	CONTROLS INSTL, CYCLIC AND COLLECTIVE	1		
	206-001-041-019	CONTROLS INSTL, CYCLIC AND COLLECTIVE	1		
1	MS17825-5	.NUT (REPLACED BY MS14144L5)	4		
1	MS14144L5	.NUT (REPLACES MS17825-5)	4	1	
2	AN960C516L	.WASHER (REPLACED BY NAS1149C0532R)	8	1	
2	NAS1149C0532R	.WASHER (REPLACES AN960C516L)	8		
3	NAS1305-27D	.BOLT (REPLACED BY NAS6605D27 AND 20-057-5-27D)	2		
3	NAS6605D27	.BOLT (REPLACES NAS1305-27D) (REPLACED BY 20-057-5-27D)	2		
3	20-057-5-27D	.BOLT (REPLACES NAS1305-27D AND NAS6605D27)	2	1	
4	NAS1305-19D	.BOLT (REPLACED BY NAS6605D19 AND 20-057-5-18D)	2		
4	NAS6605D19	.BOLT (REPLACES NAS1305-19D) (REPLACED BY 20-057-5-18D)	2		
4	20-057-5-18D	.BOLT (REPLACES NAS1305-19D AND NAS6605D19)	2	1	
5	206-001-025-021	.TUBE ASSY, CLEVIS, FLIGHT CONTROLS (USBL ON 206-001-041-001) (REPLACED BY 206-001-025-019 AND 206-001-099-001)	2		B
5	206-001-025-019	.TUBE ASSY, CLEVIS, FLIGHT CONTROLS (USBL ON 206-001-041-001 AND -005) (REPLACES 206-001-025-021) (REPLACED BY 206-001-099-001)	2		C
5	206-001-099-001	.TUBE ASSY, CLEVIS, FLIGHT CONTROLS (REPLACES 206-001-025-019 AND -021)	2	1	
6	AN316-6R	..NUT	1	1	
7	AN960PD616	..WASHER (REPLACED BY AN960JD616)	1		
7	AN960JD616	..WASHER (REPLACES AN960PD616) (REPLACED BY NAS1149D0663J)	1		
7	NAS1149D0663J	..WASHER (REPLACES AN960JD616)	1		
8	206-001-362-009	..CLEVIS (ALTERNATE PART)	1	1	
8	206-001-362-109	..CLEVIS	1	6	
	206-001-025-023	..TUBE ASSY (USBL ON 206-001-025-019 AND -021)	1	0	C
	206-001-099-003	..TUBE ASSY (USBL ON 206-001-099-001)	1	6	G
9	206-001-347-005	...CLEVIS (USBL ON 206-001-025-023) (ALTERNATE PART)	1		
9	206-001-347-109	...CLEVIS (USBL ON 206-001-025-023)	1		
9	206-001-347-007	...CLEVIS (USBL ON 206-001-099-003) (ALTERNATE PART)	1		
9	206-001-347-103	...CLEVIS (USBL ON 206-001-099-003)	1		
10	214-001-024-001	...INSERT (USBL ON 206-001-099-003)	1	1	
11	31-031-1	..DECAL (DIRECTIONAL UP)	1	1	
12	MS17825-5	.NUT (REPLACED BY MS14144L5)	2		
12	MS14144L5	.NUT (REPLACES MS17825-5)	2	1	
13	AN960C516L	.WASHER (REPLACED BY NAS1149C0532R)	3	1	
13	NAS1149C0532R	.WASHER (REPLACES AN960C516L)	3		
14	NAS1305-19D	.BOLT (REPLACED BY NAS6605D19 AND 20-057-5-18D)	1		
14	NAS6605D19	.BOLT (REPLACES NAS1305-19D) (REPLACED BY 20-057-5-18D)	1		

(1) INDEX NUMBER	(2) PART NUMBER	(3) ITEM NAME	(4) UNIT PER ASSY	(5) A V A I L	(6) U O C C
		FIGURE: 67-7. Control installation, cyclic and collective (S/ N 551 thru 2622) (Cont'd)			
14	20-057-5-18D	.BOLT (REPLACES NAS1305-19D AND NAS6605D19)	1	1	
15	NAS1305-16D	.BOLT (REPLACED BY NAS6605D16 AND 20-057-5-16D) . .	1		
15	NAS6605D16	.BOLT (REPLACES NAS1305-16D) (REPLACED BY 20-057-5-16D)	1		
15	20-057-5-16D	.BOLT (REPLACES NAS1305-16D AND NAS6605D16)	1	1	
16	206-001-024-027	.TUBE ASSY, CLEVIS, FLIGHT CONTROLS	1		D
16	206-001-024-029	.TUBE ASSY, CLEVIS, FLIGHT CONTROLS (REPLACED BY . . 206-001-189-001)	1		E
16	206-001-189-001	.TUBE ASSY, CLEVIS, FLIGHT CONTROLS (REPLACES 206-001-024-029)	1	1	E
17	AN316-6R	..NUT	1	1	
18	AN960PD616	..WASHER (REPLACED BY AN960JD616)	1		
18	AN960JD616	..WASHER (REPLACES AN960PD616) (REPLACED BY NAS1149D0663J)	1		
18	NAS1149D0663J	..WASHER (REPLACES AN960JD616)	1		
19	206-001-066-005	..CLEVIS (ALTERNATE PART)	1	0	
19	206-001-066-101	..CLEVIS	1	1	
	206-001-024-025	..TUBE ASSY (USBL ON 206-001-024-027)	1		D
	206-001-024-031	..TUBE ASSY (USBL ON 206-001-024-029)	1		E
	206-001-189-003	..TUBE ASSY (USBL ON 206-001-189-001)	1	6	E
20	206-001-362-007	..CLEVIS (USBL ON 206-001-024-025) (ALTERNATE PART)	1	1	
20	206-001-362-107	..CLEVIS (USBL ON 206-001-024-025)	1	6	
20	206-001-362-011	..CLEVIS (USBL ON 206-001-189-003) (ALTERNATE PART)	1		
20	206-001-362-111	..CLEVIS (USBL ON 206-001-189-003)	1	6	
21	214-001-024-001	..INSERT (USBL ON 206-001-189-003)	1	1	
22	MS17825-5	.NUT (REPLACED BY MS14144L5)	4		
22	MS14144L5	.NUT (REPLACES MS17825-5)	4	1	
23	AN960C516L	.WASHER (REPLACED BY NAS1149C0532R)	6	1	
23	NAS1149C0532R	.WASHER (REPLACES AN960C516L)	6		
24	NAS464P5-16	.BOLT (REPLACED BY 20-057-5S16)	2		
24	20-057-5S16	.BOLT (REPLACES NAS464P5-16)	2		
25	NAS1305-19D	.BOLT (REPLACED BY NAS6605D19 AND 20-057-5-18D) . .	2		
25	NAS6605D19	.BOLT (REPLACES NAS1305-19D) (REPLACED BY 20-057-5-18D)	2		
25	20-057-5-18D	.BOLT (REPLACES NAS1305-19D AND NAS6605D19)	2	1	
26	206-001-524-017	.TUBE ASSY, CYLINDER EXTENSION (USBL ON 206-001-041-001) (REPLACED BY 206-001-524-013 AND 206-001-194-005)	2		B
26	206-001-524-013	.TUBE ASSY, CYLINDER EXTENSION (USBL ON 206-001-041-001 AND -005) (REPLACES 206-001-524-017) (REPLACED BY 206-001-194-005)	2		C
26	206-001-194-005	.TUBE ASSY, CYLINDER EXTENSION (REPLACES 206-001-524-013 AND -017)	2	1	
27	206-001-362-007	..CLEVIS (ALTERNATE PART)	1	1	
27	206-001-362-107	..CLEVIS	1	6	

(1) INDEX NUMBER	(2) PART NUMBER	(3) ITEM NAME	(4) UNIT PER ASSY	(5) A V A I L	(6) U O C
		FIGURE: 67-7. Control installation, cyclic and collective (S/ N 551 thru 2622) (Cont'd)			
28	206-001-066-007	..CLEVIS (ALTERNATE PART)	1	1	
28	206-001-066-103	..CLEVIS	1		
29	MS17826-5	.NUT (REPLACED BY MS14145L5)	2	0	
29	MS14145L5	.NUT (REPLACES MS17826-5)	2	1	
30	AN960C516L	.WASHER (REPLACED BY NAS1149C0532R)	4	1	
30	NAS1149C0532R	.WASHER (REPLACES AN960C516L)	4		
31	NAS464P516	.BOLT (REPLACED BY 20-057-5S16D)	1		
31	20-057-5S16D	.BOLT (REPLACES NAS464P516)	1	1	
32	NAS1305-16D	.BOLT (REPLACES NAS6605D16 AND 20-057-5-16D)	1		
32	NAS6605D16	.BOLT (REPLACES NAS1305-16D) (REPLACED BY 20-057-5-16D)	1		
32	20-057-5-16D	.BOLT (REPLACES NAS1305-16D AND NAS6605D16)	1	1	
33	206-001-524-015	.TUBE ASSY, CYLINDER EXTENSION (USBL ON 206-001-041-001) (REPLACED BY 206-001-524-011 AND 206-001-194-001)	1		B
33	206-001-524-011	.TUBE ASSY, CYLINDER EXTENSION (USBL ON 206-001-041-001 AND -005) (REPLACES 206-001-524-015) (REPLACED BY 206-001-194-001)	1		C
33	206-001-194-001	.TUBE ASSY, CYLINDER EXTENSION (REPLACES 206-001-524-011 AND -015)	1	1	
34	206-001-066-007	..CLEVIS (ALTERNATE PART)	2	1	
34	206-001-066-103	..CLEVIS	2		
35	MS17825-6	.NUT (REPLACED BY MS14144L6)	2	0	
35	MS14144L6	.NUT (REPLACES MS17825-6)	2	1	
36	140-007-25-20B3	.WASHER	4	1	
37	NAS1306-31D	.BOLT (REPLACES NAS6606D31 AND 20-057-6-31D)	2		
37	NAS6606D31	.BOLT (REPLACES NAS1306-31D) (REPLACED BY 20-057-6-31D)	2		
37	20-057-6-31D	.BOLT (REPLACES NAS1306-31D AND NAS6606D31)	2	1	
38	206-001-526-001	.BELLCRANK ASSY	2	1	
39	DW6	..BEARING (REPLACED BY MS27647-6)	1		
39	MS27647-6	..BEARING (REPLACES DW6)	1	1	
40	206-010-469-001	..BEARING (REPLACED BY 206-010-470-101)	2	0	
40	206-010-470-101	..BEARING (REPLACES 206-010-469-001)	2	1	
41	MS17825-6	.NUT (REPLACED BY MS14144L6)	1	0	
41	MS14144L6	.NUT (REPLACES MS17825-6)	1	1	
42	140-007-25-20B3	.WASHER	2	1	
43	NAS1306-34D	.BOLT (REPLACED BY NAS6606D34 AND 20-057-6-34D)	1	0	
43	NAS6606D34	.BOLT (REPLACES NAS1306-34D) (REPLACED BY 20-057-6-34D)	1		
43	20-057-6-34D	.BOLT (REPLACES NAS1306-34D AND NAS6606D34)	1	1	
44	206-001-538-009	.BELLCRANK ASSY	1	1	
45	206-001-053-005	..BEARING	2	1	
46	DW6	..BEARING (REPLACED BY MS27647-6)	1		
46	MS27647-6	..BEARING (REPLACES DW6)	1	1	
47	MS21042L5	.NUT	3	1	
48	AN960PD516	.WASHER (REPLACED BY AN960JD516)	3		

(1) INDEX NUMBER	(2) PART NUMBER	(3) ITEM NAME	(4) UNIT PER ASSY	(5) A V A I L	(6) U O C
		FIGURE: 67-7. Control installation, cyclic and collective (S/ N 551 thru 2622) (Cont'd)			
48	AN960JD516	.WASHER (REPLACES AN960PD516) (REPLACED BY NAS1149D0563J)	3	1	
48	NAS1149D0563J	.WASHER (REPLACES AN960JD516)	3	1	
49	10-003-3	.ADAPTER	1	1	A
50	206-001-528-001	.SUPPORT ASSY	1	1	
51	22-008-23-25-20	.BUSHING	2	1	
52	MS21042L5	.NUT	4	1	
53	AN960PD516	.WASHER (REPLACES BY AN960JD516)	8		
53	AN960JD516	.WASHER (REPLACES AN960PD516) (REPLACED BY NAS1149D0563J)	8	1	
53	NAS1149D0563J	.WASHER (REPLACES AN960JD516)	8	1	
54	NAS1305-12	.BOLT (REPLACED BY NAS6605-12)	4		
54	NAS6605-12	.BOLT (REPLACES NAS1305-12)	4	1	
55	MS21042L4	.NUT	2	1	
56	AN960PD416	.WASHER (REPLACED BY AN960JD416)	4		
56	AN960JD416	.WASHER (REPLACES AN960PD416) (REPLACED BY NAS1149D0463J)	4		
56	NAS1149D0463J	.WASHER (REPLACES AN960JD416)	4		
57	NAS1304-11	.BOLT (REPLACED BY NAS6604-11)	1		
57	NAS6604-11	.BOLT (REPLACES NAS1304-11)	1	1	
58	NAS1304-12	.BOLT (REPLACED BY NAS6604-12)	1		
58	NAS6604-12	.BOLT (REPLACES NAS1304-12)	1	1	
59	206-001-544-005	.SUPPORT ASSY, LH (REPLACED BY 206-001-544-101) . . (ALTERNATE PART)	1		
59	206-001-544-009	.SUPPORT ASSY, LH	1	6	
59	206-001-544-101	.SUPPORT ASSY (REPLACES 206-001-544-005)	1	1	
60	206-001-544-006	.SUPPORT ASSY, RH (REPLACED BY 206-001-544-102) . . (ALTERNATE PART)	1	0	
60	206-001-544-010	.SUPPORT ASSY, RH	1	6	
60	206-001-544-102	.SUPPORT ASSY, RH (REPLACES 206-001-544-006)	1	1	
61	22-008-23-19-20	.BUSHING	2	1	
62	MS27039DD0808	.SCREW	2	1	
63	MS21042L5	.NUT	2	1	
64	NAS1197-516	.WASHER	6	1	
65	NAS1305-9	.BOLT (REPLACED BY NAS6605-9)	4		
65	NAS6605-9	.BOLT (REPLACES NAS1305-9)	4	1	
66	MS21042L5	.NUT	2	1	
67	NAS1197-516	.WASHER	2	1	
68	NAS1197-516L	.WASHER	2	1	
69	206-001-570-001	.WASHER	2	1	
70	NAS1305-11	.BOLT (REPLACED BY NAS6605-11)	2		
70	NAS6605-11	.BOLT (REPLACES NAS1305-11)	2	1	
	206-001-041-003	.CYLINDER AND SUPPORT ASSY (SEE FIG. 10 AND 11 FOR . BREAKDOWN) (USBL ON 206-001-041-001)	1		B
	206-001-041-007	.CYLINDER AND SUPPORT ASSY (SEE FIG. 10 AND 11 FOR . BREAKDOWN) (USBL ON 206-001-041-005)	1	0	F
	206-001-041-015	.CYLINDER AND SUPPORT ASSY (SEE FIG. 10 AND 11 FOR . BREAKDOWN) (USBL ON 206-001-041-017 AND -019)	1		G
	206-031-200-007	BEAM INSTL, UPPER CABIN ROOF	REF	0	

(1) INDEX NUMBER	(2) PART NUMBER	(3) ITEM NAME	(4) UNIT PER ASSY	(5) A V A I L	(6) U O C
		FIGURE: 67-7. Control installation, cyclic and collective (S/ N 551 thru 2622) (Cont'd)			
	206-031-200-005	BEAM INSTL, UPPER CABIN ROOF	REF		
	206-031-200-009	BEAM INSTL, UPPER CABIN ROOF	REF	0	
71	NAS698A5	.NUTPLATE (REPLACED BY MS21073L5)	2		
71	MS21073L5	.NUTPLATE (REPLACES NAS698A5)	2		
		USABLE ON CODES			
		CODE MODEL SERIAL NUMBER			
		A 206A 551-583			
		B 206A/B 551-913			
		C 206A/B 551-1662			
		D 206A/B 551-660, 672-715			
		E 206A/B/BIII 661-671, 716-2622			
		F 206B 914-1662			
		G 206B/BIII 1663-2622			
		1) UNLESS A USABLE ON PART NUMBER IS LISTED IN THE ITEM NAME COLUMN; NO CODE INDICATES THE PART APPLIES TO ALL SERIAL NUMBERS.			
		2) IF THE SERIAL NUMBER IS BLANK THE PART APPLIES TO ALL SERIAL NUMBERS FOR THAT MODEL.			



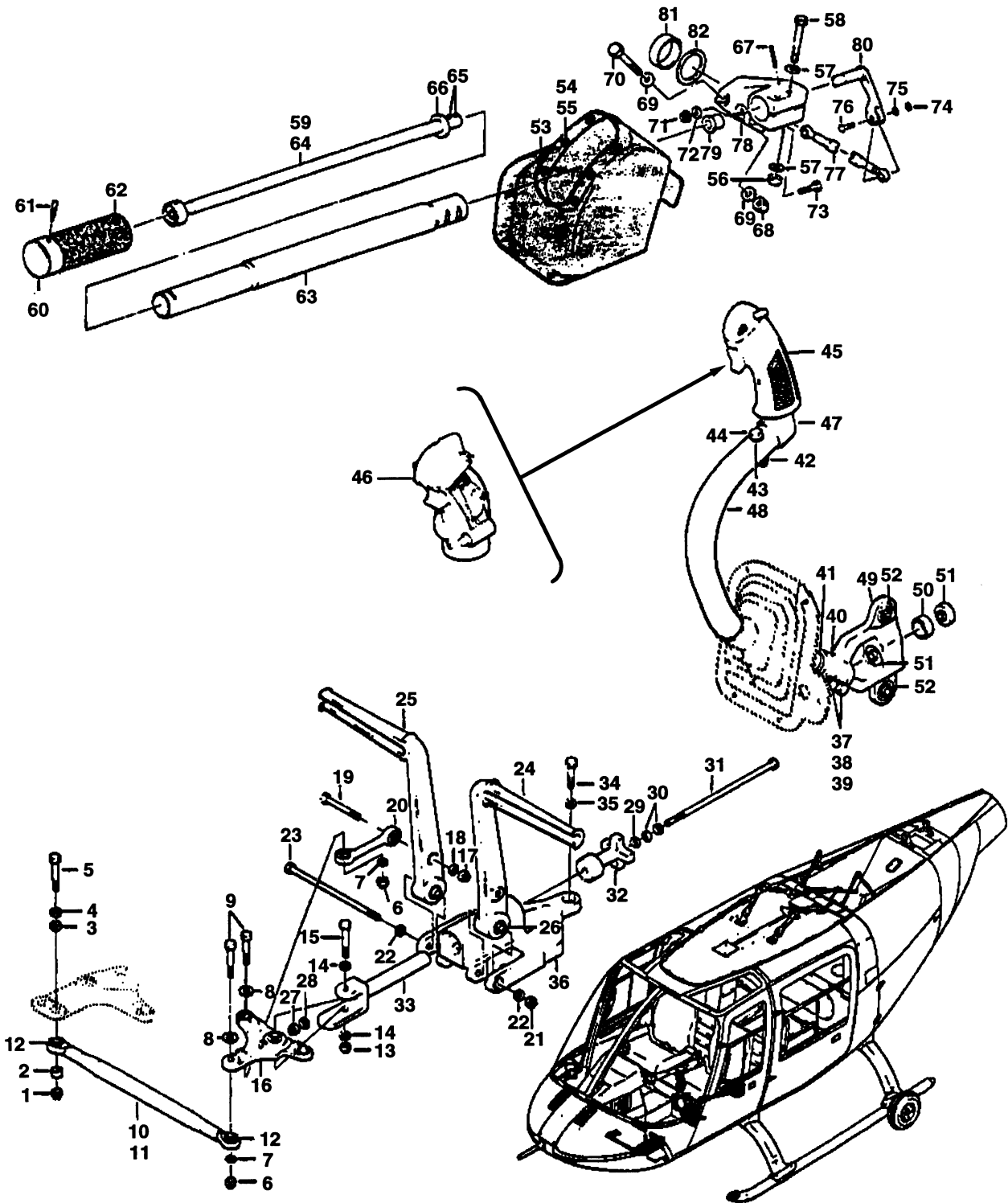
206A/B/B3-67-1008
C0000

Figure 67-8. Controls installation, cyclic and collective (S/N 2623 thru SUB)

(1) INDEX NUMBER	(2) PART NUMBER	(3) ITEM NAME	(4) UNIT PER ASSY	(5) A V A I L	(6) U O C
		FIGURE: 67-8. Controls Installation, cyclic and collective (S/N 2623 thru SUB)			
	206-001-045-001	CONTROLS INSTL, CYCLIC AND COLLECTIVE	1		
	206-001-045-101	CONTROLS INSTL, CYCLIC AND COLLECTIVE	1		
	206-001-045-103	CONTROLS INSTL, CYCLIC AND COLLECTIVE	1		
1	MS17825-5	.NUT (REPLACED BY MS14144L5)	2		
1	MS14144L5	.NUT (REPLACES MS17825-5)	2		
2	AN960C516	.WASHER	2		
3	20-057-5-18D	.BOLT	2		
4	MS17825-5	.NUT (REPLACED BY MS14144L5)	2		
4	MS14144L5	.NUT (REPLACES MS17825-5)	2		
5	AN960C516L	.WASHER	4		
6	20-057-5-27D	.BOLT	2		
7	206-001-099-001	.TUBE ASSY	2		
8	206-001-362-009	..CLEVIS	1		
		(ALTERNATE PART)			
8	206-001-362-109	..CLEVIS	1		
9	AN316-6R	..NUT	1		
10	AN960PD616	..WASHER (REPLACED BY AN960JD616)	1		
10	AN960JD616	..WASHER (REPLACES AN960PD616)	1		
11	MS17825-5	.NUT (REPLACED BY MS14144L5)	1		
11	MS14144L5	.NUT (REPLACES MS17825-5)	1		
12	AN960C516L	.WASHER	2		
13	20-057-5-16D	.BOLT	1		
14	MS17825-5	.NUT (REPLACED BY MS14144L5)	1		
14	MS14144L5	.NUT (REPLACES MS17825-5)	1		
15	AN960C516	.WASHER	2		
16	20-057-5-18D	.BOLT	1		
17	206-001-189-001	.TUBE ASSY	1		
18	206-001-066-005	..CLEVIS	1		
		(ALTERNATE PART)			
18	206-001-066-101	..CLEVIS	1		
19	AN316-6R	..NUT	1		
20	AN960PD616	..WASHER (REPLACED BY AN960JD616)	1		
20	AN960JD616	..WASHER (REPLACES AN960PD616)	1		
21	MS17825-5	.NUT (REPLACED BY MS14144L5)	3		
21	MS14144L5	.NUT (REPLACES MS17825-5)	3		
22	AN960C516	.WASHER	6		
23	20-057-5-17D	.BOLT	3		
24	MS17825-5	.NUT (REPLACED BY MS14144L5)	2		
24	MS14144L5	.NUT (REPLACES MS17825-5)	2		
25	AN960C516L	.WASHER	2		
26	20-057-5-18D	.BOLT	2		
27	MS17825-5	.NUT (REPLACED BY MS14144L5)	1		
27	MS14144L5	.NUT (REPLACES MS17825-5)	1		
28	AN960C516L	.WASHER	2		
29	20-057-5-16D	.BOLT	1		
30	206-001-194-001	.TUBE	1		
31	206-001-194-005	.TUBE ASSY	2		
32	MS17825-6	.NUT (REPLACED BY MS14144L6) (USBL ON 206-001-045-001)	2		A

(1) INDEX NUMBER	(2) PART NUMBER	(3) ITEM NAME	(4) UNIT PER ASSY	(5) A V A I L	(6) U O C
		FIGURE: 67-8. Controls installation, cyclic and collective (S/N 2623 thru SUB) (Cont'd)			
32	MS14144L6	.NUT (REPLACES MS17825-6) (USBL ON 206-001-045-001)	2		A
33	140-007-25-20B3	.WASHER (USBL ON 206-001-045-001)	4		A
34	20-057-6-31D	.BOLT (USBL ON 206-001-045-001)	2		A
35	MS17826-6	.NUT (REPLACED BY MS14145L6) (USBL ON 206-001-045-101 AND -103)	1		C
35	MS14145L6	.NUT (REPLACES MS17826-6) (USBL ON 206-001-045-101 AND -103)	1		C
36	AN960PD616	.WASHER (REPLACED BY AN960JD616) (USBL ON 206-001-045-101 AND -103)	1		C
36	AN960JD616	.WASHER (REPLACES AN960PD616) (USBL ON 206-001-045-101 AND -103)	1		C
37	206-001-575-101	.WASHER (USBL ON 206-001-045-101 AND -103)	1		C
38	NAS1206-32D	.BOLT (USBL ON 206-001-045-101 AND -103)	1		C
39	206-001-526-001	.BELLCRANK ASSY	2		
40	DW6	..BEARING (REPLACED BY MS27647-6) (USBL ON 206-001-045-001)	1		
40	MS27647-6	..BEARING (REPLACES DW6) (USBL ON 206-001-045-001)	1		
41	206-010-469-001	..BEARING (REPLACED BY 206-010-470-101)	2		
41	206-010-470-101	..BEARING (REPLACES 206-010-469-001)	2		
42	MS17825-6	.NUT (REPLACED BY MS14144L6)	1		
42	MS14144L6	.NUT (REPLACES MS17825-6)	1		
43	140-007-25-20B3	.WASHER	2		
44	20-057-6-34D	.BOLT	1		
45	206-001-538-009	.BELLCRANK ASSY	1		
46	206-001-053-005	..BEARING	2		
47	140-005-30-21-8	..WASHER	2		
48	DW6	..BEARING (REPLACED BY MS27647-6)	1		
48	MS27647-6	..BEARING (REPLACES DW6)	1		
49	MS21042L5	.NUT	3		
50	AN960PD516	.WASHER (REPLACED BY AN960JD516)	3		
50	AN960JD516	.WASHER (REPLACES AN960PD516)	3		
51	206-001-528-001	.SUPPORT ASSY	1		
52	22-008-23-25-20	..BUSHING	2		
53	MS21042L5	.NUT	4		
54	AN960PD516	.WASHER (REPLACED BY AN960JD516)	8		
54	AN960JD516	.WASHER (REPLACES AN960PD516)	8		
55	NAS1305-12	.BOLT (REPLACED BY NAS6605-12)	4		
55	NAS6605-12	.BOLT (REPLACES NAS1305-12)	4		
56	MS21042L4	.NUT	1		
57	AN960PD416	.WASHER (REPLACED BY AN960JD416)	2		
57	AN960JD416	.WASHER (REPLACES AN960PD416)	2		
58	NAS1304-11	.BOLT (REPLACED BY NAS6604-11)	1		
58	NAS6604-11	.BOLT (REPLACES NAS1304-11)	1		
59	MS21042L4	.NUT	1		
60	AN960PD416	.WASHER (REPLACED BY AN960JD416)	2		
60	AN960JD416	.WASHER (REPLACES AN960PD416)	2		
61	NAS1304-12	.BOLT (REPLACED BY NAS6604-12)	1		

(1) INDEX NUMBER	(2) PART NUMBER	(3) ITEM NAME	(4) UNIT PER ASSY	(5) A V A I L	(6) U O C															
FIGURE: 67-8. Controls Installation, cyclic and collective (S/N 2623 thru SUB) (Cont'd)																				
61	NAS6604-12	.BOLT (REPLACES NAS1304-12)	1																	
62	206-001-544-005	.SUPPORT ASSY, LH (REPLACED BY 206-001-544-101) . .	1																	
62	206-001-544-101	.SUPPORT ASSY, LH (REPLACES 206-001-544-005)	1																	
63	206-001-544-006	.SUPPORT ASSY, RH (REPLACED BY 206-001-544-102) . .	1																	
63	206-001-544-102	.SUPPORT ASSY, RH (REPLACES 206-001-544-006)	1																	
64	22-008-23-19-20	.BUSHING	2																	
65	MS21042L5	.NUT	2																	
66	AN960PD516	.WASHER (REPLACED BY AN960JD516)	4																	
66	AN960JD516	.WASHER (REPLACES AN960PD516)	4																	
67	NAS1305-11	.BOLT (REPLACED BY NAS6605-11)	2																	
67	NAS6605-11	.BOLT (REPLACES NAS1305-11)	2																	
68	MS21042L5	.NUT	2																	
69	AN960PD516	.WASHER (REPLACED BY AN960JD516)	2																	
69	AN960JD516	.WASHER (REPLACES AN960PD516)	2																	
70	120-038E16-10	.SHIM (NOTE 1)	2																	
71	NAS1305-12	.BOLT (REPLACED BY NAS6605-12)	2																	
71	NAS6605-12	.BOLT (REPLACES NAS1305-12)	2																	
72	AN960PD516	.WASHER (REPLACED BY AN960JD516)	2																	
72	AN960JD516	.WASHER (REPLACES AN960PD516)	2																	
73	120-038E16-10	.SHIM (NOTE 1)	2																	
74	NAS1305-12	.BOLT (REPLACED BY NAS6605-12)	2																	
74	NAS6605-12	.BOLT (REPLACES NAS1305-12)	2																	
75	AN960PD516	.WASHER (REPLACED BY AN960JD516)	2																	
75	AN960JD516	.WASHER (REPLACES AN960PD516)	2																	
NOTE 1: DETERMINE THE SHIM THICKNESS FOR EACH OF THE FOUR BOLT HOLES SO THERE IS NO GREATER THAN 0.001 GAP AT EACH HOLE																				
<p>USABLE ON CODES</p> <table border="0"> <thead> <tr> <th>CODE</th> <th>MODEL</th> <th>SERIAL NUMBER</th> </tr> </thead> <tbody> <tr> <td>A</td> <td>206BIII</td> <td>2663-2893</td> </tr> <tr> <td>B</td> <td>206BIII</td> <td>2623-3446</td> </tr> <tr> <td>C</td> <td>206BIII</td> <td>2894-SUB</td> </tr> <tr> <td>D</td> <td>206BIII</td> <td>3447-SUB</td> </tr> </tbody> </table>						CODE	MODEL	SERIAL NUMBER	A	206BIII	2663-2893	B	206BIII	2623-3446	C	206BIII	2894-SUB	D	206BIII	3447-SUB
CODE	MODEL	SERIAL NUMBER																		
A	206BIII	2663-2893																		
B	206BIII	2623-3446																		
C	206BIII	2894-SUB																		
D	206BIII	3447-SUB																		
<p>1) UNLESS A USABLE ON PART NUMBER IS LISTED IN THE ITEM NAME COLUMN; NO CODE INDICATES THE PART APPLIES TO ALL SERIAL NUMBERS.</p> <p>2) IF THE SERIAL NUMBER IS BLANK THE PART APPLIES TO ALL SERIAL NUMBERS FOR THAT MODEL.</p>																				



206A/B/B3-67-1009
C0000

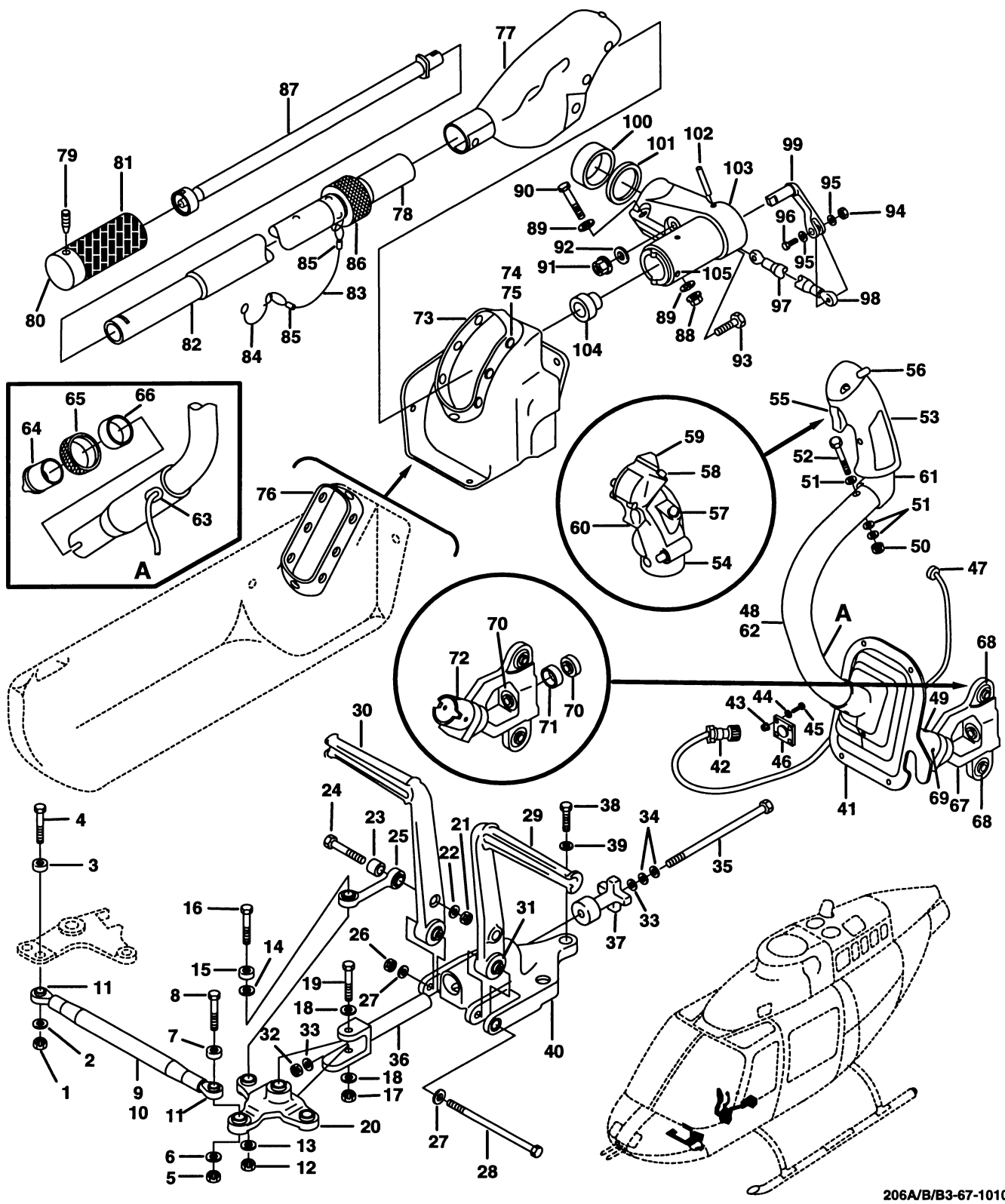
Figure 67-9. Dual controls kit

(1) INDEX NUMBER	(2) PART NUMBER	(3) ITEM NAME	(4) UNIT PER ASSY	(5) A V A I L	(6) U O C
		FIGURE: 67-9. Dual controls kit			
	206-706-006-001	DUAL CONTROLS KIT (NOTE 1) (REPLACED BY 206-706-006-003, -007, 206-706-127-001 AND -115)	1		A
	206-706-006-003	DUAL CONTROLS KIT (NOTE 1) (REPLACES 206-706-006-001) (REPLACED BY 206-706-006-007, 206-706-127-001 AND -115)	1		A
	206-706-006-005	DUAL CONTROLS KIT (REPLACED BY 206-706-006-007) . .	1		A
	206-706-006-007	DUAL CONTROLS KIT (NOTE 1) (REPLACES 206-706-006-001, -003 AND -005) (REPLACED BY 206-706-127-001 AND -115)	1		A
1	MS17825-4	.NUT (REPLACED BY MS14144L4)	1	0	
1	MS14144L4	.NUT (REPLACES MS17825-4)	1	1	
2	NAS43DD4-16	.SPACER	1		
3	50Z12-9-2	.SPACER	1	1	
4	AN960PD416	.WASHER (REPLACED BY AN960JD416)	1		
4	AN960JD416	.WASHER (REPLACES AN960PD416) (REPLACED BY NAS1149D0463J)	1		
4	NAS1149D0463J	.WASHER (REPLACES AN960JD416)	1		
5	AN174-14	.BOLT	1	1	
6	MS17825-4	.NUT (REPLACED BY MS14144L4)	3	0	
6	MS14144L4	.NUT (REPLACES MS17825-4)	3	1	
7	AN960PD416	.WASHER (REPLACED BY AN960JD416)	3		
7	AN960JD416	.WASHER (REPLACES AN960PD416) (REPLACED BY NAS1149D0463J)	3		
7	NAS1149D0463J	.WASHER (REPLACES AN960JD416)	3		
8	50Z12-9-2	.SPACER	3	1	
9	AN174-12	.BOLT	3	1	
10	206-001-020-001	.TUBE ASSY (USBL ON 206-706-006-001) (REPLACED . . . BY 206-001-020-047)	1		C
10	206-001-020-047	.TUBE ASSY (REPLACES 206-001-020-001)	1	0	
11	206-001-020-003	.TUBE	1		
12	206-001-055-001	.BEARING	2	1	
13	MS17825-4	.NUT (REPLACED BY MS14144L4)	1	0	
13	MS14144L4	.NUT (REPLACES MS17825-4)	1	1	
14	AN960PD416	.WASHER (REPLACED BY AN960JD416)	2		
14	AN960JD416	.WASHER (REPLACES AN960PD416) (REPLACED BY NAS1149D0463J)	2		
14	NAS1149D0463J	.WASHER (REPLACES AN960JD416)	2		
15	AN174-17	.BOLT	1	1	
16	206-001-702-001	.BELLCRANK ASSY (USBL ON 206-706-006-001) (REPLACED BY 206-001-702-005)	1		A
16	206-001-702-005	.BELLCRANK ASSY (REPLACES 206-001-702-001)	1	1	
17	MS17825-4	.NUT (REPLACED BY MS14144L4)	2	0	
17	MS14144L4	.NUT (REPLACES MS17825-4)	2	1	
18	AN960PD416	.WASHER (REPLACED BY AN960JD416)	2		
18	AN960JD416	.WASHER (REPLACES AN960PD416) (REPLACED BY NAS1149D0463J)	2		
18	NAS1149D0463J	.WASHER (REPLACES AN960JD416)	2		
19	AN174-12	.BOLT	2	1	
20	206-001-701-001	.LINK ASSY	2	1	
21	MS17825-5	.NUT (REPLACED BY MS14144L5)	1		

(1) INDEX NUMBER	(2) PART NUMBER	(3) ITEM NAME	(4) UNIT PER ASSY	(5) A V A I L	(6) U O C
FIGURE: 67-9. Dual controls kit (Cont'd)					
21	MS14144L5	.NUT (REPLACES MS17825-5)	1	1	
22	NAS1197-516	.WASHER	2	1	
23	AN175-46	.BOLT	1	1	
24	206-001-703-001	.PEDAL ASSY, LH	1	1	
25	206-001-703-002	.PEDAL ASSY, RH	1	1	
26	DW5	..BEARING (REPLACED BY MS27647-5)	1	0	
26	MS27647-5	..BEARING (REPLACES DW5)	1	1	
27	MS17825-4	.NUT (REPLACES BY MS14144L4)	1	0	
27	MS14144L4	.NUT (REPLACES MS17825-4)	1	1	
28	AN960PD416	.WASHER (REPLACED BY AN960JD416)	1		
28	AN960JD416	.WASHER (REPLACES AN960PD416) (REPLACED BY NAS1149D0463J)	1		
28	NAS1149D0463J	.WASHER (REPLACES AN960JD416)	1		
29	NAS1197-416	.WASHER	1	1	
30	500-25	.WASHER (REPLACED BY B0500-025)	2		
30	B0500-025	.WASHER (REPLACES 500-25)	2	1	
31	AN4-64	.BOLT	1	1	
32	206-001-709-001	.KNOB	1	1	
33	206-001-706-003	.CLEVIS	1	1	
34	AN4-10A	.BOLT	3	1	
35	NAS1197-416	.WASHER	3	1	
36	206-001-713-001	.PEDAL SUPPORT	1		
37	NAS679A4	.NUT (REPLACED BY MS21042L4)	2	0	
37	MS21042L4	.NUT (REPLACES NAS679A4)	2	1	
38	AN960PD416	.WASHER (REPLACED BY AN960JD416)	4		
38	AN960JD416	.WASHER (REPLACES AN960PD416) (REPLACED BY NAS1149D0463J)	4		
38	NAS1149D0463J	.WASHER (REPLACES AN960JD416)	4		
39	AN4-21A	.BOLT	2	1	
40	206-075-301-003	.CLAMP (MAKE FROM MS21919WD4)	1	1	
40	MS21919WD4	.CLAMP	1		
41	MS35489-6	.GROMMET	1	1	
41	206-001-344-001	.STICK ASSY	1	0	
42	22K2-048	..NUT (REPLACED BY 90-003-40)	1		
42	90-003-40	..NUT (REPLACES 22K2-048)	1	1	
43	AN960PD416	..WASHER (REPLACED BY AN960JD416)	3		
43	AN960JD416	..WASHER (REPLACES AN960PD416) (REPLACED BY NAS1149D0463J)	3		
43	NAS1149D0463J	..WASHER (REPLACES AN960JD416)	3		
44	AN24-26A	..BOLT	1	1	
45	206-001-359-001	..GRIP ASSY (SEE FIG. 10 FOR BREAKDOWN) (ALTERNATE PART)	1	1	
46	21110-1	..GRIP ASSY (SEE FIG. 10 FOR BREAKDOWN)	1	0	
47	206-001-343-001	..ELBOW	1		
48	206-001-342-001	..TUBE ASSY	1	1	
49	206-001-339-001	.LEVER ASSY (USBL ON 206-706-006-001, -003) (REPLACED BY 206-001-339-015)	1		C
49	206-001-339-015	.LEVER ASSY (REPLACES 206-001-339-001)	1	1	
50	206-001-339-009	..SPACER	1	6	
51	MS20200KP4	..BEARING (REPLACED BY MS27640-4)	2	0	

(1) INDEX NUMBER	(2) PART NUMBER	(3) ITEM NAME	(4) UNIT PER ASSY	(5) A V A I L	(6) U O C
		FIGURE: 67-9. Dual controls kit (Cont'd)			
51	MS27640-4	.. BEARING (REPLACES MS20200KP4)	2	1	
52	206-001-053-001	.. BEARING (USBL ON 206-001-339-001)	2		
52	206-001-053-005	.. BEARING (USBL ON 206-001-339-015)	2	1	
53	206-001-015-001	. COVER	1	1	
54	AN227-13B	.. STUD (REPLACED BY MS27981-4B)	8		
54	MS27981-4B	.. STUD (REPLACES AN227-13B)	8	1	
55	AN227-14B	.. EYELET (REPLACED BY MS27981-5B)	8		
55	MS27981-5B	.. EYELET (REPLACES AN227-14B)	8	1	
56	NAS679A4	. NUT (REPLACED BY MS21042L4)	2	0	
56	MS21042L4	. NUT (REPLACES NAS679A4)	2	1	
57	AN960PD416	. WASHER (REPLACED BY AN960JD416)	4		
57	AN960JD416	. WASHER (REPLACES AN960PD416) (REPLACED BY NAS1149D0463J)	4		
57	NAS1149D0463J	. WASHER (REPLACES AN960JD416)	4		
58	AN174-17A	. BOLT	2	1	
59	206-001-120-005	. STICK ASSY, COLLECTIVE PITCH (USBL ON 206-706-006-001, -003 AND -005)	1		D
59	206-001-120-007	. STICK ASSY, COLLECTIVE PITCH (USBL ON 206-706-006-007)	1	1	E
60	SS50834K2215	.. PLUG BUTTON (REPLACED BY 100-046S96A1)	1	0	
60	100-046S96A1	.. PLUG BUTTON (REPLACES SS50834K2215)	1	1	
61	206-001-164-001	.. SCREW	1	1	
62	206-001-107-013	.. GRIP ASSY	1	1	
63	206-001-109-003	.. TUBE	1	6	
64	206-001-104-011	.. TUBE ASSY (USBL ON 206-001-120-005)	1		D
64	206-001-142-001	.. TUBE ASSY (USBL ON 206-001-120-007)	1		E
65	MS20392-1-17	... PIN (USBL ON 206-001-104-011) (REPLACED BY MS20392-1C17)	2	0	
65	MS20392-1C17	... PIN (USBL ON 206-001-104-011) (REPLACES MS20392-1-17) (REPLACED BY MS20392-1S17)	2		
65	MS20392-1S17	... PIN (USBL ON 206-001-104-011) (REPLACES MS20392-1C17)	2	1	
66	140-005-18-15-8	... WASHER	1		
67	MS171500	. PIN (REPLACED BY NAS561C3-12)	1	0	
67	NAS561C3-12	. PIN (REPLACES MS171500)	1	1	
68	NAS679A4	. NUT (REPLACED BY MS21042L4)	1	0	
68	MS21042L4	. NUT (REPLACES NAS679A4)	1	1	
69	AN960PD416	. WASHER (REPLACED BY AN960JD416)	2		
69	AN960JD416	. WASHER (REPLACES AN960PD416) (REPLACED BY NAS1149D0463J)	2		
69	NAS1149D0463J	. WASHER (REPLACES AN960JD416)	2		
70	AN4-22A	. BOLT	1	1	
71	MS17825-4	. NUT (REPLACED BY MS14144L4)	1	0	
71	MS14144L4	. NUT (REPLACES MS17825-4)	1	1	
72	AN960PD416L	. WASHER (REPLACED BY AN960JD416L)	1		
72	AN960JD416L	. WASHER (REPLACES AN960PD416L) (REPLACED BY NAS1149D0416J)	1	1	
72	NAS1149D0416J	. WASHER (REPLACES AN960JD416L)	1	1	
73	AN174-6	. BOLT	1	1	
74	MS17826-3	. NUT (REPLACED BY MS14145L3)	1	0	

(1) INDEX NUMBER	(2) PART NUMBER	(3) ITEM NAME	(4) UNIT PER ASSY	(5) A V A I L	(6) U O C																		
FIGURE: 67-9. Dual controls kit (Cont'd)																							
74	MS14145L3	.NUT (REPLACES MS17826-3)	1	1																			
75	AN960-10	.WASHER (REPLACED BY NAS1149F0363P)	1																				
75	NAS1149F0363P	.WASHER (REPLACES AN960-10)	1	1																			
76	AN173-6	.BOLT	1	1																			
77	206-001-123-005	.TUBE ASSY	1	1																			
78	206-001-160-001	.ELBOW ASSY (USBL ON 206-706-006-001, -003 AND . . .	1		D																		
		-005)																					
78	206-001-160-005	.ELBOW ASSY (USBL ON 206-706-006-007)	1		E																		
79	206-001-135-001	..BUSHING (USBL ON 206-001-160-005)	1	1																			
79	F625	..BUSHING (USBL ON 206-001-160-001)	1																				
		(ALTERNATE PART)																					
79	F470A	..BUSHING (USBL ON 206-001-160-001)	1																				
80	206-001-118-001	.THROTTLE ARM (USBL ON 206-706-006-001, -003 AND . .	1		D																		
		-005)																					
80	206-001-118-003	.THROTTLE ARM (USBL ON 206-706-006-007)	1	1	E																		
81	206-001-124-001	.SPACER	1	1																			
82	120-035-52-42	.SHIM	1	1																			
NOTE 1: FOR 206-706-127 DUAL CONTROLS KIT, SEE FIG. 10 FOR BREAKDOWN.																							
<p style="text-align: center;">USABLE ON CODES</p> <table border="0" style="margin-left: auto; margin-right: auto;"> <thead> <tr> <th style="text-align: left;">CODE</th> <th style="text-align: left;">MODEL</th> <th style="text-align: left;">SERIAL NUMBER</th> </tr> </thead> <tbody> <tr> <td>A</td> <td>206A</td> <td></td> </tr> <tr> <td>B</td> <td>206A</td> <td>4-71</td> </tr> <tr> <td>C</td> <td>206A</td> <td>4-153</td> </tr> <tr> <td>D</td> <td>206A</td> <td>4-413</td> </tr> <tr> <td>E</td> <td>206A</td> <td>414-660, 672-715</td> </tr> </tbody> </table>						CODE	MODEL	SERIAL NUMBER	A	206A		B	206A	4-71	C	206A	4-153	D	206A	4-413	E	206A	414-660, 672-715
CODE	MODEL	SERIAL NUMBER																					
A	206A																						
B	206A	4-71																					
C	206A	4-153																					
D	206A	4-413																					
E	206A	414-660, 672-715																					
1) UNLESS A USABLE ON PART NUMBER IS LISTED IN THE ITEM NAME COLUMN; NO CODE INDICATES THE PART APPLIES TO ALL SERIAL NUMBERS.																							
2) IF THE SERIAL NUMBER IS BLANK THE PART APPLIES TO ALL SERIAL NUMBERS FOR THAT MODEL.																							



206A/B/B3-67-1010
C0000

Figure 67-10. Dual controls kit

(1) INDEX NUMBER	(2) PART NUMBER	(3) ITEM NAME	(4) UNIT PER ASSY	(5) A V A I L	(6) U O C
		FIGURE: 67-10. Dual controls kit			
	206-706-127-001	DUAL CONTROLS KIT (NOTE 1) (REPLACES 206-706-006-001, -003, -005 AND -007) (REPLACED BY 206-706-127-115)	1	0	
	206-706-127-115	DUAL CONTROLS KIT (NOTE 1) (REPLACES 206-706-006-001, -003, -005, -007 AND 206-706-127-001)	1	1	
	206-706-127-101	DUAL CONTROLS KIT (REPLACED BY 206-706-127-111) . .	1	0	A
	206-706-127-111	DUAL CONTROLS KIT (REPLACES 206-706-127-101)	1	1	A
1	MS17825-4	.NUT (REPLACED BY MS14144L4)	1	0	
1	MS14144L4	.NUT (REPLACES MS17825-4)	1	1	
2	AN960JD416	.WASHER (REPLACED BY NAS1149D0463J)	1		
2	NAS1149D0463J	.WASHER (REPLACES AN960JD416)	1		
3	50Z12-9-2	.SPACER	1	1	
4	AN174-12	.BOLT	1	1	
5	MS17825-4	.NUT (REPLACED BY MS14144L4)	1	0	
5	MS14144L4	.NUT (REPLACES MS17825-4)	1	1	
6	AN960JD416	.WASHER (REPLACED BY NAS1149D0463J)	1		
6	NAS1149D0463J	.WASHER (REPLACES AN960JD416)	1		
7	50Z12-9-2	.SPACER	1	1	
8	NAS1304-14D	.BOLT (REPLACED BY NAS6604D14)	1		
8	NAS6604D14	.BOLT (REPLACES NAS1304-14D)	1	1	
9	206-001-020-047	.TUBE ASSY (REPLACED BY 206-001-020-067)	1	0	
9	206-001-020-067	.TUBE ASSY (REPLACES 206-001-020-047)	1	1	
10	206-001-020-003	.TUBE	1		
11	206-001-055-001	.BEARING	2	1	
12	MS17825-4	.NUT (REPLACED BY MS14144L4)	2	0	
12	MS14144L4	.NUT (REPLACES MS17825-4)	2	1	
13	AN960PD416	.WASHER (REPLACED BY AN960JD416)	2		
13	AN960JD416	.WASHER (REPLACES AN960PD416) (REPLACED BY NAS1149D0463J)	2		
13	NAS1149D0463J	.WASHER (REPLACES AN960JD416)	2		
14	AN960-416	.WASHER (REPLACED BY NAS1149F0463P)	2	1	
14	NAS1149F0463P	.WASHER (REPLACES AN960-416)	2		
15	50Z12-9-2	.SPACER	2	1	
16	NAS6204-15D	.BOLT (ALTERNATE PART)	2	6	
16	20-057-4-15D	.BOLT	2	1	
17	MS17825-4	.NUT (REPLACED BY MS14144L4)	1	0	
17	MS14144L4	.NUT (REPLACES MS17825-4)	1	1	
18	AN960JD416	.WASHER (REPLACED BY NAS1149D0463J)	2		
18	NAS1149D0463J	.WASHER (REPLACES AN960JD416)	2		
19	AN174-17	.BOLT	1	1	
20	206-001-702-009	.BELLCRANK ASSY	1	1	
21	MS17825-4	.NUT (REPLACED BY MS14144L4)	2	0	
21	MS14144L4	.NUT (REPLACES MS17825-4)	2	1	
22	AN960JD416	.WASHER (REPLACED BY NAS1149D0463J)	2		
22	NAS1149D0463J	.WASHER (REPLACES AN960JD416)	2		
23	50Z12-9-2	.SPACER	2	1	
24	AN174-12	.BOLT	2	1	
25	206-001-701-001	.LINK ASSY	2	1	

(1) INDEX NUMBER	(2) PART NUMBER	(3) ITEM NAME	(4) UNIT PER ASSY	(5) A V A I L	(6) U O C
		FIGURE: 67-10. Dual controls kit (Cont'd)			
26	MS17825-5	.NUT (REPLACED BY MS14144L5)	1		
26	MS14144L5	.NUT (REPLACES MS17825-5)	1	1	
27	NAS1197-516	.WASHER	2	1	
28	AN175-46	.BOLT	1	1	
29	206-001-703-001	.PEDAL ASSY, LH	1	1	
30	206-001-703-002	.PEDAL ASSY, RH	1	1	
31	DW5	..BEARING (REPLACED BY MS27647-5)	1	0	
31	MS27647-5	..BEARING (REPLACES DW5)	1	1	
32	MS17825-4	.NUT (REPLACED BY MS14144L4)	1	0	
32	MS14144L4	.NUT (REPLACES MS17825-4)	1	1	
33	NAS1197-416	.WASHER	2	1	
34	500-25	.WASHER (REPLACED BY B0500-025)	2		
34	B0500-025	.WASHER (REPLACES 500-25)	2	1	
35	AN4-64	.BOLT	1	1	
36	206-001-706-003	.CLEVIS	1	1	
37	206-001-709-001	.KNOB	1	1	
38	AN4-10A	.BOLT	3	1	
39	NAS1197-416	.WASHER	3	1	
40	206-001-713-001	.PEDAL SUPPORT (REPLACED BY 206-001-713-101)	1		
40	206-001-713-101	.PEDAL SUPPORT (REPLACES 206-001-713-001)	1	1	
41	206-001-361-045	.BOOT ASSY	1	1	
	206-961-182-001	.ELECTRICAL MOD, DUAL CONTROLS	1	0	
42	MS3126F14-19P	..CONNECTOR	2	1	
43	NAS679A04	..NUT (REPLACED BY MS21042L04)	4	1	
43	MS21042L04	..NUT (REPLACES NAS679A04)	4	1	
44	AN960PD4L	..WASHER (REPLACED BY AN960JD4L)	4		
44	AN960JD4L	..WASHER (REPLACES AN960PD4L) (REPLACED BY NAS1149DN416J)	4	1	
44	NAS1149DN416J	..WASHER (REPLACES AN960JD4L)	4	1	
45	MS35206-215	..SCREW	4	1	
46	MS3120E14-19S	..CONNECTOR	1	1	
47	MS35489-6	..GROMMET	1	1	
48	206-001-392-001	.STICK ASSY (USBL ON 206-706-127-001) (REPLACED . . BY 206-001-392-107)	1	0	B
48	206-001-392-107	.STICK ASSY (USBL ON 206-706-127-115) (REPLACES . . 206-001-392-001)	1	1	B
48	206-001-392-101	.STICK ASSY (USBL ON 206-706-127-101) (REPLACED . . BY 206-001-392-105)	1	0	C
48	206-001-392-105	.STICK ASSY (USBL ON 206-706-127-111) (REPLACES . . 206-001-392-101)	1	1	C
49	206-001-218-103	..PIN ASSY (USBL ON 206-001-392-105 AND -107)	1	1	
50	22K2-048	..NUT (REPLACED BY 90-003-40)	1		
50	90-003-40	..NUT (REPLACES 22K2-048)	1	1	
51	AN960PD416	..WASHER (REPLACED BY AN960JD416)	3		
51	AN960JD416	..WASHER (REPLACES AN960PD416) (REPLACED BY NAS1149D0463J)	3		
51	NAS1149D0463J	..WASHER (REPLACES AN960JD416)	3		
52	AN24-26A	..BOLT	1	1	
53	206-001-359-001	..GRIP ASSY (ALTERNATE PART)	1	1	

(1) INDEX NUMBER	(2) PART NUMBER	(3) ITEM NAME	(4) UNIT PER ASSY	(5) A V A I L	(6) U O C
		FIGURE: 67-10. Dual controls kit (Cont'd)			
54	21110-1	..GRIP ASSY	1	0	
55	90-0367	...SWITCH (USBL ON 206-001-359-001)	1		
56	90-370	...SWITCH (USBL ON 206-001-359-001)	1	1	
57	PM22694	...SWITCH (USBL ON 21110-1)	1	1	
58	PM21953	...SWITCH (USBL ON 21110-1)	1	1	
59	MS27708-3	...SWITCH (USBL ON 21110-1)	1	1	
60	PM21230-2	...SWITCH (USBL ON 21110-1)	1	1	
61	206-001-343-005	..ELBOW (REPLACED BY 206-001-343-101)	1	6	
61	206-001-343-101	..ELBOW (REPLACES 206-001-343-005)	1		
62	206-001-393-001	..TUBE (USBL ON 206-001-392-001 AND -107)	1	6	
62	206-001-393-101	..TUBE (USBL ON 206-001-392-101 AND -105)	1	1	
63	206-001-392-015	..GROMMET	1	0	
64	206-001-386-001	..SLEEVE	1	1	
65	206-001-389-003	..NUT	1	1	
66	206-001-387-001	..COLLAR	1	1	
67	206-001-383-001	..LEVER ASSY (USBL ON 206-706-127-001) (REPLACED . . BY 206-001-401-001)	1	0	B
67	206-001-401-001	..LEVER ASSY (USBL ON 206-706-127-001 AND -101) . . . (REPLACES 206-001-383-001)	1	0	
67	206-001-401-107	..LEVER ASSY (USBL ON 206-706-127-115 AND -111) . . . (REPLACES 206-001-401-111)	1		
67	206-001-401-111	..LEVER ASSY (USBL ON 206-706-127-111 AND -115) . . . (REPLACES 206-001-401-107)	1	1	
68	206-001-053-005	..BEARING (USBL ON 206-001-383-001 AND 206-001-401-001) (REPLACED BY 206-301-051-101)	2	1	
68	206-301-051-101	..BEARING (REPLACES 206-001-053-005)	2	1	
69	MS171600	..PIN (REPLACED BY NAS561C6-28)	1	1	
69	NAS561C6-28	..PIN (REPLACES MS171600)	1		
70	MS27640-4	..BEARING	2	1	
71	214-001-905-013	..SPACER (USBL ON 206-001-401-001, -107 AND -111) . . .	1	1	
71	206-001-388-001	..SPACER (USBL ON 206-001-383-001)	1	6	
72	206-001-390-001	..INSERT	1	6	
73	206-070-892-001	..COVER ASSY (USBL ON 206-706-127-001 AND -115) . . .	1	1	B
73	206-072-161-101	..PANEL ASSY (USBL ON 206-706-127-101 AND -111) . . .	1	1	C
74	AN227-14B	..EYELET (USBL ON 206-070-892-001) (REPLACED BY . . MS27981-5B)	8		
74	MS27981-5B	..EYELET (USBL ON 206-070-892-001) (REPLACES AN227-14B)	8	1	
74	MS27981-6B	..EYELET (USBL ON 206-072-161-101)	8	6	
75	MS27981-4B	..STUD (USBL ON 206-072-161-101)	8	1	
75	AN227-13B	..STUD (USBL ON 206-070-892-001) (REPLACED BY MS27981-4B)	8		
75	MS27981-4B	..STUD (USBL ON 206-070-892-001) (REPLACES AN227-13B)	8	1	
76	206-072-161-117	..PANEL (USBL ON 206-072-161-101)	1		
77	206-001-017-025	..BOOT ASSY	1	1	
78	206-001-173-001	..STICK ASSY (USBL ON 206-706-127-001 AND -101) . . . (REPLACED BY 206-001-173-101 AND -103)	1	0	

(1) INDEX NUMBER	(2) PART NUMBER	(3) ITEM NAME	(4) UNIT PER ASSY	(5) A V A I L	(6) U O C
		FIGURE: 67-10. Dual controls kit (Cont'd)			
78	206-001-173-101	.STICK ASSY (USBL ON 206-706-127-111 AND -115) . . . (REPLACES 206-001-173-001) (REPLACED BY 206-001-173-103)	1	0	
78	206-001-173-103	.STICK ASSY (REPLACES 206-001-173-001 AND -101) . .	1		
79	206-001-164-001	..SCREW	1	1	
80	SS-50834K22	..PLUG BUTTON (ALTERNATE PART)	1		
80	SS-50834K2915	..PLUG BUTTON	1		
81	206-001-107-013	..GRIP ASSY	1	1	
82	206-001-176-005	..TUBE ASSY (USBL ON 206-001-173-001) (REPLACED . . BY 206-001-176-101)	1	0	
82	206-001-176-101	..TUBE ASSY (USBL ON 206-001-173-101) (REPLACES . . 206-001-176-005)	1		
82	206-001-176-103	..TUBE ASSY (USBL ON 206-001-173-103)	1	1	
83	206-001-218-101	...PIN ASSY (USBL ON 206-001-176-101)	1	0	
83	206-001-218-107	...PIN ASSY (USBL ON 206-001-176-103)	1	1	
84	206-001-219-101PIN	1		
85	28-1-CSLEEVE	2		
86	206-001-389-001	..NUT	1	1	
87	206-001-142-007	..TUBE ASSY	1	1	
88	NAS679A4	.NUT (REPLACED BY MS21042L4)	1	0	
88	MS21042L4	.NUT (REPLACES NAS679A4)	1	1	
89	AN960PD416	.WASHER (REPLACED BY AN960JD416)	2		
89	AN960JD416	.WASHER (REPLACES AN960PD416) (REPLACED BY NAS1149D0463J)	2		
89	NAS1149D0463J	.WASHER (REPLACES AN960JD416)	2		
90	AN4-21A	.BOLT	1	1	
91	NAS679A4	.NUT (REPLACED BY MS21042L4)	1	0	
91	MS21042L4	.NUT (REPLACES NAS679A4)	1	1	
92	AN960PD416L	.WASHER (REPLACED BY AN960JD416L)	1		
92	AN960JD416L	.WASHER (REPLACES AN960PD416L) (REPLACED BY NAS1149D0416J)	1	1	
92	NAS1149D0416J	.WASHER (REPLACES AN960JD416L)	1	1	
93	AN174-7A	.BOLT	1	1	
94	MS17826-3	.NUT (REPLACED BY MS14145L3)	1	0	
94	MS14145L3	.NUT (REPLACES MS17826-3)	1	1	
95	AN960-10	.WASHER (REPLACED BY NAS1149F0363P)	2		
95	NAS1149F0363P	.WASHER (REPLACES AN960-10)	2	1	
96	AN173-6	.BOLT	1	1	
97	206-001-123-005	.TUBE ASSY	1	1	
98	206-001-054-001	..ROD END	2	1	
99	206-001-118-003	.THROTTLE ARM	11	1	
100	206-001-124-001	.SPACER	1	1	
101	120-035-52-42	.SHIM	1	1	
102	MS171500	.PIN (REPLACED BY NAS561C3-12)	1	0	
102	NAS561C3-12	.PIN (REPLACES MS171500)	1	1	
103	206-001-169-001	.ELBOW ASSY (USBL ON 206-706-127-001) (REPLACED . . BY 206-001-169-101)	1		
103	206-001-169-101	.ELBOW ASSY (USBL ON 206-706-127-111 AND -115) . . . (REPLACES 206-001-169-001)	1	1	

(1) INDEX NUMBER	(2) PART NUMBER	(3) ITEM NAME	(4) UNIT PER ASSY	(5) A V A I L	(6) U O C												
104 105	206-001-135-001 206-001-390-003	<p>FIGURE: 67-10. Dual controls kit (Cont'd)</p> <p>..BUSHING</p> <p>..INSERT</p> <p>NOTE 1: FOR 206-706-006 DUAL CONTROLS KIT, SEE FIG. 9 FOR BREAKDOWN.</p> <p style="text-align: center;">USABLE ON CODES</p> <table border="0" style="margin-left: auto; margin-right: auto;"> <thead> <tr> <th style="text-align: left;">CODE</th> <th style="text-align: left;">MODEL</th> <th style="text-align: left;">SERIAL NUMBER</th> </tr> </thead> <tbody> <tr> <td>A</td> <td>206BIII</td> <td></td> </tr> <tr> <td>B</td> <td>206A/B/BIII</td> <td>4-3566</td> </tr> <tr> <td>C</td> <td>206A/B/BIII</td> <td>3567-SUB</td> </tr> </tbody> </table> <p>1) UNLESS A USABLE ON PART NUMBER IS LISTED IN THE ITEM NAME COLUMN; NO CODE INDICATES THE PART APPLIES TO ALL SERIAL NUMBERS.</p> <p>2) IF THE SERIAL NUMBER IS BLANK THE PART APPLIES TO ALL SERIAL NUMBERS FOR THAT MODEL.</p>	CODE	MODEL	SERIAL NUMBER	A	206BIII		B	206A/B/BIII	4-3566	C	206A/B/BIII	3567-SUB	1 1	1 1	
CODE	MODEL	SERIAL NUMBER															
A	206BIII																
B	206A/B/BIII	4-3566															
C	206A/B/BIII	3567-SUB															

