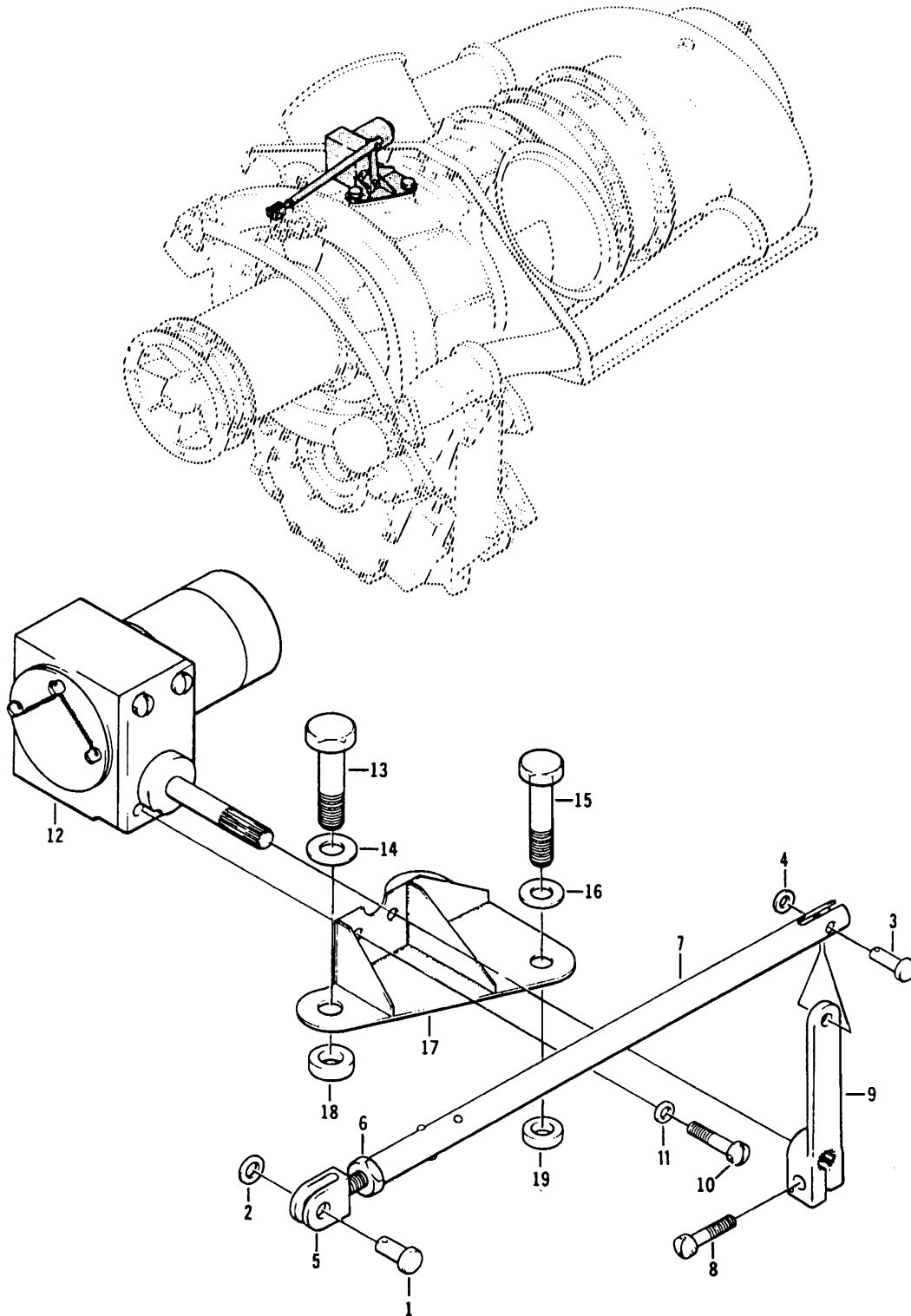


CONTENTS - IPB

Figure Number	Figure Title	Chapter/Section Number	Page Number
76-1	Control installation, anti-icing (S/N 4 thru 153)	76-99-00	2
76-2	Control installation, anti-icing (S/N 154 thru sub) ...	76-99-00	6
76-3	Control installation, gas producer (S/N 414 thru sub)	76-99-00	10
76-4	Control installation, gas producer (S/N 4 thru 413) ..	76-99-00	16
76-5	Control installation, droop compensator (S/N 4 thru 913)	76-99-00	20
76-6	Controls installation, droop compensator (S/N 914 thru sub)	76-99-00	26

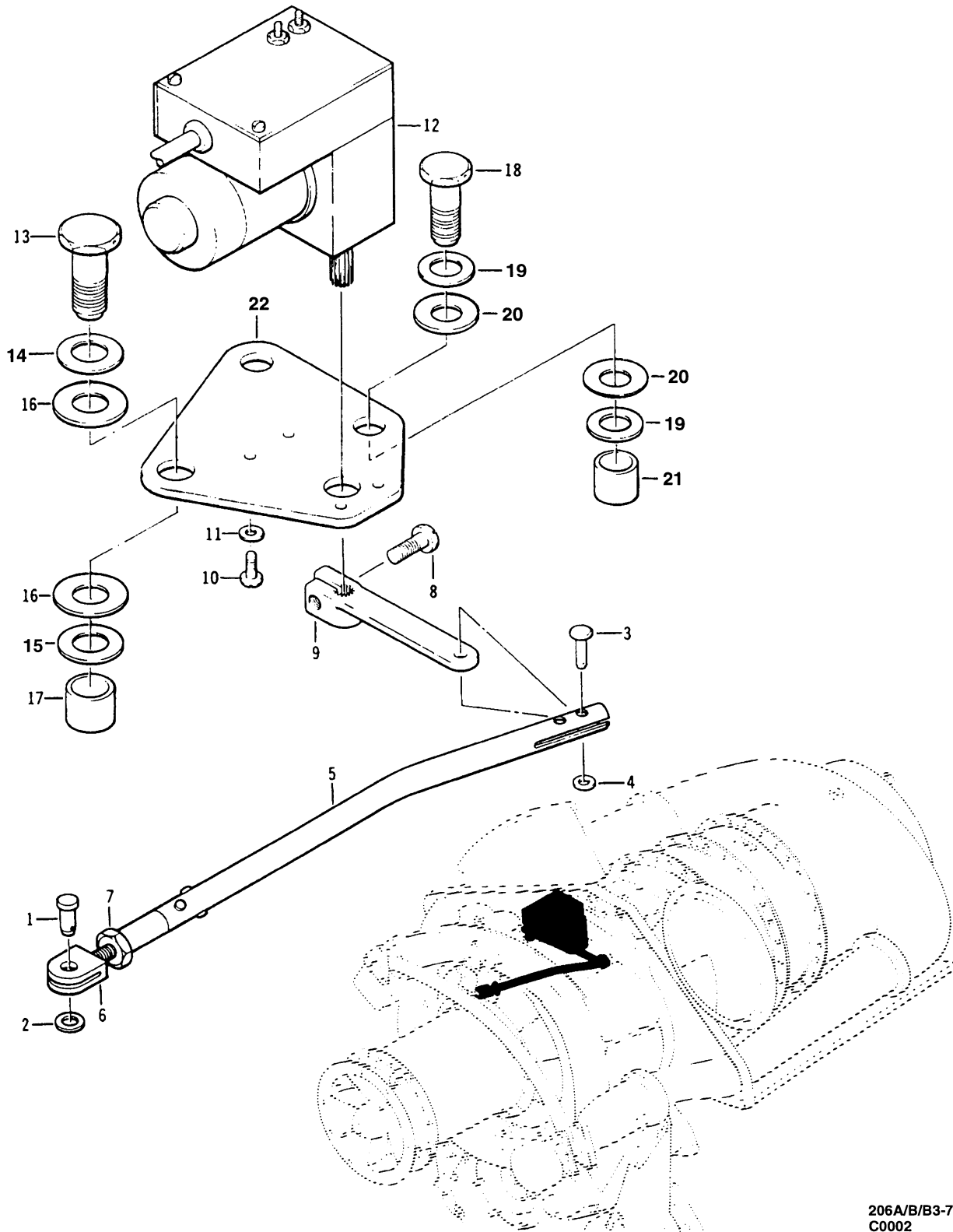


206A/B/B3-76-1001
C0000

Figure 76-1. Control installation, anti-icing (S/N 4 thru 153)

(1) INDEX NUMBER	(2) PART NUMBER	(3) ITEM NAME	(4) UNIT PER ASSY	(5) A V A I L	(6) U O C
		FIGURE: 76-1. Control installation, anti-icing (S/N 4 thru 153)			
	206-061-709-001	CONTROLS INSTL, ANIT-ICING	1		
1	AN121652	.PIN (REPLACED BY MS20392-2C9)	1		
1	MS20392-2C9	.PIN (REPLACES AN121652)	1		
2	AN960PD10L	.WASHER (REPLACED BY AN960JD10L)	1		
2	AN960JD10L	.WASHER (REPLACES AN960PD10L)	1		
3	AN121604	.PIN (REPLACED BY MS20392-1C13)	1		
3	MS20392-1C13	.PIN (REPLACES AN121604)	1		
4	AN960PD4	.WASHER (REPLACED BY AN960JD4)	1		
4	AN960JD4	.WASHER (REPLACES AN960PD4)	1		
	206-061-714-001	.TUBE ASSY	1		A
		(ALTERNATE PART)			
	9000-1	.TUBE ASSY	1		A
	206-061-714-005	.TUBE ASSY	1		B
		(ALTERNATE PART)			
	9000-3	.TUBE ASSY	1		B
5	206-061-712-001	..CLEVIS (USBL ON 206-061-714-001)	1		
5	206-061-712-003	..CLEVIS (USBL ON 206-061-714-005)	1		
6	NAS671-8	..NUT	1		
7	206-061-714-003	..TUBE	1		
8	MS35265-45	.SCREW	1		
9	206-061-715-001	.LEVER	1		
10	AN503-6-4	.SCREW	2		
11	AN960PD6L	.WASHER (REPLACED BY AN960JD6L)	2		
11	AN960JD6L	.WASHER (REPLACES AN960PD6L)	2		
12	NYLC9463	.ACTUATOR (REPLACED BY NYCL9463-1,	1		
		206-062-625-001 AND -003) (REFERENCE DESIGNATOR B4)			
12	NYLC9463-1	.ACTUATOR (REPLACES NYLC9463) (REPLACED BY	1		
		206-062-625-001 AND -003) (REFERENCE DESIGNATOR B4)			
12	206-062-625-001	.ACTUATOR (REPLACES NYLC9463 AND NYLC9463-1)	1		
		(REPLACED BY 206-062-625-003) (REFERENCE DESIGNATOR B4)			
12	206-062-625-003	.ACTUATOR (REPLACES NYLC9463, NYLC9463-1 AND	1		
		206-062-625-001)			
13	AN6DDH5A	.BOLT	1		
14	AN960-616L	.WASHER	1		
15	AN5DDH4A	.BOLT	2		
16	AN960-516L	.WASHER	2		
17	206-061-711-001	.BRACKET ASSY	1		
18	NAS43DD6-8	.SPACER	1		
19	NAS43DD5-8	.SPACER	2		

(1) INDEX NUMBER	(2) PART NUMBER	(3) ITEM NAME	(4) UNIT PER ASSY	(5) A V A I L	(6) U O C									
		<p>FIGURE: 76-1. Control installation, anti-icing (S/N 4 thru 153) (Cont'd)</p> <p style="text-align: center;">USABLE ON CODES</p> <table border="0" style="margin-left: auto; margin-right: auto;"> <tr> <td style="padding-right: 20px;">CODE</td> <td style="padding-right: 20px;">MODEL</td> <td>SERIAL NUMBER</td> </tr> <tr> <td>A</td> <td>206A</td> <td>4 THRU 67</td> </tr> <tr> <td>B</td> <td>206A</td> <td>68 THRU 153</td> </tr> </table> <p>1) UNLESS A USABLE ON PART NUMBER IS LISTED IN THE ITEM NAME COLUMN; NO CODE INDICATES THE PART APPLIES TO ALL SERIAL NUMBERS.</p> <p>2) IF THE SERIAL NUMBER IS BLANK THE PART APPLIES TO ALL SERIAL NUMBERS FOR THAT MODEL.</p>	CODE	MODEL	SERIAL NUMBER	A	206A	4 THRU 67	B	206A	68 THRU 153			
CODE	MODEL	SERIAL NUMBER												
A	206A	4 THRU 67												
B	206A	68 THRU 153												

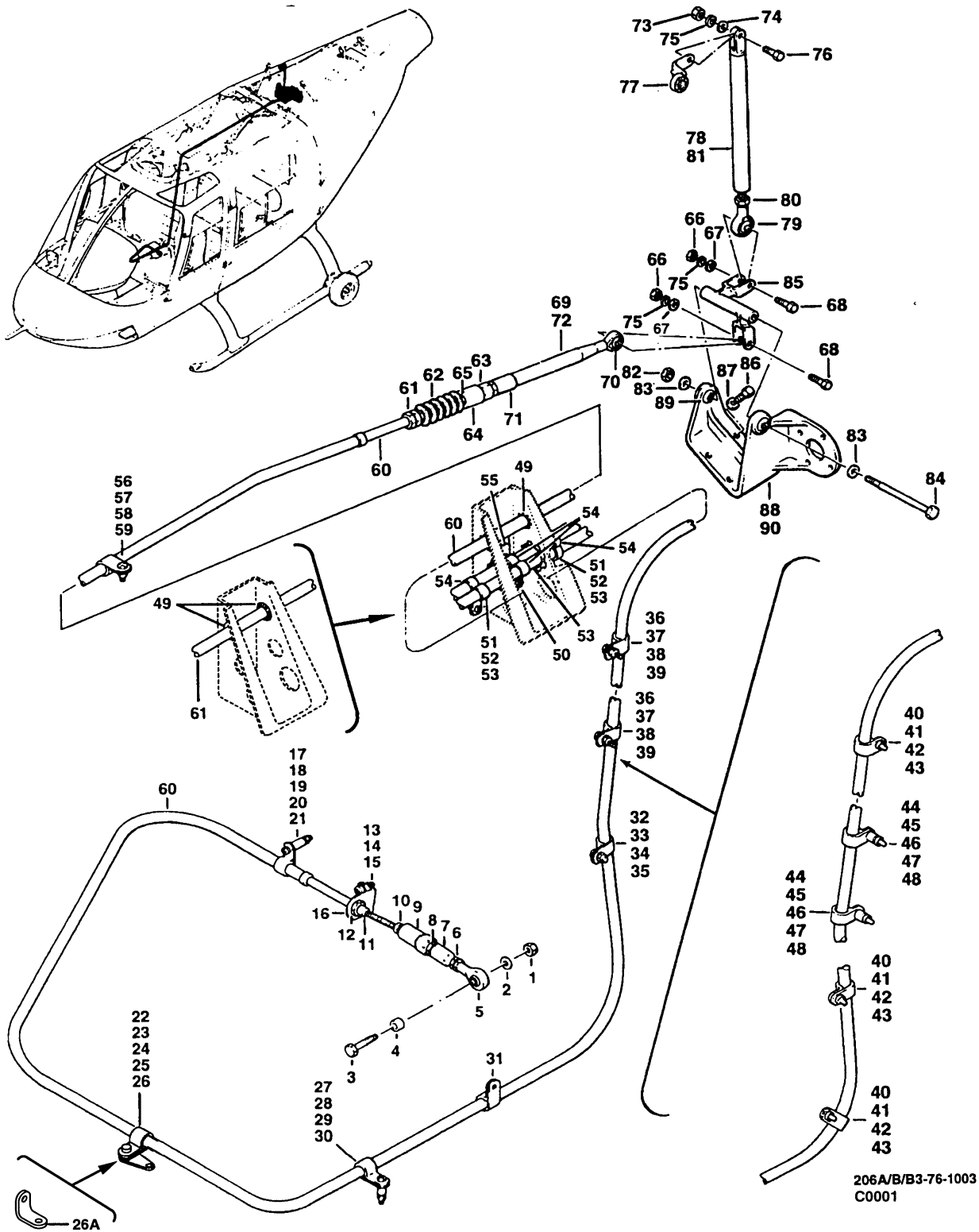


206A/B/B3-76-1002
C0002

Figure 76-2. Control installation, anti-icing (S/N 154 thru sub)

(1) INDEX NUMBER	(2) PART NUMBER	(3) ITEM NAME	(4) UNIT PER ASSY	(5) A V A I L	(6) U O C
		FIGURE: 76-2. Control installation, anti-icing (S/N 154 thru sub)			
	206-061-709-003	CONTROLS INSTL, ANTI-ICING	1	0	
	206-061-709-007	CONTROLS INSTL, ANTI-ICING	1		
	206-061-709-009	CONTROLS INSTL, ANTI-ICING	1		
	206-061-709-013	CONTROLS INSTL, ANTI-ICING	1		
1	MS20392-2S9	.PIN	1	1	
2	AN960PD10L	.WASHER (REPLACED BY AN960JD10L)	1		
2	AN960JD10L	.WASHER (REPLACES AN960PD10L) (REPLACED BY NAS1149D0332J)	1		
2	NAS1149D0332J	.WASHER (REPLACES AN960JD10L)	1		
3	MS20392-1S13	.PIN (USBL ON 206-061-709-003)	1	1	
3	MS20392-1S11	.PIN (USBL ON 206-061-709-007, -009 AND -013)	1	1	
4	AN960PD4	.WASHER (REPLACED BY AN960JD4)	1		
4	AN960JD4	.WASHER (REPLACES AN960PD4) (REPLACED BY NAS1149DN432J)	1	1	
4	NAS1149DN432J	.WASHER (REPLACES AN960JD4)	1		
5	206-061-714-005	.TUBE ASSY (USBL ON 206-061-709-003 AND -007) (ALTERNATE PART)	1		
5	9000-3	.TUBE ASSY (USBL ON 206-061-709-003 AND -007)	1		
5	206-061-714-007	.TUBE ASSY (USBL ON 206-061-709-009 AND -013) (REPLACED BY 206-061-714-103) (ALTERNATE PART)	1		
5	9000-5	.TUBE ASSY (USBL ON 206-061-709-009 AND -013)	1		
5	206-061-714-103	.TUBE ASSY (USBL ON 206-061-709-009 AND -013) (REPLACES 206-061-714-007) (ALTERNATE PART)	1		
5	9000-7	.TUBE ASSY (USBL ON 206-061-709-009 AND -013)	1	1	
6	206-061-712-003	.CLEVIS (USBL ON 206-061-714-005 AND -007)	1		
6	206-061-712-101	.CLEVIS (USBL ON 206-061-714-103)	1	1	
7	NAS671-8	.NUT	1	1	
8	MS35265-45	.SCREW	1	1	
9	206-061-715-001	.LEVER	1	1	
10	MS35265-27	.SCREW	4	1	
11	AN960PD6	.WASHER (REPLACED BY AN960JD6)	4		
11	AN960JD6	.WASHER (REPLACES AN960PD6) (REPLACED BY NAS1149DN632J)	4	1	
11	NAS1149DN632J	.WASHER (REPLACES AN960JD6)	4	1	
12	NYCL9463	.ACTUATOR (USBL ON 206-061-709-003) (REPLACED BY NYCL9463-1, 206-062-625-001 AND -003) (REFERENCE DESIGNATOR B4)	1		
12	NYCL9463-1	.ACTUATOR (USBL ON 206-061-709-003) (REPLACES NYCL9463) (REPLACED BY 206-062-625-001) (REFERENCE DESIGNATOR B4)	1		
12	206-062-625-001	.ACTUATOR (USBL ON 206-061-709-003) (REPLACES NYCL9463 AND NYCL9463-1) (REPLACED BY 206-062-625-003) (REFERENCE DESIGNATOR B4)	1		
12	206-062-625-003	.ACTUATOR (USBL ON 206-061-709-007, -009 AND -013) (REPLACES 206-062-625-001) (REFERENCE DESIGNATOR B4)	1	1	
13	AN6DDH10A	.BOLT	1	1	

(1) INDEX NUMBER	(2) PART NUMBER	(3) ITEM NAME	(4) UNIT PER ASSY	(5) A V A I L	(6) U O C												
FIGURE: 76-2. Control installation, anti-icing (S/N 154 thru sub) (Cont'd)																	
14	AN960-616L	.WASHER (REPLACED BY NAS1149F0632P)	1	1													
14	NAS1149F0632P	.WASHER (REPLACES AN960-616L)	1														
15	AN960-616L	.WASHER (REPLACED BY NAS1149F0632P)	1	1	C												
15	NAS1149F0632P	.WASHER (REPLACES AN960-616L)	1		C												
16	206-061-765-001	.WASHER	2	1	C												
17	NAS43DD6-25	.SPACER	1	1	B												
17	NAS43DD6-19	.SPACER	1	1	C												
18	AN5DDH7A	.BOLT	2	1													
19	AN960-516L	.WASHER (REPLACED BY NAS1149F0532P)	2	1													
19	NAS1149F0532P	.WASHER (REPLACES AN960-516L)	2														
20	206-061-765-101	.WASHER	4	1	C												
21	NAS43DD5-25	.SPACER	2	1	B												
21	NAS43DD5-19	.SPACER	2		C												
22	206-061-740-001	.BRACKET (REPLACED BY 206-061-740-003)	1	1	A												
22	206-061-740-003	.BRACKET (REPLACES 206-061-740-001)	1	1													
<p>USABLE ON CODES</p> <table border="0"> <tr> <td>CODE</td> <td>MODEL</td> <td>SERIAL NUMBER</td> </tr> <tr> <td>A</td> <td>206A/B</td> <td>154 THRU 715</td> </tr> <tr> <td>B</td> <td>206A/B</td> <td>154 THRU 1989</td> </tr> <tr> <td>C</td> <td>206B/BIII</td> <td>1990 AND SUB</td> </tr> </table> <p>1) UNLESS A USABLE ON PART NUMBER IS LISTED IN THE ITEM NAME COLUMN; NO CODE INDICATES THE PART APPLIES TO ALL SERIAL NUMBERS.</p> <p>2) IF THE SERIAL NUMBER IS BLANK THE PART APPLIES TO ALL SERIAL NUMBERS FOR THAT MODEL.</p>						CODE	MODEL	SERIAL NUMBER	A	206A/B	154 THRU 715	B	206A/B	154 THRU 1989	C	206B/BIII	1990 AND SUB
CODE	MODEL	SERIAL NUMBER															
A	206A/B	154 THRU 715															
B	206A/B	154 THRU 1989															
C	206B/BIII	1990 AND SUB															



206A/B/B3-76-1003
C0001

Figure 76-3. Control installation, gas producer (S/N 414 thru sub)

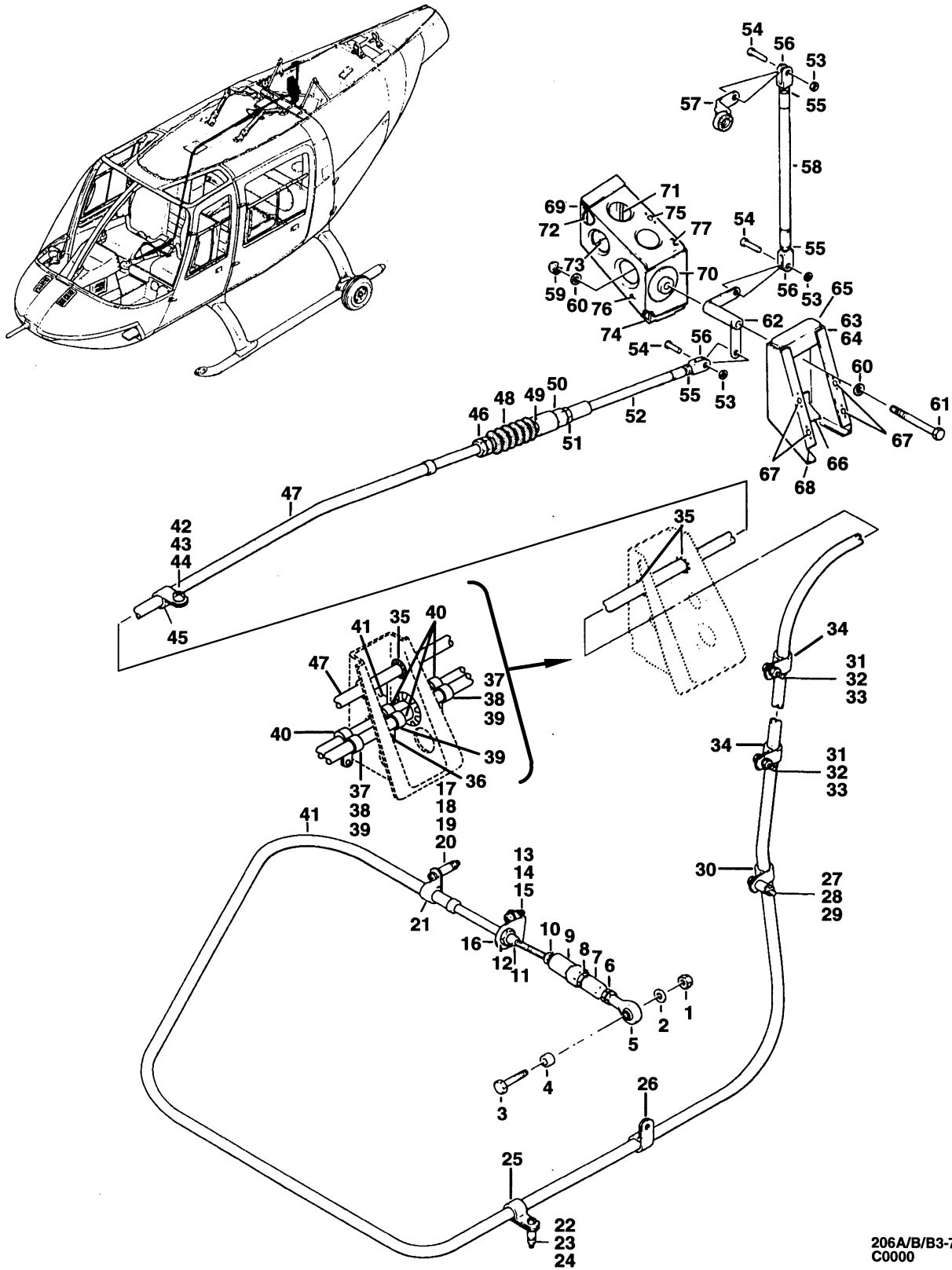
(1) INDEX NUMBER	(2) PART NUMBER	(3) ITEM NAME	(4) UNIT PER ASSY	(5) A V A I L	(6) U O C
		FIGURE: 76-3. Control installation, gas producer (S/N 414 thru sub)			
	206-061-700-007	CONTROLS INSTL, GAS PRODUCER	1		
	206-061-700-013	CONTROLS INSTL, GAS PRODUCER	1	0	
1	AN320-3	.NUT	1	1	
2	AN960PD10	.WASHER (REPLACED BY AN960JD10)	1		
2	AN960JD10	.WASHER (REPLACES AN960PD10) (REPLACED BY NAS1149D0363J)	1		
2	NAS1149D0363J	.WASHER (REPLACES AN960JD10)	1		
3	AN173-11	.BOLT	1	1	A
3	NAS6603D11	.BOLT	1	1	B
4	NAS43DD3-16	.SPACER	1		
5	206-001-054-001	.ROD END	1	1	
6	NAS509-4	.NUT	1	1	
7	206-061-718-001	.ADAPTER	1	1	
8	NAS509-4	.NUT	1	1	
9	111B0060	.BALL JOINT (ALTERNATE PART)	1	6	
9	85043-3	.BALL JOINT	1	1	
10	NAS509-4	.NUT	1	1	
11	206-064-716-103	.NUT ASSY	1	1	
12	NAS509-7	.NUT	2	1	
13	NAS679A3	.NUT (REPLACED BY MS21042L3)	2		
13	MS21042L3	.NUT (REPLACES NAS679A3)	2	1	
14	AN960-10L	.WASHER (REPLACED BY NAS1149F0332P)	2		
14	NAS1149F0332P	.WASHER (REPLACES AN960-10L)	2		
15	MS27039-1-10	.SCREW	2	1	
16	206-060-738-005	.BRACKET	1	1	
17	NAS679A3	.NUT (REPLACED BY MS21042L3)	1		B
17	MS21042L3	.NUT (REPLACES NAS679A3)	1	1	B
18	AN960PD10L	.WASHER (REPLACED BY AN960JD10L)	2		B
18	AN960JD10L	.WASHER (REPLACES AN960PD10L) (REPLACED BY NAS1149D0332J)	2		B
18	NAS1149D0332J	.WASHER (REPLACES AN960JD10L)	2		B
19	MS27039-1-18	.SCREW	1	1	B
20	NAS43DD3-40	.SPACER (REPLACED BY NAS43DD3-40N)	1		B
20	NAS43DD3-40N	.SPACER (REPLACES NAS43DD3-40)	1	1	B
21	MS25281-7	.CLAMP (REPLACED BY MS25281-R7)	1	0	B
21	MS25281-R7	.CLAMP (REPLACES MS25281-7)	1	1	B
22	NAS679A3	.NUT (REPLACED BY MS21042L3)	1		B
22	MS21042L3	.NUT (REPLACES NAS679A3)	1	1	B
23	AN960PD10L	.WASHER (REPLACED BY AN960JD10L)	1		B
23	AN960JD10L	.WASHER (REPLACES AN960PD10L) (REPLACED BY NAS1149D0332J)	1		B
23	NAS1149D0332J	.WASHER (REPLACES AN960JD10L)	1		B
24	AN520-10R6	.SCREW (REPLACED BY MS35207-261)	1		B
24	MS35207-261	.SCREW (REPLACES AN520-10R6)	1	1	B
25	MS25281-6	.CLAMP (REPLACED BY MS25281-R6)	1		B
25	MS25281-R6	.CLAMP (REPLACES MS25281-6)	1	1	B
26	10-003-2	.ADAPTER	1	1	C
26A	20-032-3	.BRACKET	1	1	D

(1) INDEX NUMBER	(2) PART NUMBER	(3) ITEM NAME	(4) UNIT PER ASSY	(5) A V A I L	(6) U O C
FIGURE: 76-3. Control installation, gas producer (S/N 414 thru sub) (Cont'd)					
27	AN520-10R28	.SCREW (REPLACED BY MS35207-270)	1		
27	MS35207-270	.SCREW (REPLACES AN520-10R28)	1	1	
28	AN960PD10L	.WASHER (REPLACED BY AN960JD10L)	1		
28	AN960JD10L	.WASHER (REPLACES AN960PD10L) (REPLACED BY NAS1149D0332J)	1		
28	NAS1149D0332J	.WASHER (REPLACES AN960JD10L)	1		
29	NAS43DD3-88	.SPACER (REPLACED BY NAS43DD3-88N)	1		
29	NAS43DD3-88N	.SPACER (REPLACES NAS43DD3-88)	1		
30	MS21919WDG6	.CLAMP	1	1	
31	MS21919WDG6	.CLAMP	1	1	A
32	NAS679A3	.NUT (REPLACED BY MS21042L3)	1		A
32	MS21042L3	.NUT (REPLACES NAS679A3)	1	1	A
33	AN960PD10L	.WASHER (REPLACED BY AN960JD10L)	1		A
33	AN960JD10L	.WASHER (REPLACES AN960PD10L) (REPLACED BY NAS1149D0332J)	1		A
33	NAS1149D0332J	.WASHER (REPLACES AN960JD10L)	1		A
34	AN520-10R6	.SCREW (REPLACED BY MS35207-261)	1		A
34	MS35207-261	.SCREW (REPLACES AN520-10R6)	1	1	A
35	MS21919WDG6	.CLAMP	1	1	A
36	NAS679A3	.NUT (REPLACED BY MS21042L3)	2		A
36	MS21042L3	.NUT (REPLACES NAS679A3)	2	1	A
37	AN960PD10L	.WASHER (REPLACED BY AN960JD10L)	2		A
37	AN960JD10L	.WASHER (REPLACES AN960PD10L) (REPLACED BY NAS1149D0332J)	2		A
37	NAS1149D0332J	.WASHER (REPLACES AN960JD10L)	2		A
38	AN520-10R8	.SCREW (REPLACED BY MS35207-263)	2		A
38	MS35207-263	.SCREW (REPLACES AN520-10R8)	2	1	A
39	MS25281-6	.CLAMP (REPLACED BY MS25281-R6)	2		A
39	MS25281-R6	.CLAMP (REPLACES MS25281-6)	2	1	A
40	NAS679A3	.NUT (REPLACED BY MS21042L3)	3		B
40	MS21042L3	.NUT (REPLACES NAS679A3)	3	1	B
41	AN960PD10L	.WASHER (REPLACED BY AN960JD10L)	6		B
41	AN960JD10L	.WASHER (REPLACES AN960PD10L) (REPLACED BY NAS1149D0332J)	6		B
41	NAS1149D0332J	.WASHER (REPLACES AN960JD10L)	6		B
42	AN520-10R10	.SCREW (REPLACED BY MS35207-264)	3	0	B
42	MS35207-264	.SCREW (REPLACES AN520-10R10)	3	1	B
43	MS25281-6	.CLAMP (REPLACED BY MS25281-R6)	3		B
43	MS25281-R6	.CLAMP (REPLACES MS25281-6)	3	1	B
44	NAS679A3	.NUT (REPLACED BY MS21042L3)	2		B
44	MS21042L3	.NUT (REPLACES NAS679A3)	2	1	B
45	AN960PD10L	.WASHER (REPLACED BY AN960JD10L)	4		B
45	AN960JD10L	.WASHER (REPLACES AN960PD10L) (REPLACED BY NAS1149D0332J)	4		B
45	NAS1149D0332J	.WASHER (REPLACES AN960JD10L)	4		B
46	MS27039-1-13	.SCREW	2	1	C
46	AN520-10R10	.SCREW (REPLACED BY MS35207-264)	2	0	D
46	MS35207-264	.SCREW (REPLACES AN520-10R10)	2	1	D
47	NAS43DD3-28	.SPACER	2		C

(1) INDEX NUMBER	(2) PART NUMBER	(3) ITEM NAME	(4) UNIT PER ASSY	(5) A V A I L	(6) U O C
		FIGURE: 76-3. Control installation, gas producer (S/N 414 thru sub) (Cont'd)			
48	MS25281-6	.CLAMP (REPLACED BY MS25281-R6)	2		B
48	MS25281-R6	.CLAMP (REPLACES MS25281-6)	2	1	B
49	60-003-3N8	.GROMMET (MAKE FROM MS21266-3N)	2		A
49	MS21266-3N	.GROMMET	2	1	A
49	60-003-1N8	.GROMMET (MAKE FROM MS21266-1N)	2		B
49	MS21266-1N	.GROMMET	2	1	B
50	MS27039-1-08	.SCREW	1	1	A
51	NAS679A3	.NUT (REPLACED BY MS21042L3)	2		
51	MS21042L3	.NUT (REPLACES NAS679A3)	2	1	
52	MS27039-1-06	.SCREW	2	1	A
53	MS25281R7	.CLAMP (REPLACED BY MS25281-R7)	3		A
53	MS25281-R7	.CLAMP (REPLACES MS25281R7)	3	1	A
54	MS25281R8	.CLAMP (REPLACED BY MS25281-R8)	3	1	A
54	MS25281-R8	.CLAMP (REPLACES MS25281R8)	3	1	A
55	206-061-748-001	.CLIP ASSY	1		A
56	MS21042L3	.NUT	1	1	
57	AN960PD10L	.WASHER (REPLACED BY AN960JD10L)	1		
57	AN960JD10L	.WASHER (REPLACES AN960PD10L) (REPLACED BY NAS1149D0332J)	1		
57	NAS1149D0332J	.WASHER (REPLACES AN960JD10L)	1		
58	AN520-10R7	.SCREW (REPLACED BY MS35207-262)	1		A
58	MS35207-262	.SCREW (REPLACES AN520-10R7)	1	1	A
58	MS27039-1-06	.SCREW	1	1	B
59	MS25281-6	.CLAMP (REPLACED BY MS25281-R6)	1		A
59	MS25281-R6	.CLAMP (REPLACES MS25281-6)	1	1	A
59	MS25281R7	.CLAMP (REPLACED BY MS25281-R7)	1		B
59	MS25281-R7	.CLAMP (REPLACES MS25281R7)	1	1	B
60	412B0220	.CONTROL ASSY (REPLACED BY 1606470-001)	1		E
60	1606470-001	.CONTROL ASSY (REPLACES 412B0220)	1		F
61	AN316-7R	.NUT	4	1	
62	118B0026-1	.BELLOWS ASSY (REPLACED BY 2112-B-0093-1)	1	0	
62	2112-B-0093-1	.SEAL NUT (REPLACES 118B0026-1)	1	1	
63	NAS509-4	.NUT	1	1	
64	111B0027-3	.BALL JOINT	1	1	
65	NAS509-6	.NUT	1	1	
66	AN320C3	.NUT	2	1	
67	AN960C10L	.WASHER (REPLACED BY NAS1149C0332R)	2		
67	NAS1149C0332R	.WASHER (REPLACES AN960C10L)	2	1	
68	AN173-7	.BOLT	2	1	
69	206-061-743-001	.TUBE ASSY (REPLACED BY 206-061-743-101)	1		
69	206-061-743-101	.TUBE ASSY (REPLACES 206-061-743-001)	1	1	
70	204-061-717-003	.BEARING	1	1	
71	206-061-744-001	.FITTING (USBL ON 206-061-743-001)	1	1	
71	206-061-744-101	.FITTING (USBL ON 206-061-743-101)	1		
72	206-061-743-003	.TUBE	1	1	
73	AN320C3	.NUT (NOTE 1)	1	1	
73	MS14144L4	.NUT (NOTE 1)	1	1	
74	AN960C10L	.WASHER (NOTE 1) (REPLACED BY NAS1149C0332R)	1		
74	NAS1149C0332R	.WASHER (NOTE 1) (REPLACES AN960C10L)	1	1	

(1) INDEX NUMBER	(2) PART NUMBER	(3) ITEM NAME	(4) UNIT PER ASSY	(5) A V A I L	(6) U O C
FIGURE: 76-3. Control installation, gas producer (S/N 414 thru sub) (Cont'd)					
74	AN960C416	.WASHER (NOTE 1, 2) (REPLACED BY NAS1149C0463R) . .	1	1	
74	NAS1149C0463R	.WASHER (NOTE 1, 2) (REPLACES AN960C416)	1		
75	AN960C416L	.WASHER (NOTE 2) (REPLACED BY NAS1149C0432R)	3	1	B
75	NAS1149C0432R	.WASHER (NOTE 2) (REPLACES AN960C416L)	3		B
76	AN173-5	.BOLT (NOTE 1)	1	1	
76	NAS6604D8	.BOLT (NOTE 1)	1	1	
77	206-061-716-003	.LEVER (NOTE 1)	1	1	
77	206-064-713-101	.LEVER (NOTE 1) (REPLACED BY 206-064-713-103)	1	1	
77	206-064-713-103	.LEVER (NOTE 1)	1	1	
78	206-061-745-001	.TUBE ASSY (NOTE 1)	1		
78	206-064-702-101	.TUBE ASSY (NOTE 1)	1	1	
79	REPB3N2	..BEARING	1	1	
(ALTERNATE PART)					
79	MS21153-2	..BEARING	1	1	
80	AN316-5R	..NUT	1	1	
81	206-061-745-003	..TUBE ASSY (USBL ON 206-061-745-001)	1		
82	AN320C4	.NUT	1	1	
83	AN960C416L	.WASHER (REPLACED BY NAS1149C0432R)	2	1	
83	NAS1149C0432R	.WASHER (REPLACES AN960C416L)	2		
84	AN174-41	.BOLT	1	1	
85	206-061-742-001	.BELLCRANK (REPLACED BY 206-061-742-003)	1		
85	206-061-742-003	.BELLCRANK (REPLACES 206-061-742-001)	1	1	
86	AN4-5A	.BOLT	4	1	
87	AN960-416	.WASHER (REPLACED BY NAS1149F0463P)	4	1	
87	NAS1149F0463P	.WASHER (REPLACES AN960-416)	4		
88	206-061-747-001	.BRACKET ASSY	1	1	
89	MS21233-4	..BEARING (REPLACED BY MS14104-4)	2	0	
89	MS14104-4	..BEARING (REPLACES MS21233-4)	2	1	
(ALTERNATE PART)					
89	MS21153-2	..BEARING	2	1	
90	206-061-747-003	..BRACKET	1		
<p>NOTE 1: FOR S/N 498 THRU SUB, 206-061-745-001 TUBE ASSY, 206-061-716-003 LEVER, AN173-5 BOLT, AN960C10L WASHER AND AN320C3 NUT ARE RBY 206-064-702-101 TUBE ASSY, 206-064-713-103 LEVER, NAS6604D8 BOLT, AN960C416 WASHER AND MS14144L4 NUT</p> <p>NOTE 2: AN960C416 OR AN960C416L WASHERS MAY BE ADDED TO ACCOMMODATE COTTER PIN ENGAGEMENT IF REQUIRED DUE TO TOLERANCES.</p>					

(1) INDEX NUMBER	(2) PART NUMBER	(3) ITEM NAME	(4) UNIT PER ASSY	(5) A V A I L	(6) U O C																					
		<p>FIGURE: 76-3. Control installation, gas producer (S/N 414 thru sub) (Cont'd)</p> <p style="text-align: center;">USABLE ON CODES</p> <table border="0" style="width: 100%;"> <thead> <tr> <th style="text-align: left;">CODE</th> <th style="text-align: left;">MODEL</th> <th style="text-align: left;">SERIAL NUMBER</th> </tr> </thead> <tbody> <tr> <td>A</td> <td>206A</td> <td>414 THRU 497</td> </tr> <tr> <td>B</td> <td>206A/B/BIII</td> <td>498 THRU SUB</td> </tr> <tr> <td>C</td> <td>206A/BIII</td> <td>414-4449</td> </tr> <tr> <td>D</td> <td>206BIII</td> <td>4450-SUB</td> </tr> <tr> <td>E</td> <td>206A/BIII</td> <td>414-4467</td> </tr> <tr> <td>F</td> <td>206BIII</td> <td>4468-SUB</td> </tr> </tbody> </table> <p>1) UNLESS A USABLE ON PART NUMBER IS LISTED IN THE ITEM NAME COLUMN; NO CODE INDICATES THE PART APPLIES TO ALL SERIAL NUMBERS.</p> <p>2) IF THE SERIAL NUMBER IS BLANK THE PART APPLIES TO ALL SERIAL NUMBERS FOR THAT MODEL.</p>	CODE	MODEL	SERIAL NUMBER	A	206A	414 THRU 497	B	206A/B/BIII	498 THRU SUB	C	206A/BIII	414-4449	D	206BIII	4450-SUB	E	206A/BIII	414-4467	F	206BIII	4468-SUB			
CODE	MODEL	SERIAL NUMBER																								
A	206A	414 THRU 497																								
B	206A/B/BIII	498 THRU SUB																								
C	206A/BIII	414-4449																								
D	206BIII	4450-SUB																								
E	206A/BIII	414-4467																								
F	206BIII	4468-SUB																								



206A/B/B3-76-1004
C0000

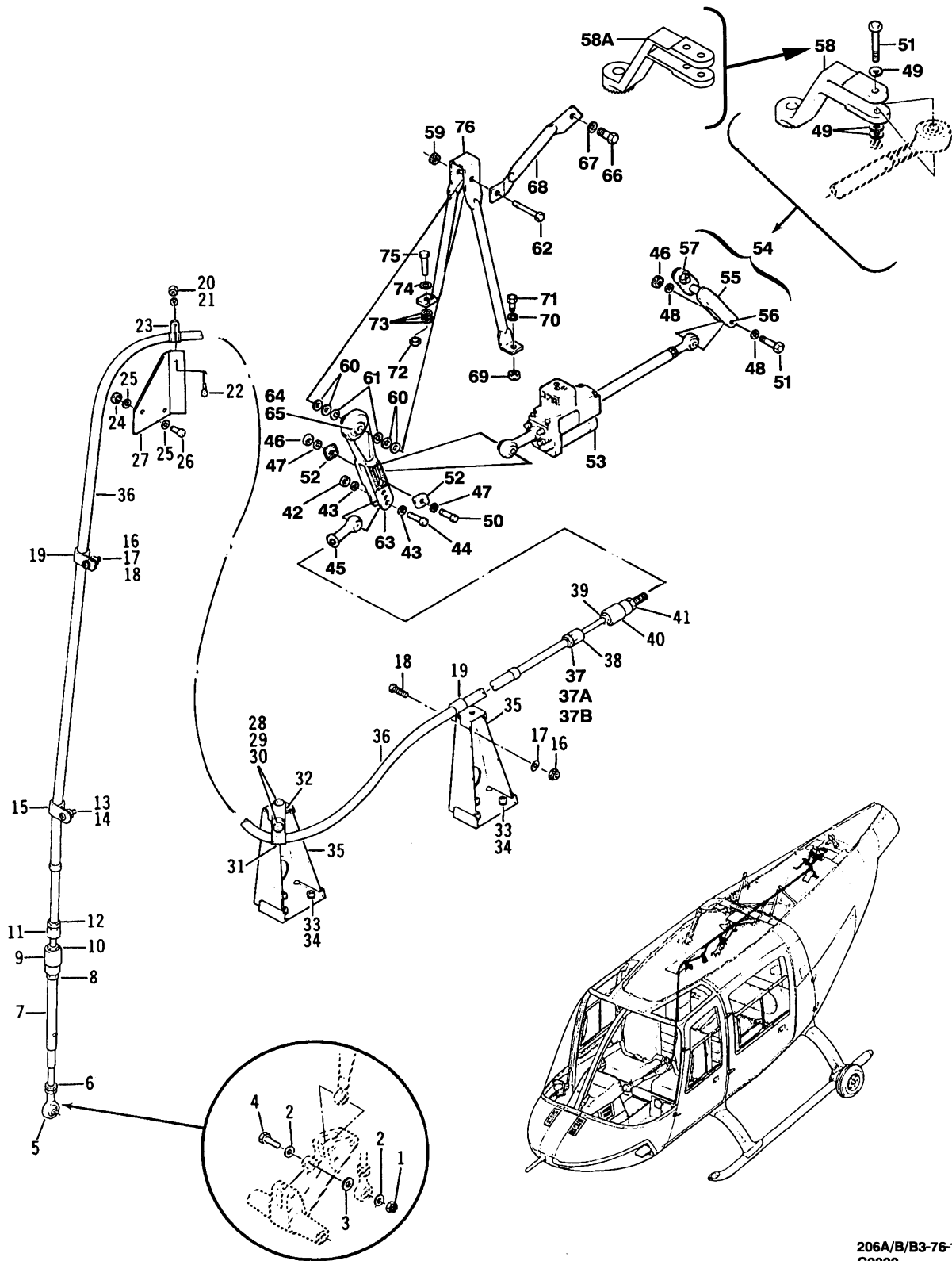
Figure 76-4. Control installation, gas producer (S/N 4 thru 413)

(1) INDEX NUMBER	(2) PART NUMBER	(3) ITEM NAME	(4) UNIT PER ASSY	(5) A V A I L	(6) U O C
		FIGURE: 76-4. Control installation, gas producer (S/N 4 thru 413)			
	206-061-700-001	CONTROLS INSTL, GAS PRODUCER	1		
	206-061-700-005	CONTROLS INSTL, GAS PRODUCER	1		
	206-061-700-003	CONTROLS INSTL, GAS PRODUCER	1		
1	AN320-3	.NUT	1	1	
2	AN960PD10	.WASHER (REPLACED BY AN960JD10)	1		
2	AN960JD10	.WASHER (REPLACES AN960PD10) (REPLACED BY NAS1149D0363J)	1		
2	NAS1149D0363J	.WASHER (REPLACES AN960JD10)	1		
3	AN173-11	.BOLT	1	1	
4	NAS43DD3-16	.SPACER	1		
5	HRBM3	.ROD END	1		AB
5	206-001-054-001	.ROD END	1	1	D
6	AN316-4R	.NUT	1	1	A
6	NAS509-4	.NUT	1	1	B
7	206-060-743-001	.ADAPTER	1		A
7	206-060-743-003	.ADAPTER	1	6	B
7	206-061-718-001	.ADAPTER	1	1	D
8	AN316-6R	.NUT	1	1	A
8	NAS509-6	.NUT	1	1	B
8	NAS509-4	.NUT	1	1	C
9	SK740-3	.BALL JOINT (REPLACED BY 111B0027-3)	1		AB
9	111B0027-3	.BALL JOINT (REPLACES SK740-3)	1	1	AB
9	111B0060	.BALL JOINT (ALTERNATE PART)	1	6	D
9	85043-3	.BALL JOINT	1	1	
10	AN316-4R	.NUT	1	1	A
10	NAS509-4	.NUT	1	1	B
11	40155-1	.SCRAPER RING (REPLACED BY 211A0009-1)	1	0	
11	211A0009-1	.SEAL NUT (REPLACES 40155-1)	1		
12	AN316-7R	.NUT	2	1	A
12	NAS509-7	.NUT	2	1	C
13	MS21042L3	.NUT	2	1	
14	AN960-10L	.WASHER (REPLACED BY NAS1149F0332P)	2		
14	NAS1149F0332P	.WASHER (REPLACES AN960-10L)	2		
15	MS27039-1-10	.SCREW	2	1	
16	206-060-738-001	.BRACKET	1	0	A
16	206-060-738-003	.BRACKET	1		B
17	MS21042L3	.NUT	1	1	
18	AN960PD10L	.WASHER (REPLACED BY AN960JD10L)	2		
18	AN960JD10L	.WASHER (REPLACES AN960PD10L) (REPLACED BY NAS1149D0332J)	2		
18	NAS1149D0332J	.WASHER (REPLACES AN960JD10L)	2		
19	MS27039-1-18	.SCREW	1	1	
20	NAS43DD3-40	.SPACER (REPLACED BY NAS43DD3-40N)	1		
20	NAS43DD3-40N	.SPACER (REPLACES NAS43DD3-40)	1	1	
21	MS25281-7	.CLAMP (REPLACED BY MS25281-R7)	1	0	
21	MS25281-R7	.CLAMP (REPLACES MS25281-7)	1	1	
22	MS35207-270	.SCREW	1	1	
23	AN960PD10L	.WASHER (REPLACED BY AN960JD10L)	1		

(1) INDEX NUMBER	(2) PART NUMBER	(3) ITEM NAME	(4) UNIT PER ASSY	(5) A V A I L	(6) U O C
		FIGURE: 76-4. Control installation, gas producer (S/N 4 thru 413) (Cont'd)			
23	AN960JD10L	.WASHER (REPLACES AN960PD10L) (REPLACED BY NAS1149D0332J)	1		
23	NAS1149D0332J	.WASHER (REPLACES AN960JD10L)	1		
24	NAS43DD3-88	.SPACER (REPLACED BY NAS43DD3-88N)	1		
24	NAS43DD3-88N	.SPACER (REPLACES NAS43DD3-88)	1		
25	MS25281-6	.CLAMP (REPLACED BY MS25281-R6)	1		
25	MS25281-R6	.CLAMP (REPLACES MS25281-6)	1	1	
26	MS25281-6	.CLAMP (REPLACED BY MS25281-R6)	1		
26	MS25281-R6	.CLAMP (REPLACES MS25281-6)	1	1	
27	MS21042L3	.NUT	1	1	
28	AN960PD10L	.WASHER (REPLACED BY AN960JD10L)	1		
28	AN960JD10L	.WASHER (REPLACES AN960PD10L) (REPLACED BY NAS1149D0332J)	1		
28	NAS1149D0332J	.WASHER (REPLACES AN960JD10L)	1		
29	MS35207-261	.SCREW	1	1	
30	MS25281-6	.CLAMP (REPLACED BY MS25281-R6)	1		
30	MS25281-R6	.CLAMP (REPLACES MS25281-6)	1	1	
31	MS21042L3	.NUT	2	1	
32	AN960PD10L	.WASHER (REPLACED BY AN960JD10L)	2		
32	AN960JD10L	.WASHER (REPLACES AN960PD10L) (REPLACED BY NAS1149D0332J)	2		
32	NAS1149D0332J	.WASHER (REPLACES AN960JD10L)	2		
33	MS35207-263	.SCREW	2	1	
34	MS25281-6	.CLAMP (REPLACED BY MS25281-R6)	2		
34	MS25281-R6	.CLAMP (REPLACES MS25281-6)	2	1	
35	60-003-3N8	.GROMMET (MAKE FROM MS21266-3N)	2		
35	MS21266-3N	.GROMMET	2	1	
36	MS27039-1-08	.SCREW	1	1	D
37	NAS679A3	.NUT (REPLACED BY MS21042L3)	2		D
37	MS21042L3	.NUT (REPLACES NAS679A3)	2	1	D
38	MS27039-1-06	.SCREW	2	1	D
39	MS25281R7	.CLAMP (REPLACED BY MS25281-R7)	3		D
39	MS25281-R7	.CLAMP (REPLACES MS25281R7)	3	1	D
40	MS25281R8	.CLAMP (REPLACED BY MS25281-R8)	3	1	D
40	MS25281-R8	.CLAMP (REPLACES MS25281R8)	3	1	D
41	206-061-748-001	.CLIP ASSY	1		D
42	MS21042L3	.NUT	1	1	
43	AN960PD10L	.WASHER (REPLACED BY AN960JD10L)	1		
43	AN960JD10L	.WASHER (REPLACES AN960PD10L) (REPLACED BY NAS1149D0332J)	1		
43	NAS1149D0332J	.WASHER (REPLACES AN960JD10L)	1		
44	MS35207-262	.SCREW	1	1	
45	MS25281-6	.CLAMP (REPLACED BY MS25281-R6)	1		
45	MS25281-R6	.CLAMP (REPLACES MS25281-6)	1	1	
46	AN316-7R	.NUT	2	1	
47	410MV	.CONTROL ASSY (REPLACED BY 412B0220)	1		
47	412B0220	.CONTROL ASSY (REPLACES 410MV)	1		
48	40099-1	.BELLOWS ASSY (REPLACED BY 118B0026-1 AND 2112-B-0093-1)	1		

(1) INDEX NUMBER	(2) PART NUMBER	(3) ITEM NAME	(4) UNIT PER ASSY	(5) A V A I L	(6) U O C
		FIGURE: 76-4. Control installation, gas producer (S/N 4 thru 413) (Cont'd)			
48	118B0026-1	.BELLOWS ASSY (REPLACES 40099-1) (REPLACED BY 2112-B-0093-1)	1	0	
48	2112-B-0093-1	.SEAL NUT (REPLACES 40099-1 AND 118B0026-1)	1	1	
49	AN316-4R	.NUT	1	1	A
49	NAS509-4	.NUT	1	1	B
50	SK740-3	.BALL JOINT (REPLACED BY 111B0027-3)	1		
50	111B0027-3	.BALL JOINT (REPLACES SK740-3)	1	1	
51	AN316-6R	.NUT	1	1	A
51	NAS509-6	.NUT	1	1	B
52	206-061-720-001	.TUBE ASSY	1	1	
53	AN960-10L	.WASHER (REPLACED BY NAS1149F0332P)	3		
53	NAS1149F0332P	.WASHER (REPLACES AN960-10L)	3		
54	AN121653	.PIN (REPLACED BY MS20392-2S11)	3		
54	MS20392-2S11	.PIN (REPLACES AN121653)	3	1	
55	AN315-3R	.NUT	3	1	
56	206-061-723-001	.CLEVIS	3	1	
57	206-061-716-001	.LEVER	1	0	
58	206-061-724-001	.ROD ASSY	1	1	
59	MS21042L4	.NUT	1	1	
60	AN960-416L	.WASHER (REPLACED BY NAS1149F0432P)	2	1	
60	NAS1149F0432P	.WASHER (REPLACES AN960-416L)	2		
61	AN4-34A	.BOLT	1	1	
62	206-061-722-001	.BELLCRANK	1	1	
63	206-061-729-001	.BRACKET ASSY	1	0	
64	MS20218-1	..BEARING	1	1	
65	206-061-729-011	..CAP	1		
66	206-061-729-007	..CLIP	1		
67	NAS1068A08	..NUTPLATE (REPLACED BY MS21075L08)	4	0	
67	MS21075L08	..NUTPLATE (REPLACES NAS1068A08) (REPLACED BY MS21075L08N)	4		
67	MS21075L08N	..NUTPLATE (REPLACES MS21075L08)	4	1	
68	206-061-729-009	..BRACKET	1		
69	206-061-721-001	.BRACKET ASSY	1	0	
70	MS20218-1	..BEARING	1	1	
71	206-061-721-011	..CLIP	1	6	
72	206-061-721-015	..CLIP	1		
73	206-061-721-009	..CLIP	1		
74	206-061-721-007	..CLIP	1	1	
75	NAS697A3	..NUTPLATE (REPLACED BY MS21069L3)	1		
75	MS21069L3	..NUTPLATE (REPLACES NAS697A3)	1	1	
76	206-061-721-003	..BRACKET	1		
77	206-061-721-005	..WEB	1		

(1) INDEX NUMBER	(2) PART NUMBER	(3) ITEM NAME	(4) UNIT PER ASSY	(5) A V A I L	(6) U O C															
		<p>FIGURE: 76-4. Control installation, gas producer (S/N 4 thru 413) (Cont'd)</p> <p style="text-align: center;">USABLE ON CODES</p> <table border="0" style="width: 100%;"> <thead> <tr> <th style="text-align: left;">CODE</th> <th style="text-align: left;">MODEL</th> <th style="text-align: left;">SERIAL NUMBER</th> </tr> </thead> <tbody> <tr> <td>A</td> <td>206A</td> <td>4 THRU 53</td> </tr> <tr> <td>B</td> <td>206A</td> <td>54 THRU 103</td> </tr> <tr> <td>C</td> <td>206A</td> <td>54 THRU 413</td> </tr> <tr> <td>D</td> <td>206A</td> <td>104 THRU 413</td> </tr> </tbody> </table> <p>1) UNLESS A USABLE ON PART NUMBER IS LISTED IN THE ITEM NAME COLUMN; NO CODE INDICATES THE PART APPLIES TO ALL SERIAL NUMBERS.</p> <p>2) IF THE SERIAL NUMBER IS BLANK THE PART APPLIES TO ALL SERIAL NUMBERS FOR THAT MODEL.</p>	CODE	MODEL	SERIAL NUMBER	A	206A	4 THRU 53	B	206A	54 THRU 103	C	206A	54 THRU 413	D	206A	104 THRU 413			
CODE	MODEL	SERIAL NUMBER																		
A	206A	4 THRU 53																		
B	206A	54 THRU 103																		
C	206A	54 THRU 413																		
D	206A	104 THRU 413																		



206A/B/B3-76-1005
C0000

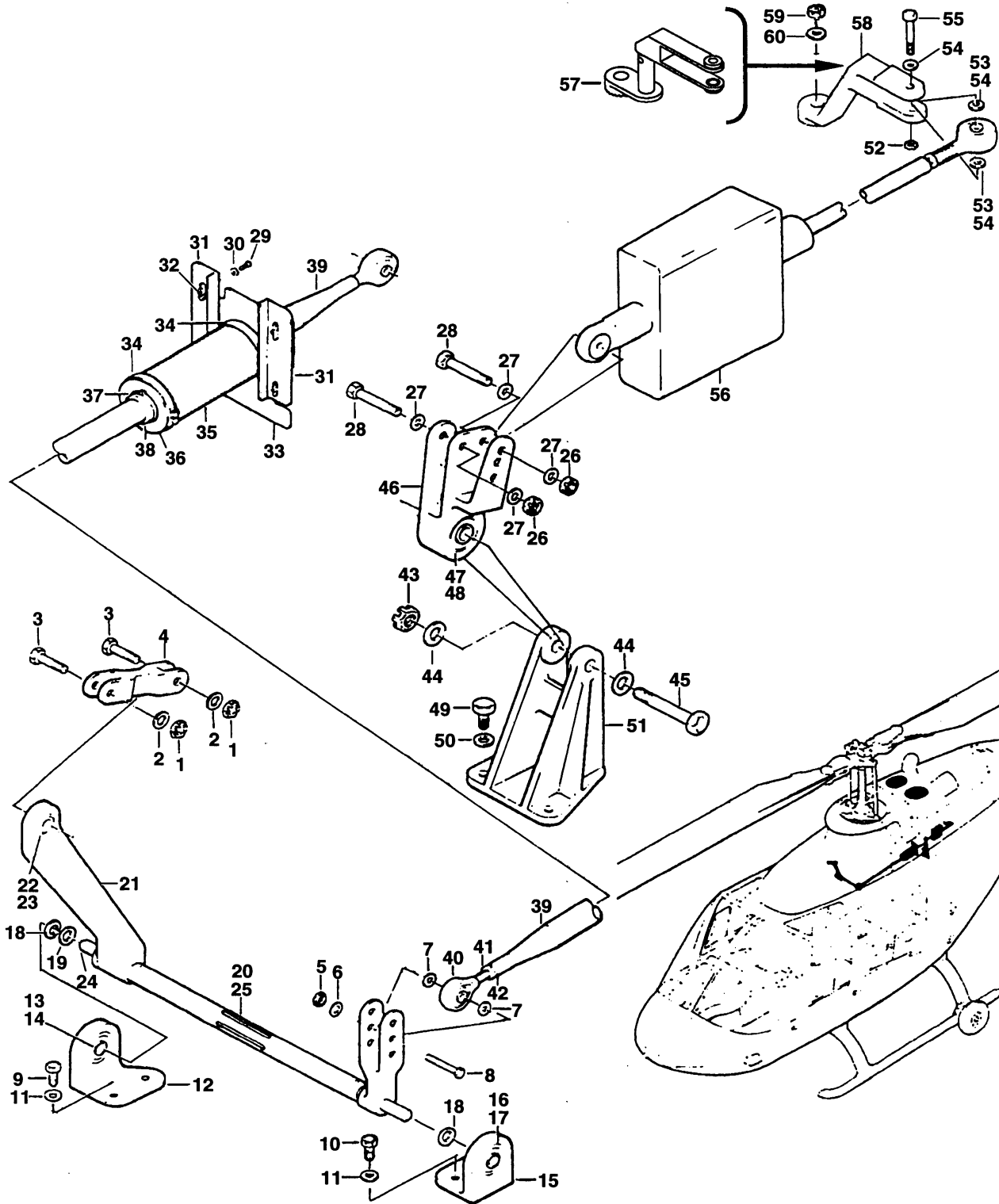
Figure 76-5. Control installation, droop compensator (S/N 4 thru 913)

(1) INDEX NUMBER	(2) PART NUMBER	(3) ITEM NAME	(4) UNIT PER ASSY	(5) A V A I L	(6) U O C
		FIGURE: 76-5. Control installation, droop compensator (S/ N 4 thru 913)			
	206-061-701-003	CONTROLS INSTL, DROOP COMPENSATOR	1		
	206-061-701-007	CONTROLS INSTL, DROOP COMPENSATOR	1		
	206-061-701-005	CONTROLS INSTL, DROOP COMPENSATOR	1		
	206-061-701-009	CONTROLS INSTL, DROOP COMPENSATOR	1		
1	AN310-3	.NUT	1	1	
2	AN960-10L	.WASHER (REPLACED BY NAS1149F0332P)	2		
2	NAS1149F0332P	.WASHER (REPLACES AN960-10L)	2		
3	AN960-10	.WASHER (REPLACED BY NAS1149F0363P)	2		
3	NAS1149F0363P	.WASHER (REPLACES AN960-10)	2	1	
4	AN3-7	.BOLT	1	1	
5	HRBL3	.ROD END	1	1	
6	AN315-3R	.NUT	1	1	C
7	206-060-750-001	.SLIDER ASSY	1	1	
8	AN316-6R	.NUT	1	1	A
8	NAS509-6	.NUT	1	1	D
9	SK740-3	.BALL JOINT (REPLACED BY 111B0027-3)	1		C
9	111B0027-3	.BALL JOINT (REPLACES SK740-3)	1	1	
10	AN316-4R	.NUT	1	1	A
10	NAS509-4	.NUT	1	1	D
11	40155-1	.SCRAPER RING (REPLACED BY 211A0009-1)	1	0	C
11	211A0009-1	.SEAL NUT (REPLACES 40155-1)	1		C
11	211A0094	.SEAL NUT	1		F
12	AN316-7R	.NUT	2	1	A
12	NAS509-7	.NUT	2	1	D
13	NAS679A3	.NUT (REPLACED BY MS21042L3)	1		
13	MS21042L3	.NUT (REPLACES NAS679A3)	1	1	
14	AN520-10R8	.SCREW (REPLACED BY MS35207-263)	1		
14	MS35207-263	.SCREW (REPLACES AN520-10R8)	1	1	
15	MS25281-F6	.CLAMP	1		
16	NAS679A3	.NUT (REPLACED BY MS21042L3)	2		
16	MS21042L3	.NUT (REPLACES NAS679A3)	2	1	
17	AN960PD10L	.WASHER (REPLACED BY AN960JD10L)	4		
17	AN960JD10L	.WASHER (REPLACES AN960PD10L) (REPLACED BY NAS1149D0332J)	4		
17	NAS1149D0332J	.WASHER (REPLACES AN960JD10L)	4		
18	AN520-10R8	.SCREW (REPLACED BY MS35207-263)	2		
18	MS35207-263	.SCREW (REPLACES AN520-10R8)	2	1	
19	MS25281-F6	.CLAMP	2		
20	NAS679A3	.NUT (REPLACED BY MS21042L3)	1		
20	MS21042L3	.NUT (REPLACES NAS679A3)	1	1	
21	AN960PD10L	.WASHER (REPLACED BY AN960JD10L)	1		
21	AN960JD10L	.WASHER (REPLACES AN960PD10L) (REPLACED BY NAS1149D0332J)	1		
21	NAS1149D0332J	.WASHER (REPLACES AN960JD10L)	1		
22	AN520-10R7	.SCREW (REPLACED BY MS35207-262)	1		
22	MS35207-262	.SCREW (REPLACES AN520-10R7)	1	1	
23	MS25281-F6	.CLAMP	1		
24	NAS679A3	.NUT (REPLACED BY MS21042L3)	2		
24	MS21042L3	.NUT (REPLACES NAS679A3)	2	1	

(1) INDEX NUMBER	(2) PART NUMBER	(3) ITEM NAME	(4) UNIT PER ASSY	(5) A V A I L	(6) U O C
FIGURE: 76-5. Control installation, droop compensator (S/ N 4 thru 913) (Cont'd)					
25	NAS1197-10L	.WASHER	4	1	
26	AN520-10R12	.SCREW (REPLACED BY MS35207-265)	2		C
26	MS35207-265	.SCREW (REPLACES AN520-10R12)	2	1	C
27	206-061-523-001	.SUPPORT	1		
28	NAS679A3	.NUT (REPLACED BY MS21042L3)	2		
28	MS21042L3	.NUT (REPLACES NAS679A3)	2	1	
29	AN960PD10L	.WASHER (REPLACED BY AN960JD10L)	2		
29	AN960JD10L	.WASHER (REPLACES AN960PD10L) (REPLACED BY NAS1149D0332J)	2		
29	NAS1149D0332J	.WASHER (REPLACES AN960JD10L)	2		
30	AN520-10R7	.SCREW (REPLACED BY MS35207-262)	2		
30	MS35207-262	.SCREW (REPLACES AN520-10R7)	2	1	
31	MS25281-F6	.CLAMP	1		
32	20-032-1	.BRACKET	1	1	
33	MS27039-1-07	.SCREW	6	1	
34	AN960PD10L	.WASHER (REPLACED BY AN960JD10L)	6		
34	AN960JD10L	.WASHER (REPLACES AN960PD10L) (REPLACED BY NAS1149D0332J)	6		
34	NAS1149D0332J	.WASHER (REPLACES AN960JD10L)	6		
35	206-061-730-001	.SUPPORT ASSY	2	6	
36	410MV	.CONTROL ASSY (REPLACED BY 412B0221)	1		C
36	412B0221	.CONTROL ASSY (REPLACES 410MV)	1	1	
37	AN316-7R	.NUT	2	1	A
37A	AN316-7R	.NUT	1	1	D
37B	NAS509-7	.NUT	1	1	D
38	40155-1	.SCRAPER RING (REPLACED BY 211A0009-1)	1	0	C
38	211A0009-1	.SEAL NUT (REPLACES 40155-1)	1		C
38	211A0094	.SEAL NUT	1		F
39	AN316-4R	.NUT	1	1	A
39	NAS509-4	.NUT	1	1	D
40	111B0060	.BALL JOINT	1	6	
41	AN316-4R	.NUT	1	1	A
41	NAS509-4	.NUT	1	1	D
42	AN320-3	.NUT	1	1	
43	AN960-10	.WASHER (REPLACED BY NAS1149F0363P)	2		
43	NAS1149F0363P	.WASHER (REPLACES AN960-10)	2	1	
44	AN173-10	.BOLT	1	1	
45	AN951REB3N	.BEARING (REPLACED BY MS21153-1)	1	0	A
45	MS21153-1	.BEARING (REPLACES AN951REB3N)	1	1	A
45	206-061-719-001	.ROD END	1	1	D
46	AN320-3	.NUT	2	1	
47	AN960-10	.WASHER (REPLACED BY NAS1149F0363P)	2		
47	NAS1149F0363P	.WASHER (REPLACES AN960-10)	2	1	
48	AN960-10	.WASHER (REPLACED BY NAS1149F0363P)	2		C
48	NAS1149F0363P	.WASHER (REPLACES AN960-10)	2	1	C
49	AN960-10L	.WASHER (REPLACED BY NAS1149F0332P)	3		F
49	NAS1149F0332P	.WASHER (REPLACES AN960-10L)	3		F
50	AN173-14	.BOLT	1	1	
51	AN173-10	.BOLT	1	1	C

(1) INDEX NUMBER	(2) PART NUMBER	(3) ITEM NAME	(4) UNIT PER ASSY	(5) A V A I L	(6) U O C
FIGURE: 76-5. Control installation, droop compensator (S/ N 4 thru 913) (Cont'd)					
51	AN173-11	.BOLT (REPLACED BY AN173-12)	1	1	F
51	AN173-12	.BOLT (NOTE 1) (REPLACES AN173-11)	1	1	F
52	206-061-735-001	.PLATE	2	1	
53	544086-1-1	.ACTUATOR (REPLACED BY 544086-2-1)	1		C
53	544086-2-1	.ACTUATOR (REPLACES 544086-1-1)	1	0	F
54	206-061-737-001	.LEVER ASSY (REPLACED BY 206-061-107-001 AND -003)	1	0	C
54	206-061-737-011	.LEVER ASSY (REPLACED BY 206-061-107-001 AND -003)	1		F
55	206-061-737-009	..FITTING ASSY (USBL ON 206-061-737-001)	1		
55	206-061-737-013	..FITTING ASSY (USBL ON 206-061-737-011)	1	6	
56	22-005-12-10-14	..BUSHING	2	6	
57	206-061-737-007	..HEAD ASSY	1	6	
58	206-061-107-001	.LEVER ASSY (NOTE 1) (REPLACES 206-061-737-001 AND -011) (REPLACED BY 206-061-107-003)	1	1	
58A	206-061-107-003	.LEVER ASSY (NOTE 1) (REPLACES 206-061-737-001, -011 AND 206-061-107-001)	1	1	
59	AN320-4	.NUT	1	1	
60	AN960-416	.WASHER (REPLACED BY NAS1149F0463P)	4	1	
60	NAS1149F0463P	.WASHER (REPLACES AN960-416)	4		
61	AN960-416	.WASHER (REPLACED BY NAS1149F0463P)	2	1	C
61	NAS1149F0463P	.WASHER (REPLACES AN960-416)	2		C
62	AN174-13	.BOLT	1	1	
63	206-061-734-001	.BELLCRANK ASSY	1	1	
64	MS20200KP4	..BEARING (REPLACED BY MS27640-4)	1	0	
64	MS27640-4	..BEARING (REPLACES MS20200KP4)	1	1	
65	120-011-4A	..SLEEVE	1	1	
66	AN175-6A	.BOLT	1	1	
67	MS35337-45	.WASHER (REPLACED BY MS35338-45)	1		
67	MS35338-45	.WASHER (REPLACES MS35337-45)	1	1	
68	206-061-738-001	.BRACKET	1	1	
69	NAS679A4	.NUT (REPLACED BY MS21042L4)	1	0	
69	MS21042L4	.NUT (REPLACES NAS679A4)	1	1	
70	AN960-416	.WASHER (REPLACED BY NAS1149F0463P)	1	1	
70	NAS1149F0463P	.WASHER (REPLACES AN960-416)	1		
71	AN4-3A	.BOLT	1	1	
72	NAS679A4	.NUT (REPLACED BY MS21042L4)	1	0	
72	MS21042L4	.NUT (REPLACES NAS679A4)	1	1	
73	AN960-416	.WASHER (REPLACED BY NAS1149F0463P)	1	1	
73	NAS1149F0463P	.WASHER (REPLACES AN960-416)	1		
74	AN960-416	.WASHER (REPLACED BY NAS1149F0463P)	3	1	F
74	NAS1149F0463P	.WASHER (REPLACES AN960-416)	3		F
75	AN4-3A	.BOLT	1	1	C
75	AN4-6A	.BOLT	1	1	F
76	206-061-733-001	.SUPPORT ASSY	1		B
76	206-061-733-003	.SUPPORT ASSY	1	0	E
76	206-061-733-005	.SUPPORT ASSY	1	1	F

(1) INDEX NUMBER	(2) PART NUMBER	(3) ITEM NAME	(4) UNIT PER ASSY	(5) A V A I L	(6) U O C																					
		<p>FIGURE: 76-5. Control installation, droop compensator (S/ N 4 thru 913) (Cont'd)</p> <p>NOTE 1: THE AN173-12 BOLT IS TO BE USED WITH 206-061-107-001 AND -003 LEVERS.</p> <p style="text-align: center;">USABLE ON CODES</p> <table border="0" style="width: 100%;"> <thead> <tr> <th style="text-align: left;">CODE</th> <th style="text-align: left;">MODEL</th> <th style="text-align: left;">SERIAL NUMBER</th> </tr> </thead> <tbody> <tr> <td>A</td> <td>206A</td> <td>4 THRU 53</td> </tr> <tr> <td>B</td> <td>206A</td> <td>4 THRU 153</td> </tr> <tr> <td>C</td> <td>206A</td> <td>4 THRU 303</td> </tr> <tr> <td>D</td> <td>206A/B</td> <td>54 THRU 913</td> </tr> <tr> <td>E</td> <td>206A/B</td> <td>154 THRU 303</td> </tr> <tr> <td>F</td> <td>206A/B</td> <td>304 THRU 913</td> </tr> </tbody> </table> <p>1) UNLESS A USABLE ON PART NUMBER IS LISTED IN THE ITEM NAME COLUMN; NO CODE INDICATES THE PART APPLIES TO ALL SERIAL NUMBERS.</p> <p>2) IF THE SERIAL NUMBER IS BLANK THE PART APPLIES TO ALL SERIAL NUMBERS FOR THAT MODEL.</p>	CODE	MODEL	SERIAL NUMBER	A	206A	4 THRU 53	B	206A	4 THRU 153	C	206A	4 THRU 303	D	206A/B	54 THRU 913	E	206A/B	154 THRU 303	F	206A/B	304 THRU 913			
CODE	MODEL	SERIAL NUMBER																								
A	206A	4 THRU 53																								
B	206A	4 THRU 153																								
C	206A	4 THRU 303																								
D	206A/B	54 THRU 913																								
E	206A/B	154 THRU 303																								
F	206A/B	304 THRU 913																								



206A/B/B3-76-1006
C0000

Figure 76-6. Controls installation, droop compensator (S/N 914 thru sub)

(1) INDEX NUMBER	(2) PART NUMBER	(3) ITEM NAME	(4) UNIT PER ASSY	(5) A V A I L	(6) U O C
		FIGURE: 76-6. Controls installation, droop compensator (S/N 914 thru sub)			
	206-062-701-001	CONTROLS INSTL, DROOP COMPENSATOR	1		
1	AN320-3	.NUT	2		
2	AN960PD10	.WASHER (REPLACED BY AN960JD10)	2		
2	AN960JD10	.WASHER (REPLACES AN960PD10)	2		
3	AN173-7	.BOLT	2		
4	206-062-705-001	.LINK	1		
5	AN320-3	.NUT	1		
6	AN960PD10	.WASHER (REPLACED BY AN960JD10)	1		
6	AN960JD10	.WASHER (REPLACES AN960PD10)	1		
7	AN960-10L	.WASHER	2		
8	AN173-10	.BOLT	1		
9	AN3-5A	.BOLT	2		
10	AN3-4A	.BOLT	2		
11	AN960PD10	.WASHER (REPLACED BY AN960JD10)	4		
11	AN960JD10	.WASHER (REPLACES AN960PD10)	4		
12	209-060-747-001	.BRACKET ASSY, INBOARD	1		
13	RSST4	..BEARING	1		
		(ALTERNATE PARTS)			
13	LHSSVV-4	..BEARING	1		
13	MS14104-4	..BEARING	1		
14	209-060-738-001	..SLEEVE	1		
15	206-062-716-001	.BRACKET ASSY, OUTBOARD	1		
16	RSST-4	..BEARING (REPLACED BY RSST4)	1		
16	RSST4	..BEARING (REPLACES RSST-4)	1		
		(ALTERNATE PARTS)			
16	LHSSVV-4	..BEARING	1		
16	MS14104-4	..BEARING	1		
17	209-060-738-001	..SLEEVE	1		
18	AN960-416L	.WASHER	2		
19	120-037E20-8	.SHIM	1		
20	206-062-708-005	.TUBE ASSY, TORQUE	1		
21	206-062-717-001	..BELLCRANK ASSY	1		
22	RSST3	...BEARING	1		
		(ALTERNATE PART)			
22	LHSSR-3	...BEARING	1		
23	206-062-714-001	...SLEEVE	1		
24	206-062-707-001	..DOWEL	2		
25	206-062-708-007	..TUBE	1		
26	AN320-3	.NUT	2		
27	AN960-10	.WASHER	4		
28	AN173-10	.BOLT	2		
29	MS27039-1-06	.SCREW	4		
30	AN960-10L	.WASHER	4		
31	206-062-715-001	.SUPPORT ASSY	2		
32	NAS697C3	..NUTPLATE	1		
33	206-062-711-001	.RETAINER ASSY	1		
34	AN737TW56	.CLAMP	2		
35	209-060-754-001	.BOOT ASSY	1		
36	209-060-753-001	.RETAINER	1		

(1) INDEX NUMBER	(2) PART NUMBER	(3) ITEM NAME	(4) UNIT PER ASSY	(5) A V A I L	(6) U O C
FIGURE: 76-6. Controls installation, droop compensator (S/N 914 thru sub) (Cont'd)					
37	MS16624-1081	.RETAINER	1		
38	204-060-769-001	.BUSHING, SPLIT	1		
39	206-062-713-001	.ROD ASSY	1		
40	204-061-717-001	..BEARING	1		
41	AN316-4R	..NUT	1		
42	AN960PD416	..WASHER (REPLACED BY AN960JD416)	1		
42	AN960JD416	..WASHER (REPLACES AN960PD416)	1		
43	AN320-4	.NUT	1		
44	AN960PD416	.WASHER (REPLACED BY AN960JD416)	2		
44	AN960JD416	.WASHER (REPLACES AN960PD416)	2		
45	AN174-16	.BOLT	1		
46	206-062-723-001	.BELLCRANK ASSY	1		
47	DW4	..BEARING	1		
(ALTERNATE PARTS)					
47	DW4K	..BEARING (REPLACED BY MS27647-4)	1		
47	20-082-4	..BEARING (REPLACED BY MS27647-4)	1		
47	MS27647-4	..BEARING (REPLACES DW4K AND 20-082-4)	1		
48	120-015-4KA	..SLEEVE	1		
49	AN3-5A	.BOLT	3		
50	AN960PD10	.WASHER (REPLACED BY AN960JD10)	3		
50	AN960JD10	.WASHER (REPLACES AN960PD10)	3		
51	206-062-722-001	.SUPPORT	1		
52	AN320-3	.NUT	1		
53	AN960-10	.WASHER (NOTE 1)	2		
54	AN960-10L	.WASHER (NOTE 1)	3		
55	AN173-11	.BOLT (NOTE 1)	1		
55	AN173-12	.BOLT (NOTE 1)	1		
56	206-062-721-001	.ACTUATOR (REPLACED BY SYLC9548-1)	1		
56	SYLC9548-1	.ACTUATOR (REPLACES 206-062-721-001)	1		
(ALTERNATE PARTS)					
56	206-062-721-011	.ACTUATOR	1		
56	206-062-721-107	.ACTUATOR	1		
56	206-062-721-113	.ACTUATOR	1		
57	206-061-737-017	.LEVER ASSY (NOTE 1) (REPLACED BY 206-061-107-001)	1		
58	206-061-107-001	.LEVER ASSY (NOTE 1) (REPLACES 206-061-737-017)	1		
59	MS17825-5	NUT (REPLACED BY MS14144L5)	1		
59	MS14144L5	NUT (REPLACES MS17825-5)	1		
60	AN960C516L	WASHER	1		
NOTE 1: FOR SPARES REPLACEMENT USE 206-061-107-001 LEVER ASSY, AN173-12 BOLT AND AN960-10L WASHERS (3), IN LIEU OF 206-061-737-017 LEVER ASSY, AN173-11 BOLT AND AN960-10 WASHERS (2).					