

CONTENTS - IPB

Figure Number	Figure Title	Chapter/Section Number	Page Number
79-1	Oil system installation, engine	79-99-00	2

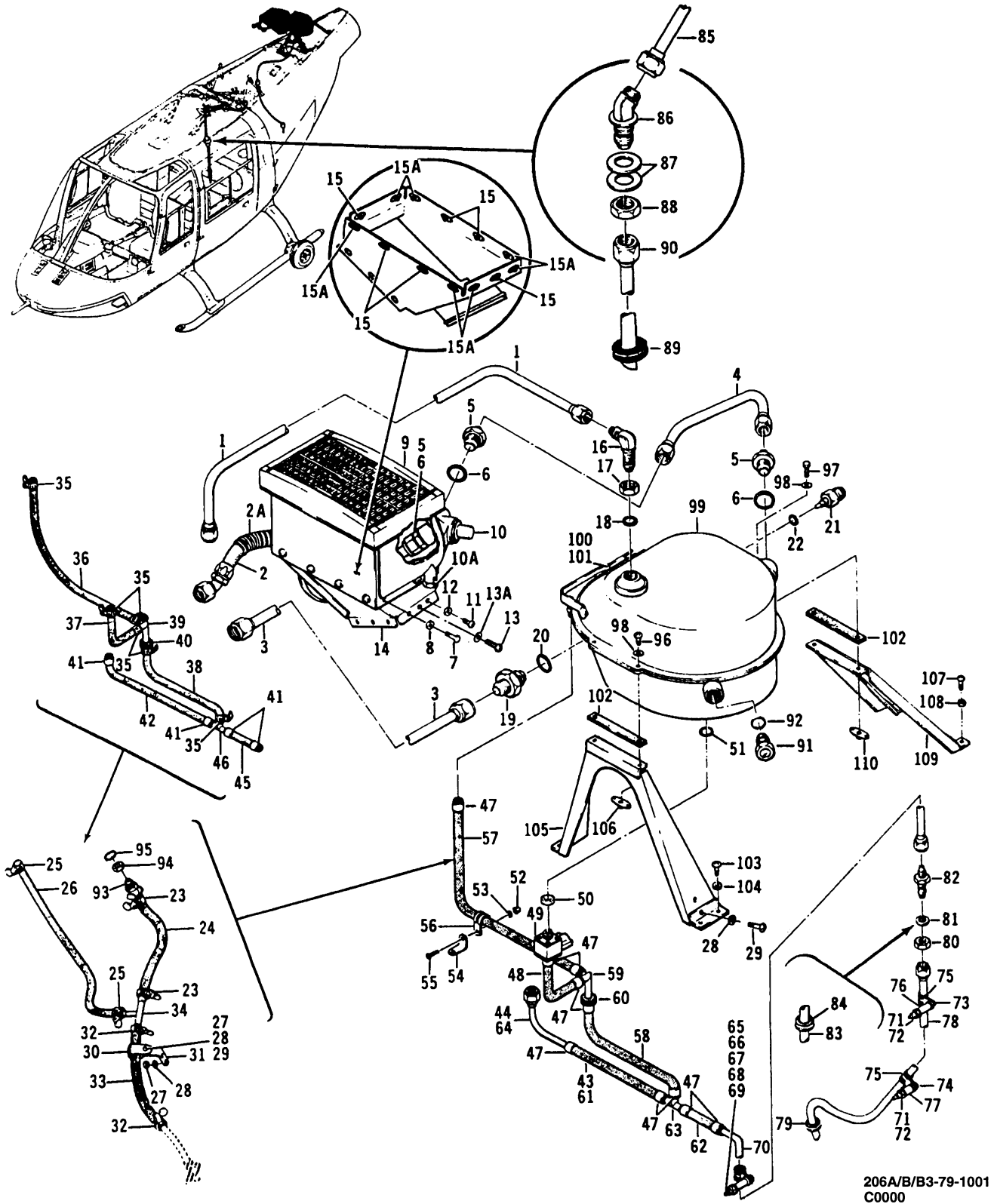


Figure 79-1. Oil system installation, engine

(1) INDEX NUMBER	(2) PART NUMBER	(3) ITEM NAME	(4) UNIT PER ASSY	(5) A V A I L	(6) U O C
		FIGURE: 79-1. Oil system installation, engine			
	206-061-500-001	OIL SYSTEM INSTL, ENGINE	1		
	206-061-500-003	OIL SYSTEM INSTL, ENGINE	1		
	206-061-500-005	OIL SYSTEM INSTL, ENGINE	1		
	206-061-500-007	OIL SYSTEM INSTL, ENGINE (MOD BY S.I. 206-112)	1		
	206-061-500-013	OIL SYSTEM INSTL, ENGINE	1		
	206-061-500-041	OIL SYSTEM INSTL, ENGINE	1		
1	206-061-506-001	.TUBE ASSY, TANK TO ENGINE VENT	1	1	
2	70-010J000C080	.HOSE ASSY (PRE S.I. 206-112) (REPLACED BY 70-061J000C080A)	1	0	
2	70-061J000C080A	.HOSE ASSY (PRE S.I. 206-112) (REPLACES 70-010J000C080)	1		
2	206-061-546-001	.TUBE ASSY (POST S.I. 206-112) (REPLACED BY 206-061-014-101)	1		
2	206-061-014-101	.TUBE ASSY, ENGINE TO OIL COOLER (REPLACES 206-061-546-001)	1	1	
2A	120-067B7	.SLEEVE	1		K
3	206-061-522-001	.TUBE ASSY (REPLACED BY 206-061-541-001 AND 070-061K000B102)	1		
3	206-061-541-001	.TUBE ASSY (REPLACES 206-061-522-001) (REPLACED . . BY 70-061K000B102)	1	0	
3	70-061K000B102	.HOSE ASSY (REPLACES 206-061-522-001 AND 206-061-541-001) (REPLACED BY 70-061K000B102A)	1		
3	70-061K000B102A	.HOSE ASSY (REPLACES 206-061-522-001 AND 206-061-541-001) (REPLACES 70-061K000B102)	1		
4	206-061-502-001	.TUBE ASSY (PRE S.I. 206-112) (REPLACED BY 206-061-540-001)	1		
4	206-061-540-001	.TUBE (PRE S.I. 206-112) (REPLACES 206-061-502-001)	1	1	
4	206-061-549-001	.TUBE ASSY (POST S.I. 206-112)	1	1	
5	AN919-15D	.REDUCER (PRE S.I. 206-112)	3	1	
5	AN815-10D	.UNION (POST S.I. 206-112)	3	1	
6	NAS617-10	.PACKING, PREFORMED (REPLACED BY M83248/1-910)	3		
6	M83248/1-910	.PACKING, PREFORMED (REPLACES NAS617-10)	3	0	
7	AN3-3A	.BOLT	13	1	
8	AN960PD10L	.WASHER (REPLACED BY AN960JD10L)	13		
8	AN960JD10L	.WASHER (REPLACES AN960PD10L) (REPLACED BY NAS1149D0332J)	13		
8	NAS1149D0332J	.WASHER (REPLACES AN960JD10L)	13		
9	8534998	.OIL COOLER (REPLACED BY 206-360-500-101)	1		
9	206-360-500-101	.OIL COOLER (REPLACES 8534998)	1	1	
10	8527855	.VALVE ASSY, VERLATHERM CONTROL	1		
10A	AN814-4DL	.PLUG (REPLACED BY AN814-4WL)	1	1	
10A	AN814-4WL	.PLUG (REPLACES AN814-4DL)	1		
11	MS27039-1-08	.SCREW	10	1	
12	AN960PD10L	.WASHER (REPLACED BY AN960JD10L)	10		
12	AN960JD10L	.WASHER (REPLACES AN960PD10L) (REPLACED BY NAS1149D0332J)	10		
12	NAS1149D0332J	.WASHER (REPLACES AN960JD10L)	10		
13	MS27039-1-08	.SCREW (PRE S.I. 206-112)	2	1	C
13	MS27039-1-06	.SCREW (POST S.I. 206-112)	2	1	

(1) INDEX NUMBER	(2) PART NUMBER	(3) ITEM NAME	(4) UNIT PER ASSY	(5) A V A I L	(6) U O C
		FIGURE: 79-1. Oil system installation, engine (Cont'd)			
13A	AN960PD10L	.WASHER (POST S.I. 206-112) (REPLACED BY AN960JD10L)	2		
13A	AN960JD10L	.WASHER (POST S.I. 206-112) (REPLACES AN960PD10L) (REPLACED BY NAS1149D0332J)	2		
13A	NAS1149D0332J	.WASHER (POST S.I. 206-112) (REPLACES AN960JD10L)	2		
14	206-061-503-001	.DUCT ASSY (PRE S.I. 206-112)	1	1	H
14	206-061-544-001	.DUCT ASSY (POST S.I. 206-112)	1	1	
15	NAS686A3K	.NUTPLATE (REPLACED BY MS21059L3K)	6		
15	MS21059L3K	.NUTPLATE (REPLACES NAS686A3K)	6	1	
15A	MS21061L3K	.NUTPLATE	7	1	
16	AN833-8D	.ELBOW	1	1	
17	AN924-8D	.NUT	1	1	
18	NAS617-8	.PACKING, PREFORMED (REPLACED BY M83248/1-908)	1		
18	M83248/1-908	.PACKING, PREFORMED (REPLACES NAS617-8)	1	1	
19	AN919-20D	.REDUCER	1	1	
20	NAS617-12	.PACKING, PREFORMED (REPLACED BY M83248/1-912)	1		
20	M83248/1-912	.PACKING, PREFORMED (REPLACES NAS617-12)	1	1	
21	MS28034-3	.BULB, TRANSMITTER	1	1	
22	NAS617-4	.PACKING, PREFORMED (REPLACED BY M83248/1-904)	1		
22	M83248/1-904	.PACKING, PREFORMED (REPLACES NAS617-4)	1	1	
23	AN737TW26	.CLAMP	2	1	F
24	206-061-500-017	.HOSE	1	1	F
25	AN737TW22	.CLAMP	2	1	F
26	206-061-500-015	.HOSE	1	1	F
27	MS21042L3	.NUT	3	1	F
28	AN960PD10L	.WASHER (REPLACED BY AN960JD10L)	6		F
28	AN960JD10L	.WASHER (REPLACES AN960PD10L) (REPLACED BY NAS1149D0332J)	6		F
28	NAS1149D0332J	.WASHER (REPLACES AN960JD10L)	6		F
29	AN520-10R6	.SCREW (REPLACED BY MS35207-261)	3		F
29	MS35207-261	.SCREW (REPLACES AN520-10R6)	3	1	F
30	MS21919DG11	.CLAMP (REPLACED BY MS21919WDG11)	1		F
30	MS21919WDG11	.CLAMP (REPLACES MS21919DG11)	1	1	F
31	206-061-500-021	.CLIP	1	1	F
32	AN737TW26	.CLAMP	2	1	F
33	206-061-500-019	.HOSE ASSY (NOTE 1)	1		F
33	206-061-500-029	.HOSE ASSY (NOTE 1)	1	6	F
34	206-061-512-001	.FITTING	1	1	F
35	30-116-1	.CLAMP (REPLACED BY 30-116-3)	6		L
35	30-116-3	.CLAMP (REPLACES 30-116-1)	6		L
36	110-107-12A-140	.TUBE, DRAIN (REPLACED BY 110-107-12D-140) (MAKE FROM 110-107-12A)	1		L
36	110-107-12A	.TUBE, DRAIN (REPLACED BY 110-107-12D-140)	1		L
36	110-107-12D-140	.TUBE, DRAIN (REPLACES 110-107-12A-140) (MAKE FROM 110-107-12D)	1		L
36	110-107-12D	.TUBE, DRAIN (REPLACES 110-107-12A-140)	1	1	L
37	110-107-17A-050	.TUBE, DRAIN (MAKE FROM 110-107-17A)	1		L
37	110-107-17A	.TUBE, DRAIN	1	1	L

(1) INDEX NUMBER	(2) PART NUMBER	(3) ITEM NAME	(4) UNIT PER ASSY	(5) A V A I L	(6) U O C
		FIGURE: 79-1. Oil system installation, engine (Cont'd)			
38	110-107-17A-170	.TUBE, DRAIN (REPLACED BY 110-107-17D-170) (MAKE FROM 110-107-17A)	1		L
38	110-107-17A	.TUBE, DRAIN (REPLACED BY 110-107-17D-170)	1	1	L
38	110-107-17D-170	.TUBE, DRAIN (REPLACES 110-107-17A-170) (MAKE FROM 110-107-17D)	1		L
38	110-107-17D	.TUBE, DRAIN (REPLACES 110-107-17A-170)	1	1	L
39	206-061-542-001	.FITTING ASSY	1	1	L
40	MS35489-11	.GROMMET (POST S.I. 206-112)	1	1	L
41	30-116-1	.CLAMP (PRE S.I. 206-112) (REPLACED BY 30-116-3)	4		L
41	30-116-3	.CLAMP (PRE S.I. 206-112) (REPLACES 30-116-1)	4		L
41	AN737TW22	.CLAMP (POST S.I. 206-112)	4	1	L
42	110-107-17A-105	.TUBE, DRAIN (PRE SI 206-112) (REPLACED BY 110-107-17D-105) (MAKE FROM 110-107-17A)	1		L
42	110-107-17A	.TUBE, DRAIN (PRE SI 206-112) (REPLACED BY 110-107-17D-105)	1	1	L
42	110-107-17D-105	.TUBE, DRAIN (PRE S.I. 206-112) (REPLACES 110-107-17A-105) (MAKE FROM 110-107-17D)	1		L
42	110-107-17D	.TUBE, DRAIN (PRE S.I. 206-112) (REPLACES 110-107-17A-105)	1	1	L
43	110-107-17A-113	.TUBE, DRAIN (POST S.I. 206-112) (MAKE FROM 110-107-17A)	1		I
43	110-107-17A	.TUBE, DRAIN (POST S.I. 206-112)	1	1	I
44	206-061-547-001	.TUBE, DRAIN (POST S.I. 206-112)	1	1	I
45	110-107-17A-050	.TUBE, DRAIN (POST S.I. 206-112) (REPLACED BY 110-107-17D-050) (MAKE FROM 110-107-17A)	1		I
45	110-107-17A	.TUBE, DRAIN (POST S.I. 206-112) (REPLACED BY 110-107-17D-050)	1	1	I
45	110-107-17D-050	.TUBE, DRAIN (REPLACES 110-107-17A-050) (MAKE FROM 110-107-17D)	1		I
45	110-107-17D	.TUBE, DRAIN (REPLACES 110-107-17A-050)	1	1	I
46	206-061-543-001	.TEE ASSY (POST S.I. 206-112)	1	1	I
47	30-116-1	.CLAMP (REPLACED BY 30-116-3)	10		N
47	30-116-3	.CLAMP (REPLACES 30-116-1)	10		N
48	110-107-17A-050	.TUBE, DRAIN (REPLACED BY 110-107-17D-050) (MAKE FROM 110-107-17A)	1		N
48	110-107-17A	.TUBE, DRAIN (REPLACED BY 110-107-17D-050)	1	1	N
48	110-107-17D-050	.TUBE, DRAIN (REPLACES 110-107-17A-050) (MAKE FROM 110-107-17D)	1		N
48	110-107-17D	.TUBE, DRAIN (REPLACES 110-107-17A-050)	1	1	N
49	475C14NW	.VALVE, DRAIN (REPLACED BY 465C56NB)	1		N
49	465C56NB	.VALVE, DRAIN (REPLACES 475C14NW) (REPLACED BY 465C-56NB)	1	0	N
49	465C-56NB	.VALVE, DRAIN (REPLACES 475C14NW) (REPLACES 465C56NB)	1	1	N
50	AN924-6D	.NUT (USE WITH 465C56NB)	1	1	N
51	NAS617-6	.PACKING, PREFORMED (REPLACED BY M83248/1-906)	1		N
51	M83248/1-906	.PACKING, PREFORMED (REPLACES NAS617-6)	1	1	N
52	MS21042L3	.NUT	1	1	N
53	AN960PD10L	.WASHER (REPLACED BY AN960JD10L)	1		N

(1) INDEX NUMBER	(2) PART NUMBER	(3) ITEM NAME	(4) UNIT PER ASSY	(5) A V A I L	(6) U O C
FIGURE: 79-1. Oil system installation, engine (Cont'd)					
53	AN960JD10L	.WASHER (REPLACES AN960PD10L) (REPLACED BY NAS1149D0332J)	1		N
53	NAS1149D0332J	.WASHER (REPLACES AN960JD10L)	1		N
54	20-032-3C	.BRACKET	1	1	N
55	MS27039-1-08	.SCREW	1	1	N
56	MS21919WDG6	.CLAMP	1	1	N
57	110-107-12A-140	.TUBE, DRAIN (REPLACED BY 110-107-12D-140) (MAKE . FROM 110-107-12A)	1		N
57	110-107-12A	.TUBE, DRAIN (REPLACED BY 110-107-12D-140)	1		N
57	110-107-12D-140	.TUBE, DRAIN (REPLACES 110-107-12A-140) (MAKE . . . FROM 110-107-12D)	1		N
57	110-107-12D	.TUBE, DRAIN (REPLACES 110-107-12A-140)	1	1	N
58	110-107-18A-170	.TUBE, DRAIN (REPLACED BY 110-107-18D-170) (MAKE . FROM 110-107-18A)	1		N
58	110-107-18A	.TUBE, DRAIN (REPLACED BY 110-107-18D-170)	1	0	N
58	110-107-18D-170	.TUBE, DRAIN (REPLACES 110-107-18A-170) (MAKE . . . FROM 110-107-18D)	1		N
58	110-107-18D	.TUBE, DRAIN (REPLACES 110-107-18A-170)	1	1	N
59	206-061-542-001	.FITTING ASSY	1	1	N
60	MS35489-11	.GROMMET	1	1	N
61	110-107-18A-105	.TUBE, DRAIN (REPLACED BY 110-107-18D-105) (MAKE FROM 110-107-18A)	1		N
61	110-107-18A	.TUBE, DRAIN (REPLACED BY 110-107-18D-105)	1	0	N
61	110-107-18D-105	.TUBE, DRAIN (REPLACES 110-107-18A-105) (MAKE . . . FROM 110-107-18D)	1		N
61	110-107-18D	.TUBE, DRAIN (REPLACES 110-107-18A-105)	1	1	N
62	110-107-18A-050	.TUBE, DRAIN (REPLACED BY 110-107-18D-050) (MAKE . FROM 110-107-18A)	1		N
62	110-107-18A	.TUBE (REPLACED BY 110-107-18D-050)	1	0	N
62	110-107-18D-050	.TUBE, DRAIN (REPLACES 110-107-18A-050) (MAKE . . . FROM 110-107-18D)	1		N
62	110-107-18D	.TUBE (REPLACES 110-107-18A-050)	1	1	N
63	206-061-543-001	.TEE ASSY	1	1	N
64	206-061-548-001	.TUBE ASSY	1	1	N
65	NAS679A3	.NUT (REPLACED BY MS21042L3)	1		
65	MS21042L3	.NUT (REPLACES NAS679A3)	1	1	
66	AN960PD10L	.WASHER (REPLACED BY AN960JD10L)	2		
66	AN960JD10L	.WASHER (REPLACES AN960PD10L) (REPLACED BY NAS1149D0332J)	2		
66	NAS1149D0332J	.WASHER (REPLACES AN960JD10L)	2		
67	NAS43DD3-96	.SPACER (REPLACED BY NAS43DD3-96N)	1		
67	NAS43DD3-96N	.SPACER (REPLACES NAS43DD3-96)	1	1	
68	AN520-10R30	.SCREW	1	1	
69	MS21919DG6	.CLAMP (REPLACED BY MS21919WDG6)	1		
69	MS21919WDG6	.CLAMP (REPLACES MS21919DG6)	1	1	
70	206-061-517-001	.TUBE ASSY, DRAIN (NOTE 2)	1	1	
71	NAS679A3	.NUT (REPLACED BY MS21042L3)	2		
71	MS21042L3	.NUT (REPLACES NAS679A3)	2	1	
72	AN960PD10L	.WASHER (REPLACED BY AN960JD10L)	4		

(1) INDEX NUMBER	(2) PART NUMBER	(3) ITEM NAME	(4) UNIT PER ASSY	(5) A V A I L	(6) U O C
		FIGURE: 79-1. Oil system installation, engine (Cont'd)			
72	AN960JD10L	.WASHER (REPLACES AN960PD10L) (REPLACED BY NAS1149D0332J)	4		
72	NAS1149D0332J	.WASHER (REPLACES AN960JD10L)	4		
73	AN520-10R22	.SCREW	1	1	
74	AN520-10R10	.SCREW (REPLACED BY MS35207-264)	1	0	
74	MS35207-264	.SCREW (REPLACES AN520-10R10)	1	1	
75	MS21919DG6	.CLAMP (REPLACED BY MS21919WDG6)	2		
75	MS21919WDG6	.CLAMP (REPLACES MS21919DG6)	2	1	
76	NAS43DD3-64	.SPACER (REPLACED BY NAS43DD3-64N)	1		
76	NAS43DD3-64N	.SPACER (REPLACES NAS43DD3-64)	1		
77	NAS43DD3-48	.SPACER (REPLACED BY NAS43DD3-48N)	1		
77	NAS43DD3-48N	.SPACER (REPLACES NAS43DD3-48)	1	1	
78	206-061-518-001	.TUBE ASSY (NOTE 2)	1	1	
79	MS35489-40	.GROMMET	1	1	
80	AN924-6D	.NUT (NOTE 2)	1	1	
81	AN960PD616L	.WASHER (NOTE 2) (REPLACED BY AN960JD616L)	1		
81	AN960JD616L	.WASHER (NOTE 2) (REPLACES AN960PD616L) (REPLACED BY NAS1149D0616J)	1	1	
81	NAS1149D0616J	.WASHER (NOTE 2) (REPLACES AN960JD616L)	1		
82	AN832-6D	.UNION (NOTE 2)	1	1	
83	206-061-525-001	.TUBE ASSY, OIL TANK DRAIN (NOTE 1)	1	1	
84	MS35489-9	.GROMMET (NOTE 2)	1	1	
85	206-061-520-001	.TUBE ASSY	1	1	B
86	AN837-12D	.ELBOW	1	1	B
87	AN960PD1716	.WASHER (REPLACED BY AN960JD1716)	2		B
87	AN960JD1716	.WASHER (REPLACES AN960PD1716) (REPLACED BY NAS1149D1790J)	2	1	B
87	NAS1149D1790J	.WASHER (REPLACES AN960JD1716)	2		B
88	AN924-12D	.NUT	1	1	B
89	MS35489-135	.GROMMET	1	1	B
90	206-061-521-001	.TUBE ASSY	1	1	B
91	S53T	.PLUG	1		E
91	S53B	.SIGHT GLASS	1	1	K
92	NAS617-8	.PACKING, PREFORMED (REPLACED BY M83248/1-908)	1		M
92	M83248/1-908	.PACKING, PREFORMED (REPLACES NAS617-8)	1	1	M
93	475C14	.VALVE, DRAIN (REPLACED BY 475C14NW)	1		G
93	475C14NW	.VALVE, DRAIN (REPLACES 475C14) (REPLACED BY 465C56NB)	1		
93	465C56NB	.VALVE, DRAIN (REPLACES 475C14NW) (REPLACED BY 465C-56NB)	1	0	
93	465C-56NB	.VALVE, DRAIN (REPLACES 475C14NW) (REPLACES 465C56NB)	1	1	
94	AN924-6D	.NUT (USE WITH 465C56NB)	1	1	
95	NAS617-6	.PACKING, PREFORMED (REPLACED BY M83248/1-906)	1		
95	M83248/1-906	.PACKING, PREFORMED (REPLACES NAS617-6)	1	1	
96	MS27039-1-08	.SCREW	2	1	
97	AN3-3A	.BOLT	2	1	
98	AN960PD10L	.WASHER (REPLACED BY AN960JD10L)	4		
98	AN960JD10L	.WASHER (REPLACES AN960PD10L) (REPLACED BY NAS1149D0332J)	4		

(1) INDEX NUMBER	(2) PART NUMBER	(3) ITEM NAME	(4) UNIT PER ASSY	(5) A V A I L	(6) U O C
FIGURE: 79-1. Oil system installation, engine (Cont'd)					
98	NAS1149D0332J	.WASHER (REPLACES AN960JD10L)	4		
99	206-061-505-001	.OIL TANK (REPLACED BY 206-061-505-003)	1		D
99	206-061-505-003	.OIL TANK ASSY (REPLACES 206-061-505-001)	1	1	
100	436-9	..CAP AND ADAPTER ASSY	1	1	
101	MS29561-226	... PACKING, PREFORMED (REPLACED BY M83248/1-226)	1	1	
101	M83248/1-226	... PACKING, PREFORMED (REPLACES MS29561-226)	1	1	
102	206-061-511-001	.PAD	2	1	
103	MS27039-1-08	.SCREW	4	1	
103	MS27039-1-06	.SCREW (POST S.I. 206-112)	4	1	
104	AN960PD10L	.WASHER (REPLACED BY AN960JD10L)	4		
104	AN960JD10L	.WASHER (REPLACES AN960PD10L) (REPLACED BY NAS1149D0332J)	4		
104	NAS1149D0332J	.WASHER (REPLACES AN960JD10L)	4		
105	206-061-507-001	.SUPPORT, FWD (REPLACED BY 206-061-507-003)	1		G
105	206-061-507-003	.SUPPORT, FWD (REPLACES 206-061-507-001)	1	1	
106	NAS1067A3	..NUTPLATE (REPLACED BY MS21086L3)	2		
106	MS21086L3	..NUTPLATE (REPLACES NAS1067A3)	2	1	
107	MS27039-1-08	.SCREW	2	1	
108	AN960PD10L	.WASHER (REPLACED BY AN960JD10L)	2		
108	AN960JD10L	.WASHER (REPLACES AN960PD10L) (REPLACED BY NAS1149D0332J)	2		
108	NAS1149D0332J	.WASHER (REPLACES AN960JD10L)	2		
109	206-061-508-001	.SUPPORT, AFT	1		A
109	206-061-508-003	.SUPPORT, AFT (REPLACED BY 206-061-508-005)	1	0	J
109	206-061-508-005	.SUPPORT, AFT (REPLACES 206-061-508-003)	1	1	J
110	NAS1067A3	..NUTPLATE (REPLACED BY MS21086L3)	2		
110	MS21086L3	..NUTPLATE (REPLACES NAS1067A3)	2	1	
NOTE 1: WHEN 206-062-525-001 TUBE IS INSTALLED, USE 206-061-500-029 HOSE IN LIEU OF 206-061-500-019 HOSE.					
NOTE 2: AS AN ALTERNATE THE 206-061-525-001 TUBE ASSY MAY BE USED IN LIEU OF THE 206-061-517-001 AND 206-061-518-001 TUBE ASSY. OMIT THE AN832-6D UNION, AN92406D NUT AND AN960PD616L WASHER AND USE A MS35489-9 GROMMET.					

(1) INDEX NUMBER	(2) PART NUMBER	(3) ITEM NAME	(4) UNIT PER ASSY	(5) A V A I L	(6) U O C																																													
		<p>FIGURE: 79-1. Oil system installation, engine (Cont'd)</p> <p style="text-align: center;">USABLE ON CODES</p> <table border="0" style="width: 100%;"> <thead> <tr> <th style="text-align: left;">CODE</th> <th style="text-align: left;">MODEL</th> <th style="text-align: left;">SERIAL NUMBER</th> </tr> </thead> <tbody> <tr><td>A</td><td>206A</td><td>4-53</td></tr> <tr><td>B</td><td>206A</td><td>4-153</td></tr> <tr><td>C</td><td>206A</td><td>204-303</td></tr> <tr><td>D</td><td>206A</td><td>4-203</td></tr> <tr><td>E</td><td>206A/B</td><td>4-1903</td></tr> <tr><td>F</td><td>206A/B</td><td>4-2211</td></tr> <tr><td>G</td><td>206A/B</td><td>4-203, 1904-2211</td></tr> <tr><td>H</td><td>206A/B/BIII</td><td>4-303, 1904-SUB</td></tr> <tr><td>I</td><td>206A/B/BIII</td><td>54-SUB</td></tr> <tr><td>J</td><td>206A/B/BIII</td><td>204-SUB</td></tr> <tr><td>K</td><td>206A/B/BIII</td><td>304-SUB</td></tr> <tr><td>L</td><td>206B</td><td>1904-2211</td></tr> <tr><td>M</td><td>206B/BIII</td><td>498-2211</td></tr> <tr><td>N</td><td>206BIII</td><td>2212-SUB</td></tr> </tbody> </table> <p>1) UNLESS A USABLE ON PART NUMBER IS LISTED IN THE ITEM NAME COLUMN; NO CODE INDICATES THE PART APPLIES TO ALL SERIAL NUMBERS.</p> <p>2) IF THE SERIAL NUMBER IS BLANK THE PART APPLIES TO ALL SERIAL NUMBERS FOR THAT MODEL.</p>	CODE	MODEL	SERIAL NUMBER	A	206A	4-53	B	206A	4-153	C	206A	204-303	D	206A	4-203	E	206A/B	4-1903	F	206A/B	4-2211	G	206A/B	4-203, 1904-2211	H	206A/B/BIII	4-303, 1904-SUB	I	206A/B/BIII	54-SUB	J	206A/B/BIII	204-SUB	K	206A/B/BIII	304-SUB	L	206B	1904-2211	M	206B/BIII	498-2211	N	206BIII	2212-SUB			
CODE	MODEL	SERIAL NUMBER																																																
A	206A	4-53																																																
B	206A	4-153																																																
C	206A	204-303																																																
D	206A	4-203																																																
E	206A/B	4-1903																																																
F	206A/B	4-2211																																																
G	206A/B	4-203, 1904-2211																																																
H	206A/B/BIII	4-303, 1904-SUB																																																
I	206A/B/BIII	54-SUB																																																
J	206A/B/BIII	204-SUB																																																
K	206A/B/BIII	304-SUB																																																
L	206B	1904-2211																																																
M	206B/BIII	498-2211																																																
N	206BIII	2212-SUB																																																

