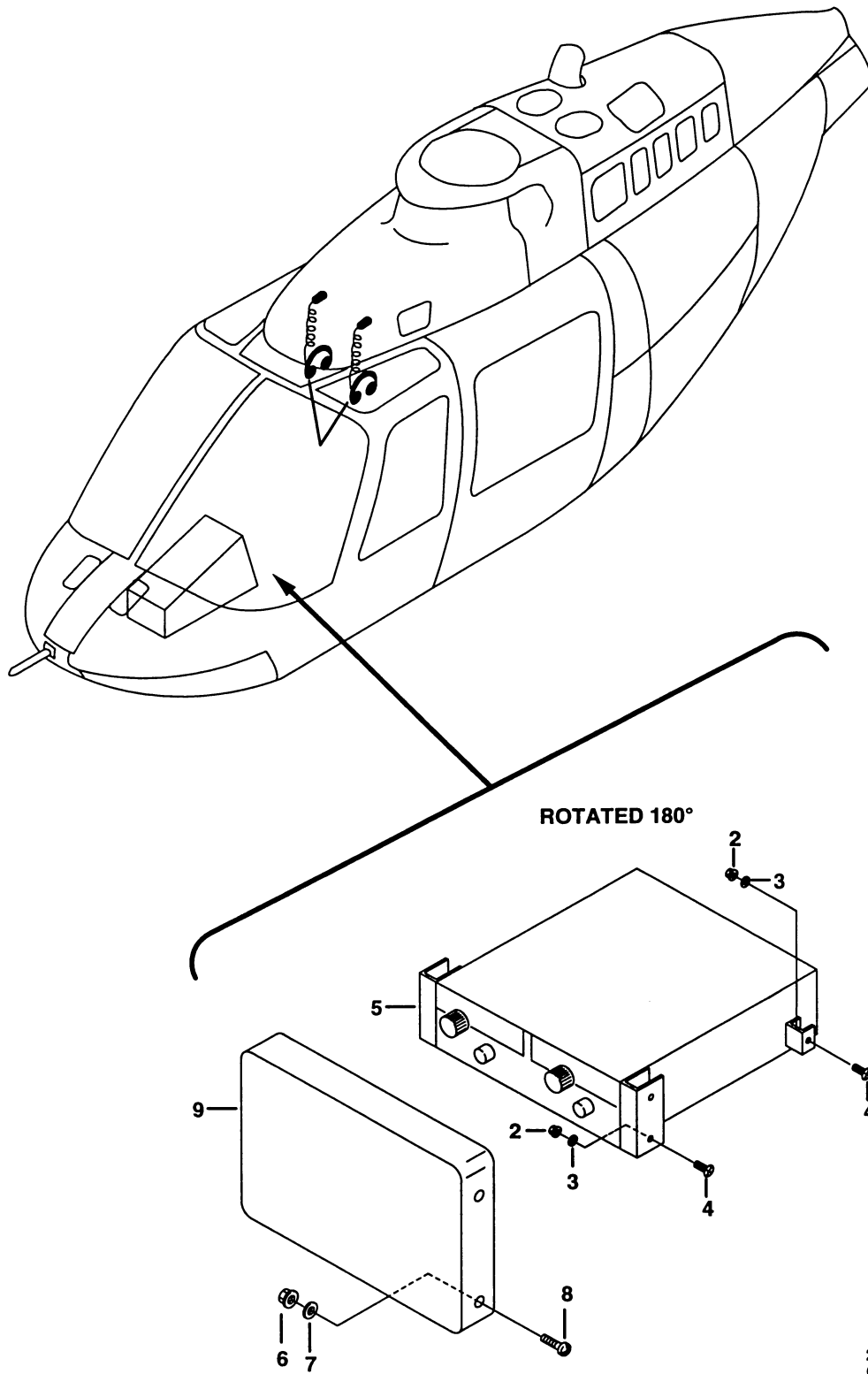


## CONTENTS - IPB

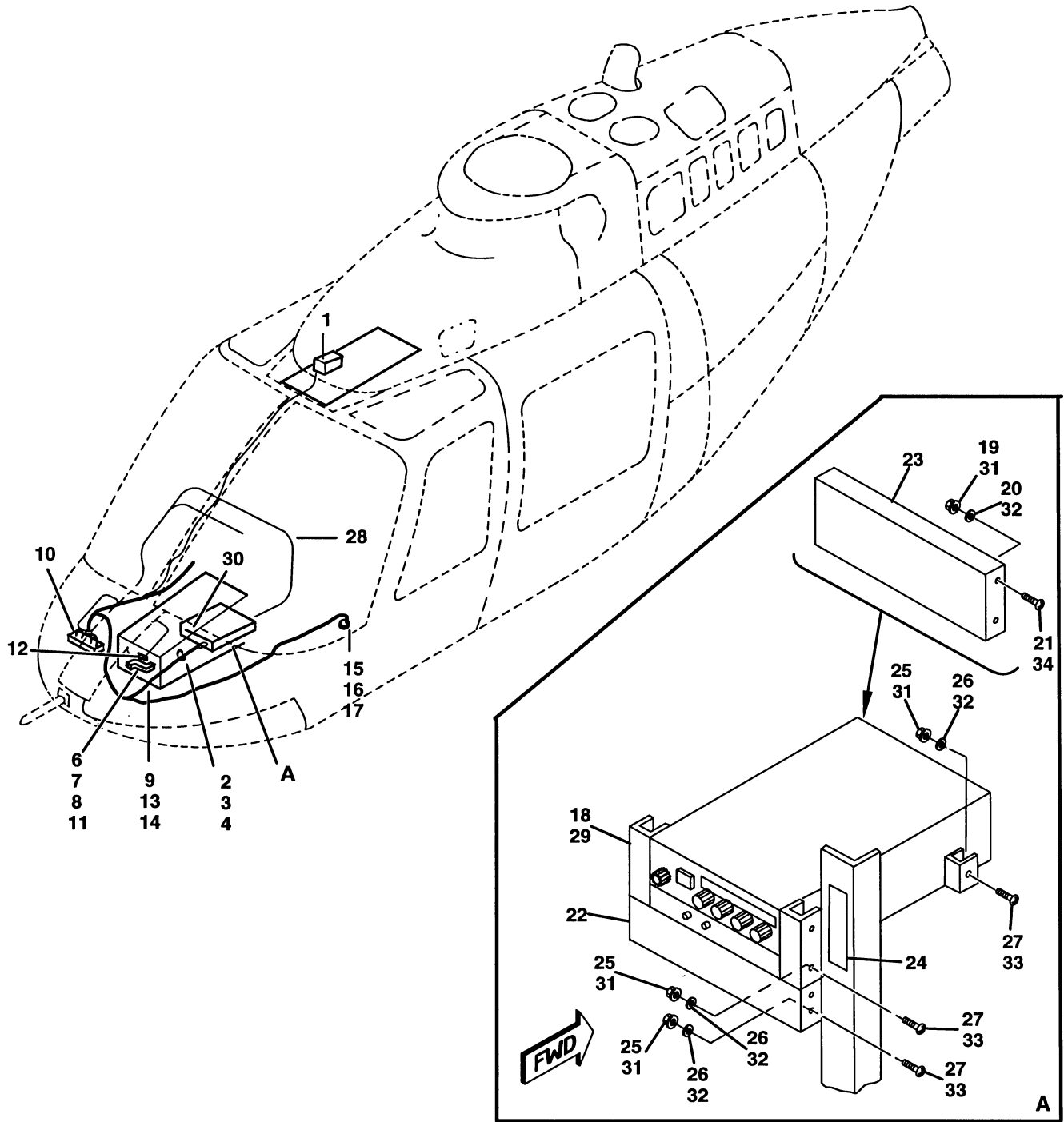
Figure Number	Figure Title	Chapter/Section Number	Page Number
97-1	KX155 VHF NAV/COM radio set and KT76A/KT70/ KT79 transponder provisions kits (S/N 2212 thru SUB) .....	97-99-00	2
97-2	KT76A/KT70/KT79 Transponder provisions and equipment kits (S/N 2212 thru SUB) .....	97-99-00	4
97-3	KT76A/KT70/KT79 transponder provisions; KR87 ADF equipment and provisions kits (S/N 2212 thru SUB) .....	97-99-00	8
97-4	OMNI equipment kit (S/N 2212 thru SUB) .....	97-99-00	12
97-5	Panel kit, ICS audio W/VHF, ADF and OMNI provisions (S/N 2212 thru SUB).....	97-99-00	18
97-6	Panel kit, ICS audio W/VHF, ADF and OMNI provisions (S/N 2212 thru SUB).....	97-99-00	26
97-7	VHF and ICS, KX-170 provisions kit .....	97-99-00	30
97-8	VHF and ICS EQUIPMENT, KX170 kit .....	97-99-00	38
97-9	Provisions kit, KT-75R transponder (S/N 4 thru 2211) .....	97-99-00	40
97-10	Provisions kit, KT-76 transponder (S/N 661 thru 671, 716 and SUB) .....	97-99-00	44



206A-B-B3-97-1001  
C0000

Figure 97-1. KX155 VHF NAV/COM radio set and KT76A/KT70/KT79 transponder provisions kits (S/N 2212 thru SUB)

(1) INDEX NUMBER	(2) PART NUMBER	(3) ITEM NAME	(4) UNIT PER ASSY	(5) A V A I L	(6) U O C
		<b>FIGURE: 97-1. KX155 VHF NAV/COM radio set and KT76A/ KT70/KT79 transponder provisions kits (S/N 2212 thru SUB)</b>			
	206-705-008-103	VHF EQUIPMENT KIT, KX155 NAV/COM . . . . .	1		A
1	H10-37	.HEADSET (REPLACED BY H10-36) . . . . .	2		
1	H10-36	.HEADSET (REPLACES H10-37) . . . . .	2		
2	MS21042L08	.NUT . . . . .	6		
3	AN960PD8L	.WASHER (REPLACED BY AN960JD8L) . . . . .	6		
3	AN960JD8L	.WASHER (REPLACES AN960PD8L) . . . . .	6		
4	MS24693-S49	.SCREW . . . . .	6		
5	069-1024-09	.VHF NAVCOM RADIO SET, KX155 (REPLACED BY . . . . . 069-1024-39) (REFERENCE DESIGNATOR 2303TR1)	1		
5	069-1024-39	.VHF NAVCOM RADIO SET, KX155 (REPLACES . . . . . 069-1024-09) (REFERENCE DESIGNATOR 2303TR1)	1		
	206-705-008-115	TRANSPONDER PROVISIONS KIT, KT76A/KT70 (SEE FIG. . . 97-2, 97-3 FOR BALANCE OF BREAKDOWN)	1		A
	206-705-008-155	TRANSPONDER PROVISIONS KIT, KT76A/KT70 (SEE FIG. . . 97-2, 97-3 FOR BALANCE OF BREAKDOWN)	1		A
	206-705-008-143	TRANSPONDER PROVISIONS KIT, KT79 (SEE FIG. 97-2, . . 97-3 FOR BALANCE OF BREAKDOWN)	1		A
6	MS21042L08	.NUT . . . . .	4		
7	AN960JD8L	.WASHER . . . . .	4		
8	MS27039-0806	.SCREW . . . . .	4		
9	206-077-113-109	.COVER (USE WHEN KX-155 IS NOT INSTALLED) . . . . .	1		
		USABLE ON CODES			
		CODE            MODEL            SERIAL NUMBER			
		A                206BIII			
		1) UNLESS A USABLE ON PART NUMBER IS LISTED IN THE ITEM NAME COLUMN; NO CODE INDICATES THE PART APPLIES TO ALL SERIAL NUMBERS.			
		2) IF THE SERIAL NUMBER IS BLANK THE PART APPLIES TO ALL SERIAL NUMBERS FOR THAT MODEL.			



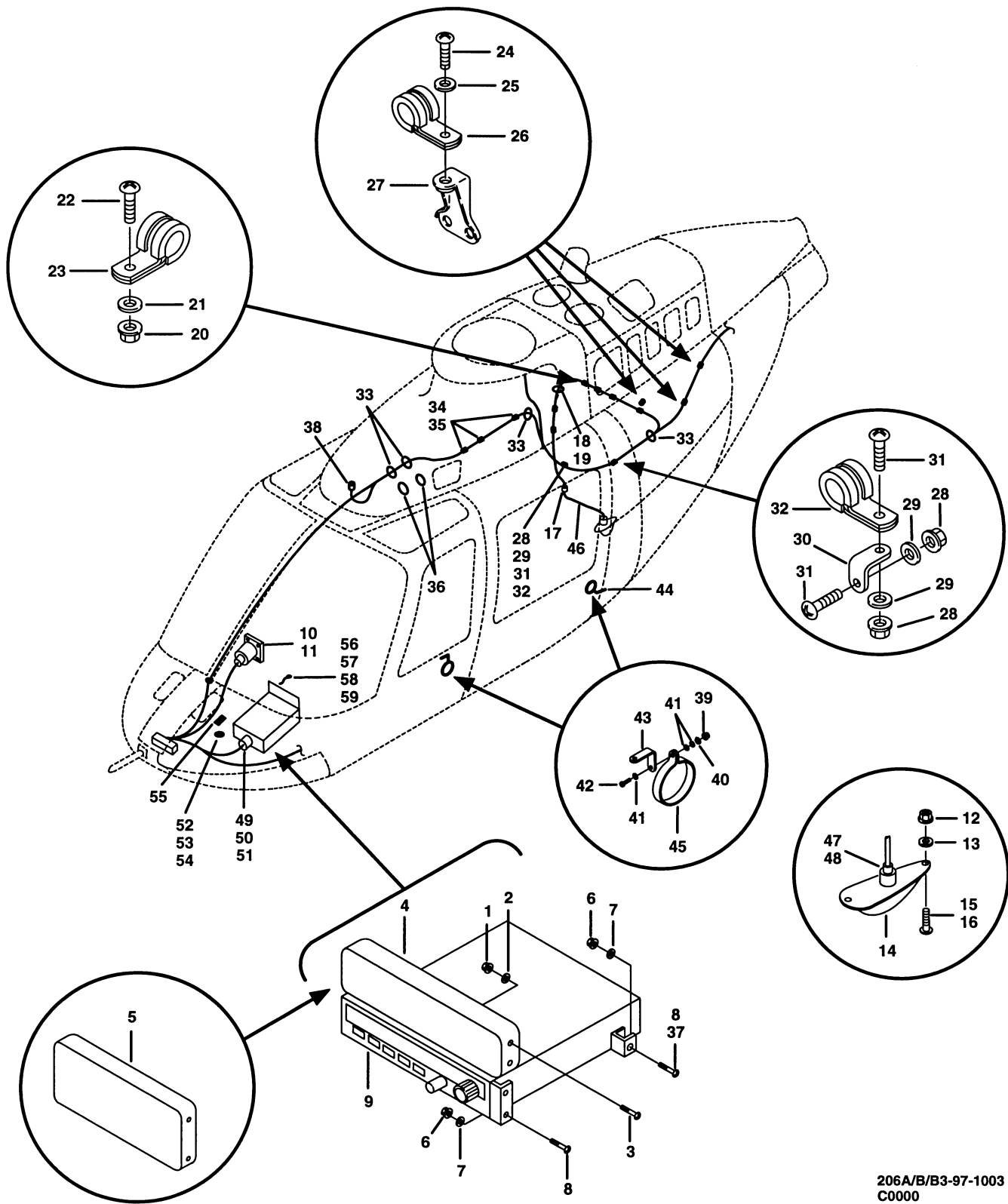
206A/B/B3-97-1002  
C0002

Figure 97-2. KT76A/KT70/KT79 Transponder provisions and equipment kits (S/N 2212 thru SUB)

(1) INDEX NUMBER	(2) PART NUMBER	(3) ITEM NAME	(4) UNIT PER ASSY	(5) A V A I L	(6) U O C
		<b>FIGURE: 97-2. KT76A/KT70/KT79 Transponder provisions and equipment kits (S/N 2212 thru SUB)</b>			
	206-705-008-115	TRANSPONDER PROVISIONS KIT, KT76A/KT70 (SEE FIG. 97-1, 97-3 FOR BALANCE OF BREAKDOWN)	REF		A
	206-705-008-155	TRANSPONDER PROVISIONS KIT, KT76A/KT70 (SEE FIG. 97-1, 97-3 FOR BALANCE OF BREAKDOWN)	REF		A
	206-705-008-143	TRANSPONDER PROVISIONS KIT, KT79 (SEE FIG. 97-1, 97-3 FOR BALANCE OF BREAKDOWN)	REF		A
1	MS26574-5	.CIRCUIT BREAKER (REFERENCE DESIGNATOR 3410CB1)	1		
2	MS27039-1-20	.SCREW	1		
3	MS25281-R8	.CLAMP	1		
4	NAS43DD3-48	.SPACER (REPLACED BY NAS43DD3-48N)	1		
4	NAS43DD3-48N	.SPACER (REPLACES NAS43DD3-48)	1		
5	206-077-005-105	.CABLE ASSY (KA60 ANTENNA) (USBL ON 206-075-008-115 AND -143)	1		
6	MS21042L4	.NUT (USBL ON 206-705-008-115)	2		
7	AN960PD4L	.WASHER (REPLACED BY AN960JD4L) (USBL ON 206-705-008-115)	2		
7	AN960JD4L	.WASHER (REPLACES AN960PD4L) (USBL ON 206-705-008-115)	2		
8	MS35206-215	.SCREW (USBL ON 206-705-008-115)	2		
9	206-077-005-103	.CABLE ASSY (KT76A) (USBL ON 206-705-008-115)	1		
9	206-077-005-109	.CABLE ASSY (KT79) (USBL ON 206-705-008-143)	1		
10	M39029/1-101	..CONTACT	1		
11	RH50X000K12R004	..RESISTOR (USBL ON 206-077-005-103) (REPLACED BY RER55F12R1M) (REFERENCE DESIGNATOR 3410R1)	1		
11	RER55F12R1M	..RESISTOR (USBL ON 206-077-005-103) (REPLACES RH50X000K12R004) (REFERENCE DESIGNATOR 3410R1)	1		
12	31-029B10R1	.DECAL (3410R1) (USBL ON 206-705-008-115)	1		
13	206-077-506-101	.CABLE ASSY (CA-KT70) (USBL ON 206-705-008-155)	1		
14	M39029/1-100	..CONTACT	1		
15	206-077-506-103	.CABLE ASSY (CA-KA60 ANTENNA) (USBL ON 206-705-008-155)	1		
16	089-2148-32	.NUT	2		
17	M12133/1-61P	.WASHER	2		
18	050-1577-00	.CONNECTOR KIT (KT76A/KT70) (USBL ON 206-705-008-115 AND -155) (REFERENCE DESIGNATOR 3410E1, 3410TR1P1, 3410TR1P2, 3410E1P1)	1		
18	050-1938-00	.CONNECTOR KIT (KT79) (USBL ON 206-705-008-143) (REFERENCE DESIGNATOR 3410E1, 3410TR1P1, 3410TR1P2, 3410E1P1)	1		
19	MS21042L08	.NUT	8		
20	AN960JD8L	.WASHER	8		
21	MS27039-0806	.SCREW	8		
22	206-077-113-109	.COVER (USE WHEN KT79 IS NOT INSTALLED) (USBL ON 206-705-008-143 AND -155)	1		
23	206-077-113-107	.COVER (USE WHEN KT76A/KT70 IS NOT INSTALLED) (USBL ON 206-705-008-155)	1		
24	206-705-008-149	.DECAL (XPDR FL REFERS TO 29.9 IN. OF MERCURY) (USBL ON 206-705-008-143 AND -155)	1		



(1) INDEX NUMBER	(2) PART NUMBER	(3) ITEM NAME	(4) UNIT PER ASSY	(5) A V A I L	(6) U O C						
<b>FIGURE: 97-2. KT76A/KT70/KT79 Transponder provisions and equipment kits (S/N 2212 thru SUB) (Cont'd)</b>											
25	MS21042L08	.NUT (USBL ON 206-705-008-115 AND -155) . . . . .	6								
26	AN960JD8L	.WASHER (USBL ON 206-705-008-115 AND -155) . . . . .	6								
27	MS24693-S49	.SCREW (USBL ON 206-705-008-115 AND -155) . . . . .	6								
28	206-072-427-101	.SHROUD (USBL ON 206-705-008-143) . . . . .	1								
	206-705-008-117	TRANSPONDER EQUIPMENT KIT, KT76A . . . . .	1		A						
	206-705-008-157	TRANSPONDER EQUIPMENT KIT, KT70 . . . . .	1		A						
	206-705-008-145	TRANSPONDER EQUIPMENT KIT, KT79 . . . . .	1		A						
29	066-1062-02	.TRANSPONDER, KT-76A (USBL ON 206-705-008-117) . . . (REPLACED BY 066-01062-0000) (REFERENCE DESIGNATOR 3410TR1)	1								
29	066-01062-0000	.TRANSPONDER, KT76A (USBL ON 206-705-008-117) . . . (REPLACES 066-1062-00) (REFERENCE DESIGNATOR 3410TR1)	1								
29	066-01141-0101	.TRANSPONDER, (KT70) (USBL ON 206-705-008-157) . . . (REFERENCE DESIGNATOR 3410TR1)	1								
29	066-1053-00	.TRANSPONDER, KT79 (USBL ON 206-705-008-145) . . . . (REFERENCE DESIGNATOR 3410TR1)	1								
30	050-02927-0000	.EPROM BOARD, KT70 (USBL ON 206-705-008-157) . . . .	1								
31	MS21042L08	.NUT . . . . .	10								
32	AN960PD8L	.WASHER (REPLACED BY AN960JD8L) . . . . .	10								
32	AN960JD8L	.WASHER (REPLACES AN960PD8L) . . . . .	10								
33	MS27039-0806	.SCREW . . . . .	4								
34	MS24693-S49	.SCREW . . . . .	6								
<p>USABLE ON CODES</p> <table border="0"> <tr> <td>CODE</td> <td>MODEL</td> <td>SERIAL NUMBER</td> </tr> <tr> <td>A</td> <td>206BIII</td> <td></td> </tr> </table> <p>1) UNLESS A USABLE ON PART NUMBER IS LISTED IN THE ITEM NAME COLUMN; NO CODE INDICATES THE PART APPLIES TO ALL SERIAL NUMBERS.</p> <p>2) IF THE SERIAL NUMBER IS BLANK THE PART APPLIES TO ALL SERIAL NUMBERS FOR THAT MODEL.</p>						CODE	MODEL	SERIAL NUMBER	A	206BIII	
CODE	MODEL	SERIAL NUMBER									
A	206BIII										



206A/B/B3-97-1003  
C0000

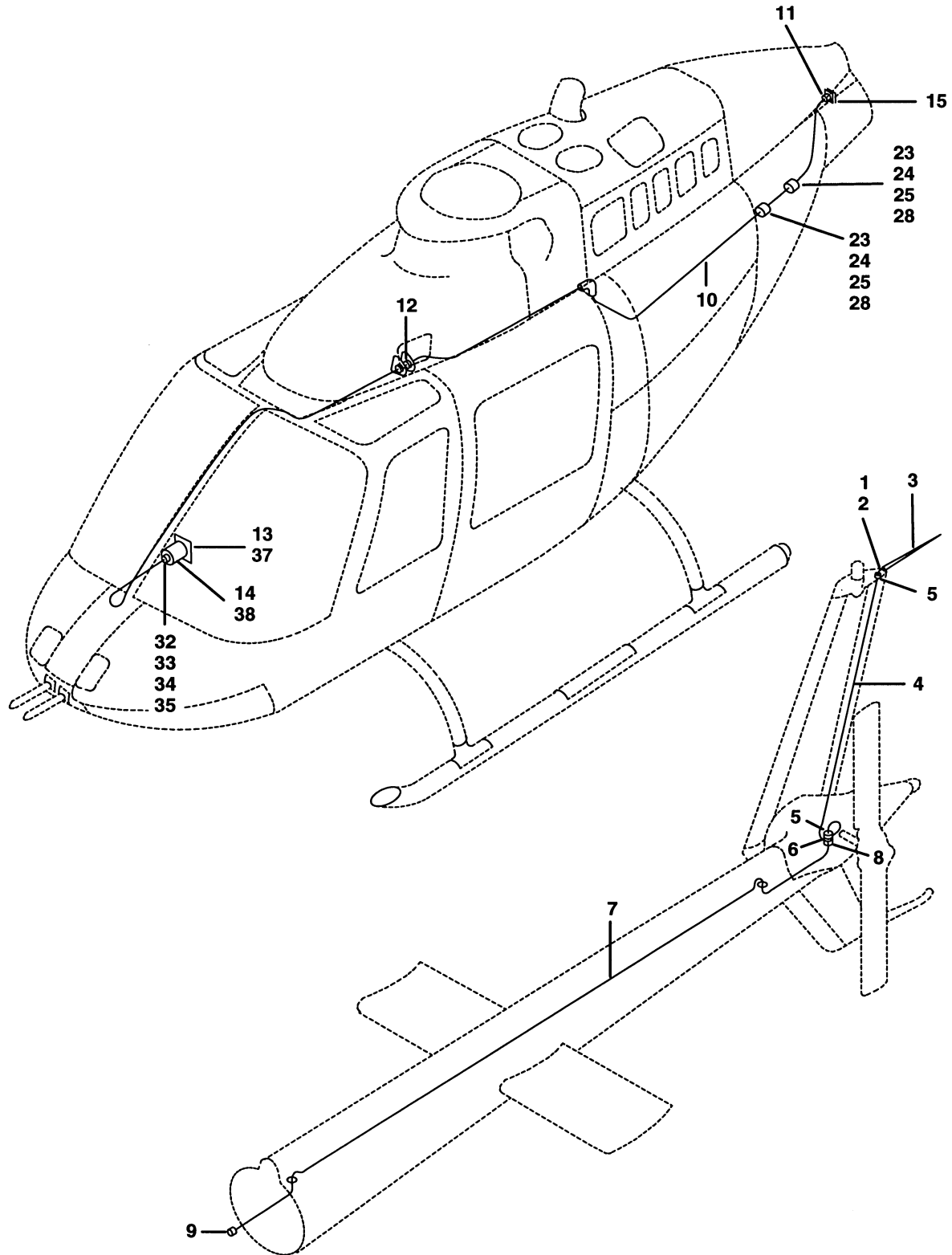
Figure 97-3. KT76A/KT70/KT79 transponder provisions; KR87 ADF equipment and provisions kits (S/N 2212 thru SUB)



(1) INDEX NUMBER	(2) PART NUMBER	(3) ITEM NAME	(4) UNIT PER ASSY	(5) A V A I L	(6) U O C
		<b>FIGURE: 97-3. KT76A/KT70/KT79 transponder provisions; KR87 ADF equipment and provisions kits (S/N 2212 thru SUB)</b>			
	206-705-008-115	TRANSPONDER PROVISIONS KIT, KT76A/KT70 (SEE FIG. . . . . 97-1, 97-2 FOR BALANCE OF BREAKDOWN)	REF		A
	206-705-008-155	TRANSPONDER PROVISIONS KIT, KT76A/KT70 (SEE FIG. . . . . 97-1, 97-2 FOR BALANCE OF BREAKDOWN)	REF		A
	206-705-008-143	TRANSPONDER PROVISIONS KIT, KT79 (SEE FIG. 97-1, . . . . 97-2 FOR BALANCE OF BREAKDOWN)	REF		A
1	MS21042L08	.NUT . . . . .	4		
2	AN960JD8L	.WASHER . . . . .	4		
3	MS27039-0806	.SCREW . . . . .	4		
4	206-077-113-109	.COVER (USE WHEN KR-87 IS NOT INSTALLED) . . . . .	1		
5	206-077-113-113	.COVER (USBL ON 206-705-008-143) . . . . .	1		
	206-705-008-131	ADF KIT, KR87 . . . . .	1		
6	MS21042L08	.NUT . . . . .	6		
7	AN960PD8L	.WASHER (REPLACED BY AN960JD8L) . . . . .	6		
7	AN960JD8L	.WASHER (REPLACES AN960PD8L) . . . . .	6		
8	MS24693-S49	.SCREW . . . . .	6		
9	066-1072-00	.RECEIVER, KR87 ADF RADIO (REPLACED BY . . . . . 066-01-72-0004) (REFERENCE DESIGNATOR 3406RE1)	1		
9	066-01072-0004	.RECEIVER, KR87 ADF RADIO (REPLACES 066-1072-00) . . (REFERENCE DESIGNATOR 3406RE1)	1		
10	MS35214-28	.SCREW . . . . .	3		
11	066-3063-00	.INDICATOR (KI-227) (REFERENCE DESIGNATOR . . . . . 3406DSI)	1		
12	MS21042L4	.NUT . . . . .	2		
13	AN960PD416L	.WASHER (REPLACED BY AN960JD416L) . . . . .	2		
13	AN960JD416L	.WASHER (REPLACES AN960PD416L) . . . . .	2		
14	071-1234-00	.ANTENNA, LOOP-SENSE (KA44B) (REFERENCE . . . . . DESIGNATOR 3406E1)	1		
15	089-5666-20	. . SCREW . . . . .	2		
	206-705-008-111	ADF PROVISIONS KIT, KR87 . . . . .	1		A
	071-1234-00	.ANTENNA . . . . .	REF		
16	089-5666-20	. . SCREW . . . . .	2		
17	MS3420-6	.BUSHING . . . . .	1		
18	AN960PD716L	.WASHER (REPLACED BY AN960JD716L) . . . . .	1		
18	AN960JD716L	.WASHER (REPLACES AN960PD716L) . . . . .	1		
19	MS35489-6	.GROMMET . . . . .	2		
20	MS21042L3	.NUT . . . . .	7		
21	AN960PD10L	.WASHER (REPLACED BY AN960JD10L) . . . . .	7		
21	AN960JD10L	.WASHER (REPLACES AN960PD10L) . . . . .	7		
22	MS27039-1-08	.SCREW . . . . .	7		
23	MS25281-R3	.CLAMP . . . . .	7		
24	MS27039-1-08	.SCREW . . . . .	3		
25	AN960PD10L	.WASHER (REPLACED BY AN960JD10L) . . . . .	3		
25	AN960JD10L	.WASHER (REPLACES AN960PD10L) . . . . .	3		
26	MS25281-R3	.CLAMP . . . . .	3		
27	90-002-3	.NUT . . . . .	3		
28	MS21042L3	.NUT . . . . .	2		
29	AN960PD10L	.WASHER (REPLACED BY AN960JD10L) . . . . .	2		

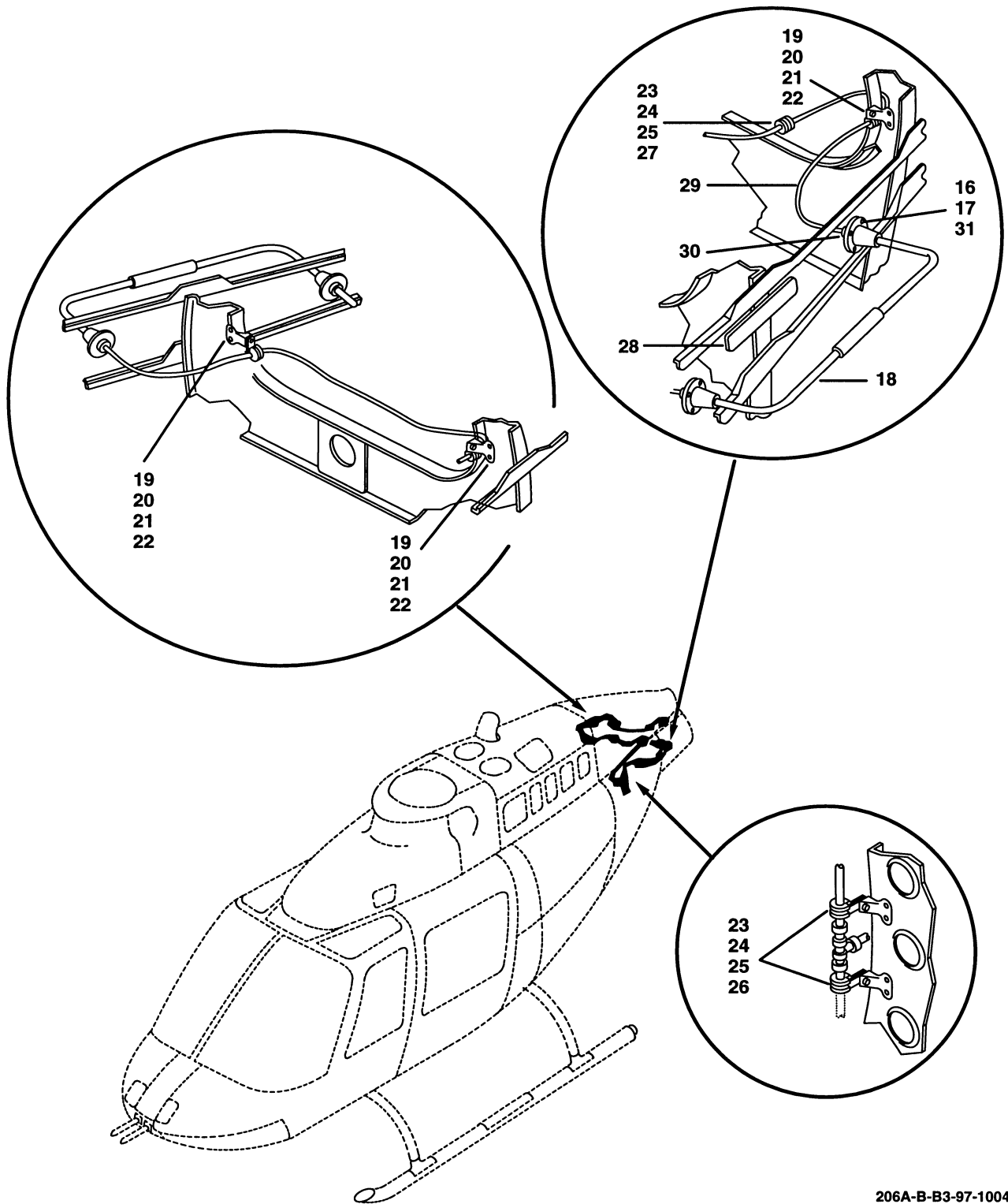


(1) INDEX NUMBER	(2) PART NUMBER	(3) ITEM NAME	(4) UNIT PER ASSY	(5) A V A I L	(6) U O C						
<b>FIGURE: 97-3. KT76A/KT70/KT79 transponder provisions; KR87 ADF equipment and provisions kits (S/N 2212 thru SUB) (Cont'd)</b>											
29	AN960JD10L	.WASHER (REPLACES AN960PD10L) . . . . .	2								
30	20-032-1	.BRACKET . . . . .	1								
31	MS27039-1-08	.SCREW . . . . .	2								
32	MS25281-R6	.CLAMP . . . . .	2								
33	MS35489-14	.GROMMET . . . . .	5								
34	MS27039-1-11	.SCREW . . . . .	3								
35	MS21919WDG5	.CLAMP . . . . .	3								
36	MS35489-11	.GROMMET . . . . .	2								
37	089-5878-07	.SCREW . . . . .	2								
38	MS26574-5	.CIRCUIT BREAKER (REFERENCE DESIGNATOR 3406CB1) . .	1								
39	MS21042L3	.NUT . . . . .	4								
40	MS35338-43	.WASHER . . . . .	4								
41	AN960D10L	.WASHER . . . . .	12								
42	MS27039-1-08	.SCREW . . . . .	4								
43	120-055-1-4	.BONDING STRIP . . . . .	2								
44	120-055-1-12	.BONDING STRIP . . . . .	2								
45	AN735D36	.CLAMP . . . . .	4								
46	206-077-006-103	.CABLE ASSY . . . . .	1								
47	M24308/2-1	..CONNECTOR (REFERENCE DESIGNATOR 3406E1P1) . . . .	1								
48	30-227-1	..BACKSHELL . . . . .	1								
49	030-0101-00	..CONNECTOR (REFERENCE DESIGNATOR 3406RE1P1) . . . .	1								
50	030-1094-51	..CONNECTOR (REFERENCE DESIGNATOR 3406RE1P2) . . . .	1								
51	030-1107-30	..CONTACT . . . . .	1								
52	90-072-1	..MODULE (REFERENCE DESIGNATOR 3406WT1) . . . . .	1								
53	M39029/1-16-22	..CONTACT (REPLACED BY M39029/1-100) . . . . .	7								
53	M39029/1-100	..CONTACT (REPLACES M39029/1-16-22) . . . . .	7								
54	M39029/1-16-20	..CONTACT (REPLACED BY M39029/1-101) . . . . .	3								
54	M39029/1-101	..CONTACT (REPLACES M39029/1-16-20) . . . . .	3								
55	RCR32G101JM	..RESISTOR (REFERENCE DESIGNATOR 3406R1) . . . . . (ALTERNATE PART)	1								
55	RCR32G101JS	..RESISTOR (REFERENCE DESIGNATOR 3406R1) . . . . .	1								
56	MS21042L3	.NUT . . . . .	4								
57	AN960PD10L	.WASHER (REPLACED BY AN960JD10L) . . . . .	4								
57	AN960JD10L	.WASHER (REPLACES AN960PD10L) . . . . .	4								
58	MS27039-1-14	.SCREW . . . . .	4								
59	MS25281-R12	.CLAMP . . . . .	4								
<p>USABLE ON CODES</p> <table border="0"> <tr> <td>CODE</td> <td>MODEL</td> <td>SERIAL NUMBER</td> </tr> <tr> <td>A</td> <td>206BIII</td> <td></td> </tr> </table> <p>1) UNLESS A USABLE ON PART NUMBER IS LISTED IN THE ITEM NAME COLUMN; NO CODE INDICATES THE PART APPLIES TO ALL SERIAL NUMBERS.</p> <p>2) IF THE SERIAL NUMBER IS BLANK THE PART APPLIES TO ALL SERIAL NUMBERS FOR THAT MODEL.</p>						CODE	MODEL	SERIAL NUMBER	A	206BIII	
CODE	MODEL	SERIAL NUMBER									
A	206BIII										



206A-B-B3-97-1004-1  
C0000

Figure 97-4. OMNI equipment kit (S/N 2212 thru SUB) (Sheet 1 of 2)



206A-B-B3-97-1004-2  
C0000

Figure 97-4. OMNI equipment kit (S/N 2212 thru SUB) (Sheet 2)

(1) INDEX NUMBER	(2) PART NUMBER	(3) ITEM NAME	(4) UNIT PER ASSY	(5) A V A I L	(6) U O C
		<b>FIGURE: 97-4. OMNI equipment kit (S/N 2212 thru SUB)</b>			
	206-705-008-135	OMNI KIT . . . . .	1		C
	206-705-008-141	OMNI KIT (REPLACED BY 206-705-008-151) . . . . .	1		C
	206-705-008-151	OMNI KIT (REPLACES 206-705-008-141) . . . . .	1		C
1	MS35206-248	.SCREW (USBL ON 206-705-008-135 AND -141) . . . . .	2		
2	AN960PD8L	.WASHER (REPLACED BY AN960JD8L) (USBL ON . . . . . 206-705-008-135 AND -141)	2		
2	AN960JD8L	.WASHER (REPLACES AN960PD8L) (USBL ON . . . . . 206-705-008-135 AND -141)	2		
3	CI259C	.ANTENNA (USBL ON 206-705-008-135) (REPLACED BY . . CI259D AND CI259E) (REFERENCE DESIGNATOR 2303E2)	1		
3	CI259D	.ANTENNA (USBL ON 206-705-008-135 AND -141) . . . . . (REPLACES CI259C) (REPLACED BY CI259E) (REFERENCE DESIGNATOR 2303E2)	1		
3	CI259E	.ANTENNA (USBL ON 206-705-008-135 AND -141) . . . . . (REPLACES CI259C AND CI259D) (REFERENCE DESIGNATOR 2303E2)	1		
4	206-077-007-113	.CABLE ASSY (USBL ON 206-705-008-135) . . . . .	1		
4	206-077-502-111	.CABLE ASSY (USBL ON 206-507-008-141) . . . . .	1		
5	M39012/16-0004	..CONNECTOR (REPLACED BY M39012/16-0504) . . . . . (REFERENCE DESIGNATOR 2303E2P1, 2303P4)	2		
5	M39012/16-0504	..CONNECTOR (REPLACES M39012/16-0004) . . . . . (REFERENCE DESIGNATOR 2303E2P1, 2303P4)	2		
6	MS21919WDG8	.CLAMP (USBL ON 206-705-008-135 AND -141) . . . . .	1		
7	206-077-007-109	.CABLE ASSY (USBL ON 206-705-008-135) . . . . .	1		
7	206-077-502-109	.CABLE ASSY (USBL ON 206-705-008-141) . . . . .	1		
8	M39012/17-0004	..CONNECTOR (REPLACED BY M39012/17-0504) . . . . . (REFERENCE DESIGNATOR 2303J4)	1		
8	M39012/17-0504	..CONNECTOR (REPLACES M39012/17-0004) . . . . . (REFERENCE DESIGNATOR 2303J4) (ALTERNATE PART)	1		
8	M39012/17-0013	..CONNECTOR (REFERENCE DESIGNATOR 2303J4) . . . . .	1		
9	M39012/16-0004	..CONNECTOR (REPLACED BY M39012/16-0504) . . . . . (REFERENCE DESIGNATOR 2303P1)	1		
9	M39012/16-0504	..CONNECTOR (REPLACES M39012/16-0004) . . . . . (REFERENCE DESIGNATOR 2303P1)	1		
10	206-077-007-107	.CABLE ASSY (USBL ON 206-705-008-135) . . . . .	1		
10	206-077-502-107	.CABLE ASSY (USBL ON 206-705-008-141) . . . . .	1		
11	M39012/19-0003	..CONNECTOR (REPLACED BY M39012/19-0504) . . . . . (REFERENCE DESIGNATOR 2303J1)	1		
11	M39012/19-0504	..CONNECTOR (REPLACES M39012/19-0003) . . . . . (REFERENCE DESIGNATOR 2303J1)	1		
12	9-30-10	..CONNECTOR (REFERENCE DESIGNATOR 2303TR1P3) . . . . . (ALTERNATE PART)	1		
12	030-0101-02	..CONNECTOR (REPLACED BY 030-00101-0002) . . . . . (REFERENCE DESIGNATOR 2303TR1P3)	1		
12	030-00101-0002	..CONNECTOR (REPLACES 030-0101-02) (REFERENCE . . . DESIGNATOR 2303TR1P3)	1		
13	MS35214-29	.SCREW . . . . .	3		
14	066-3056-00	.INDICATOR (REFERENCE DESIGNATOR KI208) . . . . .	1		

(1) INDEX NUMBER	(2) PART NUMBER	(3) ITEM NAME	(4) UNIT PER ASSY	(5) A V A I L	(6) U O C
		<b>FIGURE: 97-4. OMNI equipment kit (S/N 2212 thru SUB) (Cont'd)</b>			
15	206-077-033-001	.BRACKET (USBL ON 206-705-008-135 AND -141) . . . . .	1		
16	MS25206-246	.SCREW (USBL ON 206-705-008-151) . . . . .	16		
17	AN960JD8L	.WASHER (USBL ON 206-705-008-151) . . . . .	16		
18	DMN48-1	.ANTENNA SET (REFERENCE DESIGNATOR 2303E3, . . . . . 2303E4)	1		
	33-001-107C	.SUPPORT INSTL (USBL ON 206-705-008-151) . . . . .	3		
19	MS27039-1-08	..SCREW . . . . .	1		
20	AN960JD10L	..WASHER . . . . .	1		
21	90-002-3	..NUT . . . . .	1		
22	MS21919WDG5	.CLAMP (USBL ON 206-705-008-151) . . . . .	3		
	33-001-107B	.SUPPORT INSTL (USBL ON 206-705-008-135 AND . . . . . -141)	2		
	33-001-107B	.SUPPORT INSTL (USBL ON 206-705-008-151) . . . . .	3		
23	MS27039-1-08	..SCREW . . . . .	1		
24	AN960JD10L	..WASHER . . . . .	1		
25	90-002-2	..NUT . . . . .	1		
26	MS21919WDG5	.CLAMP (USBL ON 206-705-008-151) . . . . .	2		
27	MS21919WDG3	.CLAMP (USBL ON 206-705-008-151) . . . . .	1		
29	31-042-46CHM	.DECAL (NO HAND HOLD) (USBL ON 206-705-008-151) . . . . .	2		
28	MS25281-R3	.CLAMP (USBL ON 206-705-008-135 AND -141) . . . . .	2		
30	206-077-502-113	.CABLE ASSY (USBL ON 206-705-008-151) (REFERENCE . . . . . DESIGNATOR W33)	1		
31	M39012/16-0504	..CONNECTOR (REFERENCE DESIGNATOR 2303CP1P1) . . . . .	1		
	206-531-103-101	.AIRFRAME MOD (USBL ON 206-705-008-151) . . . . .	1		
32	MS21059L08	..NUTPLATE . . . . .	16		
	206-077-007-115	CABLE ASSY (SEE FIG. 97-5 FOR BALANCE OF . . . . . BREAKDOWN)	1		C
33	050-1550-00	.CONNECTOR KIT . . . . .	1		
34	089-5115-12	..SCREW . . . . .	3		
35	030-2227-09	..HOOD . . . . .	1		
36	030-2227-05	..CONNECTOR (REFERENCE DESIGNATOR 2303DS1P1) . . . . .	1		
	206-706-326-003	OMNI EQUIP KIT, KI-201C . . . . .	1		A
	206-706-326-053	OMNI EQUIP KIT, KI-201C . . . . .	1		B
37	MS35206-226	.SCREW (USBL ON 206-706-326-003) . . . . .	3		
37	MS35214-28	.SCREW (USBL ON 206-706-326-053) . . . . .	3		
38	066-3008-02/KI-201C	.INDICATOR . . . . .	1		
		(ALTERNATE PART)			
38	066-3008-02/KI-201B	.INDICATOR . . . . .	1		





(1) INDEX NUMBER	(2) PART NUMBER	(3) ITEM NAME	(4) UNIT PER ASSY	(5) A V A I L	(6) U O C												
		<p><b>FIGURE: 97-4. OMNI equipment kit (S/N 2212 thru SUB) (Cont'd)</b></p> <p style="text-align: center;">USABLE ON CODES</p> <table border="0" style="margin-left: auto; margin-right: auto;"> <tr> <td style="padding-right: 20px;">CODE</td> <td style="padding-right: 40px;">MODEL</td> <td>SERIAL NUMBER</td> </tr> <tr> <td>A</td> <td>206A</td> <td></td> </tr> <tr> <td>B</td> <td>206B</td> <td></td> </tr> <tr> <td>C</td> <td>206BIII</td> <td></td> </tr> </table> <p>1) UNLESS A USABLE ON PART NUMBER IS LISTED IN THE ITEM NAME COLUMN; NO CODE INDICATES THE PART APPLIES TO ALL SERIAL NUMBERS.</p> <p>2) IF THE SERIAL NUMBER IS BLANK THE PART APPLIES TO ALL SERIAL NUMBERS FOR THAT MODEL.</p>	CODE	MODEL	SERIAL NUMBER	A	206A		B	206B		C	206BIII				
CODE	MODEL	SERIAL NUMBER															
A	206A																
B	206B																
C	206BIII																

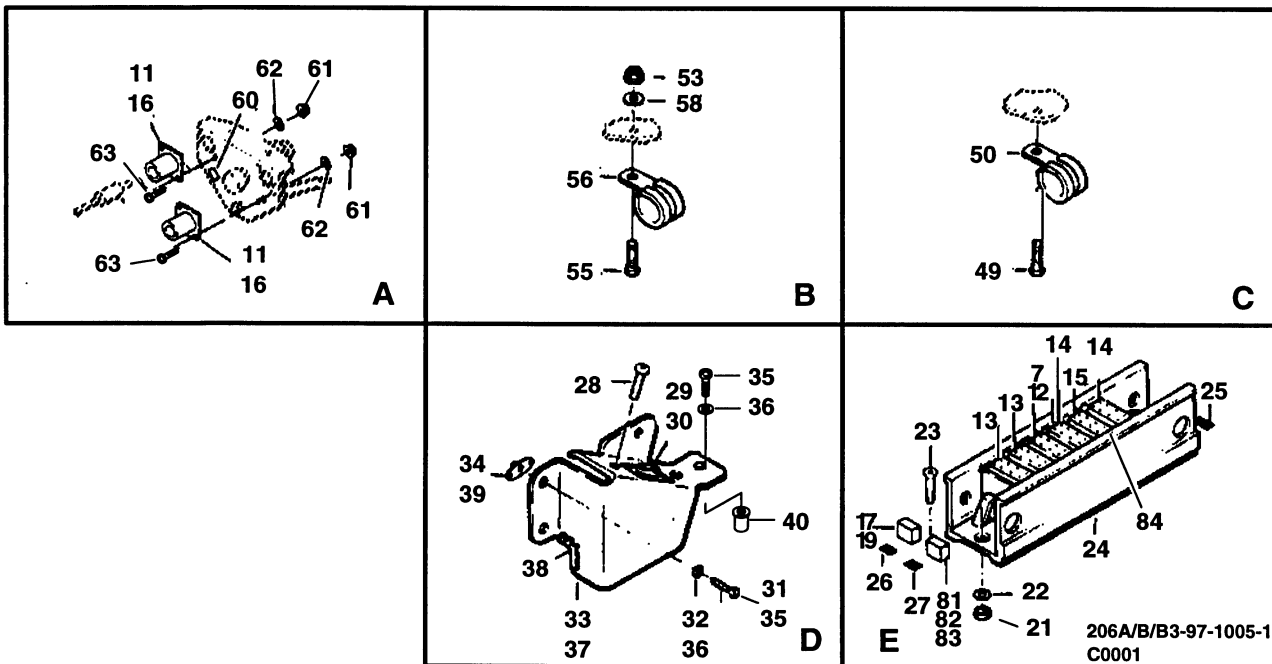
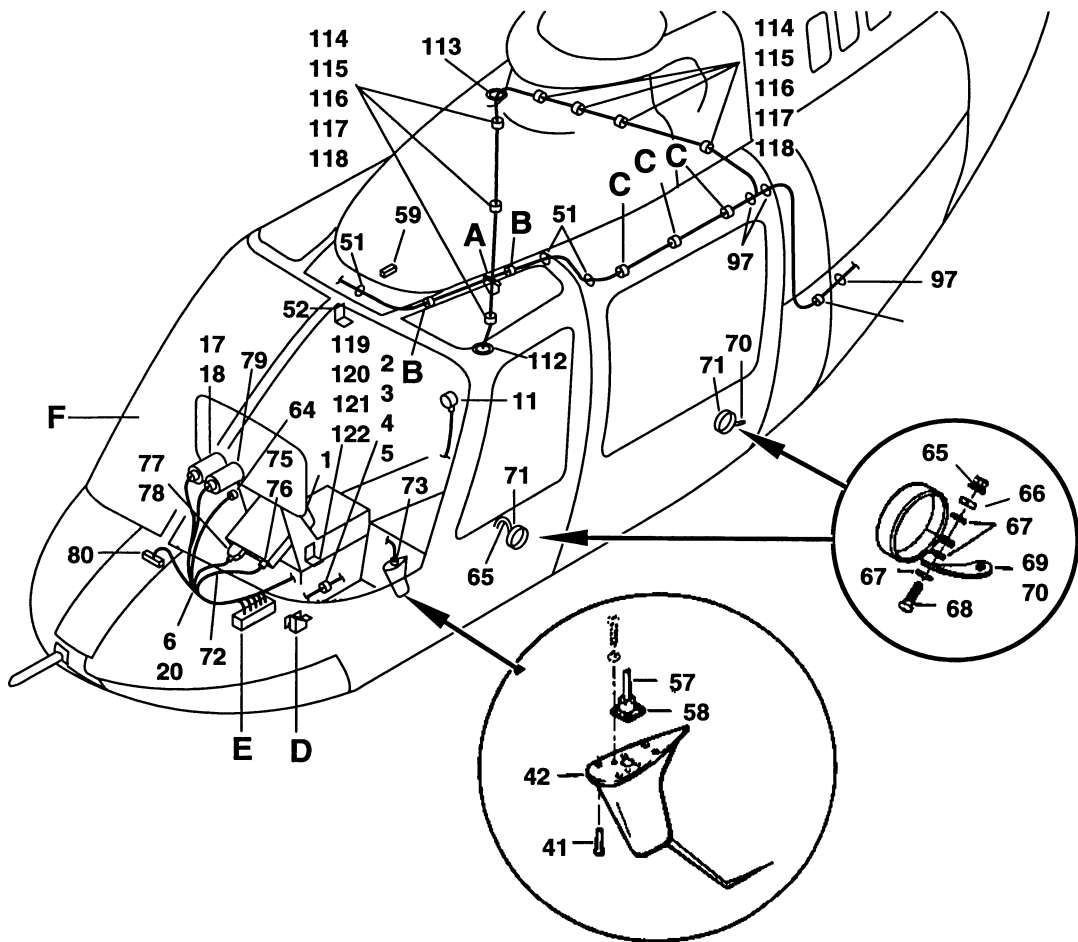


Figure 97-5. Panel kit, ICS audio W/VHF, ADF and OMNI provisions (S/N 2212 thru SUB) (Sheet 1 of 2)

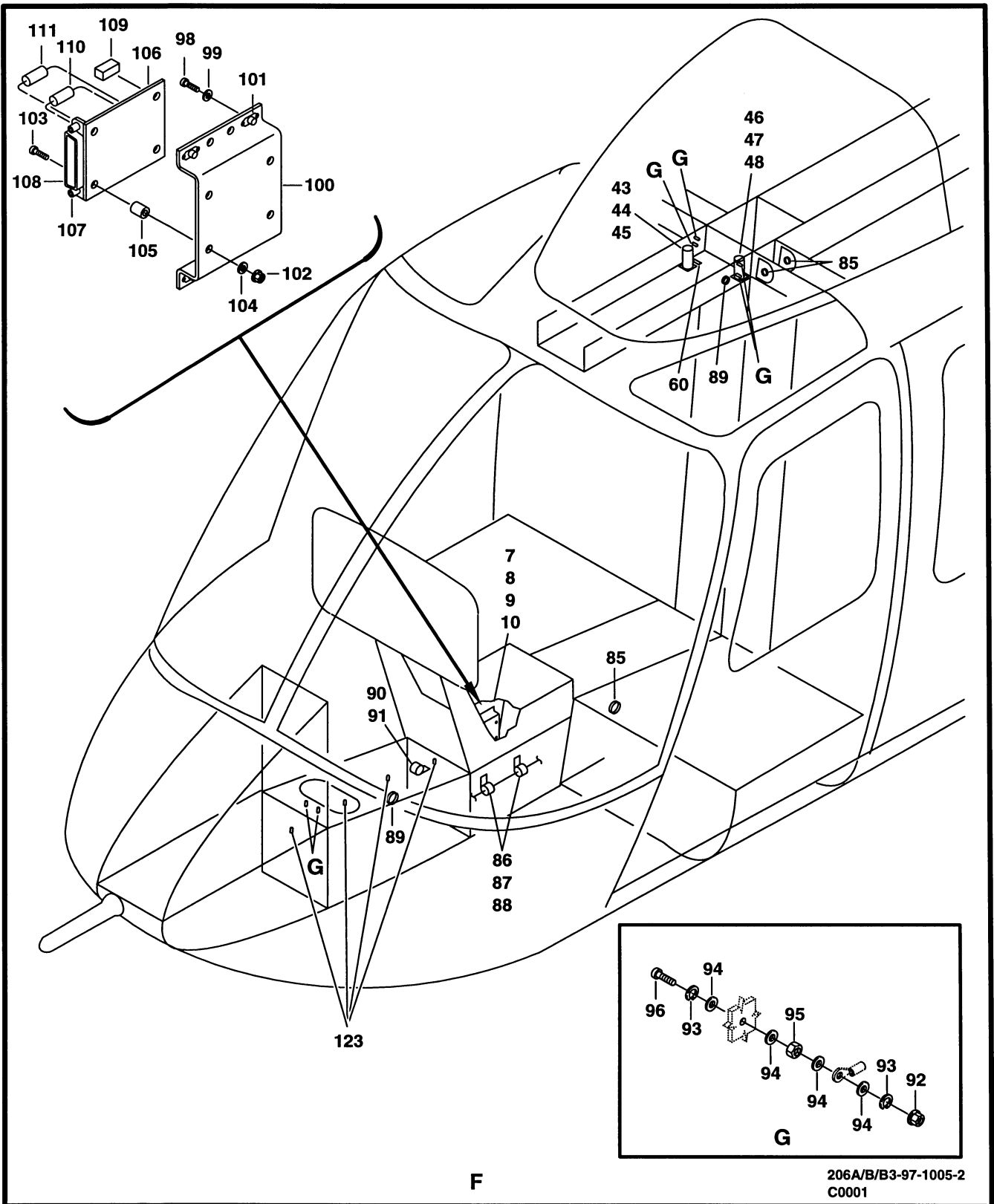


Figure 97-5. Panel kit, ICS audio W/VHF, ADF and OMNI provisions (S/N 2212 thru SUB) (Sheet 2)

(1) INDEX NUMBER	(2) PART NUMBER	(3) ITEM NAME	(4) UNIT PER ASSY	(5) A V A I L	(6) U O C
		<b>FIGURE: 97-5. Panel kit, ICS audio W/VHF, ADF and OMNI provisions (S/N 2212 thru SUB)</b>			
	206-705-008-133	PANEL KIT, ICS AUDIO W/VHF, ADF AND OMNI . . . . .	1	6	A
		PROVISIONS (SEE FIG. 6 FOR BALANCE OF BREAKDOWN)			
	206-705-008-137	PANEL KIT, ICS AUDIO W/VHF, ADF AND OMNI . . . . .	1	6	A
		PROVISIONS (SEE FIG. 6 FOR BALANCE OF BREAKDOWN)			
	206-705-008-159	PANEL KIT, ICS AUDIO W/VHF, ADF AND OMNI . . . . .	1	6	A
		PROVISIONS (SEE FIG. 6 FOR BALANCE OF BREAKDOWN)			
	206-705-008-161	PANEL KIT, ICS AUDIO W/VHF, ADF AND OMNI . . . . .	1		A
		PROVISIONS (SEE FIG. 6 FOR BALANCE OF BREAKDOWN)			
	206-705-008-163	PANEL KIT, ICS AUDIO W/VHF, ADF AND OMNI . . . . .	1		A
		PROVISIONS (SEE FIG. 6 FOR BALANCE OF BREAKDOWN)			
1	206-072-839-101	.SHROUD, PANEL . . . . .	1	1	
2	MS21042L3	.NUT . . . . .	4	1	
3	AN960PD10L	.WASHER (REPLACED BY AN960JD10L) . . . . .	4		
3	AN960JD10L	.WASHER (REPLACES AN960PD10L) (REPLACED BY . . . . .	4		
		NAS1149D0332J)			
3	NAS1149D0332J	.WASHER (REPLACES AN960JD10L) . . . . .	4		
4	MS27039-1-14	.SCREW . . . . .	4	1	
5	MS25281-R12	.CLAMP . . . . .	4	1	
6	206-077-007-115	.CABLE ASSY (SEE FIG. 97-4 FOR BALANCE OF . . . . .	REF		
		BREAKDOWN) (USBL ON 206-705-008-133) (REFERENCE			
		DESIGNATOR W1)			
6	206-077-502-101	.CABLE ASSY (USBL ON 206-705-008-137) (REFERENCE .	1		
		DESIGNATOR W1)			
7	M24308/2-4	..CONNECTOR (USBL ON 206-077-007-115) . . . . .	1		
		(REFERENCE DESIGNATOR 2303A1P1)			
8	D20419-16	..SCREWLOCK (USBL ON 206-077-007-115) . . . . .	2	1	
9	VLF129	..SCREW (USBL ON 206-077-007-115) . . . . .	2	1	
10	30-141-5	..CLAMP (USBL ON 206-077-007-115) . . . . .	1	0	
11	30-102-2	..CONNECTOR (USBL ON 206-077-007-115) . . . . .	3	1	
		(REFERENCE DESIGNATOR J41L, J41R, 2303J2)			
12	M81714/2-AA1	..MODULE (2303TB1, POS 3) (REPLACED BY . . . . .	1	1	
		M81714/2-DA1)			
12	M81714/2-DA1	..MODULE (2303TB1, POS 3) (REPLACES . . . . .	1	1	
		M81714/2-AA1)			
13	M81714/2-AE1	..MODULE (2303TB1, POS 1 AND 2) (REPLACED BY . . . . .	2	1	
		M81714/2-DE1)			
13	M81714/2-DE1	..MODULE (2303TB1, POS 1 AND 2) (REPLACES . . . . .	2		
		M81714/2-AE1)			
14	M81714/3-AB1	..MODULE (2303TB1, POS 4, 6) (REPLACED BY . . . . .	2	1	
		M81714/3-DB1)			
14	M81714/3-DB1	..MODULE (2303TB1, POS 4, 6) (REPLACES . . . . .	2		
		M81714/3-AB1)			
15	M81714/3-AA1	..MODULE (2303TB1, POS 5) (REPLACED BY . . . . .	1	0	
		M81714/3-DA1)			
15	M81714/3-DA1	..MODULE (2303TB1, POS 5) (REPLACES . . . . .	1		
		M81714/3-AA1)			
16	30-102-2	..CONNECTOR (REFERENCE DESIGNATOR J41L, J41R) . . . . .	2	1	
17	M39029/1-16-20	..CONTACT (REPLACED BY M39029/1-101) (USBL ON . . . . .	3		
		206-077-007-115)			

(1) INDEX NUMBER	(2) PART NUMBER	(3) ITEM NAME	(4) UNIT PER ASSY	(5) A V A I L	(6) U O C
		<b>FIGURE: 97-5. Panel kit, ICS audio W/VHF, ADF and OMNI provisions (S/N 2212 thru SUB) (Cont'd)</b>			
17	M39029/1-101	..CONTACT (REPLACES M39029/1-16-20) (USBL ON . . . . 206-077-007-115)	3	1	
17	M39029/4-110	..CONTACT (USBL ON 206-077-502-101) . . . . .	3	1	
18	050-1550-00	..CONNECTOR KIT (REFERENCE DESIGNATOR . . . . . 2303DS1P1)	1	6	
19	90-072-1	..MODULE (REFERENCE DESIGNATOR 2303WT1) . . . . .	1		
20	RCR32G390JM	..RESISTOR (USBL ON 206-077-502-101) (REFERENCE . . DESIGNATOR 2303R2)	1		
21	MS21042L06	.NUT . . . . .	2	1	
22	AN960PD6L	.WASHER (REPLACED BY AN960JD6L) . . . . .	2		
22	AN960JD6L	.WASHER (REPLACES AN960PD6L) (REPLACED BY . . . . . NAS1149DN616J)	2	1	
22	NAS1149DN616J	.WASHER (REPLACES AN960JD6L) . . . . .	2	1	
23	MS35190-236	.SCREW . . . . .	2	1	
24	M81714/5-1	.RACK, JUNCTION TRACK TERMINAL (REPLACED BY . . . . . M81714/16-1) (REFERENCE DESIGNATOR 2303TB1)	1		
24	M81714/16-1	.RACK, JUNCTION TRACK TERMINAL (REPLACES . . . . . M81714/5-1) (REFERENCE DESIGNATOR 2303TB1)	1		
25	31-029A03TB1	.DECAL (COMM/VHF-AM/TB1) . . . . .	1	6	
26	31-029A03WT1	.DECAL (COMM/VHF-AM/WT1) . . . . .	1	6	
27	31-029B06WT1	.DECAL (NAV/ADF/WT1) . . . . .	1	1	
28	MS35207-230	.SCREW . . . . .	2	1	
29	M8805/55-001	.SWITCH (REFERENCE DESIGNATOR 2303S3) . . . . .	1	1	
30	31-006-36	.DECAL (FOOT SWITCH-RADIO AND ICS) . . . . .	1	1	
31	MS27039-1-09	.SCREW (USBL ON 206-705-008-133) . . . . .	3	1	
32	AN960PD10L	.WASHER (REPLACED BY AN960JD10L) (USBL ON . . . . . 206-705-008-133)	3		
32	AN960JD10L	.WASHER (REPLACES AN960PD10L) (REPLACED BY . . . . . NAS1149D0332J) (USBL ON 206-705-008-133)	3		
32	NAS1149D0332J	.WASHER (REPLACES AN960JD10L) (USBL ON . . . . . 206-705-008-133)	3		
33	206-031-215-011	.BRACKET (USBL ON 206-705-008-133) (REPLACED BY . . 206-031-215-119)	1		
33	206-031-215-119	.BRACKET ASSY (USBL ON 206-705-008-133) . . . . . (REPLACES 206-031-215-011)	1	1	
34	NAS1329A3K80	.RIVNUT, BLIND (USBL ON 206-705-008-133) . . . . .	3	1	
	206-031-215-103	.BRACKET INSTL . . . . .	1	0	
35	MS24039-1-06	..SCREW . . . . .	4		
36	AN960JD10L	..WASHER (REPLACED BY NAS1149D0332J) . . . . .	4		
36	NAS1149D0332J	..WASHER (REPLACES AN960JD10L) . . . . .	4		
37	206-031-215-119	..BRACKET ASSY . . . . .	1	1	
38	60-003-1N4	...GROMMET (MAKE FROM MS21266-1N) . . . . .	1		
38	MS21266-1N	...GROMMET . . . . .	1	1	
39	MS21069L3K	..NUTPLATE . . . . .	3	1	
40	80-004-2-8	.INSERT . . . . .	1	1	
41	MS24693C50	.SCREW (USBL ON 206-705-008-137) . . . . .	4		
42	CI125	.ANTENNA (USBL ON 206-705-008-137) (REFERENCE . . . DESIGNATOR 2303E1)	1	1	
43	MS21042L04	.NUT . . . . .	4	1	

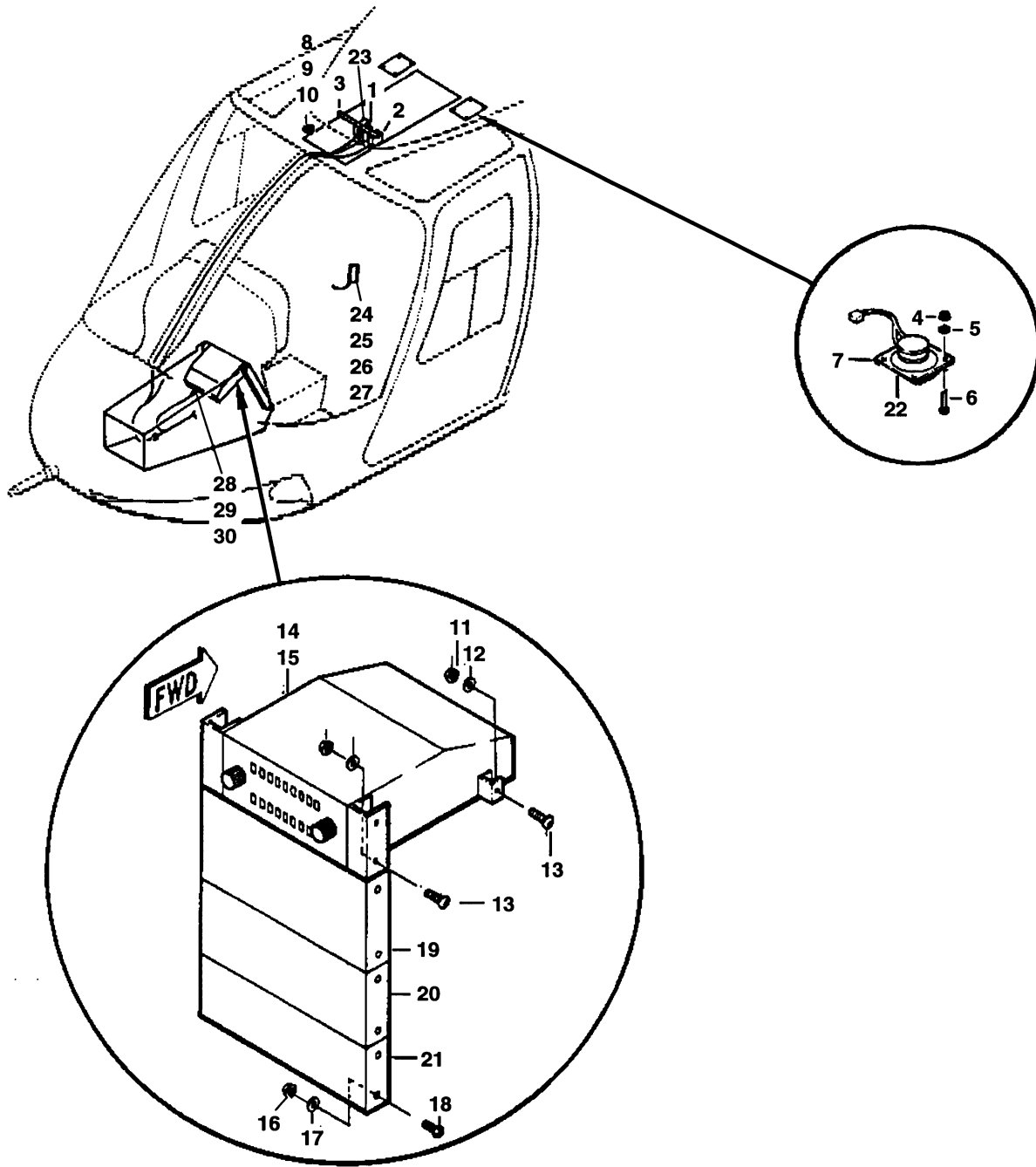
(1) INDEX NUMBER	(2) PART NUMBER	(3) ITEM NAME	(4) UNIT PER ASSY	(5) A V A I L	(6) U O C
<b>FIGURE: 97-5. Panel kit, ICS audio W/VHF, ADF and OMNI provisions (S/N 2212 thru SUB) (Cont'd)</b>					
44	AN960PD4L	.WASHER (REPLACED BY AN960JD4L) . . . . .	4		
44	AN960JD4L	.WASHER (REPLACES AN960PD4L) (REPLACED BY . . . . . NAS1149DN416J)	4	1	
44	NAS1149DN416J	.WASHER (REPLACES AN960JD4L) . . . . .	4	1	
45	MS35206-214	.SCREW . . . . .	4	1	
46	MS21042L04	.NUT (USBL ON 206-705-008-133) . . . . .	2	1	
47	AN960PD4L	.WASHER (REPLACED BY AN960JD4L) (USBL ON . . . . . 206-705-008-133)	2		
47	AN960JD4L	.WASHER (REPLACES AN960PD4L) (REPLACED BY . . . . . NAS1149DN416J) (USBL ON 206-705-008-133)	2	1	
47	NAS1149DN416J	.WASHER (REPLACES AN960JD4L) (USBL ON . . . . . 206-705-008-133)	2	1	
48	MS35206-214	.SCREW (USBL ON 206-705-008-133) . . . . .	2	1	
49	MS27039-1-11	.SCREW . . . . .	3	1	
50	MS21919WDG5	.CLAMP . . . . .	3	1	
51	MS35489-14	.GROMMET . . . . .	4	1	
52	206-077-505-101	.HANGER, HEADSET (USBL ON 206-705-008-133, -137 . . AND -159)	2	1	
52	206-077-505-103	.HANGER, HEADSET (USBL ON 206-705-008-161 AND . . . . -163)	2		
	33-001-101-1-08	.SUPPORT INSTL . . . . .	3	0	
53	MS21042L3	.NUT . . . . .	1	1	
54	AN960JD10L	.WASHER (REPLACED BY NAS1149D0332J) . . . . .	1		
54	NAS1149D0332J	.WASHER (REPLACES AN960JD10L) . . . . .	1		
55	MS27039-1-08	.SCREW . . . . .	1	1	
56	MS25281-R5	.CLAMP . . . . .	3	1	
57	206-077-007-105	.CABLE ASSY (USBL ON 206-705-008-133) (REFERENCE . DESIGNATOR W31)	1	1	
57	206-077-502-105	.CABLE ASSY (USBL ON 206-705-008-137) (REFERENCE . DESIGNATOR W31)	1		
58	M39012/16-0004	.CONNECTOR (REPLACED BY M39012/16-0504) . . . . . (REFERENCE DESIGNATOR 2303E1P1)	1		
58	M39012/16-0504	.CONNECTOR (REPLACES M39012/16-0004) . . . . . (REFERENCE DESIGNATOR 2303E1P1)	1	1	
59	MS26574-10	.CIRCUIT BREAKER (REFERENCE DESIGNATOR 2303CB1) . .	1	1	
60	31-023-6	.DECAL (CAUTION) . . . . .	2	6	
61	MS21042L04	.NUT . . . . .	4	1	
62	AN960PD4L	.WASHER (REPLACED BY AN960JD4L) . . . . .	4		
62	AN960JD4L	.WASHER (REPLACES AN960PD4L) (REPLACED BY . . . . . NAS1149DN416J)	4	1	
62	NAS1149DN416J	.WASHER (REPLACES AN960JD4L) . . . . .	4	1	
63	MS35206-215	.SCREW . . . . .	4	1	
64	050-1778-01	.CONNECTOR KIT (REPLACED BY 050-01778-0001) . . . . .	1		
64	050-01778-0001	.CONNECTOR KIT (REPLACES 050-1778-01) . . . . .	1		
65	MS21042L3	.NUT . . . . .	4	1	
66	MS35338-43	.WASHER . . . . .	4	1	
67	AN960D10L	.WASHER (REPLACED BY NAS1149D0316H) . . . . .	12	0	
67	NAS1149D0316H	.WASHER (REPLACES AN960D10L) . . . . .	12		
68	MS27039-1-08	.SCREW . . . . .	4	1	

(1) INDEX NUMBER	(2) PART NUMBER	(3) ITEM NAME	(4) UNIT PER ASSY	(5) A V A I L	(6) U O C
		<b>FIGURE: 97-5. Panel kit, ICS audio W/VHF, ADF and OMNI provisions (S/N 2212 thru SUB) (Cont'd)</b>			
69	120-055-1-12	.BONDING STRIP, FWD . . . . .	2	1	
70	120-055-1-4	.BONDING STRIP, AFT . . . . .	2	1	
71	AN735D36	.CLAMP . . . . .	4	1	
72	206-077-006-103	.CABLE ASSY (REPLACED BY 206-077-006-107) . . . . .	1	6	
72	206-077-006-107	.CABLE ASSY (REPLACES 206-077-006-103) . . . . .	1	6	
73	30-227-1	..BACKSHELL . . . . .	1	1	
74	M24308/2-1	..CONNECTOR (REFERENCE DESIGNATOR 3406E1P1) . . . . .	1		
75	030-0101-00	..CONNECTOR (REFERENCE DESIGNATOR 3406RE1P1) . . . . .	1	1	
76	090-0019-07	..RETAINER . . . . .	1	1	
77	030-1094-51	..CONNECTOR (REFERENCE DESIGNATOR 3406RE1P2) . . . . .	1	1	
78	030-1107-30	..CONTACT . . . . .	1	6	
79	050-1808-00	..CONNECTOR KIT (REFERENCE DESIGNATOR . . . . . 3406DS1P1)	1		
80	RCR32G101JM	..RESISTOR (REFERENCE DESIGNATOR 3406R1) . . . . . (ALTERNATE PART)	1	0	
80	RCR32G101JS	..RESISTOR (REFERENCE DESIGNATOR 3406R1) . . . . .	1	1	
81	M39029/1-16-22	..CONTACT (REPLACED BY M39029/1-100) (USBL ON . . . . . 206-077-006-103)	7		
81	M39029/1-100	..CONTACT (REPLACES M39029/1-16-22) (USBL ON . . . . . 206-077-006-103)	7	1	
81	M39029/22-192	..CONTACT (USBL ON 206-077-006-107) . . . . .	8	1	
82	90-072-1	..MODULE (USBL ON 206-077-006-103) (REFERENCE . . . . . DESIGNATOR 3406WT1)	1		
82	CTJ720K01B	..MODULE (USBL ON 206-077-006-107) (REFERENCE . . . . . DESIGNATOR 3406WT1)	1	6	
83	M39029/1-16-20	..CONTACT (REPLACED BY M39029/1-101) (USBL ON . . . . . 206-077-006-103)	1		
83	M39029/1-101	..CONTACT (REPLACES M39029/1-16-20) (USBL ON . . . . . 206-077-006-103)	1	1	
84	M39029/1-16-20	..CONTACT (REPLACED BY M39029/1-101) . . . . .	2		
84	M39029/1-101	..CONTACT (REPLACES M39029/1-16-20) . . . . .	2	1	
85	MS35489-13	.GROMMET . . . . .	3	1	
86	MS27039-1-23	.SCREW (USBL ON 206-705-008-133) . . . . .	1	1	
86	MS27039-1-20	.SCREW (USBL ON 206-705-008-137) . . . . .	1	1	
87	NAS43DD3-64	.SPACER (USBL ON 206-705-008-133) . . . . .	1		
87	NAS43DD3-48	.SPACER (REPLACED BY NAS43DD3-48N) (USBL ON . . . . . 206-705-008-137)	1		
87	NAS43DD3-48N	.SPACER (REPLACES NAS43DD3-48) (USBL ON . . . . . 206-705-008-137)	1	1	
88	MS25281-R8	.CLAMP . . . . .	1	1	
89	MS35489-4	.GROMMET . . . . .	2	1	
90	MS27039-0814	.SCREW . . . . .	1	1	
91	MS25281-R3	.CLAMP . . . . .	1	1	
	33-001-001-1	.SUPPORT INSTL . . . . .	6	0	
92	MS21042L3	..NUT . . . . .	1	1	
93	MS35338-43	..WASHER . . . . .	2	1	
94	AN960D10L	..WASHER (REPLACED BY NAS1149D0316H) . . . . .	4	0	
94	NAS1149D0316H	..WASHER (REPLACES AN960D10L) . . . . .	4		
95	MS35650-302	..NUT . . . . .	1	1	

(1) INDEX NUMBER	(2) PART NUMBER	(3) ITEM NAME	(4) UNIT PER ASSY	(5) A V A I L	(6) U O C
		<b>FIGURE: 97-5. Panel kit, ICS audio W/VHF, ADF and OMNI provisions (S/N 2212 thru SUB) (Cont'd)</b>			
96	MS35207-265	..SCREW . . . . .	3	1	
97	MS35489-8	.GROMMET . . . . .	2	1	
98	MS35206-228	.SCREW (USBL ON 206-705-008-133) . . . . .	4	1	
99	AN960PD6L	.WASHER (REPLACED BY AN960JD6L) (USBL ON . . . . . 206-705-008-133)	4		
99	AN960JD6L	.WASHER (REPLACES AN960PD6L) (REPLACED BY . . . . . NAS1149DN616J) (USBL ON 206-705-008-133)	4	1	
99	NAS1149DN616J	.WASHER (REPLACES AN960JD6L) (USBL ON . . . . . 206-705-008-133)	4	1	
100	206-077-501-001	.SUPPORT ASSY (USBL ON 206-705-008-133) . . . . .	1	1	
101	MS21075L06	..NUTPLATE (REPLACED BY MS21075L06N) . . . . .	4		
101	MS21075L06N	..NUTPLATE (REPLACES MS21075L06) . . . . .	4	1	
102	MS21042L04	.NUT (USBL ON 206-705-008-133) . . . . .	4	1	
103	MS35206-218	.SCREW (USBL ON 206-705-008-133) . . . . .	4	1	
104	AN960PD4L	.WASHER (REPLACED BY AN960JD4L) (USBL ON . . . . . 206-705-008-133)	4		
104	AN960JD4L	.WASHER (REPLACES AN960PD4L) (REPLACED BY . . . . . NAS1149DN416J) (USBL ON 206-705-008-133)	4	1	
104	NAS1149DN416J	.WASHER (REPLACES AN960JD4L) (USBL ON . . . . . 206-705-008-133)	4	1	
105	4006	.SPACER (USBL ON 206-705-008-133) . . . . .	4	6	
106	206-077-500-001	.CIRCUIT ASSY (USBL ON 206-705-008-133) . . . . .	1	1	
107	D20418-2	..JACKSCREW . . . . .	2	1	
108	30-144-3	..CONNECTOR . . . . .	1	6	
109	M39016/6-109L	..RELAY . . . . .	4	1	
		(ALTERNATE PART)			
109	M5757-9-004	..RELAY . . . . .	4		
110	JAN1N645	..DIODE . . . . .	19	1	
111	TT50X20B	..CAPACITOR . . . . .	1		
112	MS3420-6	.BUSHING . . . . .	1	1	
113	MS35489-11	.GROMMET . . . . .	1	1	
	33-001-102-1	.SUPPORT INSTL . . . . .	7	0	
114	MS21042L3	..NUT . . . . .	1	1	
115	AN960JD10L	..WASHER (REPLACED BY NAS1149D0332J) . . . . .	1		
115	NAS1149D0332J	..WASHER (REPLACES AN960JD10L) . . . . .	1		
116	NAS43DD3-16	..SPACER . . . . .	1		
117	MS27039-1-12	..SCREW . . . . .	1	1	
118	MS25281-R3	.CLAMP . . . . .	7	1	
119	MS27039-1-08	.SCREW . . . . .	2	1	
120	AN960PD10L	.WASHER (REPLACED BY AN960JD10L) . . . . .	2		
120	AN960JD10L	.WASHER (REPLACES AN960PD10L) (REPLACED BY . . . . . NAS1149D0332J)	2		
120	NAS1149D0332J	.WASHER (REPLACES AN960JD10L) . . . . .	2		
121	20-032-3	.BRACKET . . . . .	1	1	
122	90-002-2	.NUT . . . . .	1	1	
123	MS25281-R12	.CLAMP . . . . .	4	1	



(1) INDEX NUMBER	(2) PART NUMBER	(3) ITEM NAME	(4) UNIT PER ASSY	(5) A V A I L	(6) U O C						
		<p><b>FIGURE: 97-5. Panel kit, ICS audio W/VHF, ADF and OMNI provisions (S/N 2212 thru SUB) (Cont'd)</b></p> <p style="text-align: center;">USABLE ON CODES</p> <table border="0" style="margin-left: auto; margin-right: auto;"> <tr> <td style="padding-right: 20px;">CODE</td> <td style="padding-right: 20px;">MODEL</td> <td>SERIAL NUMBER</td> </tr> <tr> <td>A</td> <td>206BIII</td> <td></td> </tr> </table> <p>1) UNLESS A USABLE ON PART NUMBER IS LISTED IN THE ITEM NAME COLUMN; NO CODE INDICATES THE PART APPLIES TO ALL SERIAL NUMBERS.</p> <p>2) IF THE SERIAL NUMBER IS BLANK THE PART APPLIES TO ALL SERIAL NUMBERS FOR THAT MODEL.</p>	CODE	MODEL	SERIAL NUMBER	A	206BIII				
CODE	MODEL	SERIAL NUMBER									
A	206BIII										



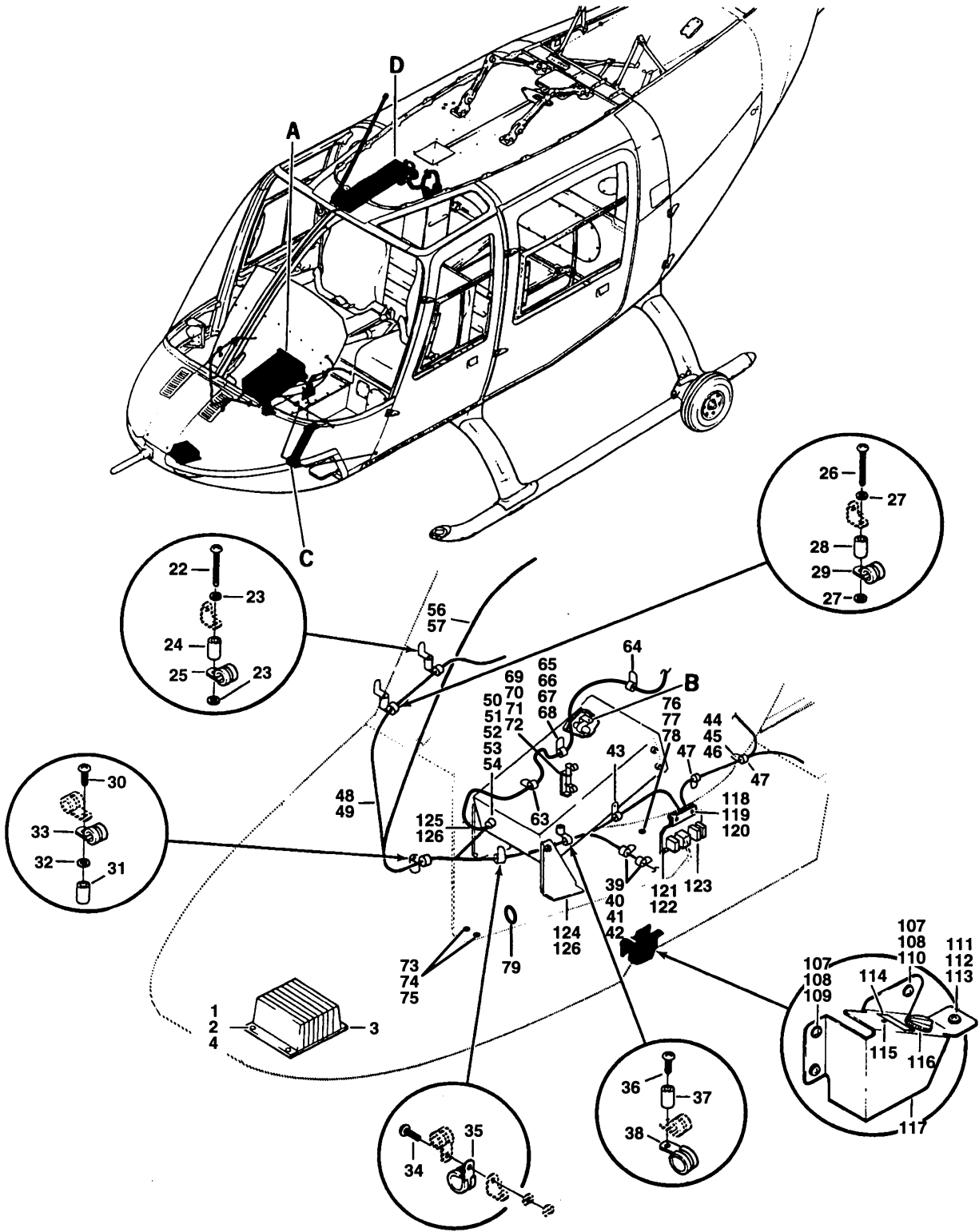
206A/B/B3-97-1006  
C0001

Figure 97-6. Panel kit, ICS audio W/VHF, ADF and OMNI provisions (S/N 2212 thru SUB)

(1) INDEX NUMBER	(2) PART NUMBER	(3) ITEM NAME	(4) UNIT PER ASSY	(5) A V A I L	(6) U O C
		<b>FIGURE: 97-6. Panel kit, ICS audio W/VHF, ADF and OMNI provisions (S/N 2212 thru SUB)</b>			
	206-705-008-133	PANEL KIT, ICS AUDIO W/VHF, ADF AND OMNI . . . . .	REF	6	A
		PROVISIONS (SEE FIG. 5 FOR BALANCE OF BREAKDOWN)			
	206-705-008-137	PANEL KIT, ICS AUDIO W/VHF, ADF AND OMNI . . . . .	REF	6	A
		PROVISIONS (SEE FIG. 5 FOR BALANCE OF BREAKDOWN)			
	206-705-008-159	PANEL KIT, ICS AUDIO W/VHF, ADF AND OMNI . . . . .	REF	6	A
		PROVISIONS (SEE FIG. 5 FOR BALANCE OF BREAKDOWN)			
	206-705-008-161	PANEL KIT, ICS AUDIO W/VHF, ADF AND OMNI . . . . .	REF		A
		PROVISIONS (SEE FIG. 5 FOR BALANCE OF BREAKDOWN)			
	206-705-008-163	PANEL KIT, ICS AUDIO W/VHF, ADF AND OMNI . . . . .	REF		A
		PROVISIONS (SEE FIG. 5 FOR BALANCE OF BREAKDOWN)			
1	MS26574-3	.CIRCUIT BREAKER (REFERENCE DESIGNATOR 2301CB3) . .	1	1	
2	MS26574-1	.CIRCUIT BREAKER (REFERENCE DESIGNATOR 2301CB2) . .	1	1	
3	30-006-5-26	.BUS BAR CONNECTOR . . . . .	1	1	
4	MS21042L08	.NUT . . . . .	8	1	
5	AN960PD8L	.WASHER (REPLACED BY AN960JD8L) . . . . .	8		
5	AN960JD8L	.WASHER (REPLACES AN960PD8L) (REPLACED BY . . . . .	8	1	
		NAS1149DN816J)			
5	NAS1149DN816J	.WASHER (REPLACES AN960JD8L) . . . . .	8		
6	MS27039-0808	.SCREW . . . . .	8	1	
7	4A2Z80T	.SPEAKER (REPLACED BY 4C3Z80T) (REFERENCE . . . . .	2		
		DESIGNATOR 2301LS1,2301LS2)			
7	4C3Z80T	.SPEAKER (REPLACES 4A2Z80T) (REFERENCE . . . . .	2	1	
		DESIGNATOR 2301LS1,2301LS2)			
8	80-012-5	.KNOB . . . . .	1	1	
9	L4	.ATTENUATOR (REFERENCE DESIGNATOR 2301R1) . . . . .	1	1	
10	206-075-562-001	.DECAL (SPEAKER VOLUME) . . . . .	1	6	
11	MS21042L08	.NUT . . . . .	6	1	
12	AN960PD8L	.WASHER (REPLACED BY AN960JD8L) . . . . .	6		
12	AN960JD8L	.WASHER (REPLACES AN960PD8L) (REPLACED BY . . . . .	6	1	
		NAS1149DN816J)			
12	NAS1149DN816J	.WASHER (REPLACES AN960JD8L) . . . . .	6		
13	MS24693-S49	.SCREW . . . . .	6	1	
14	050-1780-00	.CONNECTOR KIT (USBL ON 206-705-008-133) . . . . .	1	6	
14	050-1780-03	.CONNECTOR KIT (USBL ON 206-705-008-137) . . . . .	1	1	
15	066-1055-52	.AUDIO PANEL (KMA24H-52) (USBL ON . . . . .	1	6	
		206-705-008-133) (REFERENCE DESIGNATOR 2301A1)			
15	066-1055-71	.AUDIO PANEL (KMA24H-71) (USBL ON . . . . .	1	1	
		206-705-008-137) (REFERENCE DESIGNATOR 2301A1)			
16	MS21042L08	.NUT (USBL ON 206-705-008-137) . . . . .	12	1	
17	AN960JD8L	.WASHER (REPLACED BY NAS1149DN816J) (USBL ON . . . . .	12	1	
		206-705-008-137)			
17	NAS1149DN816J	.WASHER (REPLACES AN960JD8L) (USBL ON . . . . .	12		
		206-705-008-137)			
18	MS27039-0806	.SCREW (USBL ON 206-705-008-137) . . . . .	12	1	
19	206-077-113-111	.COVER (USE WHEN KX-155 IS NOT INSTALLED) (USBL . . . . .	1	6	
		ON 206-705-008-137).			
20	206-077-113-107	.COVER (USE WHEN KT76A IS NOT INSTALLED) (USBL ON . . . . .	1	6	
		206-705-008-137)			

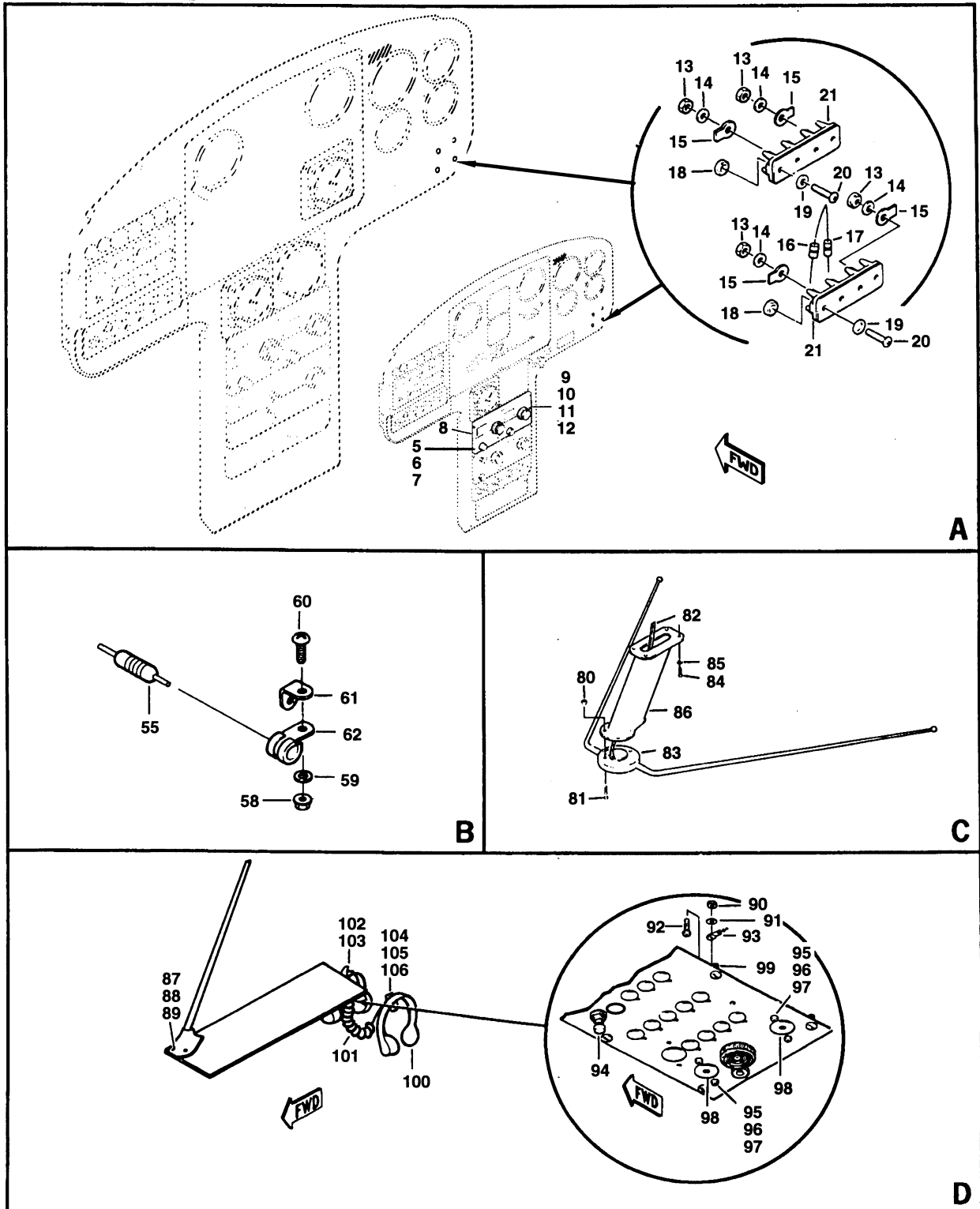


(1) INDEX NUMBER	(2) PART NUMBER	(3) ITEM NAME	(4) UNIT PER ASSY	(5) A V A I L	(6) U O C
<b>FIGURE: 97-6. Panel kit, ICS audio W/VHF, ADF and OMNI provisions (S/N 2212 thru SUB) (Cont'd)</b>					
21	206-077-113-109	.COVER (USE WHEN AUDIO PANEL IS NOT INSTALLED) . . . . (USBL ON 206-705-008-137)	1	6	
	206-961-513-101	.INTERIOR MOD . . . . .	1		
22	206-072-170-101	.GRILL . . . . .	2	1	
23	MS26574-5	.CIRCUIT BREAKER (REFERENCE DESIGNATOR 3406CB1) . .	1	1	
24	MS27039-1-08	.SCREW (USBL ON 206-705-008-133) . . . . .	2	1	
25	AN960PD10L	.WASHER (REPLACED BY AN960JD10L) (USBL ON . . . . . 206-705-008-133)	2		
25	AN960JD10L	.WASHER (REPLACES AN960PD10L) (REPLACED BY . . . . . NAS1149D0332J) (USBL ON 206-705-008-133)	2		
25	NAS1149D0332J	.WASHER (REPLACES AN960JD10L) (USBL ON . . . . . 206-705-008-133)	2		
26	JT10139	.HOLDER, MICROPHONE (USBL ON 206-705-008-133) . . . (ALTERNATE PART)	1	6	
26	CTE-10139	.HOLDER, MICROPHONE (USBL ON 206-705-008-133) . . .	1	6	
27	JT85UB	.MICROPHONE (USBL ON 206-705-008-133) (REPLACED . . BY JT-85/U(B))	1	0	
27	JT-85/U(B)	.MICROPHONE (USBL ON 206-705-008-133) (REPLACES . . JT85UB)	1	1	
28	206-077-004-103	.CABLE ASSY (USBL ON 206-705-008-133) . . . . .	1	6	
29	RCR32G390JM	..RESISTOR . . . . . (ALTERNATE PART)	1		
29	RCR32G390JS	..RESISTOR . . . . .	1	6	
30	M39029/1-101	..CONTACT . . . . .	1	1	
USABLE ON CODES					
CODE      MODEL                      SERIAL NUMBER					
A          206BIII					
1) UNLESS A USABLE ON PART NUMBER IS LISTED IN THE ITEM NAME COLUMN; NO CODE INDICATES THE PART APPLIES TO ALL SERIAL NUMBERS.					
2) IF THE SERIAL NUMBER IS BLANK THE PART APPLIES TO ALL SERIAL NUMBERS FOR THAT MODEL .					



206A/B/B3-97-1007-1  
C0000

Figure 97-7. VHF and ICS, KX-170 provisions kit (Sheet 1 of 2)



206A/B/B3-97-1007-2  
C0000

Figure 97-7. VHF and ICS, KX-170 provisions kit (Sheet 2)

(1) INDEX NUMBER	(2) PART NUMBER	(3) ITEM NAME	(4) UNIT PER ASSY	(5) A V A I L	(6) U O C
		<b>FIGURE: 97-7. VHF and ICS, KX-170 provisions kit</b>			
	206-706-326-027	VHF AND ICS, KX-170 PROVISIONS KIT . . . . .	1		A
	206-706-326-041	VHF AND ICS, KX-170 PROVISIONS KIT . . . . .	1		B
1	MS35206-245	.SCREW . . . . .	4		
2	AN960PD8L	.WASHER (REPLACED BY AN960JD8L) . . . . .	4		
2	AN960JD8L	.WASHER (REPLACES AN960PD8L) . . . . .	4		
3	206-075-590-001	.SUPPORT ASSY . . . . .	1		
4	MS21059L08K	.NUTPLATE . . . . .	2		
5	MS21042L08	.NUT . . . . .	4		
6	AN960PD8L	.WASHER (REPLACED BY AN960JD8L) . . . . .	4		
6	AN960JD8L	.WASHER (REPLACES AN960PD8L) . . . . .	4		
7	MS35206-243	.SCREW . . . . .	4		
8	206-075-350-003	.COVER (USBL ON 206-706-326-027) . . . . .	1		
8	206-075-293-007	.COVER (USBL ON 206-706-326-041) . . . . .	1		
9	MS21042L08	.NUT . . . . .	6		
10	AN960PD8L	.WASHER (REPLACED BY AN960JD8L) . . . . .	4		
10	AN960JD8L	.WASHER (REPLACES AN960PD8L) . . . . .	4		
11	AN960PD8L	.WASHER (REPLACED BY AN960JD8L) (USBL ON . . . . . 206-706-326-027)	2		
11	AN960JD8L	.WASHER (REPLACES AN960PD8L) (USBL ON . . . . . 206-706-326-027)	2		
11	AN960D8L	.WASHER (USBL ON 206-706-326-041) . . . . .	2		
12	MS35206-243	.SCREW . . . . .	6		
13	MS21042L06	.NUT (USBL ON 206-706-326-027) . . . . .	6		
13	MS21043-06	.NUT (USBL ON 206-706-326-041) . . . . .	6		
14	AN961-6T	.WASHER (USBL ON 206-706-326-027) . . . . .	6		
14	AN960C6L	.WASHER (USBL ON 206-706-326-041) . . . . .	6		
15	MS3373A1	.STRIP (REPLACED BY MS3373-A1) . . . . .	4		
15	MS3373-A1	.STRIP (REPLACES MS3373A1) . . . . .	4		
16	110-054E330	.RESISTOR (REFERENCE DESIGNATOR R47) . . . . .	1		
17	110-054E391	.RESISTOR (REFERENCE DESIGNATOR R48) . . . . .	1		
18	MS21042L04	.NUT . . . . .	4		
19	AN960PD4L	.WASHER (REPLACED BY AN960JD4L) . . . . .	4		
19	AN960JD4L	.WASHER (REPLACES AN960PD4L) . . . . .	4		
20	MS35206-215	.SCREW . . . . .	4		
21	MS27212-1-3	.TERMINAL BOARD (REFERENCE DESIGNATOR . . . . . TB30, TB31)	2		
22	MS35207-270	.SCREW (USBL ON 206-706-326-027) . . . . .	1		
23	AN960PD10L	.WASHER (REPLACED BY AN960JD10L) (USBL ON . . . . . 206-706-326-027)	2		
23	AN960JD10L	.WASHER (REPLACES AN960PD10L) (USBL ON . . . . . 206-706-326-027)	2		
24	MS25281R5	.CLAMP (REPLACED BY MS25281-R5) (USBL ON . . . . . 206-706-326-027)	1		
24	MS25281-R5	.CLAMP (REPLACES MS25281R5) (USBL ON . . . . . 206-706-326-027)	1		
25	NAS43DD3-32	.SPACER (REPLACED BY NAS43DD3-32N) (USBL ON . . . . . 206-706-326-027)	1		
25	NAS43DD3-32N	.SPACER (REPLACES NAS43DD3-32) (USBL ON . . . . . 206-706-326-027)	1		
26	MS35207-271	.SCREW (USBL ON 206-706-326-027) . . . . .	1		



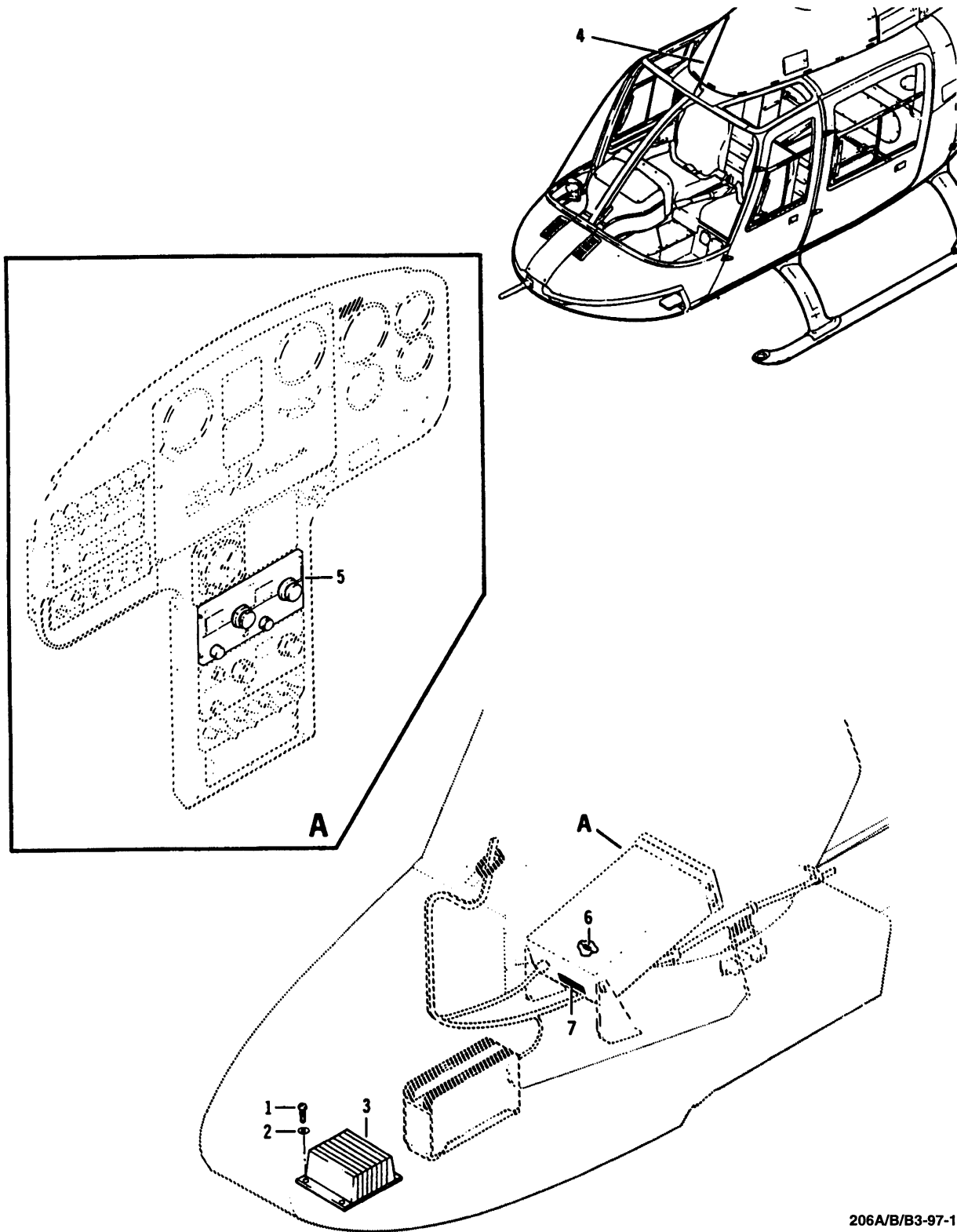
(1) INDEX NUMBER	(2) PART NUMBER	(3) ITEM NAME	(4) UNIT PER ASSY	(5) A V A I L	(6) U O C
		<b>FIGURE: 97-7. VHF and ICS, KX-170 provisions kit (Cont'd)</b>			
27	AN960PD10L	.WASHER (REPLACED BY AN960JD10L) . . . . .	2		
27	AN960JD10L	.WASHER (REPLACES AN960PD10L) . . . . .	2		
28	NAS43DD3-32	.SPACER (REPLACED BY NAS43DD3-32N) (USBL ON . . . . . 206-706-326-027)	1		
28	NAS43DD3-32N	.SPACER (REPLACES NAS43DD3-32) (USBL ON . . . . . 206-706-326-027)	1		
29	MS25281R5	.CLAMP (REPLACED BY MS25281-R5) (USBL ON . . . . . 206-706-326-027)	1		
29	MS25281-R5	.CLAMP (REPLACES MS25281R5) (USBL ON . . . . . 206-706-326-027)	1		
30	MS35207-268	.SCREW (USBL ON 206-706-326-027) . . . . .	1		
31	NAS43DD3-40	.SPACER (REPLACED BY NAS43DD3-40N) (USBL ON . . . . . 206-706-326-027)	1		
31	NAS43DD3-40N	.SPACER (REPLACES NAS43DD3-40) (USBL ON . . . . . 206-706-326-027)	1		
32	AN960PD10L	.WASHER (REPLACED BY AN960JD10L) (USBL ON . . . . . 206-706-326-027)	1		
32	AN960JD10L	.WASHER (REPLACES AN960PD10L) (USBL ON . . . . . 206-706-326-027)	1		
33	MS25281R8	.CLAMP (REPLACED BY MS25281-R8) (USBL ON . . . . . 206-706-326-027)	1		
33	MS25281-R8	.CLAMP (REPLACES MS25281R8) (USBL ON . . . . . 206-706-326-027)	1		
34	MS35207-265	.SCREW (USBL ON 206-706-326-027) . . . . .	1		
35	MS25281R9	.CLAMP (REPLACED BY MS25281-R9) (USBL ON . . . . . 206-706-326-027)	1		
35	MS25281-R9	.CLAMP (REPLACES MS25281R9) (USBL ON . . . . . 206-706-326-027)	1		
36	MS35207-268	.SCREW (USBL ON 206-706-326-027) . . . . .	1		
37	NAS43DD3-32	.SPACER (REPLACED BY NAS43DD3-32N) (USBL ON . . . . . 206-706-326-027)	1		
37	NAS43DD3-32N	.SPACER (REPLACES NAS43DD3-32) (USBL ON . . . . . 206-706-326-027)	1		
38	MS25281R9	.CLAMP (REPLACED BY MS25281-R9) (USBL ON . . . . . 206-706-326-027)	1		
38	MS25281-R9	.CLAMP (REPLACES MS25281R9) (USBL ON . . . . . 206-706-326-027)	1		
39	MS21042L08	.NUT (USBL ON 206-706-326-027) . . . . .	2		
40	AN960PD8L	.WASHER (REPLACED BY AN960JD8L) (USBL ON . . . . . 206-706-326-027)	2		
40	AN960JD8L	.WASHER (REPLACES AN960PD8L) (USBL ON . . . . . 206-706-326-027)	2		
41	MS35206-246	.SCREW (USBL ON 206-706-326-027) . . . . .	2		
42	MS25281R3	.CLAMP (REPLACED BY MS25281-R3) . . . . .	2		
42	MS25281-R3	.CLAMP (REPLACES MS25281R3) . . . . .	2		
43	MS25281R8	.CLAMP (REPLACED BY MS25281-R8) . . . . .	1		
43	MS25281-R8	.CLAMP (REPLACES MS25281R8) . . . . .	1		
44	MS21042L3	.NUT (USBL ON 206-706-326-027) . . . . .	1		
45	AN960PD10L	.WASHER (REPLACED BY AN960JD10L) (USBL ON . . . . . 206-706-326-027)	1		

(1) INDEX NUMBER	(2) PART NUMBER	(3) ITEM NAME	(4) UNIT PER ASSY	(5) A V A I L	(6) U O C
		<b>FIGURE: 97-7. VHF and ICS, KX-170 provisions kit (Cont'd)</b>			
45	AN960JD10L	.WASHER (REPLACES AN960PD10L) (USBL ON 206-706-326-027)	1		
46	MS35207-263	.SCREW (USBL ON 206-706-326-027)	1		
47	MS25281R6	.CLAMP (REPLACED BY MS25281-R6) (USBL ON 206-706-326-027)	2		
47	MS25281-R6	.CLAMP (REPLACES MS25281R6) (USBL ON 206-706-326-027)	2		
48	206-075-593-001	.CABLE ASSY (USBL ON 206-706-326-027)	1		
48	206-075-593-005	.CABLE ASSY (USBL ON 206-706-326-041)	1		
49	050-1142-00	..INSTALLATION KIT	1		
50	MRAC145N7HVL	..CONNECTOR (REFERENCE DESIGNATOR P45)	1		
51	100-1016S	..CONTACT	1		
52	100-1018S	..CONTACT (USBL ON 206-075-593-001)	4		
53	100-1018S	..CONTACT (USBL ON 206-075-593-005)	13		
54	8BDJ10S	..CONNECTOR (REFERENCE DESIGNATOR P100)	1		
55	D45153	..CAPACITOR (REFERENCE DESIGNATOR C8)	1		
56	206-075-593-003	.CABLE ASSY (USBL ON 206-706-326-027)	1		
56	206-075-593-007	.CABLE ASSY (USBL ON 206-706-326-041)	1		
57	KC59-126	..CONNECTOR (REPLACED BY M39012/20-0503) (REFERENCE DESIGNATOR P17)	1		
57	M39012/20-0503	..CONNECTOR (REPLACES KC59-126) (REFERENCE DESIGNATOR P17)	1		
58	MS21042L3	.NUT	1		
59	AN960PD10L	.WASHER (REPLACED BY AN960JD10L)	1		
59	AN960JD10L	.WASHER (REPLACES AN960PD10L)	1		
60	MS35207-263	.SCREW	1		
61	20-032-1	.BRACKET	1		
62	MS21919WDG14	.CLAMP	1		
63	MS25281R8	.CLAMP (REPLACED BY MS25281-R8) (USBL ON 206-706-326-041)	1		
63	MS25281-R8	.CLAMP (REPLACES MS25281R8) (USBL ON 206-706-326-041)	1		
64	MS25281R14	.CLAMP (REPLACED BY MS25281-R14) (USBL ON 206-706-326-041)	1		
64	MS25281-R14	.CLAMP (REPLACES MS25281R14) (USBL ON 206-706-326-041)	1		
65	MS21042L3	.NUT (USBL ON 206-706-326-041)	1		
66	AN960PD10L	.WASHER (REPLACED BY AN960JD10L) (USBL ON 206-706-326-041)	1		
66	AN960JD10L	.WASHER (REPLACES AN960PD10L) (USBL ON 206-706-326-041)	1		
67	MS35207-263	.SCREW (USBL ON 206-706-326-041)	1		
68	MS25281R4	.CLAMP (REPLACED BY MS25281-R4) (USBL ON 206-706-326-041)	1		
68	MS25281-R4	.CLAMP (REPLACES MS25281R4) (USBL ON 206-706-326-041)	1		
69	AN960PD10L	.WASHER (REPLACED BY AN960JD10L) (USBL ON 206-706-326-041)	1		
69	AN960JD10L	.WASHER (REPLACES AN960PD10L) (USBL ON 206-706-326-041)	1		

(1) INDEX NUMBER	(2) PART NUMBER	(3) ITEM NAME	(4) UNIT PER ASSY	(5) A V A I L	(6) U O C
		<b>FIGURE: 97-7. VHF and ICS, KX-170 provisions kit (Cont'd)</b>			
70	MS35207-269	.SCREW (USBL ON 206-706-326-041) . . . . .	1		
71	NAS43DD3-24	.SPACER (REPLACED BY NAS43DD3-24N) (USBL ON . . . . .	1		
71	NAS43DD3-24N	206-706-326-041) .SPACER (REPLACES NAS43DD3-24) (USBL ON . . . . .	1		
72	MS25281R3	206-706-326-041) .CLAMP (REPLACED BY MS25281-R3) (USBL ON . . . . .	1		
72	MS25281-R3	206-706-326-041) .CLAMP (REPLACES MS25281R3) (USBL ON . . . . .	1		
73	MS21042L3	206-706-326-041) .NUT (USBL ON 206-706-326-041) . . . . .	1		
74	AN960PD10L	.WASHER (REPLACED BY AN960JD10L) (USBL ON . . . . .	3		
74	AN960JD10L	206-706-326-041) .WASHER (REPLACES AN960PD10L) (USBL ON . . . . .	3		
75	MS35207-263	206-706-326-041) .SCREW (USBL ON 206-706-326-041) . . . . .	1		
76	MS21042L3	.NUT (USBL ON 206-706-326-041) . . . . .	1		
77	AN960D10L	.WASHER (USBL ON 206-706-326-041) . . . . .	3		
78	MS35207-263	.SCREW (USBL ON 206-706-326-041) . . . . .	1		
79	MS35489-1	.GROMMET . . . . .	1		
80	MS21042L06	.NUT . . . . .	2		
81	MS35206-231	.SCREW . . . . .	3		
82	206-075-379-025	.CABLE ASSY . . . . .	1		
83	VRP-37	.ANTENNA, NAVIGATION . . . . .	1		
84	MS35206-243	.SCREW . . . . .	4		
85	AN960PD8L	.WASHER (REPLACED BY AN960JD8L) . . . . .	4		
85	AN960JD8L	.WASHER (REPLACES AN960PD8L) . . . . .	4		
86	206-075-371-001	.SUPPORT . . . . .	1		
87	MS21042L3	.NUT . . . . .	3		
88	AN960D10L	.WASHER . . . . .	3		
89	MS35266-63	.SCREW . . . . .	3		
90	MS21042L3	.NUT . . . . .	1		
91	AN960D10L	.WASHER . . . . .	1		
92	MS27039-1-06	.SCREW . . . . .	1		
93	206-075-378-005	.CABLE ASSY . . . . .	1		
94	MS26574-5	.CIRCUIT BREAKER (REFERENCE DESIGNATOR CB3) . . . . .	1		
95	MS21042L02	.NUT . . . . .	4		
96	AN960PD3L	.WASHER (REPLACED BY AN960JD3L) . . . . .	4		
96	AN960JD3L	.WASHER (REPLACES AN960PD3L) . . . . .	4		
97	MS35206-204	.SCREW . . . . .	4		
98	30-102-1	.CONNECTOR (REFERENCE DESIGNATOR J41L, J41R) . . . . .	2		
99	206-075-086-013	.BUS BAR . . . . .	1		
100	213D400-1	.HEADSET (REPLACED BY 213-400-1) (REPLACED BY . . . . .	2		
		JT-2000H)			
100	213-400-1	.HEADPHONE (REPLACES 213D400-1) (REPLACED BY . . . . .	2		
		JT-2000H)			
		(ALTERNATE PART)			
100	136D303-1	.HEADSET (REPLACED BY JT-2000H) . . . . .	2		
100	JT-2000H	.PAD (REPLACES 213D400-1 AND 136D303-1) . . . . .	2		
101	206-075-381-003	.CABLE ASSY . . . . .	2		
		(ALTERNATE PARTS)			

(1) INDEX NUMBER	(2) PART NUMBER	(3) ITEM NAME	(4) UNIT PER ASSY	(5) A V A I L	(6) U O C
		<b>FIGURE: 97-7. VHF and ICS, KX-170 provisions kit (Cont'd)</b>			
101	6115120	.CABLE ASSY . . . . .	2		
101	6109120	.CABLE ASSY . . . . .	2		
102	U93A/U	..CONNECTOR (REPLACED BY M9177/1-1) (REFERENCE . . . DESIGNATOR P41L, P41R)	1		
102	M9177/1-1	..CONNECTOR (REPLACES U93A/U) (REFERENCE . . . . . DESIGNATOR P41L, P41R)	1		
103	20037-1	..HEADSET CORD . . . . .	1		
104	MS35206-228	.SCREW . . . . .	4		
105	AN960PD8L	.WASHER (REPLACED BY AN960JD8L) . . . . .	4		
105	AN960JD8L	.WASHER (REPLACES AN960PD8L) . . . . .	4		
106	47-769-096-1	.HANGER, HEADSET, HEADSET . . . . .	2		
107	MS21069L3	.NUTPLATE (USBL ON 206-706-326-027) . . . . .	2		
107	NAS1329A3K80	.RIVNUT, BLIND (USBL ON 206-706-326-041) . . . . .	2		
108	AN960PD10L	.WASHER (REPLACED BY AN960JD10L) . . . . .	3		
108	AN960JD10L	.WASHER (REPLACES AN960PD10L) . . . . .	3		
109	MS27039-1-06	.SCREW . . . . .	3		
110	NAS1329A3K80	.RIVNUT, BLIND . . . . .	1		
111	MS27039-1-06	.SCREW . . . . .	1		
112	AN960PD10L	.WASHER (REPLACED BY AN960JD10L) . . . . .	1		
112	AN960JD10L	.WASHER (REPLACES AN960PD10L) . . . . .	1		
113	80-004-2-10	.INSERT . . . . .	1		
114	31-006-36	.DECAL . . . . .	1		
115	MS35207-226	.SCREW (USBL ON 206-706-326-027) . . . . .	2		
115	MS35207-230	.SCREW (USBL ON 206-706-326-041) . . . . .	2		
116	8870K2	.MIC SWITCH (REPLACED BY M8805/55-001) . . . . . (REFERENCE DESIGNATOR S87)	1		
116	M8805/55-001	.SWITCH (REPLACES 8870K2) (REFERENCE DESIGNATOR . . S87)	1		
117	206-031-215-011	.BRACKET . . . . .	1		
118	MS21042L04	.NUT . . . . .	2		
119	AN960PD4	.WASHER (REPLACED BY AN960JD4) . . . . .	6		
119	AN960JD4	.WASHER (REPLACES AN960PD4) . . . . .	6		
120	MS35206-219	.SCREW . . . . .	2		
121	MS35206-226	.SCREW . . . . .	2		
122	MS35333-37	.WASHER . . . . .	2		
123	206-075-210-001	.WIRING BOARD ASSY . . . . .	1		
124	206-075-349-005	.SUPPORT (USBL ON 206-706-326-027) . . . . .	1		
124	206-075-292-003	.SUPPORT (USBL ON 206-706-326-041) . . . . .	1		
125	206-075-349-006	.SUPPORT (USBL ON 206-706-326-027) . . . . .	1		
125	206-075-292-004	.SUPPORT (USBL ON 206-706-326-041) . . . . .	1		
126	120-038E16-6	.SHIM (USBL ON 206-706-326-027) . . . . .	6		

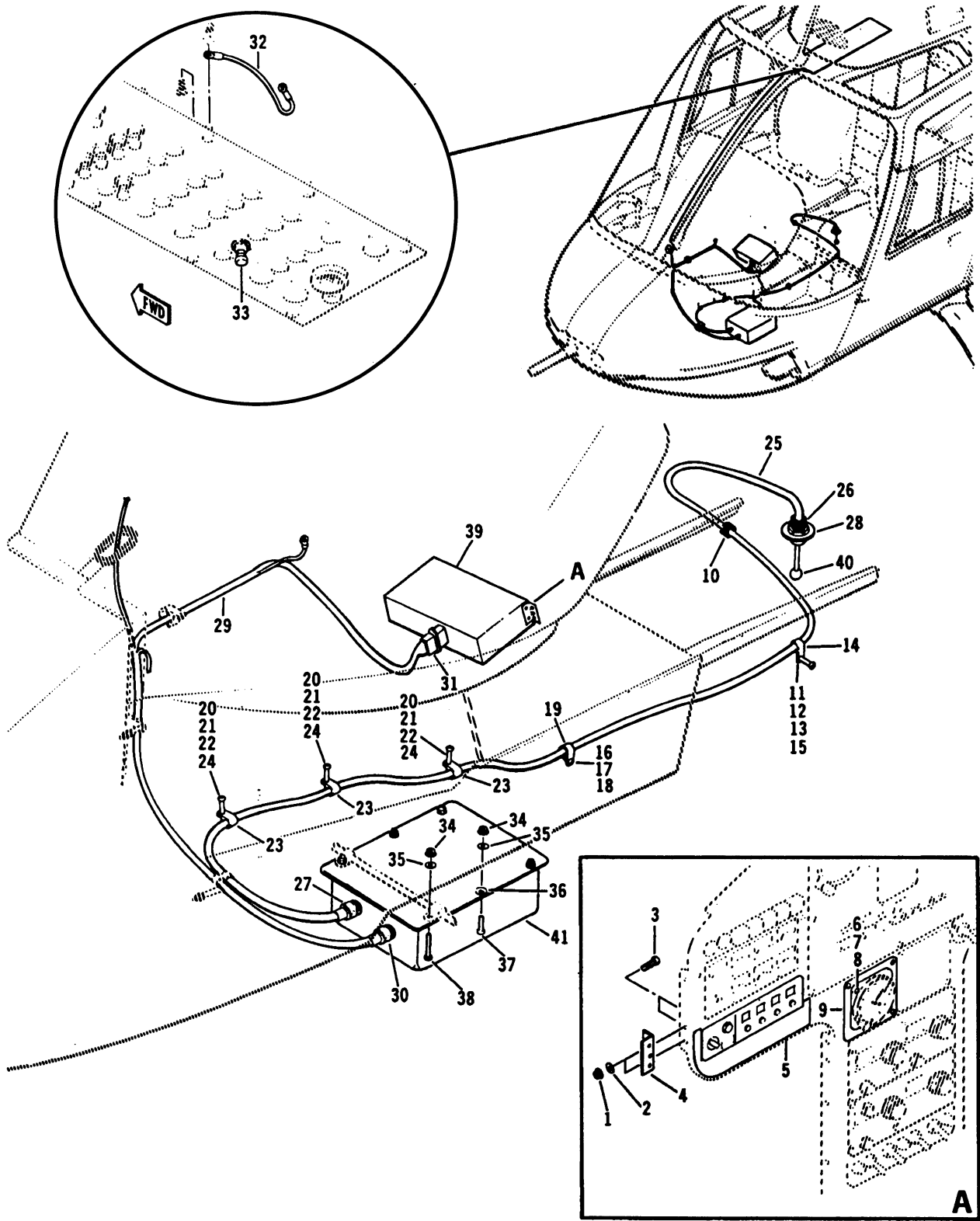
(1) INDEX NUMBER	(2) PART NUMBER	(3) ITEM NAME	(4) UNIT PER ASSY	(5) A V A I L	(6) U O C									
		<p><b>FIGURE: 97-7. VHF and ICS, KX-170 provisions kit (Cont'd)</b></p> <p style="text-align: center;">USABLE ON CODES</p> <table border="0" style="margin-left: auto; margin-right: auto;"> <tr> <td style="padding-right: 20px;">CODE</td> <td style="padding-right: 40px;">MODEL</td> <td>SERIAL NUMBER</td> </tr> <tr> <td>A</td> <td>206A/B</td> <td></td> </tr> <tr> <td>B</td> <td>206BIII</td> <td></td> </tr> </table> <p>1) UNLESS A USABLE ON PART NUMBER IS LISTED IN THE ITEM NAME COLUMN; NO CODE INDICATES THE PART APPLIES TO ALL SERIAL NUMBERS.</p> <p>2) IF THE SERIAL NUMBER IS BLANK THE PART APPLIES TO ALL SERIAL NUMBERS FOR THAT MODEL.</p>	CODE	MODEL	SERIAL NUMBER	A	206A/B		B	206BIII				
CODE	MODEL	SERIAL NUMBER												
A	206A/B													
B	206BIII													



206A/B/B3-97-1008  
C0000

Figure 97-8. VHF and ICS EQUIPMENT, KX170 kit

(1) INDEX NUMBER	(2) PART NUMBER	(3) ITEM NAME	(4) UNIT PER ASSY	(5) A V A I L	(6) U O C
		<b>FIGURE: 97-8. VHF and ICS EQUIPMENT, KX170 kit</b>			
	206-706-326-029	VHF AND ICS EQUIP, KX170 KIT . . . . .	1		AB
	206-706-326-043	VHF AND ICS EQUIP, KX170 KIT . . . . .	1		BC
1	MS35206-244	.SCREW . . . . .	2		
2	AN960PD8L	.WASHER (REPLACED BY AN960JD8L) . . . . .	2		
2	AN960JD8L	.WASHER (REPLACES AN960PD8L) . . . . .	2		
3	071-1041-01	.CONVERTER, VOLTAGE (USBL ON 206-706-326-043) . . . (REFERENCE DESIGNATOR VR3) (ALTERNATE PART)	1		
3	KR-38	.CONVERTER, VOLTAGE (USBL ON 206-706-326-043) . . . (REFERENCE DESIGNATOR VR3)	1		
3	KA-39	.CONVERTER, VOLTAGE (USBL ON 206-706-326-029) . . . (REFERENCE DESIGNATOR VR3)	1		
4	25060	.ANTENNA ASSY, A-25 (REPLACED BY 25060-00000) . . . . .	1		
4	25060-00000	.ANTENNA ASSY, A-25 (REPLACES 25060) . . . . . (ALTERNATE PART)	1		
4	37670-00000	.ANTENNA ASSY, A-25 (REPLACED BY 25060-00000) . . . . .	1		
4	25060-00000	.ANTENNA ASSY, A-25 (REPLACES 37670-00000) . . . . .	1		
5	069-1014-00/KX170	.TRANSCEIVER, NAV-COM (REPLACED BY . . . . . 069-1017-00/KX170A)	1		
5	069-1017-00/KX170A	.TRANSCEIVER, NAV-COM (REPLACES . . . . . 069-1014-00/KX170) (ALTERNATE PARTS)	1		
5	069-1017-00/KX-170A	.TRANSCEIVER, NAV-COM . . . . .	1		
5	069-020-00/KX170B	.TRANSCEIVER, NAV-COM (REPLACED BY 069-1020-02) . .	1		
5	069-1020-02	.TRANSCEIVER, NAV-COM (REPLACES . . . . . 069-020-00/KX170B)	1		
6	RCR20G180JM	.RESISTOR (REFERENCE DESIGNATOR R50) . . . . .	1		
7	206-075-222-001	.DECAL (MODIFIED: SIDETONE RESISTOR ADDED) . . . . .	1		
		USABLE ON CODES			
		CODE            MODEL            SERIAL NUMBER			
		A                206A			
		B                206B			
		C                206BIII			
		1) UNLESS A USABLE ON PART NUMBER IS LISTED IN THE ITEM NAME COLUMN; NO CODE INDICATES THE PART APPLIES TO ALL SERIAL NUMBERS.			
		2) IF THE SERIAL NUMBER IS BLANK THE PART APPLIES TO ALL SERIAL NUMBERS FOR THAT MODEL.			



206A/B/B3-97-1009  
C0000

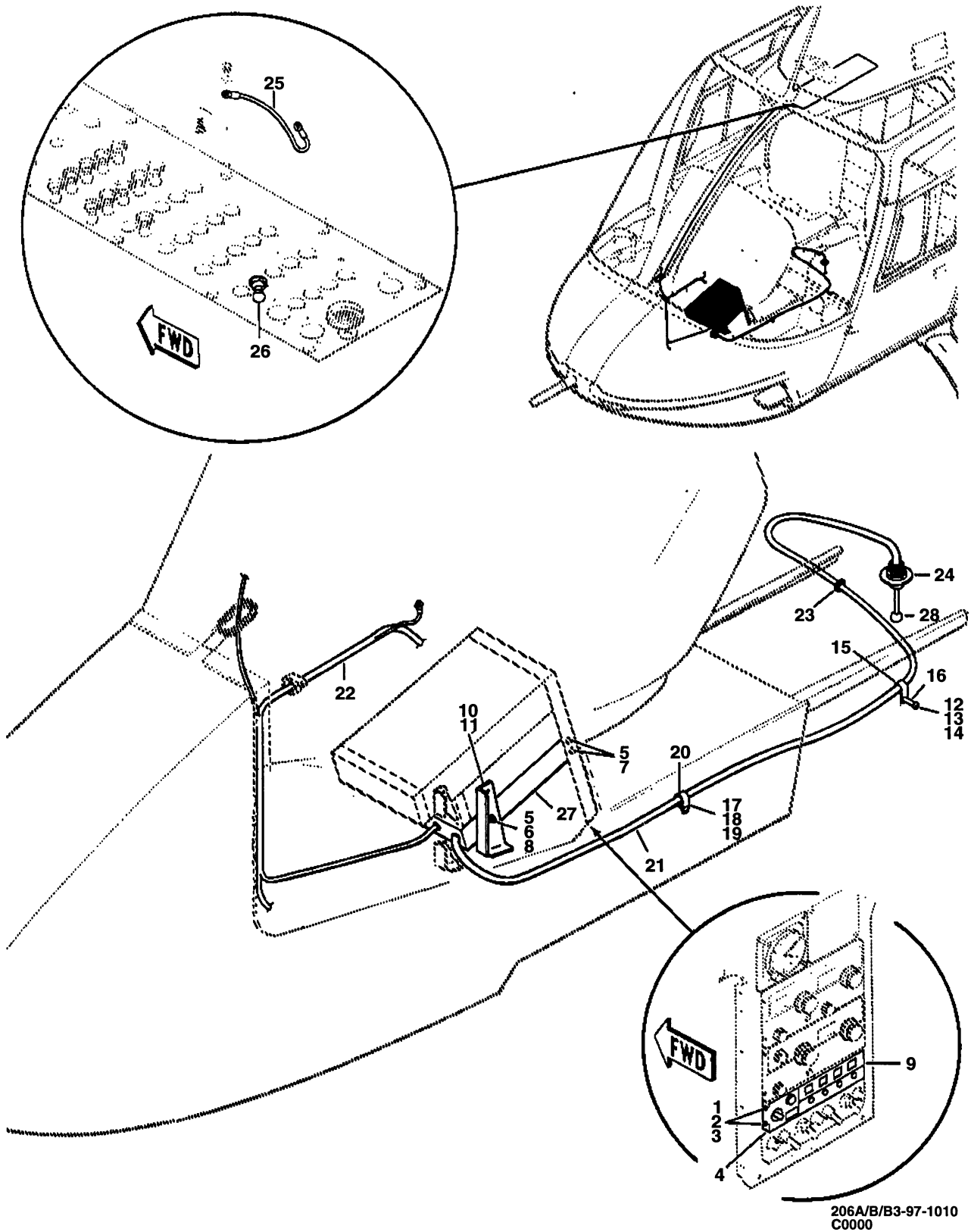
Figure 97-9. Provisions kit, KT-75R transponder (S/N 4 thru 2211)



(1) INDEX NUMBER	(2) PART NUMBER	(3) ITEM NAME	(4) UNIT PER ASSY	(5) A V A I L	(6) U O C
		<b>FIGURE: 97-9. Provisions kit, KT-75R transponder (S/N 4 thru 2211)</b>			
	206-706-326-035	PROVISIONS KIT, KT-75R TRANSPONDER . . . . .	1		A
1	MS21042L08	.NUT . . . . .	4		
2	AN960PD8L	.WASHER (REPLACED BY AN960JD8L) . . . . .	4		
2	AN960JD8L	.WASHER (REPLACES AN960PD8L) . . . . .	4		
3	MS35206-243	.SCREW . . . . .	4		
4	206-706-326-011	.ANGLE . . . . .	1		
5	206-706-326-009	.PLATE MOUNTING, MOUNTING . . . . .	1		
6	MS21042L06	.NUT . . . . .	2		
7	AN960PD6L	.WASHER (REPLACED BY AN960JD6L) . . . . .	2		
7	AN960JD6L	.WASHER (REPLACES AN960PD6L) . . . . .	2		
8	MS35214-27	.SCREW . . . . .	2		
9	206-075-596-003	.PLATE, MOUNTING . . . . .	1		
10	MS35489-13	.GROMMET . . . . .	1		
11	MS21042L3	.NUT . . . . .	1		
12	AN960PD10L	.WASHER (REPLACED BY AN960JD10L) . . . . .	1		
12	AN960JD10L	.WASHER (REPLACES AN960PD10L) . . . . .	1		
13	MS35207-267	.SCREW . . . . .	1		
14	MS25281R7	.CLAMP (REPLACED BY MS25281-R7) . . . . .	1		
14	MS25281-R7	.CLAMP (REPLACES MS25281R7) . . . . .	1		
15	NAS43DD3-32	.SPACER (REPLACED BY NAS43DD3-32N) . . . . .	1		
15	NAS43DD3-32N	.SPACER (REPLACES NAS43DD3-32) . . . . .	1		
16	MS21042L3	.NUT . . . . .	1		
17	AN960PD10L	.WASHER (REPLACED BY AN960JD10L) . . . . .	1		
17	AN960JD10L	.WASHER (REPLACES AN960PD10L) . . . . .	1		
18	MS35207-264	.SCREW . . . . .	1		
19	MS25281R7	.CLAMP (REPLACED BY MS25281-R7) . . . . .	1		
19	MS25281-R7	.CLAMP (REPLACES MS25281R7) . . . . .	1		
20	MS21042L3	.NUT . . . . .	3		
21	AN960PD10L	.WASHER (REPLACED BY AN960JD10L) . . . . .	3		
21	AN960JD10L	.WASHER (REPLACES AN960PD10L) . . . . .	3		
22	MS35207-265	.SCREW . . . . .	3		
23	MS25281R3	.CLAMP (REPLACED BY MS25281-R3) . . . . .	3		
23	MS25281-R3	.CLAMP (REPLACES MS25281R3) . . . . .	3		
24	NAS43DD3-16	.SPACER . . . . .	3		
25	206-075-594-003	.CABLE ASSY . . . . .	1		
26	30-092-5	.CONNECTOR (REFERENCE DESIGNATOR P99) . . . . .	1		
27	M39012/16-0004	.CONNECTOR (REPLACED BY M39012/16-0504) . . . . . (REFERENCE DESIGNATOR P97)	1		
27	M39012/16-0504	.CONNECTOR (REPLACES M39012/16-0004) . . . . . (REFERENCE DESIGNATOR P97)	1		
28	206-075-353-001	.DOUBLER . . . . .	1		
29	206-075-594-001	.CABLE ASSY . . . . .	1		
30	26-190-42	.CONNECTOR (REFERENCE DESIGNATOR P96) . . . . .	1		
31	26-190-24	.CONNECTOR (REFERENCE DESIGNATOR P95) . . . . .	1		
32	206-075-379-011	.CABLE ASSY . . . . .	1		
33	MS26574-1 1-2	.CIRCUIT BREAKER (REFERENCE DESIGNATOR CB12) . . . . .	1		
34	MS21042L08	.NUT . . . . .	6		
35	AN960PD8L	.WASHER (REPLACED BY AN960JD8L) . . . . .	6		
35	AN960JD8L	.WASHER (REPLACES AN960PD8L) . . . . .	6		



(1) INDEX NUMBER	(2) PART NUMBER	(3) ITEM NAME	(4) UNIT PER ASSY	(5) A V A I L	(6) U O C
		<b>FIGURE: 97-9. Provisions kit, KT-75R transponder (S/N 4 thru 2211) (Cont'd)</b>			
36	AN970-3	.WASHER . . . . .	6		
37	MS35206-244	.SCREW . . . . .	4		
38	MS35206-248	.SCREW . . . . .	2		
	206-706-326-037	KT-75R TRANSPONDER . . . . .	1		A
39	071-1038-03	.TRANSPONDER (REPLACED BY 071-1038-03/KFS75) . . . . . (REFERENCE DESIGNATOR KFS575)	1		
39	071-1038-03/KFS75	.TRANSPONDER (REPLACES 071-1038-03) (REFERENCE . . . DESIGNATOR KFS575)	1		
40	KA-28	.ANTENNA, TRANSPONDER . . . . .	1		
41	066-1020-03	.TRANSPONDER (REPLACED BY 066-1020-03/KT75R) . . . . .	1		
41	066-1020-03/KT75R	.TRANSPONDER (REPLACES 066-1020-03) . . . . .	1		
		USABLE ON CODES			
		CODE            MODEL            SERIAL NUMBER			
		A                206A/B			
		1) UNLESS A USABLE ON PART NUMBER IS LISTED IN THE ITEM NAME COLUMN; NO CODE INDICATES THE PART APPLIES TO ALL SERIAL NUMBERS.			
		2) IF THE SERIAL NUMBER IS BLANK THE PART APPLIES TO ALL SERIAL NUMBERS FOR THAT MODEL.			



206A/B/B3-97-1010  
C0000

Figure 97-10. Provisions kit, KT-76 transponder (S/N 661 thru 671, 716 and SUB)

(1) INDEX NUMBER	(2) PART NUMBER	(3) ITEM NAME	(4) UNIT PER ASSY	(5) A V A I L	(6) U O C
<b>FIGURE: 97-10. Provisions kit, KT-76 transponder (S/N 661 thru 671, 716 and SUB)</b>					
	206-706-326-049	KT-76 TRANSPONDER, PROVISIONS . . . . .	1		A
1	MS21042L08	.NUT . . . . .	4		
2	AN960PD8L	.WASHER (REPLACED BY AN960JD8L) . . . . .	4		
2	AN960JD8L	.WASHER (REPLACES AN960PD8L) . . . . .	4		
3	MS35206-243	.SCREW . . . . .	4		
4	206-075-293-013	.COVER . . . . .	1		
5	MS21042L06	.NUT . . . . .	6		
6	AN960D6L	.WASHER . . . . .	2		
7	MS24693-S28	.SCREW . . . . .	4		
8	MS35206-229	.SCREW . . . . .	2		
9	206-075-293-011	.COVER . . . . .	1		
10	206-075-292-001	.SUPPORT, LH (NOTE 1) . . . . .	1		
11	206-075-292-002	.SUPPORT, RH (NOTE 1) . . . . .	1		
12	MS21042L3	.NUT . . . . .	1		
13	AN960PD10L	.WASHER (REPLACED BY AN960JD10L) . . . . .	1		
13	AN960JD10L	.WASHER (REPLACES AN960PD10L) . . . . .	1		
14	MS35207-267	.SCREW . . . . .	1		
15	MS25281-R7	.CLAMP . . . . .	1		
16	NAS43DD3-32	.SPACER (REPLACED BY NAS43DD3-32N) . . . . .	1		
16	NAS43DD3-32N	.SPACER (REPLACES NAS43DD3-32) . . . . .	1		
17	MS21042L3	.NUT . . . . .	1		
18	AN960PD10L	.WASHER (REPLACED BY AN960JD10L) . . . . .	1		
18	AN960JD10L	.WASHER (REPLACES AN960PD10L) . . . . .	1		
19	MS35207-264	.SCREW . . . . .	1		
20	MS25281-R7	.CLAMP . . . . .	1		
21	206-075-594-007	.CABLE ASSY . . . . .	1		
22	206-075-594-005	.CABLE ASSY . . . . .	1		
23	MS35489-13	.GROMMET . . . . .	1		
24	206-075-353-009	.DOUBLER . . . . .	1		
25	206-075-379-011	.CABLE ASSY . . . . .	1		
26	MS26574-1-1-2	.CIRCUIT BREAKER (REFERENCE DESIGNATOR CB12) . . . . .	1		
	206-706-326-051	KT-76 TRANSPONDER . . . . .	1		A
	KT-76-01	.TRANSPONDER SYSTEM . . . . .	1		
27	066-1034-01	.TRANSPONDER (REPLACED BY 066-1034-16) . . . . .	1		
27	066-1034-16	.TRANSPONDER (REPLACES 066-1034-01) . . . . .	1		
28	KA-48	.ANTENNA, TRANSPONDER . . . . .	1		
NOTE 1: WHEN BOTH 206-706-326-045 AND -049 KITS ARE INSTALLED ONLY ONE EACH 206-075-292-001 AND -002 ARE REQUIRED.					

(1) INDEX NUMBER	(2) PART NUMBER	(3) ITEM NAME	(4) UNIT PER ASSY	(5) A V A I L	(6) U O C						
		<p><b>FIGURE: 97-10. Provisions kit, KT-76 transponder (S/N 661 thru 671, 716 and SUB) (Cont'd)</b></p> <p style="text-align: center;">USABLE ON CODES</p> <table border="0" style="margin-left: auto; margin-right: auto;"> <tr> <td style="padding-right: 20px;">CODE</td> <td style="padding-right: 20px;">MODEL</td> <td>SERIAL NUMBER</td> </tr> <tr> <td>A</td> <td>206B/BIII</td> <td></td> </tr> </table> <p>1) UNLESS A USABLE ON PART NUMBER IS LISTED IN THE ITEM NAME COLUMN; NO CODE INDICATES THE PART APPLIES TO ALL SERIAL NUMBERS.</p> <p>2) IF THE SERIAL NUMBER IS BLANK THE PART APPLIES TO ALL SERIAL NUMBERS FOR THAT MODEL.</p>	CODE	MODEL	SERIAL NUMBER	A	206B/BIII				
CODE	MODEL	SERIAL NUMBER									
A	206B/BIII										