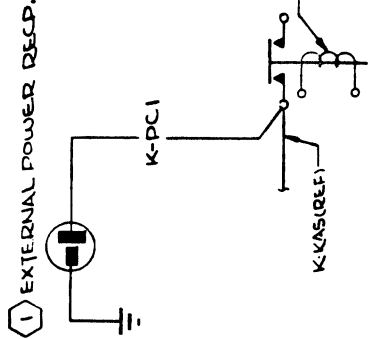


CWG LE	REVISION	BY DATE	CHK APP



INACTIVE:
EFF SER 337-000/
THRU 337-0525

WDA 1-5-66 *HTM* 1-6-66
REJ 1-7-66
WT 1-8-66
WT 1-13-66

WIRE NO	GA	MATERIAL	LG	TERMINALS	SERIALS
K-PC1 4				30 31 32 33 34 35 36 37 38 39 40	

CESSNA AIRCRAFT CO COMMERCIAL AIRCRAFT DIVISION WICHITA KANSAS

WIRE TABLE

NAME: *UNDESIGNATED* DATE: *1-18-64* FILE: *1570000*

DRAWN: *UNDESIGNATED* CHECK: *UNDESIGNATED*

PROJ: *17-11-64* REVISION: *1-18-64*

SUPERVISOR: *UNDESIGNATED* MODEL: *337*

WIRING DIAGRAM—
EXTERNAL POWER RECEPTACLE (OPTIONAL)

CESSNA. PART NO: **1570000** REV: **4.3**

1	AN2552-3A	RECEPTACLE	INSTALLED ON
	PART NO	DESCRIPTION	INSTALLED ON

EQUIPMENT TABLE