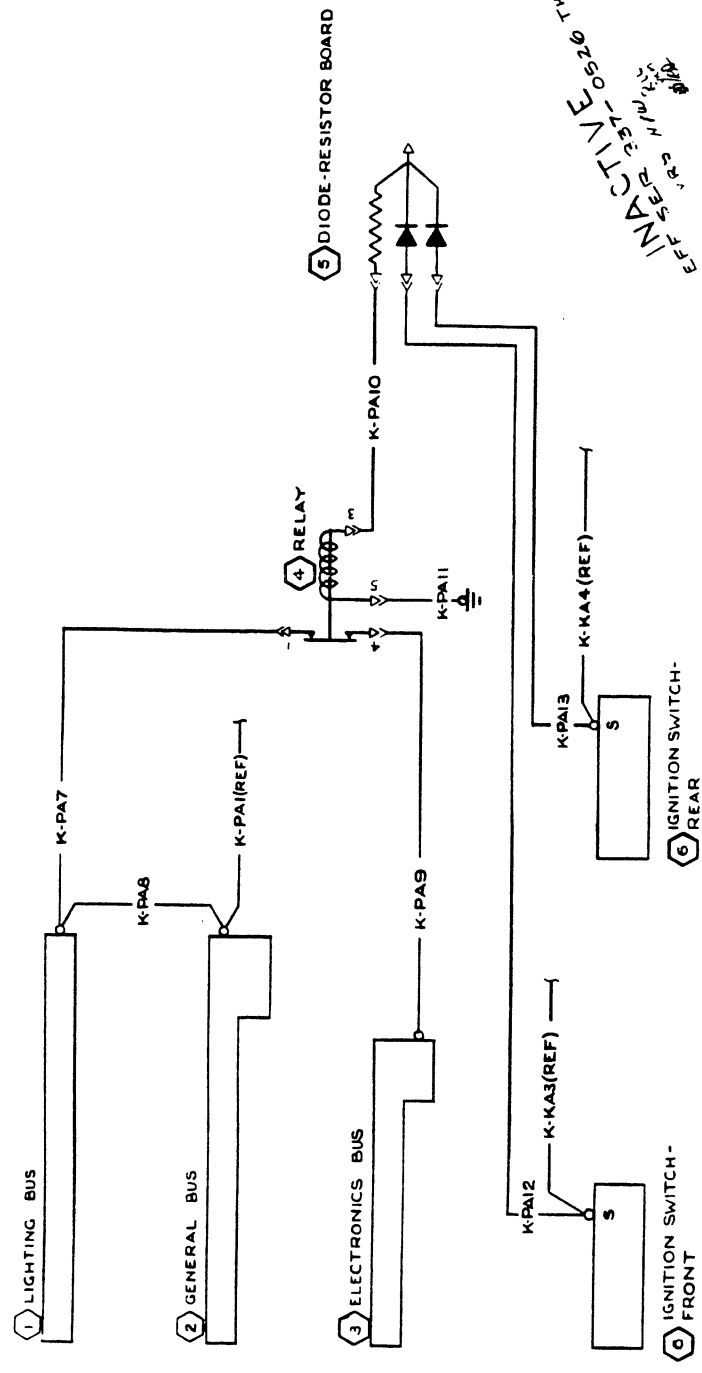


REV	DATE	BY	COM



WIRE NO.	WIRE	TERMINALS
K PA13	20	S-13671-6 S-1493-1
K PA12	20	S-13671-6 S-1493-1
K PA11	20	S-1493-1 S-13671-6
K PA10	20	S-1493-1 S-1493-1
K PA9	14	S-13672-6 S-1493-2
K PA8	6	S-13674-6 S-13674-6
K PA7	14	S-13672-6 S-1493-2

NAME	DATE	FILE

CESSNA AIRCRAFT CO. COMMERCIAL AIRCRAFT DIVISION, WICHITA, KANSAS

WIRING DIAGRAM - SPLIT BUS BAR

Part No. 1570000

REV. 4.4

PART NO.	DESCRIPTION	QUANTITY	NOTES
6	IGNITION SWITCH - REAR	1	1513611
5	DIODE-RESISTOR BOARD	1	1570006
4	RELAY	1	1570006
3	ELECTRONICS BUS BAR	1	1570007
2	GENERAL BUS BAR	1	1570007
1	LIGHTING BUS BAR	1	1570007