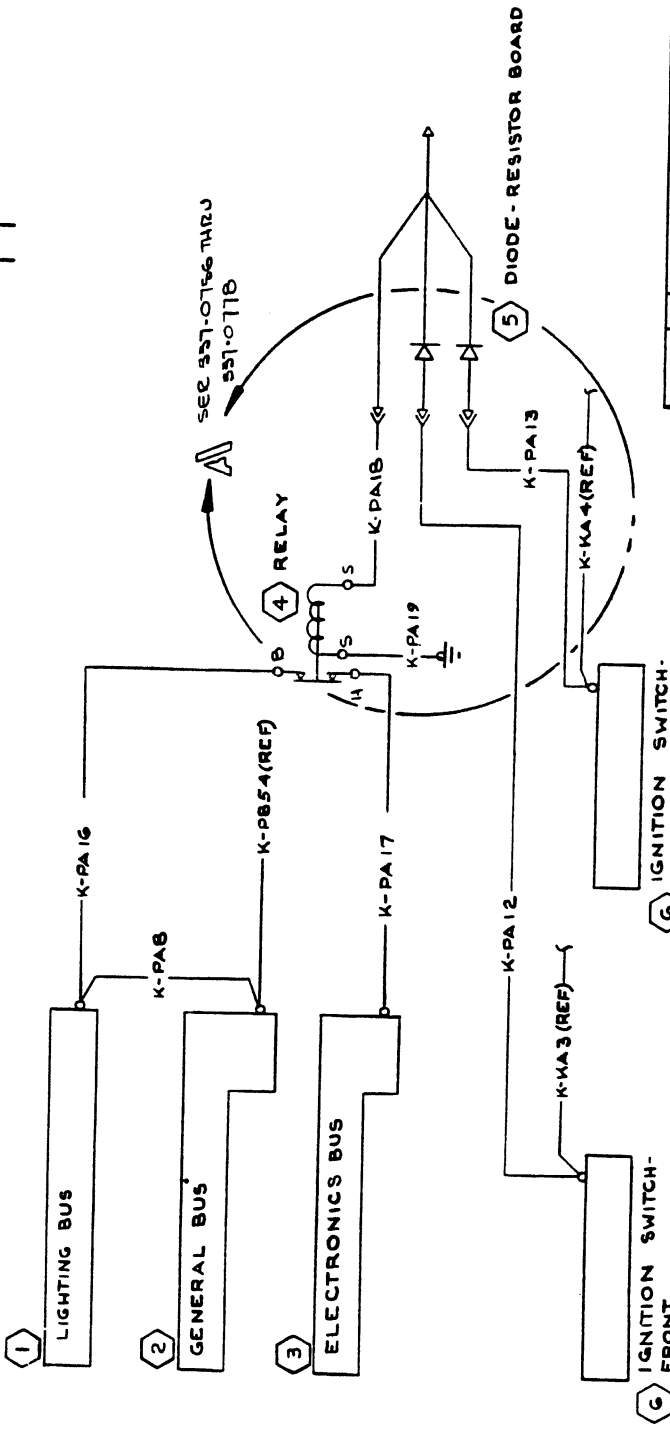


LET	REVISION DESCRIPTION	DATE	APPD



INACTIVE:
EFF SER 557-0756
THRU (SR 6035)
SEM ED 4RR 10S10A

WIRE CODE NO.	GA	MATERIAL	LG	TERMINALS	SERIALS
K-PA19	20	S-1367-1-6	S-1367-1-6		
K-PA18	20	S-1367-1-6	S-1367-1-6		
K-PA17	14	S-1367-2-6	S-1367-2-6		
K-PA16	14	S-1367-2-6	S-1367-2-6		
K-PA13	20	S-1367-1-6	S-1367-1-6		
K-PA12	20	S-1367-1-6	S-1367-1-6		
K-PA8	8	S-1367-4-4	S-1367-4-4		

CONTRACT NO.		NAME	DATE
1570007		W. W. L.	10-31-67
DESIGN	SIPES VR	ID	SIC
1570009-3	1570008	10-31-67	
DRAWN	SIPES VR	ID	SIC
W. W. L.	1570007	10-31-67	
CHECK	SIPES VR	ID	SIC
W. W. L.	1570007	10-31-67	
STRESS	SIPES VR	ID	SIC
W. W. L.	1570007	10-31-67	
PROJECT	APPROVED	DATE	
1570007	W. W. L.	10-31-67	

EQUIPMENT TABLE	
7	F-4
6	DIODE (64510)
5	IGNITION SWITCH 1570008
4	DIODE-RES BOARD 1570008
3	RELAY (6035) 1570008
2	ELECTRONIC BUS 1570007
1	GENERAL BUS BAR 1570007
USED ON	
1570007	

CES-1000 IS APPLICABLE
VENDOR CODES PER S-1400
SER-XXXX-CESNA SPEC. NO.
S-XXX OR CHXXXX-CESNA
STD. NO.

SUPERSEDES:
1570000 PAGE 4.4

SUPERSEDED BY:
1570000 PAGE 4.10

COMMERCIAL AIRCRAFT DIV.
8800 E. PAWNEE
WICHITA, KANSAS

Cessna AIRCRAFT CO.

TITLE
WIRING DIAGRAM --
SPLIT BUS
BAR

CODE IDENT. NO. C 71379

DWG NO. 1570000

SCALE: NONE

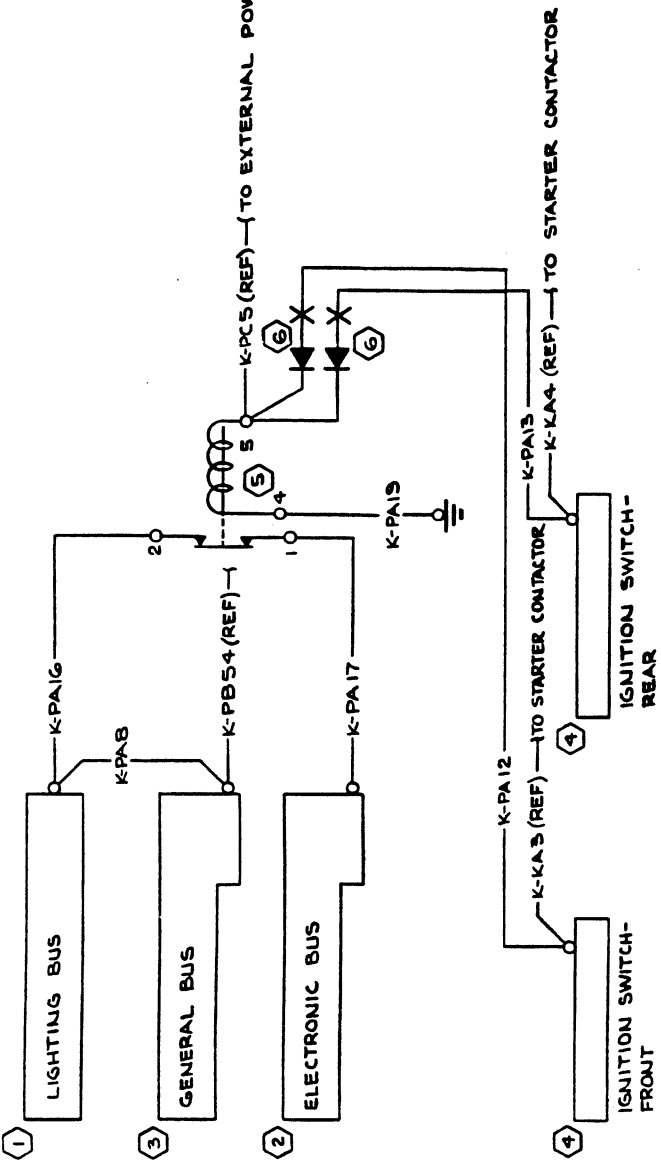
FIG. 4.10



REVISION		
LET	DESCRIPTION	DATE
A	BY REV: S-1637-4-6/K-PAS WAS S-1637-4-6; EDGEZ 05022 NON SHOP PRACTICE	DLP 1-21-70

INACTIVE: 0119 ANN D
 330146RRU
 SER 330146RRU
 EFF 33001
 THRU 30055
 F33700055
 F33710

TO EXTERNAL POWER SOURCE



WIRE CODE	NO	GA	MATERIAL	LG	TERMINALS	SERIALS
K-PA19	20		S-1493-1	S-1367-1-8		
K-PA17	14		S-1493-2	S-1362-2-8		
K-PA16	14		S-1493-2	S-1362-2-8		
K-PA13	20		S-1367-1-6	S-1370-1		
K-PA12	20		S-1367-1-6	S-1370-1		
K-PA8	8		S-1367-4-8	S-1367-4-8		

DIODE RELAY	
6 F-4	(84970)
5 S-1917-2	
4 S-1906-1	
3 1570009-5	GENERAL BUS BAR
2 1570009-3	ELECTRONIC BUS
1 1570009-1	LIGHTING BUS BAR

EQUIPMENT TABLE	
PART NO.	DESCRIPTION

SUPERSEDES:	
CES-1000	IS APPLICABLE
VENDOR CODES PER S-1400	1570000 PAGE 4.10
CES-XXXX-CESNA	SPEC. NO.
S-XXX OR CXXXX-CESNA	SUPERSEDED BY:
STD. NO.	

WIRE TABLE	
CONTRACT NO.	
NAME	
DATE	
DESIGN	
GROUP	
DRAWN	
CHECK	
STRESS	
PROJ	
APPD	
OTHER	

TITLE	
Cesna Aircraft Co.	COMMERCIAL AIRCRAFT DIV.
	5800 E. PAWNEE
	WICHITA, KANSAS
WIRING DIAGRAM --	
SPLIT BUS	
BAR	

SIZE	CODE IDENT.	DWG NO
C	71379	1570000

SCALE	PAGE
NONE	337