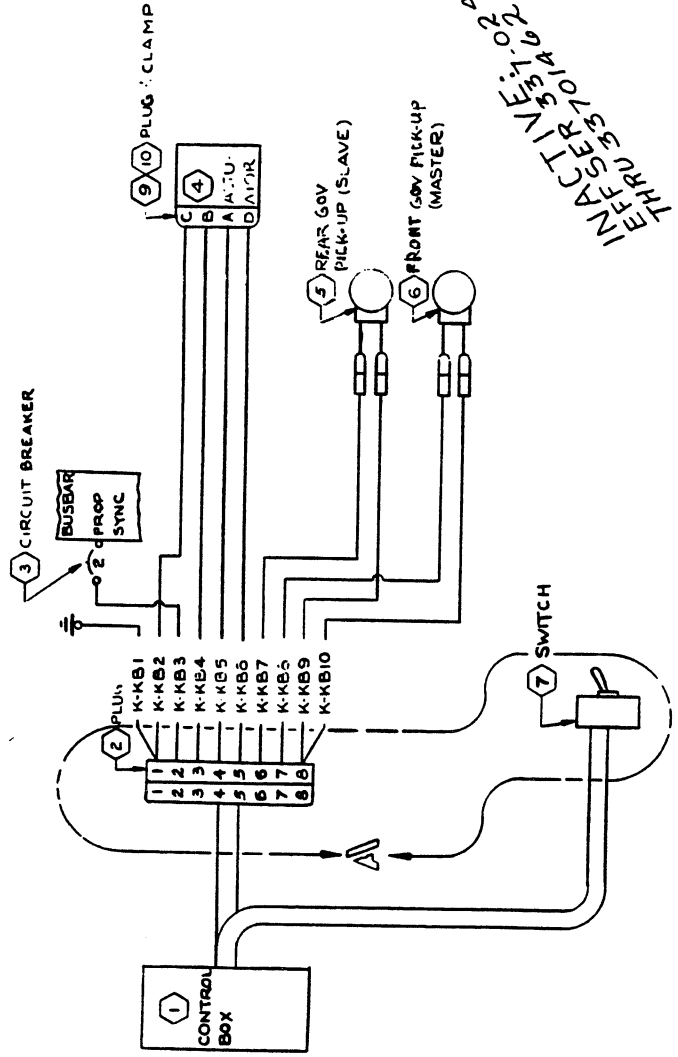
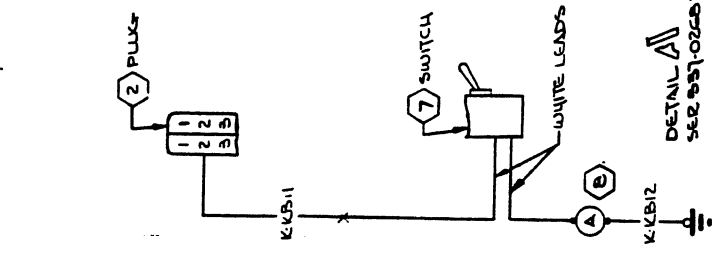


(SR-4570)

CHG	REV	BY	DATE	APP
A	1	WCH	10/11/55	WCH
B	2	WCH	10/16/55	WCH



DETAIL A
SER 357-0250 THRU 357-0369

WIRE	CODE NO.	GA	MATERIAL	LG	TERMINALS	REMARKS
K-KB12	20					
K-KB11						
K-KB10						
K-KB9						
K-KB8						
K-KB7						
K-KB6						
K-KB5						
K-KB4						
K-KB3						
K-KB2						
K-KB1	20					

WIRE TABLE

NAME	DATE	FILE
WCH	10/11/55	
WCH	10/16/55	
WCH	10/16/55	
WCH	10/16/55	

CESSNA AIRCRAFT CO. COMMERCIAL AIRCRAFT DIVISION WICHITA, KANSAS

WIRING DIAGRAM—
PROPELLER
SYNCHRONIZER
(OPTIONAL)

1570000

REV: B PART: 6.2

PART NO.	DESCRIPTION	INSTALLED ON
10 203233	CLAMP (MGV)	1550018
9 235062	PLUG (MGV)	1550018
8 AB-62	INDICATOR LITE	1550017
7 MST-405N	SWITCH (AELM)	1550017
6 E13127	PICK-UP (MGV)	1550017
5 E13127	PICK-UP (MGV)	1550017
4 080055-7	ACTUATOR	1550017
3 S-1360-2A	CIRCUIT BREAKER	1550017
2 233032	PLUG (MGV)	1550018
1 0860428-12	CONTROL BOX	1550017

EQUIPMENT TABLE

NOTE: VENDOR FURNISHED WITH PICK-UP