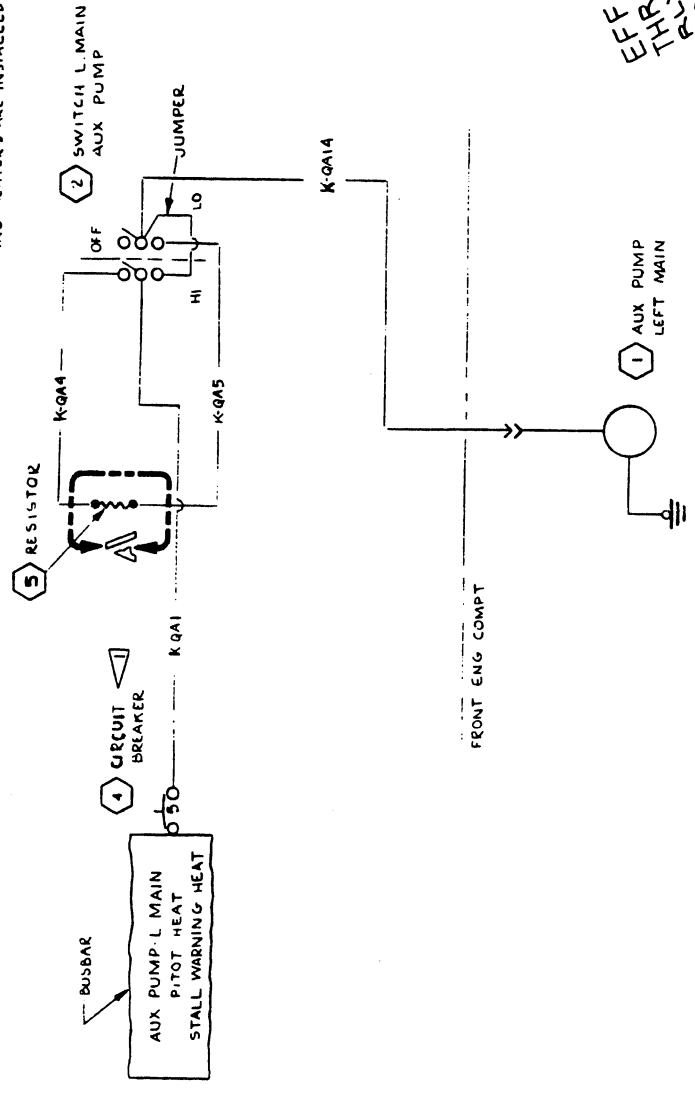
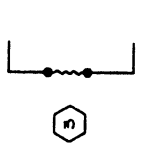


CHG LEFT	REVISION	BY	DATE	CHKD	DATE
A	BY REV: ADD DETAIL "A" & AR-25-20 ED & RD. OOHIO		1-6-57		

NOTES
 1 USE 10 AMP CKT BKR IN PLACE OF 5 AMP CKT BKR WHEN OPTIONAL PITOT-STALL WARNING HEATERS ARE INSTALLED



INACTIVE: 6
 SER T-37-0526
 SER 13-10978
 EFF SER 88
 THRU SER 0850
 FOR SER 0851
 FOR SER 0852
 FOR SER 0853
 FOR SER 0854
 FOR SER 0855



DETAIL A
 THRU SER 857-0792

WIRE CODE NO.	GA	MATERIAL	LG	TERMINALS	SERIALS
KQA14	18	5-1367-1-6	5-341-2		
KQA5	18	270 SOLDER	5-1367-1-6		337-0569 & ON
KQA4	18	270 SOLDER	5-1367-1-6		
KQA1	18	268 SOLDER	5-1367-1-6		

WIRE TABLE	
NAME	FILE
DATE	
DESIGNED BY	
CHECKED BY	
DATE	
APPROVED BY	
DATE	

EQUIPMENT TABLE		
PART NO	DESCRIPTION	INSTALLED ON
5	RESISTOR (S490)	1510001
4	CIRCUIT BKR	1570007
3	RESISTOR (R17A)	1510001
2	SWITCH	1513671
1	AUX PUMP	1528000

CESSNA AIRCRAFT CO. COMMERCIAL AIRCRAFT DIVISION WICHITA KANSAS	
WIRING DIAGRAM -	
AUXILIARY FUEL	
PUMP LEFT MAIN	
T337	
MODEL: T337	REV: 7.1.2
SUPPLIER:	
INSTALLED BY:	
DATE:	
SERIALS:	1570000



FORM NO. 1-57