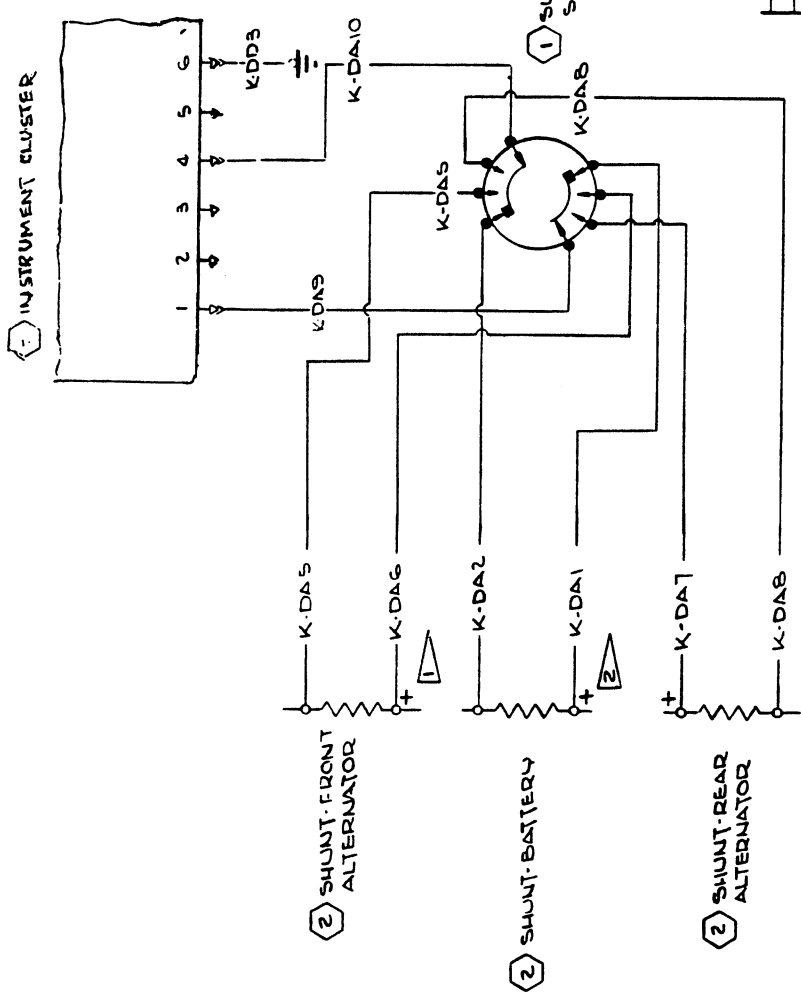


CHG LET	REVISION	CHK APPD



- NOTES:
- 1 THE "PLUS" TERMINAL ON THE ALTERNATOR SHUNTS IS THE TERMINAL AT THE ALTERNATOR SIDE OF THE SHUNT.
 - 2 THE "PLUS" TERMINAL OF THE BATTERY SHUNT IS THE TERMINAL AT THE BUSBAR SIDE OF THE SHUNT.
 - 3 THE LENGTH OF THE AMMETER LEADS FROM EACH SHUNT TO THE SELECTOR SWITCH & FROM THE SELECTOR SWITCH TO THE AMMETER SHALL HAVE A COMBINED LENGTH OF 71 INCHES.

INACTIVE
 1.5F SER 337-0240 THRU 337-0625
 11/17/66
 11/19/66

TERMINALS	LC	MATERIAL	UA	LG	SERIALS
K-DA5 2C	375	1493-1	513611B		
K-DA10 1B	1	51493-1	SOLDER		
1	1	51493-1	SOLDER		
2	1	51493-1	SOLDER		
3	1	51493-1	SOLDER		
4	1	51493-1	SOLDER		
5	1	51493-1	SOLDER		
6	1	51493-1	SOLDER		
K-DA1 1B	1	51493-1	SOLDER		
K-DA2 1B	1	51493-1	SOLDER		
K-DA7 1B	1	51493-1	SOLDER		

WIRE TABLE

CESSNA AIRCRAFT CO. COMMERCIAL AIRCRAFT DIVISION WICHITA KANSAS

DATE: 11/17/66
 DRAWN: HARDEN
 CHECK: [Signature]
 PROJ: 1570000

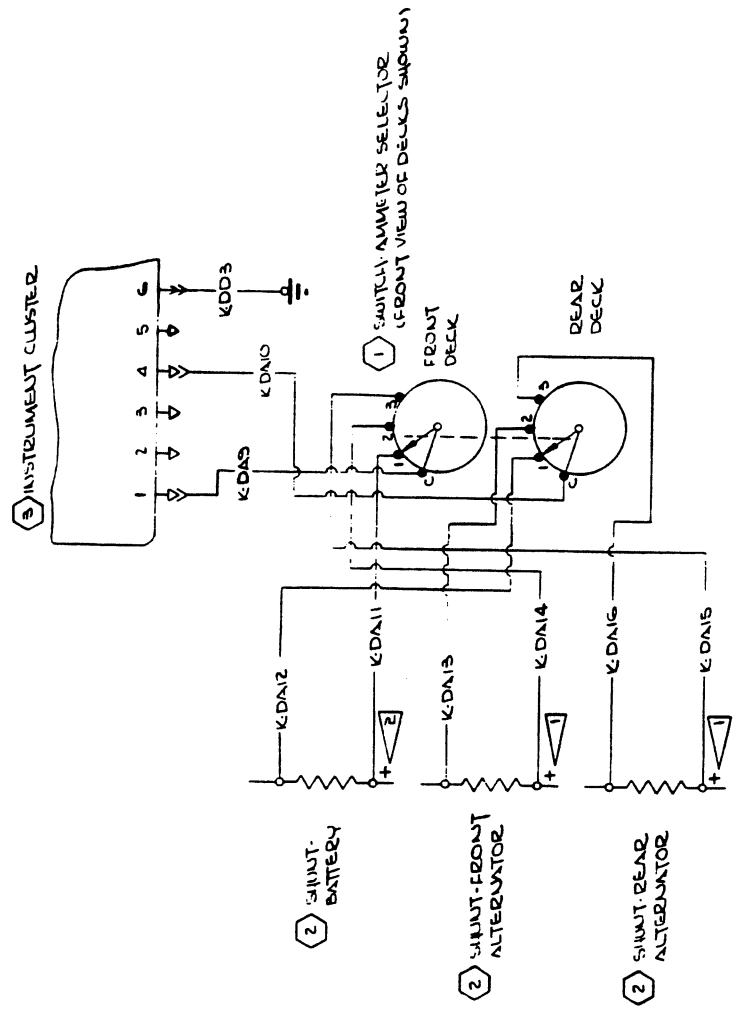
WIRING DIAGRAM —
**VOLTMETER AND
 AMMETER**

REV: 1570000
 PAGE 10.6

PART NO	DESCRIPTION	INSTALLED ON
3	CESSNA 001 INSTR CLUSTER	1513655
2	B13483 SHUNT (SW)	1516601
1	PA1003 SWITCH (CUT)	1513655

EQUIPMENT TABLE

CHG LET	REVISION	BY	CHK
A	WIRE TABLE: 5-1567-12 WAS	WJMM	WJMM
B	BY REV: 1570046-1 WAS B13483 & INACTIVATE DWG (EDARR 01353)	RLY	WJMM



- NOTES:
- 1 THE "PLUS" TERMINAL ON THE ALTERNATOR SHUNTS IS THE TERMINAL AT THE ALTERNATOR SIDE OF THE SHUNT.
 - 2 THE "PLUS" TERMINAL OF THE BATTERY SHUNT IS THE TERMINAL AT THE BATTERY SIDE OF THE SHUNT.
 - 3 THE LENGTH OF THE AMMETER LEADS FROM EACH SHUNT TO THE SELECTOR SWITCH & FROM THE SELECTOR SWITCH TO THE AMMETER SHALL HAVE A COMBINED LENGTH OF 6-8 INCHES.

INACTIVE: REF SER 37-0-228
 37-0-228
 37-0-228
 37-0-228

CODE NO	GA	MATERIAL	LG	TERMINALS	SERIALS
KDAS 22		5051493-1		SOLDER	
KDA12		5051493-1		SOLDER	
KDA11		5051493-1		SOLDER	
KDA13		5051493-1		SOLDER	
KDA14		5051493-1		SOLDER	
KDA16		5051493-1		SOLDER	

CESSNA AIRCRAFT CO. COMMERCIAL AIRCRAFT DIVISION WICHITA, KANSAS	
DATE	11/17/66
GROUP	17
CHECK	J.C. E. B. G.
PROJ	1570046-1
SUPERSEDED BY	1570000
REV B	1570000
MODEL	337B
PAGE	10 of 11

PART NO	DESCRIPTION	INSTALLED ON
1570046-1	INSTRUMENT CLUSTER	1570001
1570046-1	SHUNT (SW)	1570001
5002-5	SWITCH (GRNY)	1570001

EQUIPMENT TABLE

WIRING DIAGRAM—
VOLT METER AND
AMMETER



1570000