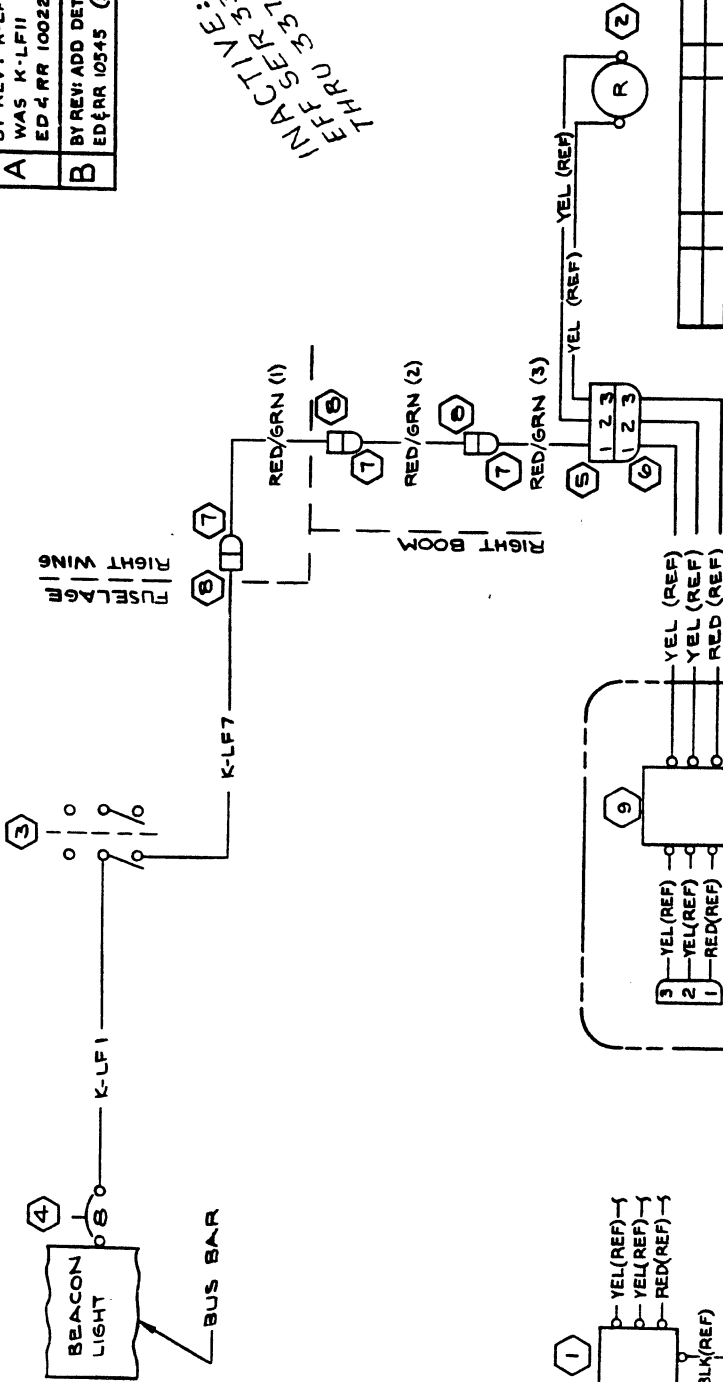


LET	REVISION	DESCRIPTION	DATE	APPD
A	BY REV: K-LFI WAS K-LF10, K-LF7 WAS K-LFI1 ED 4 RR 10022 (SR5441) IX		FBI 8-7-68	WAS
B	BY REV: ADD DETAIL A & C594501-0204 ED 4 RR 0545 (SR 6264)		P6P 7-23-60	WAS

INACTIVE: 09719
 EFF SER 3710142
 THRU 3710142



DETAIL A
 THRU SER(SR 6264)

QTY	PART NO.	DESCRIPTION
9	C594501-0204	FLASHER ASSY
8	S-1637-2	HOUSING - PLUG
7	S-1637-1	HOUSING - CAP
6	S-1638-2	HOUSING - CAP
5	S-1638-1	HOUSING - PLUG
4	S-1360-B	CIRCUIT BKR
3	S-1846-2-1	SWITCH
2	C621001-0102	LIGHT ASSY
1	C594501-0202	FLASHER ASSY

EQUIPMENT TABLE	
QTY	DESCRIPTION
1	FLASHER ASSY

CES1000 IS APPLICABLE
 VENDOR CODES PER S1400
 CES-1111-CESNA SPEC. NO.
 S-1111 OR CHXXXXX-CESNA
 STD. NO.

WIRE CODE NO.	GA	MATERIAL	LG	TERMINALS	SERIALS
RED/GRN(1)	20	S-1035-1	S-1636-1		
RED/GRN(2)	20	S-1035-1	S-1636-1		
RED/GRN(3)	20	S-1035-1	S-1636-1		
K-LF1	20	S-1493-1	S-1636-1		
K-LF1	20	S-1493-1	S-1636-1		

NAME	DATE
WAS	5-15-68
WAS	5-27-68
WAS	5-28-68
WAS	5-28-68

CONTRACT NO.	DESIGN	GROUP	DRAWN	CHECK	STRESS	PROJECT	APPD
	WAS	WAS	WAS	WAS	WAS	WAS	WAS

SIZE	CODE IDENT.	OWG NO.
C	71379	1570000

SCALE: NONE
 ED 4 RR 01630 (SER 337-0979) (OM)

COMMERCIAL AIRCRAFT DIV.
 8800 E. PAWNEE
 WICHITA, KANSAS

CESNA AIRCRAFT CO.
 TITLE
 WIRING DIAGRAM -
 FLASHING BEACON LIGHT

FORM NO. 84-1114
 18-89