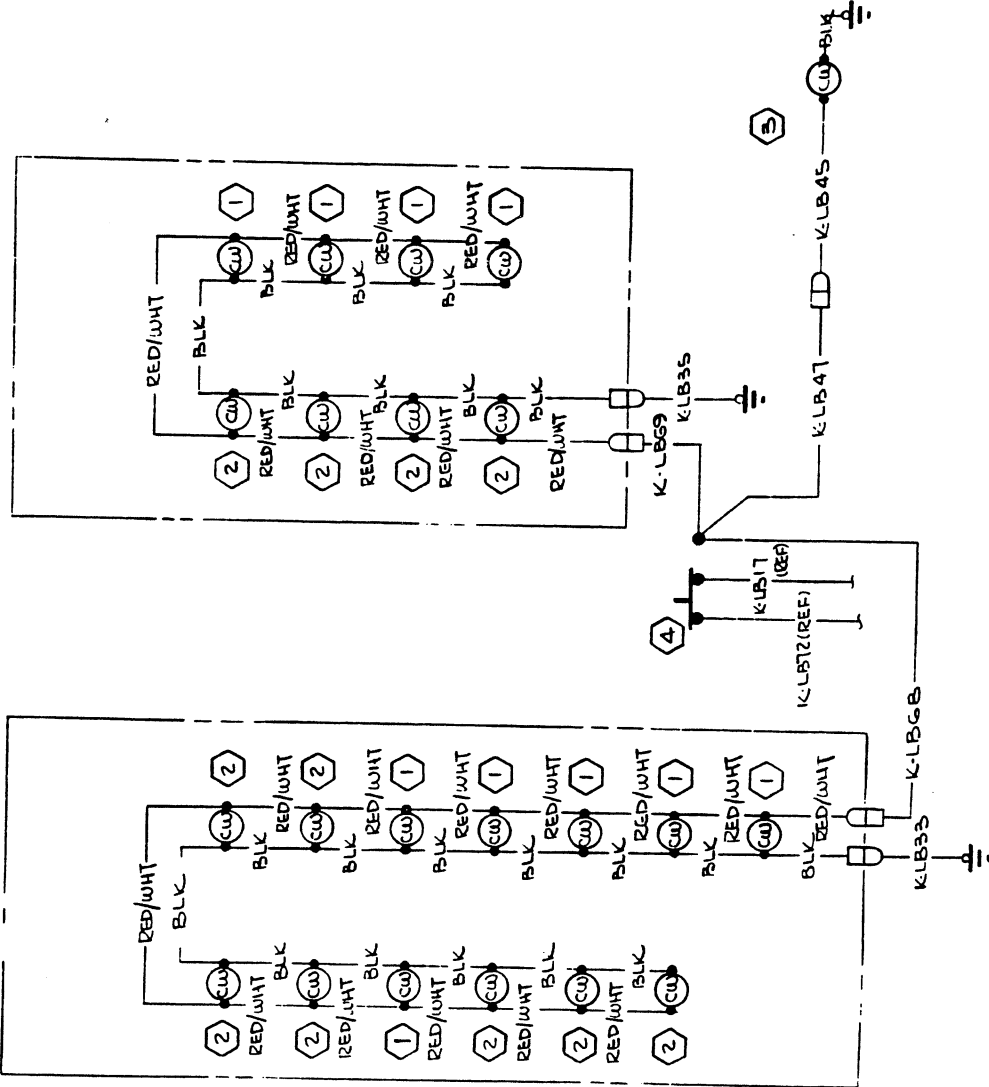


REV	DESCRIPTION	DATE	APPD

INACTIVE: 2710130 AND
 THROUGH APR 21 1953
 THROUGH 00341 THRU
 0331
 00035



WIRE CODE NO	GA	MATERIAL	LG	TERMINALS	SERIALS

CONTRACT NO. **Cessna AIRCRAFT CO.** COMMERCIAL AIRCRAFT DIV. 8800 E. WICHITA, KANSAS

TITLE: **WIRING DIAGRAM -- INSTRUMENT POST LIGHTING (OPTIONAL)**

DESIGN	NAME	DATE
HARDEN	HARDEN	1-15-71
DRAWN	NAME	DATE
BY <i>[Signature]</i>	HARDEN	1-15-71
CHECK	NAME	DATE
L.V. WHITE	L.V. WHITE	1-18-71
STRESS	NAME	DATE
PROJ	NAME	DATE
APPD	NAME	DATE
OTHER	NAME	DATE

SIZE: **C** CODE IDENT: **71379** DWG NO: **1570000**

SCALE: **NO. 337** PAGE: **11.12.3**

PART NO.	DESCRIPTION
EQUIPMENT TABLE	
SUPERSEDES	
PG 11.12.1	
SUPERSEDED BY:	

CES-1000 IS APPLICABLE
 VENDOR CODES PER S-1400
 CES-XXXX-CESNA SPEC. NO.
 S-XXX OR CMAXX-CESNA
 STD. NO.

FORM NO 80 2158