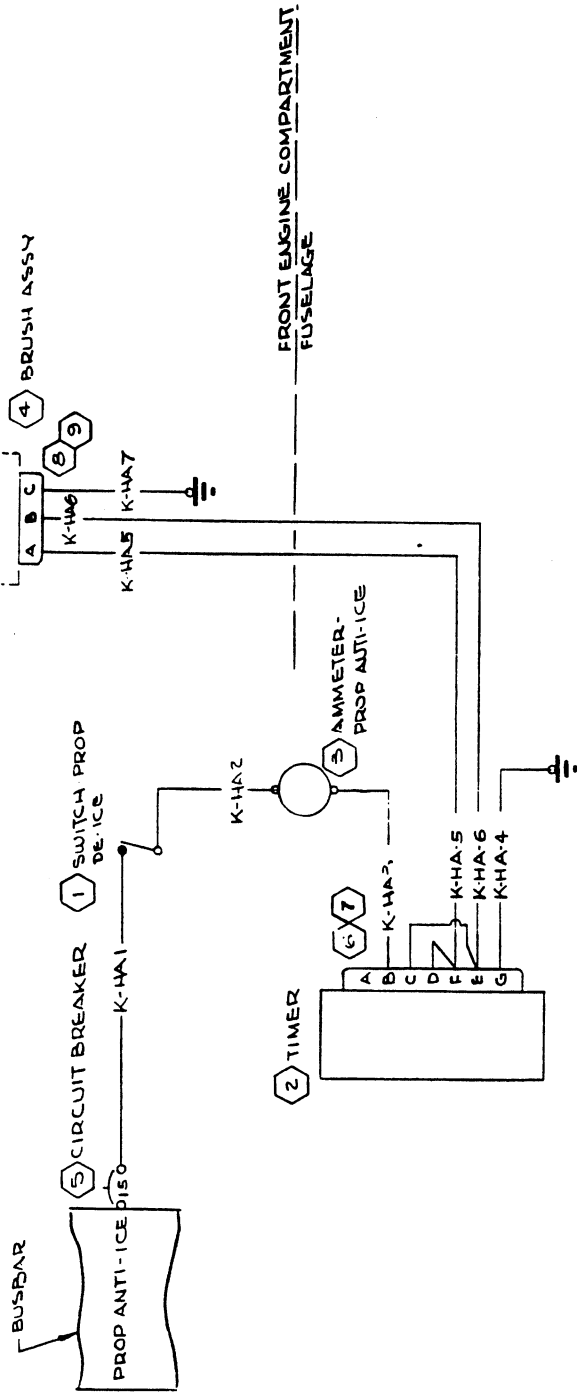


CHG DATE	REVISION	BY DATE	CHKD DATE

FRONT PROP (SER 337-0194 FON)



INACTIVE: SER 337-0194
 THRU SER 337-0194
 EFF SER 337-0194
 MADE BY
 THRU SER 337-0194
 EFF SER 337-0194

QTY	PART NO	DESCRIPTION	INSTALLED ON
9	MS3057-4A	CLAMP	1557405
8	MS3106A05L35	PLUG	
7	MS3057-12A	CLAMP	
6	MS3106A 20-1FS	PLUG	
5	S-1360-15	CIRCUIT BKR	
4	1557405-6	BRUSH HOLDER	
3	CM2631-1	AMMETER	
2	OB10152-19	TIMER	
1	S1160-1-1	SWITCH	1557405

WIRE CODE NO	GA	MATERIAL	LG	TERMINALS	SERIALS
K-HA1	16	SOLDER	FR56726		
	5	SOLDER	FR56726		
	5	SOLDER	FR56726		
	4	SOLDER	FR56726		
	3	SOLDER	FR56726		
	2	SOLDER	FR56726		
K-HA1	16	SOLDER	FR56726		
	5	SOLDER	FR56726		
	5	SOLDER	FR56726		
	4	SOLDER	FR56726		

NAME	DATE	TITLE
DESIGNED BY	7/16/65	WIRING DIAGRAM - PROP ANTI-ICE SYSTEM
DRAWN BY	7/16/65	
CHECKED BY	8/12/65	
PROJ. NO.	337-0194	
APPROVED BY		

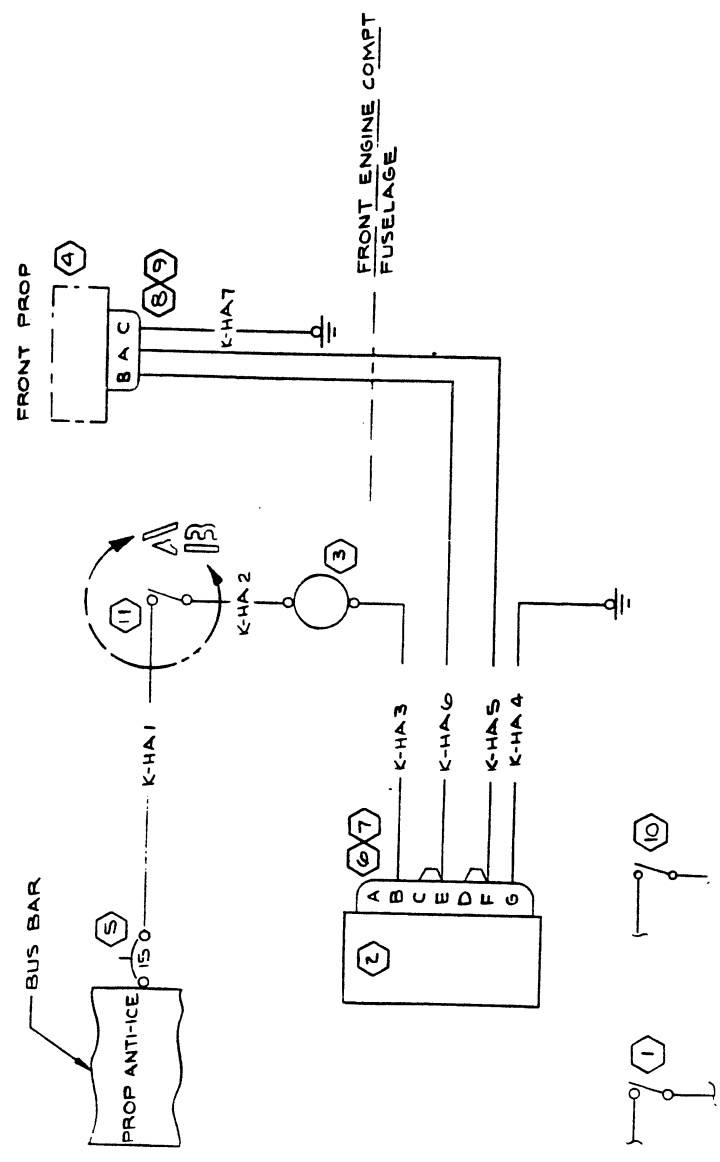
WIRE CODE NO	GA	MATERIAL	LG	TERMINALS	SERIALS
K-HA1	16	SOLDER	FR56726		
	5	SOLDER	FR56726		
	5	SOLDER	FR56726		
	4	SOLDER	FR56726		
	3	SOLDER	FR56726		
	2	SOLDER	FR56726		
K-HA1	16	SOLDER	FR56726		
	5	SOLDER	FR56726		
	5	SOLDER	FR56726		
	4	SOLDER	FR56726		

WIRE CODE NO	GA	MATERIAL	LG	TERMINALS	SERIALS
K-HA1	16	SOLDER	FR56726		
	5	SOLDER	FR56726		
	5	SOLDER	FR56726		
	4	SOLDER	FR56726		
	3	SOLDER	FR56726		
	2	SOLDER	FR56726		
K-HA1	16	SOLDER	FR56726		
	5	SOLDER	FR56726		
	5	SOLDER	FR56726		
	4	SOLDER	FR56726		

CESSNA AIRCRAFT CO COMMERCIAL AIRCRAFT DIVISION WICHITA KANSAS
 WIRING DIAGRAM - PROP ANTI-ICE SYSTEM (OPTIONAL)
 MODEL 337
 REV 13.4.1
 SUPERSEDES 13.4
 PART 13.4
 REV 13.4
 Cessna.
 QMS NO 1570000
 REV 13.4

LET	REVISION	DESCRIPTION	DATE	APPRO
A	BY REV: K-HAI WAS K-HA10, K-HA2 ED GRR 10022 (SR5441) IX		RBI 8-7-68 WAV	WAV 8-7-68 WAV
B	BY REV: ADD S-1B45-1-2, DETAIL A ED IRR 10494 (SR6033) IX		JEL 8-15-69 WAV	WAV 8-15-69 WAV
C	BY REV: ADD S-1B46-2-3 SWITCH & DETAIL B (SR6773) REF		WAV 7-12-72	WAV 7-12-72

INACTIVE
EFF SER 337-0979
THRU 33701462



DETAIL A
THRU SER (SR6033)
(33701193)

DETAIL B
THRU SER (SR6773)
(33701398)

ITEM	DESCRIPTION	PART NO.
11	S-1B46-2-3 SWITCH	
10	S-1B45-1-2 SWITCH	
9	MS3057-4A CLAMP	
8	MS306A0SL-35 PLUG	
7	MS3057-12A CLAMP	
6	MS306A-20-155 PLUG	
5	S-1360-15 CIRCUIT BRK	
4	IS7405-6 BRUSH HOLDER	
3	CM2631-1 AMPMETER	
2	OBTO152-19 TIMER	
1	S-1B45-1-1 SWITCH	

EQUIPMENT TABLE	
CES-1000 IS APPLICABLE	
VENDOR CODES PER S-1400	
CES-XXXX-CESNA SPEC. NO.	
S-XXX OR CXXXXX-CESNA	
STD. NO.	

WIRE CODE NO.	Gauge	MATERIAL	LG	TERMINALS	SERIALS
K-HA2	16				
K-HA1	16				
K-HA6	16				
K-HA5	16				
K-HA4	16				
K-HA3	16				
WIRE					
CODE NO.	GA				

CONTRACT NO:		TITLE	
NAME	DATE	DESIGN	DATE
YOUNGERS	5-22-68	YOUNGERS	5-22-68
CHECK	5-25-68	STRESS	5-25-68
PROJECT	5-25-68	PROJECT	5-25-68
APPD	5-25-68	APPD	5-25-68

WIRE TABLE	
CONTRACT NO:	COMMERCIAL AIRCRAFT DIV. 8800 E. PAWNEE WICHITA, KANSAS
TITLE	WIRING DIAGRAM - PROP ANTI-ICE SYSTEM (OPTIONAL)
SIZE	CODE IDENT. DWG NO.
C	71379
SCALE: NONE	337
EDARR 01B30 (SER 337-0979) FOR	PAGE: 13.4.1