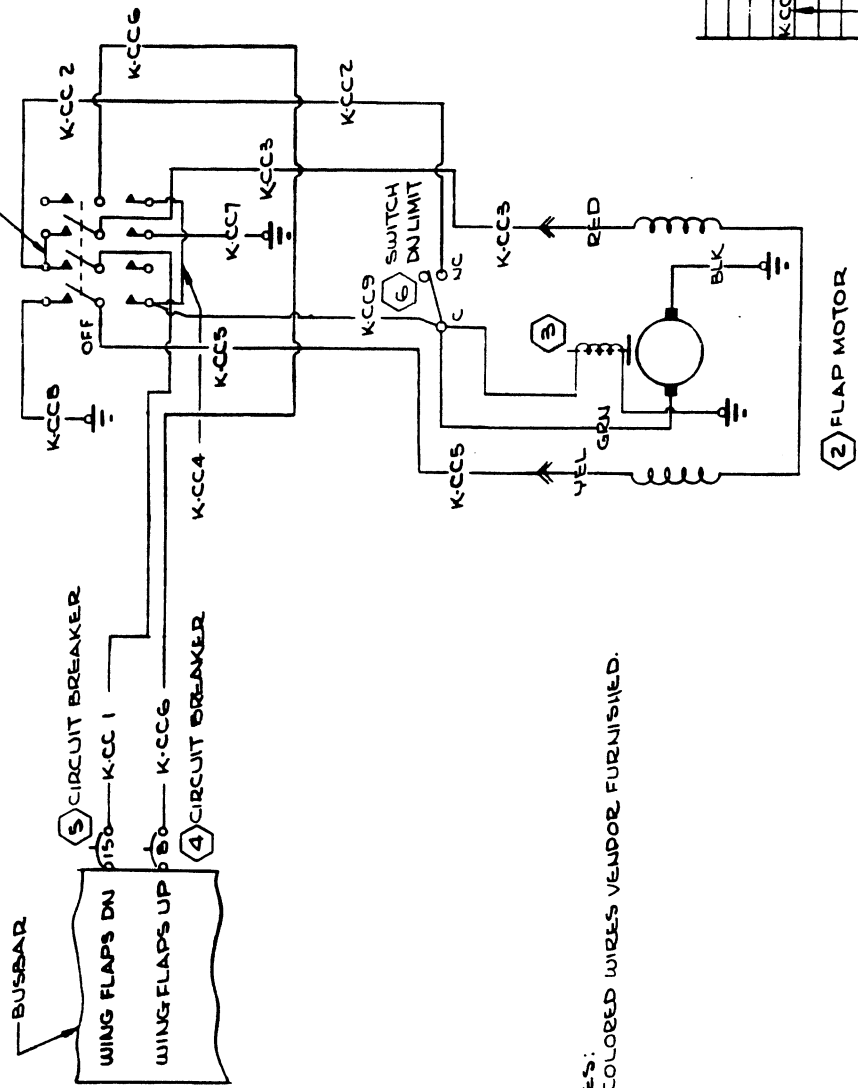


CHG LET	REVISION	BY	CHK

0160632 BUSBAR (REF)



INACTIVE
 WITH 7.15 CS
 EFF SER 337-0001
 THRU 337-0239
 Rev. 10-9-65
 PLS

NOTES:
 1. COLORED WIRES VENDOR FURNISHED.

WIRE NO	GA	MATERIAL	LG	TERMINALS	SERIALS
K-CC-216					
1 816					
718					
618					
516					
418					
316					
216					
K-CC-116					

EQUIPMENT TABLE	
PART NO	DESCRIPTION
0160632-4	SWITCH-FLAP
1470106-1	FLAP MOTOR
51360-8	CIRCUIT BRK
51360-15	CIRCUIT BRK
1513010	SWITCH DN/LIMIT

(MCS)

WIRE TABLE					
WIRE NO	GA	MATERIAL	LG	TERMINALS	SERIALS
1618136726					
205136726					
1705136716					
1705136716					
1705136726					
205136716					
1905136726					
1705136726					

EQUIPMENT TABLE	
PART NO	DESCRIPTION
0160632-4	SWITCH-FLAP
1470106-1	FLAP MOTOR
51360-8	CIRCUIT BRK
51360-15	CIRCUIT BRK
1513010	SWITCH DN/LIMIT

(MCS)

EQUIPMENT TABLE	
PART NO	DESCRIPTION
0160632-4	SWITCH-FLAP
1470106-1	FLAP MOTOR
51360-8	CIRCUIT BRK
51360-15	CIRCUIT BRK
1513010	SWITCH DN/LIMIT

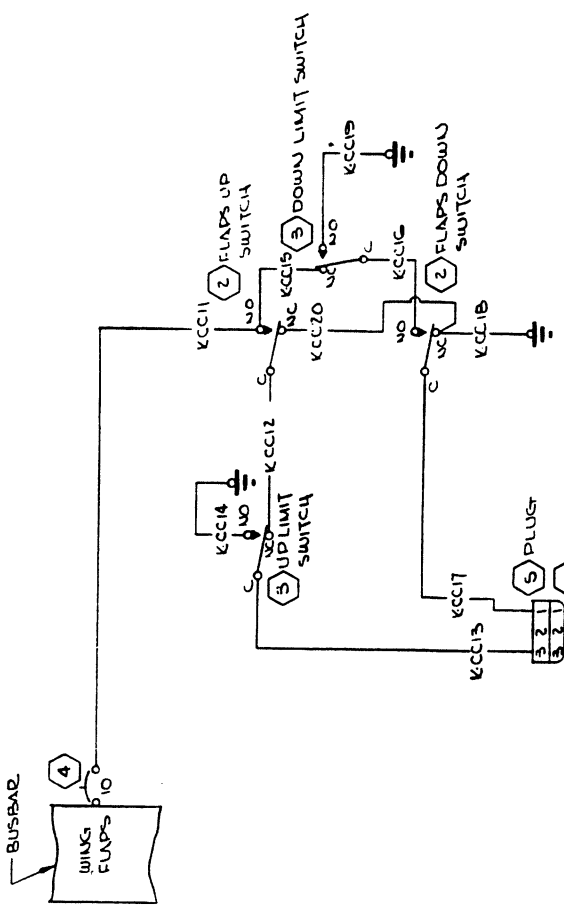
(MCS)

CESSNA AIRCRAFT CO COMMERCIAL AIRCRAFT DIVISION WICHITA KANSAS	
NAME	DATE
HARDEN	7-25-64
GROUP	
CHECKED	BY
W. J. ...	B. J. ...
DATE	
8-13-64	
SUPERVISOR PAGE 14.5	
MODEL	337
REV	14.1
SERIALS	
1570000	

FORM NO 80-181

REV	LET	REVISION	BY	DATE	CHK	DATE
A		BY REV: SER IN 1562025-5-4-71 -9, SER OUT 1562025-14-5 ED: RR 02629 (SR6330)	PGP	92-69	PGP	92-69

INACTIVE
 THRU 3701462
 EFFSER 337-0240



- 1 ACTUATOR ASSEMBLY SER(SR469) THRU SER(SR5095) (337-0240 THRU 337-0755)
- 2 FLAP ACTR ASSY - FILTERED SER(SR5095) THRU SER(SR6330) (337-0756 THRU 33701193)
- 3 FLAP ACTR ASSY - NON FILTERED SER(SR5095) ON - (337-0756 ON)
- 4 FLAP ACTR ASSY - NON FILTERED (ALT) SER(SR5095) ON - (337-0756 ON)
- 5 FLAP ACTR ASSY - FILTERED SER(SR6330) ON - (33701194 ON)

WIRE	GA	MATERIAL	TERMINALS	SERIALS
KCC20 18			S136114 S136114	
19			S136114 S136114	
11			S136114 S136114	
16			S136114 S136114	
15			S136114 S136114	
14			S136114 S136114	
13			S136114 S136114	
12			S136114 S136114	
KCC11 18			S136114 S136114	

DATE	FILE	BY	DATE
10-15-65			
10-15-65			
10-15-65			

WIRING DIAGRAM - WING FLAP MOTOR
 CESSNA AIRCRAFT CO., COMMERCIAL AIRCRAFT DIVISION, WICHITA, KANSAS
 Cessna.
 PART NO 1570000
 REV A
 MODE 337A
 SUPPLIERS 337A.1
 PAGE 14.5

PART NO	DESCRIPTION	INSTALLED ON
10 1562025-9	FLAP ACTR ASSY	1562030
9 1562025-7	FLAP ACTR ASSY	1562030
8 1562025-6	FLAP ACTR ASSY	1562030
7 1562025-5	FLAP ACTR ASSY	1562030
6 156302-2	HOUSING - CAP	1562030
5 15630-1	HOUSING - PLUG	1562030
4 15630-10	SUBCUT BRACKET	1570010
3 MS25253-1	LIMIT SWITCH	1562030
2 MS25253-1	FLAP SWITCH	1562030
1 1562025-1	ACTUATOR ASSY	1562030

EQUIPMENT TABLE