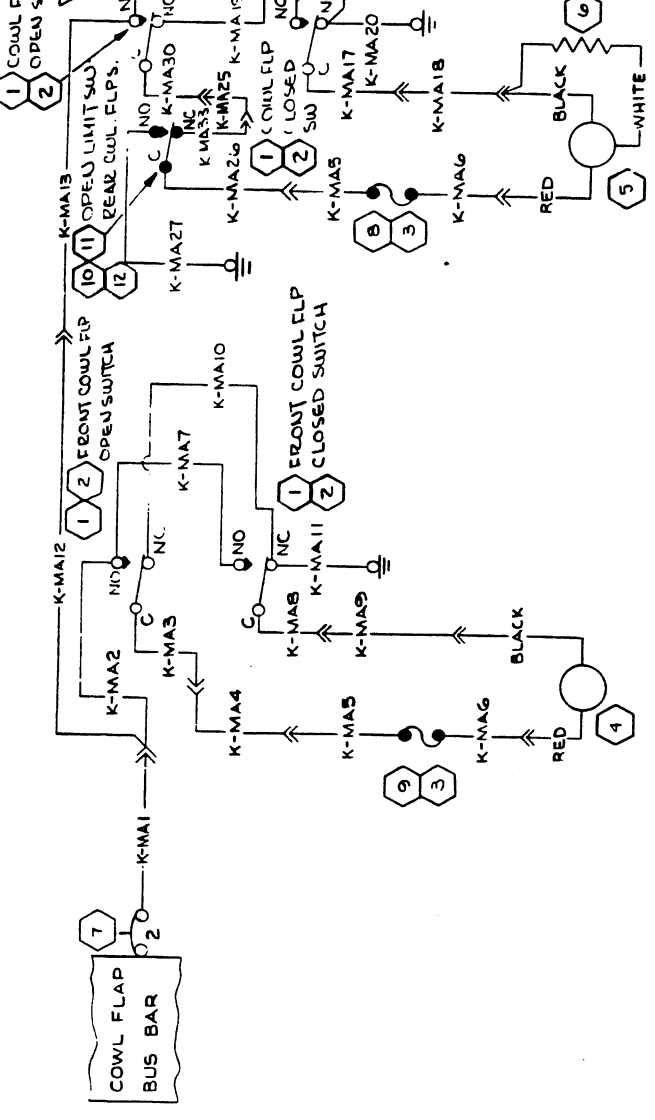


LTR	DESCRIPTION	DATE	APPROVED
A	REVISED K-MA27, K-MA28, K-MA29, ON K-MA25, S-341-2 WWS S-1367-1-4 ON K-MA25 S-341-2 WWS S-1367-1-4	JUN 6 2004	JAT-264 6/6/04
B	REVISED K-MA27, K-MA28, K-MA29, ON K-MA25, S-341-2 WWS S-1367-1-4 ON K-MA25 S-341-2 WWS S-1367-1-4 TO SWITCHES FRONT CWL FLPS OPEN SW; NO WAS NC; NC WAS NC	JUN 11 2004	ELL PIM 2/10 JAT

REAR COWL FLAPS  
CLOSED LIMIT SW-  
K-MA24  
REAR COWL FLAPS



INACTIVE: 357-073A  
SER 357-0978  
THRU SER 357-0978  
SDP  
JUN 11 2004  
K-MA27  
K-MA28  
K-MA29  
JAT

WIRE NO.	GA	MATERIAL	LG	TERMINALS	SERIALS
32		SOLDER		S-341-2	
31		SOLDER		S-341-2	
30		SOLDER		S-341-2	
29		SOLDER		S-341-2	
28		SOLDER		S-341-2	
27		SOLDER		S-341-2	
26		SOLDER		S-341-2	
25		SOLDER		S-341-2	
24		SOLDER		S-341-2	
23		SOLDER		S-341-2	
22		SOLDER		S-341-2	
20		SOLDER		S-341-2	
19		SOLDER		S-341-2	
18		SOLDER		S-341-2	
17		SOLDER		S-341-2	
13		SOLDER		S-341-2	
12		SOLDER		S-341-2	
11		SOLDER		S-341-2	
10		SOLDER		S-341-2	
9		SOLDER		S-341-2	
8		SOLDER		S-341-2	
7		SOLDER		S-341-2	
6		SOLDER		S-341-2	
5		SOLDER		S-341-2	
4		SOLDER		S-341-2	
3		SOLDER		S-341-2	
2		SOLDER		S-341-2	
1		SOLDER		S-341-2	

CONTRACT NO.	NAME	DATE
	W HARDEN	6-6-07
	H HARRIS	6-6-07
	H HARRIS	6-20-07
		6-27-07
		6-1-07

DESIGN	GROUP	DRAWN	CHECK	STRESS	PROJECT	APPD
W HARDEN	H HARRIS	H HARRIS	H HARRIS			

WIRE NO.	GA	MATERIAL	LG	TERMINALS	SERIALS
12		USM-W		LIMIT SW(ALT)(01929)	
11		E62-10K		LIMIT SW(ALT)(01963)	
10		3115M&T		LIMIT SW (91929)	
9		AGC-2		FUSE	
8		AGC-3		FUSE	
7		5-1360-2		CIRCUIT BREAKER	
6		VAL 3-200		RES AXIAL LEAD(94310)	
5		1552513-1		MOTOR ASSY-REAR	
4		432506-4		MOTOR ASSY-FRONT	
3		HHJ-A		FUSE HOLDER(71400)	
2		E33-10K		LIMIT SW(ALT)(01963)	
1		V3L-3		LIMIT SW (91929)	

PART NO.	DESCRIPTION
	EQUIPMENT TABLE

WIRING DIAGRAM -  
COWL FLAPS - FRONT & REAR

COMMERCIAL AIRCRAFT DIV.  
5800 E. PAWNEE  
WICHITA, KANSAS

SCALE: NONE (SR 5406) PAGE: 16.2

CODE IDENT (WING NO)  
NO  
C 71379 1570000

1044 NO 10715

18-133