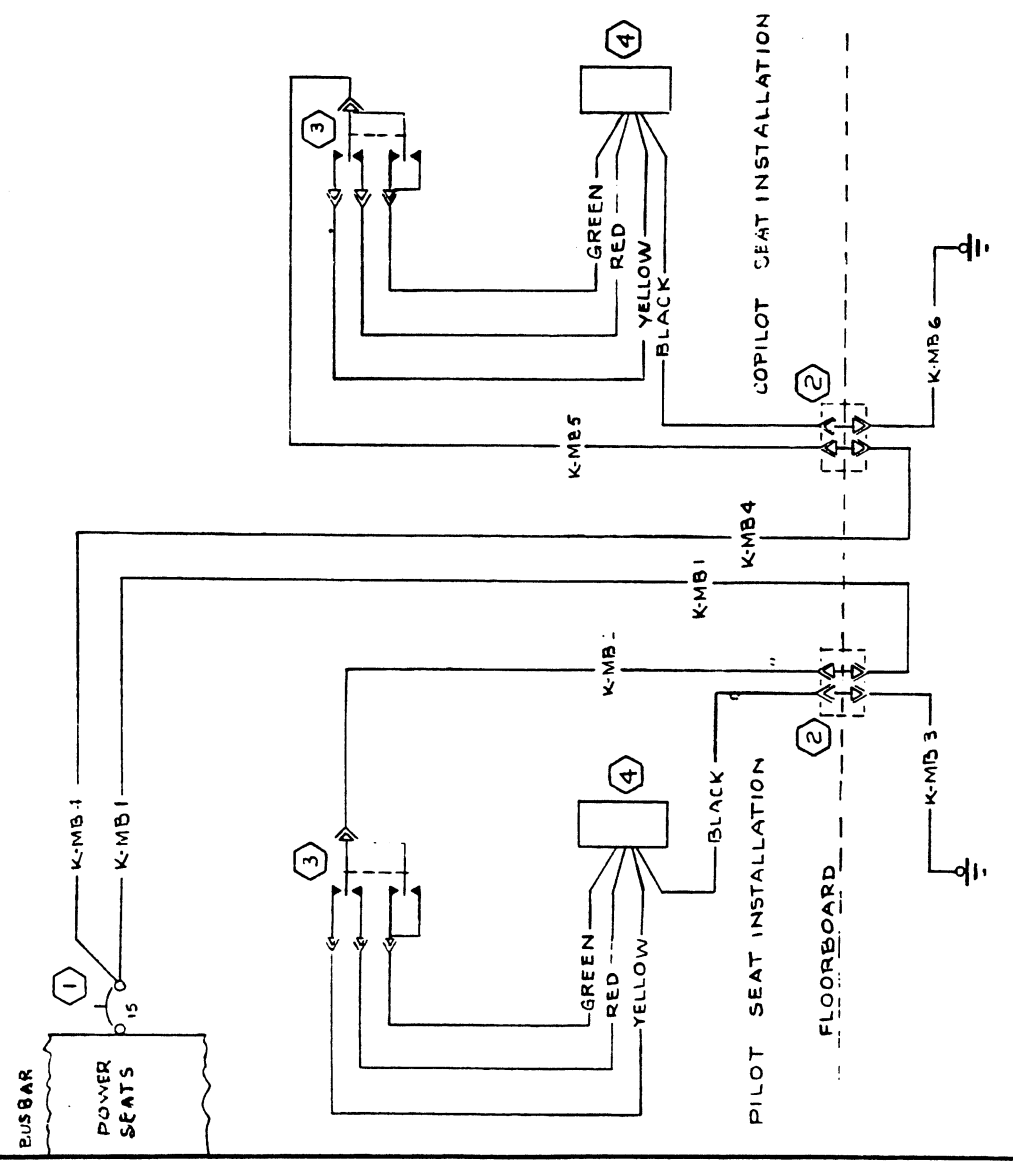


CHG LET	REVISION	BY DATE	CHK APPD

NOTES:
1. COLOR CODFD WIRES FURNISH'D BY MOTOR VENDOR



INACTIVE: 337-001
 EFF SER 37-0978
 THRU SER 37-0978
 6-20-68
 9-1-68
 1-1-68
 3-1-68
 5-1-68
 7-1-68
 9-1-68
 11-1-68
 1-1-69
 3-1-69
 5-1-69
 7-1-69
 9-1-69
 11-1-69
 1-1-70
 3-1-70
 5-1-70
 7-1-70
 9-1-70
 11-1-70
 1-1-71
 3-1-71
 5-1-71
 7-1-71
 9-1-71
 11-1-71
 1-1-72
 3-1-72
 5-1-72
 7-1-72
 9-1-72
 11-1-72
 1-1-73
 3-1-73
 5-1-73
 7-1-73
 9-1-73
 11-1-73
 1-1-74
 3-1-74
 5-1-74
 7-1-74
 9-1-74
 11-1-74
 1-1-75
 3-1-75
 5-1-75
 7-1-75
 9-1-75
 11-1-75
 1-1-76
 3-1-76
 5-1-76
 7-1-76
 9-1-76
 11-1-76
 1-1-77
 3-1-77
 5-1-77
 7-1-77
 9-1-77
 11-1-77
 1-1-78
 3-1-78
 5-1-78
 7-1-78
 9-1-78
 11-1-78
 1-1-79
 3-1-79
 5-1-79
 7-1-79
 9-1-79
 11-1-79
 1-1-80
 3-1-80
 5-1-80
 7-1-80
 9-1-80
 11-1-80
 1-1-81
 3-1-81
 5-1-81
 7-1-81
 9-1-81
 11-1-81
 1-1-82
 3-1-82
 5-1-82
 7-1-82
 9-1-82
 11-1-82
 1-1-83
 3-1-83
 5-1-83
 7-1-83
 9-1-83
 11-1-83
 1-1-84
 3-1-84
 5-1-84
 7-1-84
 9-1-84
 11-1-84
 1-1-85
 3-1-85
 5-1-85
 7-1-85
 9-1-85
 11-1-85
 1-1-86
 3-1-86
 5-1-86
 7-1-86
 9-1-86
 11-1-86
 1-1-87
 3-1-87
 5-1-87
 7-1-87
 9-1-87
 11-1-87
 1-1-88
 3-1-88
 5-1-88
 7-1-88
 9-1-88
 11-1-88
 1-1-89
 3-1-89
 5-1-89
 7-1-89
 9-1-89
 11-1-89
 1-1-90
 3-1-90
 5-1-90
 7-1-90
 9-1-90
 11-1-90
 1-1-91
 3-1-91
 5-1-91
 7-1-91
 9-1-91
 11-1-91
 1-1-92
 3-1-92
 5-1-92
 7-1-92
 9-1-92
 11-1-92
 1-1-93
 3-1-93
 5-1-93
 7-1-93
 9-1-93
 11-1-93
 1-1-94
 3-1-94
 5-1-94
 7-1-94
 9-1-94
 11-1-94
 1-1-95
 3-1-95
 5-1-95
 7-1-95
 9-1-95
 11-1-95
 1-1-96
 3-1-96
 5-1-96
 7-1-96
 9-1-96
 11-1-96
 1-1-97
 3-1-97
 5-1-97
 7-1-97
 9-1-97
 11-1-97
 1-1-98
 3-1-98
 5-1-98
 7-1-98
 9-1-98
 11-1-98
 1-1-99
 3-1-99
 5-1-99
 7-1-99
 9-1-99
 11-1-99
 1-1-00
 3-1-00
 5-1-00
 7-1-00
 9-1-00
 11-1-00

WIRE CODE NO.	GA	MATERIAL	LT	TERMINALS	SERIALS
K-MB 6	16	S-1493-2	5-1967-2-8	1470210	
5		S-1493-2	5-1493-2		
4		S-1367-2-4	5-1493-2		
3		S-1493-2	5-1367-2-8		
2		S-1493-2	5-1493-2		
K-MB 1	16	S-1367-2-4	5-1493-2	1470210	
WIRE CODE NO.	GA	MATERIAL	LT	TERMINALS	SERIALS
				N/A	

NAME	DATE	TITLE
DSBURN	7-23-64	WIRING DIAGRAM - POWER ADJUSTABLE SEAT, PILOT & COPILOT (OPTIONAL)
GROUP		
CHECK		
PROJ		
SUPERSEDED BY		

PART NO	DESCRIPTION	INSTALLED ON
1414249-1	MOTOR A-37	1414310
1414265-1	SWITCH (FOR BUSHING TERMINAL)	1414367
5-1493-1	BUSHING TERMINAL	1470210
5-1360-15	CIRCUIT BKR	1470210

CESSNA AIRCRAFT CO. COMMERCIAL AIRCRAFT DIVISION WICHITA KANSAS	MODEL 337	PAGE 16.3
FORM NO 80161		