

**HUGHES
SERVICE INFORMATION
NOTICE**

NOTICE NO. HN-90

DATE 11 Dec 1975

PAGE 1 OF 4

SUBJECT: FIELD MODIFICATION - DOOR LATCH KIT, PN M50440

MODELS AFFECTED: Model 369HS Helicopter Serial No. 0201S thru 0750S; 0761S
Model 369HM Helicopter Serial No. 0201M and subsequent

TIME OF COMPLIANCE: At Owners and Operators discretion

PREFACE: A modified door latch shaft is now available for installation on the above affected helicopters. The latch assembly features a revised spindle and handle retention method. This Service Information Notice provides instructions for installation of the modification kit.

Reference

369 Series - Basic HMI, Issued 1 October 1972; Revision No. 5, 15 June 1975

Hughes Helicopters

Notice No. HN-90
Date: 11 Dec 1975
Page: 2 of 4

PARTS LISTS

<u>Nomenclature</u>	<u>Part No.</u>	<u>Qty</u>	<u>Mfr</u>
Kit - Door Latch Modification	M50440	4	HH

One Modification Kit for each door consists of the following:

Spindle	LL588	1
Pin, Roll	NAS561P4-16	1
Washer	LJ507	1
Washer, Phenolic	30468	1
Washer	AN960-416	1
Washer	AN960-8	1
Screw	20142-406	1

TOOLS AND EQUIPMENT

Drill motor, portable
Drill bit - #30

MATERIALS

Retaining compound - Loctite or equivalent

MODIFICATION PROCEDURE

- a. Remove screws securing door latch cover to door frame; remove cover.

NOTE

If screw is used on inboard end of existing spindle,
disregard modification per this Notice.

- b. Remove lock ring and spindle washer from inboard end of existing spindle. Discard lock ring and washer.
- c. Remove screws securing escutcheon; pull outside handle, escutcheon and spindle assembly out of door frame.
- d. Remove roll pin securing outside handle to spindle; remove large lock ring and washer from handle. Discard lock ring, washer and roll pin.

Hughes Helicopters

Notice No. HN-90

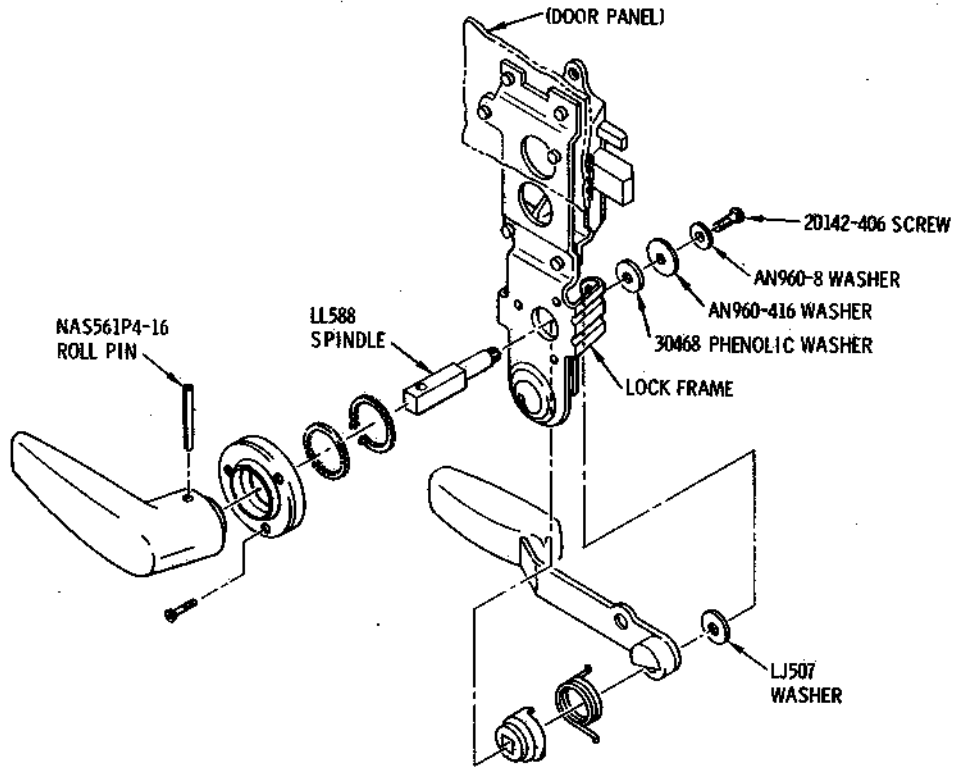
Date: 11 Dec 1975

Page: 3 of 4

- e. Insert new spindle from outer side of door through lock frame, and assemble inside door handle with new washer in lock frame, as shown in Figure 1. Secure inside door handle and spindle with new washers and screw as shown. Tighten screw sufficiently to bottom out; do not over-torque screw.
- f. Secure escutcheon to outside of door frame, using existing screws and Loctite or equivalent.
- g. Reinstall existing shims. Align outside door handle on spindle; hold in position using light pressure. Line drill spindle, using hole in door handle as guide; use #30 drill. If no hole exists in handle, line drill through handle and spindle. Secure handle to spindle using new roll pin.
- h. Check door handle installation for proper operation. Operation should be free with no binding. If spring tension will not return handle to closed position, remove handle and remove one shim at a time until handle operates satisfactorily.
- i. Repeat steps a through h for remaining three doors.
- j. Record installation of door latch Modification Kit No. M50440 per this Service Information Notice in Component Records of helicopter Log Book.

WEIGHT AND BALANCE DATA

Weight and balance not affected.



88-163

Figure 1. Modification of Door Latch Assembly, Kit No. M50440