

SECTION 10

PARTS LIST

INTRODUCTION

This illustrated parts section is furnished for your convenience in quickly and easily identifying parts for the 95-amp alternator and test boxes.

GROUP ASSEMBLY PARTS LIST ARRANGEMENT

This section lists all replaceable items in the alternator assembly and test box assemblies. All items are detailed in the illustration and keyed to the accompanying parts list. The purpose of the index numbers is to provide complete positive identification of the article, but should NOT be used for procurement purposes.

- a. The figure and index number column of the parts list shows the figure number once at the beginning of the list. The figure number is followed by a dash and the indexed number. The remaining index numbers are preceded by dash only.
- b. The part number column identifies the item by number.
- c. In the description column, relationship of items covered is shown by the degree of indention of each item, for example: The complete installation is listed in column (1) of the description column. The assemblies are the next lower assembly and is therefore listed in column (2).
- d. The quantity listed in the "Units Per Assembly" column are the quantity used per figure.

HOW TO ORDER

USE YOUR CATALOG TO ORDER PARTS. When ordering, use "Parts and Accessories Order" form, giving complete part numbers and nomenclature as they appear in parts catalog. Both the order form and parts catalog are available through your Local Zone Representative for the Cessna Aircraft Company. Always specify item quantities, and furnish complete address and shipping instructions, otherwise the shipper will use his discretion in shipping.

DISTRIBUTOR ORDERS

Distributors will send all orders to the factory with instructions to indicate shipping destination. The factory prefers not to make C. O. D. shipments for distributor, and all billing will be made to the distributor in the case of direct shipments.

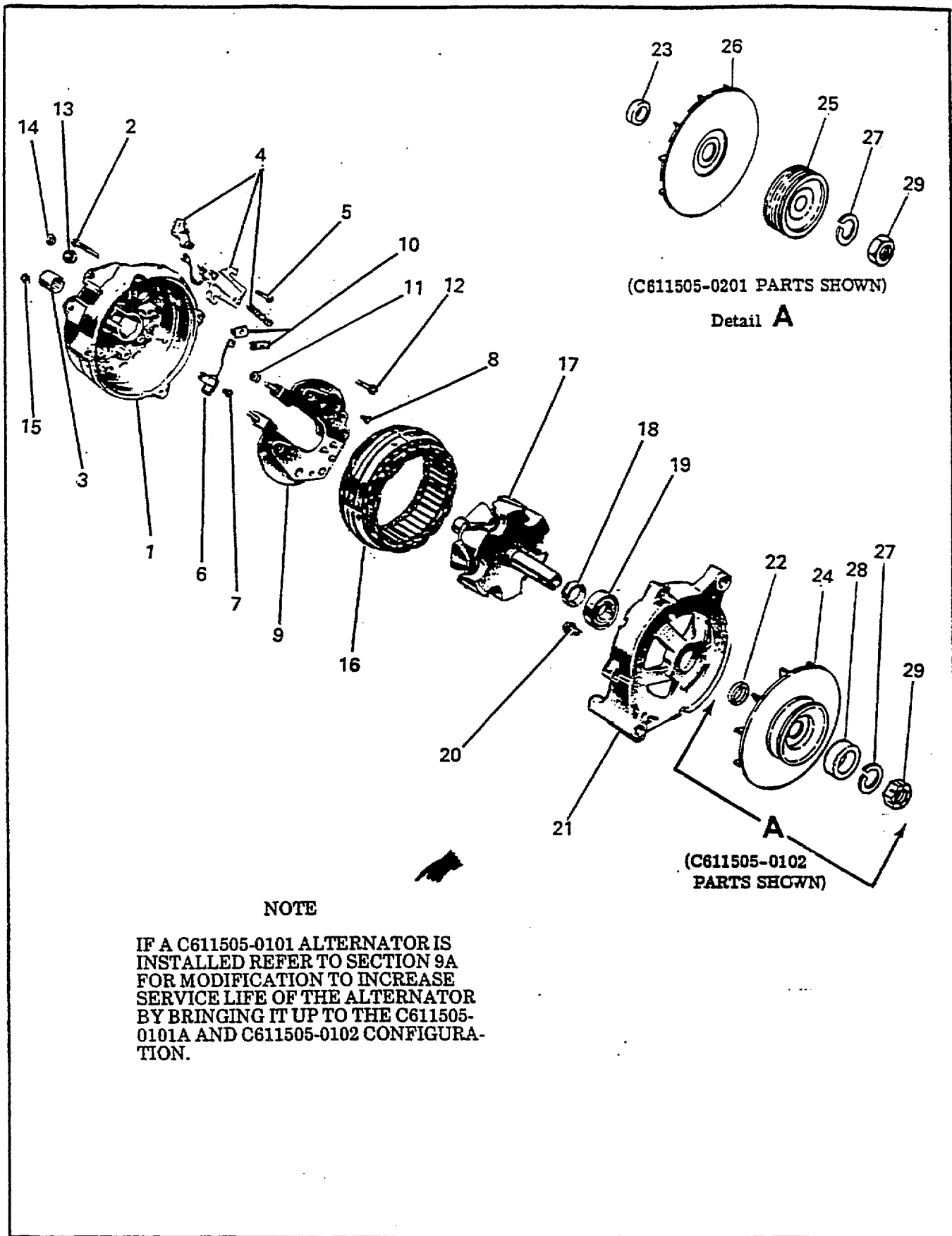
DEALER ORDERS

Dealers will place all of their parts order requirements with their distributor. The factory will not honor orders received directly from a dealer. It will be necessary for us to forward it to the distributor for his action. Therefore, dealer orders sent direct to the distributor will result in much faster delivery on any parts that are required.

RETAIL ORDERS

Retail orders will not be honored by the factory. They are to be placed with the dealer or distributor in the owner's territory and when received directly by the factory will be forwarded to the distributor from whose territory it was received. Considerable savings in time will result to the owner if his orders are placed with his dealer or distributor.

Cessna Aircraft Company reserves the right to cancel, add or change the parts and assemblies described in this manual without notice.



(C611505-0201 PARTS SHOWN)

Detail A

(C611505-0102 PARTS SHOWN)

NOTE

IF A C611505-0101 ALTERNATOR IS INSTALLED REFER TO SECTION 9A FOR MODIFICATION TO INCREASE SERVICE LIFE OF THE ALTERNATOR BY BRINGING IT UP TO THE C611505-0101A AND C611505-0102 CONFIGURATION.

Figure 10-1. Alternator Parts Breakdown

FIGURE AND INDEX NO.	PART NUMBER	DESCRIPTION	UNITS PER ASSY	USABLE ON CODE		
					1	2
10-1	C611505-0101	ALTERNATOR ASSEMBLY 28-VOLT - BELT DRIVEN - 95-AMP NO LONGER AVAILABLE. MODIFY PER SECTION 9A TO THE C611505-0101A CONFIGURATION OR REPLACE WITH C611505-0201	1	A		
	C611505-0102	ALTERNATOR ASSEMBLY 28-VOLT - BELT DRIVEN - 95-AMP	1	A		
	C611505-0201	ALTERNATOR ASSEMBLY 28-VOLT - BELT DRIVEN - 95-AMP	1	B		
	- 1	D7VF-10A349-AA	REAR HOUSING ASSEMBLY ATTACHING PARTS	1		
	- 2	384808-S100	THRU-BOLT *.....	4		
	- 3	D20F-10A304-A2A	REAR BEARING	1		
	- 4	D7FF-10320-AA	HOLDER ASSY - ALTERNATOR BRUSH	1		
	- 5	384755-S2	BRUSH HOLDER SCREW *.....	2		
	- 6	D20F-18827-AA	CAPACITOR ASSEMBLY ATTACHING PARTS	1		
	- 7	384754-S7	SCREW - CAPACITOR ATTACHING	1		
	- 8	384794-S7	SCREW - CAPACITOR TERMINAL *.....	1		
	- 9	D7FF-10304-AA	RECTIFIER ASSEMBLY ATTACHING PARTS	1		
	- 10	9910592-21	RECTIFIER INSULATOR RECTANGLER	2		
	- 11	D0AF-10A383-A	RECTIFIER INSULATOR ROUND - BLK MOUNTS ON BAT TERMINAL OF RECTIFIER INSIDE OF ALTERNATOR	1		
	- 12	384756-S2	SCREW & WASHER ASSEMBLY - RECTIFIER	1		
	- 13	D0AF-10329-A	INSULATOR ROUND - RED MOUNTS ON BAT TERMINAL	1		
	- 14	383256-S8	NUT - RECTIFIER MOUNTS ON BAT TERMINAL	1		
	- 15	383255-S36	NUT - RECTIFIER MOUNTS ON GND TERMINAL *.....	1		
	- 16	D60F-10368-AA	STATOR ASSEMBLY	1		
	- 17	D7FF-10335-AA	ROTOR ASSEMBLY ATTACHING PARTS	1		
	- 18	C5AF-10A360-A	LOCATING RING	1		
	- 19	C9ZF-10A303-A	FRONT BEARING	1		
	- 20	384757-S2	FRONT BEARING RETAINING SCREW *.....	3		
	- 21	D3VF-10A351-AA	FRONT HOUSING ASSEMBLY	1		
	- 22	C5AF-10343-B	FAN SPACER	1	A	
	- 23	2650083-1	FAN SPACER	1	B	
	- 24	E3FF-10344-AA	FAN & PULLEY ASSEMBLY	1	A	
- 25	2650072-1	PULLEY	1	B		
- 26	AE-2250	FAN ASSEMBLY ATTACHING PARTS	1			
- 27	351496-S36	LOCKWASHER	1			
- 28	E3FF-10343-AA	PULLEY SPACER	1	A		
- 29	351124-S36	NUT *.....	1			
	S1555-701	PLACARD - CESSNA NAMEPLATE	1			
		A .. T182 SERIAL 18267716 & ON R282 & TR182 SERIAL R18201629 & ON A188 SERIAL 18803047 & ON T188 SERIAL T18803297T & ON U206 & TU206 SERIAL U20605920 & ON 207 & T207 SERIAL 20700655 & ON 210 & T210 SERIAL 21062274 THRU 21064897 P210 SERIAL P210000001 THRU P21000834 T303 SERIAL T30300001 & ON				
		B ... T210 SERIALS 21064898 & ON P210 SERIAL P21000835 & ON 208 SERIAL 20800001 & ON 208A SERIAL 20800007 & ON 208B SERIAL 208B0001 & ON				

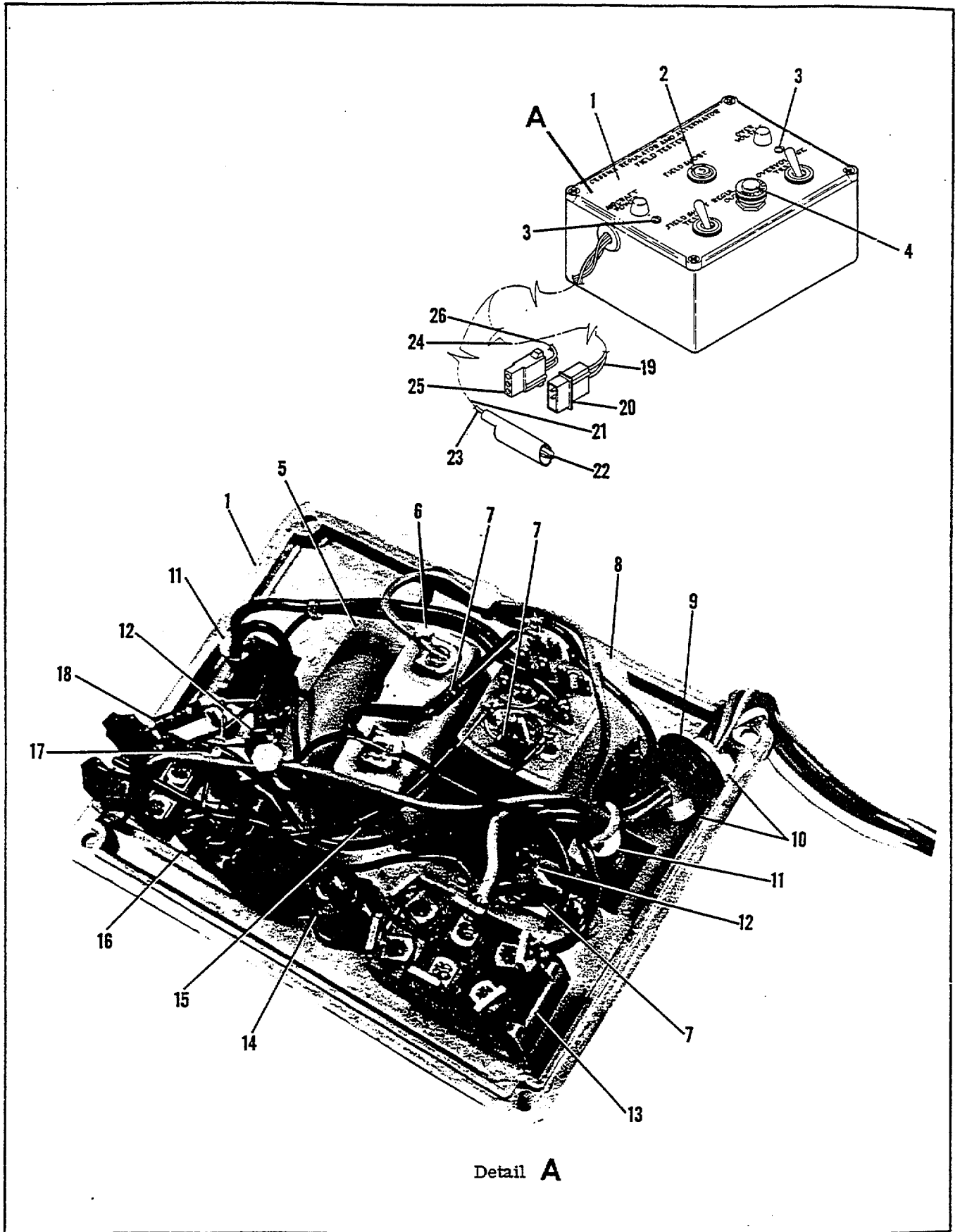


Figure 10-2. Cessna Alternator Charging System Test Box Assembly

FIGURE AND INDEX NO.	PART NUMBER	DESCRIPTION	UNITS PER ASSY	USABLE ON CODE
10-2 -	9870000-1 *	CESSNA ALTERNATOR CHARGING SYSTEM TEST BOX ASSEMBLY -----	1	A
- 1	9870000-2	COVER ASSEMBLY -----	1	
- 2	S2122-1	NUT -----	1	
- 3	AN520-6R6	SCREW -----	2	
	AN540B6	NUT -----	2	
- 4	MS25237-327	LAMP -----	1	
- 5	TVA1315	CAPACITOR SPR -----	1	
- 6	S1360-5L	CIRCUIT BREAKER -----	1	
- 7	IN4004	DIODE MSPD -----	3	
- 8	S1813-1	RELAY -----	1	
- 9	S1291-5	GROMMET -----	1	
-10	S2209-1	TIE -----	AR	
-11	S2135-2	LIGHT ASSEMBLY ALT PART IS S2519-2 -----	2	
-12	1414-6	TERMINAL SHH -----	2	
-13	ST42F	SWITCH JBT -----	1	
-14	MS25041-6	LIGHT -----	1	
-15	IN4110	DIODE MSPD -----	1	
-16	ST52R	SWITCH JBT -----	1	
-17	S2000A102J	RESISTOR -----	1	
-18	S2000A270J	RESISTOR -----	1	
-19	9870000-7	CABLE ASSEMBLY NOT AVAILABLE FOR SPARES -----	REF	
-20	S1638-2	CAP -----	1	
	S292-6	SLEEVING BULK ITEM -----	AR	
-21	9870000-5	CABLE ASSEMBLY NOT AVAILABLE FOR SPARES -----	REF	
-22	300	ALLIGATOR CLIP SHH -----	1	
-23	S292-1	SLEEVING BULK ITEM -----	AR	
-24	9870000-6	CABLE ASSEMBLY NOT AVAILABLE FOR SPARES -----	REF	
-25	S1638-1	PLUG -----	1	
-26	S292-6	SLEEVING BULK ITEM -----	AR	
<p>NOTE: *THE BOX THAT HOUSES THE 9870000-2 COVER ASSEMBLY IS A CU-234 BUD BOX AND IS ONLY SUPPLIED WITH THE COMPLETE ASSEMBLY.</p> <p>A---A188 SERIAL 18803047 & ON T188 SERIAL T18803297T & ON 210 & T210 SERIAL 21062274 THRU 21062954 P210 SERIAL P21000001 THRU P21000150</p>				

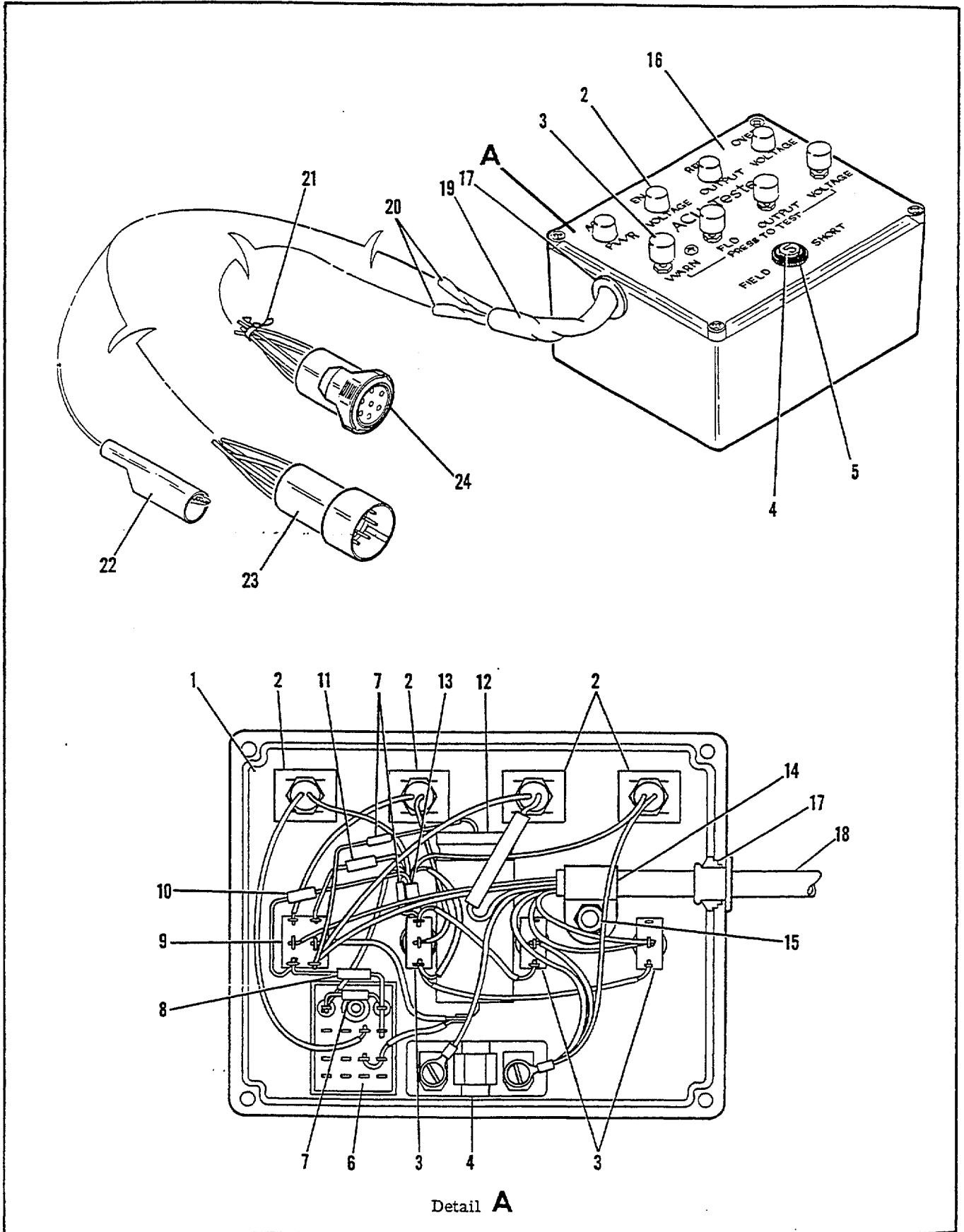


Figure 10-3. Alternator Control Unit Test Box Assembly

FIGURE AND INDEX NO.	PART NUMBER	DESCRIPTION	UNITS PER ASSY	USABLE ON CODE
10-3 -	9870005-1	TEST BOX ASSY - ALTERNATOR CONTROL UNIT-----	1	A
- 1	9870005-2 *	COVER ASSY-----	1	
- 2	S2135-2	LIGHT ASSY ALTERNATE PART NUMBER IS S2519-2 -----	4	
- 3	S1889-1	SWITCH -----	3	
- 4	S1360-5L	CIRCUIT BREAKER -----	1	
- 5	S1216-1	NUT - DECORATIVE CIRCUIT BREAKER ATTACH-----	2	
- 6	S1813-1	RELAY-----	1	
- 7	IN4004	DIODE MSPD -----	3	
- 8	IN4110	DIODE MSPD -----	1	
- 9	S1890-1	SWITCH -----	1	
-10	S2000B102J	RESISTOR -----	1	
-11	S2000B270J	RESISTOR -----	1	
-12	TVA1315	CAPACITOR SPR -----	1	
-13	S1566-6	TERMINAL -----	1	
-14	S1155-4	CLAMP-----	1	
	AN515-6R6	SCREW-----	1	
-15	MS21044N06	NUT -----	1	
-16	9870005-4	PLACARD -----	1	
-17	S1291-8	GROMMET-----	1	
-18		CABLE ASSY -----	NP	
-19	S1694-9	TUBING - CABLE 5.0 IN LG BKI -----	1	
-20	S1694-4	TUBING - CABLE 69.0 IN LG BKI -----	2	
-21	S2209-1	TIE -----	14	
-22	366	CLIP - ALLIGATOR SHHI -----	1	
-23	S2373-1	PLUG -----	1	
-24	S2373-2	RECEPTACLE -----	1	
		NOTE:		
		*THE BOX THAT HOUSES THE 9870005-2 COVER ASSY IS A CU-234 BUD BOX AND IS ONLY SUPPLIED WITH THE COMPLETE ASSY.		
		A---T182 SERIAL 18267716 & ON R182 & TR182 SERIAL R18201629 & ON U206 & TU206 SERIAL U20605920 & ON 207 & T207 SERIAL 20700655 & ON 210 & T210 SERIAL 21062955 & ON P210 SERIAL P21000151 & ON		