

PARTS LISTS

PARTS LISTS

INTRODUCTION

This illustrated parts section has been prepared to aid you in easily and quickly identifying parts of the alternator charging systems.

GROUP ASSEMBLY PARTS LIST ARRANGEMENT

This section lists all replaceable items in the alternator charging systems and these items are detailed on illustrations throughout the Parts Lists Section. The index numbers on the illustration are keyed to each accompanying parts list. The purpose of the index numbers is to provide complete and positive identification of the article, but should not be used for procurement purposes.

- a. The figure and index number column of the parts list shows the figure number once at the beginning of the list. The figure number is followed by a dash and the indexed number. The remaining index numbers are preceded by dash only.
- b. The part number column identifies the item by part number.
- c. In the description column, relationship of items covered is shown by the degree of indention of each item, for example: The complete installation is listed in column (1) of the description column. The assemblies are the next lower assembly and is therefore listed in column (2).
- d. The quantity listed in the "Units Per Assembly" column are the quantity used per figure.

HOW TO ORDER

USE YOUR CATALOG TO ORDER PARTS. Use parts and accessories order form, which will be supplied by Cessna on request. Give complete information on addresses and make sure the part number and part name are shown in the catalog. Be sure to specify quantities. Specify how the order is to be shipped, otherwise it will be sent out in the manner that seems best to the shipper.

DISTRIBUTOR ORDERS

Distributors will send all orders to the factory with instructions as to the shipping destination. The factory prefers not to make C.O.D. shipments for the distributor and all billing will be made to the distributor in the case of direct shipments.

DEALER ORDERS

Dealers will place all of their parts order requirements with their distributor. The factory will not honor orders received directly from a dealer. It will be necessary for us to forward it to the distributor for his action. Therefore, dealer orders sent direct to the distributor will result in much faster delivery on any parts that are required.

RETAIL ORDERS

Retail orders will not be honored by the factory. They are to be placed with the dealer or distributor in the owner's territory and when received directly by the factory will be forwarded to the distributor from whose territory it was received. Considerable savings in time will result to the owner if his orders are placed with his dealer or distributor.



Cessna Aircraft Company reserves the right to cancel, add or change the parts and assemblies described in this manual without notice.

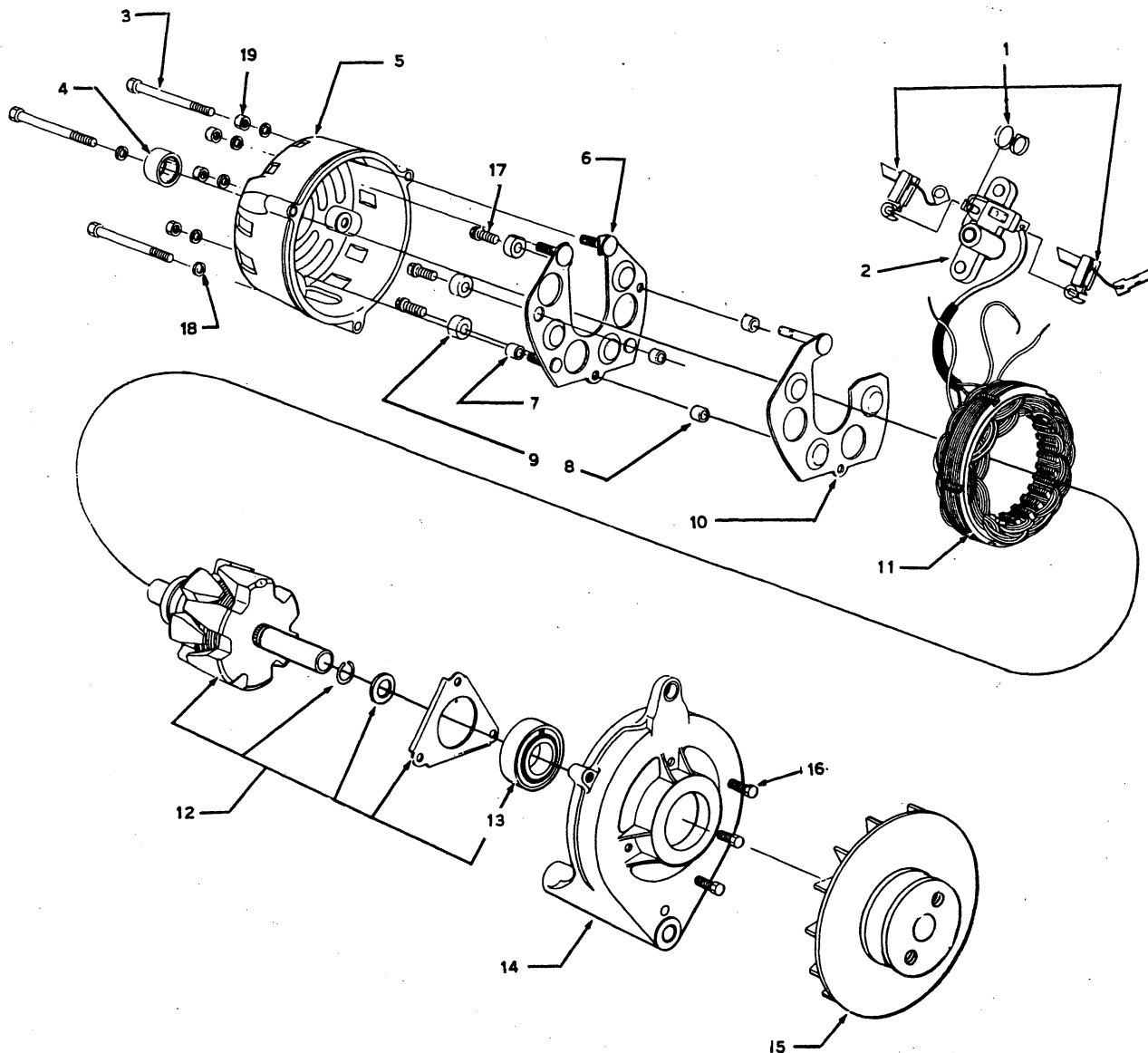


FIGURE 74

FIGURE AND INDEX NO.	PART NUMBER	DESCRIPTION	UNITS PER ASSY	USABLE ON CODE
74 -	0750217-1	★ ALTERNATOR ASSEMBLY - BELT DRIVEN - 52 AMPERE - 15 VOLT (TYPE C4FF-10300-A FOR)-----		A
- 1	C4FF-10A392-A	KIT - ALTERNATOR BRUSH -----	1	
- 2	C3SF-10A357-A	SPACER - TERMINAL -----	1	
- 3	C3SF-10A396-A	BOLT - THRU -----	3	
- 4	C5AF-10A304-A	BEARING - REAR -----	1	
- 5	C4FF-10334-A	HOUSING - REAR -----	1	
- 6	C5FF-10377-A	PLATE & DIODE ASSEMBLY - NEGATIVE -----	1	
- 7	C3XF-10A379-C	SPACER - DIODE PLATE -----	2	
- 8	C3XF-10A363-B	INSULATOR - DIODE PLATE -----	3	
- 9	C3XF-10A383-A	INSULATOR - DIODE PLATE (CUP) -----	3	
- 10	C5FF-10373-A	PLATE & DIODE ASSEMBLY - POSITIVE -----	1	
- 11	C4FF-10368-A	STATOR & COIL ASSEMBLY -----	1	
- 12	C3TF-10367-A	ROTOR, BEARING & SHAFT ASSEMBLY -----	1	
- 13	C3NF-10094-A	BEARING - FRONT ALTERNATE #-----	1	
	C7AF-10A303-A	BEARING - FRONT ALTERNATE #-----	1	
	7RA-10094-A	BEARING - FRONT ALTERNATE #-----	1	
- 14	C3TF-10A351-A	HOUSING - ALTERNATOR FRONT -----	1	
- 15	C4FF-10344-A	PULLEY ASSEMBLY - DRIVE -----	1	
- 16	378595-S100	SCREW - # 10-16 x .36 -----	3	
- 17	378594-S100	SCREW - # 8-32 x .76-----	3	
- 18	34804-S8	LOCKWASHER - # 12 -----	4	
- 19	350868-A2S8	NUT - #10-32 x .31-----	4	
<p>NOTE:</p> <p>★0750217-1 ALTERNATOR ASSEMBLY IS NO LONGER AVAILABLE, REFER TO FIGURE 58 AND REPLACE WITH C611501-0102 ALTERNATOR ASSEMBLY. USE CESSNA SERVICE LETTER 66-1 AS A GUIDE FOR REPLACING A 52-AMP ALTERNATOR WITH THE NEW 60-AMP ALTERNATOR.</p> <p>A---180 SERIAL 18051446 THRU 18051607 182 SERIAL 18255101 THRU 18255125 185 SERIAL 185-0001 THRU 185-0967 U206 SERIAL U206-0276 THRU U206-0437 P206 SERIAL P206-0001 THRU P206-0160 210 SERIAL 21058511 THRU 21058715</p>				

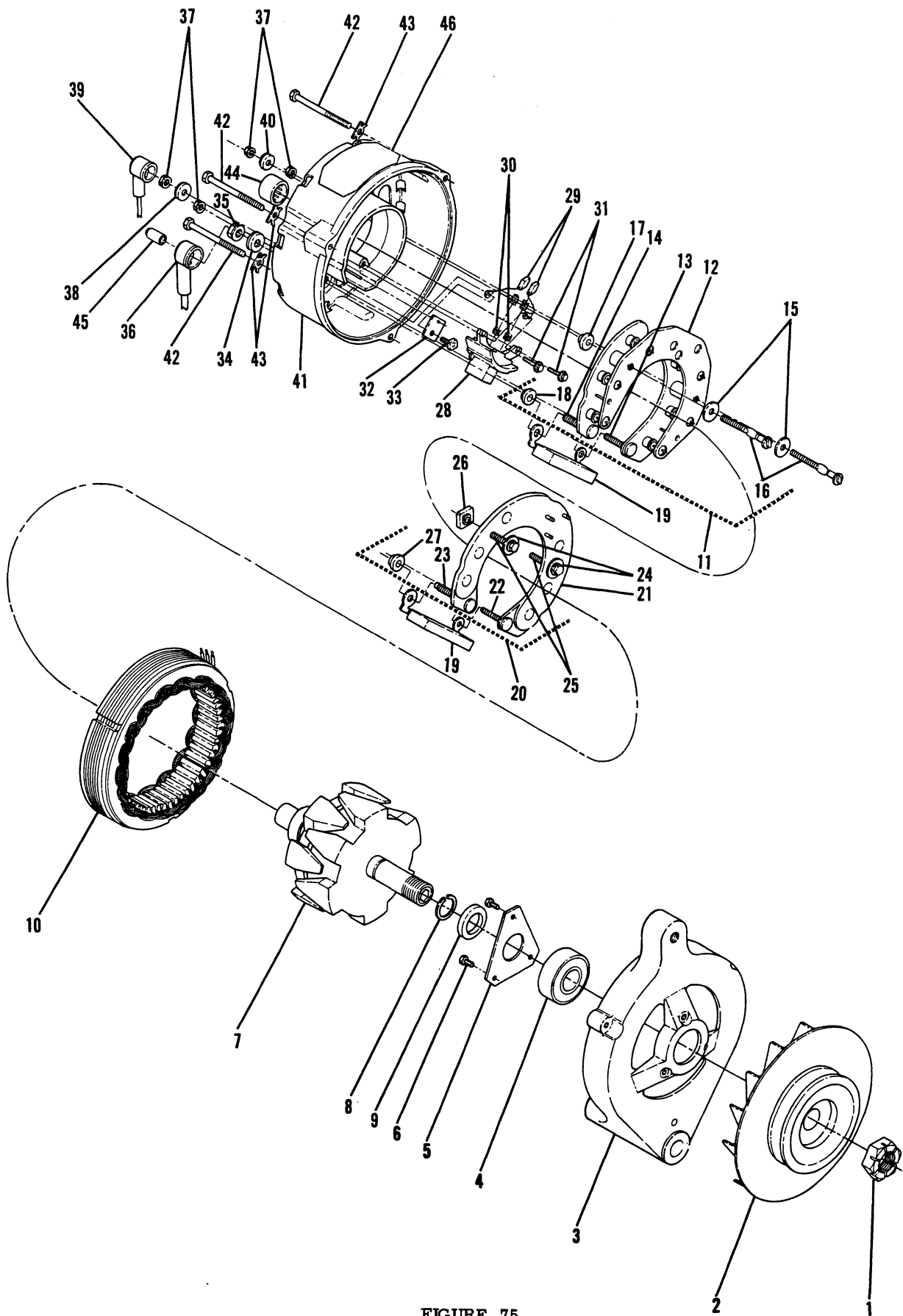


FIGURE 75

FIGURE AND INDEX NO.	PART NUMBER	DESCRIPTION	UNITS PER ASSY	USABLE ON CODE
75 -	C611501-0102	ALTERNATOR ASSEMBLY - BELT DRIVEN - 60-AMPERE - 15-VOLT TYPE EOFF-10300-J THIS ALTERNATOR SUPERSEDES AND REPLACES C611501-0101 TYPE C6FF-10300B FOR ALL SPARES.	1	A
- 1	359553-S8	NUT 5/8-18 FOR	1	
- 2	E3FF-10344-AA	FAN & PULLEY ASSY FOR	1	
- 3	E8FF-10A351-AA	HOUSING - FRONT REPLACES C5AF-10A351-A WHEN EXHAUSTED FOR	1	
- 4	C3NF-10094-A	BEARING - FRONT ALTERNATOR PART IS C7AF-10A303-A FOR	1	
- 5	D20F-10A355-AA	RETAINER - FRONT BEARING FOR	1	
- 6	389217-S2	SCREWS - BEARING RETAINER FOR	3	
- 7	C6FF-10335-B	ROTOR ASSY 15 VOLT ASSY FOR	1	
- 8	C3XF-10370-A	RING - ROTOR STOP	4	
- 9	C5AF-10A360-A	STOP - ROTOR FOR	1	
- 10	D3FF-10368-AA	STATOR ASSY 15 VOLT SYSTEM REPLACES C6FF10368-B AND C6FF-10368-C WHEN EXHAUSTED FOR	1	
- 11	D2FF-10304-BA *	KIT - RECTIFIER REPLACES C6FF-10B379-A & C6FF-10B379 B WHEN EXHAUSTED ALTERNATE PART IS D2FF-10B379-AA (ITEM 20) FOR	1	
- 12	DOFF-10304-B	RECTIFIER ASSY REPLACES DOFF-10304-A WHEN EX- HAUSTED FOR	1	
- 13	383759-S8B	STUD - GROUND #10-32 USED WITH ITEM 12 ONLY FOR	1	
- 14	383761-S8B	STUD - BATTERY 1/4-28 USED WITH ITEM 12 ONLY FOR	1	
- 15	374412-S100	WASHER - STEEL - CONICAL USED WITH ITEM 12 ONLY FOR	2	
- 16	383758-S8B	SCREW #10-24 x 1.57 USED WITH ITEM 12 ONLY FOR	1	
- 17	C7AF-10A383-A	INSULATOR - STATOR - INTERNAL (RED) USED WITH ITEM 12 ONLY FOR	1	
- 18	DOAF-10A383-A	INSULATOR - BATTERY - INTERNAL (BLACK) REPLACES C6AF-10A383-A WHEN EXHAUSTED SAME AS ITEM 27 FOR	1	
- 19	C6AF-18827-A2	CAPACITOR ALTERNATOR PART IS C6AF-18827-A3 FOR	1	
- 20	D2FF-10304-BA *	KIT - ALTERNATOR RECTIFIER - INTEGRAL ALTERNATE PART FOR DOFF-10B379-A (ITEM 11) FOR	1	
- 21	C6FF-10B379-A	RECTIFIER ASSY ALTERNATE PART FOR ITEM 12 FOR	1	
- 22	383759-S8B	STUD - "GND" TERMINAL #10-24 USED WITH ITEM 21 ONLY FOR	1	
- 23	383761-S8B	STUD - "BAT" TERMINAL 1/4-20 USED WITH ITEM 21 ONLY FOR	1	
- 24	383558-S	WASHER - INSULATING USED WITH ITEM 21 ONLY FOR	2	
- 25	383756-S8	BOLT #10-24 USED WITH ITEM 21 ONLY FOR	2	
- 26	C9SF-10A383-A	INSULATOR - STATOR - INTERNAL (SQUARE) USED WITH ITEM 21 ONLY FOR	1	
- 27	DOAF-10A383-A	INSULATOR - BATTERY - INTERNAL (BLACK) REPLACES C6AF-10A383-A WHEN EXHAUSTED SAME AS ITEM 18 FOR	1	
- 28	C5AF-10351-A	BRUSH HOLDER FOR	1	
- 29	C6FF-10B341-A *	KIT - BRUSH (INCLUDES BOTH BRUSHES) KIT CONSISTS OF EQUAL PARTS: C6FF10A367A & C6FF10A367B FOR	1	
- 30	C5AF-10349-A	SPRING - BRUSH FOR	2	
- 31	377284-S7M	SCREW - BRUSH HOLDER #6-32 FOR	1	
- 32	C5AF-10329-C	INSULATOR - FIELD - INTERNAL FOR	1	
- 33	383757S8B	STUD - FIELD TERMINAL FOR	1	
- 34	DOAF-10329-A †	INSULATOR - "BAT" - EXTERNAL (RED) FOR	1	
- 35	389745-S8	NUT & WASHER ASSY - "BAT" - 1/4-20 WHEN EXHAUSTED USE 389745 FOR	1	
- 36	S2114-1	NIPPLE ALTERNATOR "BAT" TERMINAL - EXTERNAL	1	
- 37	389744-S36	NUT & WASHER ASSY - #10-24 COURSE THREAD WHEN EXHAUSTED USE 389744 FOR	4	
- 38	C7AF-10329-C †	INSULATOR - "FLD" - EXTERNAL FOR	1	
- 39	S2114-2	NIPPLE ALTERNATOR "FLD" TERMINAL - EXTERNAL	1	
- 40	C7AF-10329-D	INSULATOR - "STA" - EXTERNAL FOR	1	
- 41	C7A-10A349-B	HOUSING - REAR FOR MODIFIED C7A-10A349B OR WHEN EXHAUSTED MODIFIED E3AF-10A-349-AA	1	
- 42	C8FF-10A396-A	BOLT - THRU - #10-24 FOR	3	
- 43	D7AF-10A384-AA	RETAINER - THRU BOLT FOR	3	
- 44	D7AF-10A304-AA	BEARING - REAR FOR	1	
- 45	S2093-2	COVER - SHAFT	1	
- 46	DOFF-10B319-H	PLACARD - NAMEPLATE	1	

CONTINUED ON NEXT PAGE

FIGURE AND INDEX NO.	PART NUMBER	DESCRIPTION	UNITS PER ASSY	USABLE ON CODE
75 -		<p style="text-align: center;">1 2 3 4 5 6 7</p> <p>NOTES: ★WHEN EXHAUSTED THESE KITS ARE NO LONGER SUPPLIED. INDIVIDUAL PARTS MUST BE ORDERED IN LIEU OF THE KIT. †SUPPLIED AS A PART OF ITEM 11 KIT UNTIL KITS ARE EXHAUSTED.</p> <p>A--- 172 SERIAL 17256513 THRU 17269309 F172 SERIAL F17200805 THRU F17201639 177 SERIAL 17700001 THRU 17702672 177RG SERIAL 177RG0001 THRU 177RG1266 F177RG SERIAL F177RG0001 THRU F177RG0177 180 SERIAL 18051608 THRU 18052905 182 SERIAL 18255126 THRU 18266045 A182 SERIAL A182-0001 THRU A182-0146 F182 SERIAL F18200026 THRU F18200064 185 SERIAL 185-0968 THRU 18503458 188 SERIAL 188-0001 THRU 188-0049 A188 SERIAL 188-0001 THRU 188-0049 U206 SERIAL U206-0438 THRU 20604074 P206 SERIAL P206-0161 THRU P20600647 TU206 SERIAL U206-0438 THRU U20604074 TP206 SERIAL P206-0161 THRU P20600647 207 SERIAL 20700001 THRU 20700414 T207 SERIAL 20700001 THRU 20700414 210 SERIAL 21058716 THRU 21059291 T210 SERIAL T210-0001 THRU T210-0454 T210 SERIAL 21059200 THRU 21059291 T-41A SERIAL 17259003 THRU 17259015</p>		

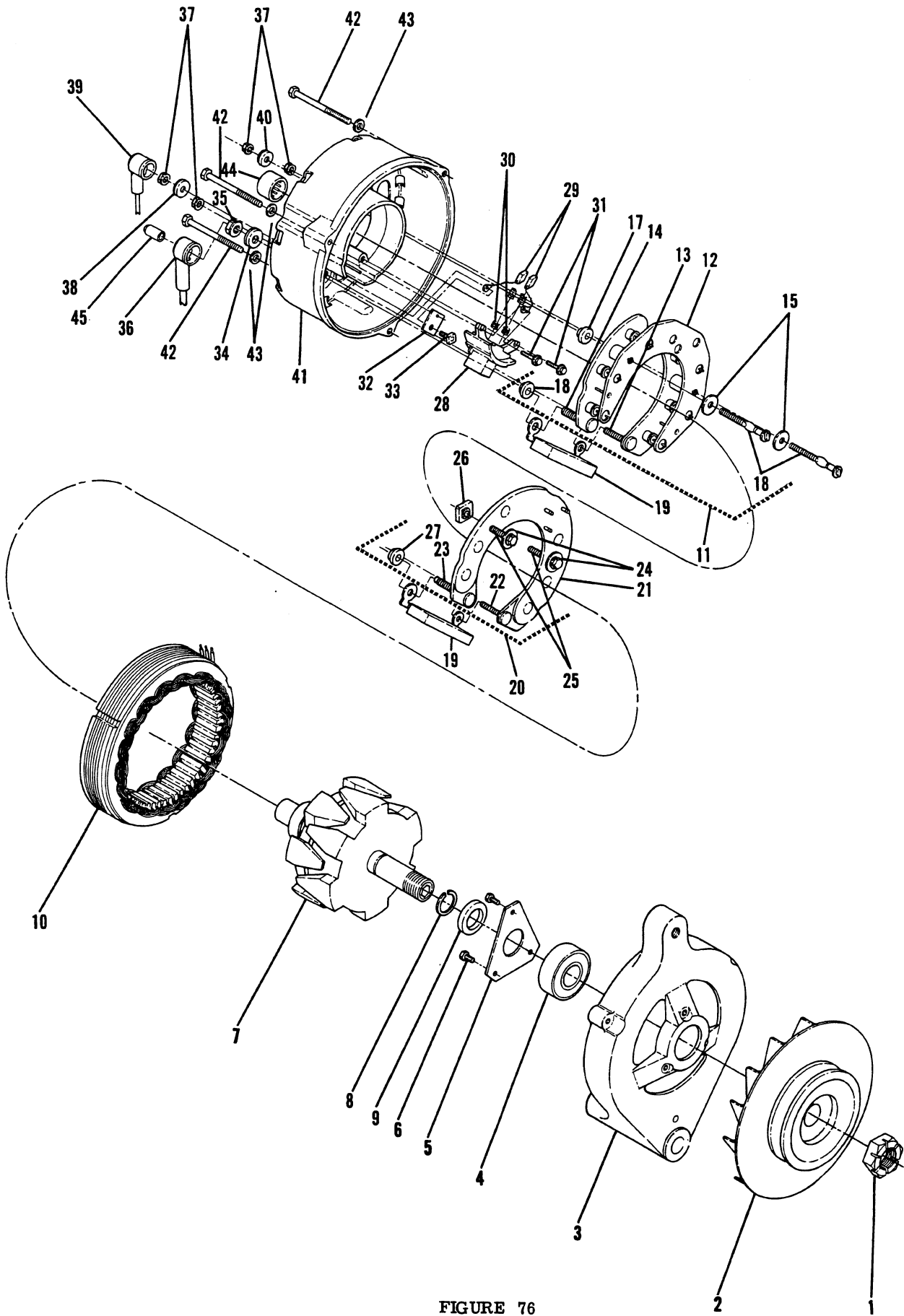


FIGURE 76

FIGURE AND INDEX NO.	PART NUMBER	DESCRIPTION	1 2 3 4 5 6 7							UNITS PER ASSY	USABLE ON CODE
76 -	1570213-6	ALTERNATOR ASSEMBLY - BELT DRIVEN - 60-AMPERE - 15-VOLT								1	A
- 1	359553-S8	NUT 5/8-18 FOR								1	
- 2	E3FF-10344-AA	FAN & PULLEY ASSY FOR								1	
- 3	1570213-3	HOUSING - FRONT MODIFIED D30F-10A351-AA								1	
- 4	C3NF-10094-A	BEARING - FRONT ALTERNATOR PART IS C7AF-10A303-A FOR								1	
- 5	D20F-10A355-AA	RETAINER - FRONT BEARING FOR								1	
- 6	389217-S2	SCREWS - BEARING RETAINER FOR								3	
- 7	C6FF-10335-B	ROTOR ASSY 15 VOLT ASSY FOR								1	
- 8	C3XF-10370-A	RING - ROTOR STOP								4	
- 9	C5AF-10A360-A	STOP - ROTOR FOR								1	
- 10	D3FF-10368-AA	STATOR ASSY 15 VOLT SYSTEM REPLACES C6FF10368-B AND C6FF-10368-C WHEN EXHAUSTED FOR								1	
- 11	D2FF-10304-BA *	KIT - RECTIFIER REPLACES C6FF-10B379-A & C6FF-10B379 B WHEN EXHAUSTED ALTERNATE PART IS D2FF-10B379-AA (ITEM 20) FOR								1	
- 12	DOFF-10304-B	RECTIFIER ASSY REPLACES DOFF-10304-A WHEN EXHAUSTED FOR								1	
- 13	383759-S8B	STUD - GROUND #10-32 USED WITH ITEM 12 ONLY FOR								1	
- 14	383761-S8B	STUD - BATTERY 1/4-28 USED WITH ITEM 12 ONLY FOR								1	
- 15	374412-S100	WASHER - STEEL - CONICAL USED WITH ITEM 12 ONLY FOR								2	
- 16	383758-S8B	SCREW #10-24 x 1.57 USED WITH ITEM 12 ONLY FOR								1	
- 17	C7AF-10A383-A	INSULATOR - STATOR - INTERNAL (RED) USED WITH ITEM 12 ONLY FOR								1	
- 18	DOAF-10A383-A	INSULATOR - BATTERY - INTERNAL (BLACK) REPLACES C6AF-10A383-A WHEN EXHAUSTED SAME AS ITEM 27 FOR								1	
- 19	C6AF-18827-A2	CAPACITOR ALTERNATOR PART IS C6AF-18827-A3 FOR								1	
- 20	D2FF-10304-BA *	KIT - ALTERNATOR RECTIFIER - INTEGRAL ALTERNATE PART FOR DOFF-10B379-A (ITEM 11) FOR								1	
- 21	C6FF-10B379-A	RECTIFIER ASSY ALTERNATE PART FOR ITEM 12 FOR								1	
- 22	383759-S8B	STUD - "GND" TERMINAL #10-24 USED WITH ITEM 21 ONLY FOR								1	
- 23	383761-S8B	STUD - "BAT" TERMINAL 1/4-20 USED WITH ITEM 21 ONLY FOR								1	
- 24	383558-S	WASHER - INSULATING USED WITH ITEM 21 ONLY FOR								2	
- 25	383756-S8	BOLT #10-24 USED WITH ITEM 21 ONLY FOR								2	
- 26	C9SF-10A383-A	INSULATOR - STATOR - INTERNAL (SQUARE) USED WITH ITEM 21 ONLY FOR								1	
- 27	DOAF-10A383-A	INSULATOR - BATTERY - INTERNAL (BLACK) REPLACES C6AF-10A383-A WHEN EXHAUSTED SAME AS ITEM 18 FOR								1	
- 28	C5AF-10351-A	BRUSH HOLDER FOR								1	
- 29	C6FF-10B341-A *	KIT - BRUSH (INCLUDES BOTH BRUSHES) KIT CONSISTS OF EQUAL PARTS: C6FF10A367A & C6FF10A367B FOR								1	
- 30	C5AF-10349-A	SPRING - BRUSH FOR								2	
- 31	377284-S7M	SCREW - BRUSH HOLDER #6-32 FOR								1	
- 32	C5AF-10329-C	INSULATOR - FIELD - INTERNAL FOR								1	
- 33	383757S8B	STUD - FIELD TERMINAL FOR								1	
- 34	DOAF-10329-A *	INSULATOR - "BAT" - EXTERNAL (RED) FOR								1	
- 35	389745-S8	NUT & WASHER ASSY - "BAT" - 1/4-20 WHEN EXHAUSTED USE 389745 FOR								1	
- 36	S2114-1	NIPPLE ALTERNATOR "BAT" TERMINAL - EXTERNAL								1	
- 37	389744-S36 *	NUT & WASHER ASSY - #10-24 COURSE THREAD WHEN EXHAUSTED USE 389744 FOR								4	
- 38	C7AF-10329-C	INSULATOR - "FLD" - EXTERNAL FOR								1	
- 39	S2114-2	NIPPLE ALTERNATOR "FLD" TERMINAL - EXTERNAL								1	
- 40	C7AF-10329-D	INSULATOR - "STA" - EXTERNAL FOR								1	
- 41	C7A-10A349-B	HOUSING - REAR FOR MODIFIED C7A-10A349B OR WHEN EXHAUSTED MODIFIED E3AF-10A-349-AA								1	
- 42	NAS1352-4-36 †	SCREW REPLACES C8FF-10A396-A BOLT								3	
- 43	895-15600	WASHER REPLACES C8FF-10B383A RETAINER								3	
- 44	D7AF-10A384-AA	BEARING - REAR FOR								1	
- 45	S2093-2	COVER - SHAFT								1	

CONTINUED ON NEXT PAGE

FIGURE AND INDEX NO.	PART NUMBER	DESCRIPTION	UNITS PER ASSY	USABLE ON CODE
76 -		<p style="text-align: center;">1 2 3 4 5 6 7</p> <p>NOTES: *WHEN EXHAUSTED THESE KITS ARE NO LONGER SUPPLIED. INDIVIDUAL PARTS MUST BE ORDERED IN LIEU OF THE KIT. *PART OF ITEM 11 KIT UNTIL KITS ARE EXHAUSTED. †SEAL THREADS USING GRADE CV LOCKTITE CATALOG NO. 85 OR 83, OR STA-LOK CATALOG NO. 500 OR 400 RESPECTIVELY.</p> <p>A--- 188 SERIAL 188-0050 THRU 18802348 A188 SERIAL 188-0050 THRU 18803045 210 SERIAL 21059292 THRU 21059502 T210 SERIAL 21059292 THRU 21059502</p>		

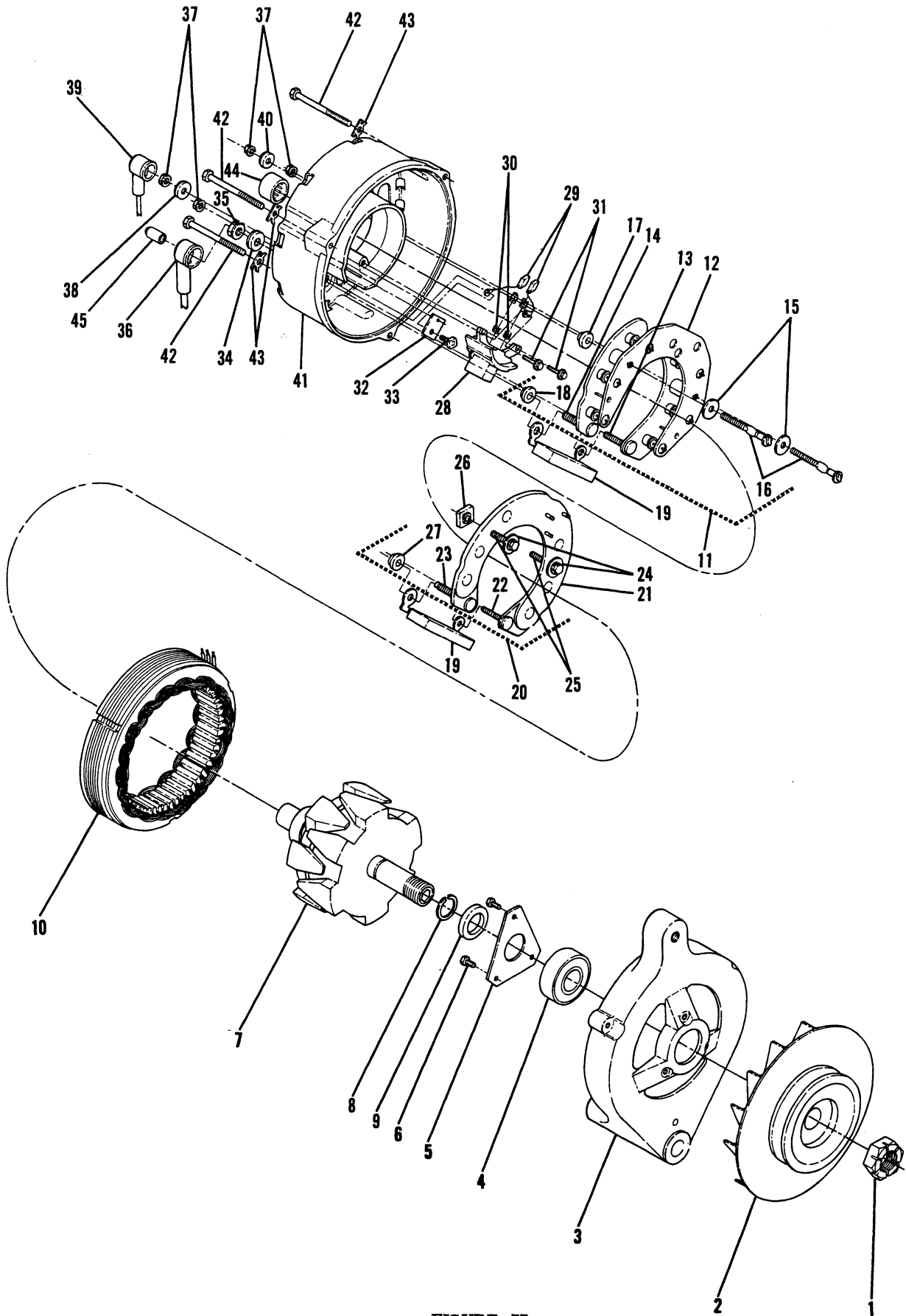


FIGURE 77

FIGURE AND INDEX NO.	PART NUMBER	DESCRIPTION	UNITS PER ASSY							USABLE ON CODE
			1	2	3	4	5	6	7	
77 -	C611503-0102	ALTERNATOR ASSEMBLY - BELT DRIVEN - 60-AMPERE - 28-VOLT TYPE DOFF-10300-B THIS ALTERNATOR SUPERSEDES AND REPLACES C611503-0101 TYPE C6FF-10300-N FOR ALL SPARES							1	A
- 1	359553-S8	NUT 5/8-18 FOR							1	
- 2	E3FF-10344-AA	FAN & PULLEY ASSY FOR							1	
- 3	D30F-10A351-AA	HOUSING - FRONT REPLACES C5AF-10A351-A WHEN EXHAUSTED FOR							1	
- 4	C3NF-10094-A	BEARING - FRONT ALTERNATE PART IS C7AF-10A303-A FOR							1	
- 5	D2OF-10A355-AA	RETAINER - FRONT BEARING FOR							1	
- 6	389217-S2	SCREWS - BEARING RETAINER FOR							3	
- 7	C6FF-10335-B	ROTOR ASSY 28 VOLT ASSY FOR							1	
- 8	C3XF-10370-A	RING - ROTOR STOP							1	
- 9	C5AF-10A360-A	STOP - ROTOR FOR							1	
- 10	D3FF-10368-AA	STATOR ASSY 28 VOLT SYSTEM REPLACES C6FF10368-B AND C6FF-10368-C WHEN EXHAUSTED FOR							1	
- 11	D2FF-10304-BA *	KIT - RECTIFIER REPLACES C6FF-10B379-A & C6FF-10B379B WHEN EXHAUSTED ALTERNATE PART IS D2FF-10B379-AA (ITEM 20) FOR							1	
- 12	DOFF-10304-B	RECTIFIER ASSY REPLACES DOFF-10304-A WHEN EX- HAUSTED FOR							1	
- 13	383759-S8B	STUD - GROUND #10-32 USED WITH ITEM 12 ONLY FOR							1	
- 14	383761-S8B	STUD - BATTERY 1/4-28 USED WITH ITEM 12 ONLY FOR							1	
- 15	374412-S100	WASHER - STEEL - CONICAL USED WITH ITEM 12 ONLY FOR ..							2	
- 16	383758-S8B	SCREW #10-24 x 1.57 USED WITH ITEM 12 ONLY FOR							2	
- 17	C7AF-10A383-A	INSULATOR - "STA" - INTERNAL (RED) FOR							1	
- 18	DOAF-10A383-A	INSULATOR - BATTERY - INTERNAL (BLACK) REPLACES C6AF-10A383-A WHEN EXHAUSTED SAME AS ITEM 27 FOR							1	
- 19	C6AF-18827-A2	CAPACITOR ALTERNATOR PART IS C6AF-18827-A3 FOR							1	
- 20	D2FF-10304-BA *	KIT - ALTERNATOR RECTIFIER - INTEGRAL ALTERNATE PART FOR DOFF-10B379-A (ITEM 11) FOR							1	
- 21	C6FF-10B379-A	RECTIFIER ASSY ALTERNATE PART FOR ITEM 12 FOR							1	
- 22	383759-S8B	STUD - "GND" TERMINAL #10-24 USED WITH ITEM 21							1	
- 23	383761-S8B	STUD - "BAT" TERMINAL 1/4-20 USED WITH ITEM 21							1	
- 24	383558-S	WASHER - INSULATING USED WITH ITEM 21 ONLY FOR							2	
- 25	383756-S8	BOLT #10-24 USED WITH ITEM 21 ONLY FOR							2	
- 26	C9SF-10A383-A	INSULATOR - STATOR - INTERNAL (SQUARE) USED WITH ITEM 21 ONLY FOR							1	
- 27	DOAF-10A383-A	INSULATOR - BATTERY - INTERNAL (BLACK) REPLACES C6AF-10A383-A WHEN EXHAUSTED SAME AS ITEM 18 FOR							1	
- 28	C5AF-10351-A	BRUSH HOLDER FOR							1	
- 29	C6FF-10B341-A *	KIT - BRUSH (INCLUDES BOTH BRUSHES) KIT CONSISTS OF EQUAL PARTS: C6FF10A367A & C6FF10A367B FOR							1	
- 30	C5AF-10349-A	SPRING - BRUSH FOR							2	
- 31	377284-S7M	SCREW - BRUSH HOLDER #6-32 FOR							1	
- 32	C5AF-10329-C	INSULATOR - FIELD - INTERNAL FOR							1	
- 33	383757S8B	STUD - FIELD TERMINAL FOR							1	
- 34	DOAF-10329-A †	INSULATOR - "BAT" - EXTERNAL (RED) FOR							1	
- 35	389745-S8	NUT & WASHER ASSY - "BAT" - 1/4-20 WHEN EXHAUSTED USE 389745 FOR							1	
- 36	S2114-1	NIPPLE ALTERNATOR "BAT" TERMINAL - EXTERNAL							1	
- 37	389744-S36 †	NUT & WASHER ASSY - #10-24 COURSE THREAD FOR							4	
- 38	C7AF-10329-C	INSULATOR - "FLD" - EXTERNAL FOR							1	
- 39	S2114-2	NIPPLE ALTERNATOR "FLD" TERMINAL - EXTERNAL							1	
- 40	C7AF-10329-D	INSULATOR - "STA" - EXTERNAL FOR							1	
- 41	D7AF-10A349-AA	HOUSING - REAR FOR MODIFIED C7A-10A349B OR WHEN EXHAUSTED MODIFIED E3AF-10A-349-AA							1	
- 42	C8FF-10A396-A	BOLT - THRU #10-24 FOR							3	
- 43	C8FF-10B383-A	RETAINER - THRU BOLT FOR							3	
- 44	D7AF-10A304-AA	BEARING - REAR FOR							1	
- 45	S2093-2	COVER - SHAFT							1	

CONTINUED ON NEXT PAGE

FIGURE AND INDEX NO.	PART NUMBER	DESCRIPTION	UNITS PER ASSY	USABLE ON CODE
77 -		<p style="text-align: center;">1 2 3 4 5 6 7</p> <p>NOTES: *WHEN EXHAUSTED, THESE KITS ARE NO LONGER SUPPLIED. INDIVIDUAL PARTS MUST BE ORDERED IN LIEU OF THE KIT. †SUPPLIED AS A PART OF ITEM 11 KIT UNTIL KITS ARE EXHAUSTED.</p> <p>A--- 152 SERIAL 15279406 & ON A152 SERIAL A1520735 & ON F152 SERIAL F15201449 & ON FA152 SERIAL FA1520337 & ON 172 SERIAL 172269310 & ON 172Q SERIAL 17275869 & ON F172 SERIAL F17201640 & ON R172 SERIAL R1722725 THRU R1723454 FR172 SERIAL FR172-0001 THRU FR17200675 172RG SERIAL 172RG0001 & ON 177 SERIAL 17702673 THRU 17702752 177RG SERIAL 177RG1267 THRU 177RG1366 180 SERIAL 18052906 THRU 18053203 182 SERIAL 18265966 & ON F182 SERIAL F18200065 THRU F18200169 R182 SERIAL R18200001 & ON FR182 SERIAL FR18200001 THRU FR18200070 T182 SERIAL 18267716 & ON TR182 SERIAL TR18200584 & ON 185 SERIAL 18503459 & ON U206 SERIAL U20601573 THRU U20604468 TU206 SERIAL U20601573 THRU U20604468 207 SERIAL 20700451 & ON T207 SERIAL 20700451 & ON 210 SERIAL 21059503 THRU 21064897 T210 SERIAL 21059503 THRU T21064897 P210 SERIAL P21000001 THRU P21000834 U-17B SERIAL 185-1251 THRU 185-1599 U-17B SERIAL 18501600 & ON</p>		

FIGURE AND INDEX NO.	PART NUMBER	DESCRIPTION	UNITS PER ASSY	USABLE ON CODE		
					1	2
77A -	C611503-0202	ALTERNATOR ASSEMBLY - BELT DRIVEN - 60-AMPERE - 28-VOLT	1	A		
- 1	359553-S8	NUT 5/8-18 FOR	1			
- 2	2650072-1	PULLEY	1			
- 3	AE-2250	FAN ASSY AERE	1			
- 4	2650083-1	SPACER	1			
- 5	EOAF-10A351-AA	HOUSING - FRONT REPLACES C5AF-10A351-A WHEN EXHAUSTED FOR	1			
- 6	C3NF-10094-A	BEARING - FRONT ALTERNATOR PART IS C7AF-10A303-A FOR	1			
- 7	D2OF-10A355-AA	RETAINER - FRONT BEARING FOR	1			
- 8	389217-S2	SCREWS - BEARING RETAINER FOR	3			
- 9	C6FF-10335-B	ROTOR ASSY 28 VOLT ASSY FOR	1			
- 10	C3XF-10370-A	RING - ROTOR STOP	1			
- 11	C5AF-10A369-A	STOP - ROTOR FOR	1			
- 12	D3FF-10368-AA	STATOR ASSY 28 VOLT SYSTEM REPLACES C6FF10368-B AND C6FF-10368-C WHEN EXHAUSTED FOR	1			
- 13	D2FF-10304-BA *	KIT - RECTIFIER REPLACES C6FF-10B379-A & C6FF-10B379B WHEN EXHAUSTED ALTERNATE PART IS D2FF-10B379-AA (ITEM 20) FOR	1			
- 14	DOFF-10304-B	RECTIFIER ASSY REPLACES DOFF-10304-A WHEN EXHAUSTED FOR	1			
- 15	383759-S8B	STUD - GROUND #10-32 USED WITH ITEM 12 ONLY FOR	1			
- 16	383761-S8B	STUD - BATTERY 1/4-28 USED WITH ITEM 12 ONLY FOR	1			
- 17	374412-S100	WASHER - STEEL - CONICAL USED WITH ITEM 12 ONLY FOR ..	2			
- 18	383758-S8B	SCREW #10-24 x 1.57 USED WITH ITEM 12 ONLY FOR	2			
- 19	C7AF-10A383-A	INSULATOR - "STA" - INTERNAL (RED) FOR	1			
- 20	DOAF-10A383-A	INSULATOR - BATTERY - INTERNAL (BLACK) REPLACES C6AF-10A383-A WHEN EXHAUSTED SAME AS ITEM 27 FOR	1			
- 21	C6AF-18827-A2	CAPACITOR ALTERNATOR PART IS C6AF-18827-A3 FOR	1			
- 22	D2FF-10384-BA *	KIT - ALTERNATOR RECTIFIER - INTEGRAL ALTERNATE PART FOR DOFF-10B379-A (ITEM 11) FOR	1			
- 23	C2FF-10B379-A	RECTIFIER ASSY ALTERNATE PART FOR ITEM 12 FOR	1			
- 24	383759-S8B	STUD - "GND" TERMINAL #10-24 USED WITH ITEM 21 ONLY FOR	1			
- 25	383761-S8B	STUD - "BAT" TERMINAL 1/4-20 USED WITH ITEM 21 ONLY FOR	1			
- 26	383558-S	WASHER - INSULATING USED WITH ITEM 21 ONLY FOR	2			
- 27	383756-S8	BOLT #10-24 USED WITH ITEM 21 ONLY FOR	2			
- 28	C9SF-10A383-A	INSULATOR - STATOR - INTERNAL (SQUARE) USED WITH ITEM 21 ONLY FOR	1			
- 29	DOAF-10A383-A	INSULATOR - BATTERY - INTERNAL (BLACK) REPLACES C6AF-10A383-A WHEN EXHAUSTED SAME AS ITEM 18 FOR	1			
- 30	C5AF-10351-A	BRUSH HOLDER FOR	1			
- 31	C6FF-10B341-A *	KIT - BRUSH (INCLUDES BOTH BRUSHES) KIT CONSISTS OF EQUAL PARTS: C6FF10A367A & C6FF10A367B FOR	1			
- 32	C5AF-10349-A	SPRING - BRUSH FOR	2			
- 33	377284-S7M	SCREW - BRUSH HOLDER #6-32 FOR	1			
- 34	C5AF-10329-C	INSULATOR - FIELD - INTERNAL FOR	1			
- 35	383757S8B	STUD - FIELD TERMINAL FOR	1			
- 36	DOAF-10329-A †	INSULATOR - "BAT" - EXTERNAL (RED) FOR	1			
- 37	389745-S8	NUT & WASHER ASSY - "BAT" - 1/4-20 WHEN EXHAUSTED USE 389745 FOR	1			
- 38	S2114-1	NIPPLE ALTERNATOR "BAT" TERMINAL - EXTERNAL	1			
- 39	389744-S36 †	NUT & WASHER ASSY - #10-24 COURSE THREAD FOR	4			
- 40	C7AF-10329-C	INSULATOR - "FLD" - EXTERNAL FOR	1			
- 41	S2114-2	NIPPLE ALTERNATOR "FLD" TERMINAL - EXTERNAL	1			
- 42	C7AF-10329-D	INSULATOR - "STA" - EXTERNAL FOR	1			
- 43	D7AF-10A349-AA	HOUSING - REAR FOR MODIFIED C7A-10A349B OR WHEN EXHAUSTED MODIFIED E3AF-10A-349-AA	1			
- 44	DIFF-10A396-AA	BOLT - THRU #10-24 FOR	3			
- 45	C8FF-10B383-A	RETAINER - THRU BOLT FOR	3			
- 46	D7AF-10A304-AA	BEARING - REAR FOR	1			
- 47	S2093-2	COVER - SHAFT	1			

CONTINUED ON NEXT PAGE

FIGURE AND INDEX NO.	PART NUMBER	DESCRIPTION	UNITS PER ASSY	USABLE ON CODE
77A -		<p style="text-align: center;">1 2 3 4 5 6 7</p> <p>NOTES: *WHEN EXHAUSTED, THESE KITS ARE NO LONGER SUPPLIED. INDIVIDUAL PARTS MUST BE ORDERED IN LIEU OF THE KIT. †SUPPLIED AS A PART OF ITEM 11 KIT UNTIL KITS ARE EXHAUSTED.</p> <p>A---U20604469 & ON 21064898 & ON T21064898 & ON P21000835 & ON</p>		

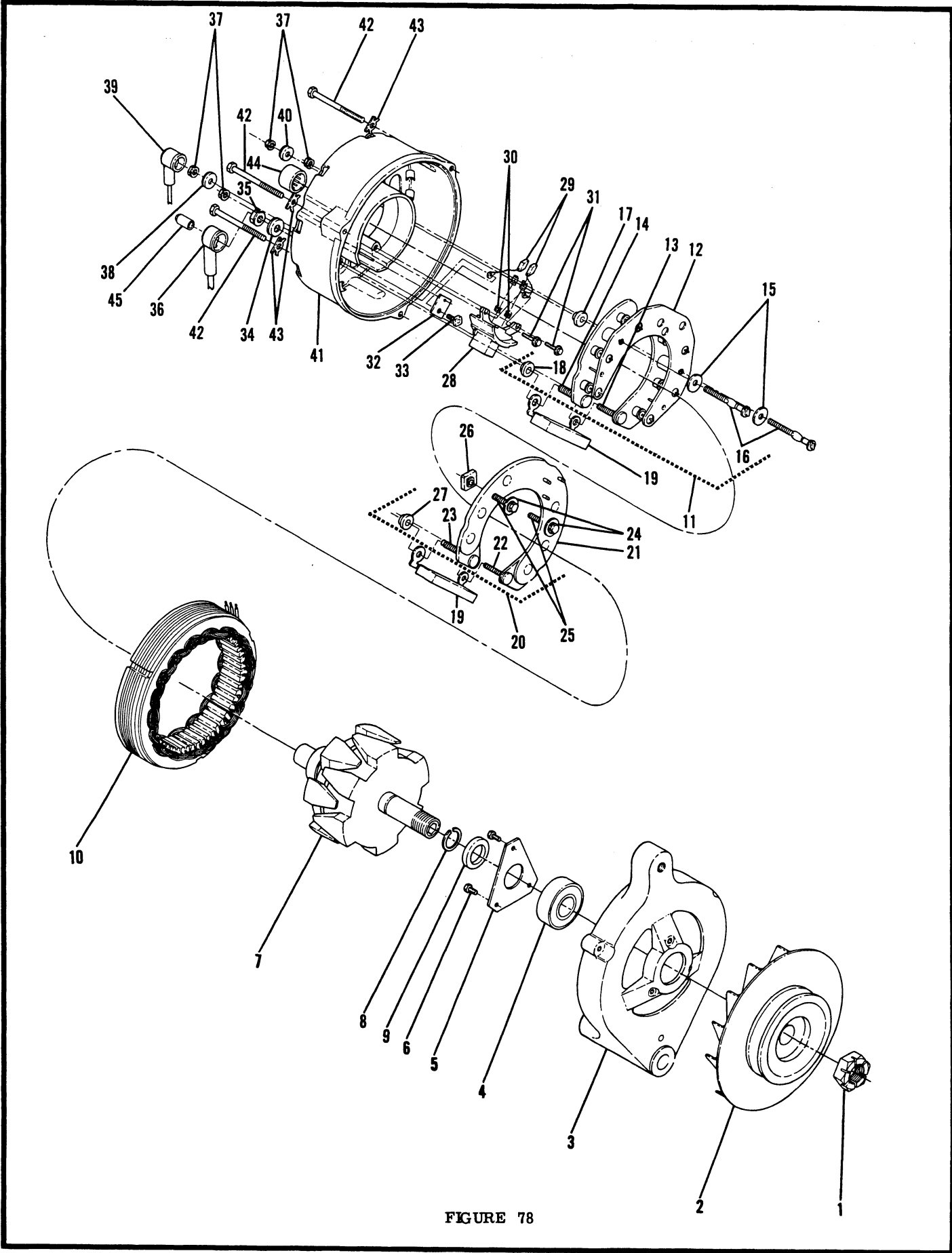


FIGURE 78

FIGURE AND INDEX NO.	PART NUMBER	DESCRIPTION	1 2 3 4 5 6 7							UNITS PER ASSY	USABLE ON CODE
78 -	C611503-0104	ALTERNATOR ASSEMBLY - BELT DRIVEN - 60-AMPERE - 28-VOLT								1	A
- 1	359553-S8	TYPE EOFF-10300-BA									
- 2	E3FF-10344-AA	NUT 5/8-18 FOR								1	
- 3	1570213-3	FAN & PULLEY ASSY FOR								1	
- 4	C3NF-10094-A	HOUSING - FRONT MODIFIED D30F-10A351-AA								1	
- 5	D20F-10A355-AA	BEARING - FRONT ALTERNATE PART IS C7AF-10A303-A FOR								1	
- 6	389217-S2	RETAINER - FRONT BEARING FOR								1	
- 7	C6FF-10335-B	SCREWS - BEARING RETAINER FOR								3	
- 8	C3XF-10370-A	ROTOR ASSY 28 VOLT ASSY FOR								1	
- 9	C5AF-10A360-A	RING - ROTOR STOP								4	
- 10	D3FF-10368-AA	STOP - ROTOR FOR								1	
- 11	C6FF-10384-BA *	STATOR ASSY 28 VOLT SYSTEM REPLACES C6FF10368-B								1	
		AND C6FF-10368-C WHEN EXHAUSTED FOR									
- 12	DOFF-10304-B	KIT - RECTIFIER REPLACES C6FF-10B379-A & C6FF-10B379B								1	
		WHEN EXHAUSTED ALTERNATE PART IS D2FF-10B379-AA									
		(ITEM 20) FOR									
- 13	383759-S8B	RECTIFIER ASSY REPLACES DOFF-10304-A WHEN EX-								1	
- 14	383761-S8B	HAUSTED FOR									
- 15	374412-S100	STUD - GROUND #10-32 USED WITH ITEM 12 ONLY FOR								1	
- 16	383758-S8B	STUD - BATTERY 1/4-28 USED WITH ITEM 12								1	
- 17	C7AF-10A383-A	ONLY FOR									
- 18	DOAF-10A383-A	WASHER - STEEL - CONICAL USED WITH ITEM 12								2	
- 19	C6AF-18827-A2	ONLY FOR									
- 20	D2FF-10304-BA *	SCREW #10-24 x 1.57 USED WITH ITEM 12 ONLY FOR								1	
- 21	C6FF-10B379-A	INSULATOR - STATOR - INTERNAL (RED) USED WITH								1	
- 22	383759-S8B	ITEM 12 ONLY FOR									
- 23	383761-S8B	INSULATOR - BATTERY - INTERNAL (BLACK) REPLACES								1	
- 24	383558-S	C6AF-10A383-A WHEN EXHAUSTED SAME AS ITEM 27 FOR									
- 25	383756-S8	CAPACITOR ALTERNATOR PART IS C6AF-18827-A3 FOR								1	
- 26	C9SF-10A383-A	KIT - ALTERNATOR RECTIFIER - INTEGRAL ALTERNATE								1	
- 27	DOAF-10A383-A	PART FOR DOFF-10B379-A (ITEM 11) FOR									
- 28	C5AF-10351-A	RECTIFIER ASSY ALTERNATE PART FOR ITEM 12 FOR								1	
- 29	C6FF-10B341-A *	STUD - "GND" TERMINAL #10-24 USED WITH ITEM 21								1	
- 30	C5AF-10349-A	ONLY FOR									
- 31	377284-S7M	STUD - "BAT" TERMINAL 1/4-20 USED WITH ITEM 21								1	
- 32	D2AF-10329-BA	ONLY FOR									
- 33	383757S8B	WASHER - INSULATING USED WITH ITEM 21 ONLY FOR								2	
- 34	DOAF-10329-A †	BOLT #10-24 USED WITH ITEM 21 ONLY FOR								2	
- 35	389745-S8	INSULATOR - STATOR - INTERNAL (SQUARE) USED WITH								1	
- 36	S2114-1	ITEM 21 ONLY FOR									
- 37	389744-S36 †	INSULATOR - BATTERY - INTERNAL (BLACK) REPLACES								1	
- 38	C7AF-10329-C	C6AF-10A383-A WHEN EXHAUSTED SAME AS ITEM 18 FOR								1	
- 39	S2114-2	BRUSH HOLDER FOR								1	
- 40	C7AF-10329-D	KIT - BRUSH (INCLUDES BOTH BRUSHES) KIT CONSISTS OF								1	
- 41	C7A-10A349-B	EQUAL PARTS: C6FF10A367A & C6FF10A367B FOR									
- 42	NAS1352-4-36	SPRING - BRUSH FOR								2	
- 43	AN936A416	SCREW - BRUSH HOLDER #6-32 FOR								1	
- 44	D7AF-10A384-AA	INSULATOR - FIELD - INTERNAL FOR								1	
- 45	S2093-2	STUD - FIELD TERMINAL FOR								1	
		INSULATOR "BAT" - EXTERNAL (RED) FOR								1	
		NUT & WASHER ASSY - "BAT" - 1/4-20 WHEN EXHAUSTED USE ...								1	
		389745 FOR									
		NIPPLE ALTERNATOR "BAT" TERMINAL - EXTERNAL								1	
		NUT & WASHER ASSY - #10-24 COURSE THREAD WHEN								4	
		EXHAUSTED USE 389744 FOR									
		INSULATOR - "FLD" - EXTERNAL FOR								1	
		NIPPLE ALTERNATOR "FLD" TERMINAL - EXTERNAL								1	
		INSULATOR - "STA" - EXTERNAL FOR								1	
		HOUSING - REAR FOR MODIFIED C7A-10A349B OR								1	
		WHEN EXHAUSTED MODIFIED E3AF-10A-349-AA									
		SCREW REPLACES C8FF-10A396-A BOLT								3	
		WASHER REPLACES C8FF-10B383A RETAINER								3	
		BEARING - REAR FOR								1	
		COVER - SHAFT								1	

CONTINUED ON NEXT PAGE

FIGURE AND INDEX NO.	PART NUMBER	DESCRIPTION	UNITS PER ASSY	USABLE ON CODE
78 -		<p style="text-align: center;">1 2 3 4 5 6 7</p> <p>NOTES: *WHEN EXHAUSTED, THESE KITS ARE NO LONGER SUPPLIED. INDIVIDUAL PARTS MUST BE ORDERED IN LIEU OF THE KIT. †SUPPLIED AS A PART OF ITEM 11 KIT UNTIL KITS ARE EXHAUSTED</p> <p>A---T303 SERIAL T30300001 & ON</p>		

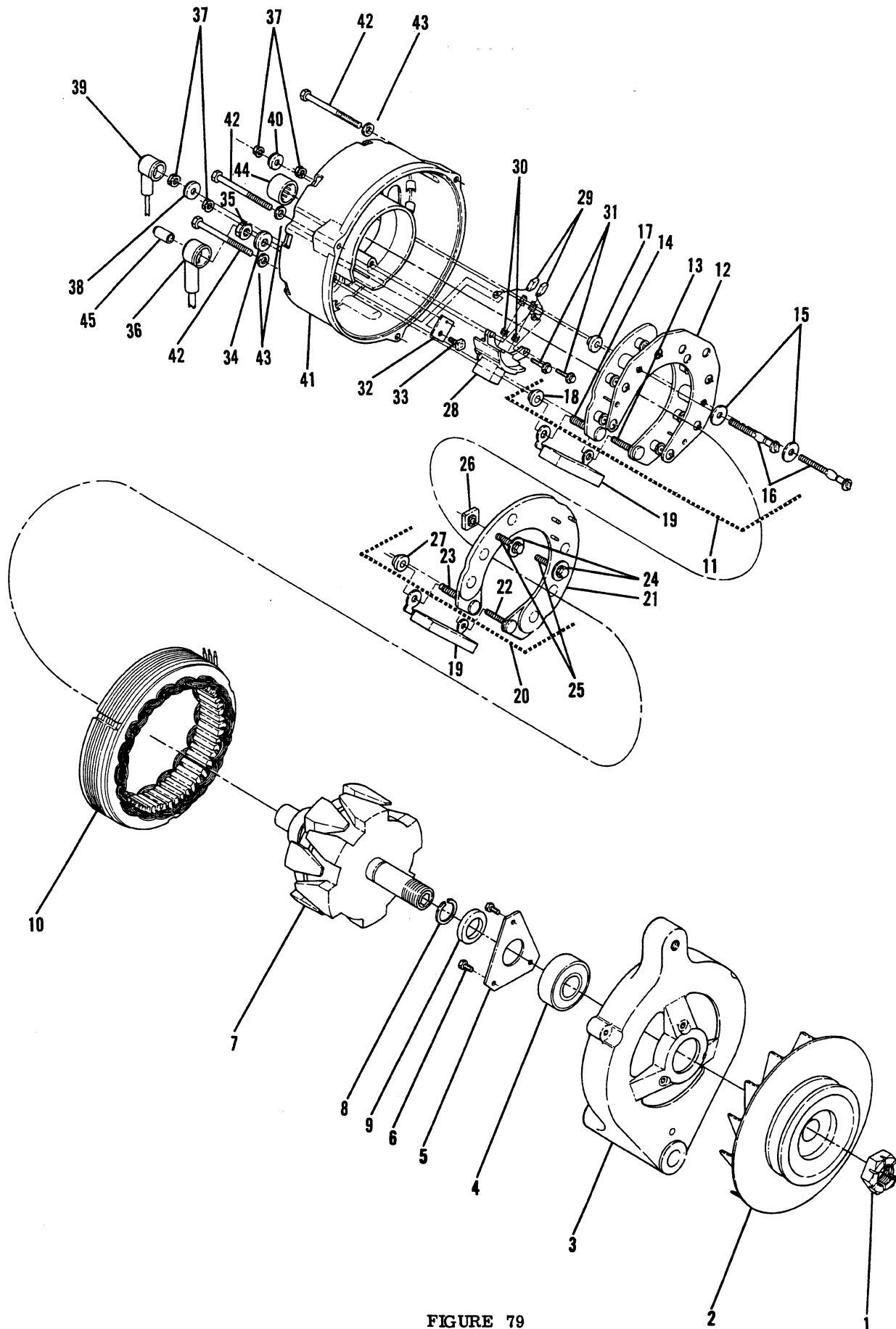


FIGURE 79

FIGURE AND INDEX NO.	PART NUMBER	DESCRIPTION	UNITS PER ASSY	USABLE ON CODE
79 -	1570213-7	ALTERNATOR ASSEMBLY - BELT DRIVEN - 60-AMPERE - 28-VOLT	1	A
- 1	359553-S8	NUT 5/8-18 FOR	1	
- 2	E3FF-10344-AA	FAN & PULLEY ASSY FOR	1	
- 3	E6DF-10A351-AA	HOUSING - FRONT	1	
- 4	C3NF-10094-A	BEARING - FRONT ALTERNATE PART IS C7AF-10A303-A FOR	1	
- 5	D20F-10A355-AA	RETAINER - FRONT BEARING FOR	1	
- 6	389217-S2	SCREWS - BEARING RETAINER FOR	3	
- 7	C6FF-10335-B	ROTOR ASSY 28 VOLT ASSY FOR	1	
- 8	C3XF-10370-A	RING - ROTOR STOP	4	
- 9	C5AF-10A360-A	STOP - ROTOR FOR	1	
- 10	D3FF-10368-AA	STATOR ASSY 28 VOLT SYSTEM REPLACES C6FF10368-B	1	
		AND C6FF-10368-C WHEN EXHAUSTED FOR		
- 11	C6FF-10B379-A *	KIT - RECTIFIER REPLACES C6FF-10B379-A & C6FF-10B379B	1	
		WHEN EXHAUSTED ALTERNATE PART IS D2FF-10B379-AA		
		(ITEM 20) FOR		
- 12	DOFF-10304-B	RECTIFIER ASSY REPLACES DOFF-10304-A WHEN EX-	1	
		HAUSTED FOR		
- 13	383759-S8B	STUD - GROUND #10-32 USED WITH ITEM 12 ONLY FOR	1	
- 14	383761-S8B	STUD - BATTERY 1/4-28 USED WITH ITEM 12	1	
		ONLY FOR		
- 15	374412-S100	WASHER - STEEL - CONICAL USED WITH ITEM 12	2	
		ONLY FOR		
- 16	383758-S8B	SCREW #10-24 x 1.57 USED WITH ITEM 12 ONLY FOR	1	
- 17	C7AF-10A383-A	INSULATOR - STATOR - INTERNAL (RED) USED WITH	1	
		ITEM 12 ONLY FOR		
- 18	DOAF-10A383-A	INSULATOR - BATTERY - INTERNAL (BLACK) REPLACES	1	
		C6AF-10A383-A WHEN EXHAUSTED SAME AS ITEM 27 FOR		
- 19	C6AF-18827-A2	CAPACITOR ALTERNATOR PART IS C6AF-18827-A3 FOR	1	
- 20	D2FF-10304-BA *	KIT - ALTERNATOR RECTIFIER - INTEGRAL ALTERNATE	1	
		PART FOR DOFF-10B379-A (ITEM 11) FOR		
- 21	C6FF-10B379A	RECTIFIER ASSY ALTERNATE PART FOR ITEM 12 FOR	1	
- 22	383759-S8B	STUD - "GND" TERMINAL #10-24 USED WITH ITEM 21	1	
		ONLY FOR		
- 23	383761-S8B	STUD - "BAT" TERMINAL 1/4-20 USED WITH ITEM 21	1	
		ONLY FOR		
- 24	383558-S	WASHER - INSULATING USED WITH ITEM 21 ONLY FOR	2	
- 25	383756-S8	BOLT #10-24 USED WITH ITEM 21 ONLY FOR	2	
- 26	C9SF-10A383-A	INSULATOR - STATOR - INTERNAL (SQUARE) USED WITH	1	
		ITEM 21 ONLY FOR		
- 27	DOAF-10A383-A	INSULATOR - BATTERY - INTERNAL (BLACK) REPLACES	1	
		C6AF-10A383-A WHEN EXHAUSTED SAME AS ITEM 18 FOR		
- 28	C5AF-10351-A	BRUSH HOLDER FOR	1	
- 29	C6FF-10B341-A *	KIT - BRUSH (INCLUDES BOTH BRUSHES) KIT CONSISTS OF	1	
		EQUAL PARTS: C6FF10A367A & C6FF10A367B FOR		
- 30	C5AF-10349-A	SPRING - BRUSH FOR	2	
- 31	377284-S7M	SCREW - BRUSH HOLDER #6-32 FOR	1	
- 32	D2AF-10329-BA	INSULATOR - FIELD - INTERNAL FOR	1	
- 33	383757S8B	STUD - FIELD TERMINAL FOR	1	
- 34	DOAF-10329-A *	INSULATOR - "BAT" - EXTERNAL (RED) FOR	1	
- 35	389745-S8	NUT & WASHER ASSY - "BAT" - 1/4-20 WHEN EXHAUSTED USE ...	1	
		389745 FOR		
- 36	S2114-1	NIPPLE ALTERNATOR "BAT" TERMINAL - EXTERNAL	1	
- 37	389744-S36	NUT & WASHER ASSY - #10-24 COURSE THREAD WHEN	4	
		EXHAUSTED USE 389744 FOR		
- 38	C7AF-10329-C	INSULATOR - "FLD" - EXTERNAL FOR	1	
- 39	S2114-2	NIPPLE ALTERNATOR "FLD" TERMINAL - EXTERNAL	1	
- 40	C7AF-10329-D	INSULATOR - "STA" - EXTERNAL FOR	1	
- 41	C7A-10A349-B	HOUSING - REAR FOR MODIFIED C7A-10A349B OR	1	
		WHEN EXHAUSTED MODIFIED E3AF-10A-349-AA		
- 42	NAS1352-4-36 †	SCREW REPLACES C8FF-10A396-A BOLT	3	
- 43	AN936A416	WASHER REPLACES C8FF-10B383A RETAINER	3	
- 44	D7AF-10A384-AA	BEARING - REAR FOR	1	
- 45	S2093-2	COVER - SHAFT	1	

CONTINUED ON NEXT PAGE

FIGURE AND INDEX NO.	PART NUMBER	DESCRIPTION	UNITS PER ASSY	USABLE ON CODE
79 -		<p style="text-align: center;">1 2 3 4 5 6 7</p> <p>NOTES: *WHEN EXHAUSTED, THESE KITS ARE NO LONGER SUPPLIED. INDIVIDUAL PARTS MUST BE ORDERED IN LIEU OF THE KIT. ★SUPPLIED AS A PART OF ITEM 11 KIT UNTIL KITS ARE EXHAUSTED. †SEAL THREADS USING GRADE CV LOCKTITE CATALOG NO. 85 OR 83, OR STA-LOK CATALOG NO. 500 OR 400 RESPECTIVELY.</p> <p>A--- 188 SERIAL 188-0318 THRU 18802348 A188 SERIAL 188-0318 & ON T188C SERIAL 18803327T & ON 207 SERIAL 20700228 THRU 20700450 T207 SERIAL 20700228 THRU 20700450</p>		

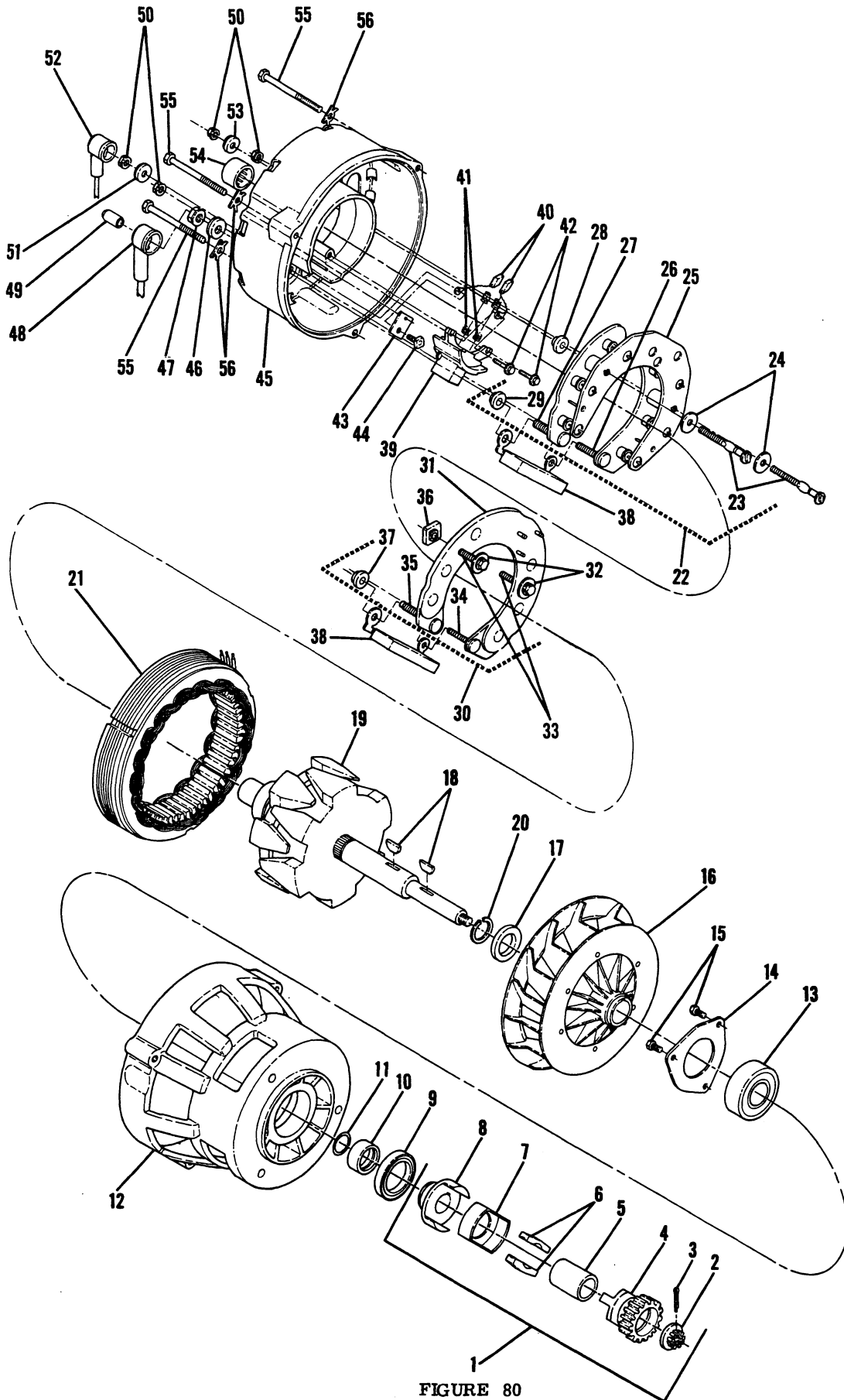


FIGURE 80

FIGURE AND INDEX NO.	PART NUMBER	DESCRIPTION	UNITS PER ASSY	USABLE ON CODE
80 -	C611501-0204	ALTERNATOR ASSEMBLY - GEAR DRIVEN - 60 AMPERE - 15 VOLT --- TYPE DOFF-10300-F SUPPLIED WITHOUT ITEM 1 DRIVE KIT THIS ALTERNATOR SUPERSEDES AND REPLACES C611501-0201 TYPE C6FF-10300-C, C611501-0202 TYPE C6FF-10300-L, AND C611501-0203 TYPE DOFF-10300-H FOR ALL SPARES FOR KIT - DRIVE CMC -----	1	A
- 1	EQ-6558	NUT - SHOULDERED, SLOTTED 5/16-24 CMC -----	1	
- 2	530412	PIN - COTTER 1/16 DIA. x 3/4 IN. CMC-----	1	
- 3	AN381258	GEAR - ALTERNATOR DRIVE CMC -----	1	
- 4	531325	SLEEVE - ALTERNATOR COUPLING STEEL CMC -----	1	
- 5	530407	BUSHING - ALTERNATOR DRIVE COUPLING CMC-----	2	
- 6	632050	RETAINER - COUPLING DISC CMC -----	1	
- 7	352030	HUB - ALTERNATOR COUPLING CMC-----	1	
- 8	530406	SEAL - DRIVE FOR -----	1	
- 9	C6FF-10B346-A	SPACER - DRIVE GEAR FOR -----	1	
- 10	C6FF-10B343-A	"O" RING FOR -----	1	
- 11	87033-S94	HOUSING - ALTERNATOR FRONT FOR -----	1	
- 12	C6FF-10A351-A	BEARING - ALTERNATOR FRONT REPLACES C6FF-10A303-A --- WHEN EXHAUSTED FOR	1	
- 13	C9ZF-10A303-A1	RETAINER - BEARING FRONT FOR -----	1	
- 14	C5AF-10A355-A	SCREW FOR -----	3	
- 15	379201S2	FAN ASSY - ALTERNATOR FOR -----	1	
- 16	C6FF-10A310-A	STOP - ROTOR FOR -----	1	
- 17	C5AF-10A360-A	WOODRUFF KEY FOR -----	2	
- 18	74171S	ROTOR ASSY - ALTERNATE 15 VOLT - 60 AMP ONLY FOR ---	1	
- 19	C6FF-10335-C	RING - ROTOR STOP FOR -----	1	
- 20	C3XF-10370-A	STATOR & COIL ASSEMBLY 15 VOLT - 60 AMP ONLY ----- REPLACES C6FF-10368-B AND C6FF-10368-C WHEN EXHAUSTED FOR	1	
- 21	D3FF-10368-AA	KIT - ALTERNATOR RECTIFIER REPLACES C6FF-10B379-A & --- C6FF-10B379-B WHEN EXHAUSTED ALTERNATE PART IS D2FF-10B379-AA (ITEM 30) FOR	1	
- 22	DOFF-10B379-A *	SCREW - #10-24 X 1.57 USED WITH ITEM 25 ONLY FOR -----	2	
- 23	383758-S8B	WASHER - STEEL CONICAL USED WITH ITEM 25 -----	2	
- 24	374412-S100	ONLY FOR		
- 25	DOFF-10304-B	RECTIFIER ASSY REPLACES DOFF-10304A WHEN ----- EXHAUSTED FOR	1	
- 26	383759-S8B	STUD - "GND" TERMINAL #10-24 USED WITH ITEM 25 -----	1	
- 27	383761-S8B	ONLY FOR		
- 28	C7AF-10A383-A	STUD - "BAT" TERMINAL 1/4-20 USED WITH ITEM 25 -----	1	
- 29	DOAF-10A383-A	ONLY FOR		
- 30	D2FF-10B379-AA *	INSULATOR - STATOR - INTERNAL (RED) USED WITH ----- ITEM 25 ONLY FOR	1	
- 31	D2FF-10304-BA	INSULATOR - BATTERY - INTERNAL (BLACK) REPLACES ----- C6AF-10A383-A WHEN EXHAUSTED SAME AS ITEM 37 FOR	1	
- 32	383558-S	KIT - ALTERNATOR RECTIFIER - INTEGRAL ALTERNATE----- PART FOR DOFF-10B379-A (ITEM 22) FOR	1	
- 33	383756-S8	RECTIFIER ASSY ALTERNATE PART FOR ITEM 25 FOR	1	
- 34	383759-S8B	WASHER - INSULATING USED WITH ITEM 31 ONLY FOR ---	2	
- 35	383761-S8B	BOLT - #10-24 USED WITH ITEM 31 ONLY FOR -----	2	
- 36	C9SF-10A383-A	STUD - "GND" TERMINAL #10-24 USED WITH ITEM 31-----	1	
- 37	DOAF-10A383-A	ONLY FOR		
- 38	C6AF-18827-A2	STUD - "BAT" TERMINAL 1/4-20 USED WITH ITEM 31 -----	1	
- 39	C5AF-10351-A	ONLY FOR		
- 40	C6FF-10B341-A *	INSULATOR - STATOR - INTERNAL (SQUARE) USED WITH ---- ITEM 31 ONLY FOR	1	
- 41	C5AF-10349-A	INSULATOR - BATTERY - INTERNAL (BLACK) REPLACES ----- C6AF-10A383-A WHEN EXHAUSTED SAME AS ITEM 29 FOR	1	
		CAPACITOR ALTERNATE PART IS C6AF-18827-A3 FOR -----	1	
		BRUSH HOLDER FOR -----	1	
		KIT - BRUSH (INCLUDES BOTH BRUSHES) KIT CONSISTS OF ----- EQUAL PARTS: C6FF10A367A & C6FF10A367B FOR	1	
		SPRING - BRUSH FOR -----	1	

CONTINUED ON NEXT PAGE

FIGURE AND INDEX NO.	PART NUMBER	DESCRIPTION							UNITS PER ASSY	USABLE ON CODE
		1	2	3	4	5	6	7		
80 - 42	377284-S7								2	
- 43	C5AF-10329-C								1	
- 44	383757S8B								1	
- 45	C7AF-10A349-B								1	
- 46	DOAF-10329-A	†							1	
- 47	383256-S8								1	
- 48	S2114-1								1	
- 49	S2093-2								1	
- 50	383255-S8	†							4	
- 51	C7AF-10329-C								1	
- 52	S2114-2								1	
- 53	C7AF-10329-D								1	
- 54	C5AF-10A304-A								1	
- 55	DIFF-10A396-AA								3	
- 56	C8FF-10B383-A								3	
<p>NOTES:</p> <p>★WHEN EXHAUSTED, THESE KITS ARE NO LONGER SUPPLIED. INDIVIDUAL PARTS MUST BE ORDERED IN LIEU OF THE KIT. †SUPPLIED AS A PART OF ITEM 22 KIT UNTIL KITS ARE EXHAUSTED.</p> <p>A--- 150 SERIAL 15064533 THRU 15079405 F150 SERIAL F150-0068 THRU F15001428 A150 SERIAL A1500001 THRU A15000734 FA150 SERIAL FA1500001 THRU FA1500336 172 SERIAL 17253903 THRU 17256512 F172 SERIAL F172-0320 THRU F17200804 R172 SERIAL R1722000 THRU R1722724 FR172 SERIAL FR172-0001 THRU FR17200620 T-41C SERIAL R172-0257 THRU R172-0301 T-41C SERIAL R17200426 THRU R17200432</p>										

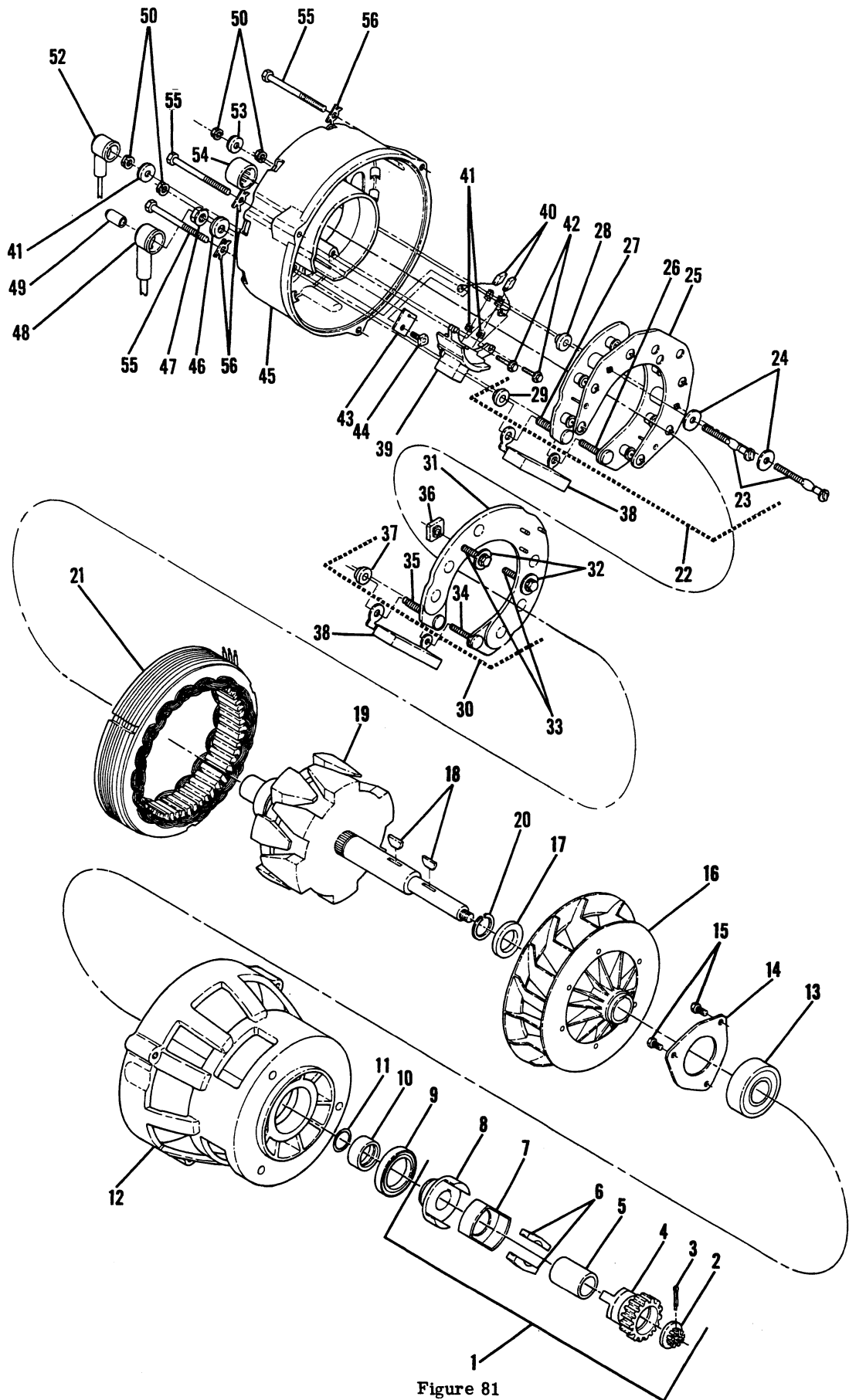


Figure 81

FIGURE AND INDEX NO.	PART NUMBER	DESCRIPTION	UNITS PER ASSY							USABLE ON CODE
			1	2	3	4	5	6	7	
81 -	C611502-0204	ALTERNATOR ASSEMBLY - GEAR DRIVEN - 38 AMPERE - 28 VOLT--- TYPE DOFF-10300-E SUPPLIED WITHOUT ITEM 1 DRIVE KIT. THIS ALTERNATOR SUPERSEDES AND REPLACES C611502-0201 TYPE C6FF-10300-D, C611502-0202 TYPE C6FF-10300-M, AND C611502-0203 TYPE DOFF-10300-G FOR ALL SPARES FOR KIT - DRIVE CMC -----							1	A
- 1	EQ-6558	NUT - SHOULDERED, SLOTTED 5/16-24 CMC -----							1	
- 2	530412	PIN - COTTER 1/16 DIA. x 3/4 IN. CMC -----							1	
- 3	AN381258	GEAR - ALTERNATOR DRIVE CMC -----							1	
- 4	531325	SLEEVE - ALTERNATOR COUPLING STEEL CMC -----							1	
- 5	530407	BUSHING - ALTERNATOR DRIVE COUPLING CMC -----							1	
- 6	632050	RETAINER - COUPLING DISC CMC -----							2	
- 7	352030	HUB - ALTERNATOR COUPLING CMC -----							1	
- 8	530406	SEAL - DRIVE FOR -----							1	
- 9	C6FF-10B346-A	SPACER - DRIVE GEAR FOR -----							1	
-10	C6FF-10B343-A	"O" RING FOR -----							1	
-11	87033-S94	HOUSING - ALTERNATOR FRONT FOR -----							1	
-12	C6FF-10A351-A	BEARING - ALTERNATOR FRONT REPLACES C6FF-10A303-A --- WHEN EXHAUSTED FOR							1	
-13	C9ZF-10A303-A1	RETAINER - BEARING FRONT FOR -----							1	
-14	C5AF-10A355-A	SCREW FOR -----							3	
-15	379201S2	FANASSY - ALTERNATOR FOR -----							1	
-16	C6FF-10A310-A	STOP - ROTOR FOR -----							1	
-17	C5AF-10A360-A	WOODRUFF KEY FOR							2	
-18	74171S	ROTOR ASSY - ALTERNATOR 28 VOLT - 38 AMP ONLY FOR ---							1	
-19	C6FF-10335-D	RING - ROTOR STOP FOR -----							1	
-20	C3XF-10370-A	STATOR & COIL ASSEMBLY 28 VOLT - 38 AMP ONLY REPLAC- CES C6FF-10368-A AND C6FF-10368-D WHEN EXHAUSTED FOR							1	
-21	D3FF-10368-BA	KIT - ALTERNATOR RECTIFIER REPLACES C6FF-10B379-A --- & C6FF-10B379-B WHEN EXHAUSTED ALTERNATE PART IS D2FF-10B379AA (ITEM 30) FOR							1	
-22	DOFF-10B379-A *	SCREW - #10-24 X 1.57 USED WITH ITEM 25 ONLY FOR ----							2	
-23	383758-S8B	WASHER - STEEL CONICAL USED WITH ITEM 25 ONLY FOR -							2	
-24	374412-S100	RECTIFIER ASSY REPLACES DOFF-10304-A WHEN ----- EXHAUSTED FOR							1	
-25	DOFF-10304-B	STUD - "GND" TERMINAL #10-24 USED WITH ITEM 25 ----- ONLY FOR							1	
-26	383759-S8B	STUD - "BAT" TERMINAL 1/4-20 USED WITH ITEM 25 ----- ONLY FOR							1	
-27	383761-S8B	INSULATOR - STATOR - INTERNAL (RED) USED WITH ITEM 25 - ONLY FOR							1	
-28	C7AF-10A383-A	INSULATOR - BATTERY - INTERNAL (BLACK) REPLACES ----- C6AF-10A383-A WHEN EXHAUSTED SAME AS ITEM 37 FOR							1	
-29	DOAF-10A383-2	KIT - ALTERNATOR RECTIFIER - INTEGRAL ALTERNATE ----- PART FOR DOFF-10B379-A (ITEM 22) FOR							1	
-30	D2FF-10B379-AA *	RECTIFIER ASSY ALTERNATE PART FOR ITEM 25 FOR ----							1	
-31	D2FF-10304-BA	WASHER - INSULATING USED WITH ITEM 31 ONLY FOR ---							2	
-32	383558-S	BOLT #10-24 USED WITH ITEM 31 ONLY FOR -----							2	
-33	383756-S8	STUD - "GND" TERMINAL #10-24 USED WITH ITEM 31 ----- ONLY FOR							1	
-34	383759-S8B	STUD - "BAT" TERMINAL 1/4-20 USED WITH ITEM 31 ----- ONLY FOR							1	
-35	383761-S8B	INSULATOR - STATOR - INTERNAL (SQUARE) USED WITH----- ITEM 31 ONLY FOR							1	
-36	C9SF-10A383-A	INSULATOR - BATTERY - INTERNAL (BLACK) REPLACES ----- C6AF-10A383-A WHEN EXHAUSTED SAME AS ITEM 29 FOR							1	
-37	DOAF-10A383-A	CAPACITOR ALTERNATE PART IS C6AF-18827-A3 FOR -----							1	
-38	C6AF-18827-A2	BRUSH HOLDER FOR -----							1	
-39	C5AF-10351-A	KIT - BRUSH (INCLUDES BOTH BRUSHES) KIT CONSISTS OF ----- EQUAL PARTS: C6FF10A367A & C6FF10A367B FOR							1	
-40	C6FF-10B341-A *	SPRING - BRUSH FOR -----							1	
-41	C5AF-10349-A	SCREW - BRUSH HOLDER FOR -----							2	
-42	377284-S7	INSULATOR - FIELD - INTERNAL FOR -----							1	
-43	C5AF-10329-C	STUD - "FLD" TERMINAL #10-24 FOR -----							1	
-44	383757S8B	HOUSING REAR WHEN EXHAUSTED USE ----- E3AF-10A-349-AA FOR							1	
-45	C7AF-10A349-B								1	

CONTINUED ON NEXT PAGE

FIGURE AND INDEX NO.	PART NUMBER		DESCRIPTION							UNITS PER ASSY	USABLE ON CODE
			1	2	3	4	5	6	7		
81 - 46	DOAF-10329-A	★								1	
- 47	383256-S8									1	
- 48	S2114-1									1	
- 49	S2093-2									1	
- 50	383255-S8	★								4	
- 51	C7AF-10329-C									1	
- 52	S2114-2									1	
- 53	C7AF-10329-D									1	
- 54	C5AF-10A304-A									1	
- 55	DIFF-10A396-AA									3	
- 56	C8FF-10B383-A									3	
<p>NOTES:</p> <p>*WHEN EXHAUSTED, THESE KITS ARE NO LONGER SUPPLIED. INDIVIDUAL PARTS MUST BE ORDERED IN LIEU OF THE KIT.</p> <p>★SUPPLIED AS A PART OF ITEM 22 KIT UNTIL KITS ARE EXHAUSTED</p> <p>A---T-41B SERIAL R172-0001 THRU R172-0255 T-41D SERIAL R172-0302 THRU R172-0392 T-41D SERIAL R17200410 THRU R17200425 T-41D SERIAL R17200433 & ON R1722725 THRU R1723454 FR17200621 THRU FR17200675</p>											

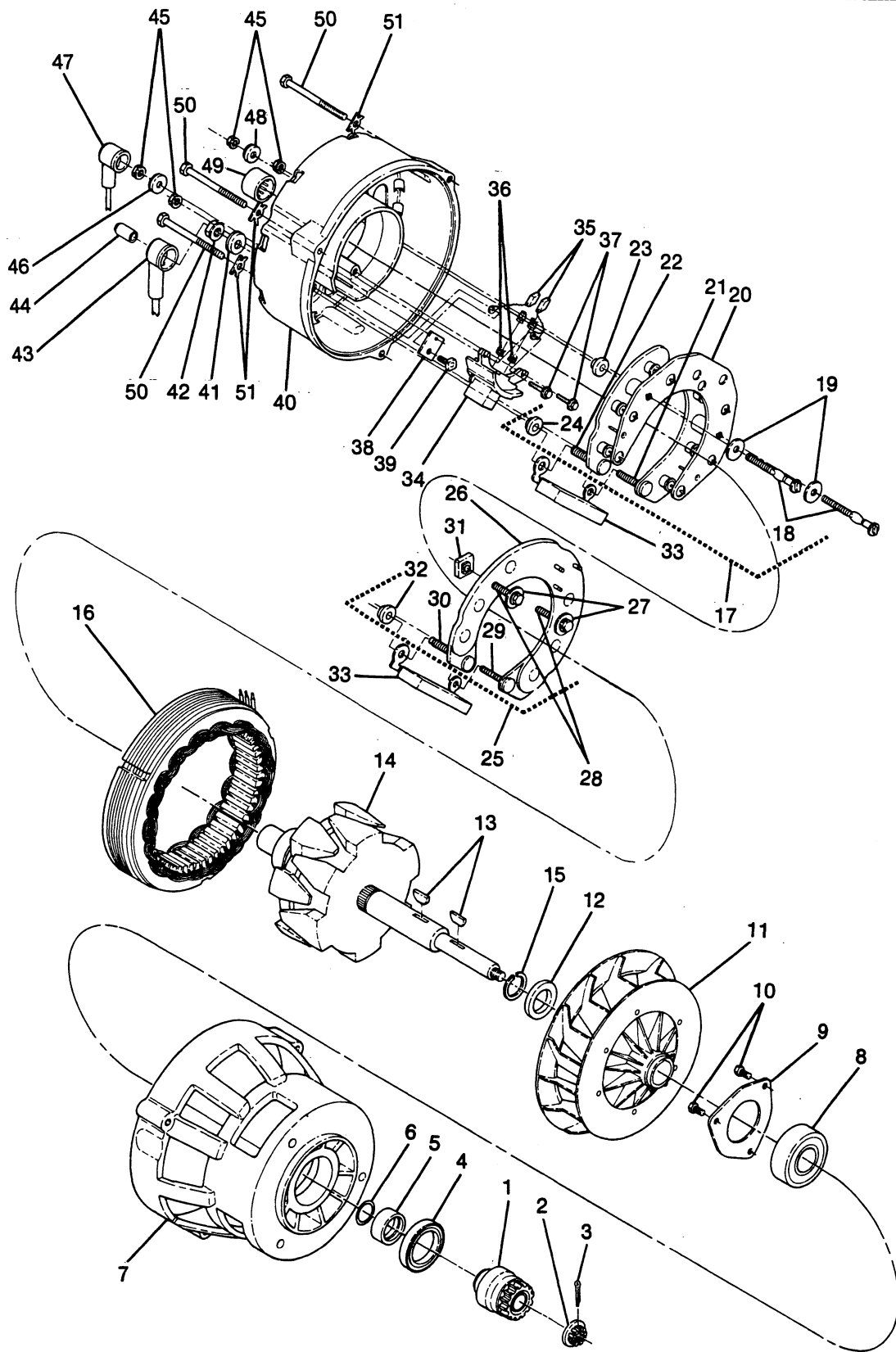


Figure 82

FIGURE AND INDEX NO.	PART NUMBER	DESCRIPTION	1 2 3 4 5 6 7							UNITS PER ASSY	USABLE ON CODE
			1	2	3	4	5	6	7		
82 -	C611502-0204	ALTERNATOR ASSEMBLY - GEAR DRIVEN - 38 AMPERE - 28 VOLT--- TYPE DOFF-10300-E SUPPLIED WITHOUT ITEM 1 DRIVE KIT. THIS ALTERNATOR SUPERSEDES AND REPLACES C611502-0201 TYPE C6FF-10300-D, C611502-0202 TYPE C6FF-10300-M, AND C611502-0203 TYPE DOFF-10300-G FOR ALL SPARES FOR								1	A
- 1	635796	KIT - DRIVE CMC -----								1	
- 2	530412	NUT - SHOULDERED, SLOTTED 5/16-24 CMC -----								1	
- 3	AN381258	PIN - COTTER 1/16 DIA. x 3/4 IN. CMC -----								1	
- 4	C6FF-10B346-A	SEAL - DRIVE FOR -----								1	
- 5	C6FF-10B343-A	SPACER - DRIVE GEAR FOR -----								1	
- 6	87033-S94	"O" RING FOR -----								1	
- 7	C6FF-10A351-A	HOUSING - ALTERNATOR FRONT FOR -----								1	
- 8	C9ZF-10A303-A1	BEARING - ALTERNATOR FRONT REPLACES C6FF-10A303-A --- WHEN EXHAUSTED FOR								1	
- 9	C5AF-10A355-A	RETAINER - BEARING FRONT FOR-----								3	
-10	379201S2	SCREW FOR -----								1	
-11	C6FF-10A310-A	FANASSY - ALTERNATOR FOR -----								2	
-12	C5AF-10A360-A	STOP - ROTOR FOR -----								1	
-13	74171S	WOODRUFF KEY FOR -----								1	
-14	C6FF-10335-D	ROTOR ASSY - ALTERNATOR 28 VOLT - 38 AMP ONLY FOR---								1	
-15	C3XF-10370-A	RING - ROTOR STOP FOR -----								1	
-16	D3FF-10368-BA	STATOR & COIL ASSEMBLY 28 VOLT - 38 AMP ONLY REPLAC- CES C6FF-10368-A AND C6FF-10368-D WHEN EXHAUSTED FOR								1	
-17	DOFF-10B379-A *	KIT - ALTERNATOR RECTIFIER REPLACES C6FF-10B379-A ---- & C6FF-10B379-B WHEN EXHAUSTED ALTERNATE PART IS D2FF-10B379AA (ITEM 30) FOR								2	
-18	383758-S8B	SCREW - #10-24 X 1.57 USED WITH ITEM 25 ONLY FOR ----								1	
-19	374412-S100	WASHER - STEEL CONICAL USED WITH ITEM 25 ONLY FOR-								1	
-20	DOFF-10304-B	RECTIFIER ASSY REPLACES DOFF-10304-A WHEN ----- EXHAUSTED FOR								1	
-21	383759-S8B	STUD - "GND" TERMINAL #10-24 USED WITH ITEM 25 ----- ONLY FOR								1	
-22	383761-S8B	STUD - "BAT" TERMINAL 1/4-20 USED WITH ITEM 25 ----- ONLY FOR								1	
-23	C7AF-10A383-A	INSULATOR - STATOR - INTERNAL (RED) USED WITH ITEM 25- ONLY FOR								1	
-24	DOAF-10A383-2	INSULATOR - BATTERY - INTERNAL (BLACK) REPLACES ----- C6AF-10A383-A WHEN EXHAUSTED SAME AS ITEM 37 FOR								1	
-25	D2FF-10B379-AA *	KIT - ALTERNATOR RECTIFIER - INTEGRAL ALTERNA TE ----- PART FOR DOFF-10B379-A (ITEM 22) FOR								1	
-26	D2FF-10304-BA	RECTIFIER ASSY ALTERNATE PART FOR ITEM 25 FOR-----								2	
-27	383558-S	WASHER - INSULATING USED WITH ITEM 31 ONLY FOR---								1	
-28	383756-S8	BOLT #10-24 USED WITH ITEM 31 ONLY FOR-----								1	
-29	383759-S8B	STUD - "GND" TERMINAL #10-24 USED WITH ITEM 31 ----- ONLY FOR								1	
-30	383761-S8B	STUD - "BAT" TERMINAL 1/4-20 USED WITH ITEM 31 ----- ONLY FOR								1	
-31	C9SF-10A383-A	INSULATOR - STATOR - INTERNAL (SQUARE) USED WITH----- ITEM 31 ONLY FOR								1	
-32	DOAF-10A383-A	INSULATOR - BATTERY - INTERNAL (BLACK) REPLACES ----- C6AF-10A383-A WHEN EXHAUSTED SAME AS ITEM 29 FOR								1	
-33	C6AF-18827-A2	CAPACITOR ALTERNATE PART IS C6AF-18827-A3 FOR-----								1	
-34	C5AF-10351-A	BRUSH HOLDER FOR -----								1	
-35	C6FF-10B341-A *	KIT - BRUSH (INCLUDES BOTH BRUSHES) KIT CONSISTS OF ----- EQUAL PARTS: C6FF10A367A & C6FF10A367B FOR								1	
-36	C5AF-10349-A	SPRING - BRUSH FOR -----								2	
-37	377284-S7	SCREW - BRUSH HOLDER FOR -----								1	
-38	C5AF-10329-C	INSULATOR - FIELD - INTERNAL FOR-----								1	
-39	383757S8B	STUD - "FLD" TERMINAL #10-24 FOR -----								1	
-40	C7AF-10A349-B	HOUSING REAR WHEN EXHAUSTED USE ----- E3AF-10A-349-AA FOR								1	

CONTINUED ON NEXT PAGE

FIGURE AND INDEX NO.	PART NUMBER		DESCRIPTION							UNITS PER ASSY	USABLE ON CODE
			1	2	3	4	5	6	7		
82 -41	DQAF-10329-A	★	INSULATOR - "BAT" - EXTERNAL (RED)	FOR	-----					1	
-42	383256-S8		NUT & WASHER ASSY - "BAT" - 1/4-20	WHEN EXHAUSTED USE--						1	
			389745	FOR							
-43	S2114-1		NIPPLE ALTERNATOR "BAT" TERMINAL - EXTERNAL	-----						1	
-44	S2093-2		COVER - SHAFT	FOR	-----					1	
-45	383255-S8	★	NUT & WASHER ASSY - #10-24 COURSE THREAD	WHEN	-----					4	
			EXHAUSTED USE 389744	FOR							
-46	C7AF-10329-C		INSULATOR - "FLD" - EXTERNAL	FOR	-----					1	
-47	S2114-2		NIPPLE ALTERNATOR "FLD" TERMINAL - EXTERNAL	-----						1	
-48	C7AF-10329-D		INSULATOR - "STA" EXTERNAL	FOR	-----					1	
-49	C5AF-10A304-A		BEARING - REAR	FOR	-----					1	
-50	DIFF-10A396-AA		BOLT - THRU #10-24	FOR	-----					3	
-51	C8FF-10B383-A		RETAINER - THRU BOLT	FOR	-----					3	
NOTES:											
*WHEN EXHAUSTED, THESE KITS ARE NO LONGER SUPPLIED. INDIVIDUAL PARTS MUST BE ORDERED IN LIEU OF THE KIT.											
★SUPPLIED AS A PART OF ITEM 22 KIT UNTIL KITS ARE EXHAUSTED											
A---337 SERIAL 337-0001 THRU 33701951											
F337 SERIAL F33700001 THRU F33700086											
T337 SERIAL 337-0526 THRU 33701398											
FT337 SERIAL F3370001 THRU F33700045											
T337 SERIAL 33701814 THRU 33701951											
T337 SERIAL P3370001 THRU P3370292											
FT337 SERIAL FP3370001 THRU FP3370022											
P337 SERIAL P3370293 THRU P3370356											
FP337 SERIAL FP3370023											